

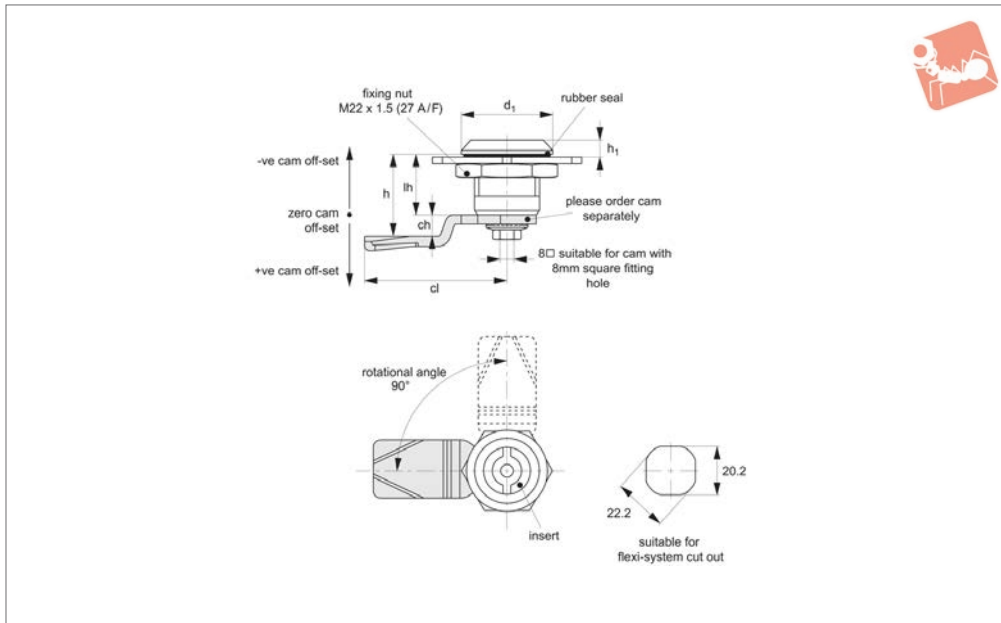


# Cam Latches - Flexi-System

insert driver - fixed grip - zinc



## Cam Latches



## A1003

CAM LATCHES

### Material

Body & insert: die cast zinc. Finished in chrome plate or black powder coating. Insert fitted with O'ring to achieve IP54 rating. Internal spring provides 1,5mm torsion.

**Supplied with:** Nut: steel, zinc plated. Sealing washer: PU and rubber.

**Not supplied:** CAM nor KEY - order separately.

### Technical Notes

Order cam and key separately.

**Cams:** see suitable cam A0203, A0224 and A0240. Select „without projection“ cam type.

Dimensions ch and cl relate to cam. Use formula to calculate ch (required cam off-set), and refer to cam selection chart;

**ch = h - lh** where;

**ch** = required cam off-set/height.

**h** = grip length (distance between inside of latch face and front of cam).

**lh** = body length of cam latch/lock to be used (see product table below).

**Keys:** see A0102.

**Rods & Guides:** to achieve 3-point latching - A0303, A0321, A0325.






### Important Notes







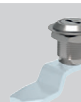


Extended body version - A1251.

Sold subject to pack quantity.

Order No.	Finish	Insert driver	d <sub>1</sub>	h <sub>1</sub>	lh
A1003.AW0010	Chrome Plated	Square 7	28	6	18
A1003.AW0310	Black Coated	Square 7	28	6	18
A1003.AW0020	Chrome Plated	Square 8	28	6	18
A1003.AW0320	Black Coated	Square 8	28	6	18
A1003.AW0040	Chrome Plated	Triangle 7	28	6	18
A1003.AW0340	Black Coated	Triangle 7	28	6	18
A1003.AW0050	Chrome Plated	Triangle 8	28	6	18
A1003.AW0350	Black Coated	Triangle 8	28	6	18
A1003.AW0060	Chrome Plated	3mm Double Bit	28	6	18
A1003.AW0360	Black Coated	3mm Double Bit	28	6	18
A1003.AW0070	Chrome Plated	4mm Double Bit	28	6	18
A1003.AW0370	Black Coated	4mm Double Bit	28	6	18
A1003.AW0080	Chrome Plated	Slotted (2x4)	28	6	18
A1003.AW0380	Black Coated	Slotted (2x4)	28	6	18



Actuation Method	Body	Finishes	Cam Type	IP Rating	cut out	
					16,2	13,5
Insert Driver Cylinder Lock Manual/Grip	Die-Cast Zinc Polyamide Plastic Stainless Steel	Chrome Plated Black Coated Natural	With Projection W/O Projection			
<b>A1661 - Mini Compression Latch - Fixed Grip</b>						
	✓	22,5	✓	✓	✓	54
Cams: A0234 - Keys: A0102						
<b>A1667 - Mini Compression Latch - Wing Handle - Fixed Grip</b>						
	✓	22,5	✓	✓	✓	54
Cams: A0234 - Keys: N/A						
Actuation Method	Body	Finishes	Cam Type	IP Rating	cut out	
					16,2	14,2
Insert Driver Cylinder Lock Manual/Grip	Die-Cast Zinc Polyamide Plastic Stainless Steel	Chrome Plated Black Coated Natural	With Projection W/O Projection			
<b>A1261 - Mini Cam Latch - Fixed Grip</b>						
	✓	12,5	✓	✓	✓	✓
Cams: A0261 - Keys: A0102						
<b>A1281 - Mini Cam Latch - Wing Handle - Fixed Grip</b>						
	✓	12,5	✓	✓	✓	✓
Cams: A0261 - Keys: N/A						
<b>A2390 - Mini Cam Lock - Wing Handle - Fixed Grip</b>						
	✓	13	✓	✓	✓	✓
Cams: A0261 - Keys: Supplied						

Actuation Method	Body	Finishes	Cam Type	IP Rating	cut out	
					Ø19	16
Insert Driver Cylinder Lock Manual/Grip	Die-Cast Zinc Polyamide Plastic Stainless Steel	Chrome Plated Black Coated Natural	With Projection W/O Projection			
<b>A2326 - Mini Cam Lock - Fixed Grip</b>						
	✓	16,5	✓	✓	✓	✓
Cams: Supplied - Keys: Supplied						
<b>A2328 - Mini Cam Lock - Fixed Grip</b>						
	✓	15	✓	✓	✓	✓
Cams: N/A - Keys: Supplied						
<b>A2330 - Mini Cam Lock - Fixed Grip</b>						
	✓	11	✓	✓	✓	✓
Cams: Supplied - Keys: Supplied						
<b>A2331 - Mini Cam Lock - Fixed Grip</b>						
	✓	16	✓	✓	✓	✓
Cams: Supplied - Keys: Supplied						
<b>A2342 - Mini Cam Lock - Fixed Grip - Radial Key</b>						
	✓	13	✓	✓	✓	✓
Cams: Supplied - Keys: Supplied						
<b>A2393 - Mini Cam Lock - Wing Handle - Fixed Grip</b>						
	✓	11	✓	✓	✓	✓
Cams: Supplied - Keys: Supplied						
Actuation Method	Body	Finishes	Cam Type	IP Rating	cut out	
					Ø18,5	16,5
Insert Driver Cylinder Lock Manual/Grip	Die-Cast Zinc Polyamide Plastic Stainless Steel	Chrome Plated Black Coated Natural	With Projection W/O Projection			
<b>A2333 - Mini Cam Lock - Fixed Grip</b>						
	✓	Various	✓	✓	✓	✓
Cams: A0203, A0224, A0240 - Keys: Supplied						
<b>A2340 - Mini Cam Lock - Fixed Grip</b>						
	✓	15	✓	✓	✓	✓
Cams: Supplied - Keys: Supplied						
<b>A2392 - Mini Cam Lock - Wing Handle - Fixed Grip</b>						
	✓	24	✓	✓	✓	✓
Cams: A0203, A0224, A0240 - Keys: Supplied						

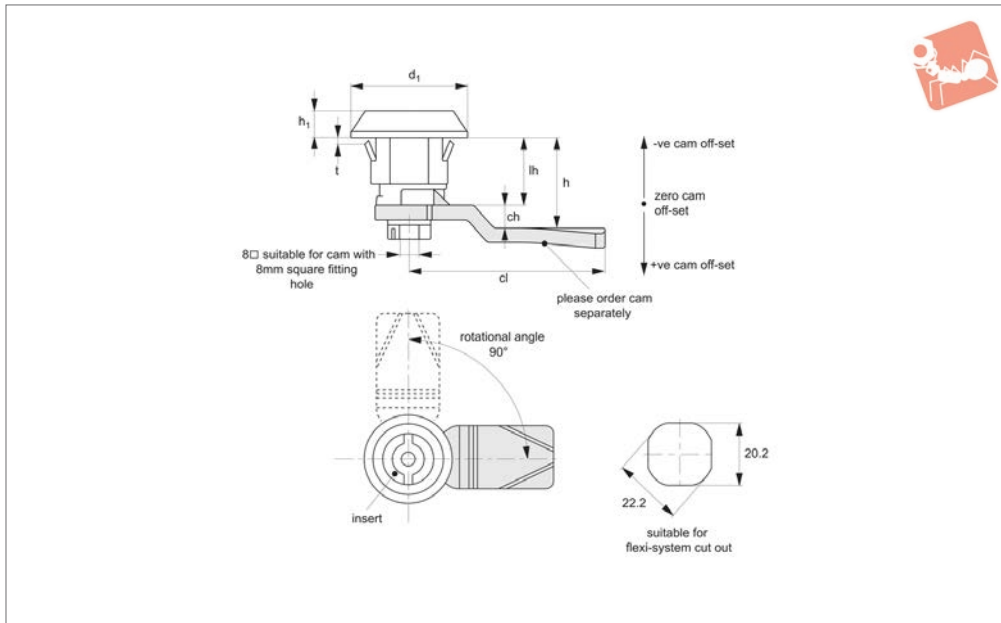


# Cam Latches - Snap in - Flexi-System

Fixed grip, polyamide



## Cam Latches



### A1004

CAM LATCHES

#### Material

Body: PA plastic.

Insert: Die cast zinc.

**Supplied with:** Nut: steel, zinc plated.

Sealing washer: PU and rubber.

**Not supplied:** CAM nor KEY - order separately.

#### Technical Notes

Order cam and key separately.

Cams: see suitable cam A0203, A0224 and A0240. Select „with projection“ cam type.

Dimensions ch and cl relate to cam. Use formula to calculate ch (required cam off-set), and refer to cam selection chart;

$ch = h - lh$  where;

ch = required cam off-set/height.

h = grip length (distance between inside of latch face and front of cam).

lh = body length of cam latch/lock to be used (see product table below).

Suitable for panel thickness 0,8-1,5mm.

**Keys:** see A0102.

#### Tips

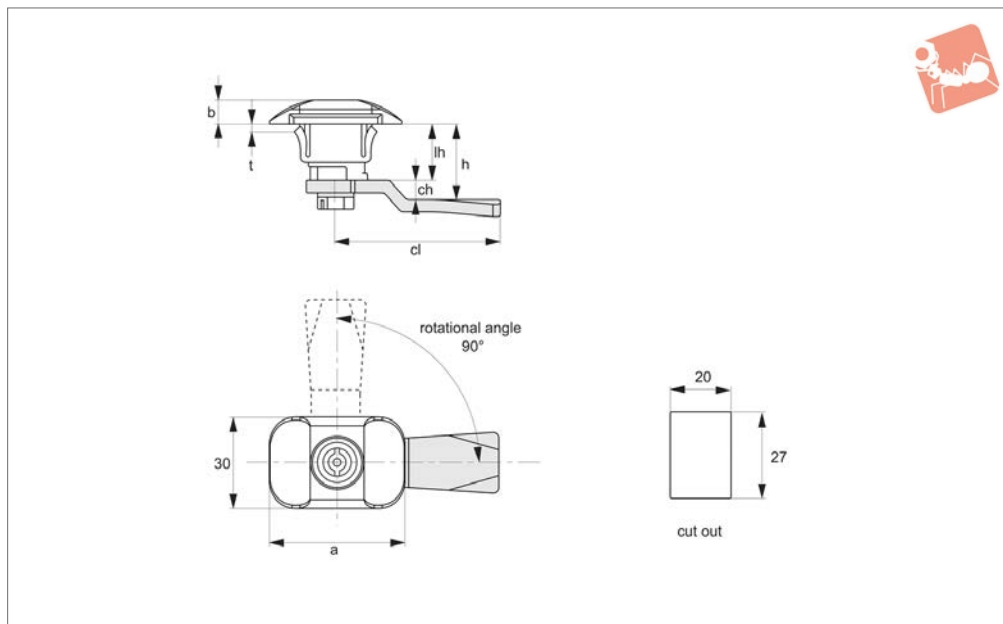
Easy snap on fix mounting. Make cut out in panel as shown, and simply push in handle, snap on clips will spring back to securely mount handle.

Order No.	Insert driver	d <sub>1</sub>	h <sub>1</sub>	t	lh
A1004.AW0020	Square 8	Ø30	7.5	0,8-1,5	18
A1004.AW0075	5mm Double Bit	Ø30	7.5	0,8-1,5	18





## A1010



### Material

Body: Black plastic (PA6).

Insert: Zinc.

**Not supplied:** Cam - order separately.

### Technical Notes

Order cam and key separately.

Cams: see suitable cam A0203, A0224 and

A0240. Select „with projection“ cam type.

Dimensions ch and cl relate to cam. Use formula to calculate ch (required cam off-set), and refer to cam selection chart;

$ch = h - lh$  where;

ch = required cam off-set/height.

h = grip length (distance between inside of

latch face and front of cam).

lh = body length of cam latch/lock to be used (see product table below).

Suitable for panel thickness 0,8-2mm.

Keys: see A0102.

Order No.	Insert driver	a	b	t	lh
A1010.AW0020	8mm Square	43	7.5	0,8-2	17.8
A1010.AW0070	5mm Double Bit	43	7.5	0,8-2	17.8

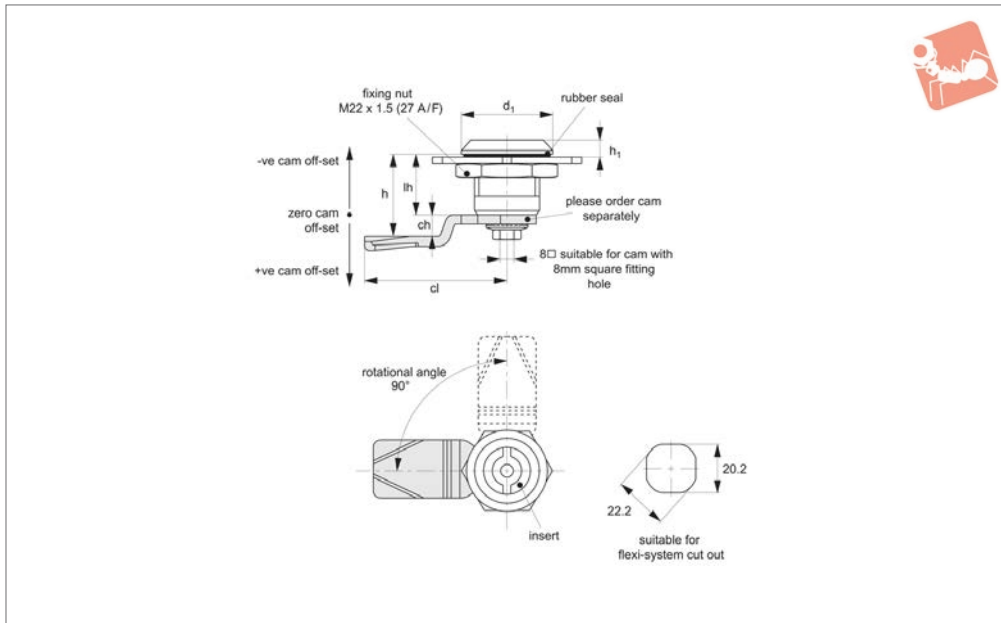


# Cam Latches - Flexi-System

insert driver - fixed grip - plastic



## Cam Latches



## A1021

CAM LATCHES

### Material

Body: polyamide plastic, black.  
 Insert: zinc alloy, black coated. Fitted with O'ring to achieve IP54 rating. Internal spring provides 1,5mm torsion.  
**Supplied with:** Nut: steel, zinc plated.  
 Sealing washer: PU & Rubber.  
**Not supplied:** CAM nor KEY - order separately.

### Technical Notes

Order cam and key separately.

**Cams:** see suitable cam A0203, A0224 and A0240. Select „without projection“ cam type.  
 Dimensions ch and cl relate to cam. Use formula to calculate ch (required cam off-set), and refer to cam selection chart;  
 $ch = h - lh$  where;  
 $ch$  = required cam off-set/height.  
 $h$  = grip length (distance between inside of latch face and front of cam).  
 $lh$  = body length of cam latch/lock to be

used (see product table below).

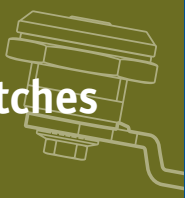
**Keys:** see A0102.

**Rods & Guides:** to achieve 3-point latching - A0303, A0321, A0325.

### Important Notes

An inexpensive alternative to stainless steel, where water or other solutions may cause corrosion.  
 Sold subject to pack quantity.

Order No.	Insert driver	d <sub>1</sub>	h <sub>1</sub>	lh
A1021.AW0010	Square 7	28	6	18
A1021.AW0020	Square 8	28	6	18
A1021.AW0040	Triangle 7	28	6	18
A1021.AW0050	Triangle 8	28	6	18
A1021.AW0060	3mm Double Bit	28	6	18
A1021.AW0070	4mm Double Bit	28	6	18
A1021.AW0080	Slotted (2x4)	28	6	18



Available insert drivers:

Square 7	Square 8	Triangle 7	Triangle 8	3mm Double Bit	4mm Double Bit	2 x 4mm Slotted

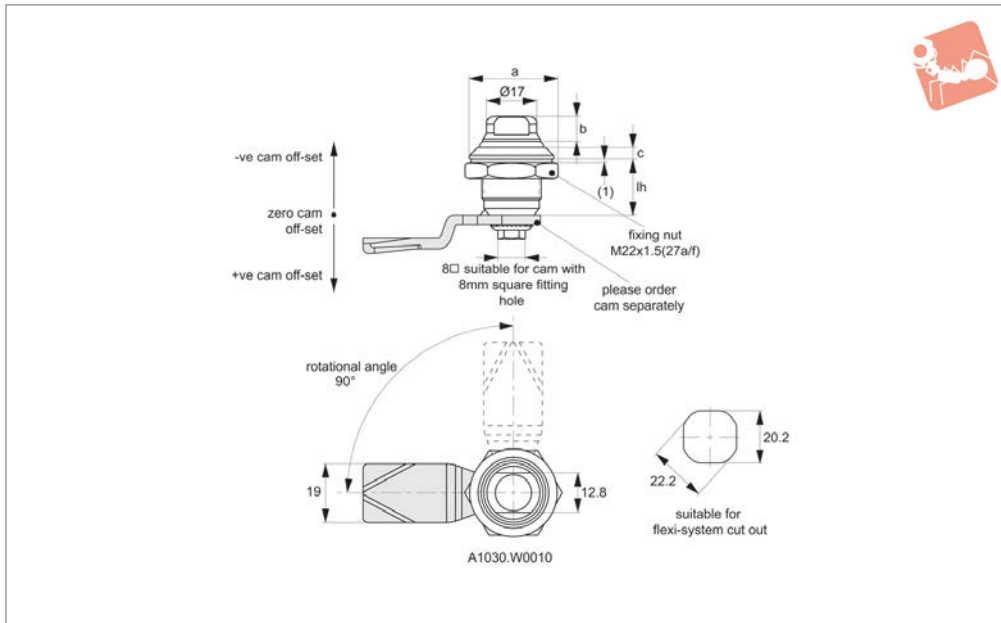


# Cam Latches - Flexi-System

hygienic - stainless steel



## Cam Latches



## A1030

CAM LATCHES

### Material

Body, inset and screw: stainless steel AISI 316.

Fitted with sealing gasket to achieve IP65 rating.

Sealing washer: silicone.

**Not supplied:** CAM nor KEY - order separately.

### Technical Notes

Order cam key separately.

**No need for key. Designed for use with spanner.**

**Cams:** see suitable cam A0203 (steel), A0210 (stainless). Select „without projection“ cam type.

Dimensions ch and cl relate to cam. Use formula to calculate ch (required cam off-set), and refer to cam selection chart;

**ch = h - lh** where;

**ch** = required cam off-set/height.

**h** = grip length (distance between inside of latch face and front of cam).

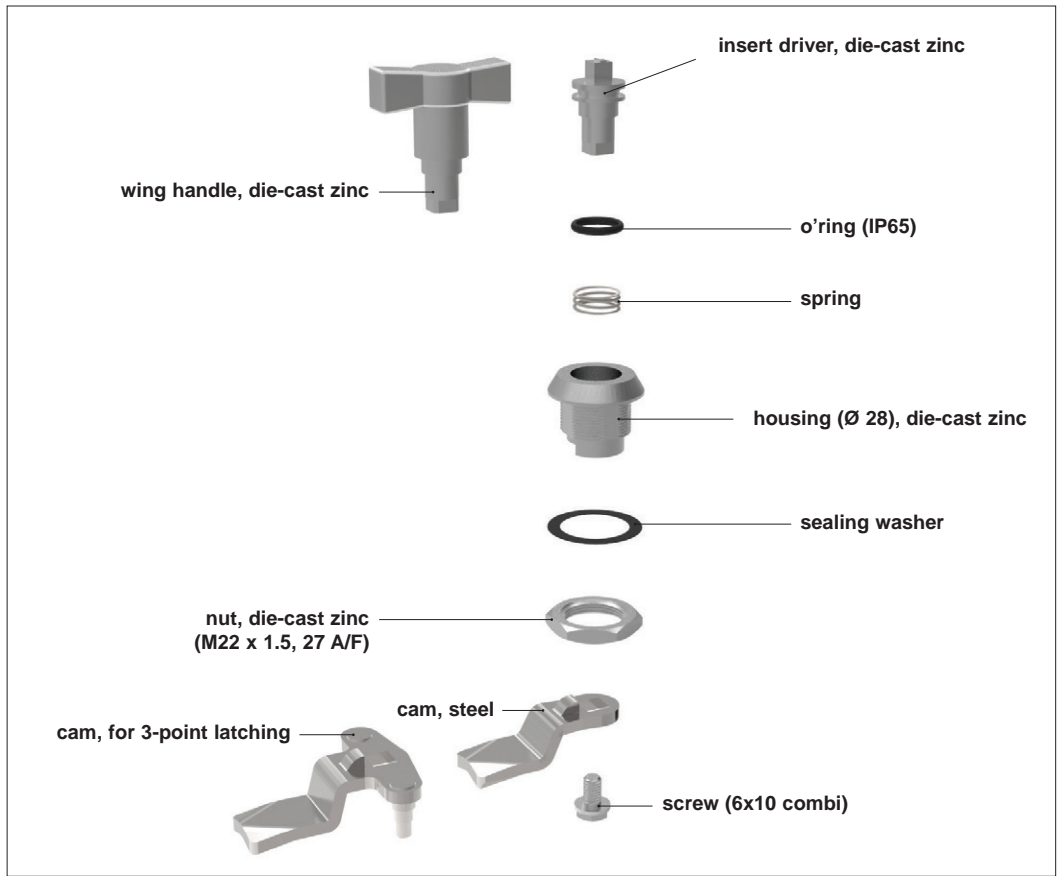
**lh** = body length of cam latch/lock to be used (see product table below).

Order No.	Extruded driver	a	b	lh	c
A1030.AW0010	Stadium	28	8	18	4

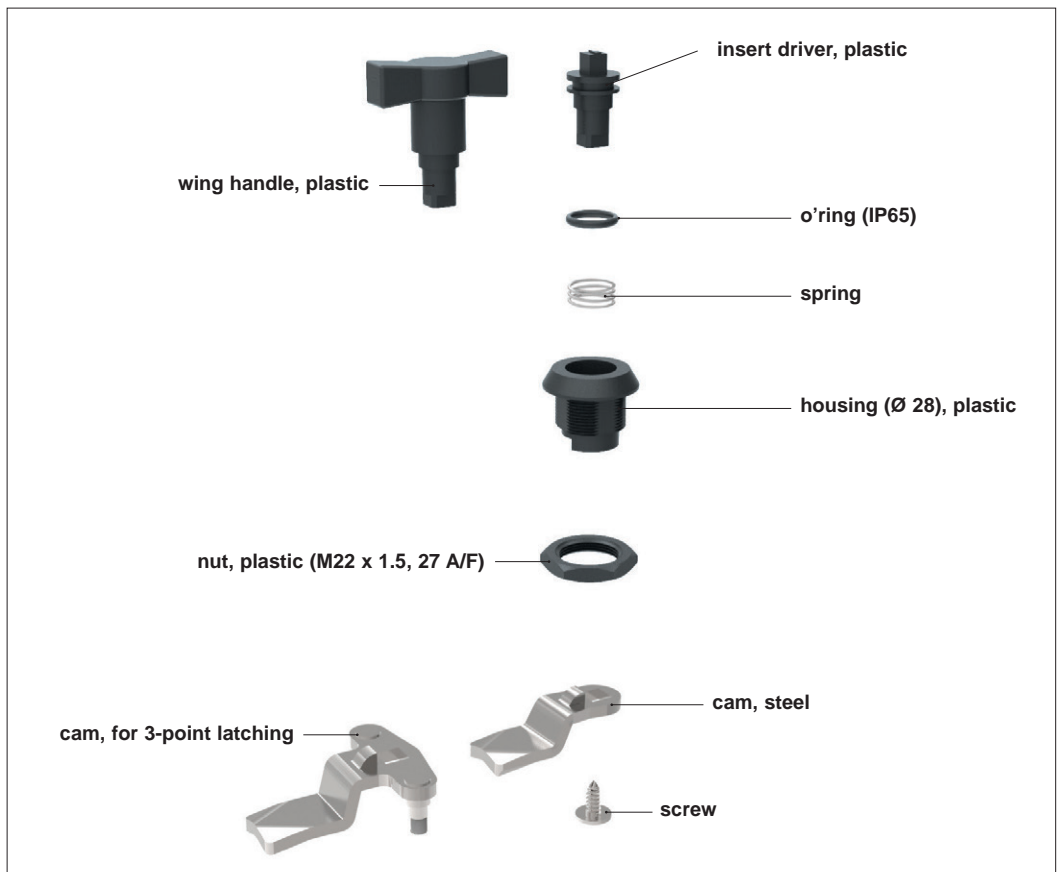


## Die-cast Zinc: A1003, A1181

(also A1103 in stainless steel).



## Plastic: A1021, A1181





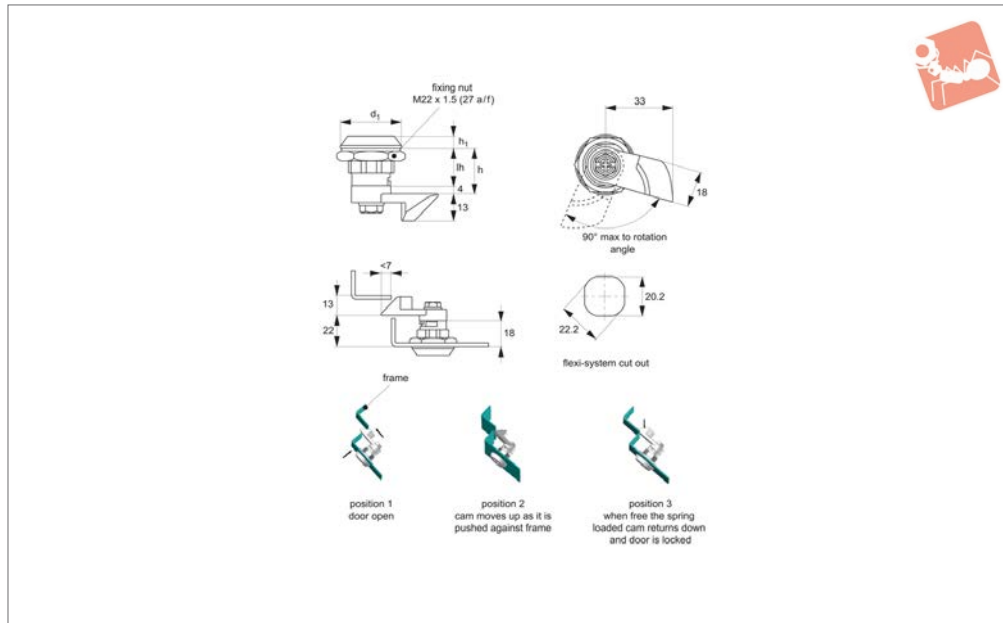


# Cam Latches - Flexi-System

insert driver - push to close - fixed grip - zinc



## Cam Latches



## A1041

CAM LATCHES

### Material

Body & Insert: die cast zinc, bright chrome plated.

**Supplied with:** Cam: die cast zinc, bright chrome plated - fixed off-set of 4mm.

**Not supplied:** KEY - order separately.

### Technical Notes

Order key separately.

**Keys:** see A0102.

### Tips

Spring loaded cam provides depress-to-lock action. See application drawings for operation. Quarter turn opening or closing. Right hand type for panel with hinges on right side, left hand type for panels with hinges on left side. Grip length of cam

fixed at 22mm (lh + 4mm).

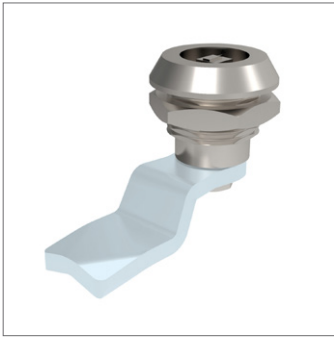
### Important Notes

Sold subject to pack quantity.

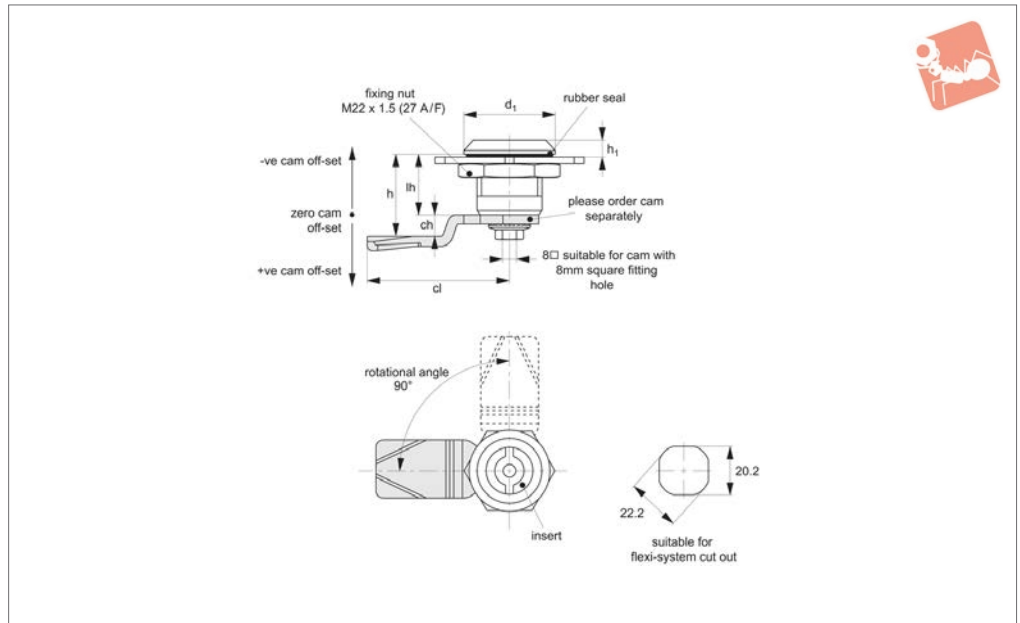
Order No.	Type	Insert driver	d <sub>1</sub>	h <sub>1</sub>	lh	h
A1041.AW0020	Right	Square 8	28	4	18	22
A1041.AW0050	Right	Triangle 8	28	4	18	22
A1041.AW0070	Right	4mm Double Bit	28	4	18	22
A1041.AW0080	Right	Slotted (2x4)	28	4	18	22
A1041.AW0520	Left	Square 8	28	4	18	22
A1041.AW0550	Left	Triangle 8	28	4	18	22
A1041.AW0570	Left	4mm Double Bit	28	4	18	22
A1041.AW0580	Left	Slotted (2x4)	28	4	18	22

### Available insert drivers:

Square 8	Triangle 8	4mm Double Bit	2 x 4mm Slotted



## A1103



### Material

Body & Insert: stainless steel, AISI 304.  
 Insert fitted with O'ring to achieve IP54 rating. Internal spring provides 1,5mm torsion.

**Supplied with:** Nut: stainless steel.

Sealing washer: PU & Rubber.

**Not supplied:** CAM nor KEY - order separately.

### Technical Notes

Order cam and key separately.

**Cams:** see suitable cam A0210. Select „without projection“ cam type.

Dimensions  $ch$  and  $cl$  relate to cam. Use formula to calculate  $ch$  (required cam off-set), and refer to cam selection chart;

$ch = h - lh$  where;

$ch$  = required cam off-set/height.

$h$  = grip length (distance between inside of latch face and front of cam).

$lh$  = body length of cam latch/lock to be used (see product table below).

**Keys:** see A0102.

**Rods & Guides:** to achieve 3-point latching - A0303, A0321, A0325.

Order No.	Insert driver	$d_1$	$h_1$	$lh$
A1103.AW0020	Square 8	28	6	18
A1103.AW0040	Triangle 7	28	6	18
A1103.AW0050	Triangle 8	28	6	18
A1103.AW0060	3mm Double Bit	28	6	18
A1103.AW0070	4mm Double Bit	28	6	18

Available insert drivers:

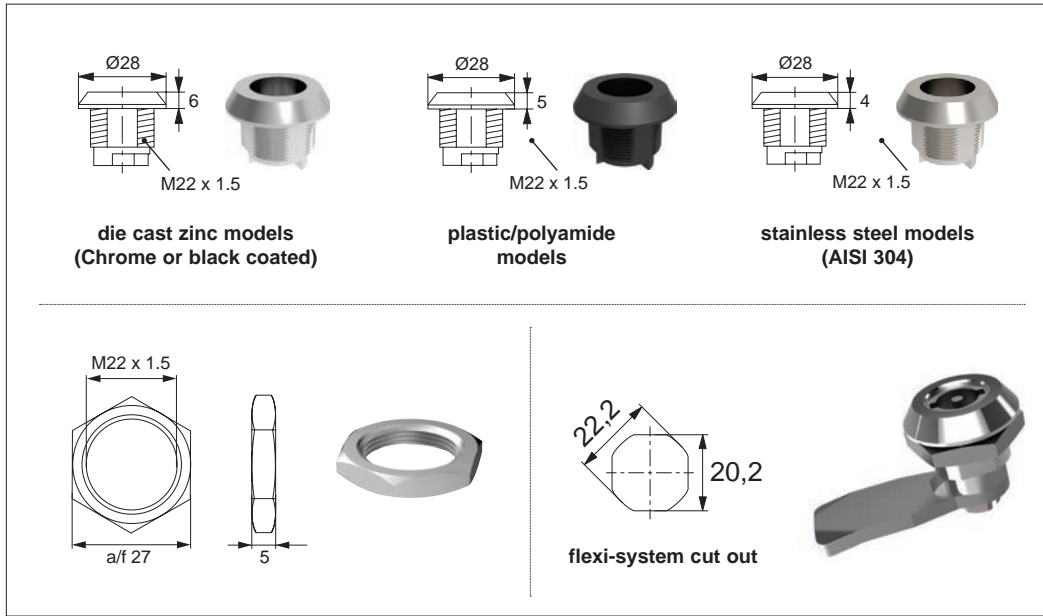
Square 8	Triangle 7	Triangle 8	3mm Double Bit	4mm Double Bit
8	6.5	8	Ø 3	Ø 4



# Wixroyd Cam Latches

## general information

# Cam Latches and Locks



### Dimensions of our cam latch housings

Dimensions apply to our standard range of flexi-system cam latches.

CAM LATCHES

## Available insert drivers for flexi-system latches

3mm double bit	4mm double bit	6mm square	7mm square	8mm square
✓ <input type="radio"/> <input type="radio"/> <input type="radio"/> <input type="radio"/>	✓ <input type="radio"/> <input type="radio"/> <input type="radio"/> <input type="radio"/>	<input type="radio"/>	✓ <input type="radio"/> <input type="radio"/>	✓ <input type="radio"/> <input type="radio"/> <input type="radio"/> <input type="radio"/>
7mm triangle	8mm triangle	9mm triangle	Slotted	Square 8mm with slot
✓ <input type="radio"/> <input type="radio"/> <input type="radio"/> <input type="radio"/>	✓ <input type="radio"/> <input type="radio"/> <input type="radio"/> <input type="radio"/>	✗ <input type="radio"/>	✓ <input type="radio"/> <input type="radio"/>	✗ <input type="radio"/> <input type="radio"/>
10mm hex	8mm hex	8mm hex security pin	13mm eastern european	Tubular
✗ <input type="radio"/>	✗ <input type="radio"/>	✗ <input type="radio"/>	✗ <input type="radio"/>	✗ <input type="radio"/>

✓ Available as part of our standard range

✗ Available subject to a minimum order quantity

## Available materials



ov-WA1004-A-T-WA1251-A-TCC0460-cam-latches-general-information-mh-Updated -26-10-2022



All our cam latches use a standard cut out dimension of 22,2 Ø and 20,2 square which accomodates many industry standards. Flexi-System parts are fully interchangeable, providing a completely flexible hardware system including two or three point latching systems.

## Flexi-system

CAM LATCHES



insert driver cam latches



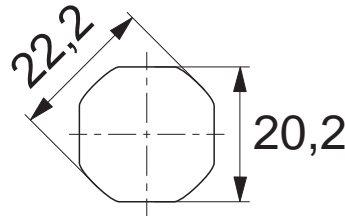
padlockable cam latches



wing handle cam latches



extended grip cam latches



flexi-system cut out



cam locks



t-handle locks



l-handle locks



compression latches



# Wixroyd Cam and Compression Latches

flexi-system cut out product selection charts

## Cam Latches and Locks

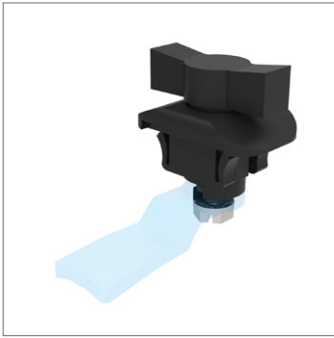


flexi-system cut out 	Actuation Method			Body length (mm)	Body			Finishes			Cam Type		IP Rating
	Insert Driver	Cylinder Lock	Manual/Grip		Die-Cast Zinc	Polyamide Plastic	Stainless Steel	Chrome Plated	Black Coated	Natural	With Projection	W/O Projection	
<b>A1003 - Cam Latch - Fixed Grip</b> 	✓			18	✓			✓	✓		✓	54	
Cams: A0203, A0224, A0240 - Keys: A0102													
<b>A1021 - Cam Latch - Fixed Grip</b> 	✓			18	✓					✓	✓	54	
Cams: A0203, A0224, A0240 - Keys: A0102													
<b>A1041 - Cam Latch - Push-to-Close - Fixed Grip</b> 	✓			18	✓			✓					
Cams: Supplied - Keys: A0102													
<b>A1103 - Cam Latch - Fixed Grip</b> 	✓			18		✓				✓	✓	54	
Cams: A0210 - Keys: A0102													
<b>A1161 - Cam Latch - Padlockable - Fixed Grip</b> 		✓		18	✓			✓	✓		✓		
Cams: A0203, A0224, A0240 - Keys: Padlockable													
<b>A1168 - Cam Latch - Dust Proof Cap - Fixed Grip</b> 	✓			18	✓			✓			✓	54	
Cams: A0203, A0224, A0240 - Keys: A0102													
<b>A1181 - Cam Latch - Wing Handle - Fixed Grip</b> 		✓		18,5	✓	✓		✓	✓	✓	✓	54	
Cams: A0203, A0224, A0240 - Keys: N/A													

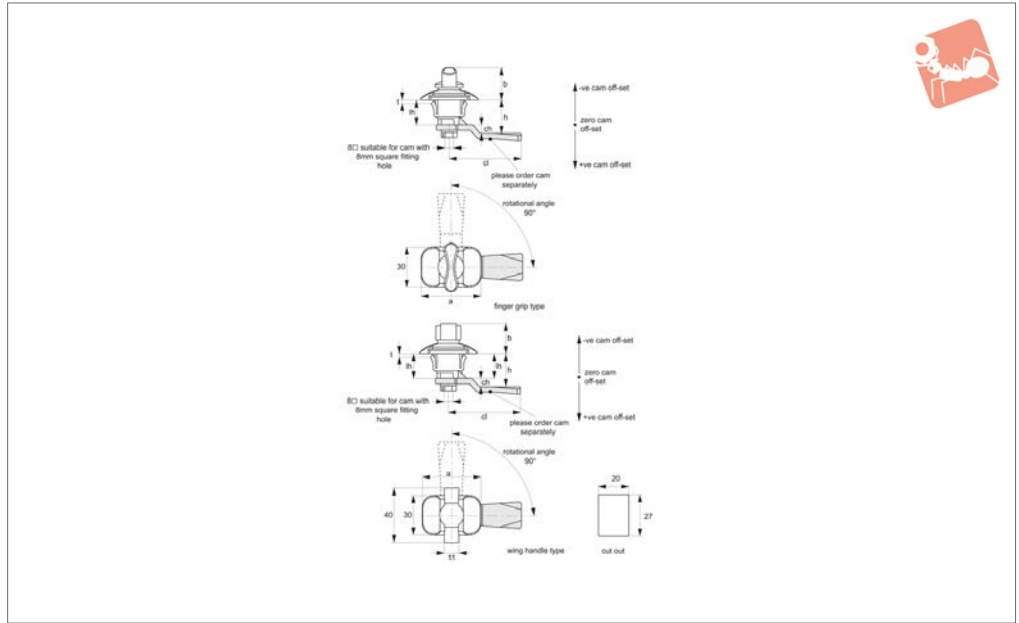
	Actuation Method			Body length (mm)	Body			Finishes			Cam Type		IP Rating
	Insert Driver	Cylinder Lock	Manual/Grip		Die-Cast Zinc	Polyamide Plastic	Stainless Steel	Chrome Plated	Black Coated	Natural	With Projection	W/O Projection	
<b>A1203 - Cam Latch - Finger Handle - Fixed Grip</b> 		✓		Various	✓					✓	✓	54	
Cams: A0203, A0224, A0240 - Keys: N/A													
<b>A1210 - Cam Latch - Tamper Evident</b> 		✓		20	✓					✓		54	
Cams: A0203, A0224, A0240 - Keys: N/A													
<b>A1241 - Cam Latch - Stepped Grip</b> 	✓			Various	✓					✓		65	
Cams: Supplied - Keys: A0102													
<b>A1251 - Cam Latch - Fixed Extended Body</b> 	✓			Various	✓					✓		54	
Cams: A0203, A0224, A0240 - Keys: A0102													
<b>A1580 - Compression Latch - Fixed Grip</b> 		✓		18	✓					✓		54	
Cams: N/A - Keys: A0102													
<b>A1601 - Compression Latch - Fixed Grip</b> 	✓			31	✓					✓	✓	54	
Cams: A0203, A0224 - Keys: A0102													
<b>A1603 - Compression Latch - Fixed Grip</b> 	✓			38	✓					✓		54	
Cams: A0231, A0233 - Keys: A0102													

CAM LATCHES

ov-WA1003-A-TCC0400-WA1251-A-TCC0460-cam-compression-latches-product-selection-chart-a-rmh-Updated-27-10-2022



## A1185



### Material

Body and Handle: Black plastic (PA6).

**Not supplied:** Cam - order separately.

### Technical Notes

Order cam and key separately.

Cams: see suitable cam A0203, A0224 and A0240. Select „with projection“ cam type.

Dimensions ch and cl relate to cam. Use formula to calculate ch (required cam off-

set), and refer to cam selection chart;

$ch = h - lh$  where;

ch = required cam off-set/height.

h = grip length (distance between inside of latch face and front of cam).

lh = body length of cam latch/lock to be used (see product table below).

Suitable for panel thickness 0,8-2mm

Keys: see A0102.

### Tips

Easy snap on fix mounting. Make cut out in panel as shown, and simply push in handle, snap on clips will spring back to securely mount handle.

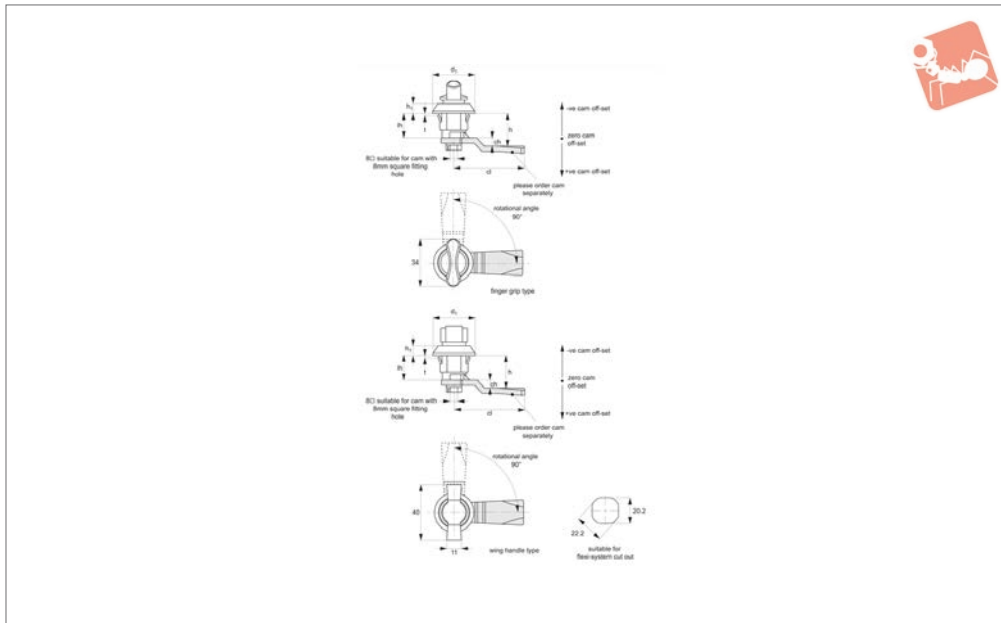
Wing handle enables easy actuation without the need for a key.

Order No.	Handle	a	b	t	lh
A1185.AW0010	Wing Handle	43	22.5	0,8-2	18.5
A1185.AW0020	Finger Grip	43	24	0,8-2	18.5



# Cam Latches - Snap in - Flexi-System

Wing handle, fixed grip, zinc



**A1195**

CAM LATCHES

### Material

Body and Handle: Black plastic (PA6).

**Not supplied:** Cam - order separately.

### Technical Notes

Order cam and key separately.

**Cams:** see suitable cam A0203, A0224 and A0240. Select „with projection“ cam type. Dimensions ch and cl relate to cam. Use formula to calculate ch (required cam off-

set), and refer to cam selection chart;

**ch = h - lh** where;

**ch** = required cam off-set/height.

**h** = grip length (distance between inside of latch face and front of cam).

**lh** = body length of cam latch/lock to be used (see product table below).

Suitable for panel thickness 0,8-1.5mm

**Keys:** see A0102.

### Tips

Easy snap on fix mounting. Make cut out in panel as shown, and simply push in handle, snap on clips will spring back to securely mount handle.

Wing handle enables easy actuation without the need for a key.

Order No.	Handle	d <sub>1</sub>	h <sub>1</sub>	t	lh
A1195.AW0010	Finger Grip	Ø30	7.5	0,8-1,5	18
A1195.AW0020	Wing Handle	Ø30	7.5	0,8-1,5	18



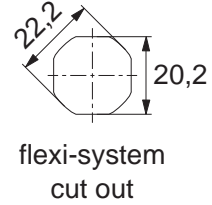
When selecting a Wixroyd Cam Latch for your application, you need to answer these questions:

1. Which installation cut out?
2. Which body style?
3. Which locking key?
4. Which accessories?
5. Which cam type and size?

## Step 1: Which installation cut out?

### Cut out

All our Flexi-System cam latches use a standard installation cut out 22,2 dia, 20,2 square, for maximum flexibility. We also provide a number of alternative cut out dimensions for legacy/historical installations.



## Step 2: Which body style?

### Material and finish

Select from our variety of die cast zinc, polyamide plastic and stainless versions.



Die-cast zinc chrome plate

Die-cast zinc black coated

Polyamide black

Stainless steel

### Actuation and locking method

Standard insert driver type, cylinder lock or wing handle type.



Insert driver

Cylinder lock

Wing handle

### Number of latching points in application

Typically single point latching is required, but the Wixroyd Flexi-System also provides multi-point latching (typically 3 point - at lock point, top and bottom of cabinet).



Single point

Two point

Multi-point

## Step 3: Which locking key?

### Standard insert driver keys

Our range of insert driver cam latches require a simple key to actuate. Refer to part A0102 and A0103 for correct keys.



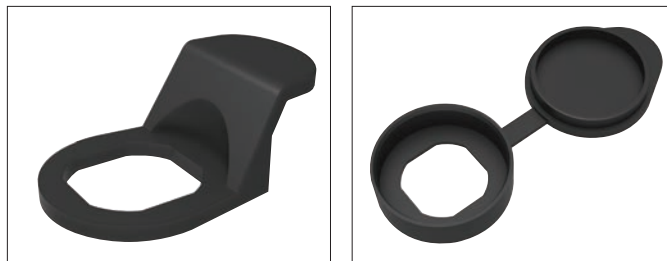
### Cylinder locking

Our cam locks with cylinder locks are supplied with two keys per lock. Available as keyed alike or keyed to differ locks.



## Step 4: Which accessories?

- Multi-point latching: use our rod set A0303 to A0325 for suitable rods and rod guides.
- Finger pulls: easily installed with any of our flexi-system cam bodies, finger pull no. A0352 is a simple, cost effective handle for your cabinets.
- Dust Cap: to reduce material ingress.



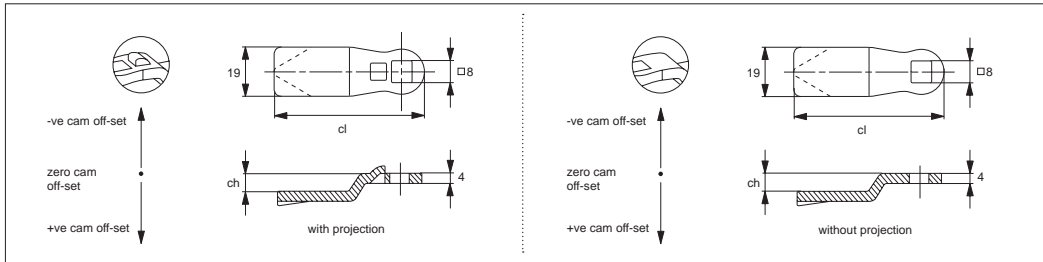


# Selecting the Correct Cam Latch or Lock

## Cam Latches and Locks

### With or without "Projection"

Different cam bodies require cams either with or without projection.



With projection cams prevent turning of the cam over 45°, but is not suited to all cam bodies. For correct projection type please see individual cam body technical pages.

### Number of Latching Points

Single point cams are suitable where just single point latching is required. Multi-point cams are for applications requiring 2 or 3 latching points.

### Step 5: Which cam type and size?

Wixroyd cams are available in a number of different materials; zinc plated steel, stainless steel (AISI 304) and black plastic.

### Cam off-set (dimension ch)

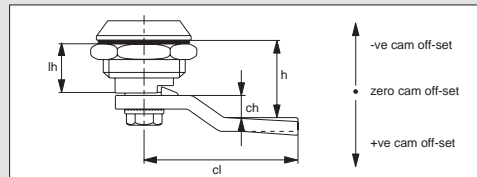
To ensure your cam fully and correctly engages with the frame of your door the correct cam off-set must be selected. A cam off-set can be either negative (-ve) or positive (+ve).

### Cam length (dimension cl)

This impacts the reach of the cam to door frame and hence impacts positioning of cam body for installation. Cam length is measured from the centre of the cam fixing hole to the cam's leading edge. Most typically cams are 45 mm in length.

Use formula to calculate ch (required cam off-set), and refer to the cam selection chart.

- ch = h - lh where;
- ch = the required cam off-set/height
- h = grip length (distance between inside of latch face and front of cam).
- lh = body length of cam latch/lock to be used (see example below)



### Calculation of correct cam off-set

This is the most important aspect of the selection process.

### Example one

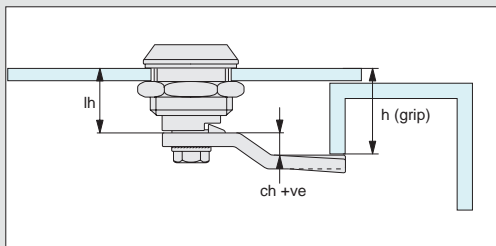
Cam body A1003.AW0010 has been selected for the application. If we refer to the data sheet for this part, suitable cams are parts A0203, A0210 or A0240 - "without projection".

Known application information: h = 26 lh = 18

Therefore; ch = 26 - 18 = +8

Cam off set of +8 is required

Using the data tables for cams A0203, A0210, and A0240 we can select the following cams without projection with an off set of +8; A0203.AW5408 (steel), A0210.AW0428 (stainless) or A0240.AW0108 (three point cam).



### Example two

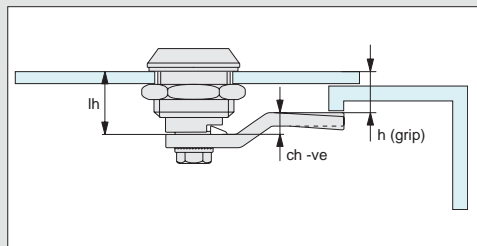
Cam body A1003.AW0010 has been selected for the application. If we refer to the data sheet for this part, suitable cams are parts A0203, A0210 or A0240 - "without projection".

Known application information: h = 14 lh = 18

Therefore; ch = 14 - 18 = - 4

The required cam off set is negative, - 4 as the application's door frame is effectively shorter/lower than the length of the cam body

Using the data tables for cams A0203, A0210 and A0240 we can select the following cam without projection with an off set of - 4; A0203.AW6404 (steel).



### Example of calculation of correct cam off-set



Suitable With Projection Cams				
Compatible cam no.	<b>A0261</b>	<b>A0203</b>	<b>A0210</b>	<b>A0240</b>
Cam fitting hole	6 x 6 square 	8 x 8 square 	8 x 8 square 	8 x 8 square 
Cam latch / lock no.	A1261 / A1281 / A2390	A2503 / A2504 A2523 / A2528	A2503 / A2504 A2523 / A2528	A2503 / A2504 A2523 / A2528

Suitable Without Projection Cams Table 1				
Compatible cam no.	<b>A0203</b>	<b>A0210</b>	<b>A0240</b>	<b>A0243</b>
Cam fitting hole	8 x 8 square 	8 x 8 square 	8 x 8 square 	8 x 8 square 
Cam latch / lock no.	A1003 / A1021 / A1103 A1161 / A1168 / A1181 A1203 / A1210 / A1251 A1601 / A1620 / A1801 A2001 / A2203 / A2326 A2333 / A2392 / A2526 A4221 / A4241 / A4260 B1082 / B1086 / B1088 B1091 / B1092 / B1180 B1281 / B1285 / B1380 B1450 / B2091 / B2181	A1003 / A1021 / A1103 A1161 / A1168 / A1181 A1203 / A1210 / A1251 A1601 / A1620 / A1801 A2001 / A2203 / A2326 A2333 / A2392 / A2526 A4221 / A4241 / A4260 B1082 / B1086 / B1088 B1091 / B1092 / B1180 B1281 / B1285 / B1380 B1450 / B2091 / B2181	A1003 / A1021 / A1103 A1161 / A1168 / A1181 A1203 / A1210 / A1251 A1601 / A1620 / A1801 A2001 / A2203 / A2326 A2333 / A2392 / A2526 A4221 / A4241 / A4260 B1082 / B1086 / B1088 B1091 / B1092 / B1180 B1281 / B1285 / B1380 B1450 / B2091 / B2181	A1003 / A1021 / A1103 A1161 / A1168 / A1181 A1203 / A1210 / A1251 A1601 / A1620 / A1801 A2001 / A2203 / A2326 A2333 / A2392 / A2526 A4221 / A4241 / A4260 B1082 / B1086 / B1088 B1091 / B1092 / B1180 B1281 / B1285 / B1380 B1450 / B2091 / B2181

Suitable Without Projection Cams Table 2					
Compatible cam no.	<b>A0250</b>	<b>A0234</b>	<b>A0215</b>	<b>A0231</b>	<b>A0233</b>
Cam fitting hole	5 x 5 square 	6,3 dia. x 4,9 	7 x 7 square 	8 x 10 dia. 	8 x 10 dia. 
Cam latch / lock no.	A4600 / A4620	A1661 / A1667	B2082 / B2084 / B2086 B2088 / B2285 / B2380	A1603 / A1611 A1630 / A1810	A1603 / A1611 A1630 / A1810

## Calculation of correct cam off-set

### Cam off-set

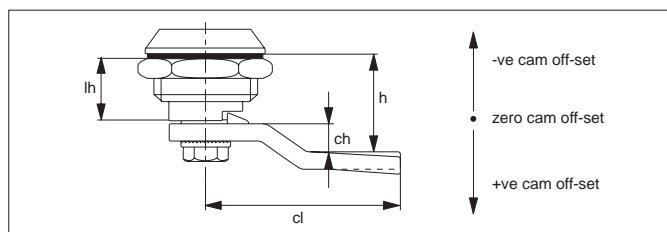
Use the formula to calculate your correct cam off-set:

$$ch = h - lh$$

ch = the required cam off-set.

h = distance between inside of lock face and front of cam (also referred to as "grip length").

lh = length of cam body to be used (refer to individual cam body data sheets).



### Cam Off-Set (dimension ch)

To ensure your cam fully and correctly engages with the frame of your door the correct cam off-set must be selected. A cam off-set can be either negative (-ve) or positive (+ve).

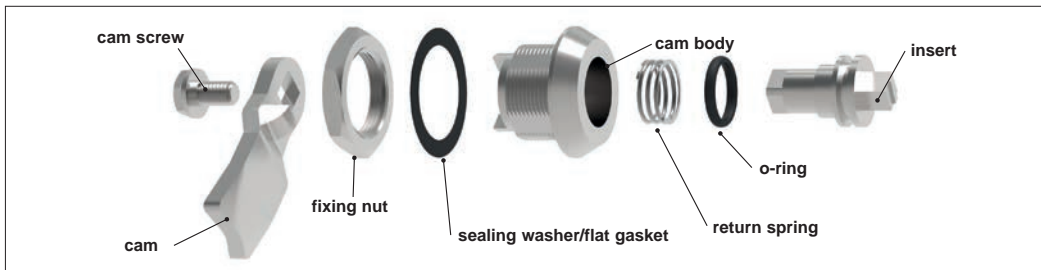
### Cam Length (dimension cl)

Impacts reach of the cam to door frame and hence impacts positioning of cam body for installation. Cam length or reach is measured from the centre of the cam fixing hole to the cam's leading edge. Refer to individual cam body datasheets.



# Wixroyd Cam Latches

## technical specification and advice



### Physical and chemical characteristics of polyamide

Physical condition	solid (at 20°C)
Density	> 1,0 g/cm <sup>3</sup>
Yield Point	220°C
Smell	No particular smell
Dissolvability in water	Undissolvable
Segregation temperature	> 350°C
Fire Point	>390°C
Auto ignition temperature	> 400°C

### Zinc

Zinc Alloy is the most fundamental material for the Wixroyd product range. Housings, inserts, handles, spacers, keys, hinges etc, are all die cast products. The zinc used is a zinc alloy with the following contents (except zinc): Al 4,03% Cu 0,83% as well as minor contents of Mg, Fe, Pb, Cd, Sn and Ni.

### RoHS Compliance

Our Cam Latches are RoHS Compliant.



### Materials

### Plastic - Polyamide

Many of our products are made of injection moulded plastic, normally polyamide. When needed, we add fibreglass to the material, in order to optimise qualities of the product. Examples of products made out of polyamide: handles, housings, rod guides etc.

## Degrees of sealing protection

A product classified to an IP rating has either been tested in an independent laboratory, or due to the resemblance of its structure to a tested product, classified as IP.

**Important note: We can only guarantee our products correspond to the indicated classification when assembled and used correctly.**

**IP65 RATED**

**IP 65:** Dust Tight and Jetting Secure. Through the application of an o-ring and a flat gasket, this higher classification can be achieved.

**IP54 RATED**

**IP 54:** Dust and Splash Protected. This is the standard classification for our products. Equivalent to NEMA3.

### IP ratings

Character	Value	Standard
Density	1,35 g/cm <sup>3</sup>	DIN 53479
Hardness	65 Shore A	DIN 53505
Breaking Strain	5 N/mm <sup>2</sup>	DIN 53504
Expansion	200%	DIN 53504
Heat & cold resistance	max. 70°C, min. -35°C	

Through the application of a flat gasket between the lock and the door, class IP 65 or NEMA 4 is achieved.

Pressure deformation test			
Time/temp.	Type of test	Standard	Result
22h/100°C	DVR	DIN 53517 A	9%
70h/100°C	DVR	DIN 53517 A	12%

The flat gasket is made out of a mixture of NBR (Nitrile Rubber) and SBR (Styrolbutadiene Rubber). This gives the gasket a satisfactory chemical resistance and a good constancy to oil.

### Flat gaskets/ Sealing Washer

Character	Value	Standard
Density	1,240 g/cm <sup>3</sup>	DIN 53479
Hardness	71 Shore A	DIN 53505
Breaking strain	14 N/mm <sup>2</sup>	DIN 53504
Expansion	280%	DIN 53504
Recoil elasticity	32%	DIN 53512
Heat & cold resistance	max. 120°C, min. -40°C	

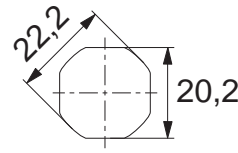
For all O-rings, an NBR material with the following technical characteristics is used.

### O Rings



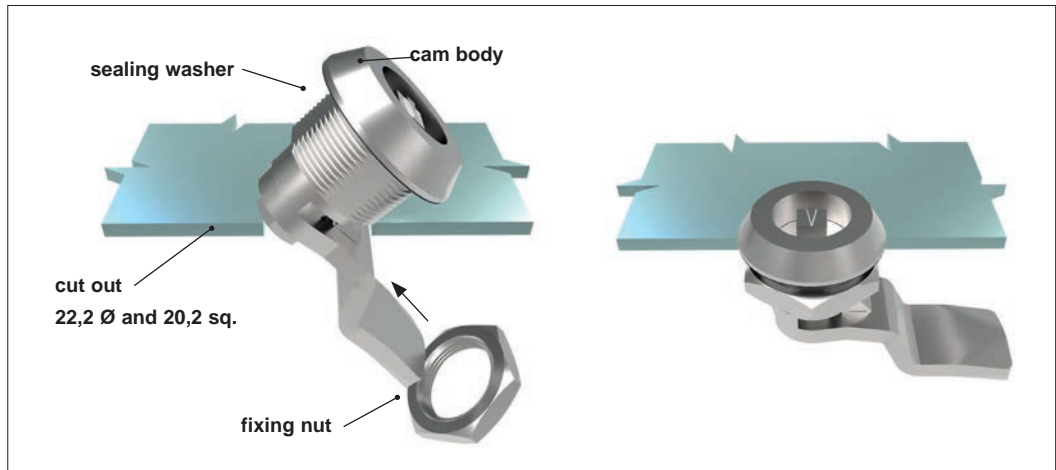
## Flexi-system cut out

Our flexi-system is based on a standard installation cut out 22,2 Ø and 20,2 sq.



CAM LATCHES

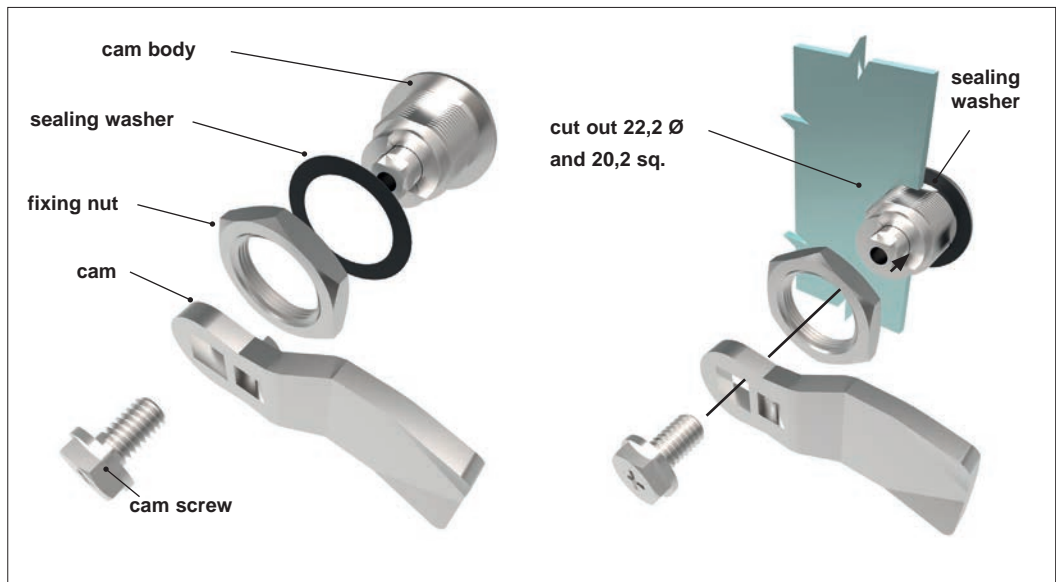
### Option 1: Installation when fully assembled



When the cam latch grip (h) is 9mm or more this method is possible:-

1. With the cam body and cam fully assembled, attach the sealing washer to cam body.
2. Tilt the latch 45° and pass it, cam first, through the installation cut out in the panel.
3. When in place attach the fixing nut to the cam body to secure. Tighten to 10 Nm max.

### Option 2: Installation unassembled



When the cam latch grip (h) is less than 9mm this method is suitable:-

1. Prior to commencing ensure that the cam body, cam, cam screw, fixing nut and sealing washer are completely unassembled.
2. Attach the sealing washer to the cam body and pass through installation cut out in panel.
3. Attach the fixing nut to the cam body to secure. Tighten to 10 Nm max.
4. Attach the cam to the cam body. Once you have ensured that the cam has the correct orientation toward the panel frame, secure the cam screw and tighten to 4 Nm.

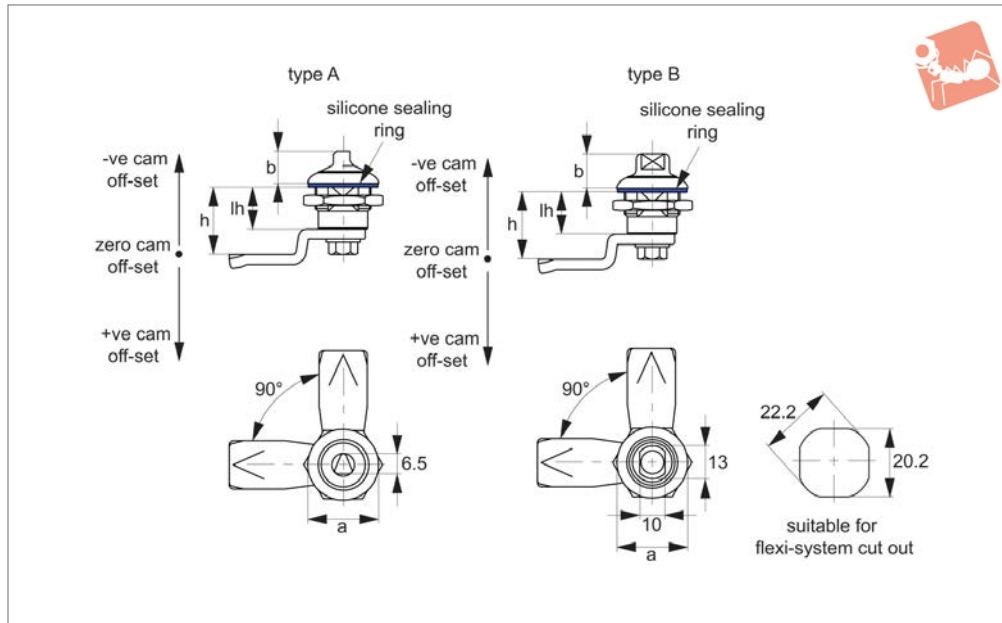


# Cam Latches - 3A Standard

hygienic line, stainless steel



## Cam Latches



## A1104

CAM LATCHES

### Material

Body: Stainless steel AISI304  
 Handle: Stainless steel AISI304  
 Blue gasket: silicone  
 Gaskets provide IP69K rating.

**Supplied with:** Nut and screw: Stainless steel AISI304

**Not Supplied:** CAM nor KEY - order separately.

### Technical Notes

Order cam and key separately.  
 Cams: see suitable cam A0203 (steel) and

A0210 (Stainless Steel)

A0224 and A0240.

Select „without projection“ cam type.

Dimensions ch and cl relate to cam.

Use formula to calculate ch (required cam off-set), and refer to cam selection chart;  
 $ch = h - lh$  where;

ch = required cam off-set/height.

H = grip length (distance between inside of latch face and front of cam).

lh = body length of cam latch/lock to be used (see product table below).

Keys: see A0104.

### Tips

Made to the high „3A“ standard.

This ensures it meets the high standards required for use in food, beverage, pharmaceutical and medical applications.

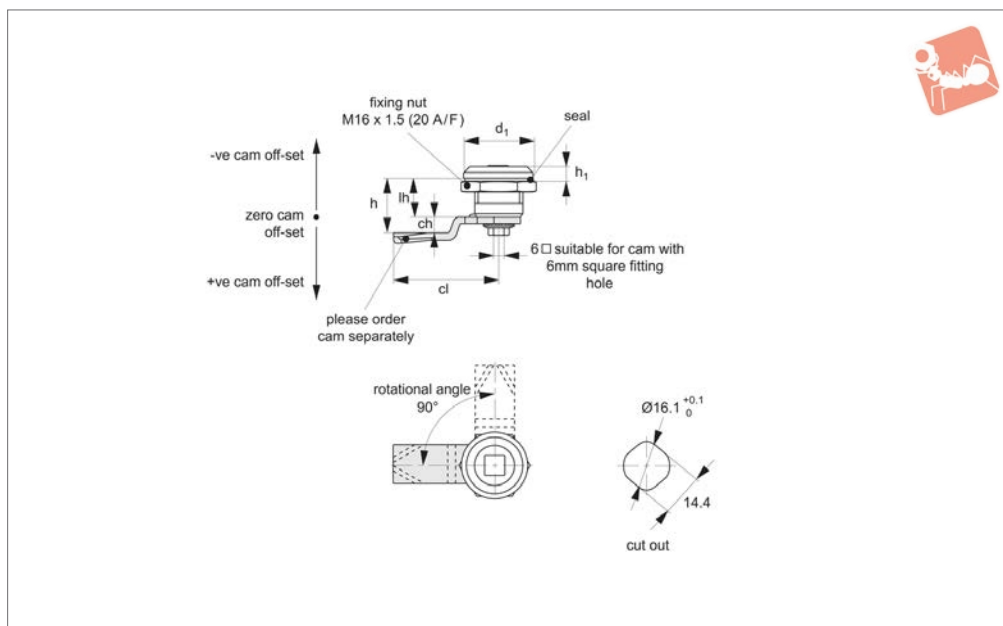
Hygienically designed for effective and easy cleaning, corrosion resistant, non-toxic.

Design precludes contamination by dirt, food particles and organic matter.

Order No.	Insert driver	a	b	lh
A1104.AW0010	triangle 7	28	13	18
A1104.AW0110	Stadium	28	13	18



### A1261



#### Material

**Type one:** Body & insert: die cast zinc, chrome plated or black powder coated.

**Supplied with:** Keys: two per lock.

**Not supplied:** CAM - order separately.

#### Technical Notes

Order cam and key separately.

**Cams:** see suitable cam A0261. Select

„with projection“ cam type to prevent cam

rotating over 45°.

Dimensions  $ch$  and  $cl$  relate to cam. Use formula to calculate  $ch$  (required cam off-set), and refer to cam selection chart;

$ch = h - lh$  where;

$ch$  = required cam off-set/height.

$h$  = grip length (distance between inside of latch face and front of cam).

$lh$  = body length of cam latch/lock to be

used (see product table below).

**Keys:** see A0102.

#### Tips

Mini cam latches for any application; securing doors, cabinets etc. Quarter-turn opening or closing.

#### Important Notes

Sold subject to pack quantity.

Order No.	Insert driver	Finish	$d_1$	$h_1$	$h_3$
A1261.AW0006	Square 6	Chrome	20	4	12.5
A1261.AW0078	Slot (2x4)	Chrome	20	4	12.5
A1261.AW0306	Square 6	Black Coated	20	4	12.5
A1261.AW0378	Slot (2x4)	Black Coated	20	4	12.5

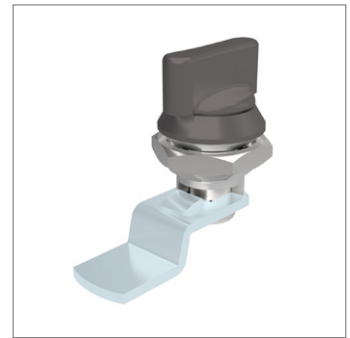
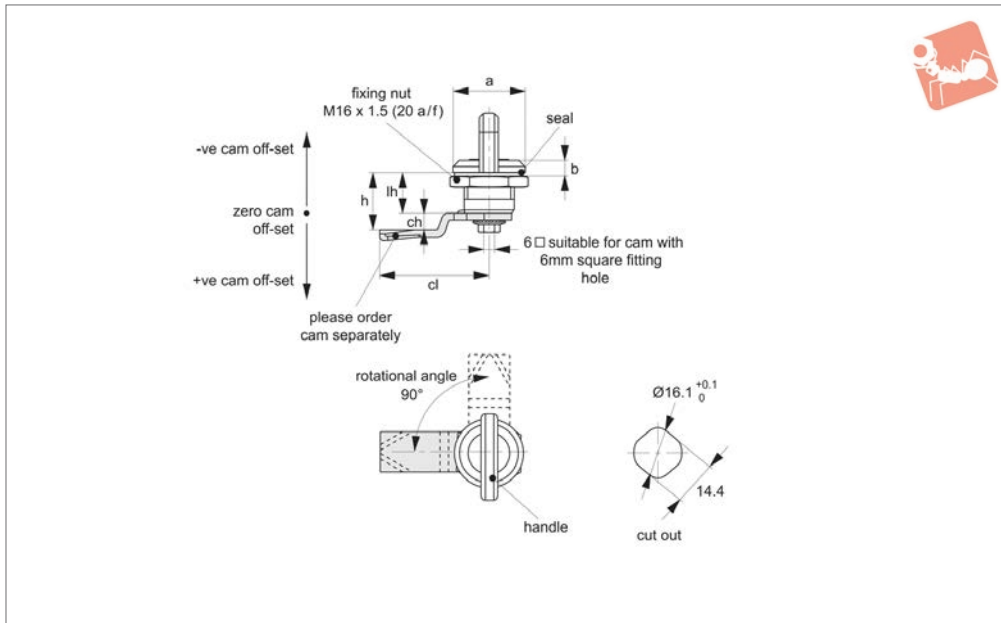


# Mini Cam Latches

wing handle - fixed grip - zinc



## Cam Latches



### A1281

CAM LATCHES

#### Material

Body & insert: die cast zinc, chrome plated or black powder coated.

Handle: black plastic, PA6.

**Not supplied:** CAM - order separately.

#### Technical Notes

Order cam separately.

**Cams:** see suitable cam A0261. Select

„with projection“ cam type to prevent cam

rotating over 45°.

Dimensions  $ch$  and  $cl$  relate to cam. Use formula to calculate  $ch$  (required cam off-set), and refer to cam selection chart;

**$ch = h - lh$**  where;

**$ch$**  = required cam off-set/height.

**$h$**  = grip length (distance between inside of latch face and front of cam).

**$lh$**  = body length of cam latch/lock to be

used (see product table below).

#### Tips

Wing knob actuates lock, and also acts as knob/handle.

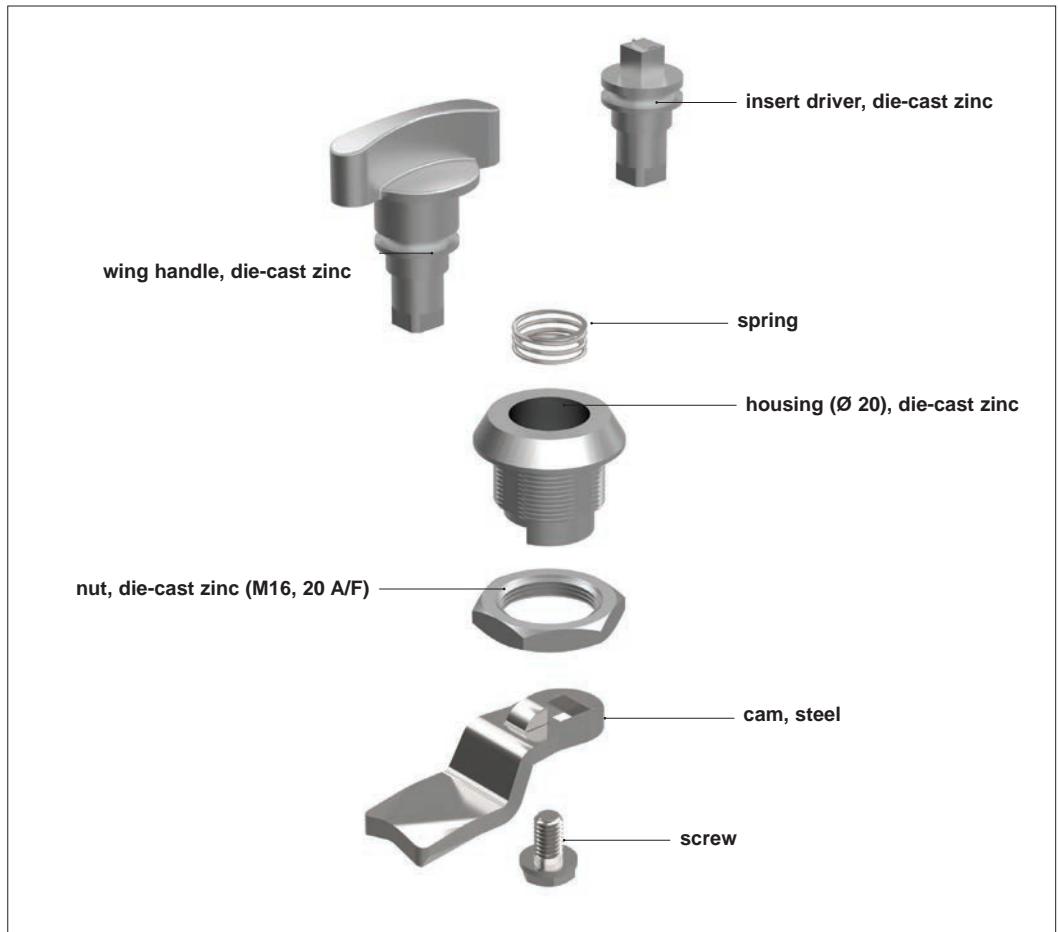
#### Important Notes

Sold subject to pack quantity.

Order No.	Handle	Body	a	b	lh
A1281.AW0110	Black Plastic	Chrome Plated	20	4	12.5
A1281.AW0120	Black Plastic	Black Powder	20	4	12.5



Die-cast zinc:  
A1261, A1281





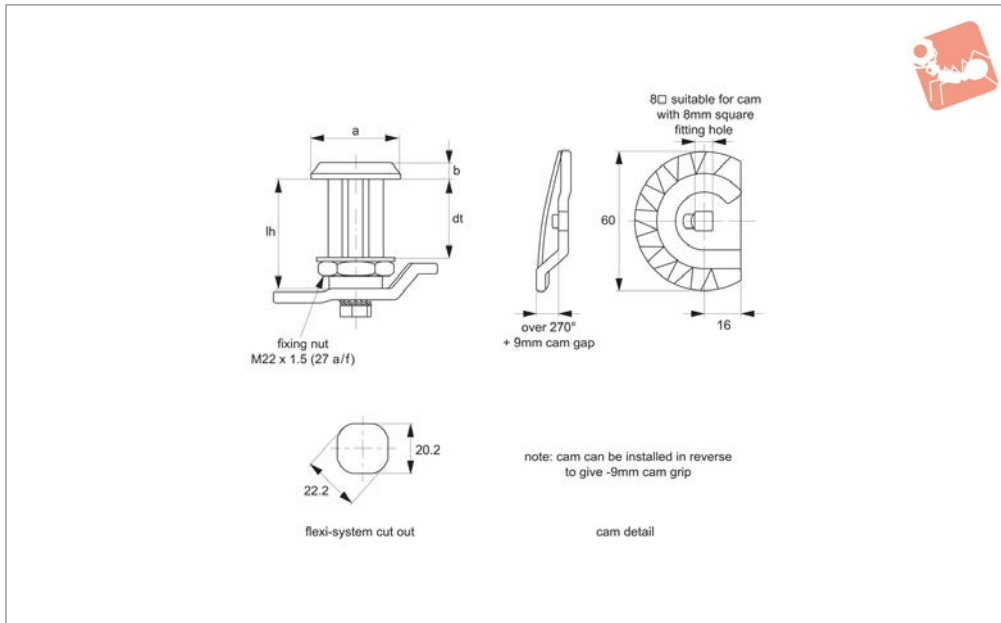


# Cam Latches - Flexi-System

insert driver - stepped cam - extended body - zinc



## Cam Latches



## A1241

CAM LATCHES

### Material

Body: die cast zinc, chrome plated. Insert fitted with O'ring to achieve IP54 rating.

**Supplied with:** Nut: steel, zinc plated.

Sealing washer: PU & rubber.

Stepped cam: die cast zinc, 9mm step over 270° rotation, 60mm dia.

**Not supplied:** KEY - order separately.

### Technical Notes

Order keys separately. Suitable keys - A0102.

### Tips

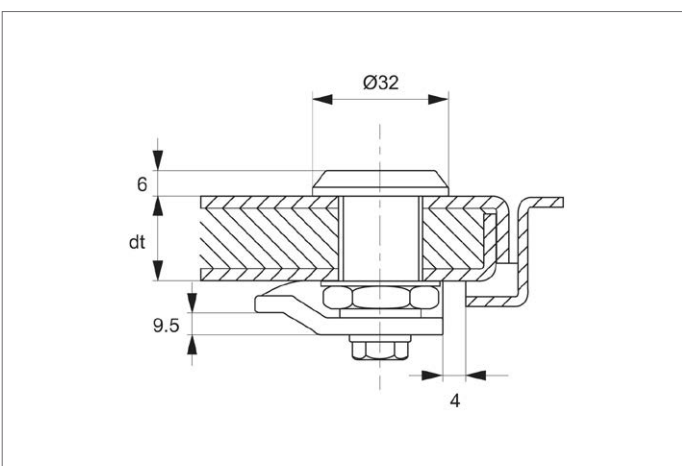
Stepped cam ideal for air conditioning

units, sound proof or isolation doors. Very tight closure of door possible, due to stepped cam over a 270° rotation.

### Important Notes

Sold subject to pack quantity.

Order No.	Insert driver	lh	dt door thickness max.	a	b
A1241.AW0311	Square 7	40	30	32	6
A1241.AW0411	Square 7	50	40	32	6

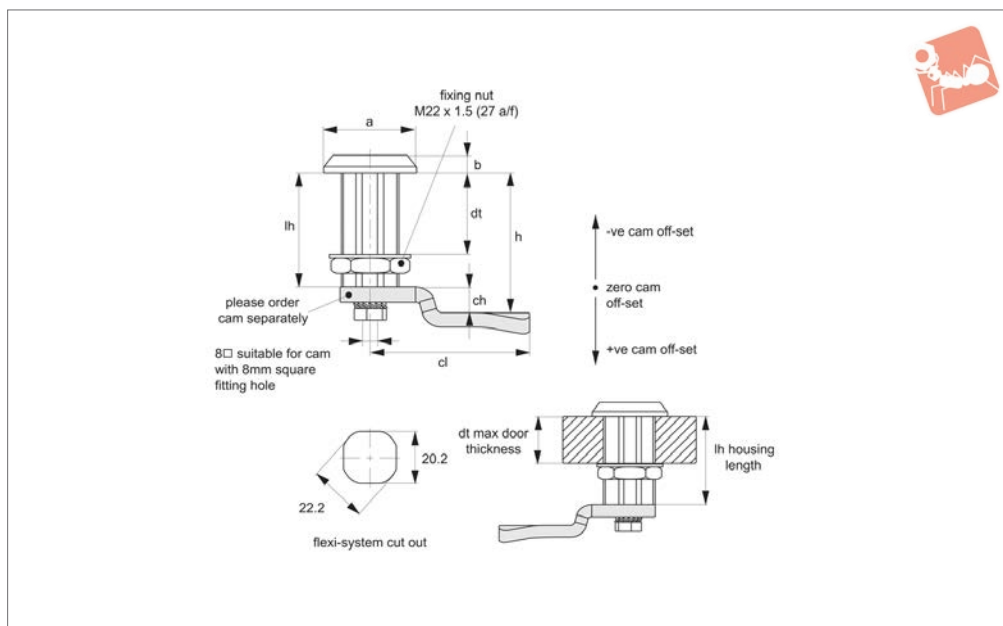




CAM LATCHES



## A1251



### Material

Body & insert: die cast zinc, chrome plated.  
Insert fitted with O'ring to achieve IP54 rating.

**Supplied With:** Nut: steel, zinc plated.

Sealing washer: PU & Rubber.

**Not supplied:** CAM nor KEY - order separately.

### Technical Notes

Order cam and key separately.

**Cams:** see suitable cam A0203, A0224 and A0240. Select „without projection“ cam

type.

Dimensions ch and cl relate to cam. Use formula to calculate ch (required cam off-set), and refer to cam selection chart;

**ch = h - lh** where;

**ch** = required cam off-set/height.

**h** = grip length (distance between inside of latch face and front of cam).

**lh** = body length of cam latch/lock to be used (see product table below).

**Keys:** see A0102.

**Rods & Guides:** to achieve 3-point latching

- A0303, A0321, A0325.

### Tips

Ideal for air conditioning units, sound-proof or isolation doors, as well as wooden panels. Insert quarter-turn opening or closing.

Slotted insert driver does not require a key. Simply use a flat head screwdriver to actuate.

### Important Notes

Sold subject to pack quantity.

Order No.	Insert driver	lh	dt	a	b
A1251.AW0011	Square 7	28	20	28	4
A1251.AW0021	Square 8	28	20	28	4
A1251.AW0041	Triangle 7	28	20	28	4
A1251.AW0051	Triangle 8	28	20	28	4
A1251.AW0061	3mm Double Bit	28	20	28	4
A1251.AW0071	4mm Double Bit	28	20	28	4
A1251.AW0081	Slotted (2x4)	28	20	28	4
A1251.AW0311	Square 7	36	30	28	4
A1251.AW0321	Square 8	36	30	28	4
A1251.AW0341	Triangle 7	36	30	28	4
A1251.AW0351	Triangle 8	36	30	28	4
A1251.AW0361	3mm Double Bit	36	30	28	4
A1251.AW0371	4mm Double Bit	36	30	28	4
A1251.AW0381	Slotted (2x4)	36	30	28	4
A1251.AW0511	Square 7	62	50	28	4
A1251.AW0521	Square 8	62	50	28	4
A1251.AW0551	Triangle 8	62	50	28	4
A1251.AW0561	3mm Double Bit	62	50	28	4
A1251.AW0571	4mm Double Bit	62	50	28	4
A1251.AW0581	Slotted (2x4)	62	50	28	4

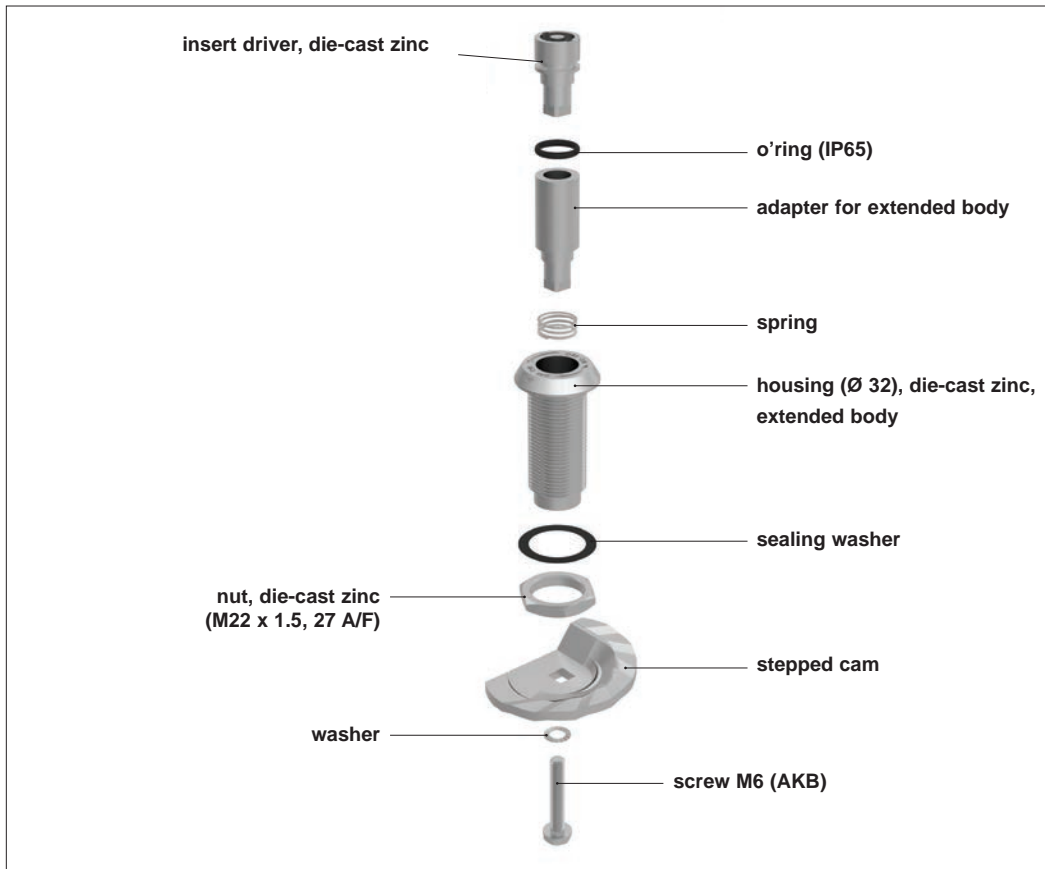


# Wixroyd Extended Body Cam Latch

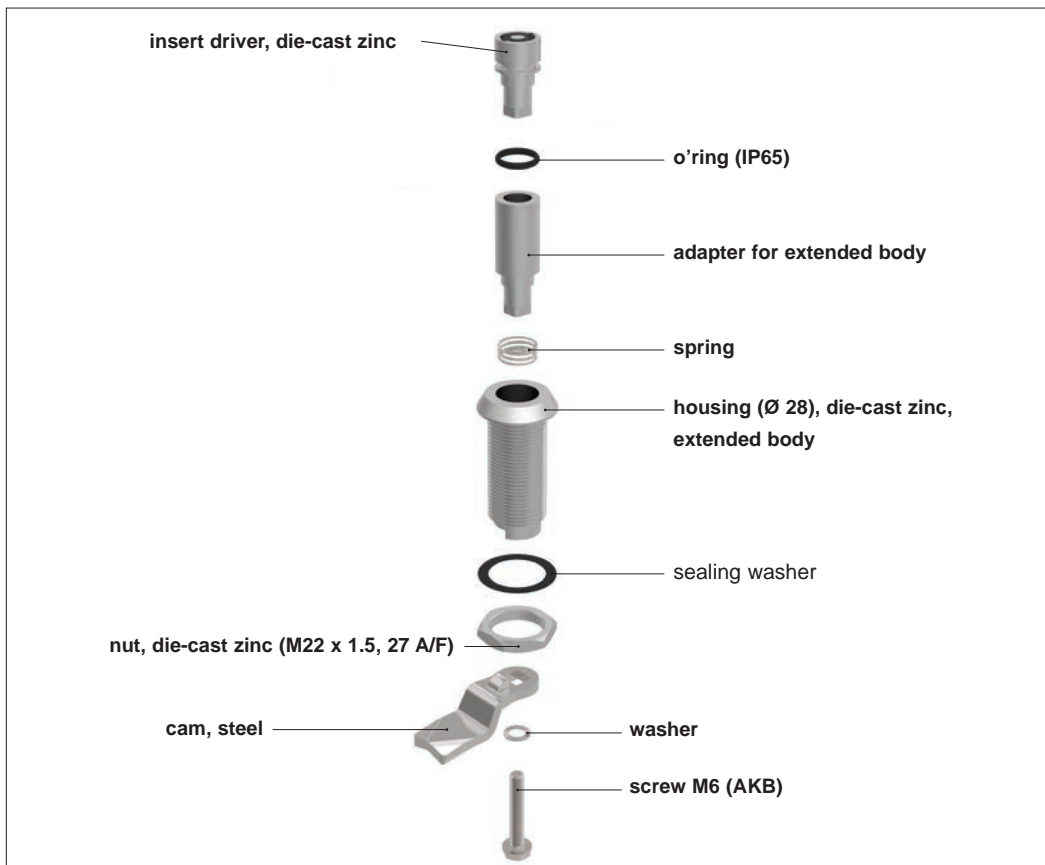
exploded view and assembly

## Cam Latches and Locks

Stepped cam: A1241



Extended body cam latch: A1251

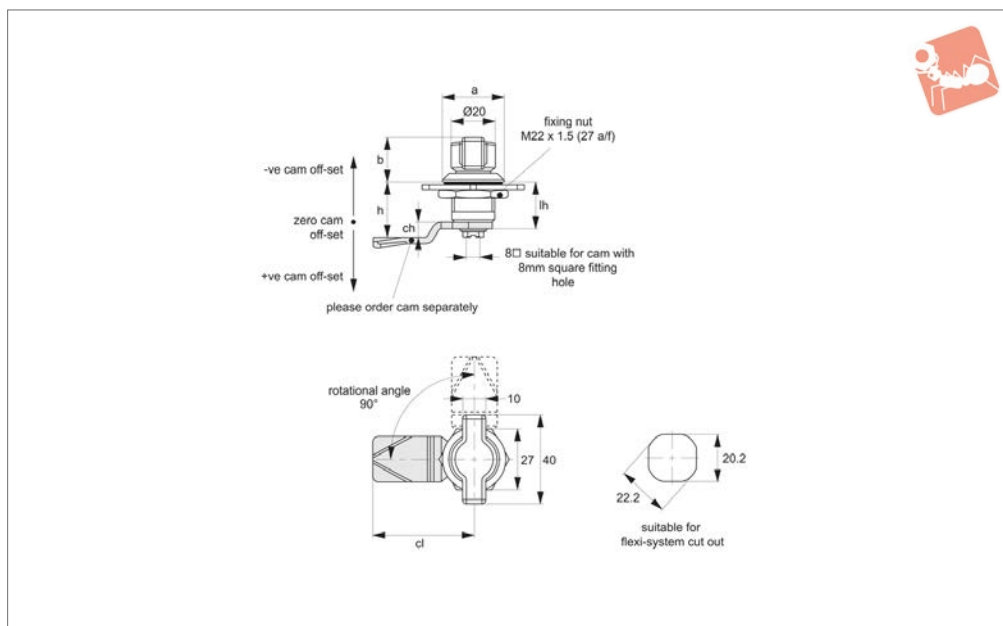


CAM LATCHES

ov-WA1241-A-T-WA1251-A-TCC0460-extended-body-cam-latch-exploded-view-assembly-rmh- Updated -27-10-2022



## A1181



### Material

Body: die cast zinc.

Handle: black plastic (PA6).

**Not supplied:** CAM - order separately.

### Technical Notes

Order cam separately.

**Cams:** see suitable cam A0203, A0224 and A0240. Select „without projection“ cam type.

Dimensions ch and cl relate to cam. Use formula to calculate ch (required cam off-set), and refer to cam selection chart;

**ch = h - lh** where;

**ch** = required cam off-set/height.

**h** = grip length (distance between inside of latch face and front of cam).

**lh** = body length of cam latch/lock to be used (see product table below).

**Rods & Guides:** to achieve 3-point latching - A0303, A0321, A0325.

### Tips

Wing actuates lock, and also acts as a knob/handle. Quarter-turn opening or closing.

### Important Notes

Sold subject to pack quantity.

Order No.	Body finish	Handle	a	b	lh
A1181.AW0110	Chrome Plated	Black Plastic	28	20	18
A1181.AW0210	Black Coated	Black Plastic	28	20	18
A1181.AW0510	Black Plastic	Black Plastic	28	20	18

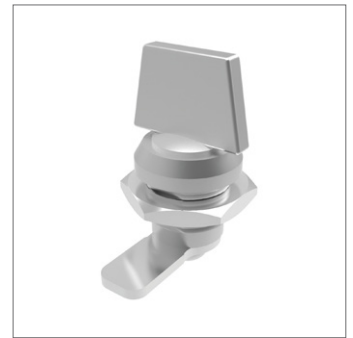
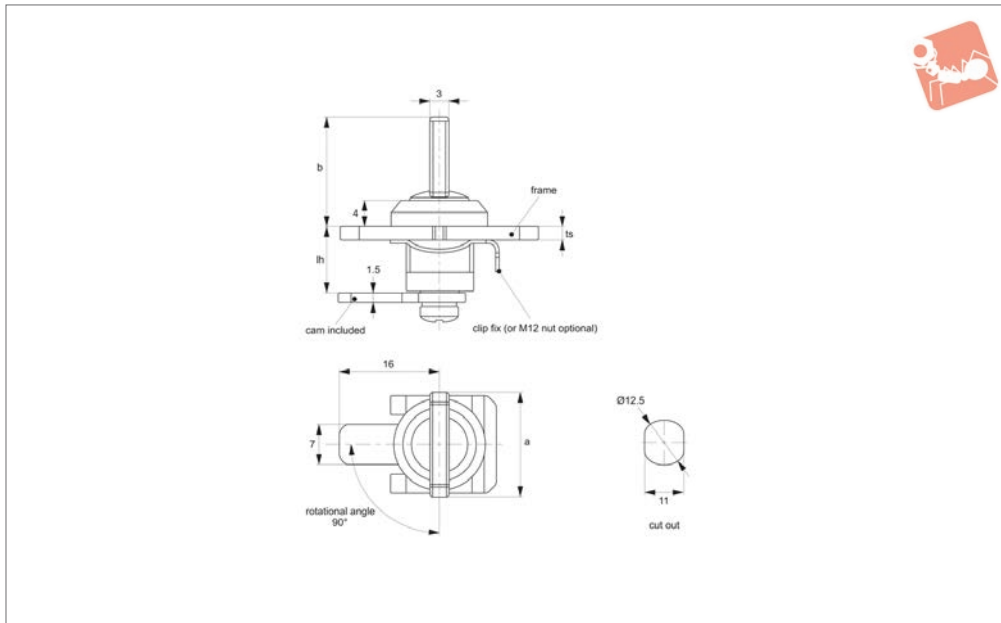


# Mini Cam Latches - Wing Handle

fixed grip - zinc



## Cam Latches



### A1192

CAM LATCHES

#### Material

Body & Handle: die cast zinc, bright chrome plated.

**Supplied with:** Cam.

#### Technical Notes

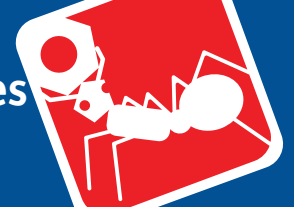
Suitable for max. panel thickness 1-2mm.

Can be fixed to panel either via spring clip fix, or M12 nut.




#### Tips

Quarter-turn opening or closing.  
Wing actuates lock and also acts as knob/handle.

Order No.	Type	a	b	lh	ts
A1192.AW0175	Clip Fixing	17.5	16.5	10	1-2mm
A1192.AW1175	Nut Fixing	17.5	16.5	10	1-2mm



Miscellaneous Cut out	Actuation Method			Body length (mm)	Body			Finishes			Cam Type	
	Insert Driver	Cylinder Lock	Manual/Grip		Die-Cast Zinc	Polyamide Plastic	Stainless Steel	Chrome Plated	Black Coated	Natural	With Projection	W/O Projection
			✓	10	✓		✓					
<b>A1192 - Mini Cam Latch - Wing Handle - Fixed Grip</b> Cams: Supplied - Keys: N/A												
	✓			25		✓		✓				54
<b>A1506 - Panel Latches - Fixed Grip</b> Cams: Supplied - Keys: A0102												
	✓			18	✓				✓			
<b>A1520 - Cam Lock - Fixed Grip</b> Cams: Supplied - Keys: A0102												
			✓		✓		✓					
<b>A1546 - Panel Latch - Uncovered</b> Cams: Supplied - Keys: N/A												
	✓			22,5	✓				✓			
<b>A1561 - Panel Latch - with Cover</b> Cams: Supplied - Keys: N/A												
	✓				✓			✓				
<b>A1701 - Compression Latch - Lever Latch - Flush Trigger</b> Cams: N/A - Keys: Supplied												
	✓			19	✓			✓				
<b>A1707 - Compression Latch - Lever Latch - Raised Trigger</b> Cams: Supplied - Keys: Supplied												
	✓				✓			✓				
<b>A1751 - Compression Latch - Lever Latch</b> Cams: N/A - Keys: Supplied												

Miscellaneous Cut out	Actuation Method			Body length (mm)	Body			Finishes			Cam Type	
	Insert Driver	Cylinder Lock	Manual/Grip		Die-Cast Zinc	Polyamide Plastic	Stainless Steel	Chrome Plated	Black Coated	Natural	With Projection	W/O Projection
	✓				✓			✓			✓	40
<b>A4241 - Cam Latch - with Rod Control - Extended Cover</b> Cams: A0203, A0224, A0240 - Keys: A0102												
		✓			✓			✓			✓	54
<b>A4260 - Cam Lock - with Rod Control - Wing Handle - Extended Cover</b> Cams: A0203, A0224, A0240 - Keys: A0102												
	✓			Various	✓			✓			✓	
<b>A4221 - Cam Latch - with Rod Control - with Cover</b> Cams: A0203, A0224 - Keys: A0102												

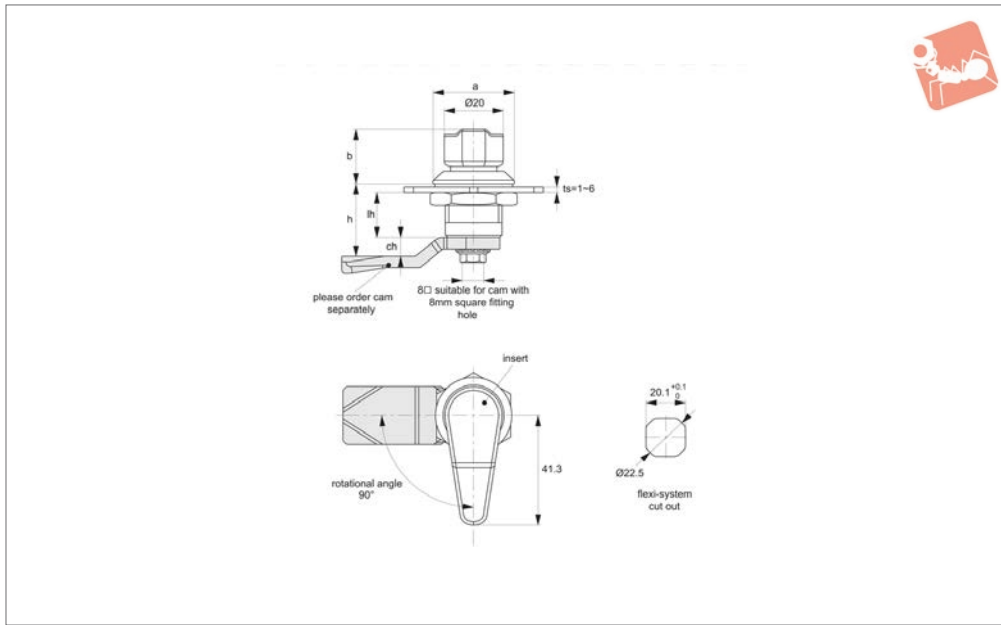


# Cam Latches - Flexi-System

fixed grip - finger handle



## Cam Latches



### A1203

CAM LATCHES

#### Material

**Type one:** Body: die cast zinc, black powder coated.

Handle: polyamide, black.

**Type two:** Body & handle: polyamide, black.

#### Technical Notes

Order cam separately.

**Cams:** see suitable cam A0203, A0224 and A0240. Select „without projection“ cam

type.

Dimensions ch and cl relate to cam. Use formula to calculate ch (required cam off-set), and refer to cam selection chart;

**ch = h - lh** where;

**ch** = required cam off-set/height.

**h** = grip length (distance between inside of latch face and front of cam).

**lh** = body length of cam latch/lock to be used (see product table below).

**Rods & Guides:** to achieve 3-point latching - A0303, A0321, A0325.

#### Tips

Finger knob actuates lock, and also acts as a handle.

#### Important Notes

Sold subject to pack quantity.

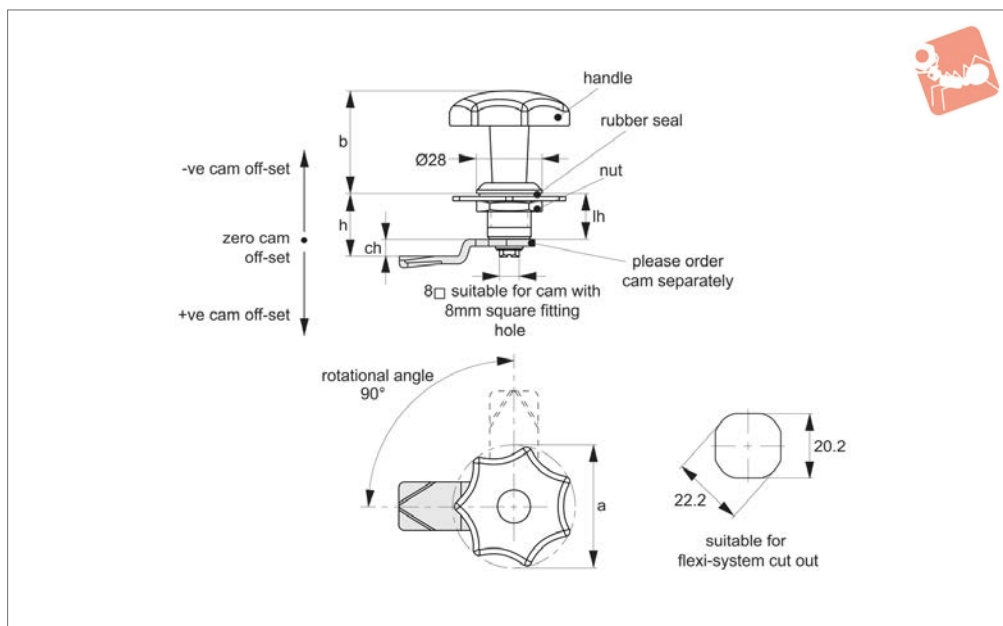
Order No.	Type	a	b	lh
A1203.AW0318	One Zinc	28	18	18
A1203.AW0328	One Zinc	28	18	28
A1203.AW0362	One Zinc	28	18	62
A1203.AW0518	Two Polyamide	28	18	18
A1203.AW0536	Two Polyamide	28	18	36



CAM LATCHES



## A1205



### Material

Body: black powder coated zinc or polyamide.

Handle: polyamide, black.

Fitted with sealing gasket to achieve IP54 rating.

Sealing washer: rubber.

**Not supplied:** CAM nor KEY - order separately.

### Technical Notes

Order cam and key separately.

**Cams:** see suitable cam A0203 (steel), A0210 (stainless). Select „without projection“ cam type.

Dimensions  $ch$  and  $cl$  relate to cam. Use formula to calculate  $ch$  (required cam off-

set), and refer to cam selection chart;

**$ch = h - lh$**  where;

**$ch$**  = required cam off-set/height.

**$h$**  = grip length (distance between inside of latch face and front of cam).

**$lh$**  = body length of cam latch/lock to be used (see product table below).

Suitable for panel thickness 1-6mm.

Order No.	Material	a	b	lh
A1205.AW0018	Zinc Body, PA Handle	27	18	18
A1205.AW0028	Zinc Body, PA Handle	27	28	18
A1205.AW0036	Zinc Body, PA Handle	27	36	18
A1205.AW0062	Zinc Body, PA Handle	27	62	18
A1205.AW1018	PA Body & Handle	27	18	18
A1205.AW1028	PA Body & Handle	27	28	18



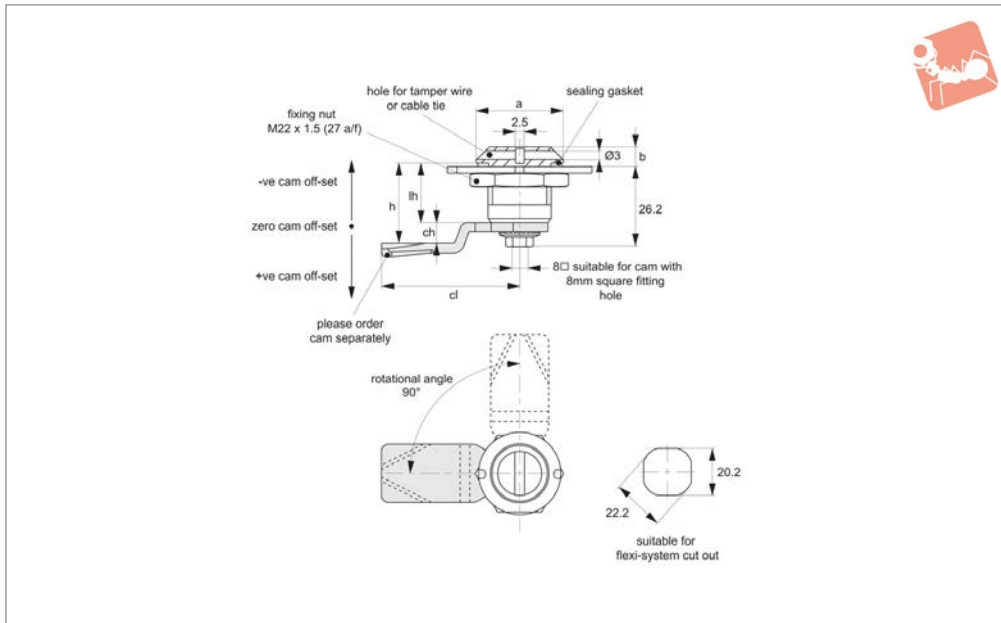


# Cam Latches - Flexi-System

tamper evident - for wire or cable tie - zinc



## Cam Latches



## A1210

CAM LATCHES

### Material

Body & Insert: die cast zinc, bright chrome plated.

**Supplied With:** Nut: steel.

**Not supplied:** CAM - order separately.

### Technical Notes

Order cam and key separately.

**Cams:** see suitable cam A0203, A0224 and

A0240. Select „without projection“ cam type.

Dimensions ch and cl relate to cam. Use formula to calculate ch (required cam off-set), and refer to cam selection chart;

**ch = h - lh** where;

**ch** = required cam off-set/height.

**h** = grip length (distance between inside of

latch face and front of cam).

**lh** = body length of cam latch/lock to be used (see product table below).

**Keys:** see A0102.

**Rods & Guides:** to achieve 3-point latching - A0303, A0321, A0325.

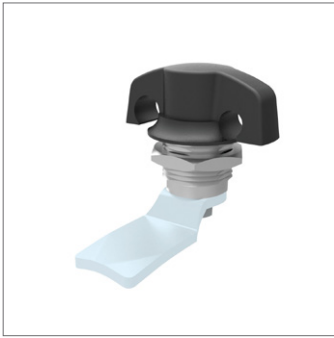
### Tips

Quarter-turn opening or closing.

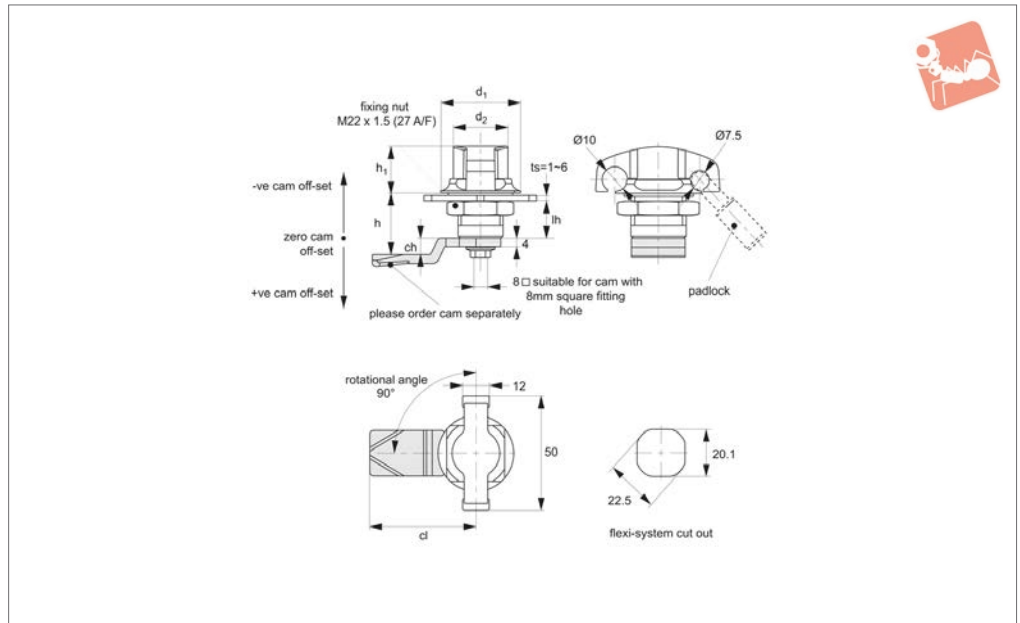
Order No.	a	b	lh
A1210.AW0028	28	6.5	20



CAM LATCHES



## A1161



### Material

Body & Handle: die cast zinc, pocked black powder or chrome plated.

**Not supplied:** CAM - order separately.

### Technical Notes

Order cam separately.

**Cams:** see suitable cam A0203, A0224 and A0240. Select „without projection“ cam type.

Dimensions  $ch$  and  $cl$  relate to cam. Use

formula to calculate  $ch$  (required cam off-set), and refer to cam selection chart;

**$ch = h - lh$**  where;

**$ch$**  = required cam off-set/height.

**$h$**  = grip length (distance between inside of latch face and front of cam).

**$lh$**  = body length of cam latch/lock to be used (see product table below).

**Rods & Guides:** to achieve 3-point latching - A0303, A0321, A0325.

### Tips

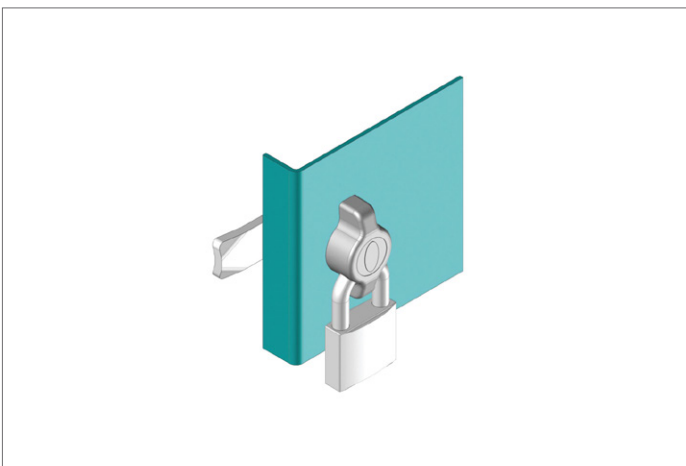
The wing knob can be locked by two sizes of padlock max. shackle dia. 7.5mm or 10mm. See technical diagram (padlock not supplied).

Panel thickness ( $ts$ ) is 1 to 6mm max.

### Important Notes

Sold subject to pack quantity.

Order No.	Type	$d_1$	$h_1$	$d_2$	$lh$	Finish
A1161.AW0310	Black Coated	33	19	21	18	black coated



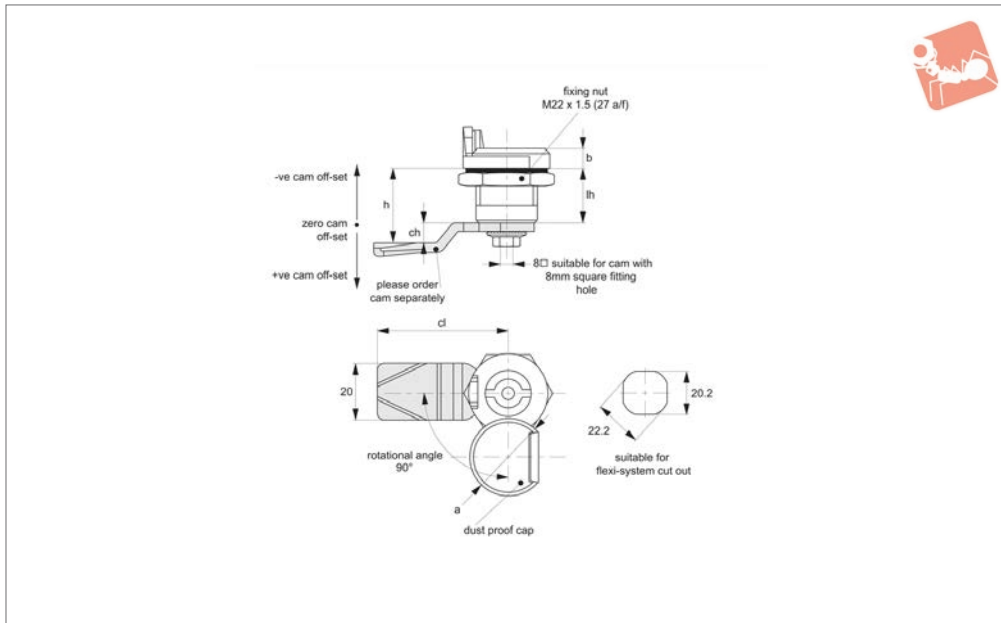


# Cam Latches - Flexi-System

insert driver - fixed grip - zinc



## Cam Latches



## A1168

CAM LATCHES

### Material

Body & Insert: die cast zinc, bright chrome plated. Insert fitted with O'ring to achieve IP54 rating.

### Supplied with:

Cap: dust-proof.

**Not supplied:** CAM nor KEY - order separately.

### Technical Notes

Order cam and key separately.

**Cams:** see suitable cam A0203, A0224 and A0240. Select „without projection“ cam type.

Dimensions **ch** and **cl** relate to cam. Use formula to calculate **ch** (required cam off-set), and refer to cam selection chart;

**ch = h - lh** where;

**ch** = required cam off-set/height.

**h** = grip length (distance between inside of latch face and front of cam).

**lh** = body length of cam latch/lock to be used (see product table below).

**Keys:** see A0102.

**Rods & Guides:** to achieve 3-point latching - A0303, A0321, A0325.

### Tips

Quarter turn opening or closing.

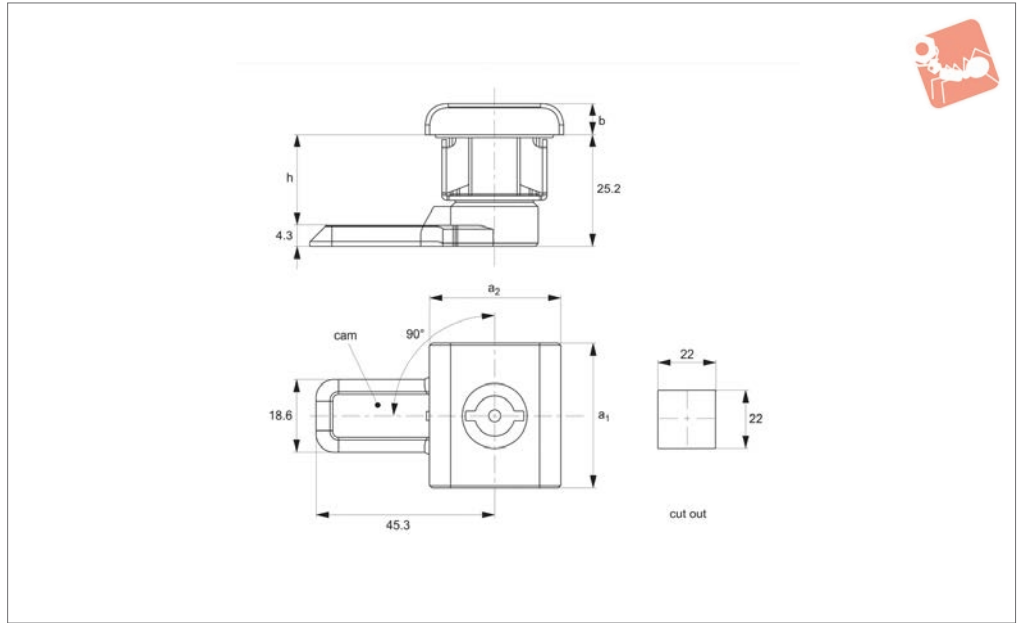
Order No.	Insert driver	a	b	lh
A1168.AW0007	Square 7	29	6.5	18
A1168.AW0008	Square 8	29	6.5	18
A1168.AW0017	Triangle 7	29	6.5	18
A1168.AW0018	Triangle 8	29	6.5	18
A1168.AW0103	3mm Double Bit	29	6.5	18
A1168.AW0104	4mm Double Bit	29	6.5	18
A1168.AW0124	Slotted (2x4)	29	6.5	18



CAM LATCHES



## A1506



### Material

Housing & insert: stainless steel, 304 mirror polished. Sealed to achieve IP54 rating.

**Supplied with:** Cam: die cast zinc. **Not supplied:** KEY - order separately.

### Technical Notes

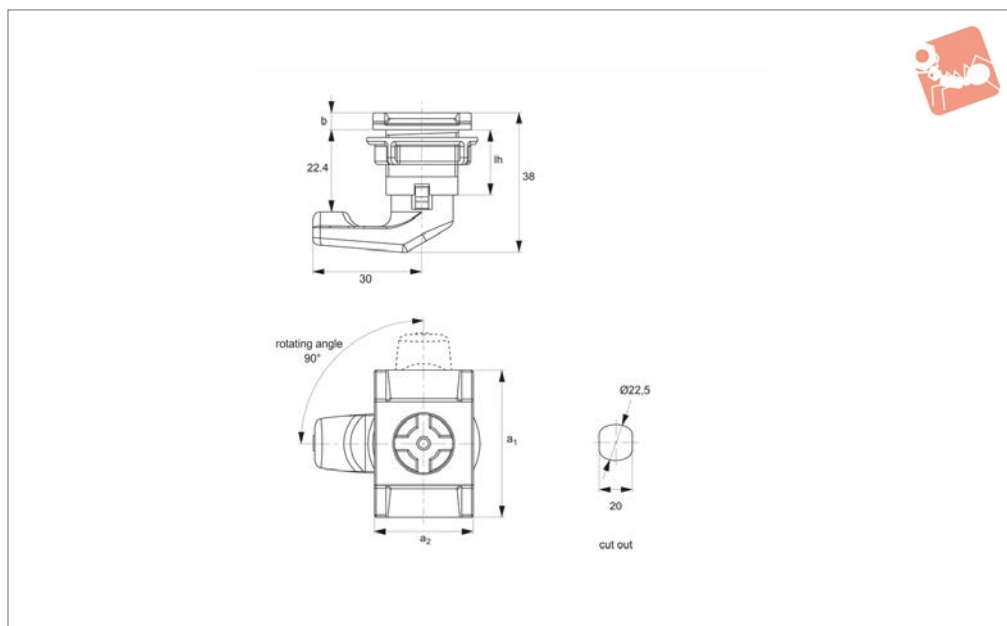
Order key separately. Suitable keys - A0102.  
Fixed grip length (h)=20,9.

Order No.	Insert	$a_1$	$a_2$	$b$	$h$
A1506.AW0036	3mm Double Bit	36	32	7	20.9



# Panel Latches - Plastic insert driver - low profile

## Cam Latches



### A1520

CAM LATCHES

#### Material

Housing, insert and nut: plastic.

Supplied with: CAM

Not supplied: KEY - order separately.

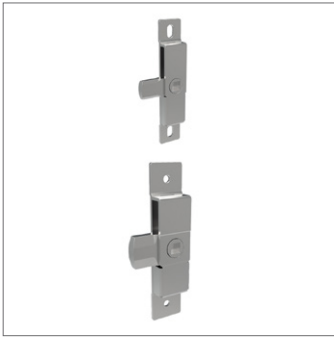
#### Technical Notes

Order key separately. Suitable key - A0102.

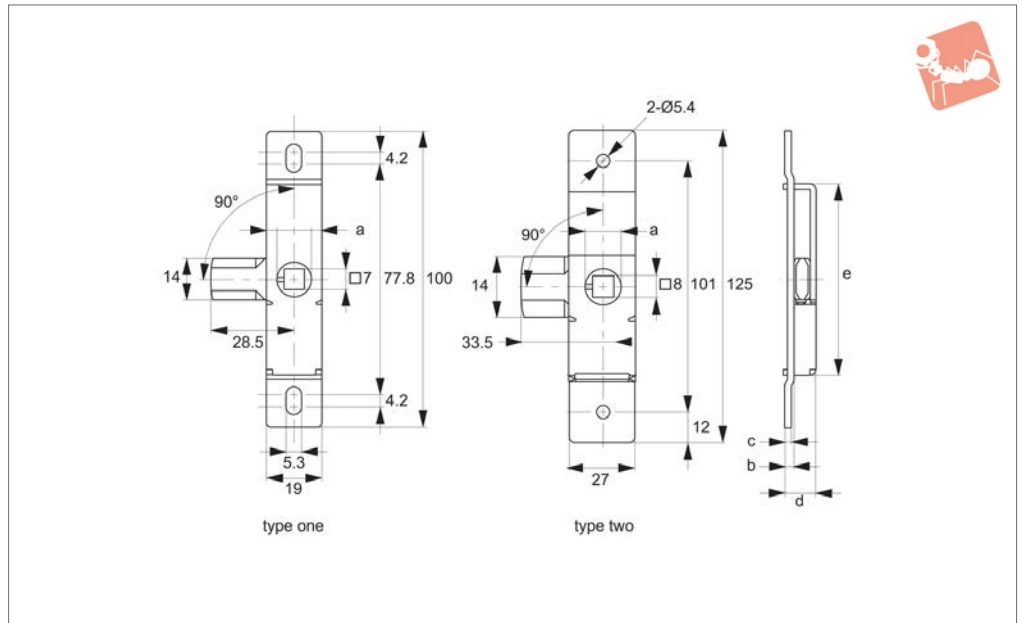
Order No.	Insert type	a <sub>1</sub>	a <sub>2</sub>	b	lh
A1520.AW0010	3mm Double Bit	39.5	26.5	4.6	18



CAM LATCHES



## A1546



### Material

Body & insert: Q235 steel, zinc plated.

**Supplied with:** Cam: stainless steel.

### Technical Notes

Can be used with a square 7 or 8 square bar for handle/key opening.

Fix internally to panels or enclosures via rivets, or M 5 screws (not supplied).

Order No.	Insert type	Type	a	b	c	d	e
A1546.AW0012	Square 7	Type One	12	3.0	2.0	10.4	65.0
A1546.AW0015	Square 8	Type Two	15	3.5	2.5	15.1	76.2

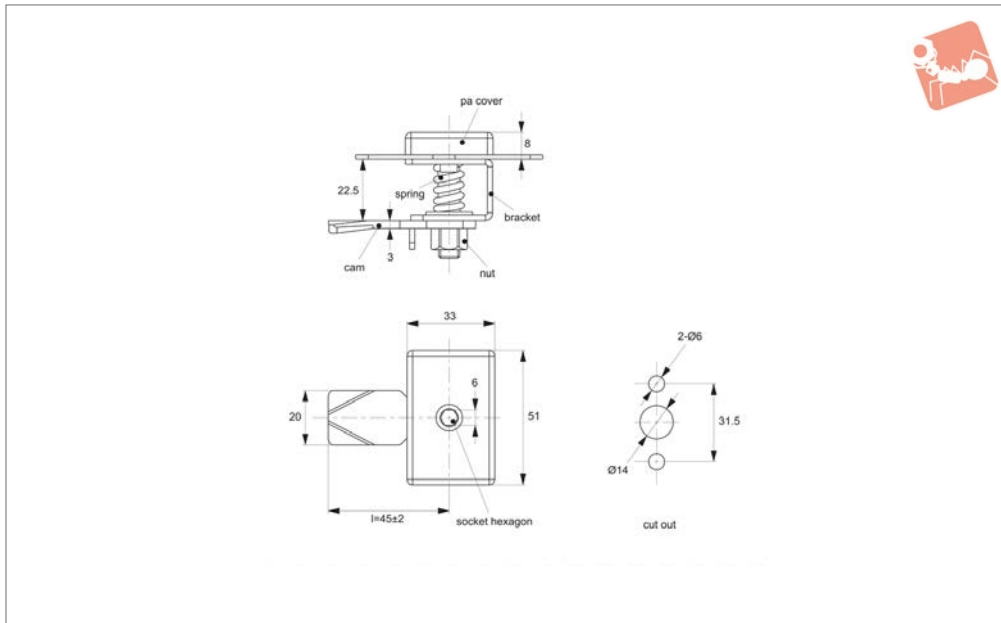


# Panel Latches

plastic cover - hexagon driver



## Cam Latches



**A1561**

CAM LATCHES

**Material**

Body & cam: steel, white zinc plated.  
Cover: plastic, PA.

**Supplied with:** CAM: steel, white zinc plated.

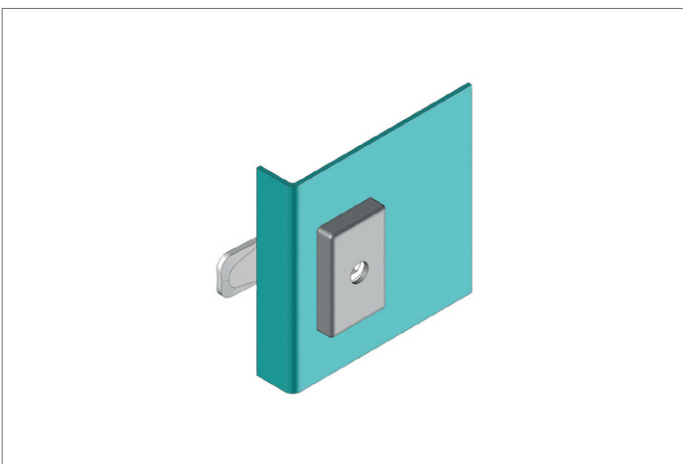
**Not supplied:** KEY. Use standard 6mm allen/hex key to actuate latch.

**Technical Notes**

For use on electrical panels and machinery

covers. Lock for use inside of panel gasket. Standard cam supplied achieves grip length of 22,5mm.

Order No.	Type	Grip length
A1561.AW0024	Right Hand Lock	22,5mm
A1561.AW0224	Left Hand Lock	22,5mm

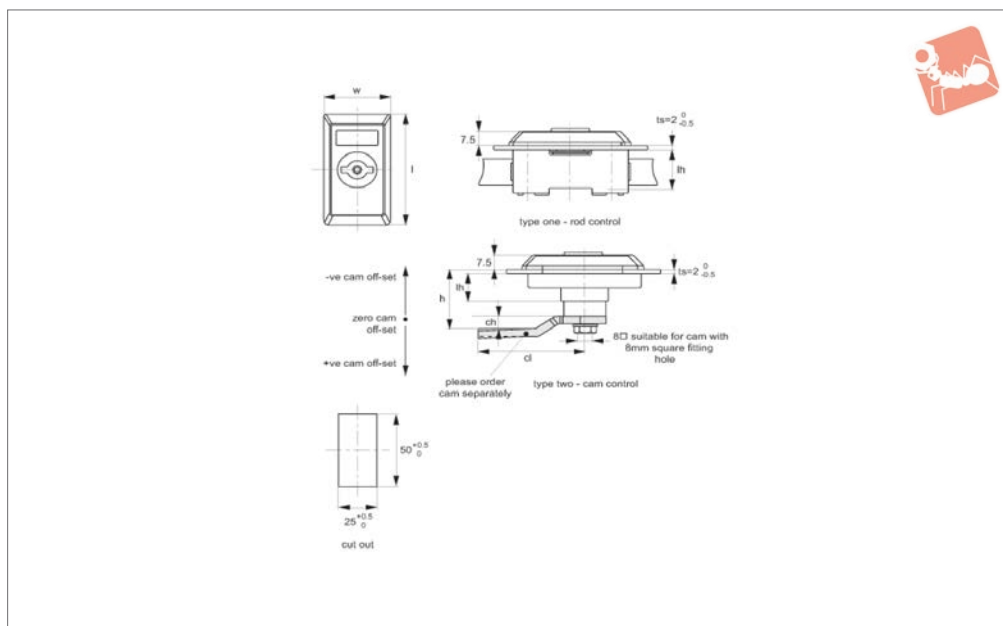




CAM LATCHES



## A4221



### Material

Panel: black PA.

Insert: die cast zinc, bright chrome-plated  
Cam and rod: white zinc plated steel. **Type one:** rod control system.

**Type two:** cam control.

**Not Supplied:** CAM nor Key: order separately.

### Technical Notes

Order cam and key separately.

**Cams:** see suitable cam A0203, A0224 and A0240. Select „without projection“ cam type.

Dimensions ch and cl relate to cam. Use formula to calculate ch (required cam off-set), and refer to cam selection chart;

**ch = h - lh** where;

**ch** = required cam off-set/height.

**h** = grip length (distance between inside of latch face and front of cam).

**lh** = body length of cam latch/lock to be used (see product table below).

**Keys:** see A0102.

**Rods & Guides:** to achieve 3-point latching - A0303, A0321, A0325.

### Tips

Ideal for electrical cabinets & enclosures with max. panel thickness of 2mm.

Order No.	Insert driver	Type	l	w	lh	ts max.
A4221.AW0010	4mm Double Bit	Rod Control	57.5	30	23	2
A4221.AW0020	Triangle 8	Rod Control	57.5	30	23	2
A4221.AW0030	Square 7	Rod Control	57.5	30	23	2
A4221.AW0310	4mm Double Bit	Cam Control	57.5	30	16	2
A4221.AW0320	Triangle 8	Cam Control	57.5	30	16	2
A4221.AW0330	Square 7	Cam Control	57.5	30	16	2
A4221.AW0340	Square 8	Cam Control	57.5	30	16	2



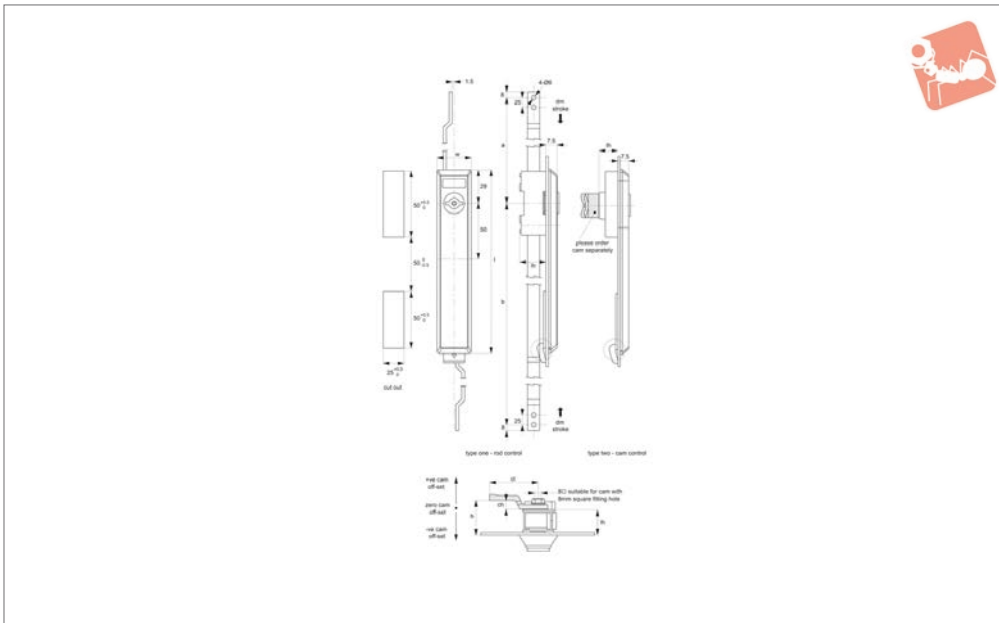


# Cam Latches - with Rod Control

extended cover - fixed grip - 2 off 25 x 50 cut out



## Cam Latches



### A4241

CAM LATCHES

#### Material

Panel: black PA.  
 Cam and Rod: steel.  
 Insert: die cast zinc, chrome-plated  
**Type one:** rod control system.  
**Type two:** cam control.  
**Not Supplied:** Cam nor Key: order separately.

#### Technical Notes

Order cam and key separately.

**Cams:** see suitable cam A0203, A0224 and A0240. Select „without projection“ cam type.  
 Dimensions ch and cl relate to cam. Use formula to calculate ch (required cam off-set), and refer to cam selection chart;  
**ch = h - lh** where;  
**ch** = required cam off-set/height.  
**h** = grip length (distance between inside of latch face and front of cam).

**lh** = body length of cam latch/lock to be used (see product table below).  
**Keys:** see A0102.  
**Rods & Guides:** to achieve 3-point latching - A0303, A0321, A0325.  
**Tips**  
 Insert quarter turn combines with rod latch system to open or close. Suitable for panel thicknesses of 2mm.

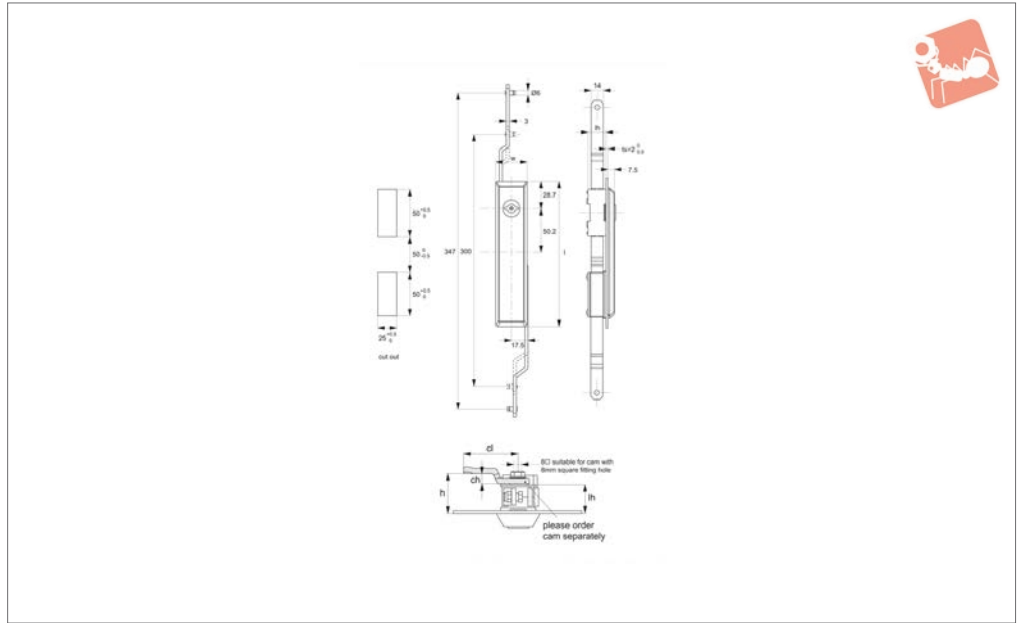
Order No.	Insert driver	Type	l	w	lh
A4241.AW0010	3mm Double Bit	Rod Control	157.5	30	23
A4241.AW0020	Triangle 8	Rod Control	157.5	30	23
A4241.AW0030	Square 7	Rod Control	157.5	30	23
A4241.AW0040	Square 8	Rod Control	157.5	30	23
A4241.AW0310	3mm Double Bit	Cam Control	157.5	30	16
A4241.AW0320	Triangle 8	Cam Control	157.5	30	16
A4241.AW0330	Square 7	Cam Control	157.5	30	16
A4241.AW0340	Square 8	Cam Control	157.5	30	16



CAM LATCHES



A4260



**Material**

Body: polyamide. Unique integral polyurethane gasket, to achieve IP54 rating. Rod control mechanism: die cast zinc. Driver Insert: die cast zinc, chrome plated. **Not supplied:** Key: order separately.

**Technical Notes**

Order cam and key separately.

**Cams:** see suitable cam A0203, A0224 and A0240. Select „without projection“ cam type.

Dimensions ch and cl relate to cam. Use formula to calculate ch (required cam off-set), and refer to cam selection chart; **ch = h - lh** where; **ch** = required cam off-set/height.

**h** = grip length (distance between inside of latch face and front of cam).

**lh** = body length of cam latch/lock to be used (see product table below).

**Keys:** see A0102.

**Rods & Guides:** to achieve 3-point latching - A0303, A0321, A0325.

Order No.	Insert driver	l	w	lh
A4260.AW0010	3mm Double Bit	157.4	32.4	22

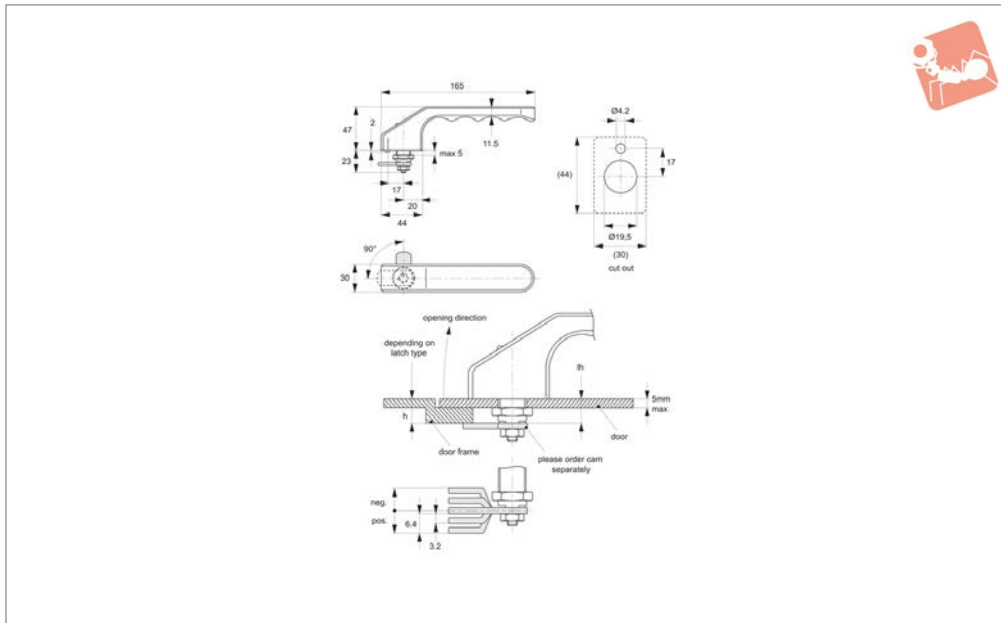


# Cam Locks - Heavy Duty Handle

## L-handle - fixed grip



# Cam Latches



## A4600

CAM LATCHES

### Material

Body: aluminium, AIMgSi 0,5 vibration ground. Natural or black anodized.

**Supplied with:** Key.

**Not supplied:** CAM - order separately.

### Technical Notes

**Order cam separately.**

**Cams:** see A0250. Dimensions ch & cl relate to cam. Use formula to calculate ch (required cam off-set), and refer to cam selection chart;

**ch = h - lh** where;

**ch** = required cam off-set/height.

**h** = grip length (distance between inside of

lock face and front of cam).

**lh** = body length of cam latch/lock to be used (see product table below).

### Tips

Heavy duty quarter turn handle for machinery covers, panels etc.

Maximum panel thickness of 5mm.

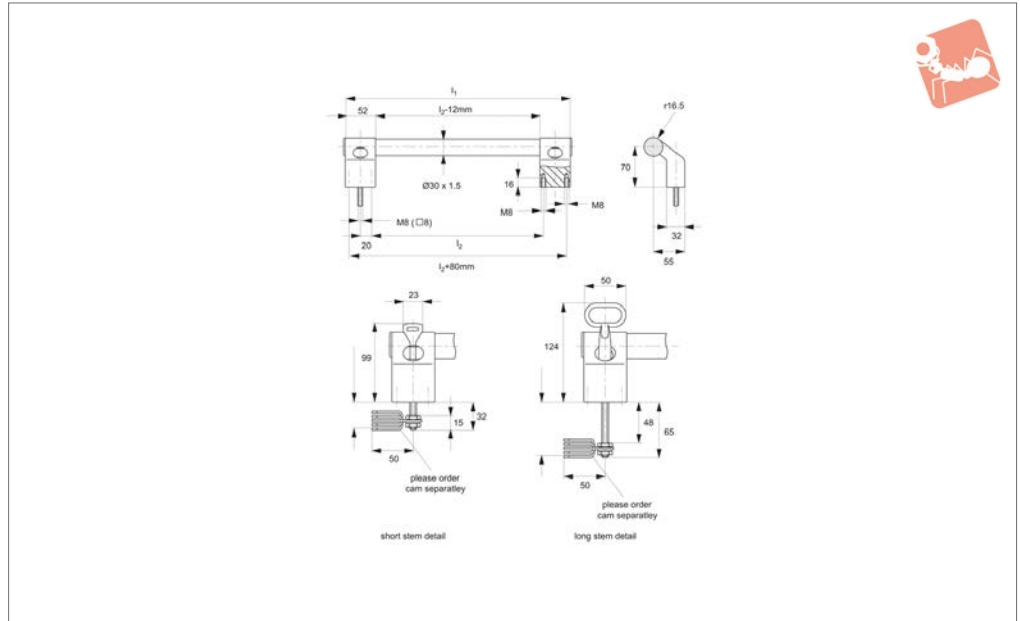
Order No.	Finish	Lock type	Key type	lh
A4600.AC0165	Natural	Cylindrical Pin	Keyed Alike	13.5
A4600.AC0665	Black Anodized	Cylindrical Pin	Keyed Alike	13.5



CAM LATCHES



## A4620



### Material

Handle shank: extruded aluminium, AIMgSi 0,5, black anodized.  
 Handle tube: stainless steel 1.4301, tube  $\varnothing 30 \times 1,5mm$ . Precision ground.

**Supplied with:** Key.

**Not supplied:** CAM - order separately.

### Technical Notes

**Order cam separately.**

**Cams:** see A0250. Dimensions ch & cl

relate to cam. Use formula to calculate ch (required cam off-set), and refer to cam selection chart;

**ch = h - lh** where;

**ch** = required cam off-set/height.

**h** = grip length (distance between inside of lock face and front of cam).

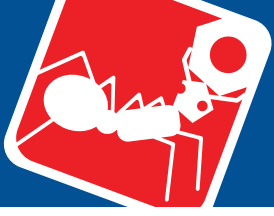
**lh** = body length of cam latch/lock to be used (see product table below).

### Tips

Heavy duty pull handle with quarter turn fastener for machine guards, covers, panels etc.

A4620 has threaded stem of either 32mm (short stem) or 65mm (long stem) which can be cut to length to achieve h dimension (grip length) of your choice, to best suit your application.

Order No.	Lock type	Stem	$l_1$	$l_2$
A4620.AC0137	Square Insert	Short	392	300
A4620.AC0138	Safety Lock	Short	392	300
A4620.AC0147	Square Insert	Short	492	400
A4620.AC0148	Safety Lock	Short	492	400
A4620.AC0167	Square Insert	Short	692	600
A4620.AC0168	Safety Lock	Short	692	600
A4620.AC0237	Square Insert	Long	392	300
A4620.AC0238	Safety Lock	Long	392	300
A4620.AC0247	Square Insert	Long	492	400
A4620.AC0248	Safety Lock	Long	492	400
A4620.AC0267	Square Insert	Long	692	600
A4620.AC0268	Safety Lock	Long	692	600



# Cam Locks - Heavy Duty Pull Handle

adjustable grip



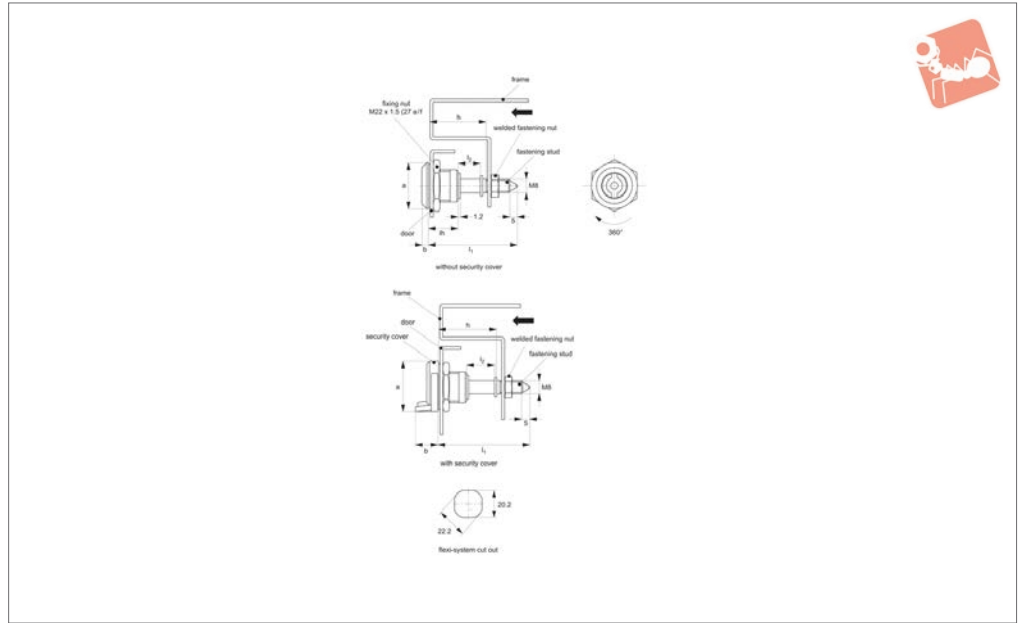
## Cam Latches



CAM LATCHES



## A1580



### Material

Body: die cast zinc, bright chrome plated.  
Insert: steel.

**Not supplied:** KEY - order separately.

### Technical Notes

**Order key separately.**

**Keys:** see A0102.AW0060.

Insert driver compression latch enabling tight securing of enclosure door. Via welding a fastening nut (M 8) to the enclosure frame the fastening stud can be engaged and turned until the enclosure door is adequately tightened and secured (use triangle 7 key A0102.AW0060 to activate driver).

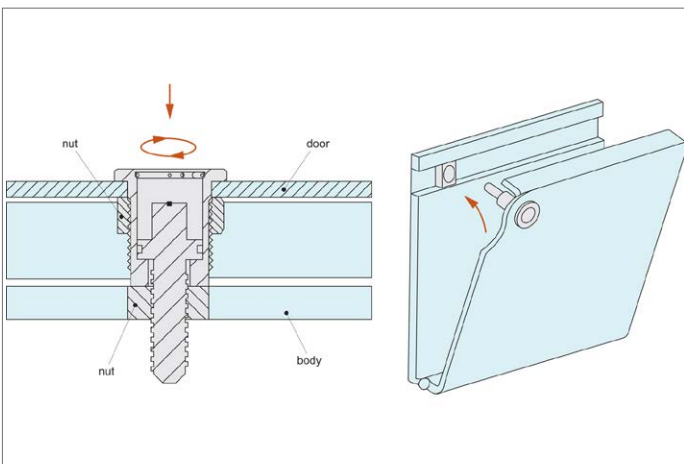
vate driver).

### Tips

Security cover type can be secured with wire or cable tie for tamper evident security.

h = grip length.

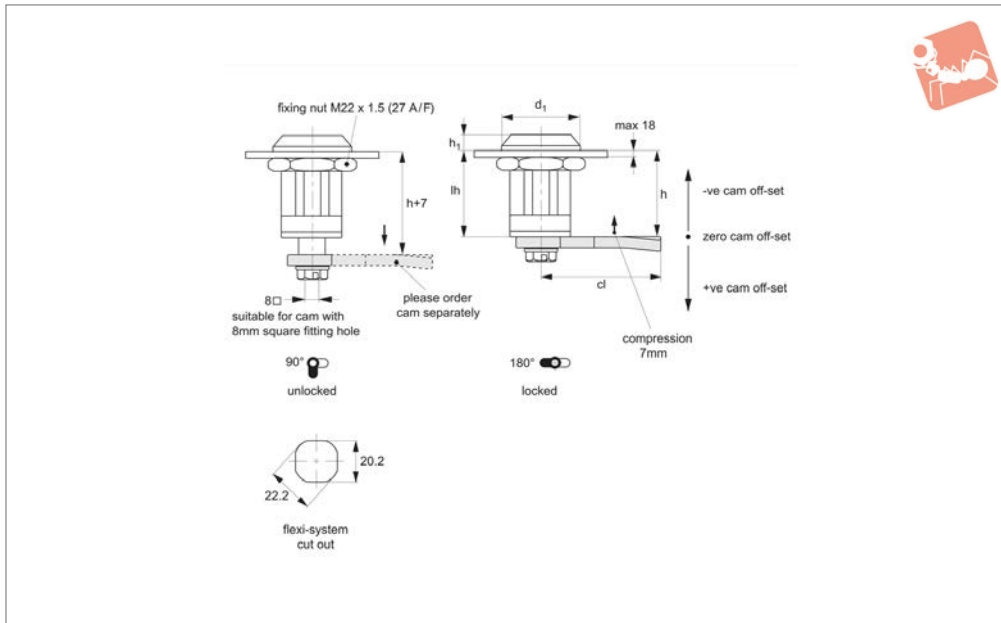
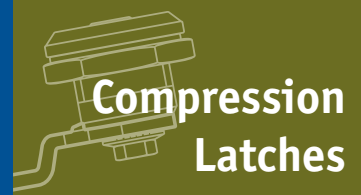
Order No.	Insert type	Lock type	a	b	lh	l <sub>1</sub>	l <sub>2</sub>	h
A1580.AW0023	Triangle 7	W/o Security Cover	28	4	18	40	2.5	23
A1580.AW0028	Triangle 7	W/o Security Cover	28	4	18	46	7.5	28
A1580.AW0034	Triangle 7	W/o Security Cover	28	4	18	54	13.5	34
A1580.AW0223	Triangle 7	With Security Cover	29	13	18	40	2.5	23
A1580.AW0228	Triangle 7	With Security Cover	29	13	18	46	7.5	28
A1580.AW0234	Triangle 7	With Security Cover	29	13	18	54	13.5	34





# Compression Latches - Flexi-System

insert driver - fixed grip - zinc



## A1601

COMPRESSION LATCHES

### Material

Body & insert: die cast zinc, finished in chrome plate or black powder coating.  
Insert fitted with O'ring to provide IP54 rating.

Handle: polyamide.

**Not supplied:** CAM nor KEY - order separately.

### Technical Notes

Order cam and key separately.

**Cams:** see suitable cam A0203 and A0224.

Select „without projection“ cam type.

Dimensions  $ch$  and  $cl$  relate to cam. Use formula to calculate  $ch$  (required cam off-set), and refer to cam selection chart;

**$ch = h - lh$**  where;

**$ch$**  = required cam off-set/height.

**$h$**  = grip length (distance between inside of latch face and front of cam).

**$lh$**  = body length of cam latch/lock to be used (see product table below).

**Keys:** see A0102.

### Tips

Compression locks provide sealing of enclosures to reduce vibration and to provide noise isolation.

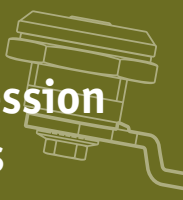
### Action:

From unlocked position, first 90° turn moves the cam to the locking position. Turn lock 180° to engage compression, cam moves to final fixing position.

**Provides a 7mm compression stroke.**

Order No.	Finish	Insert driver	$d_1$	$h_1$	$lh$
A1601.AW0020	Chrome Plated	Square 8	28	5.5	31
A1601.AW0320	Black Coated	Square 8	28	5.5	31
A1601.AW0040	Chrome Plated	Triangle 7	28	5.5	31
A1601.AW0340	Black Coated	Triangle 7	28	5.5	31
A1601.AW0050	Chrome Plated	Triangle 8	28	5.5	31
A1601.AW0350	Black Coated	Triangle 8	28	5.5	31
A1601.AW0080	Chrome Plated	Slot (2x4)	28	5.5	31
A1601.AW0380	Black Coated	Slot (2x4)	28	5.5	31
A1601.AW0085	Chrome Plated	Hexagon 8	28	5.5	31
A1601.AW0385	Black Coated	Hexagon 8	28	5.5	31

# Compression Latches

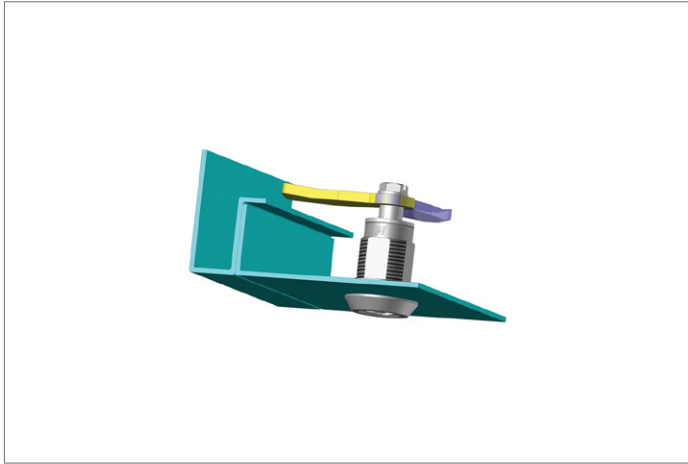


## Compression Latches - Flexi-System

insert driver - fixed grip - zinc



COMPRESSION LATCHES





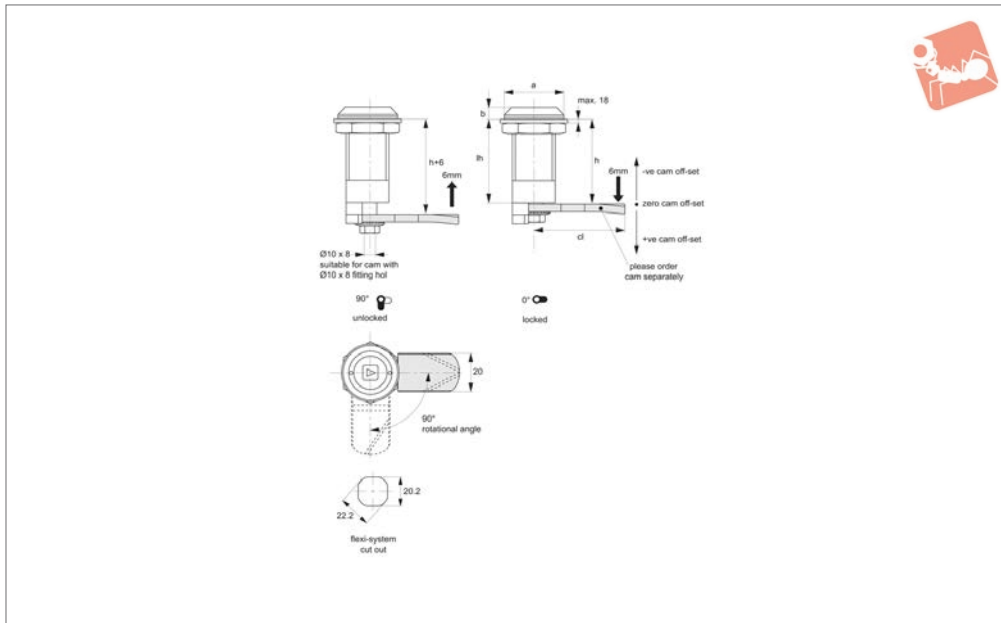


# Compression Latches - Flexi-System

insert driver - fixed grip - stainless steel



## Compression Latches



**A1603**

COMPRESSION LATCHES

### Material

Body & insert: stainless steel, AISI 304.  
 Insert fitted with O'ring to provide IP54 rating.  
 Shaft: steel, white zinc plated.  
**Not supplied:** KEY - order separately.

### Technical Notes

Order cam and key separately.  
**Cams:** see suitable cam A0231 and A0233.  
 Select „without projection“ cam type.  
 Dimensions ch and cl relate to cam. Use

formula to calculate ch (required cam off-set), and refer to cam selection chart;  
 $ch = h - lh$  where;  
**ch** = required cam off-set/height.  
**h** = grip length (distance between inside of latch face and front of cam).  
**lh** = body length of cam latch/lock to be used (see product table below).  
**Keys:** see A0102.

### Tips

Compression locks provide sealing of

enclosures to reduce vibration and to provide noise isolation.

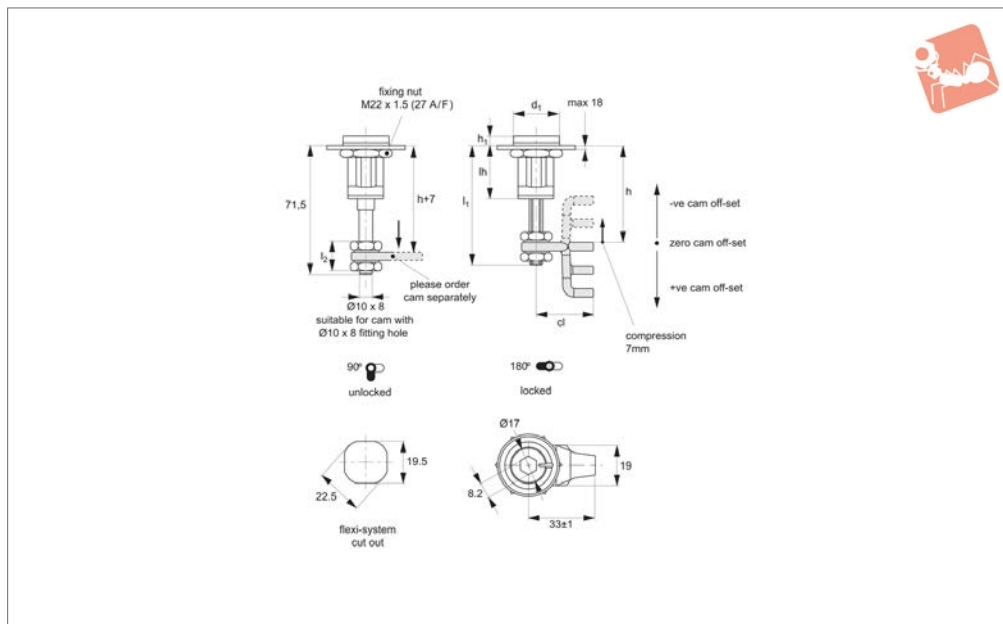
### Action:

From unlocked position, first 90° turn moves the cam to the locking position. Turn lock 180° to engage compression, cam moves to final fixing position.  
**Provides a 6mm compression stroke.**

Order No.	Insert driver	Type	a	b	lh
<b>A1603.AW0020</b>	Square 8	Fixed Grip	28	5	38
<b>A1603.AW0050</b>	Triangle 8	Fixed Grip	28	5	38



## A1611



### Material

Body & insert: die cast zinc, chrome plate or black coated finish. Insert fitted with O'ring to provide IP54 rating.

Handle: polyamide.

**Not supplied:** CAM nor KEY - order separately.

### Technical Notes

Order cam and key separately.

**Cams:** see suitable cam A0231 and A0233.

Select „without projection“ cam type.

Dimensions ch and cl relate to cam. Use

formula to calculate ch (required cam off-set), and refer to cam selection chart;

**ch = h - lh** where;

**ch** = required cam off-set/height.

**h** = grip length (distance between inside of latch face and front of cam).

**lh** = body length of cam latch/lock to be used (see product table below).

**Keys:** see A0102.

### Tips

Compression locks provide sealing of enclosures to reduce vibration and to

provide noise isolation. Adjustable grip type has an extended stem which can be cut in length to best suit your application.

### Action:

From unlocked position, first 90° turn moves the cam to the locking position. Turn lock 180° to engage compression, cam moves to final fixing position.

**Provides a 7mm compression stroke.**

### Important Notes

Cam: quarter turn to open or close. Locking function.

Order No.	Finish	Insert driver	d <sub>1</sub>	h <sub>1</sub>	lh	l <sub>1</sub>	l <sub>2</sub> useful thread
A1611.AW0020	Chrome Plated	Square 8	28	4.5	32	64.5	15
A1611.AW0320	Black Coated	Square 8	28	4.5	32	64.5	15
A1611.AW0040	Chrome Plated	Triangle 7	28	4.5	32	64.5	15
A1611.AW0340	Black Coated	Triangle 7	28	4.5	32	64.5	15
A1611.AW0050	Chrome Plated	Triangle 8	28	4.5	32	64.5	15
A1611.AW0350	Black Coated	Triangle 8	28	4.5	32	64.5	15
A1611.AW0080	Chrome Plated	Slot (2x4)	28	4.5	32	64.5	15
A1611.AW0380	Black Coated	Slot (2x4)	28	4.5	32	64.5	15
A1611.AW0085	Chrome Plated	Hexagon 8	28	4.5	32	64.5	15
A1611.AW0385	Black Coated	Hexagon 8	28	5.5	31	64.5	15

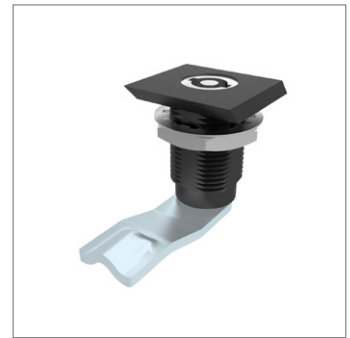
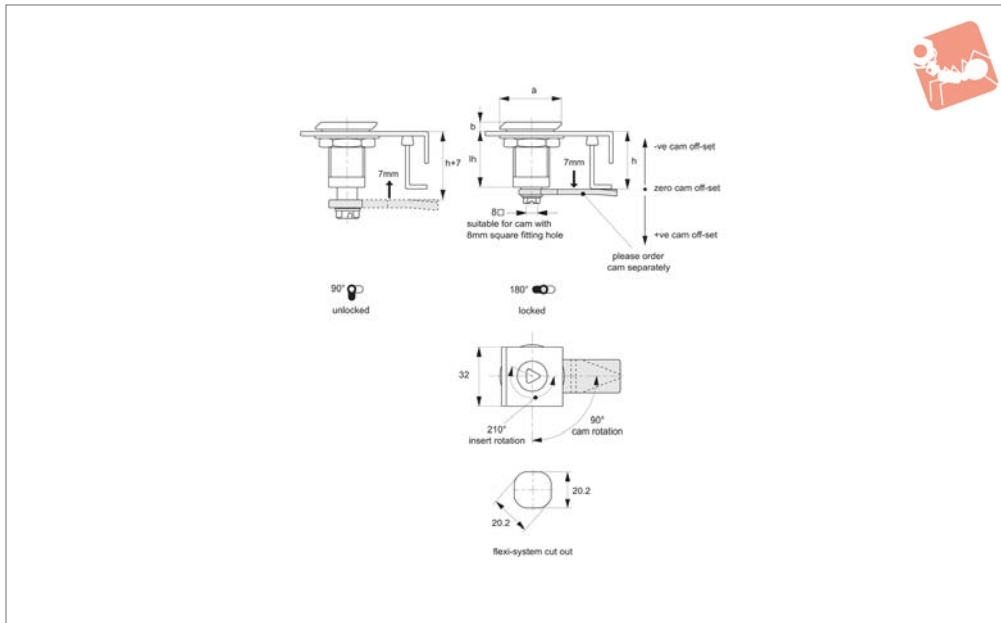


# Compression Latches - Flexi-System

square face - fixed grip - zinc



## Compression Latches



### A1620

COMPRESSION LATCHES

#### Material

Body & insert: die cast zinc, black powder coated. Fitted with O'ring to provide IP54 rating.

**Not supplied:** CAM nor KEY - order separately.

#### Technical Notes

Order cam and key separately.

**Cams:** see suitable cam A0203 and A0224.

Select „without projection“ cam type.

Dimensions  $ch$  and  $cl$  relate to cam. Use formula to calculate  $ch$  (required cam off-set), and refer to cam selection chart;

**$ch = h - lh$**  where;

**$ch$**  = required cam off-set/height.

**$h$**  = grip length (distance between inside of

latch face and front of cam).

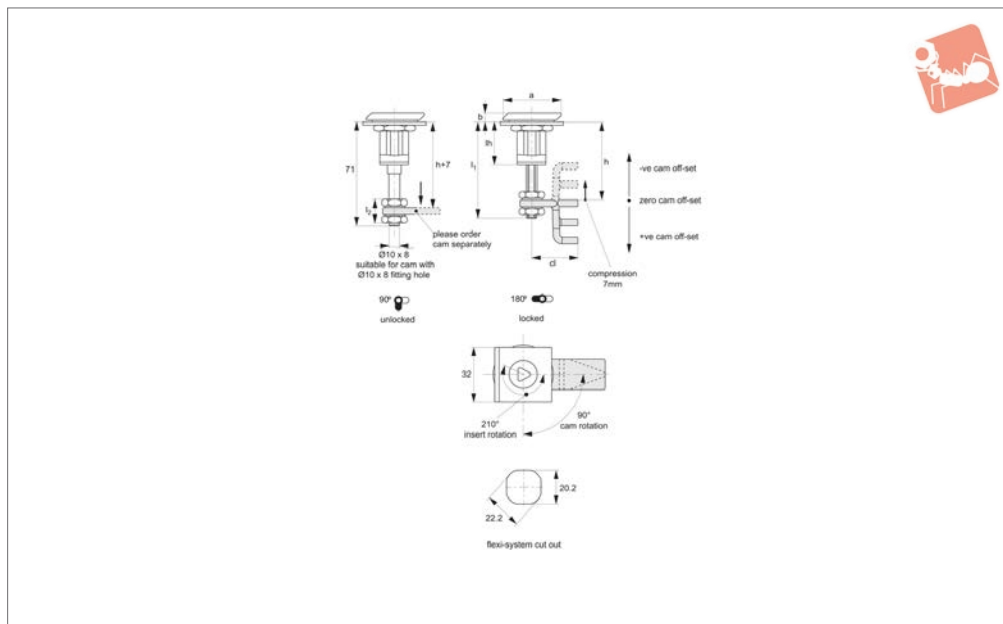
**$lh$**  = body length of cam latch/lock to be used (see product table below).

**Keys:** see A0102.

Order No.	Insert driver	Type	a	b	lh
A1620.AW0020	Square 8	Fixed	34	5	32
A1620.AW0040	Triangle 7	Fixed	34	5	32
A1620.AW0050	Triangle 8	Fixed	34	5	32
A1620.AW0080	Slot (2x4)	Fixed	34	5	32
A1620.AW0085	Hexagon 8	Fixed	34	5	32



## A1630



### Material

Body & insert: die cast zinc, black powder coated. Fitted with O'ring to provide IP54 rating.

**Not supplied:** CAM nor KEY - order separately.

### Technical Notes

Order cam and key separately.

**Cams:** see suitable cam A0231 and A0233.

Select „without projection“ cam type.

Dimensions  $ch$  and  $cl$  relate to cam. Use formula to calculate  $ch$  (required cam off-set), and refer to cam selection chart;

**$ch = h - lh$**  where;

**$ch$**  = required cam off-set/height.

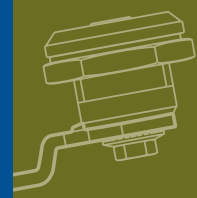
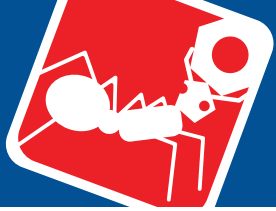
**$h$**  = grip length (distance between inside of

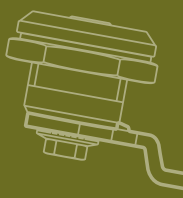
latch face and front of cam).

**$lh$**  = body length of cam latch/lock to be used (see product table below).

**Keys:** see A0102.

Order No.	Insert driver	Type	a	b	lh	l <sub>1</sub>	l <sub>2</sub> useful thread
A1630.AW0020	Square 8	Adjustable	34	5	64	38	15
A1630.AW0040	Triangle 7	Adjustable	34	5	64	38	15
A1630.AW0050	Triangle 8	Adjustable	34	5	64	38	15
A1630.AW0080	Slot (2x4)	Adjustable	34	5	64	38	15
A1630.AW0085	Hexagon 8	Adjustable	34	5	64	38	15



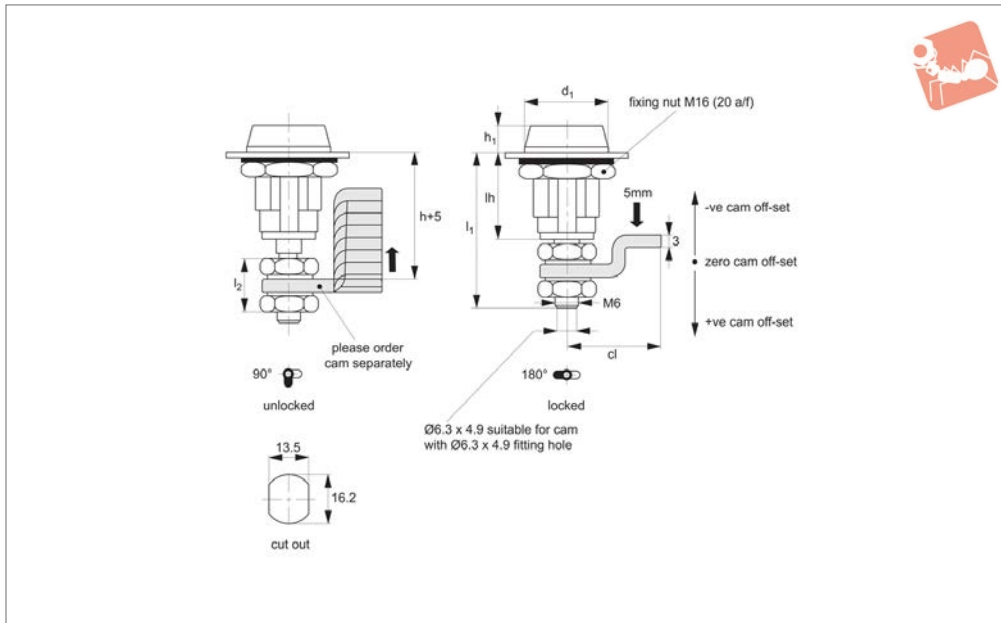




# Mini Compression Latches

insert driver - adjustable grip - zinc

# Compression Latches



## A1661

COMPRESSION LATCHES

### Material

Body & insert: die cast zinc, black paint coated.

Insert fitted with O'ring to provide IP54 rating.

**Not supplied:** CAM nor KEY: order separately.

### Technical Notes

Suitable for material thickness 1-10mm.

**Order keys separately.**

**Cam:** see suitable cam A0234. Select „without projection“ cam type.

Dimensions ch & cl relate to cam. Use

formula to calculate ch (required cam off-set), and refer to cam selection chart;

**ch = h - lh** where;

**ch** = required cam off-set/height.

**h** = grip length (distance between inside of lock face and front of cam).

**lh** = body length of cam latch/lock to be used.

**Keys:** see A0102. For part A16661.AW0006 (Square 6) use key A0102.AW0306 only.

### Tips

Compression locks provide sealing of enclosures to reduce vibration and to

provide noise isolation. Adjustable grip type has an extended stem which can be cut in length to best suit your application.

### Action:

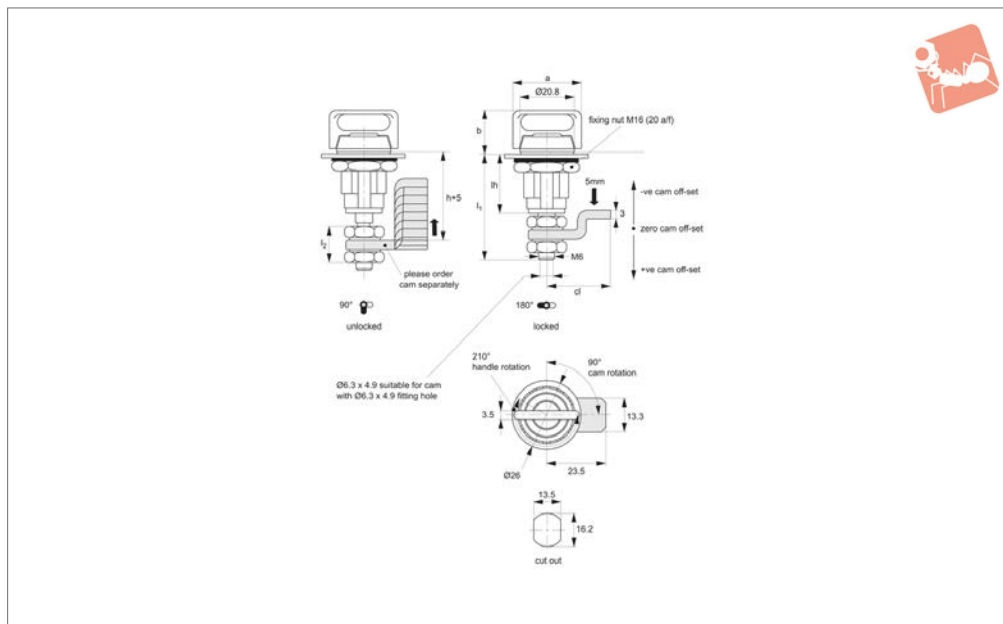
From unlocked position, first 90° turn moves the cam to the locking position. Turn lock 210° to engage compression, cam moves to final fixing position.

**Provides a 5mm compression stroke.**

Order No.	Insert driver	d <sub>1</sub>	h <sub>1</sub>	lh	l <sub>1</sub>	l <sub>2</sub> useful thread
A1661.AW0006	Square 6	20.8	6	22.5	38	15
A1661.AW0080	Slotted (2x4)	20.8	6	22.5	38	15



## A1667



### Material

Body & insert: die cast zinc, black paint coated. Fitted with O'ring to provide IP54 rating.

### Technical Notes

Suitable for material thickness 1-10mm.

**Cam:** see suitable cam A0234. Select „without projection“ cam type.

Dimensions  $ch$  &  $cl$  relate to cam. Use formula to calculate  $ch$  (required cam off-

set), and refer to cam selection chart;

$ch = h - lh$  where;

$ch$  = required cam off-set/height.

$h$  = grip length (distance between inside of lock face and front of cam).

$lh$  = body length of cam latch/lock.

**Keys:** see A0102.

### Tips

Compression locks provide sealing of enclosures to reduce vibration and to

provide noise isolation. Adjustable grip type has an extended stem which can be cut in length to best suit your application.

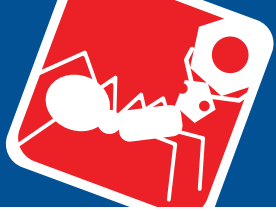
### Action:

From unlocked position, first 90° turn moves the cam to the locking position. Turn lock 210° to engage compression, cam moves to final fixing position.

**Provides a 5mm compression stroke.**

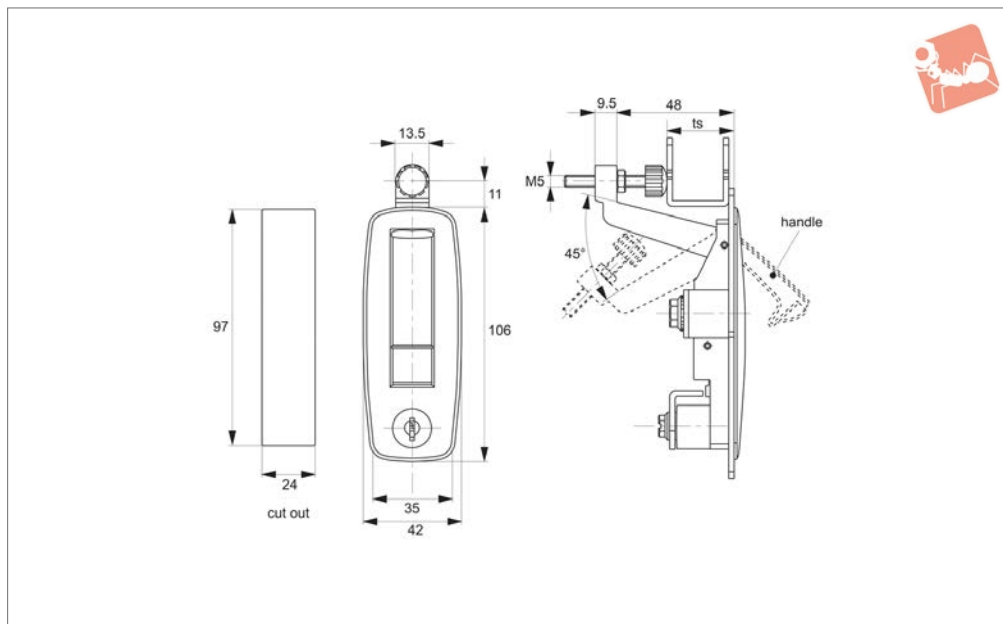
Order No.	Type	Actuation	a	b	lh	l <sub>1</sub>	l <sub>2</sub> useful thread
A1667.AW0010	Fixed	Wing Handle	25.5	12	22.5	38	15







## A1701



### Material

Body and handle and button: die cast zinc, black power coated.

Cylinder lock: die cast zinc.

Screw: steel, white zinc plated.

**Supplied with:** KEY.

### Technical Notes

Grip length can be adjusted via M5 clamping screw to suit your application.

Suitable for panel thickness 20-35mm. For installation cut out see diagram.

### Tips

Quick-open, easy assembling, by adjusting screw meets the needs of distance control.

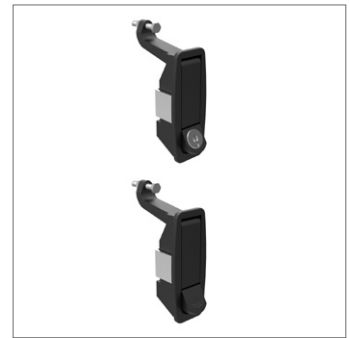
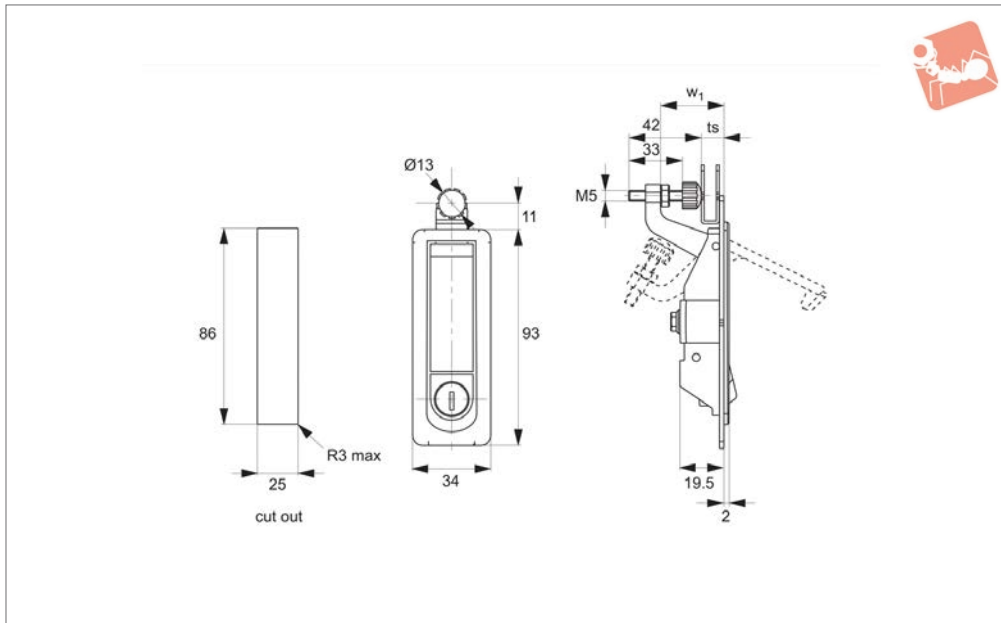
Order No.	Finish	Lock type	ts grip adj.
A1701.AW0310	Black Coated	Std. Cylinder	20-35



# Compression Locks

lever latch - adjustable grip - raised trigger - zinc

# Compression Latches



## A1707

COMPRESSION LATCHES

### Material

Body and handle and button: die cast zinc, black power coated.  
Cylinder lock: die cast zinc.

Screw: steel, white zinc plated.

**Supplied with: KEY.**

### Technical Notes

Grip length can be adjusted via screw between 1 and 20mm. Suitable for panel thickness 1-20mm.

Order No.	Finish	Lock type	ts grip adj.	w <sub>1</sub>
<b>A1707.AW0710</b>	Black Coated	Std. Cylinder with Keyed Alike	1-20	29
<b>A1707.AW0720</b>	Black Coated	Blank - No Lock	1-20	29
<b>A1707.AW0910</b>	Black Coated	Std. Cylinder with Keyed Alike	17-40	50
<b>A1707.AW0920</b>	Black Coated	Blank - No Lock	17-40	50

# Compression Latches

# Compression Locks

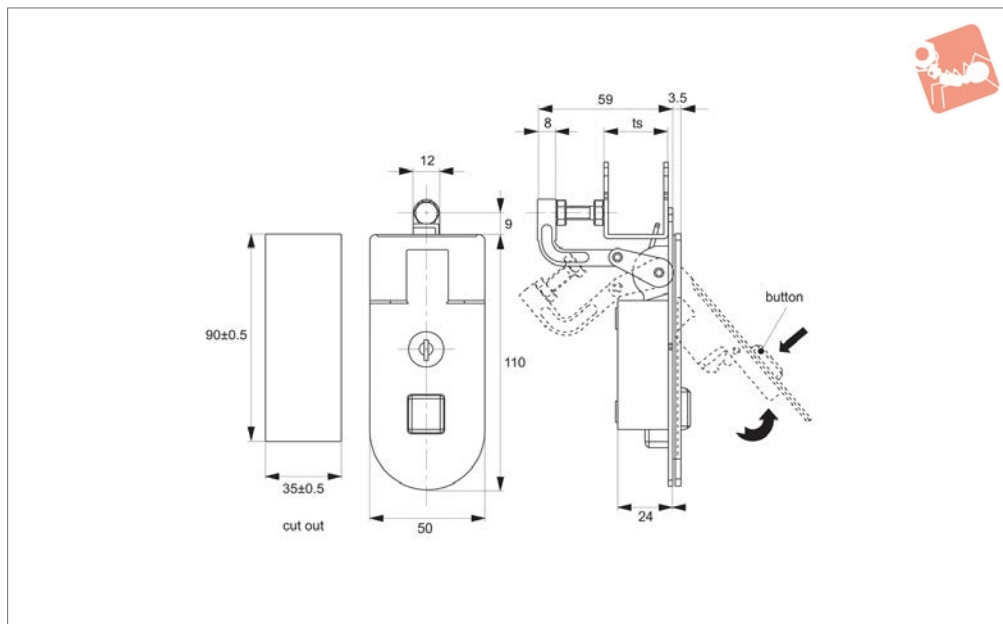
lever latch - adjustable grip - zinc



COMPRESSION LATCHES



## A1751



### Material

Body and handle: die cast zinc, black power coated.  
 Cylinder lock: die cast zinc.  
 Screw: steel, white zinc plated.

**Supplied with:** KEY.

### Technical Notes

Grip adjustment 31-48mm.

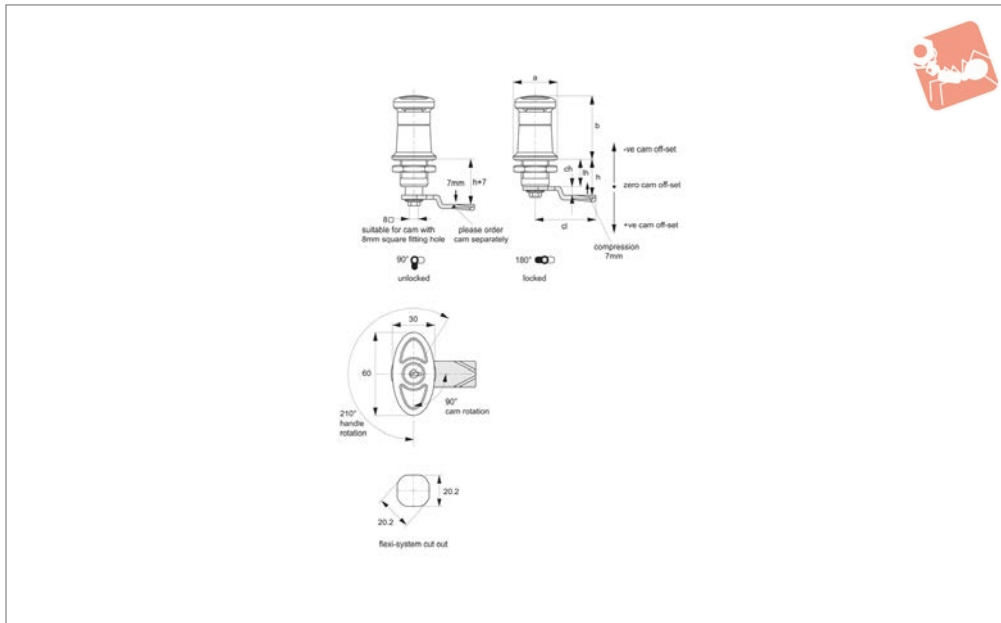
### Tips

Quick-open, easy assembling. Grip length can be adjusted via clamping screw to suit your application.

Order No.	Finish	Lock type	ts grip adj.
A1751.AW0310	Black Coated	Std. Cylinder	31-48



# Compression Lock - T-handle - Flexi- T-handle - fixed grip - zinc



## A1801

COMPRESSION LATCHES

### Material

Body & handle: die cast zinc, nanometer coated.

**Supplied with:** Key.

**Not supplied:** CAM - order separately.

### Technical Notes

Order cam and key separately.

**Cams:** see suitable cam A0203 and A0224.

Select „without projection“ cam type.

Dimensions ch and cl relate to cam. Use formula to calculate ch (required cam off-set), and refer to cam selection chart;  
**ch = h - lh** where;  
**ch** = required cam off-set/height.  
**h** = grip length (distance between inside of latch face and front of cam).  
**lh** = body length of cam latch/lock to be used (see product table below).

**Keys:** see A0102.

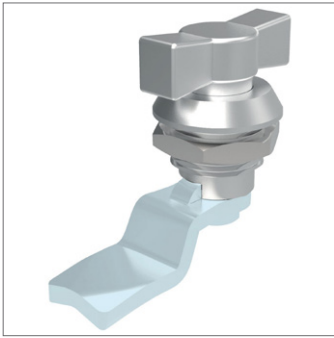
### Tips

Compression locks provide sealing of enclosures to reduce vibration and to provide noise isolation.

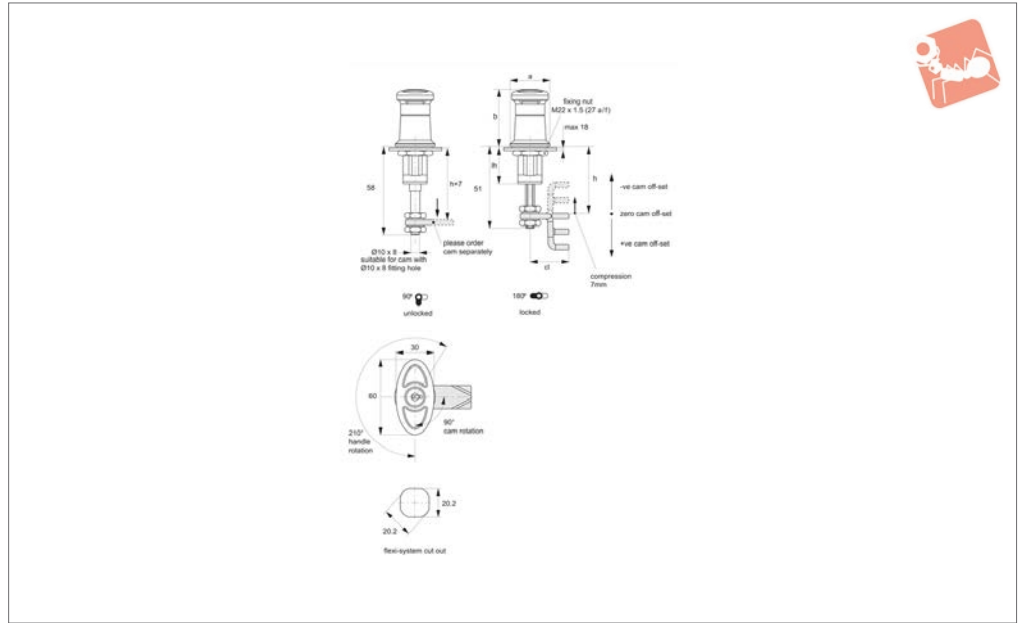
### Action:

210° handle rotation, 90° cam rotation.

Order No.	Lock type	a	b	lh
A1801.AW0032	Std. Cylinder	32	46	18
A1801.AW0132	Blank - No Lock	32	46	18



## A1810



### Material

Body & handle: die cast zinc, nanometer coated.

Shaft: steel, white zinc plated.

**Supplied with:** Key.

**Not supplied:** CAM - order separately.

### Technical Notes

Order cam and key separately.

**Cams:** see suitable cam A0231 and A0233.

Select „without projection“ cam type.

Dimensions ch and cl relate to cam. Use

formula to calculate ch (required cam off-set), and refer to cam selection chart;

**ch = h - lh** where;

**ch** = required cam off-set/height.

**h** = grip length (distance between inside of latch face and front of cam).

**lh** = body length of cam latch/lock to be used (see product table below).

**Keys:** see A0102.

### Tips

Compression locks provide sealing of

enclosures to reduce vibration and to provide noise isolation.

Adjustable grip type has an extended stem which can be cut in length to best suit your application.

### Action:

210° handle rotation, 90° cam rotation.

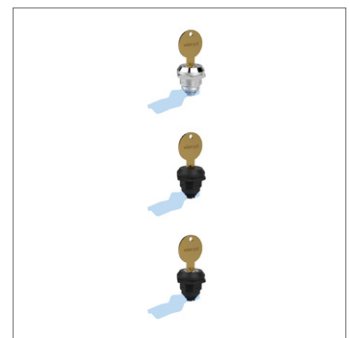
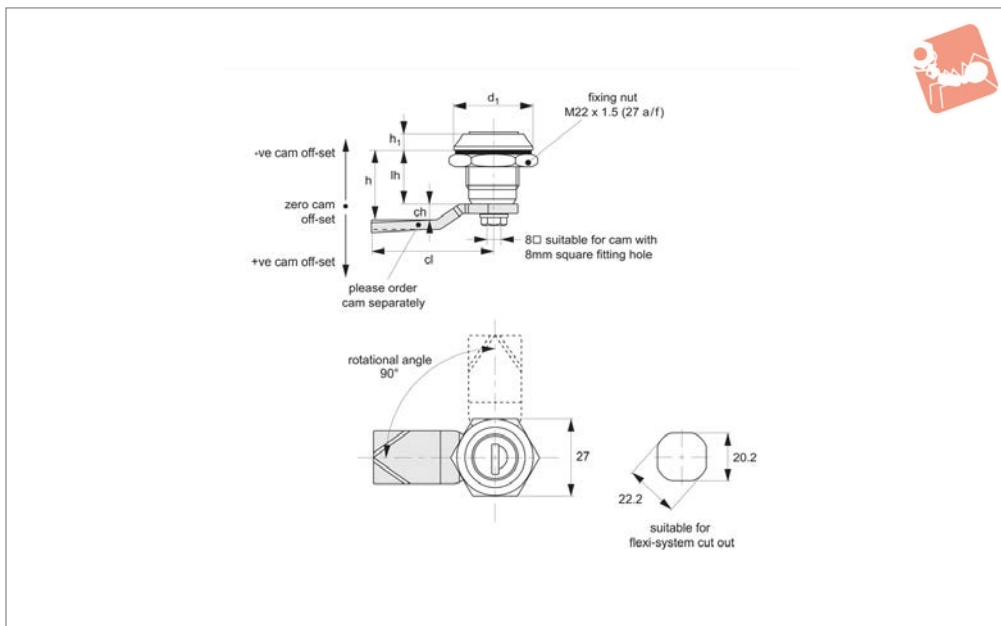
**Provides a 7mm compression stroke.**

Order No.	Lock type	a	b	lh
A1810.AW0032	Std. Cylinder	32	46	18
A1810.AW0132	Blank - No Lock	32	46	18



# Cam Locks - Flexi-System

fixed grip - zinc



## A2001

CAM LOCKS

### Material

**Type one & Two:** Body: die cast zinc, finished in chrome plate or black powder coating.  
Cylinder lock: die cast zinc, chrome plated.  
**Type Three:** Body: polyamide.  
Cylinder lock: die cast zinc, chrome plated.  
**Supplied with:** Keys: two per lock.  
**Not supplied:** CAM - order separately.

### Technical Notes

Order cam separately.

**Cams:** see suitable cam A0203, A0224 and A0240. Select „without projection“ cam type.  
Dimensions ch and cl relate to cam. Use formula to calculate ch (required cam off-set), and refer to cam selection chart;  
**ch = h - lh** where;  
**ch** = required cam off-set/height.  
**h** = grip length (distance between inside of latch face and front of cam).  
**lh** = body length of cam latch/lock to be

used (see product table below).

**Rods & Guides:** to achieve 3-point latching - A0303, A0321, A0325.

### Tips

Quarter turn opening or closing.  
Universal left and right application.

### Important Notes

Sold subject to pack quantity.

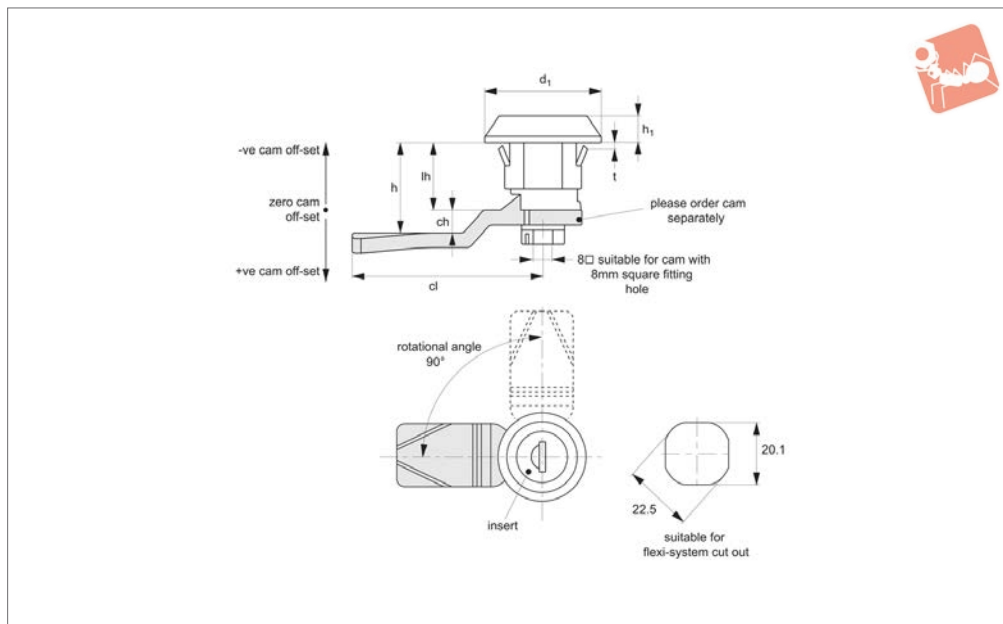
Order No.	Type	Body finish	Key type	d <sub>1</sub>	h <sub>1</sub>	lh
A2001.AW0010	One	Chrome Plated	Keyed Alike	28.0	6	20
A2001.AW0310	Two	Black Coated	Keyed Alike	28.0	6	18
A2001.AW0320	Two	Black Coated	Keyed to Differ	28.0	6	18
A2001.AW0330	Two	Black Coated	Euro	30.0	6	18
A2001.AW0510	Three	Plastic, Black	Keyed Alike	28.0	6	18
A2001.AW0520	Three	Plastic, Black	Keyed to Differ	28.0	6	18



CAM LOCKS



## A2003



### Material

Cylinder lock: die cast zinc, chrome plated.

### Technical Notes

Order cam and key separately.

Cams: see suitable cam A0203, A0224 and A0240. Select „with projection“ cam type. Dimensions  $ch$  and  $cl$  relate to cam. Use formula to calculate  $ch$  (required cam off-

set), and refer to cam selection chart;

$ch = h - l_h$  where;

$ch$  = required cam off-set/height.

$h$  = grip length (distance between inside of latch face and front of cam).

$l_h$  = body length of cam latch/lock to be used (see product table below).

Suitable for panel thickness 0,8-1,5mm

Keys: see A0102.

### Tips

Easy snap on fix mounting. Make cut out in panel as shown, and simply push in handle, snap on clips will spring back to securely mount handle.

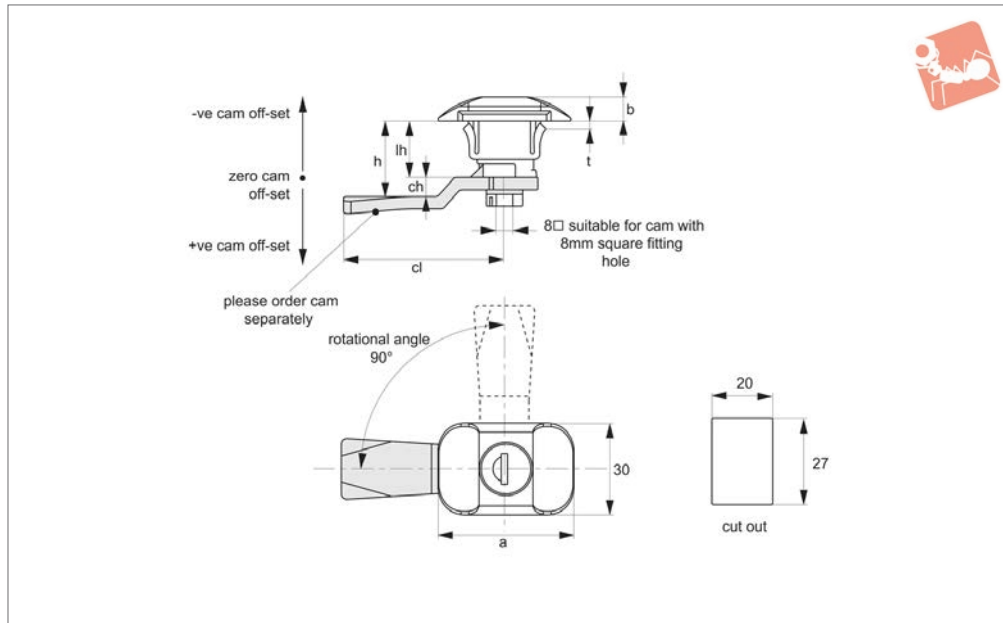
Order No.	Key	$d_1$	$h_1$	$t$	$l_h$
A2003.AW0010	Keyed Alike	30.0	7.5	0,8-1,5	18
A2003.AW0030	Euro Key	30.0	7.5	0,8-1,5	18







# Cam Locks - Snap on cylinder lock - keyed alike, euro key



**A2005**

CAM LOCKS

**Material**

Cylinder lock: die cast zinc, chrome plated.

**Technical Notes**

Order cam and key separately.  
Cams: see suitable cam A0203, A0224 and A0240. Select „with projection“ cam type. Dimensions ch and cl relate to cam. Use formula to calculate ch (required cam off-

set), and refer to cam selection chart;  
 $ch = h - lh$  where;  
 ch = required cam off-set/height.  
 h = grip length (distance between inside of latch face and front of cam).  
 lh = body length of cam latch/lock to be used (see product table below).  
 Suitable for panel thickness 0,8-2mm

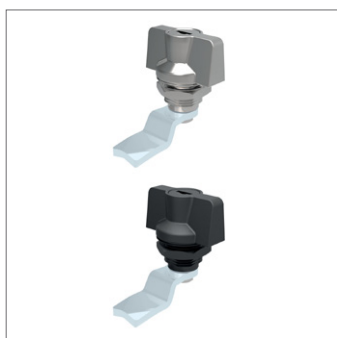
Keys: see A0102.

**Tips**

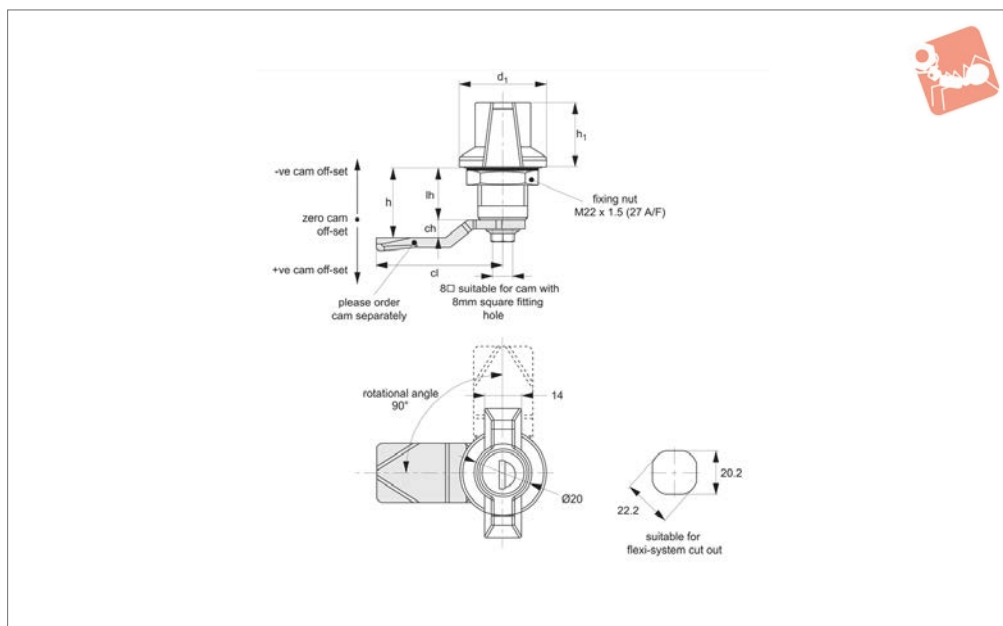
Easy snap on fix mounting. Make cut out in panel as shown, and simply push in handle, snap on clips will spring back to securely mount handle.

Order No.	Key type	a	b	t	lh
A2005.AW0010	Keyed Alike	43.0	7.5	0,8-2	17.8
A2005.AW0030	Euro Key	43.0	7.5	0,8-2	17.8





## A2203



### Material

Body & insert: die cast zinc, finished in chrome plate or black powder coating.  
 Fitted with O'ring to provide IP54 rating.  
 Cylinder lock: die cast zinc, chrome plated.  
 With dust cap to prevent material ingress.

**Supplied with:** Keys: two per lock.

**Not supplied:** CAM - order separately.

### Technical Notes

Order cam separately.

**Cams:** see suitable cam A0203, A0224 and

A0240. Select „without projection“ cam type.

Dimensions ch and cl relate to cam. Use formula to calculate ch (required cam off-set), and refer to cam selection chart;

**ch = h - lh** where;

**ch** = required cam off-set/height.

**h** = grip length (distance between inside of latch face and front of cam).

**lh** = body length of cam latch/lock to be used (see product table below).

**Rods & Guides:** to achieve 3-point latching - A0303, A0321, A0325.

### Tips

Quarter turn opening or closing.

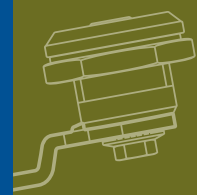
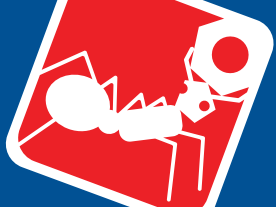
Wings act as actuation handle.

Universal left and right.

### Important Notes

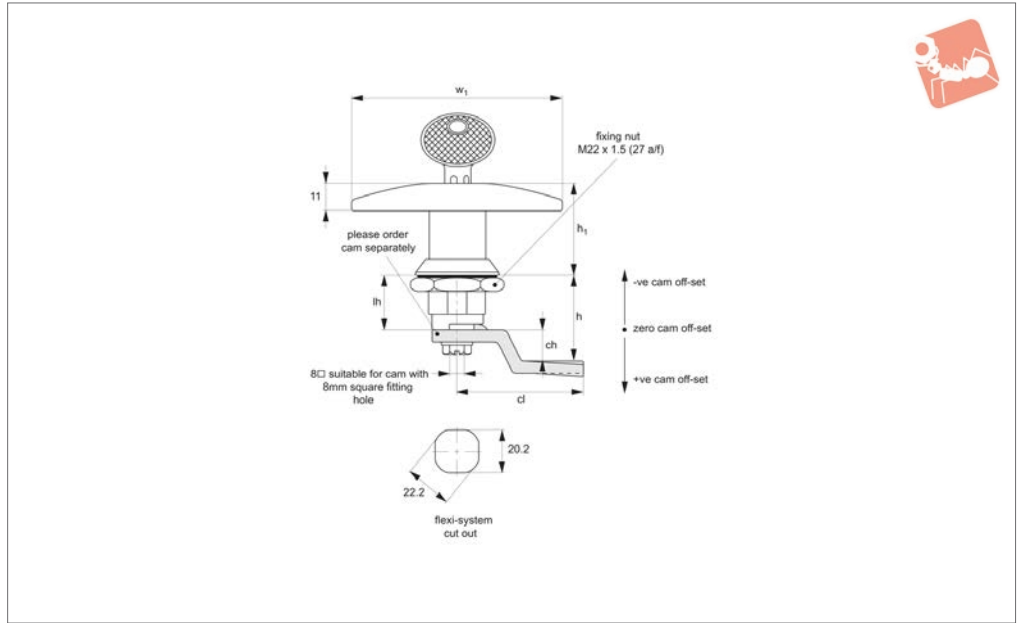
Sold subject to pack quantity.

Order No.	Body finish	Key type	d <sub>1</sub>	h <sub>1</sub>	lh
A2203.AW0010	Chrome	Keyed Alike	30.5	23.6	18
A2203.AW0020	Chrome	Keyed to Differ	30.5	23.6	18
A2203.AW0310	Black Coated	Keyed Alike	30.5	23.6	18
A2203.AW0320	Black Coated	Keyed to Differ	30.5	23.6	18





## A2503



CAM LOCKS

### Material

**Type one & two:** Body: die cast zinc. Finished in chrome plate or black powder coating.  
 Cylinder lock: die cast zinc, chrome plated. IP65/NEMA 4 rated.  
**Supplied with:** Nut: steel, zinc plated. Sealing washer: PU & Rubber. Keys: two per lock.

**Not supplied:** Cam: order separately.

### Technical Notes

Order cam separately.  
**Cams:** see suitable cam A0203, and A0240. Select „with projection“ cam type to prevent cam rotating over 45°. Dimensions ch and cl relate to cam. Use formula to calculate ch (required cam off-

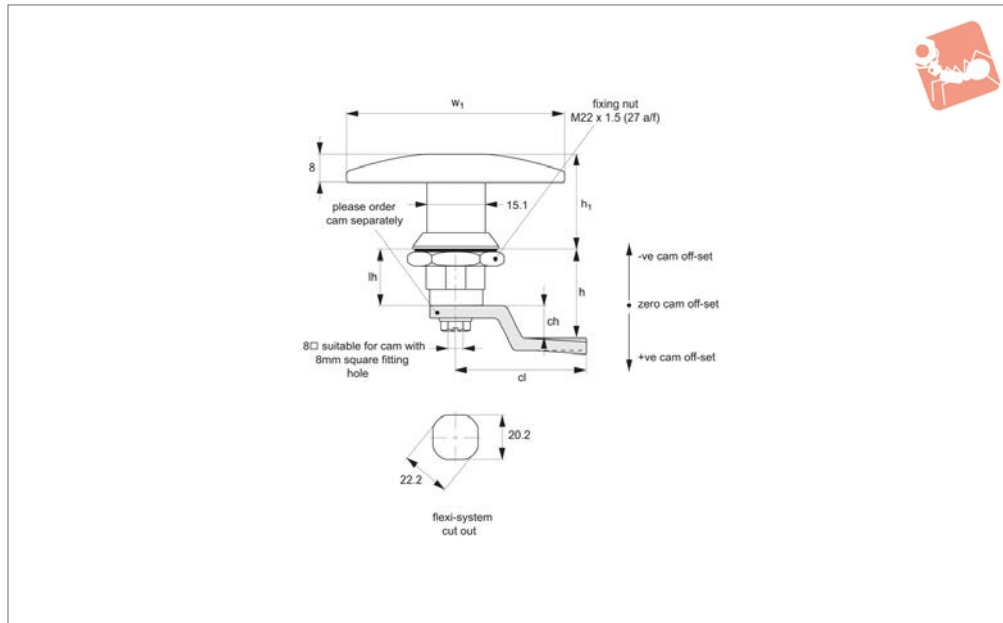
set), and refer to cam selection chart;  
**ch = h - lh** where;  
**ch** = required cam off-set/height.  
**h** = grip length (distance between inside of latch face and front of cam).  
**lh** = body length of cam latch/lock to be used (see product table below).  
**Rods & Guides:** to achieve 3-point latching - A0303, A0321, A0325.

Order No.	Body finish	Key type	w <sub>1</sub>	h <sub>1</sub>	lh
A2503.AW0110	Chrome Plated	Keyed Alike	78	37	18
A2503.AW0120	Chrome Plated	Keyed to Differ	78	37	18
A2503.AW0310	Black Coated	Keyed Alike	78	37	18
A2503.AW0320	Black Coated	Keyed to Differ	78	37	18



# Cam Lock - Long Body

T-handle - fixed grip



**A2504**

CAM LOCKS

**Material**

Body: die cast zinc, black powder coated.  
 Fitted with O'ring to achieve IP54 rating.  
**Not Supplied** Cam: steel, white zinc-plated.

**Technical Notes**

Order cam separately.

**Cams:** see suitable cam A0203, A0224 and A0240. Select „without projection“ cam type.

Dimensions ch and cl relate to cam. Use formula to calculate ch (required cam off-set), and refer to cam selection chart;

**ch = h - lh** where;

**ch** = required cam off-set/height.

**h** = grip length (distance between inside of latch face and front of cam).

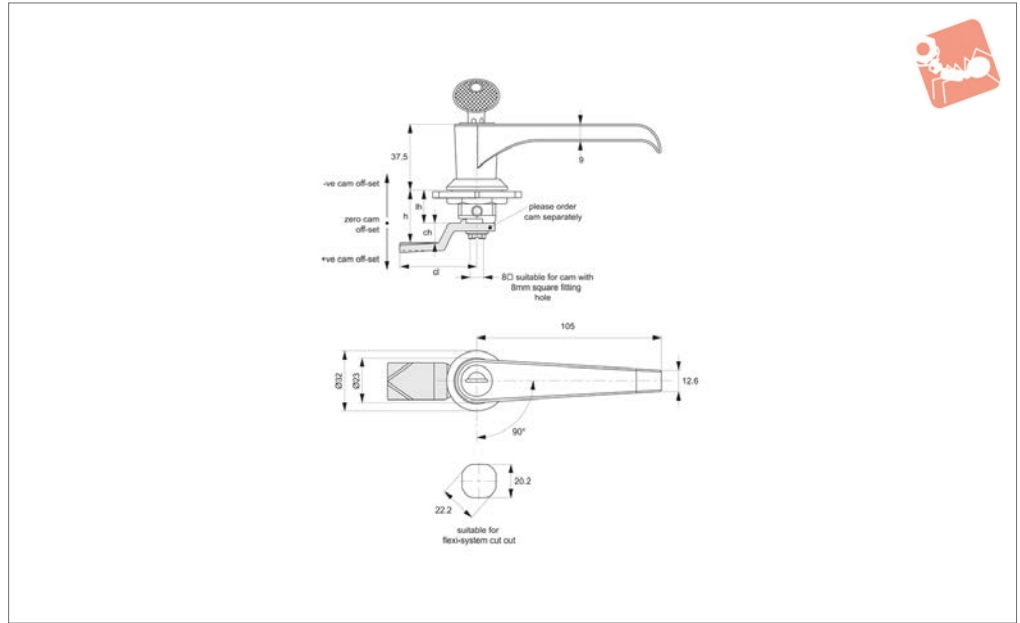
**lh** = body length of cam latch/lock to be used (see product table below).

**Rods & Guides:** to achieve 3-point latching - A0303, A0321, A0325.

Order No.	Key type	w <sub>1</sub>	h <sub>1</sub>	lh
A2504.AW0318	Blank - No Lock	60	30	18
A2504.AW0328	Blank - No Lock	60	30	28
A2504.AW0336	Blank - No Lock	60	30	36
A2504.AW0362	Blank - No Lock	60	30	62



**A2523**



**Material**

Body: die cast zinc, finished in chrome plate or black powder coating.  
Cylinder lock: die cast zinc, chrome plated.  
**Supplied With:** Nut: steel, zinc plated.  
Keys: two per lock.  
**Not Supplied:** Cam: order separately.

**Technical Notes**

Order cam separately.

**Cams:** see suitable cam A0203, and A0240. Select „with projection“ cam type to prevent cam rotating over 45°. Dimensions ch and cl relate to cam. Use formula to calculate ch (required cam off-set), and refer to cam selection chart; **ch = h - lh** where; **ch** = required cam off-set/height. **h** = grip length (distance between inside of

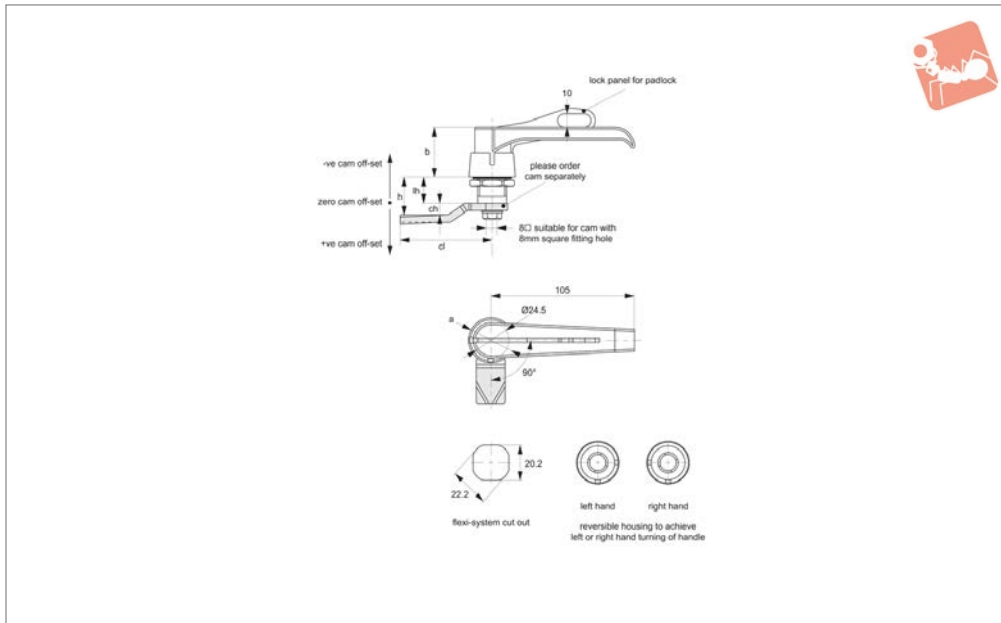
latch face and front of cam). **lh** = body length of cam latch/lock to be used (see product table below). **Rods & Guides:** to achieve 3-point latching - A0303, A0321, A0325. **Tips** Disc tumbler cylinder locks with stainless dust cap, to prevent material ingress. Universal left and right.

Order No.	Body finish	Key type	d <sub>1</sub>	lh
A2523.AW0110	Chrome Plated	Keyed Alike	32	18
A2523.AW0120	Chrome Plated	Keyed to Differ	32	18
A2523.AW0310	Black Coated	Keyed Alike	32	18
A2523.AW0320	Black Coated	Keyed to Differ	32	18
A2523.AW4110	Stainless Steel	Keyed Alike	32	18



# Cam Locks - Flexi System

L-handle - padlockable - zinc



**A2526**

CAM LOCKS

**Material**

**Type One:** Body & handle: die cast zinc, black coated. Fitted with O'ring to achieve IP54 rating.

**Type Two:** Body & handle: stainless steel.

**Not Supplied:** CAM - order separately.

**Technical Notes**

Order cam separately.

**Cams:** see suitable cam A0203, A0224 and

A0240. Select „without projection“ cam type.

Dimensions ch and cl relate to cam. Use formula to calculate ch (required cam off-set), and refer to cam selection chart;

**ch = h - lh** where;

**ch** = required cam off-set/height.

**h** = grip length (distance between inside of latch face and front of cam).

**lh** = body length of cam latch/lock to be used (see product table below).

**Rods & Guides:** to achieve 3-point latching - A0303, A0321, A0325.

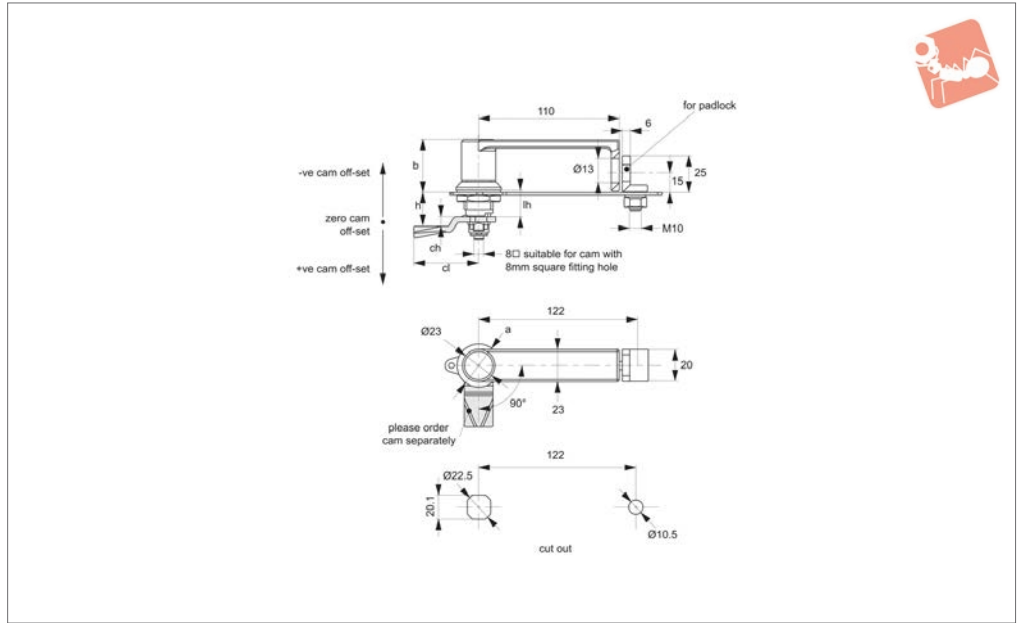
**Tips**

Quarter-turn opening or closing, padlockable. Reversible housing allows for left or right hand turning of handle.

Order No.	Body finish	Type	a	b	lh
<b>A2526.AW0010</b>	Black Coated	Padlockable	32	36	18
<b>A2526.AW0020</b>	Stainless Steel	Padlockable	32	36	18



A2528



CAM LOCKS

**Material**

Body: die cast zinc, black powder coated.  
Handle & lock panel: aluminium, black powder coated.

**Not Supplied:** Cam: order separately.

**Technical Notes**

Order cam separately.

**Cams:** see suitable cam A0203, and A0240. Select „with projection“ cam type to

prevent cam rotating over 45°.

Dimensions ch and cl relate to cam. Use formula to calculate ch (required cam off-set), and refer to cam selection chart;

**ch = h - lh** where;

**ch** = required cam off-set/height.

**h** = grip length (distance between inside of latch face and front of cam).

**lh** = body length of cam latch/lock to be

used (see product table below).

**Rods & Guides:** to achieve 3-point latching - A0303, A0321, A0325.

**Tips**

Suitable for padlocks with max. 13mm dia. shackle.

L- handle padlockable to fixed plate on enclosure for extra security.

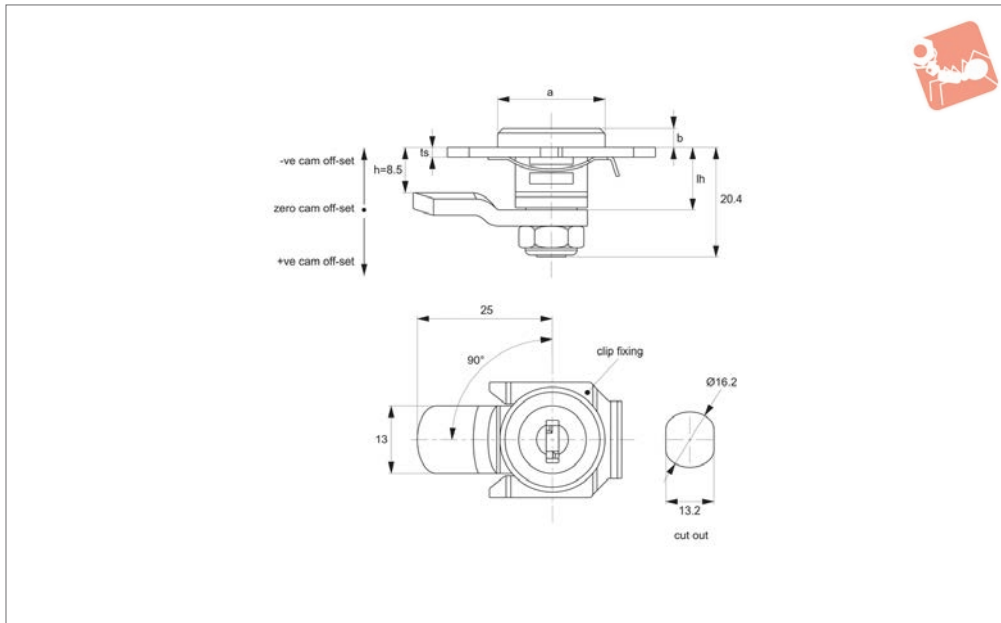
Order No.	Body finish	Type	a	b	lh
A2528.AW0018	Black Coated	Padlockable	32	35	18





# Cam Lock - Clip Fixing

fixed grip - zinc



**A2324**

CAM LOCKS

**Material**

Body & insert: die cast zinc, pocked black powder coated.

**Supplied with:** Keys: two per lock.

Cam: zinc plated steel.

**Technical Notes**

For panel thickness 1.5-5mm. Dimensions

ch & cl relate to cam. Use formula to calculate ch (required cam off-set), and refer to cam selection chart;

**ch = h - lh** where;

**ch** = required cam off-set/ height.

**h** = grip length (distance between inside of latch face and front of cam).

**lh** = body length of cam latch/lock to be used (see product table below).

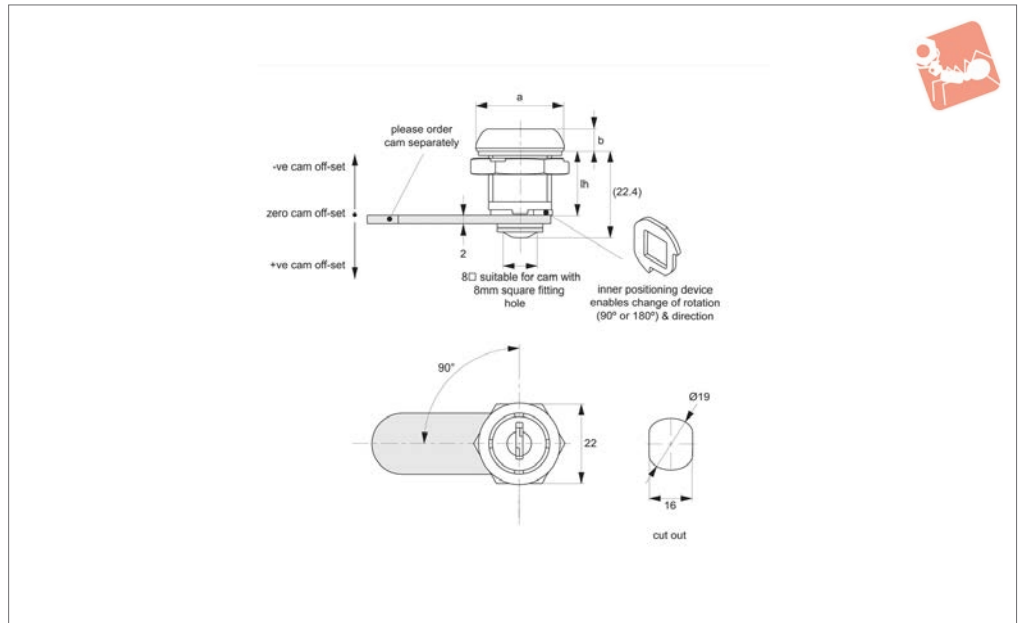
Order No.	Key type	a	b	lh	ts
A2324.AW0010	Keyed Alike	19.5	3.5	11.5	1,5-5



CAM LOCKS



A2326



**Material**

Body & inset: plastic.  
Cap: stainless steel, mirror polished.  
Nut: die cast zinc, white zinc plated. Screw: steel, white zinc plated.

**Supplied with:**

Keys: two per lock.

**Technical Notes**

Order cam separately.  
Suitable for use with cam A2326.AW0999

**Tips**

Lock has inner positioning device which can be manipulated to give either 90° or 180° lock rotation, and to can change direction of rotation.

Order No.	Key type	Rotation	a	b	lh
A2326.AW0010	Keyed Alike	90	22.8	5.8	16.5
A2326.AW0020	Keyed Alike	180	22.8	5.8	16.5
A2326.AW0999	Cam	-	-	-	-

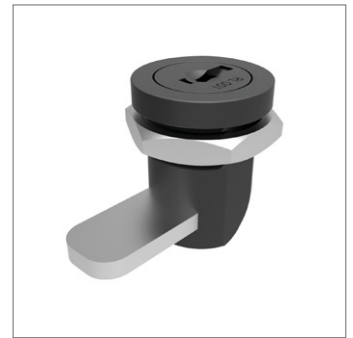
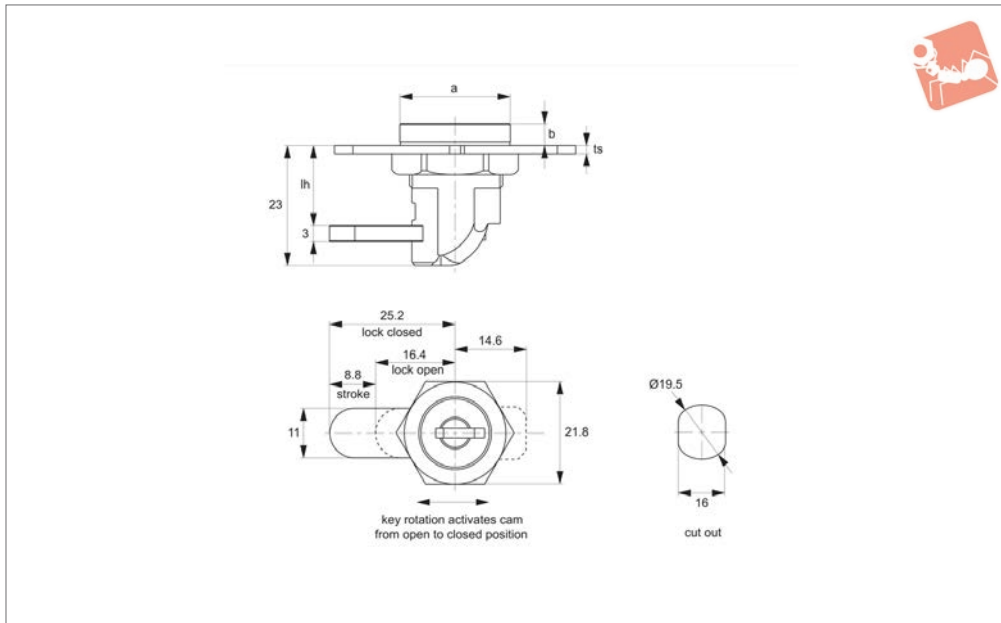


# Mini Cam Lock

fixed grip - zinc - extending cam



## Cam Locks



### A2328

CAM LOCKS

#### Material

Body & insert: zinc die cast, black painted.

**Supplied with:** Cam: steel, white zinc plated.

Keys: two supplied per lock.

#### Tips

Actuation of lock by turning key 180°. The

cam extends to lock and retracts to open. Cam has effective stroke of 8,8mm.

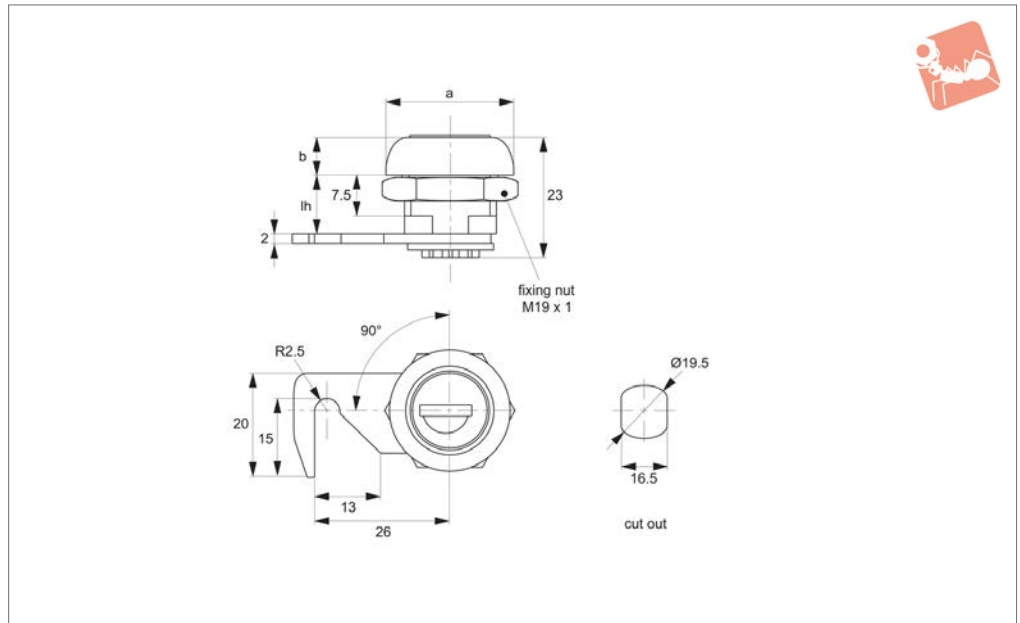
Order No.	Key type	a	b	lh
A2328.AW0010	Keyed Alike	21.6	4	15



CAM LOCKS



A2330



**Material**

Body: zinc die cast, bright chrome plated.

**Supplied with:** Cam: steel, white zinc

plated. Keys: supplied two per lock.

to fixed point on frame.

**Technical Notes**

Hooked cam allows locking by rotation on

Order No.	Key type	a	b	lh
A2330.AW0010	Keyed Alike	24.0	7.2	11
A2330.AW0020	Keyed to Differ	24.0	7.2	11

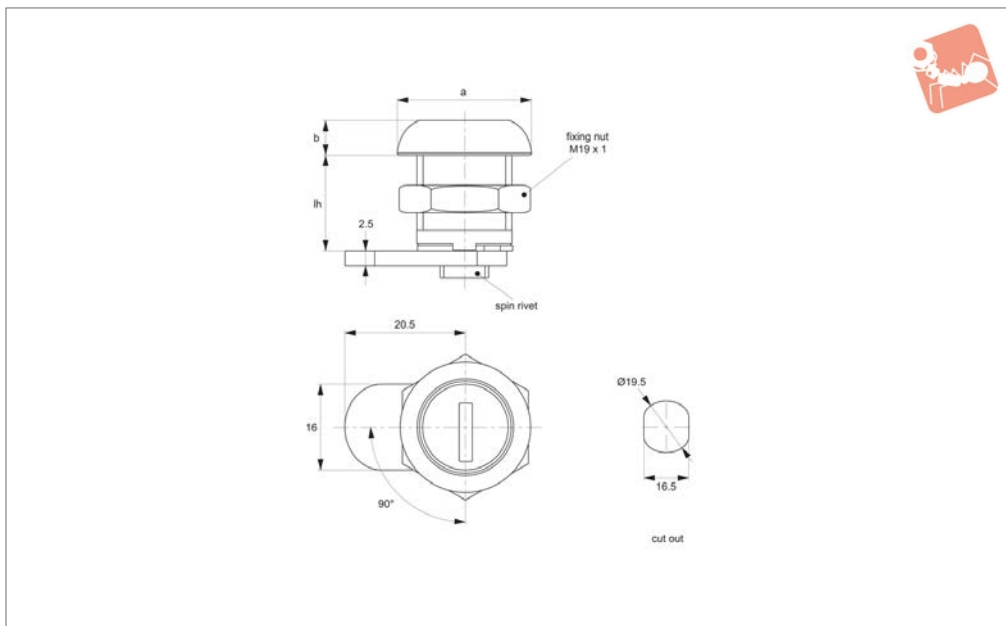


# Mini Cam Locks

fixed grip - zinc



## Cam Locks



### A2331

CAM LOCKS

#### Material

Body: zinc die cast, white zinc plated.

**Supplied with:** Cam: steel.

Keys: two per lock.

#### Tips

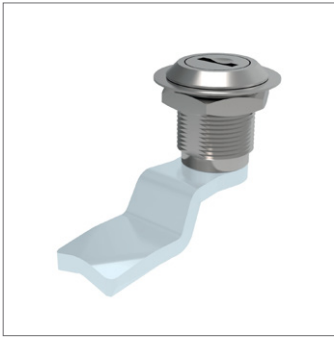
Quarter turn opening or closing. Ideal for

use in metal cabinets, drawers and machinery covers etc.

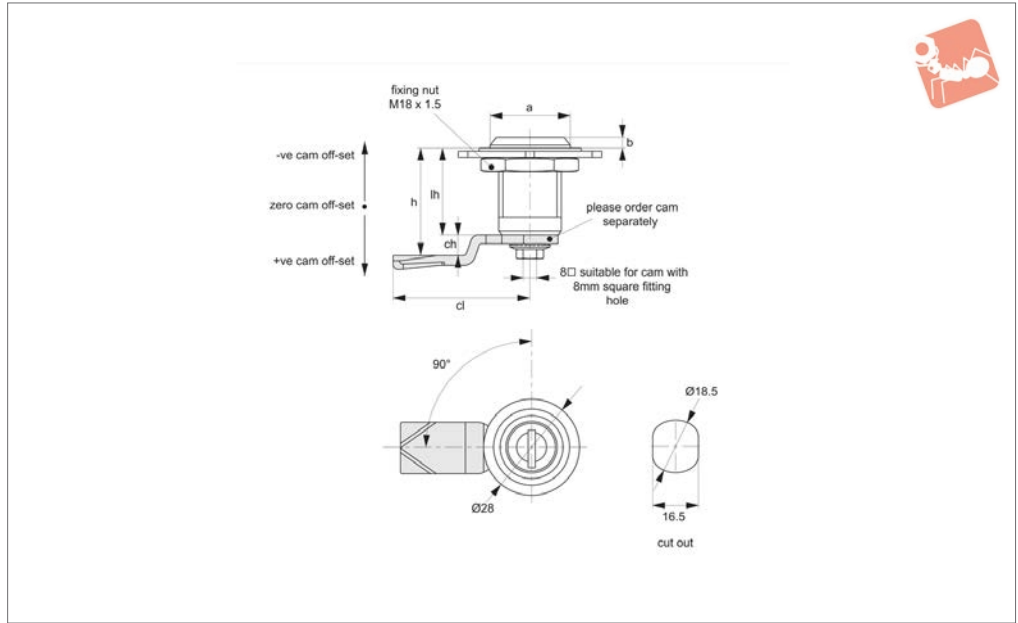
Due to compact size of cam and lock body there is no need to remove cam during installation.

Keyed to differ model has a max. 100 key combinations.

Order No.	Key type	a	b	lh
<b>A2331.AW0010</b>	Keyed Alike	23.0	6	16
<b>A2331.AW0020</b>	Keyed to Differ	23.0	6	16



### A2333



CAM LOCKS

#### Material

Body & insert: zinc die cast, bright chrome plated.

**Supplied with:** Cam: steel, white zinc plated.

Keys: two per lock.

#### Technical Notes

Order cam separately.

**Cams:** see suitable cam A0203, A0224 and A0240. Select „without projection“ cam

type.

Dimensions  $ch$  and  $cl$  relate to cam. Use formula to calculate  $ch$  (required cam off-set), and refer to cam selection chart;

$ch = h - lh$  where;

$ch$  = required cam off-set/height.

$h$  = grip length (distance between inside of latch face and front of cam).

$lh$  = body length of cam latch/lock to be used (see product table below).

**Rods & Guides:** to achieve 3-point latching - A0303, A0321, A0325.

#### Tips

Quarter turn opening or closing. Ideal for use in metal cabinets, drawers and machinery covers etc.

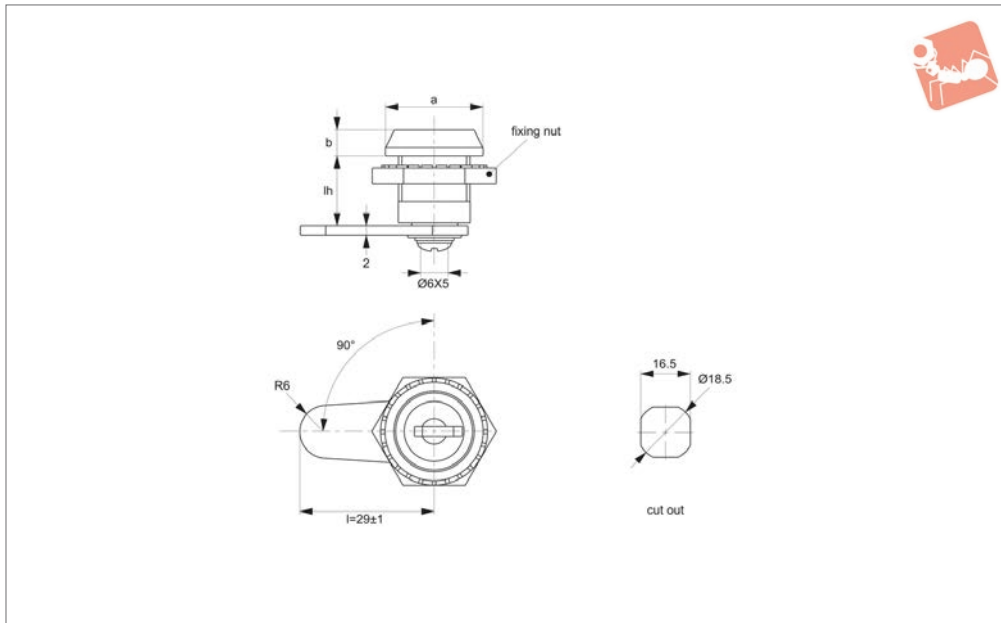
Due to compact size of cam and lock body there is no need to remove cam during installation.

Order No.	Key type	a	b	lh
A2333.AW0010	Keyed Alike	22.5	3	16
A2333.AW0110	Keyed Alike	22.5	3	20
A2333.AW0210	Keyed Alike	22.5	3	30
A2333.AW0120	Keyed to Differ	22.5	3	20
A2333.AW0020	Keyed to Differ	22.5	3	16
A2333.AW0220	Keyed to Differ	22.5	3	30



# Mini Cam Lock

fixed grip - zinc



## A2340

CAM LOCKS

### Material

Body & insert: zinc die cast, bright chrome plated.

**Supplied with:** Cam: steel, white zinc plated. Keys: two per lock.

### Tips

Quarter turn opening or closing. Ideal for use in metal cabinets, drawers and machinery covers etc.

Due to compact size of cam and lock body

there is no need to remove cam during installation.

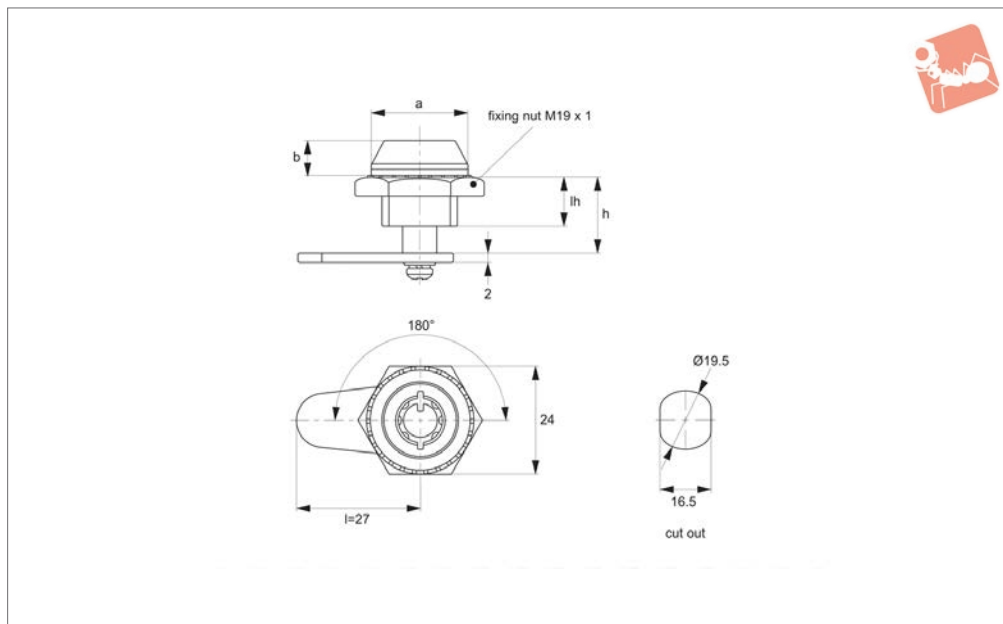
Order No.	Key type	a	b	lh
A2340.AW0010	Keyed Alike	22.0	6	15



CAM LOCKS



A2342



**Material**

Body & insert: zinc die cast, bright chrome plated.

**Supplied with:** Cam: steel, white zinc

plated. Keys: two per lock.

key offers extra security.

**Tips**

180° rotation opening and closing. Radial

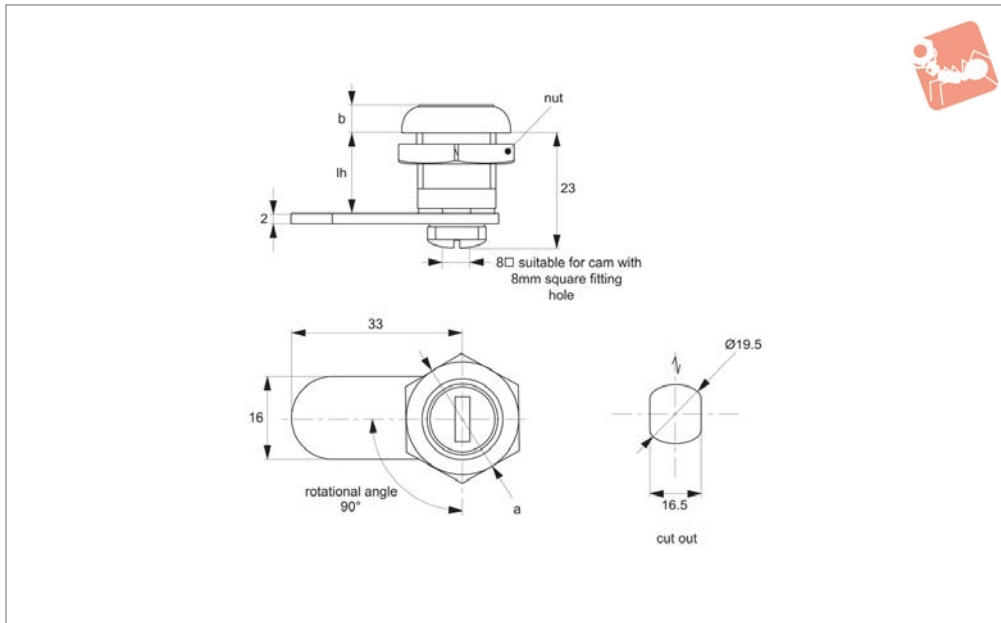
Order No.	Key type	a	b	h	lh
A2342.AW0022	Radial Key	22.0	7.5	19	13





# Mini Cam Lock

cam lock - fixed grip



## A2383

CAM LOCKS

### Material

Body & insert: die cast zinc, bright chrome plated.

Fixed grip: zinc.

**Supplied with:** Nuts, Cam and Keys: two per lock.

### Tips

Ideal for use in metal cabinets, drawers

and machinery covers etc.

Due to compact size of cam and lock body there is no need to remove cam during installation.

Keyed to differ model has a max. 100 key combinations.

Type Three -  $90^\circ$  key rotation, key non-removable when in unlocked position.

Quarter-turn opening. Locks have dust cover.

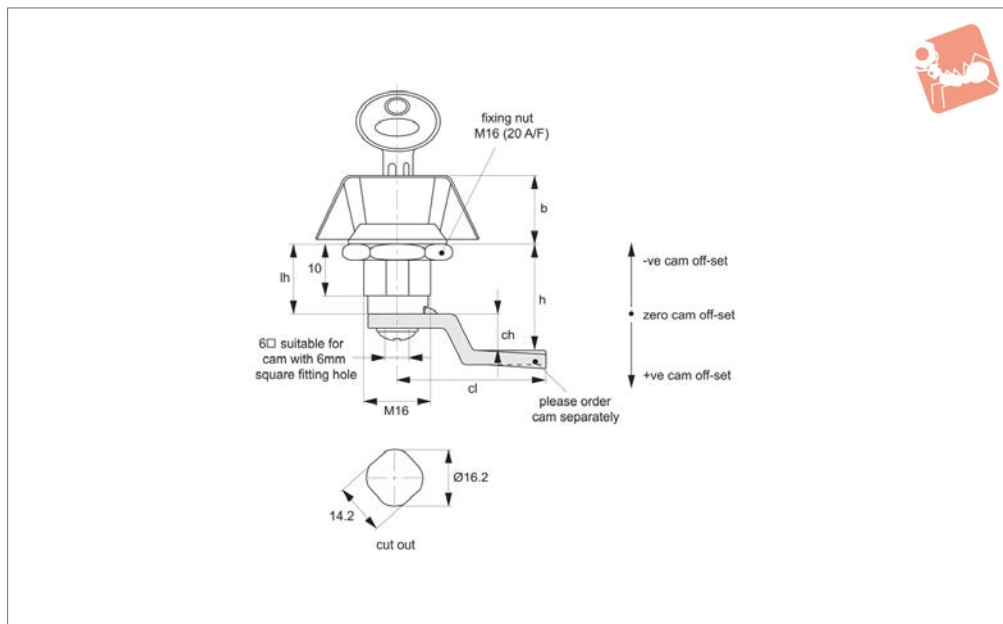
Order No.	a	b	lh
A2383.AW0010	22.0	5.5	15.5



CAM LOCKS



### A2390



#### Material

Black painted ZDC housing and handle, white zinc plated cam.

**Supplied with:** Keys: two per lock. Nut - steel, zinc plated.

**Not supplied:** CAM - order separately.

#### Technical Notes

Order cam separately.

**Cams:** see suitable cam A0261. Select „with projection“ cam type to prevent cam rotating over  $45^\circ$ .

Dimensions  $ch$  and  $cl$  relate to cam. Use formula to calculate  $ch$  (required cam off-set), and refer to cam selection chart;

**ch = h - lh** where;

**ch** = required cam off-set/height.

**h** = grip length (distance between inside of latch face and front of cam).

**lh** = body length of cam latch/lock to be used (see product table below).

#### Important Notes

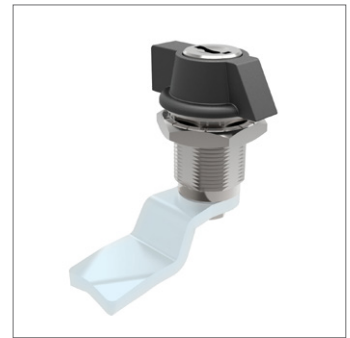
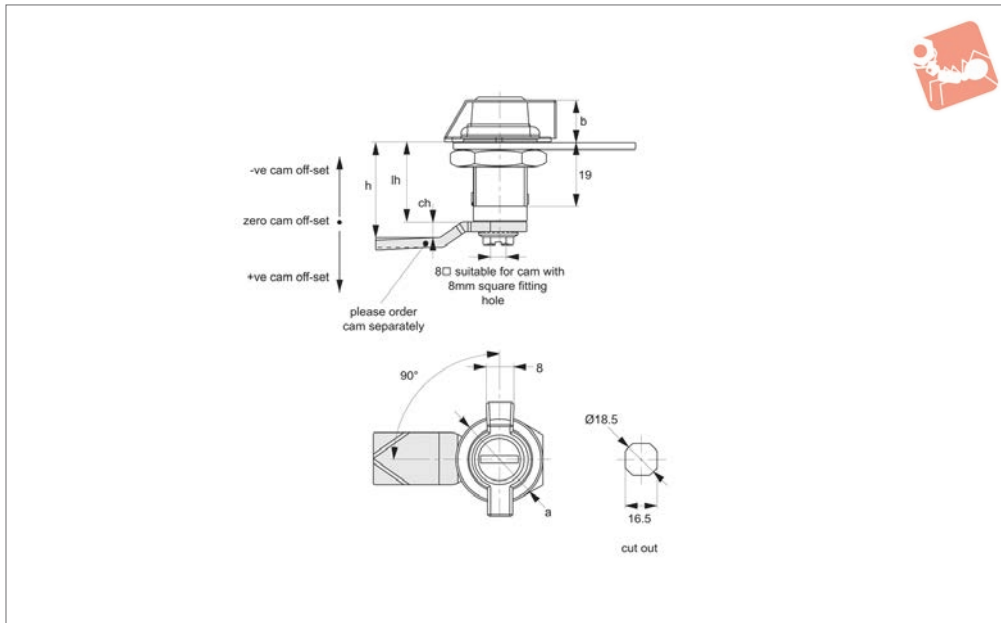
Sold subject to pack quantity.

Order No.	Key type	Type	Body finish	b	lh
A2390.AW0010	Keyed Alike	Type One	Chrome Plated	14.5	13.0
A2390.AW0020	Keyed Alike	Type Two	Black Coated	14.5	13.0



# Mini Cam Locks

wing handle - fixed grip - zinc



**A2392**

CAM LOCKS

**Material**

Body & handle: die cast zinc, black coated.

**Supplied With:** Keys: two per lock.

**Not supplied:** Cam: order separately.

**Technical Notes**

Order cam separately.

**Cams:** see suitable cam A0203, A0224 and

A0240. Select „without projection“ cam type.

Dimensions ch and cl relate to cam. Use formula to calculate ch (required cam off-set), and refer to cam selection chart;

**ch = h - lh** where;

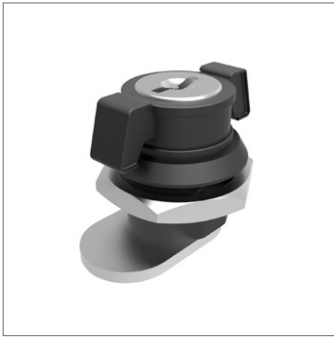
**ch** = required cam off-set/height.

**h** = grip length (distance between inside of latch face and front of cam).

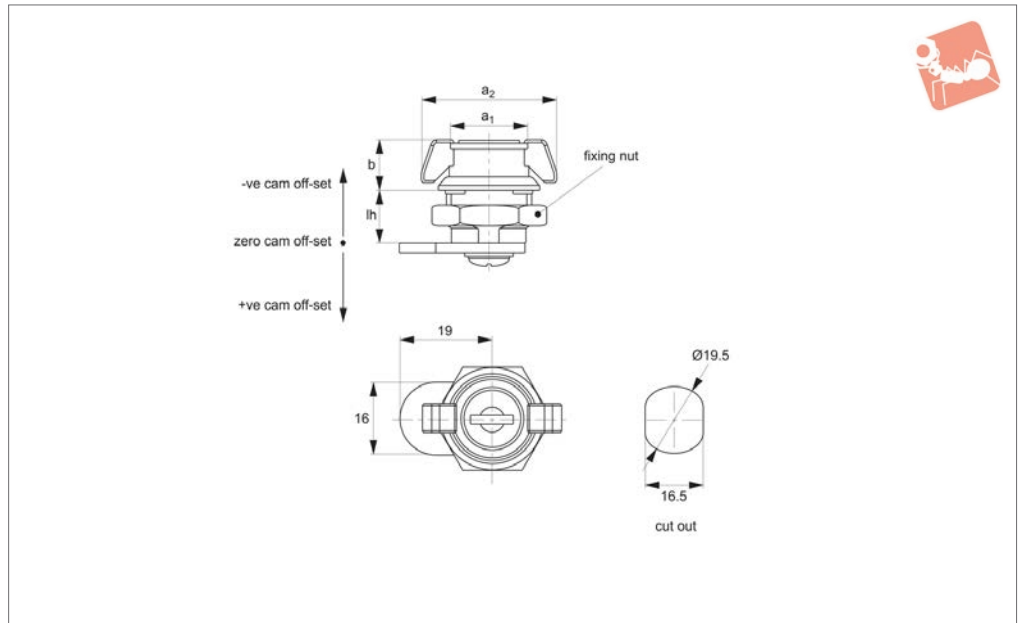
**lh** = body length of cam latch/lock to be used (see product table below).

**Rods & Guides:** to achieve 3-point latching - A0303, A0321, A0325.

Order No.	Key type	a	Body finish	b	lh
A2392.AW0010	Keyed Alike	25.0	Chrome Plated	13	24
A2392.AW0020	Keyed Alike	25.0	Black Coated	13	24



**A2393**



**Material**

Housing and insert: die cast zinc.  
Cam: steel.

**Supplied With:** cam and keys.

**Tips**

Quarter-turn opening or closing. Wing knob acts as grip/handle.

**Important Notes**

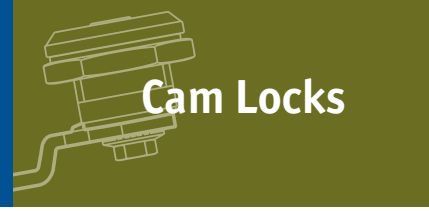
Sold subject to pack qty.

Order No.	Body finish	a <sub>1</sub>	a <sub>2</sub>	b	lh
A2393.AW0010	Chrome Plated	17	29.5	11	11
A2393.AW0020	Black Coated	17	29.5	11	11

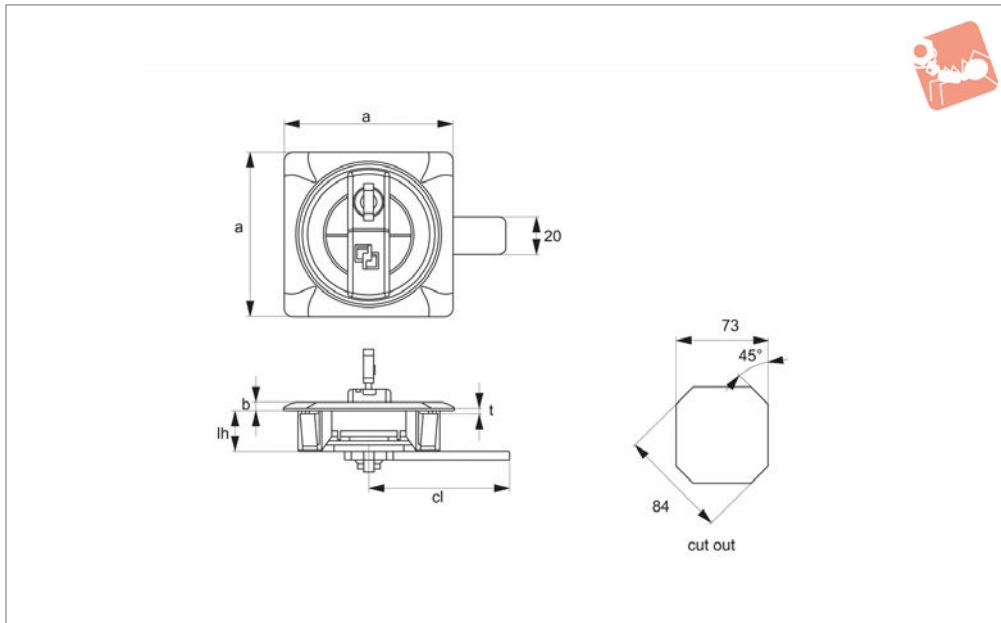


# Cabinet Lock - Snap in

Recessed handle, cylinder lock, polyamide



## Cam Locks



**B4510**

CAM LOCKS

**Material**

Body: Black plastic (PA6).  
Handle: Zinc.

**Supplied:** Cam and key.

**Technical Notes**

For plain/flush mounted doors, as well as

electrical panels and covers.

securely mount handle.

**Tips**

Easy snap on fix mounting. Make cut out in panel as shown, and simply push in handle, snap on clips will spring back to

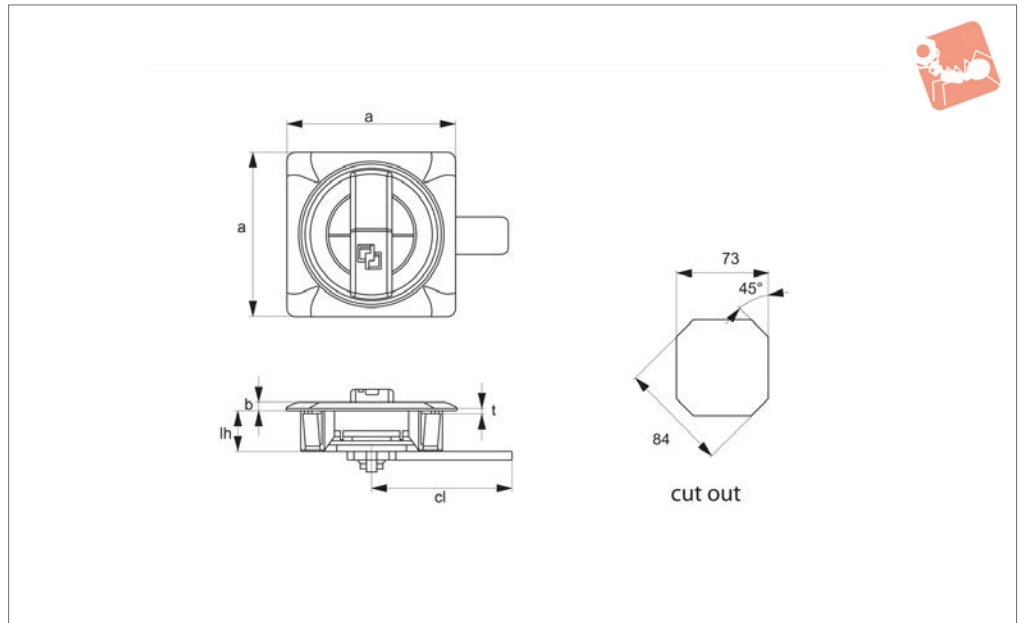
Order No.	Key type	a	b	t	cl	lh
B4510.AW0020	Keyed Alike	84	3.3	0,8-2	72	21



CAM LOCKS



**B4520**



**Material**

Body: Black plastic (PA6).  
Handle: Zinc, black coated.  
**Supplied:** Cam.

**Technical Notes**

For plain/flush mounted doors, as well as

electrical panels and covers.

securely mount handle.

**Tips**

Easy snap on fix mounting. Make cut out in panel as shown, and simply push in handle, snap on clips will spring back to

Order No.	Lock type	a	b	t	cl	lh
<b>B4520.AW0120</b>	No lock	85	3.3	0,8-2	72	21



## Models available



Cam Latch - Flush T-Handle with rod control for multi-point latching



Cam Latch - Flush T-Handle for single point latching



Cam Latch - Flush T-Handle with adjustable grip



Cam Latch - Concealed T-Handle for electricity panels

### Variety of materials

- Steel.
- Stainless steel.
- Aluminium.
- Polyamide.

### Actuation/locking method

- Blank, without lock.
- Standard cylinder Lock.
- Padlockable T-Handle actuation.

### Features

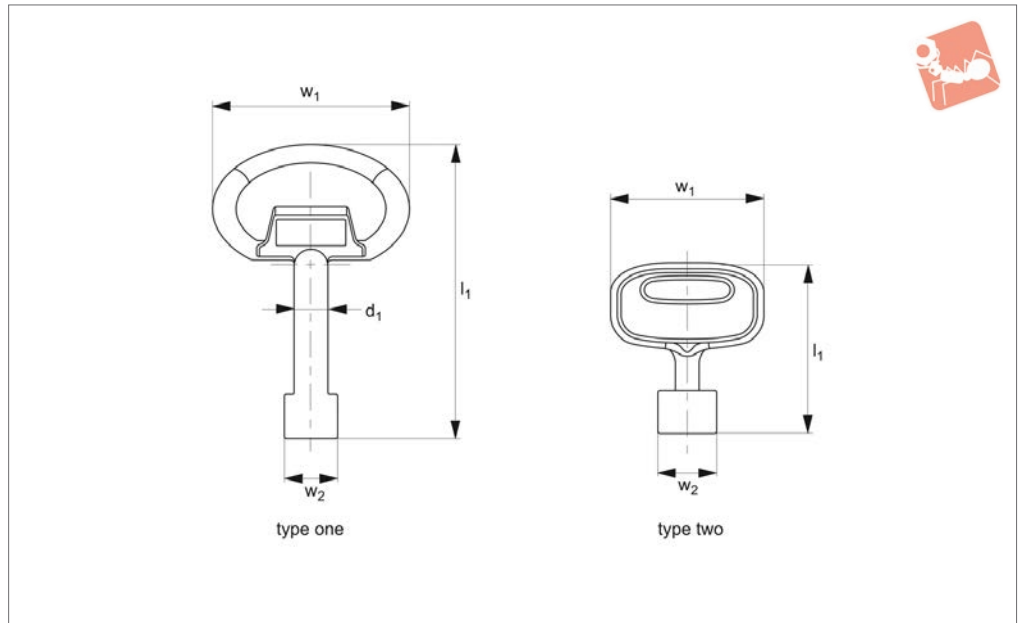
- Heating & ventilation.
- Generators.
- Compressors.
- Machine covers.

- Electric panels.
- Off-road equipment.
- Industrial transport.
- Special equipment cases.

### Applications



## A0102



### Material

Die cast zinc.

### Technical Notes

Keys for our range of cam latches. For slot

type cam latches no special key required - simply use flat head screwdriver.

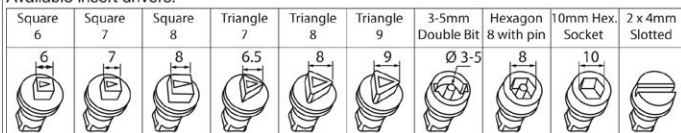
Note: For part A1661.AW0006 (Square 6) use key A0102.AW0206 only.

### Important Notes

Sold subject to pack quantity.

Order No.	Insert driver	Type	d <sub>1</sub>	l <sub>1</sub>	w <sub>1</sub>	w <sub>2</sub>
A0102.AW0006	Square 6	Type One	9	74.5	49	13.8
A0102.AW0010	Square 7	Type One	9	74.5	49	13.8
A0102.AW0020	Square 8	Type One	9	74.5	49	13.8
A0102.AW0040	Triangle 7	Type One	9	74.5	49	13.8
A0102.AW0050	Triangle 8	Type One	9	74.5	49	13.8
A0102.AW0055	Triangle 9	Type One	9	74.5	49	13.8
A0102.AW0060	3mm Double Bit	Type One	9	70.0	49	13.2
A0102.AW0070	4mm Double Bit	Type One	9	74.5	49	13.8
A0102.AW0090	8mm Hex Pin	Type One	9	74.5	49	13.8
A0102.AW0100	10mm Hex Socket	Type One	9	74.5	49	13.8
A0102.AW0206	Square 6	Type two	9	32.0	30	11.0

### Available insert drivers:



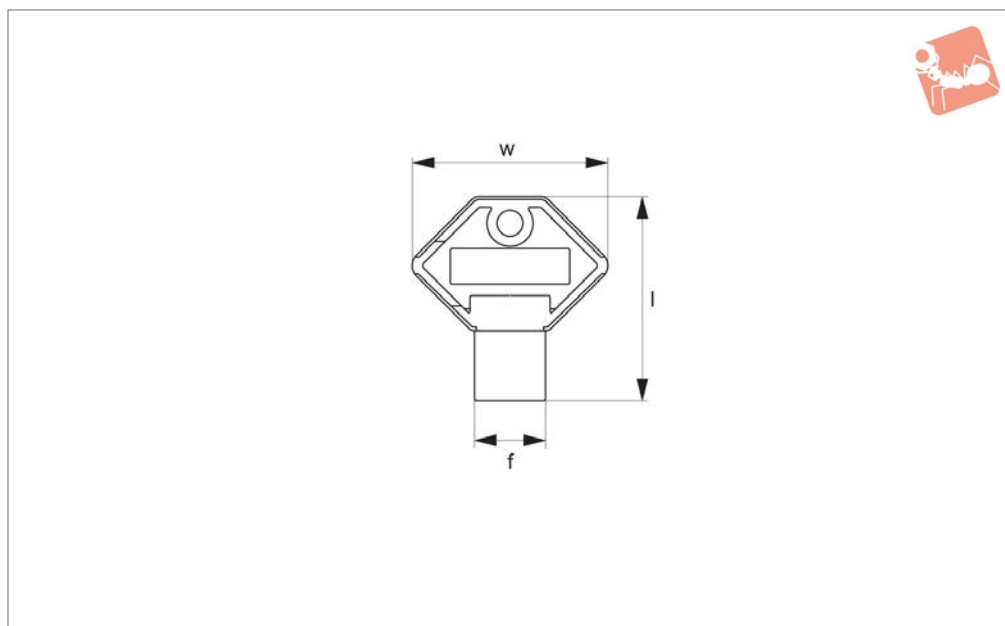




# Keys - Flexi-System for cam latches and locks - plastic



## Cam Latch Accessories



**A0103**

CAM LATCH ACCESSORIES

### Material

Body: plastic.

type cam latches no special key required - simply use flat head screwdriver.

### Technical Notes

Keys for our range of cam latches. For slot

### Important Notes

Sold subject to pack quantity.

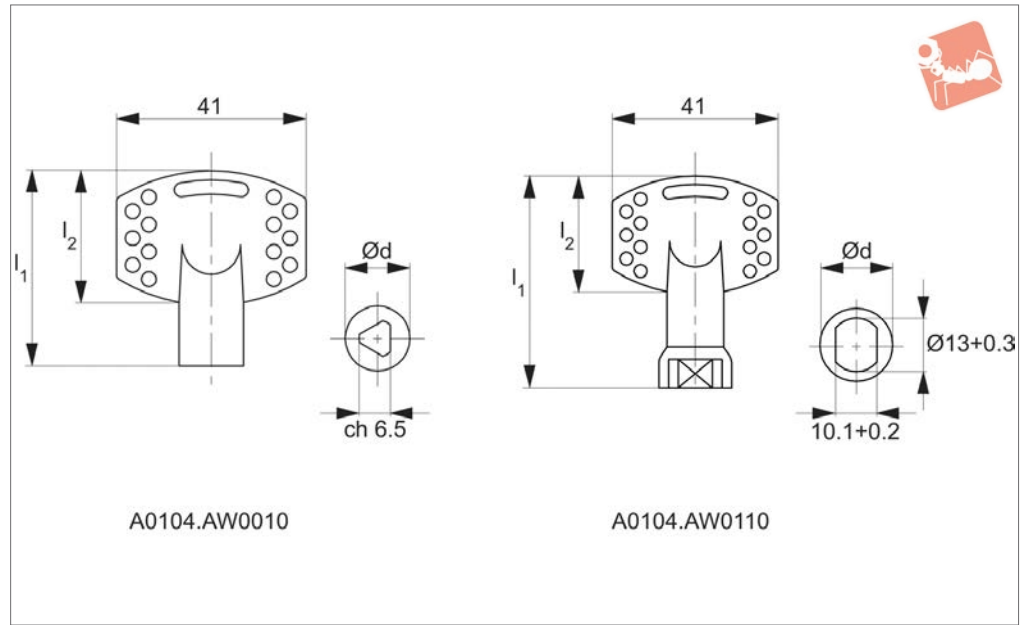
Order No.	Insert driver	f	l	w
A0103.AW0040	7mm Triangle	40	41.5	40
A0103.AW0055	9mm Triangle	40	41.5	40
A0103.AW0050	8mm Triangle	40	41.5	40
A0103.AW0006	6mm Square	40	41.5	40
A0103.AW0010	7mm Square	40	41.5	40
A0103.AW0020	8mm Square	40	41.5	40



CAM LATCH ACCESSORIES



**A0104**



**Material**

A0104.AW0010: Plastic  
A0104.AW0110: Plastic handle, steel insert

**Technical Notes**

Keys for Hygienic line Cam Locks A1104.  
Order cam and key separately.

Holes provide opportunity for lanyard to guard against theft.

**Tips**

Made to the high "3A" standard.  
This ensures it meets the high standards required for use in food, beverage, phar-

maceutical and medical applications.  
Hygienically designed for effective and easy cleaning, corrosion resistant, non-toxic.  
Design precludes contamination by dirt, food particles and organic matter.

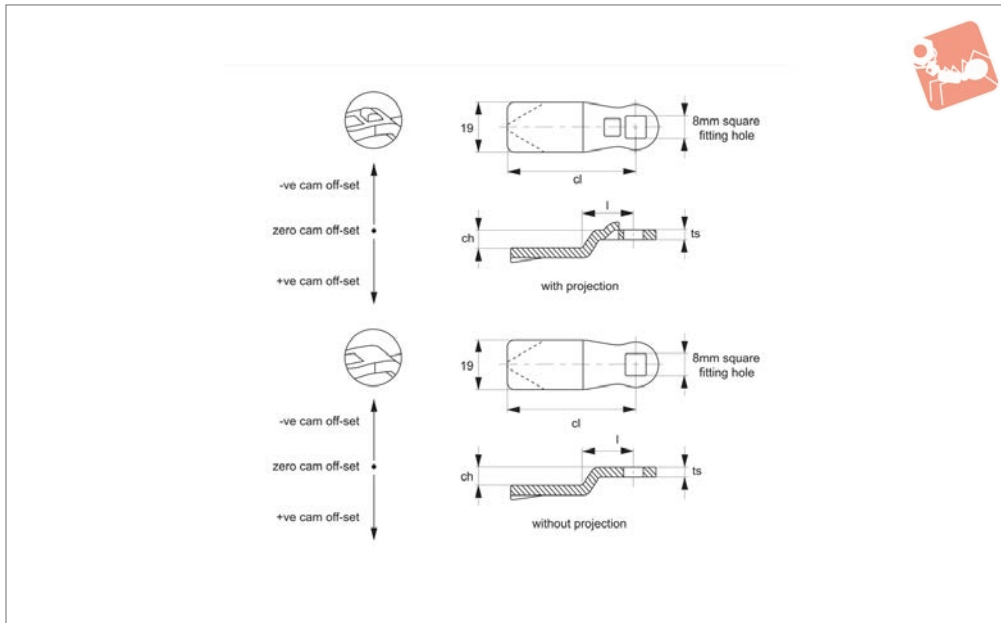
Order No.	Insert driver	d	l <sub>1</sub>	l <sub>2</sub>	w
A0104.AW0010	Triangle 7	14	42	28	41
A0104.AW0110	Stadium	18	52	28	41



# Single Point Cams - Flexi-System

for cam latches and locks - steel - 8 x 8 Sq.

## Cam Latch Accessories



**A0203**

CAM LATCH ACCESSORIES

### Material

Steel, zinc plated.

### Technical Notes

Use formula to calculate  $ch$  (required cam off-set), and select from product table below;

$ch = h - lh$  where;

$ch$  = required cam off-set/height.

$h$  = grip length (distance between inside of latch face and front of cam).

$lh$  = body length of cam latch/lock to be used (see individual latch/lock product table).

Refer to installation drawing below.

### Important Notes

Suitable for Flexi-System latches. „With projection“ type ensures correct location and prevents cam rotating over 45°. See **cam selection chart for specific latch/lock suitability.**

Sold subject to pack quantity.

Order No.	Type	ch	cl	ts	Where lh = 18	Where lh = 18,5	Where lh = 20	Where lh = 24	Where lh = 30	Where lh = 40	Where lh = 50	Where lh = 60
A0203.AW0300	With Projection	0	35	3	18,5	20,0	24,0	30	40	50	60	52
A0203.AW0302	With Projection	2	35	3	20,5	22,0	26,0	32	42	52	62	52
A0203.AW0304	With Projection	4	35	3	22,5	24,0	28,0	34	44	54	64	52
A0203.AW0308	With Projection	8	35	3	26,5	28,0	32,0	38	48	58	68	52
A0203.AW0310	With Projection	10	35	3	28,5	30,0	34,0	40	50	60	70	52
A0203.AW0400	With Projection	0	45	3	18,0	18,5	20,0	24	30	40	50	60
A0203.AW0402	With Projection	2	45	3	20,5	22,0	26,0	32	42	52	62	52
A0203.AW0403	With Projection	3	45	3	21,0	21,5	23,0	27	33	43	53	63
A0203.AW0404	With Projection	4	45	3	22,0	22,5	24,0	28	34	44	54	64
A0203.AW0406	With Projection	6	45	3	24,0	24,5	26,0	30	36	46	56	66
A0203.AW0407	With Projection	7	45	3	25,0	25,5	27,0	31	37	47	57	67
A0203.AW0408	With Projection	8	45	3	26,0	26,5	28,0	32	38	48	58	68
A0203.AW0410	With Projection	10	45	3	28,0	28,5	30,0	34	40	50	60	70
A0203.AW0412	With Projection	12	45	3	30,0	30,5	32,0	36	42	52	62	72
A0203.AW0414	With Projection	14	45	3	32,0	32,5	34,0	38	44	54	64	74
A0203.AW0416	With Projection	16	45	3	34,0	34,5	36,0	40	46	56	66	76
A0203.AW0418	With Projection	18	45	3	36,0	36,5	38,0	42	48	58	68	78
A0203.AW0420	With Projection	20	45	3	38,0	38,5	40,0	44	50	60	70	80
A0203.AW1302	With Projection	-2	35	3	16,5	18,0	22,0	28	38	48	58	52
A0203.AW1402	With Projection	-2	45	3	16,0	16,5	18,0	22	28	38	48	58
A0203.AW1404	With Projection	-4	45	3	14,5	16,0	20,0	26	36	46	56	52
A0203.AW1406	With Projection	-6	45	3	12,5	14,0	18,0	24	34	44	54	52
A0203.AW1408	With Projection	-8	45	3	10,5	12,0	16,0	22	32	42	52	52
A0203.AW5300	W/o Projection	0	35	4	18,0	18,5	20,0	24	30	40	50	60
A0203.AW5302	W/o Projection	2	35	4	20,0	20,5	22,0	26	32	42	52	62
A0203.AW5304	W/o Projection	4	35	4	22,0	22,5	24,0	28	34	44	54	64
A0203.AW5306	W/o Projection	6	35	4	24,0	24,5	26,0	30	36	46	56	66
A0203.AW5310	W/o Projection	10	35	4	28,0	28,5	30,0	34	40	50	60	70
A0203.AW5400	W/o Projection	0	45	3	18,0	18,5	20,0	24	30	40	50	60
A0203.AW5402	W/o Projection	2	45	3	20,0	20,5	22,0	26	32	42	52	62

# Cam Latch Accessories

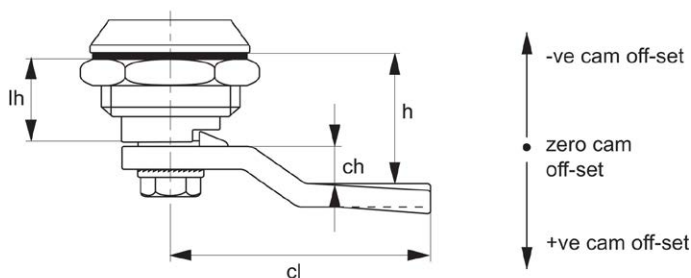
# Single Point Cams - Flexi-System

for cam latches and locks - steel - 8 x 8 Sq.



CAM LATCH ACCESSORIES

Order No.	Type	ch	cl	ts	Where lh = 18	Where lh = 18,5	Where lh = 20	Where lh = 24	Where lh = 30	Where lh = 40	Where lh = 50	Where lh = 60
A0203.AW5403	W/o Projection	3	45	21	21,5	23,0	27,0	33	43	53	63	52
A0203.AW5404	W/o Projection	4	45	3	22,0	22,5	24,0	28	34	44	54	64
A0203.AW5406	W/o Projection	6	45	3	24,0	24,5	26,0	30	36	46	56	66
A0203.AW5407	W/o Projection	7	45	3	25,0	25,5	27,0	31	37	47	57	67
A0203.AW5408	W/o Projection	8	45	3	26,0	26,5	28,0	32	38	48	58	68
A0203.AW5410	W/o Projection	10	45	3	28,0	28,5	30,0	34	40	50	60	70
A0203.AW5412	W/o Projection	12	45	3	30,0	30,5	32,0	36	42	52	62	72
A0203.AW5414	W/o Projection	14	45	3	32,0	32,5	34,0	38	44	54	64	74
A0203.AW5416	W/o Projection	16	45	3	34,0	34,5	36,0	40	46	56	66	76
A0203.AW5418	W/o Projection	18	45	3	36,0	36,5	38,0	42	48	58	68	78
A0203.AW5420	W/o Projection	20	45	3	38,0	38,5	40,0	44	50	60	70	80
A0203.AW6302	W/o Projection	-2	35	4	16,0	16,5	18,0	22	28	38	48	64
A0203.AW6402	W/o Projection	-2	45	3	16,0	16,5	18,0	22	28	38	48	58
A0203.AW6404	W/o Projection	-4	45	4	14,0	14,5	16,0	20	26	36	46	56
A0203.AW6406	W/o Projection	-6	45	4	12,0	12,5	14,0	18	24	34	44	54
A0203.AW6408	W/o Projection	-8	45	4	10,5	12,0	16,0	22	32	42	52	52
A0203.AW6494	With Projection	-4	45	14	14,5	16,0	20,0	26	36	46	56	52
A0203.AW6496	With Projection	-6	45	12	12,5	14,0	18,0	24	34	44	54	52
A0203.AW6498	With Projection	-8	45	10	10,5	12,0	16,0	22	32	42	52	52
A0203.AW0305	With Projection	5	35	4	23,0	23,5	25,0	29	35	45	55	65
A0203.AW1304	With Projection	-4	35	4	14,0	14,5	14,5	20	26	36	46	56
A0203.AW1306	With Projection	-6	35	4	12,0	12,5	12,5	18	24	34	44	54
A0203.AW1308	With Projection	-8	35	4	10	10,5	10,5	16	22	32	42	52
A0203.AW1314	With Projection	-14	35	4	4,0	4,5	4,5	10	16	26	36	46
A0203.AW5308	W/o Projection	8	35	3	26,0	26,5	26,5	32	38	48	58	68
A0203.AW5312	W/o Projection	12	35	4	30,0	30,5	30,5	36	42	52	62	72
A0203.AW5314	W/o Projection	14	35	3	32,0	32,5	32,5	38	44	54	64	74
A0203.AW5318	W/o Projection	18	35	3	36,0	36,5	36,5	42	48	58	68	78
A0203.AW5322	W/o Projection	22	35	4	40,0	40,5	40,5	46	52	62	72	82
A0203.AW5324	W/o Projection	24	35	3	42,0	42,5	42,5	48	54	64	74	84
A0203.AW5326	W/o Projection	26	35	4	44,0	44,5	44,5	50	56	66	76	86
A0203.AW5328	W/o Projection	28	35	3	46,0	46,5	46,5	52	58	68	78	88
A0203.AW5360	W/o Projection	30	35	4	48,0	48,5	48,5	54	60	70	80	90
A0203.AW6301	W/o Projection	-1	35	3	17,0	17,5	17,5	23	29	39	49	59
A0203.AW6306	W/o Projection	-6	35	3	12,0	12,5	12,5	18	24	34	44	54
A0203.AW6308	W/o Projection	-8	35	3	10,0	10,5	10,5	16	22	32	42	52
A0203.AW6310	W/o Projection	-10	35	4	8,0	8,5	8,5	14	20	30	40	50
A0203.AW6314	W/o Projection	-14	35	3	4,0	4,5	4,5	10	16	26	36	46
A0203.AW6316	W/o Projection	-16	35	4	2,0	2,5	2,5	8	14	24	34	44
A0203.AW5422	W/o Projection	22	45	3,4	40,0	40,5	42,0	46	52	62	72	82
A0203.AW5424	W/o Projection	24	45	3,4	42,0	42,5	44,0	48	54	64	74	84
A0203.AW5426	W/o Projection	26	45	3,4	44,0	44,5	46,0	50	56	66	76	86
A0203.AW5428	W/o Projection	28	45	3	46,0	46,5	48,0	52	58	68	78	88
A0203.AW5430	W/o Projection	30	45	3,4	48,0	48,5	50,0	54	60	70	80	90
A0203.AW5432	W/o Projection	32	45	3,4	50,0	50,5	52,0	56	62	72	82	92
A0203.AW5434	W/o Projection	34	45	3,4	52,0	52,5	54,0	58	64	74	84	94
A0203.AW6410	W/o Projection	-10	45	3,4	8,0	8,5	10,0	14	20	30	40	50
A0203.AW6412	W/o Projection	-12	45	3,4	6,0	6,5	8,0	12	18	28	38	48





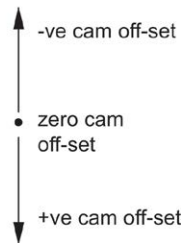
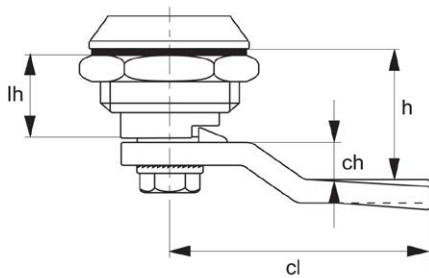
# Single Point Cams - Flexi-System

for cam latches and locks - steel - 8 x 8 Sq.



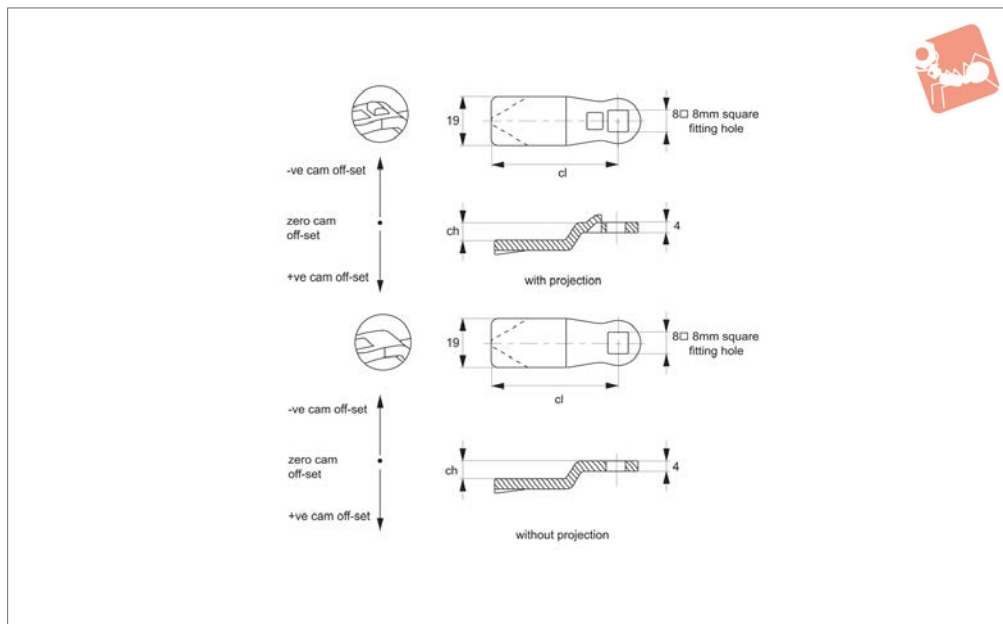
Order No.	Type	ch	cl	ts	Where lh = 18	Where lh = 18,5	Where lh = 20	Where lh = 24	Where lh = 30	Where lh = 40	Where lh = 50	Where lh = 60
<b>A0203.AW6414</b>	W/o Projection	-14	45	3,4	4,0	4,5	6,0	10	16	26	36	46
<b>A0203.AW6416</b>	W/o Projection	-16	45	3,4	2,0	2,5	4,0	8	14	24	34	44
<b>A0203.AW6418</b>	W/o Projection	-18	45	3,4		0,5	2,0	6	12	22	32	42
<b>A0203.AW6420</b>	W/o Projection	-20	45	3,4	-2,0	-1,5		4	10	20	30	40
<b>A0203.AW6422</b>	W/o Projection	-22	45	3,4	-4,0	-3,5	-2,0	2	8	18	28	38
<b>A0203.AW6424</b>	W/o Projection	-24	45	3	-6,0	-5,5	-4,0	0	6	16	26	36
<b>A0203.AW0422</b>	With Projection	22	45	3,4	40,0	40,5	42,0	46	52	62	72	82
<b>A0203.AW0424</b>	With Projection	24	45	4	42,0	42,5	44,0	48	54	64	74	84
<b>A0203.AW0426</b>	With Projection	26	45	4	44,0	44,5	46,0	50	56	66	76	86
<b>A0203.AW0428</b>	With Projection	28	45	4	46,0	46,5	48,0	52	58	68	78	88
<b>A0203.AW0432</b>	With Projection	32	45	3	50,0	50,5	52,0	56	62	72	82	92
<b>A0203.AW1410</b>	With Projection	-10	45	4	8,0	8,5	10,0	14	20	30	40	50
<b>A0203.AW1412</b>	With Projection	-12	45	4	6,0	6,5	8,0	12	18	28	38	48
<b>A0203.AW1414</b>	With Projection	-14	45	4	4,0	4,5	6,0	10	16	26	36	46
<b>A0203.AW1420</b>	With Projection	-20	45	4	-2,0	-1,5		4	10	20	30	40
<b>A0203.AW1422</b>	With Projection	-22	45	4	-4,0	-3,5	-2,0	2	8	18	28	38
<b>A0203.AW1426</b>	With Projection	-26	45	4	-8,0	-7,5	-6,0	-2	4	14	24	34
<b>A0203.AW1428</b>	With Projection	-28	45	4	-10,0	-,5	-8,0	-4	2	12	22	32

CAM LATCH ACCESSORIES





### A0210



#### Material

Stainless steel, AISI 304.

#### Technical Notes

Use formula to calculate  $ch$  (required cam off-set), and select from product table below;

$ch = h - lh$  where;

$ch$  = required cam off-set/height.

$h$  = grip length (distance between inside of latch face and front of cam).

$lh$  = body length of cam latch/lock to be used (see individual latch/lock product table).

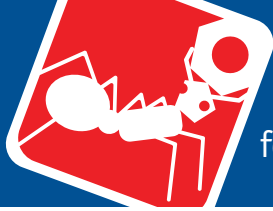
Refer to installation drawing below.

#### Important Notes

Suitable for Flexi-System latches. „With projection“ type ensures correct location and prevents cam rotating over 45°. See **cam selection chart for specific latch/lock suitability.**

Sold subject to pack quantity.

Order No.	Type	ch	cl	Where $lh = 18$ h =	Where $lh = 18,5$ h =
A0210.AW0400	With Projection	0	45	18	18,5
A0210.AW0420	Without Projection	0	45	18	18,5
A0210.AW0402	With Projection	2	45	20	20,5
A0210.AW0423	Without Projection	2	45	20	20,5
A0210.AW0404	With Projection	4	45	22	22,5
A0210.AW0424	Without Projection	4	45	22	22,5
A0210.AW0406	With Projection	6	45	24	24,5
A0210.AW0426	Without Projection	6	45	24	24,5
A0210.AW0408	With Projection	8	45	26	26,5
A0210.AW0428	Without Projection	8	45	26	26,5
A0210.AW0410	With Projection	10	45	28	28,5
A0210.AW0430	Without Projection	10	45	28	28,5
A0210.AW0412	With Projection	12	45	30	30,5
A0210.AW0432	Without Projection	12	45	30	30,5
A0210.AW0434	Without Projection	14	45	32	32,5
A0210.AW0436	Without Projection	16	45	34	34,5
A0210.AW0438	Without Projection	18	45	36	36,5
A0210.AW0500	With Projection	20	45	38	38,5
A0210.AW0520	Without Projection	20	45	38	38,5
A0210.AW0422	With Projection	22	45	40	40,5
A0210.AW5422	Without Projection	22	45	40	40,5
A0210.AW0524	With Projection	24	45	22	22,5
A0210.AW5424	Without Projection	24	45	42	42,5
A0210.AW0526	With Projection	26	45	24	24,5
A0210.AW5426	Without Projection	26	45	44	44,5
A0210.AW0528	With Projection	28	45	26	26,5
A0210.AW5428	Without Projection	28	45	46	46,5
A0210.AW5430	Without Projection	30	45	48	48,5
A0210.AW0532	With Projection	32	45	30	30,5
A0210.AW5432	Without Projection	32	45	50	50,5



# Single Point Cams - Flexi-System

for cam latches and locks - stainless steel - 8 x 8 Sq.



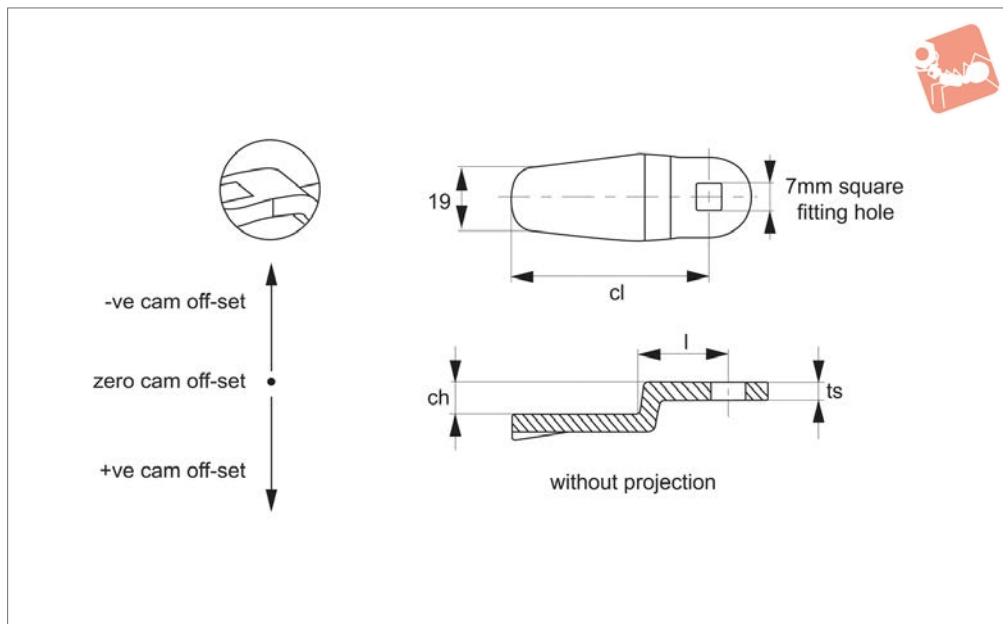
Order No.	Type	ch	cl	Where lh = 18 h =	Where lh = 18,5 h =
A0210.AW5434	Without Projection	34	45	52	52.5
A0210.AW0002	Without Projection	-2	45	16	16.5
A0210.AW6304	Without Projection	-4	35	14	14.5
A0210.AW6410	With Projection	-10	45	8	8.5
A0210.AW1410	Without Projection	-10	45	8	8.5
A0210.AW1412	With Projection	-12	45	6	6.5
A0210.AW6412	Without Projection	-12	45	6	6.5
A0210.AW1414	With Projection	-14	45	4	4.5
A0210.AW6414	Without Projection	-14	45	4	4.5
A0210.AW6416	Without Projection	-16	45	2	2.5
A0210.AW6418	Without Projection	-18	45	0	0.5
A0210.AW1420	With Projection	-20	45	-2	-1.5
A0210.AW6420	Without Projection	-20	45	-2	-1.5
A0210.AW1422	With Projection	-22	45	-4	-3.5
A0210.AW6422	Without Projection	-22	45	-4	-3.5
A0210.AW6424	Without Projection	-24	45	-6	-5.5
A0210.AW1426	With Projection	-26	45	-8	-7.5
A0210.AW1428	Without Projection	-28	45	-10	-9.5

Order No.	Where lh = 20 h =	Where lh = 25 h =	Where lh = 30 h =	Where lh = 40 h =	Where lh = 50 h =	Where lh = 60 h =
A0210.AW0400	20	25	30	40	50	60
A0210.AW0420	20	25	30	40	50	60
A0210.AW0402	22	27	32	42	52	62
A0210.AW0423	22	27	32	42	52	62
A0210.AW0404	24	29	34	44	54	64
A0210.AW0424	24	29	34	44	54	64
A0210.AW0406	26	31	36	46	56	66
A0210.AW0426	26	31	36	46	56	66
A0210.AW0408	28	33	38	48	58	68
A0210.AW0428	28	33	38	48	58	68
A0210.AW0410	30	35	40	50	60	70
A0210.AW0430	30	35	40	50	60	70
A0210.AW0412	32	37	42	52	62	72
A0210.AW0432	32	37	42	52	62	72
A0210.AW0434	34	39	44	54	64	74
A0210.AW0436	36	41	46	56	66	76
A0210.AW0438	38	43	48	58	68	78
A0210.AW0500	40	45	50	60	70	80
A0210.AW0520	40	45	50	60	70	80
A0210.AW0422	42	47	52	62	72	82
A0210.AW5422	42	47	52	62	72	82
A0210.AW0524	24	29	34	44	54	64
A0210.AW5424	44	49	54	64	74	84
A0210.AW0526	26	31	36	46	56	66
A0210.AW5426	46	51	56	66	76	86
A0210.AW0528	28	33	38	48	58	68
A0210.AW5428	48	53	58	68	78	88
A0210.AW5430	50	55	60	70	80	90
A0210.AW0532	32	37	42	52	62	72
A0210.AW5432	52	57	62	72	82	92
A0210.AW5434	54	59	64	74	84	94
A0210.AW0002	18	23	28	38	48	58
A0210.AW6304	16	21	26	36	46	56
A0210.AW6410	10	15	20	30	40	50
A0210.AW1410	10	15	20	30	40	50
A0210.AW1412	8	13	18	28	38	48
A0210.AW6412	8	13	18	28	38	48
A0210.AW1414	6	11	16	26	36	46
A0210.AW6414	6	11	16	26	36	46
A0210.AW6416	4	9	14	24	34	44
A0210.AW6418	2	7	12	22	32	42
A0210.AW1420	0	5	10	20	30	40
A0210.AW6420	0	5	10	20	30	40
A0210.AW1422	-2	3	8	18	28	38
A0210.AW6422	-2	3	8	18	28	38
A0210.AW6424	-4	1	6	16	26	36
A0210.AW1426	-6	-1	4	14	24	34
A0210.AW1428	-8	-3	2	12	22	32

CAM LATCH ACCESSORIES



## A0215



### Material

Steel, zinc plated.

### Technical Notes

Use formula to calculate  $ch$  (required cam off-set), and select from product table below;

$ch = h - lh$  where;

$ch$  = required cam off-set/height.

$h$  = grip length (distance between inside of latch face and front of cam).

$lh$  = body length of cam latch/lock to be used (see individual latch/lock product

table).

Refer to installation drawing below.

### Important Notes

**See cam selection chart for specific latch/lock suitability.**

Sold subject to pack quantity.

Order No.	Type	ch	cl	ts	Where $lh = 18 h =$
A0215.AW5400	W/o Projection	0	45	3	18
A0215.AW5402	W/o Projection	2	45	3	20
A0215.AW5404	W/o Projection	4	45	3	22
A0215.AW5406	W/o Projection	6	45	3	24
A0215.AW5407	W/o Projection	7	45	3	25
A0215.AW5408	W/o Projection	8	45	3	26
A0215.AW5410	W/o Projection	10	45	3	28
A0215.AW5412	W/o Projection	12	35	3	30
A0215.AW5414	W/o Projection	14	45	3	32
A0215.AW5417	W/o Projection	17	45	3	35
A0215.AW5416	W/o Projection	16	45	3	34
A0215.AW5418	W/o Projection	18	45	3	36
A0215.AW5420	W/o Projection	20	45	3	38
A0215.AW5305	W/o Projection	5	35	3	23
A0215.AW5306	W/o Projection	6	35	3	24
A0215.AW5310	W/o Projection	10	35	3	28
A0215.AW5312	W/o Projection	12	35	3	30
A0215.AW5315	W/o Projection	15	35	3	33
A0215.AW5320	W/o Projection	20	35	3	38

Order No.	Where $lh = 18,5 h =$	Where $lh = 20 h =$	Where $lh = 24 h =$	Where $lh = 30 h =$	Where $lh = 40 h =$	Where $lh = 50 h =$	Where $lh = 60 h =$
A0215.AW5400	18.5	20	24	30	40	50	60
A0215.AW5402	20.5	22	26	32	42	52	62
A0215.AW5404	22.5	24	28	34	44	54	64
A0215.AW5406	24.5	26	30	36	46	56	66
A0215.AW5407	25.5	27	31	37	47	57	67
A0215.AW5408	26.5	28	32	38	48	58	68
A0215.AW5410	28.5	30	34	40	50	60	70
A0215.AW5412	30.5	32	36	42	52	62	72
A0215.AW5414	32.5	34	38	44	54	64	74





# Single Point Cams - Flexi-System - 7 x

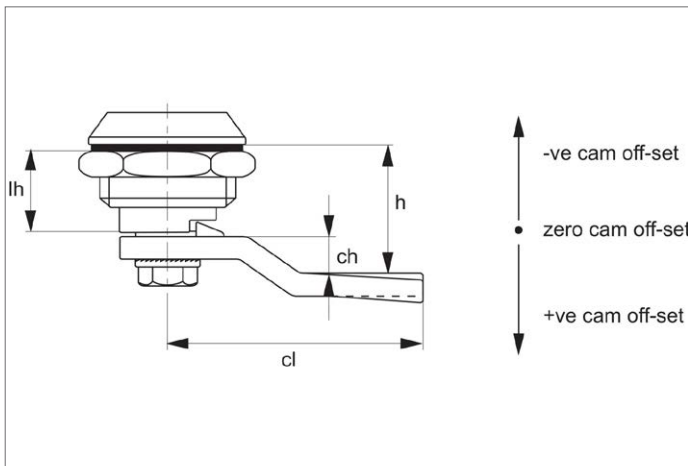
for cam latches and locks - steel



CAM LATCH ACCESSORIES

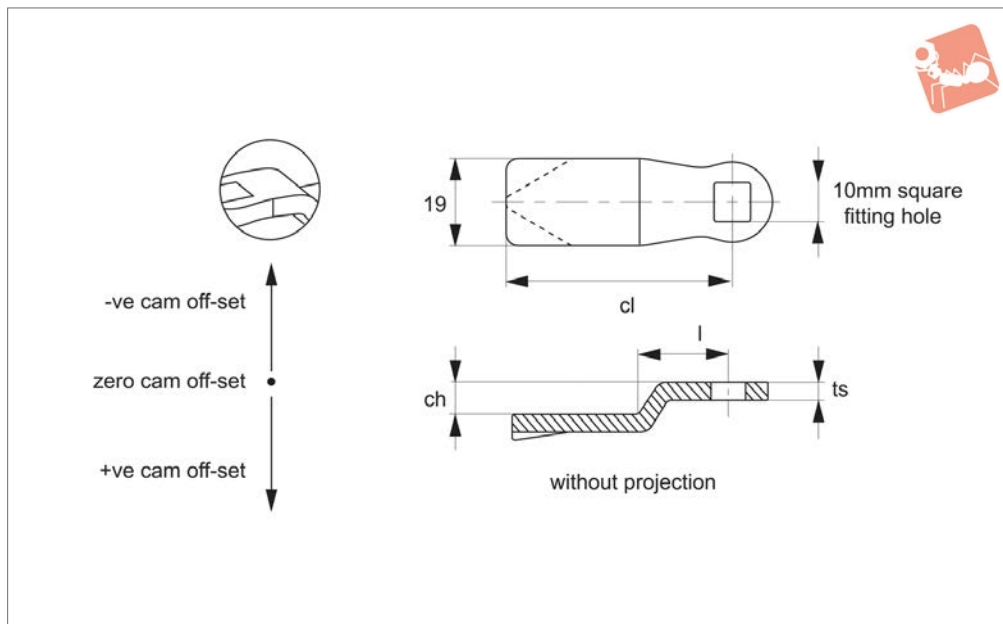
Order No.    Where lh = 18,5 h =Where lh = 20 h =Where lh = 24 h =Where lh = 30 h =Where lh = 40 h =Where lh = 50 h =Where lh = 60 h =

A0215.AW5417	35.5	37	41	47	57	67	77
A0215.AW5416	34.5	36	40	46	56	66	76
A0215.AW5418	36.5	38	42	48	58	68	78
A0215.AW5420	38.5	40	44	50	60	70	80
A0215.AW5305	23.5	25	29	35	45	55	65
A0215.AW5306	24.5	26	30	36	46	56	66
A0215.AW5310	28.5	30	34	40	50	60	70
A0215.AW5312	30.5	32	36	42	52	62	72
A0215.AW5315	33.5	35	39	45	55	65	75
A0215.AW5320	38.5	40	44	50	60	70	80





## A0216



### Material

Steel, zinc plated.

### Technical Notes

Use formula to calculate  $ch$  (required cam off-set), and select from product table below;

$ch = h - lh$  where;

$ch$  = required cam off-set/height.

$h$  = grip length (distance between inside of latch face and front of cam).

$lh$  = body length of cam latch/lock to be used (see individual latch/lock product

table).

Refer to installation drawing below.

### Important Notes

**See cam selection chart for specific latch/lock suitability.**

Sold subject to pack quantity.

Order No.	Type	ch	cl	ts	Where lh = 18 h =
A0216.AW6406	W/o Projection	-6	45	3	12
A0216.AW6410	W/o Projection	-10	45	3	8
A0216.AW5500	W/o Projection	0	50	3	18
A0216.AW5507	W/o Projection	7	50	3	25
A0216.AW5508	W/o Projection	8	50	3	26
A0216.AW5510	W/o Projection	10	50	3	28
A0216.AW5514	W/o Projection	14	50	3	32
A0216.AW5520	W/o Projection	20	50	3	38
A0216.AW6506	W/o Projection	-6	50	3	12
A0216.AW5400	W/o Projection	0	45	3	18
A0216.AW5403	W/o Projection	3	45	3	21
A0216.AW5409	W/o Projection	9	45	3	27
A0216.AW5410	W/o Projection	10	45	3	28
A0216.AW5412	W/o Projection	12	45	3	30
A0216.AW5420	W/o Projection	20	45	3	38

Order No.    Where lh = 18,5 h =Where lh = 20 h =Where lh = 24 h =Where lh = 30 h =Where lh = 40 h =Where lh = 50 h =Where lh = 60 h =

A0216.AW6406	12.5	14	18	24	34	44	54
A0216.AW6410	8.5	10	14	20	30	40	50
A0216.AW5500	18.5	20	24	30	40	50	60
A0216.AW5507	25.5	27	31	37	47	57	67
A0216.AW5508	26.5	28	32	38	48	58	68
A0216.AW5510	28.5	30	34	40	50	60	70
A0216.AW5514	32.5	34	38	44	54	64	74
A0216.AW5520	38.5	40	44	50	60	70	80
A0216.AW6506	12.5	14	18	24	34	44	54
A0216.AW5400	18.5	20	24	30	40	50	60
A0216.AW5403	21.5	23	27	33	43	53	63
A0216.AW5409	27.5	29	33	39	49	59	69
A0216.AW5410	28.5	30	34	40	50	60	70



# Single Point Cams - Flexi-System - 10

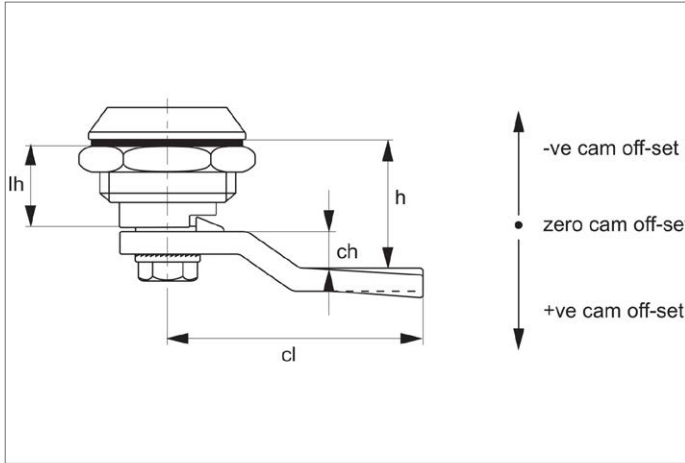
for cam latches and locks - steel



## Cam Latch Accessories

**Order No.**    Where lh = 18,5 h =Where lh = 20 h =Where lh = 24 h =Where lh = 30 h =Where lh = 40 h =Where lh = 50 h =Where lh = 60 h =

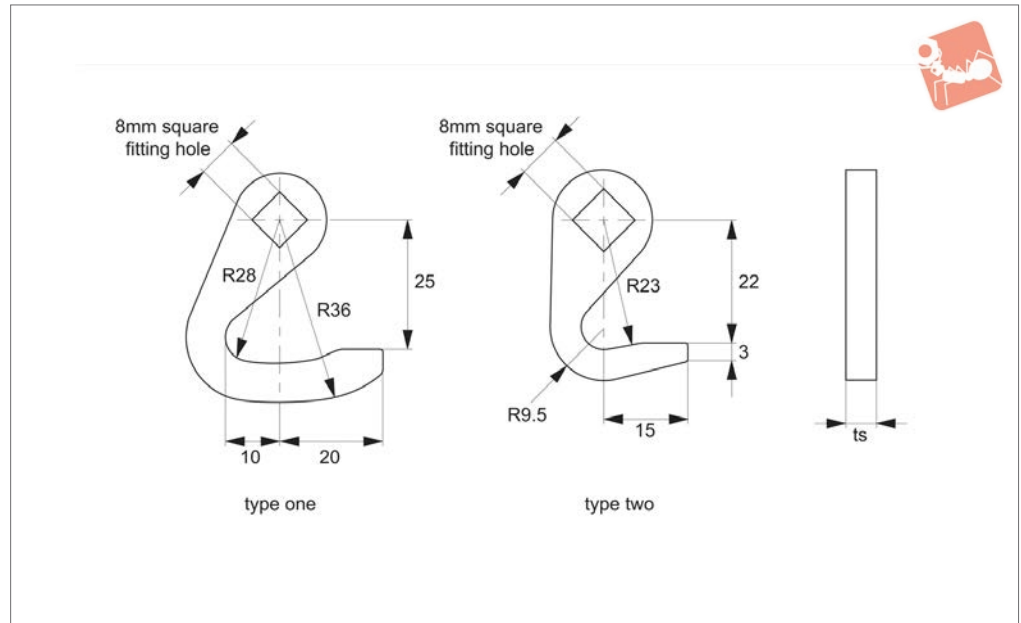
<b>A0216.AW5412</b>	30.5	32	36	42	52	62	72
<b>A0216.AW5420</b>	38.5	40	44	50	60	70	80



CAM LATCH ACCESSORIES



**A0224**



**Material**

Steel, zinc plated.

**Technical Notes**

Hooked cam gives rotation of 360°. Suitable for push - pull type cabinet doors.

Allows securing to fixed point or plate within frame.

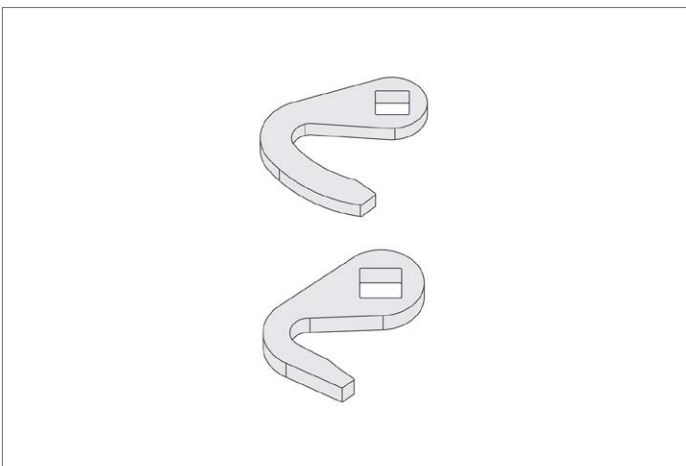
**Tips**

Reversing the cam gives both clockwise and anticlockwise hooking action.

**Important Notes**

Suitable for flexi system latches.

Order No.	Type	Rotation radius	ts
A0224.AW0010	One	28	4
A0224.AW0020	Two	23	4

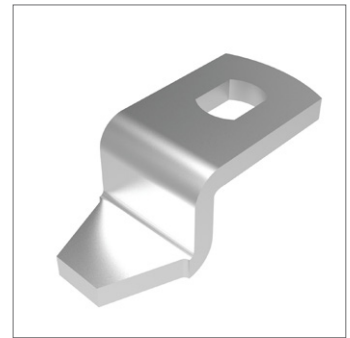
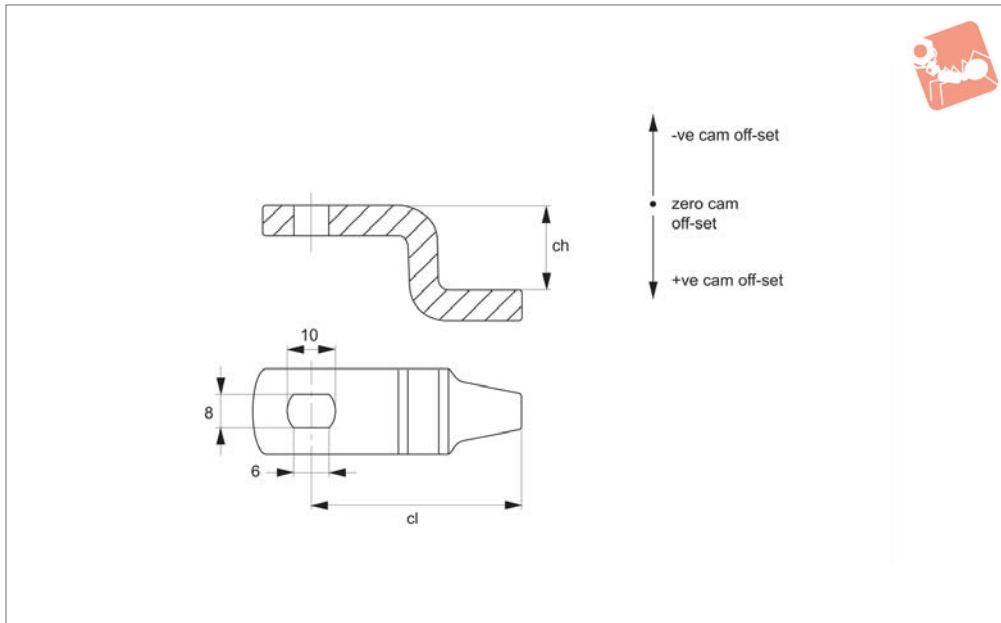




# Single Point Cams - Steel

for adjustable grip compression cam latches

## Cam Latch Accessories



**A0231**

CAM LATCH ACCESSORIES

### Material

Steel, zinc plated.

### Technical Notes

Use formula to calculate  $ch$  (required cam off-set), and select from product table below;

$ch = h - lh$  where;

$ch$  = required cam off-set/height.

$h$  = grip length (distance between inside of

latch face and front of cam).

$lh$  = body length of cam latch/lock to be used (see individual latch/lock product table).

Refer to installation drawing below.

### Important Notes

Suitable for adjustable grip compression cam latches A1603, A1611, A1630, A1810.

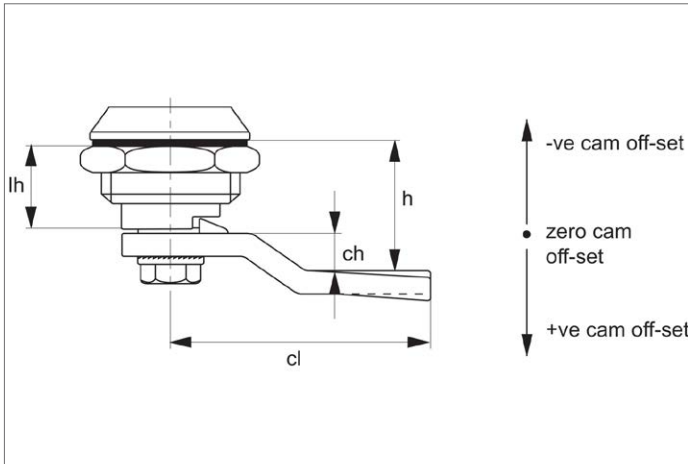
**See cam selection chart for specific**

### latch/lock suitability.

Installation hole is rectangular 6mmx4mm.

**Please note due to design of the single point cam, it is not possible to use +ve offset cam in reverse/upside down as it results in a clash with the body of the cam latch- making it inoperable.**

Order No.	ch	cl	Where lh = 32
A0231.AW0300	0	33	32
A0231.AW0314	14	33	46
A0231.AW0327	27	33	59
A0231.AW0305	5	33	37
A0231.AW0308	8	33	40
A0231.AW0310	10	33	42
A0231.AW0312	12	33	44
A0231.AW0316	16	33	48
A0231.AW0318	18	33	50
A0231.AW0322	22	33	54
A0231.AW0324	24	33	56
A0231.AW0328	28	33	60
A0231.AW0330	30	33	62
A0231.AW1304	-4	33	28
A0231.AW1308	-7	33	25
A0231.AW1314	-14	33	18
A0231.AW1316	-16	33	16
A0231.AW1318	-18	33	14
A0231.AW1410	-10	45	22
A0231.AW0400	0	45	32
A0231.AW0405	5	45	37
A0231.AW0408	8	45	40
A0231.AW0418	18	45	50

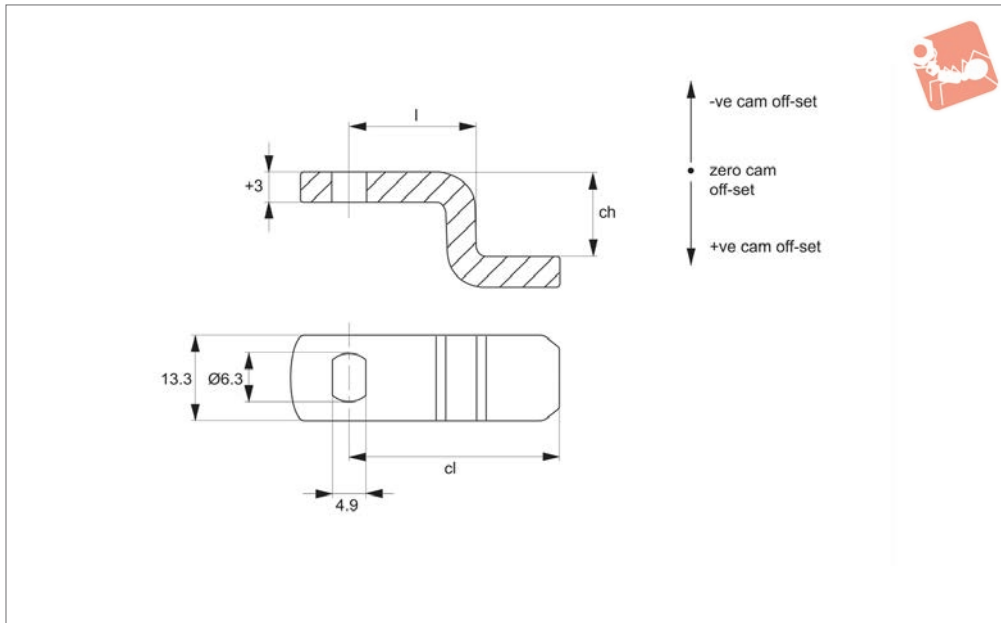




# Single Point Cams - Steel

for adjustable grip mini compression cam latches -

## Cam Latch Accessories



**A0234**

CAM LATCH ACCESSORIES

### Material

Steel, zinc plated.

### Technical Notes

Use formula to calculate  $ch$  (required cam off-set), and select from product table below;

$ch = h - lh$  where;

$ch$  = required cam off-set/height.

$h$  = grip length (distance between inside of

latch face and front of cam).

$lh$  = body length of cam latch/lock to be used (see individual latch/lock product table).

Refer to installation drawing above.

### Important Notes

Suitable for adjustable grip mini compression cam latches A1660 and A1666. **See cam selection chart for specific latch/**

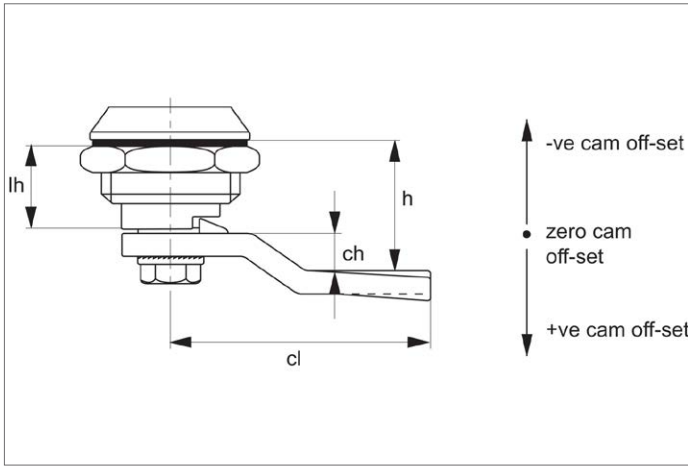
### lock suitability.

Sold subject to pack quantity.

Installation hole is rectangular 6mmx4mm.

**Please note due to design of the single point cam, it is not possible to use +ve offset cam in reverse/upside down as it results in a clash with the body of the cam latch- making it inoperable.**

Order No.	Type	ch	cl	l	ts	Where $lh = 22,5$ min. $h =$
A0234.AW0300	+ve offset	0	23	10	2.8	22.5
A0234.AW0301	+ve offset	1	23	10	2.8	23.5
A0234.AW0303	+ve offset	4	23	10	2.8	26.5
A0234.AW0307	+ve offset	7	23	10	2.8	29.5
A0234.AW0310	+ve offset	10	23	10	2.8	32.5
A0234.AW0313	+ve offset	13	23	10	2.8	35.5
A0234.AW0316	+ve offset	16	23	10	2.8	38.5
A0234.AW0320	+ve offset	20	23	10	2.8	42.5
A0234.AW0323	+ve offset	23	23	10	2.8	45.5
A0234.AW6304	-ve offset	-4	23	11	2.8	18.5
A0234.AW6308	-ve offset	-8	23	11	2.8	14.5
A0234.AW6312	-ve offset	-12	23	11	2.8	10.5
A0234.AW6316	-ve offset	-16	23	11	2.8	6.5
A0234.AW6323	-ve offset	-23	23	11	2.8	0.0
A0234.AW6302	-ve offset	-2	23	11	3	20.5
A0234.AW6306	-ve offset	-6	23	11	3	16.5
A0234.AW6314	-ve offset	-14	23	11	3	8.5
A0234.AW6320	-ve offset	-20	23	11	3	2.5
A0234.AW6324	-ve offset	-24	23	11	3	-1.5



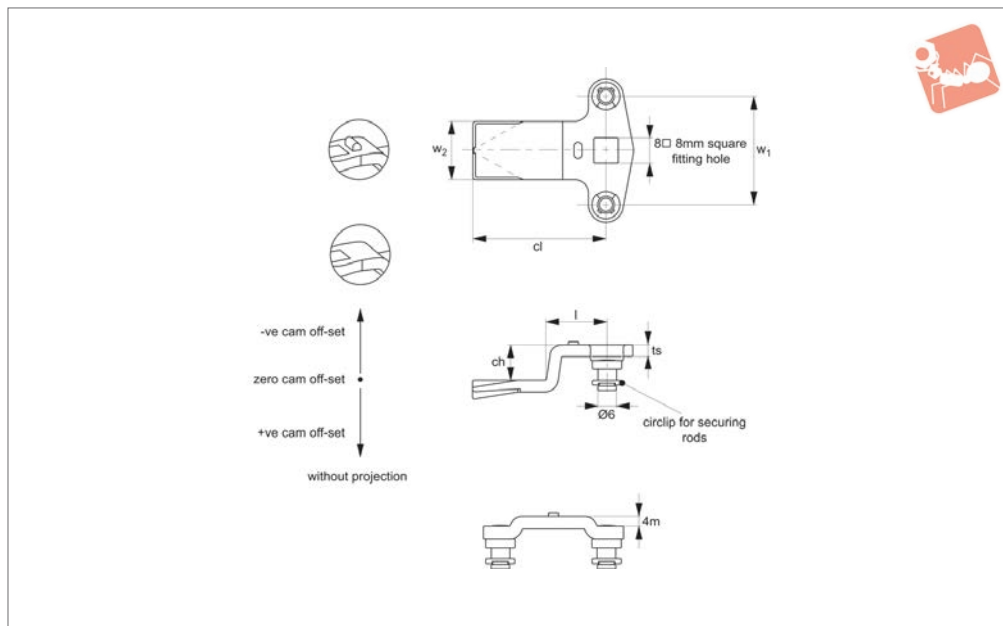




# Two Point Cams - Flexi-System

for 3-point latching of cam latches and locks - zinc

## Cam Latch Accessories



**A0240**

CAM LATCH ACCESSORIES

### Material

Steel, zinc plated.  
Size: 8 x 8 Sq.

### Technical Notes

Use formula to calculate  $ch$  (required cam off-set), and select from product table below;

$ch = h - lh$  where;

$ch$  = required cam off-set/height.

$h$  = grip length (distance between inside of latch face and front of cam).

$lh$  = body length of cam latch/lock to be used (see individual latch/lock product table).

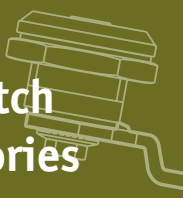
### Important Notes

Suitable for Flexi-System latches. „With projection“ type ensures correct location and prevents cam rotating over 45°. **See cam selection chart for specific latch/lock suitability.**

Sold subject to pack quantity.

Order No.	Type	ch	cl	l	ts	w <sub>1</sub>	w <sub>2</sub>
A0240.AW0000	With Projection	0	45	20	4	36	20
A0240.AW0004	With Projection	4	45	20	4	36	20
A0240.AW0008	With Projection	8	45	20	4	36	20
A0240.AW0010	With Projection	10	45	20	4	36	20
A0240.AW0012	With Projection	12	45	20	4	36	20
A0240.AW0014	With Projection	14	45	20	4	36	20
A0240.AW0016	With Projection	16	45	20	4	36	20
A0240.AW0020	With Projection	20	45	20	4	36	20
A0240.AW0022	With Projection	22	45	20	4	36	20
A0240.AW0100	W/o Projection	0	45	20	4	36	20
A0240.AW0104	W/o Projection	4	45	20	4	36	20
A0240.AW0108	W/o Projection	8	45	20	4	36	20
A0240.AW0110	W/o Projection	10	45	20	4	36	20
A0240.AW0120	W/o Projection	12	45	20	4	36	20
A0240.AW0140	W/o Projection	14	45	20	4	36	20
A0240.AW0160	W/o Projection	16	45	20	4	36	20
A0240.AW0200	W/o Projection	20	45	20	4	36	20
A0240.AW0220	W/o Projection	22	45	20	4	36	20

Order No.	Where lh = 18	Where lh = 18,5	Where lh = 20	Where lh = 25	Where lh = 30	Where lh = 40	Where lh = 50	Where lh = 60
	h =	h =	h =	h =	h =	h =	h =	h =
A0240.AW0000	18	18.5	20	25	30	40	50	60
A0240.AW0004	22	22.5	24	29	34	44	54	64
A0240.AW0008	26	26.5	28	33	38	48	58	68
A0240.AW0010	28	28.5	30	35	40	50	60	70
A0240.AW0012	30	30.5	32	37	42	52	62	72
A0240.AW0014	32	32.5	34	39	44	54	64	74
A0240.AW0016	34	34.5	36	41	46	56	66	76
A0240.AW0020	38	38.5	40	45	50	60	70	80
A0240.AW0022	40	40.5	42	47	52	62	72	82



## Two Point Cams - Flexi-System for 3-point latching of cam latches and locks - zinc

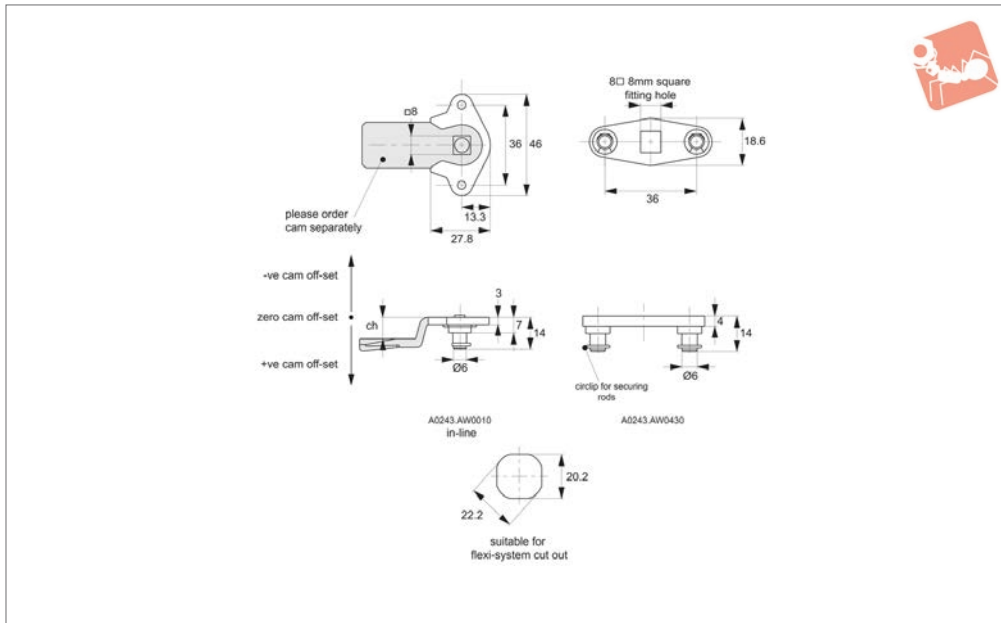


Order No.	Where lh = 18 h =	Where lh = 18,5 h =	Where lh = 20 h =	Where lh = 25 h =	Where lh = 30 h =	Where lh = 40 h =	Where lh = 50 h =	Where lh = 60 h =
A0240.AW0100	18	18.5	20	25	30	40	50	60
A0240.AW0104	22	22.5	24	29	34	44	54	64
A0240.AW0108	26	26.5	28	33	38	48	58	68
A0240.AW0110	28	28.5	30	35	40	50	60	70
A0240.AW0120	30	30.5	32	37	42	52	62	72
A0240.AW0140	32	32.5	34	39	44	54	64	74
A0240.AW0160	34	34.5	36	41	46	56	66	76
A0240.AW0200	38	38.5	40	45	50	60	70	80
A0240.AW0220	40	40.5	42	47	52	62	72	82



# Multi Point Locking Adaptor - Flexi- for cam latches, locks and swing handles - zinc

## Cam Latch Accessories



**A0243**

CAM LATCH ACCESSORIES

### Material

Steel, zinc plated.

### Technical Notes

Two point locking adaptor for use with our round rod latching system on cam latches and swing handles, to achieve a comprehensive latching system for tall cabinets

and enclosures.

### Tips

Use formula to calculate **ch** (required cam off-set), and refer to cam chart;  
**ch = h - lh** where;  
**ch** = required cam off-set/ height.  
**h** = grip length (distance between inside of

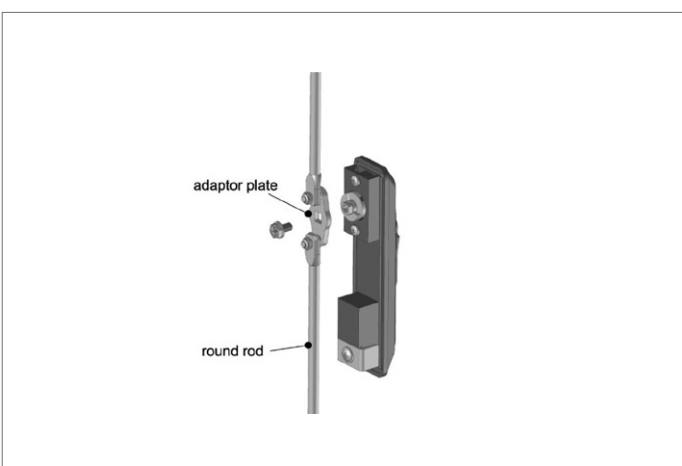
latch face and front of cam).

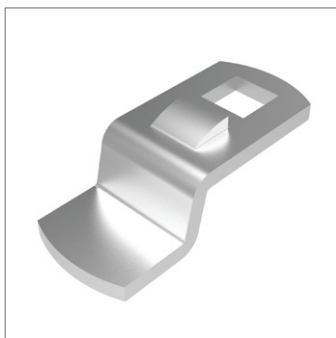
**lh** = body length of cam latch/lock to be used (see product table below).

### Important Notes

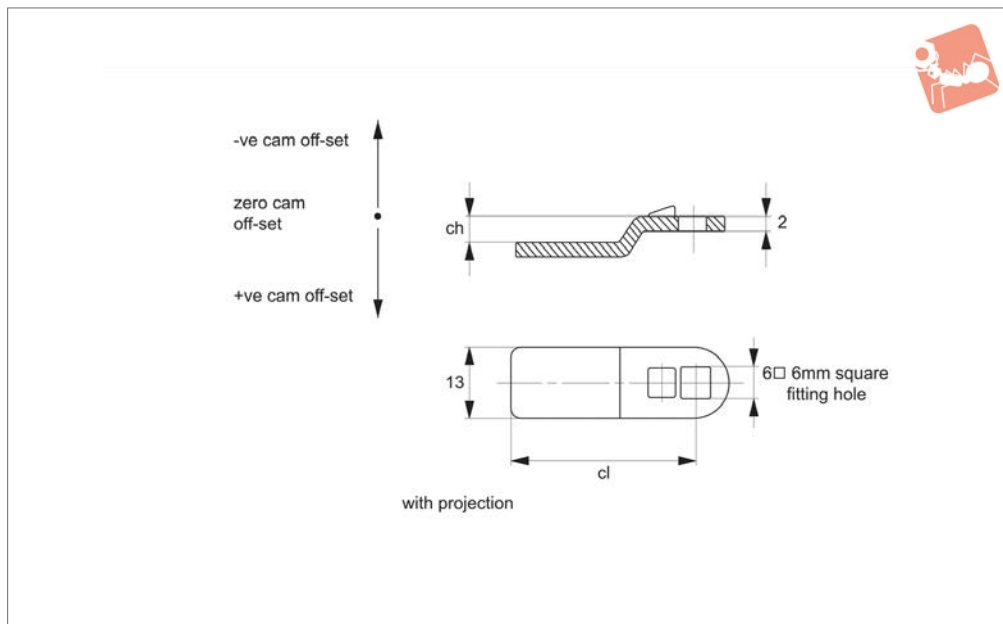
Sold subject to pack quantity.

Order No.	Type	Application
A0243.AW0010	W/o projection	In-line Multi-Point Locking Adaptor
A0243.AW0430	W/o projection	Two Point Locking Adaptor





### A0261



#### Material

Steel, zinc plated.

#### Technical Notes

Use formula to calculate  $ch$  (required cam off-set), and select from product table below;

$ch = h - lh$  where;

$ch$  = required cam off-set/height.

$h$  = grip length (distance between inside of latch face and front of cam).

$lh$  = body length of cam latch/lock to be used (see individual latch/lock product table).

Refer to installation drawing below.

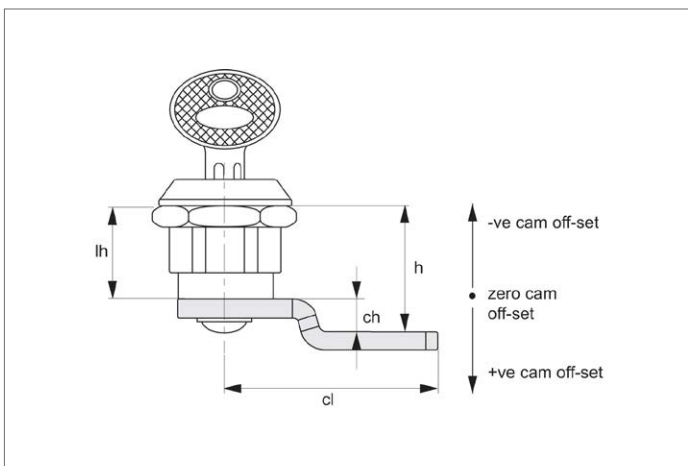
#### Important Notes

With projection type ensures correct location and prevents cam rotating over 45°.

**See cam selection chart for specific latch/lock suitability.**

Sold subject to pack quantity.

Order No.	ch	cl	Where lh = 18	Where lh = 18,5	Where lh = 20	Where lh = 25	Where lh = 30	Where lh = 40	Where lh = 50	Where lh = 60
			h =	h =	h =	h =	h =	h =	h =	h =
A0261.AW0200	0	25	18	18.5	20	25	30	40	50	60
A0261.AW0206	6	25	24	24.5	26	31	36	46	56	66
A0261.AW0296	-6	25	12	12.5	14	19	24	34	44	54
A0261.AW0307	7	30	25	25.5	27	32	37	47	57	67

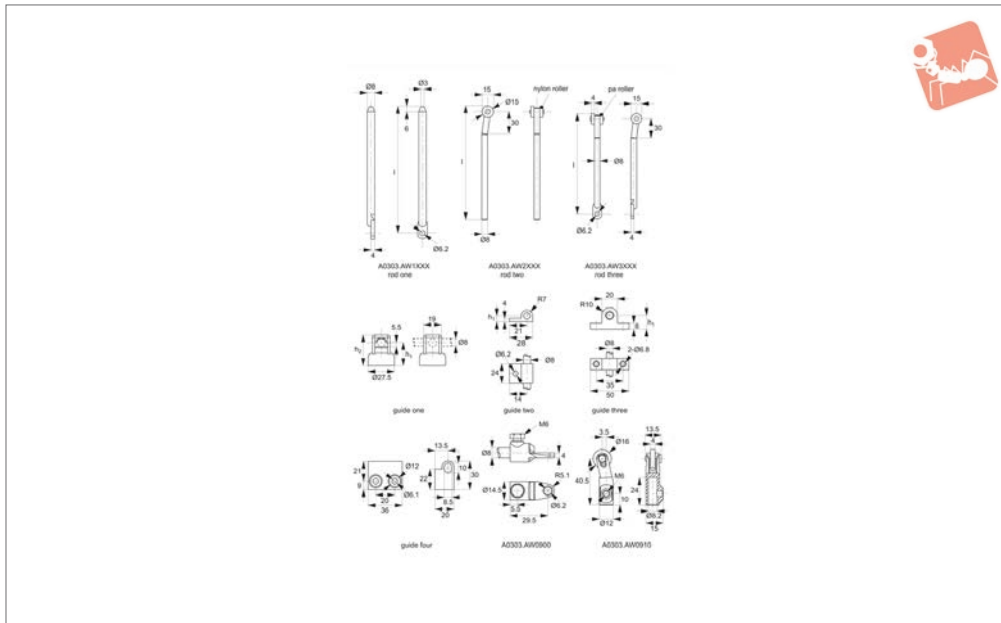




# Multi-Point Latching Set

round rod - for cam latches and swing handles

## Cam Latch Accessories



### A0303

CAM LATCH ACCESSORIES

#### Material

Rod: steel, zinc plated. With Nylon or PA6 rollers.

Rod Guides One to Four: polyamide, PA6.

Rod Adaptor and Roller Adaptor: die cast zinc, zinc plated.

#### Technical Notes

For use with cam latches & locks, making a

full 3-point latching system.

**Distance between base of rod and inside of door depends upon height of rod guide selected, see dimension  $h_1$ .**

**Rod guides:** fixed via counter sunk screw or weld-on stud.

**Rod adaptor:** fits to any length of rod. If rod of different length is required, simply

cut oversized length with a saw.

**Cams:** see two point cams A0240 to achieve 3-point locking.

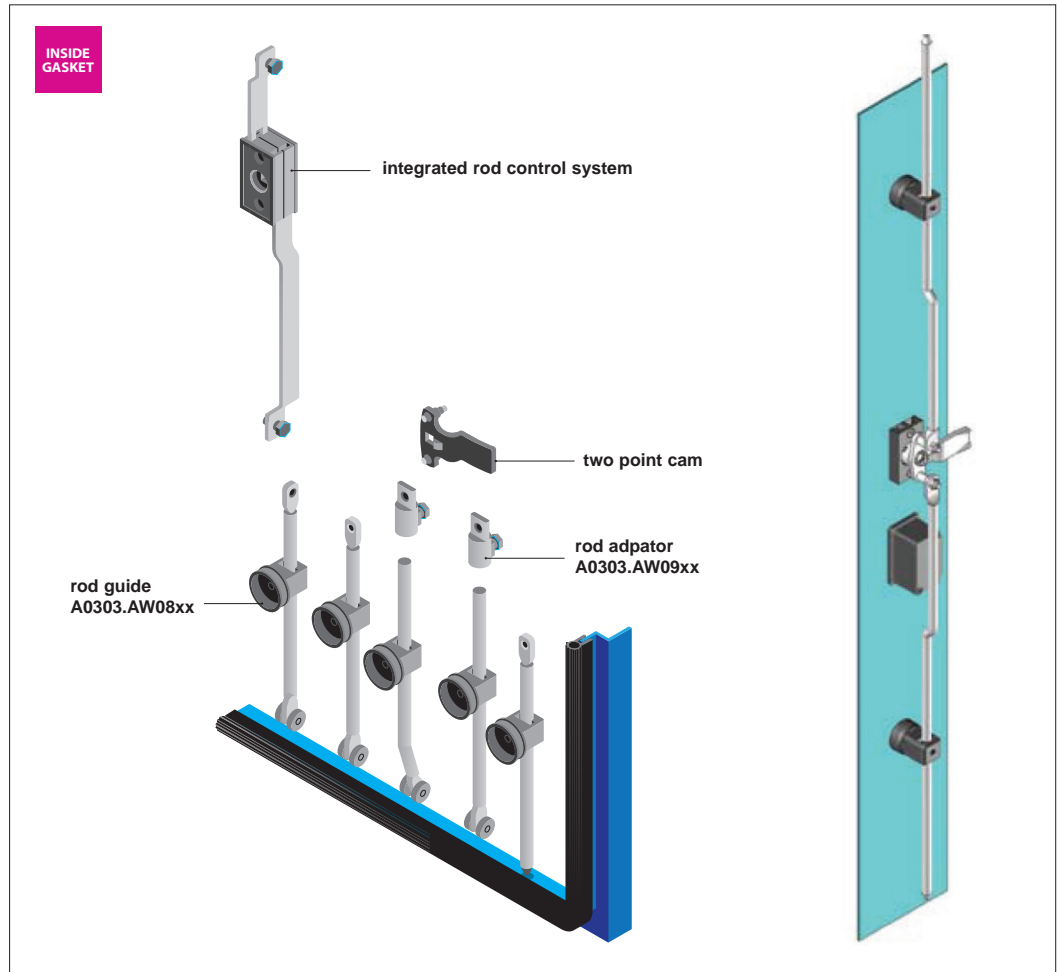
#### Important Notes

**Please order rods, rod guides and rod adaptors separately.**

Order No.	Type	Length l	$h_1$	$h_2$	Weld screw
A0303.AW0861	Guide One	-	24	32	M 6 x 16
A0303.AW0862	Guide One	-	30	38	M 6 x 20
A0303.AW0863	Guide One	-	34	42	M 6 x 20
A0303.AW0881	Guide Two	-	7	-	-
A0303.AW0882	Guide Three	-	18	-	-
A0303.AW0883	Guide Four	-	22	-	-
A0303.AW0900	Rod Adaptor	-	-	-	-
A0303.AW0910	Roller Adaptor	-	-	-	-
A0303.AW1060	Rod One	600	-	-	-
A0303.AW1080	Rod One	800	-	-	-
A0303.AW1100	Rod One	1000	-	-	-
A0303.AW2060	Rod Two	600	-	-	-
A0303.AW2080	Rod Two	800	-	-	-
A0303.AW2100	Rod Two	1000	-	-	-
A0303.AW3060	Rod Three	600	-	-	-
A0303.AW3080	Rod Three	800	-	-	-
A0303.AW3100	Rod Three	1000	-	-	-



### Applications inside the gasket



CAM LATCH ACCESSORIES

### Round rod and accessories compatibility

Round rod type	Rod one	Rod two	Rod three
<b>Part no. A0303 compatible with:</b>	<b>.AW1xxx</b>	<b>.AW2xxx</b>	<b>.AW3xxx</b>
Two point cam (A0240)	✓	✓	✓
Integrated rod control systems	✓	✗	✗
<b>Required accessories:</b>			
Rod guide A0303.AW08xx 	✓	✓	✓
Rod adaptor A0303.AW0900 	✗	✓	✗
Roller adaptor A0303.AW0910	✓	✗	✗

**Note: Use of rod guide is essential for all applications.**

### Ordering example for complete rod set

To suit a single enclosure door, where h1 (height between base of rod and inside of door) = 24mm.

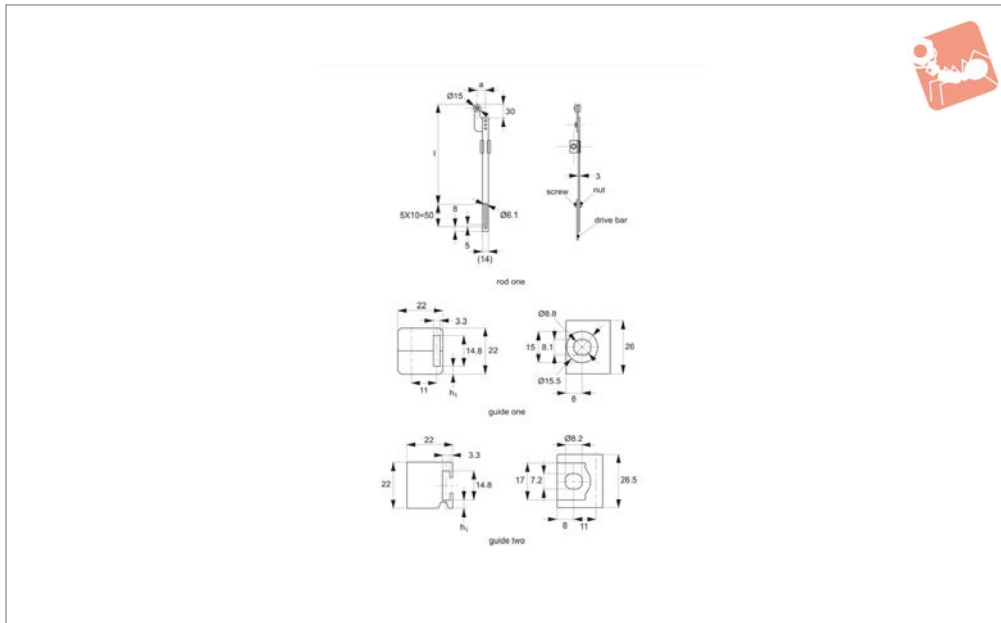
- 1 x A0303.AW2100 - round rod (pkt of 2).
- 1 x A0303.AW0861 - rod guide (pkt of 2), h1 = 24mm.
- 1 x A0303.AW0900 - rod adaptor (pkt of 2).



# Multi-Point Latching Set

flat rod - for cam latches and swing handles

## Cam Latch Accessories



**A0321**

CAM LATCH ACCESSORIES

### Material

Rod: steel, zinc plated. With nylon or PA6 rollers.

Rod guides One and Two: polyamide, PA6.

### Technical Notes

For use with cam latches & locks, making a

full 3-point latching system. Distance between base of rod and inside of door depends upon height of rod guide selected, see dimension  $h_1$ .

**Rod guides:** fixed via counter sunk screw or weld-on stud.

**Cams:** see two point cams A0240 to achieve 3-point locking.

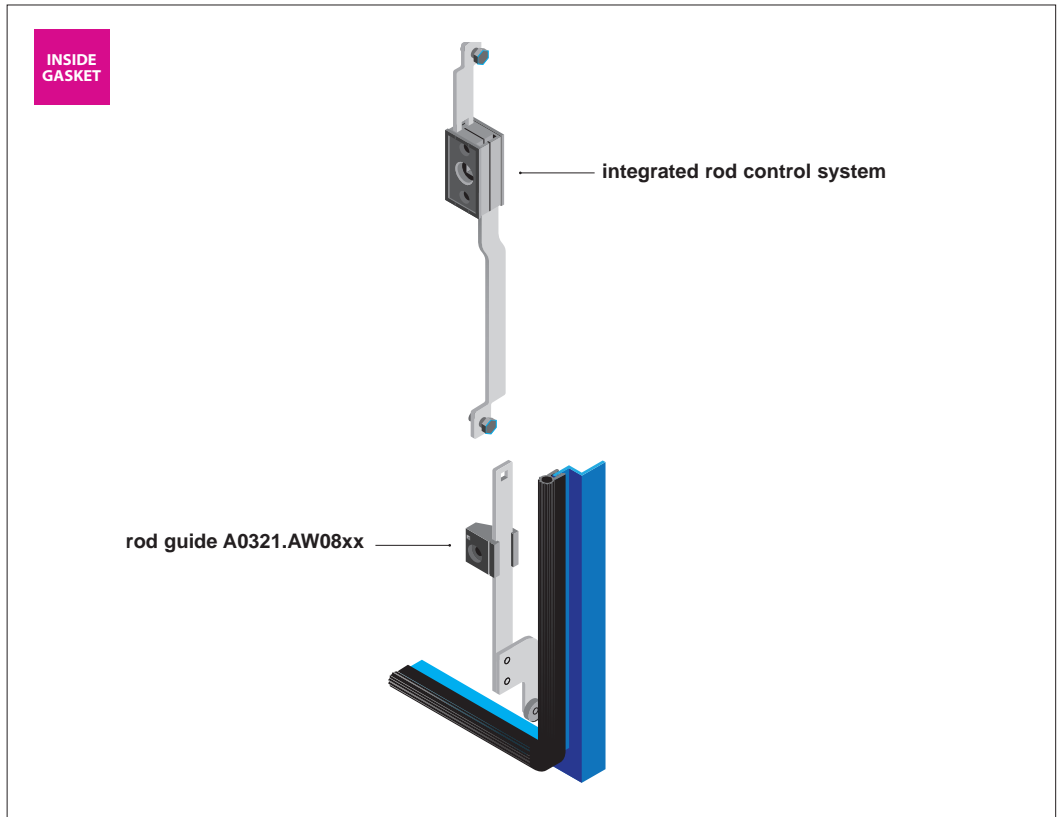
### Important Notes

Please order rods and guides separately.

Order No.	Type	Length	a	$h_1$	Weld screw
A0321.AW1118	Rod One	1000	18.5	-	-
A0321.AW1122	Rod One	1000	22.5	-	-
A0321.AW1127	Rod One	1000	27.5	-	-
A0321.AW1135	Rod One	1000	35.0	-	-
A0321.AW0800	Guide One	-	-	3.6	M 6x16
A0321.AW0820	Guide Two	-	-	3.6	M 6x16



Applications inside the gasket



CAM LATCH ACCESSORIES

Round rod and accessories compatibility

Round rod type	Rod one
<b>Part no. A0321 compatible with:</b> Two point cam (A0240) Integrated rod control systems	<b>.AW01xx</b> ✓ ✓
<b>Required accessories:</b> Rod guide A0321.AW08xx	✓

Note: Use of rod guide is essential for all applications.

Ordering example for complete rod set

To suit a single enclosure door, where h1 (height between base of rod and inside of door) = 3,6mm.  
 1 x A0321.AW0118 - flat rod (pkt of 2).  
 1 x A0321.AW0800 - rod guide (pkt of 2), h1 = 3,6mm.

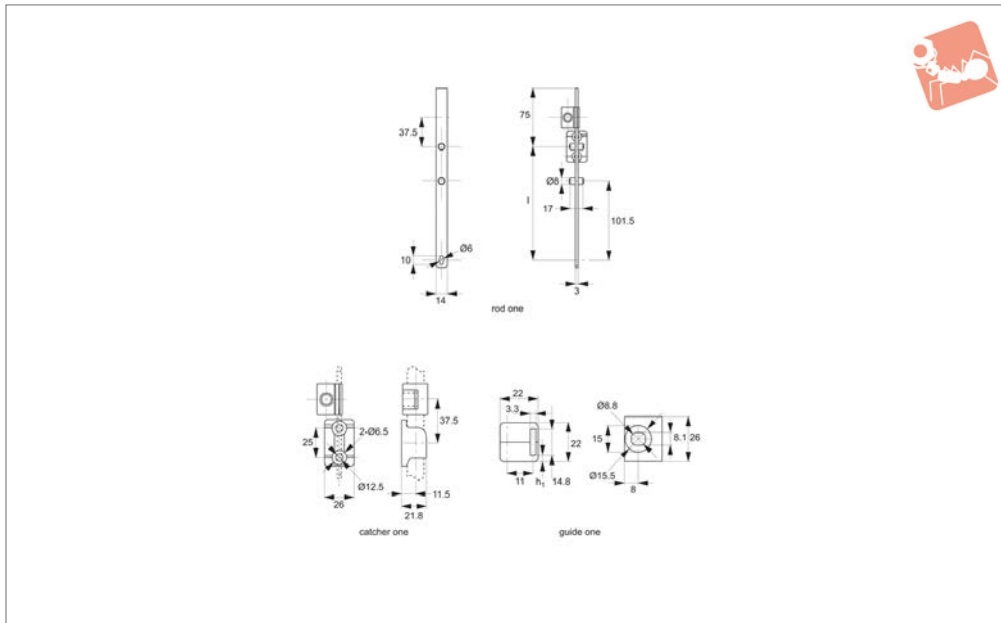




# Multi-Point Latching Set

flat rod with locking pins - for cam latches and

## Cam Latch Accessories



**A0325**

CAM LATCH ACCESSORIES

### Material

Rod: steel, zinc plated.  
 Rod Guides One: polyamide, PA6.  
 Rod Catcher: die cast zinc, black.

### Technical Notes

For use with cam latches & locks, making a

full 3-point latching system. Distance between base of rod and inside of door depends upon height of rod guide selected, see dimension  $h_1$ .

**Rod guides:** fixed via counter sunk screw or weld-on stud.

**Cams:** see two point cams A0240 to achieve 3-point locking.

### Important Notes

Please order rods, rod guides and rod catcher separately.

Order No.	Type	Length l	$h_1$
A0325.AW1070	Rod One	760	-
A0325.AW0800	Rod Guide	-	3.6
A0325.AW0900	Rod Catcher	-	-



Applications outside the gasket

OUTSIDE GASKET

① Multi-Point latching rod **A0325.AW1070**

② Flat rod guide **A0321.AW0800**

③ Rod catcher **A0325.AW0900**

CAM LATCH ACCESSORIES

Round rod and accessories compatibility

Round rod type	Part no. A0325 compatible with:	Rod one .AW01xx
Two point cam (A0240)		✓
Integrated rod control systems		✓
<b>Required accessories:</b>		
Rod guide A0325.AW0800		✓
Rod catcher A0325.AW0900		✓

**Note: Use of rod guide is essential for all applications.**

Ordering example for complete rod set

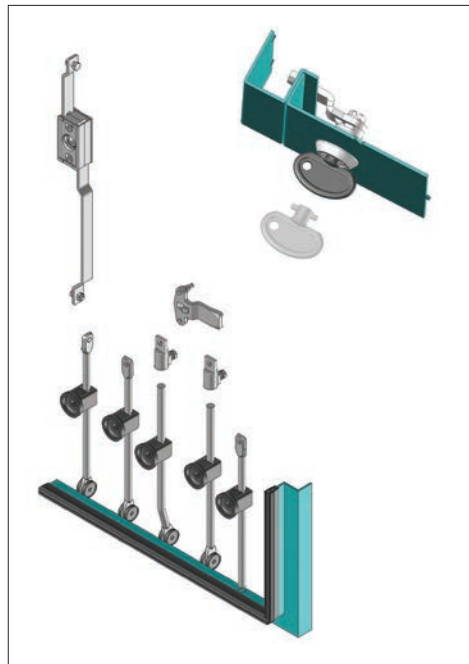
To suit a single enclosure door, where h1 (height between base of rod and inside of door) = 3,6mm.  
 1 x A0325.AW1070 - flat rod (pkt of 2).  
 1 x A0325.AW0800 - rod guide (pkt of 2), h1 = 3,6mm.  
 1 x A0325.AW0900 - rod catcher (pkt of 2).



Many industrial cabinets are made of low gauge sheet metal. These often flex under their own weight and can be forced outward due to pressure from the cabinet's internal environment (i.e. air pressure). While a gasket or seal will improve performance, all round consistent sealing is often not achieved because only a single point locking latch is used - to achieve optimum all round sealing a multi-point latching system is required.

### What is multi-point latching

For larger cabinets the use of Wixroyd rods and rod guides provide a multi-point latching system locking at two, three or more points on the cabinet - often these points are at the top, bottom and middle of the cabinet.



With each multi-point latching system there will be an actuating cam latch, lock or swing handle - attached to these, inside of the cabinet, are a cam and two latching rods.

When the latch is actuated to close, the cam engages with the door frame to provide the first point of locking, while at the same time one of the latching rods moves upwards, while the other down and engages with the top and bottom of the cabinet frame respectively, to provide the second and third points of locking.

Multi-point latching systems can be installed both inside and outside of the cabinet gasket.

Wixroyd multi-point latching systems provide flexible options for locking at several points of a cabinet; increasing security, improving environmental control within a cabinet, and greater stability of tall cabinets.

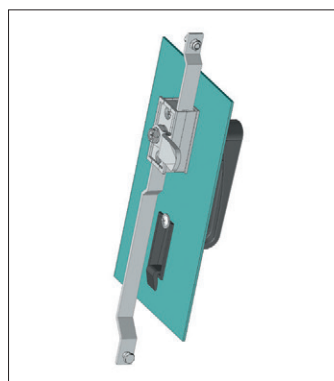
### How does multi-point latching work?



1. In conjunction with a standard cam latch, lock or swing handle, use a multi-point cam (A0240) and a latching rod set (A0303, A0321, A0325) to achieve three points of locking.



2. In conjunction with a standard cam latch, lock or swing handle, use a two point locking adaptor A0243 and a latching rod set (A0303, A0321, A0325) to achieve two points of locking.

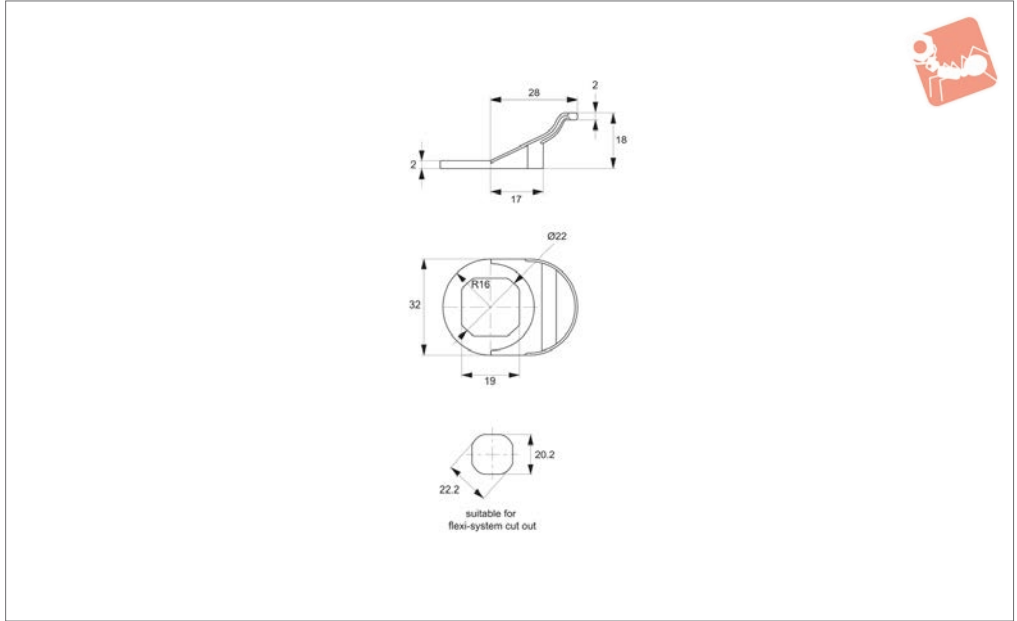


3. We have a range of swing handles and flush T-handle cam latches with integrated rod control systems. These integrated systems make attachment of latching rod sets far simpler and far more robust. Together they achieve three points of locking.

### Different approaches to multi-point latching



**A0352**



**Material**

Body: polyamide DIN-EN ISO 1043-1 PA 6 GFR 30, black.

**Technical Notes**

Suitable for all Flexi-System latches with cut-out of 22,2 dia. / 20,2 square. Please

order cam latch/lock separately, see parts A1002 to A1252.

**Tips**

**Note when finger pull used the cam latch useful body length ,lh' is reduced by 2mm. This is important in relation to**

**selection of suitable cam.**

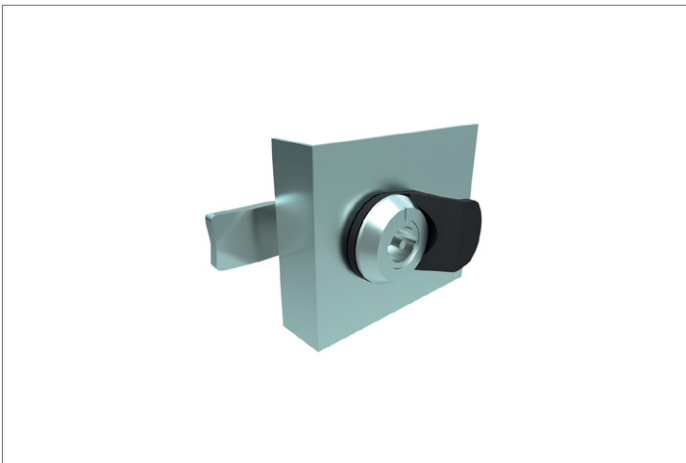
**Important Notes**

Sold subject to pack quantity.

**Order No.**

**A0352.AW0028**

To suit flexi-system fastener  
22,2 Dia Installation Cut Out

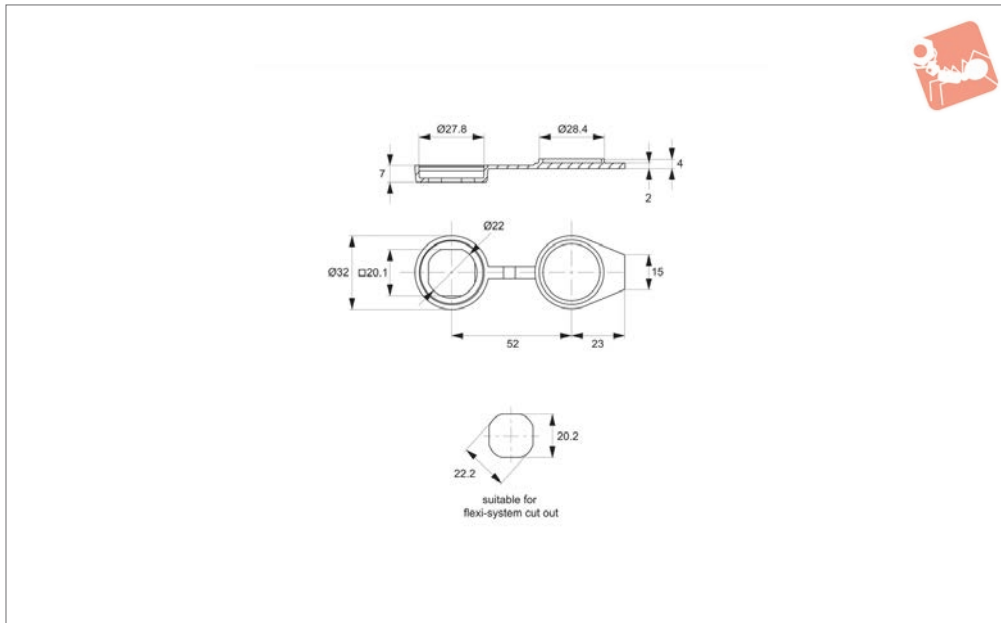




# Dust Cap

for flexi-system cam latches and locks

# Cam Latch Accessories



**A0360**

CAM LATCH ACCESSORIES

**Material**

Body: polyamide, black.

**Technical Notes**

Fits all Flexi-System cam latches & locks, and other fasteners with a standard instal-

lation cut out of 22,2 dia / 20,2 square.

**Tips**

Note when dust cap used the cam latch useful body length ,lh' is reduced by 2mm. This is important in relation to selection of

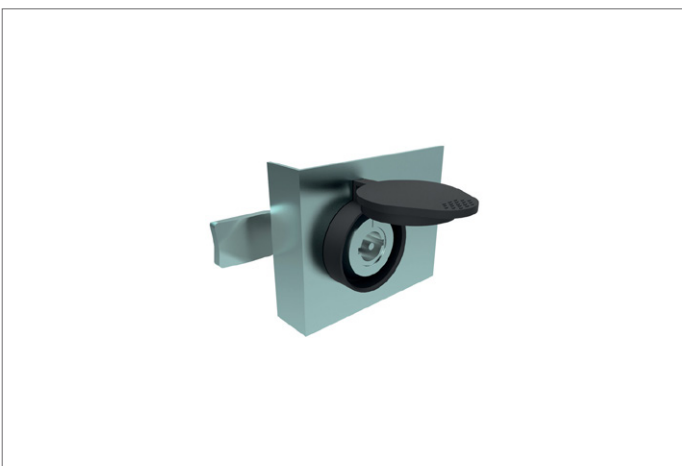
suitable cam.

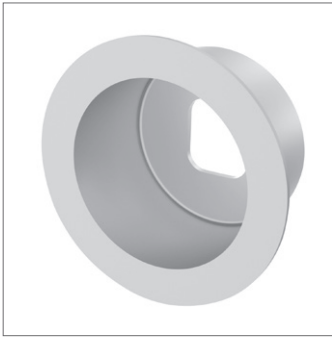
**Important Notes**

Sold subject to pack quantity.

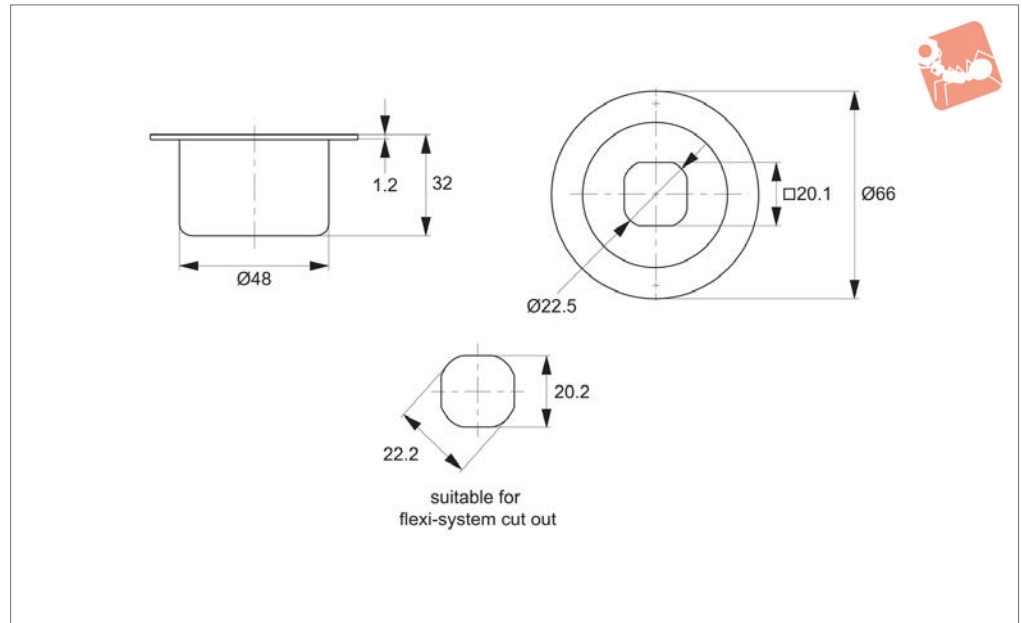
**Order No.**  
A0360.AW0010

**Type**  
Polyamide





**A0420**



**Material**

Body: steel, zinc plated.

**Technical Notes**

For use on isolation panels and other thick doors, enables near flush fitting of cam

latch or lock through recessed fixing of the cam body.

**Tips**

Suitable for all our Flexi-System cam latches and locks with a 22,2 dia. installa-

tion cut out.

Especially suited to our extended body latch no. A1250.

**Important Notes**

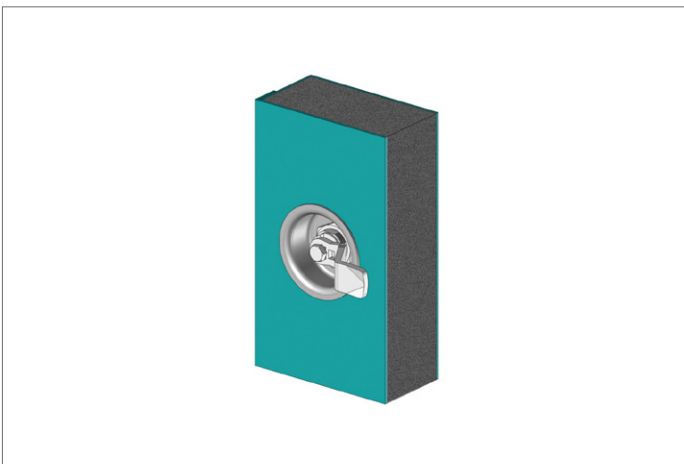
Sold subject to pack quantity.

**Order No.**

**A0420.AW0022**

To suit flexi-system latch

22,2 Dia. Installation Cut Out

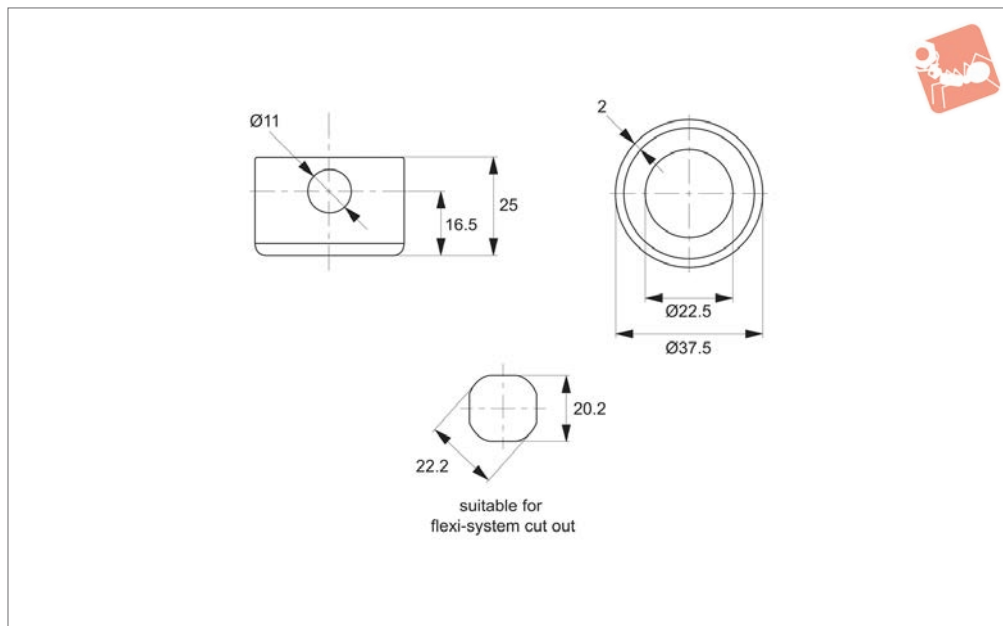




# Padlock Converter

for flexi-system cam latches and locks - stainless

## Cam Latch Accessories



**A0440**

CAM LATCH ACCESSORIES

**Material**

Steel, black coated or stainless AISI 304.

**Technical Notes**

Prevents access to the fastener. Can be locked with a suitable padlock (max shackle

dia. 11mm). Alternatively use 2 fasteners and a steel bar to prevent actuation of lock.

**Tips**

For use with flexi-system cut out. Installs

under the latch. Note when converter used the cam latch useful body length „lh“ is reduced by 2mm. This is important in relation to selection of suitable cam.

**Order No.**

A0440.AW0010  
A0440.AW0020

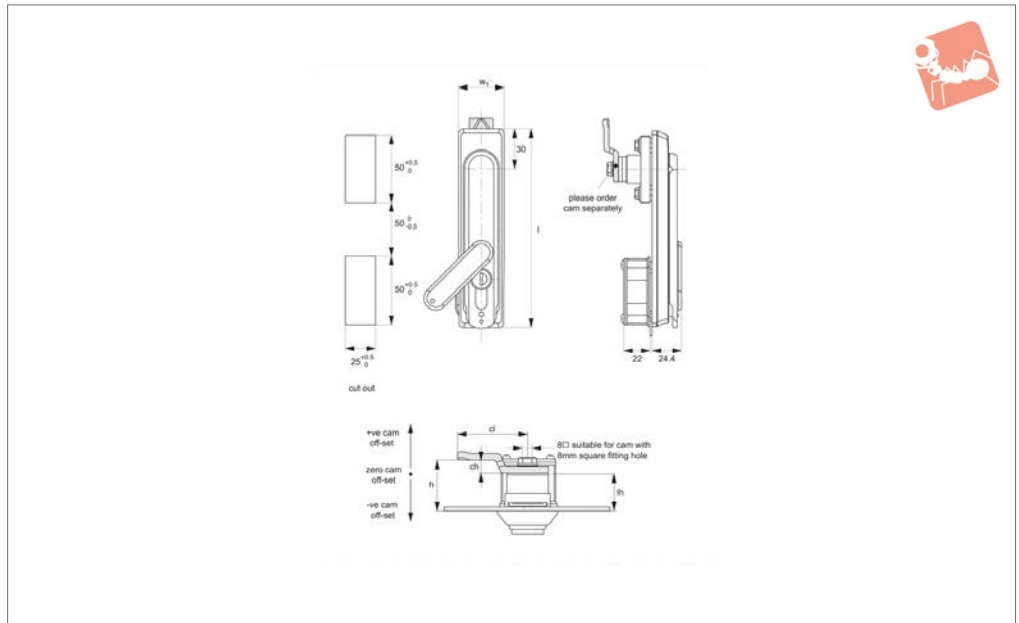
**Material**

Steel - Black Coated  
Stainless Steel





## B1082



### Material

**Type One:** Body & Handle: die cast zinc, black powder coated.

**Type Two:** Body: Polyamide PA6, black. Handle: die cast zinc, black powder coated. Cylinder lock: die cast zinc, chrome plated.

**Supplied with:** Keys: two per lock.

**Not supplied:** Cam: order separately.

### Technical Notes

Order cam separately.

**Cams:** see suitable cam A0203, A0224 and

A0240. Select „without projection“ cam type.

Dimensions ch and cl relate to cam. Use formula to calculate ch (required cam off-set), and refer to cam selection chart;

**ch = h - lh** where;

**ch** = required cam off-set/height.

**h** = grip length (distance between inside of latch face and front of cam).

**lh** = body length of cam latch/lock to be used (see product table below).

**Rods & Guides:** to achieve 3-point latching - A0303, A0321, A0325.

### Tips

90° degree handle rotation combines with rod latch to open or close. All die cast metal construction provides higher strength than standard models. Ideal for electrical cabinets, telecom racks or enclosures max. panel thickness of 1 to 4mm. For use inside of cabinet gasket. Universal left/right.

Order No.	Type	Body	Lock type	Handle	Padlockable	Key type	l <sub>1</sub>	w <sub>1</sub>	lh
B1082.AW0010	One	Zinc	40 Euro	Zinc	No	Keyed Alike	160	34	19
B1082.AW0020	One	Zinc	40 Euro	Zinc	Yes	Keyed Alike	160	34	19
B1082.AW0310	Two	Polyamide	40 Euro	Zinc	No	Keyed Alike	160	34	19
B1082.AW0320	Two	Polyamide	40 Euro	Zinc	Yes	Keyed Alike	160	34	19



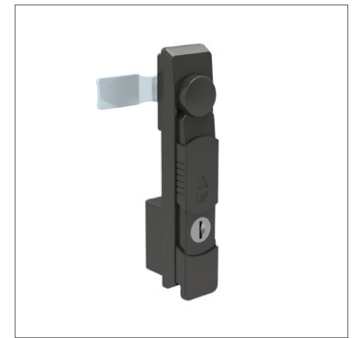
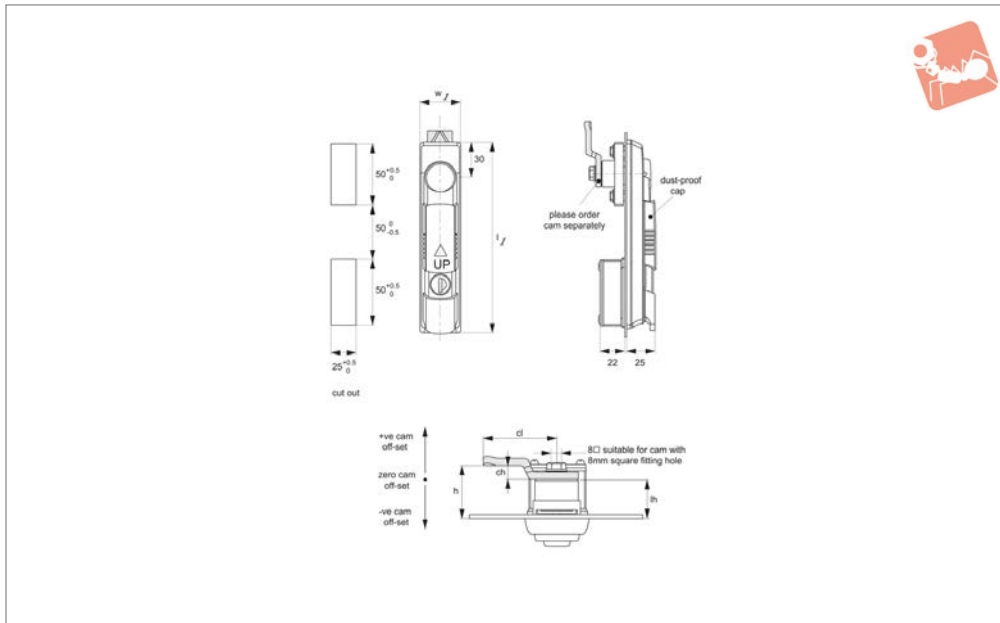




# Swing Handles - Cam Control

standard cylinder lock - dust cover

## Swing Handles



**B1086**

SWING HANDLES

### Material

**Type One:** Body & Handle: die cast zinc, black powder coated.

**Type Two:** Body: Polyamide PA6, black.  
Handle: die cast zinc, black powder coated.  
Cylinder lock: die cast zinc, chrome plated.  
Foaming seal to achieve IP54 rating.

**Supplied with:** Keys: two per lock.

**Not supplied:** Cam: order separately.

### Technical Notes

Order cam separately.

**Cams:** see suitable cam A0203, A0224 and

A0240. Select „without projection“ cam type.

Dimensions ch and cl relate to cam. Use formula to calculate ch (required cam off-set), and refer to cam selection chart;

**ch = h - lh** where;

**ch** = required cam off-set/height.

**h** = grip length (distance between inside of latch face and front of cam).

**lh** = body length of cam latch/lock to be used (see product table below).

**Rods & Guides:** to achieve 3-point latching

- A0303, A0321, A0325.

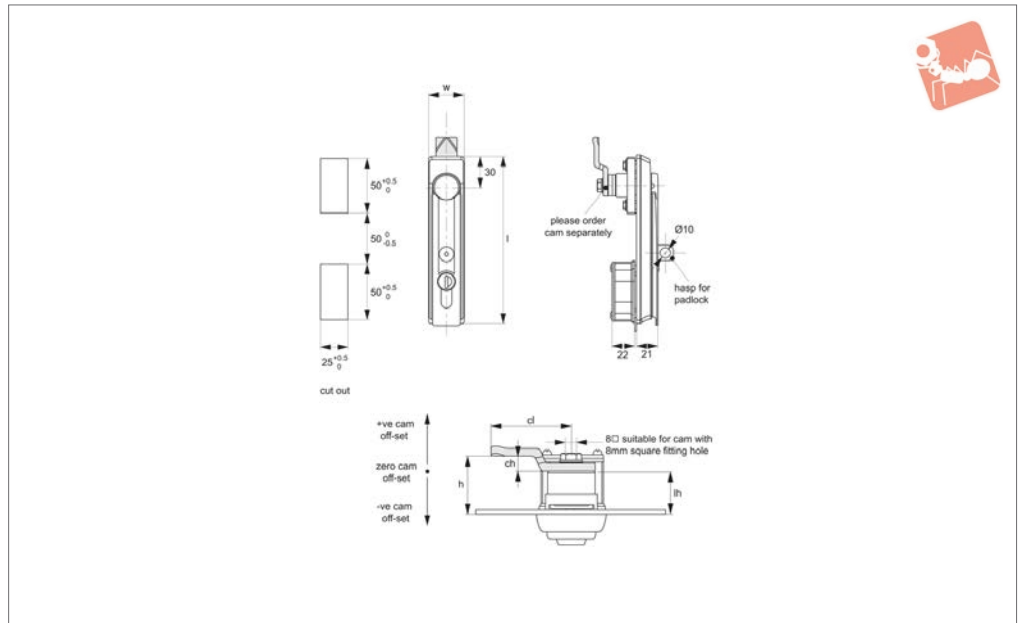
### Tips

90° degree handle rotation combines with rod latch to open or close. All die cast metal construction provides higher strength than standard models. Ideal for electrical cabinets, telecom racks or enclosures max. panel thickness of 2mm. For use inside of cabinet gasket. Universal left/right.

Order No.	Type	Body	Handle	Key type	l <sub>1</sub>	w <sub>1</sub>	lh
<b>B1086.AW0010</b>	One	Zinc	Zinc	Keyed Alike	160	34	19
<b>B1086.AW0310</b>	Two	Polyamide	Zinc	Keyed Alike	160	34	19



## B1088



### Material

**Type One:** Body & Handle: die cast zinc, black powder coated.

**Type Two:** Body: Polyamide PA6, black. Handle: die cast zinc, black powder coated. Cylinder lock: die cast zinc, chrome plated.

**Supplied with:** Keys: two per lock.

**Not supplied:** Cam: order separately.

### Technical Notes

Order cam separately.

**Cams:** see suitable cam A0203, A0224 and

A0240. Select „without projection“ cam type.

Dimensions  $ch$  and  $cl$  relate to cam. Use formula to calculate  $ch$  (required cam off-set), and refer to cam selection chart;

$ch = h - lh$  where;

$ch$  = required cam off-set/height.

$h$  = grip length (distance between inside of latch face and front of cam).

$lh$  = body length of cam latch/lock to be used (see product table below).

**Rods & Guides:** to achieve 3-point latching - A0303, A0321, A0325.

### Tips

90 degree handle rotation combines with rod latch to open or close. All die cast metal construction provides higher strength than standard models. Ideal for electrical cabinets, telecom racks or enclosures max. panel thickness of 1 to 4mm. For use inside of cabinet gasket. Universal left/right.

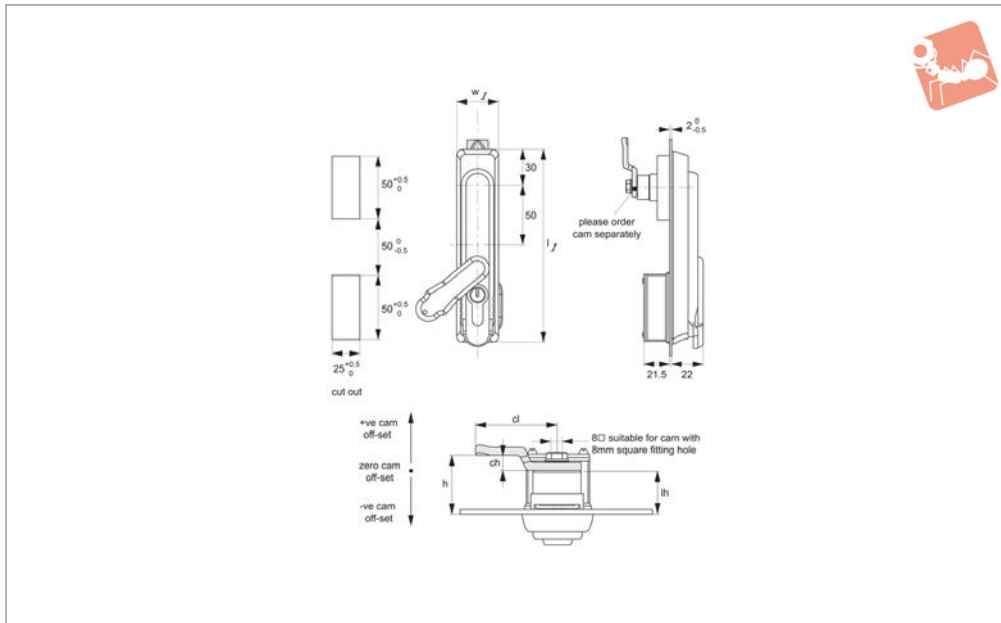
Order No.	Type	Body	Lock type	Handle	Padlockable	Key type	l	w	lh
B1088.AW0010	One	Zinc	40 Euro	Zinc	No	Keyed Alike	160	34	19
B1088.AW0310	Two	Polyamide	40 Euro	Zinc	No	Keyed Alike	160	34	19
B1088.AW0020	One	Zinc	40 Euro	Zinc	Yes	Keyed Alike	160	34	19
B1088.AW0320	Two	Polyamide	40 Euro	Zinc	Yes	Keyed Alike	160	34	19



# Swing Handles - Cam Control

40mm euro cylinder lock - dust cover - polyamide

## Swing Handles



**B1091**

SWING HANDLES

### Material

Body & Handle: polyamide, PA6, black.  
 Cylinder lock: die cast zinc, chrome plated.  
**Supplied with:** Keys: two per lock.  
**Not supplied:** Cam: order separately.  
**Supplied with:** Keys: two per lock.  
**Not supplied:** Cam: order separately.

### Technical Notes

Order cam separately.  
**Cams:** see suitable cam A0203, A0224 and

A0240. Select „without projection“ cam type.  
 Dimensions ch and cl relate to cam. Use formula to calculate ch (required cam off-set), and refer to cam selection chart;  
 $ch = h - lh$  where;  
 $ch$  = required cam off-set/height.  
 $h$  = grip length (distance between inside of latch face and front of cam).  
 $lh$  = body length of cam latch/lock to be

used (see product table below).  
**Rods & Guides:** to achieve 3-point latching - A0303, A0321, A0325.

### Tips

Also available with radial pin lock, subject to min. order quantity.  
 Ideal for electrical cabinets, telecom racks or enclosures max. panel thickness of 2mm. For use inside of cabinet gasket. Universal left/right.

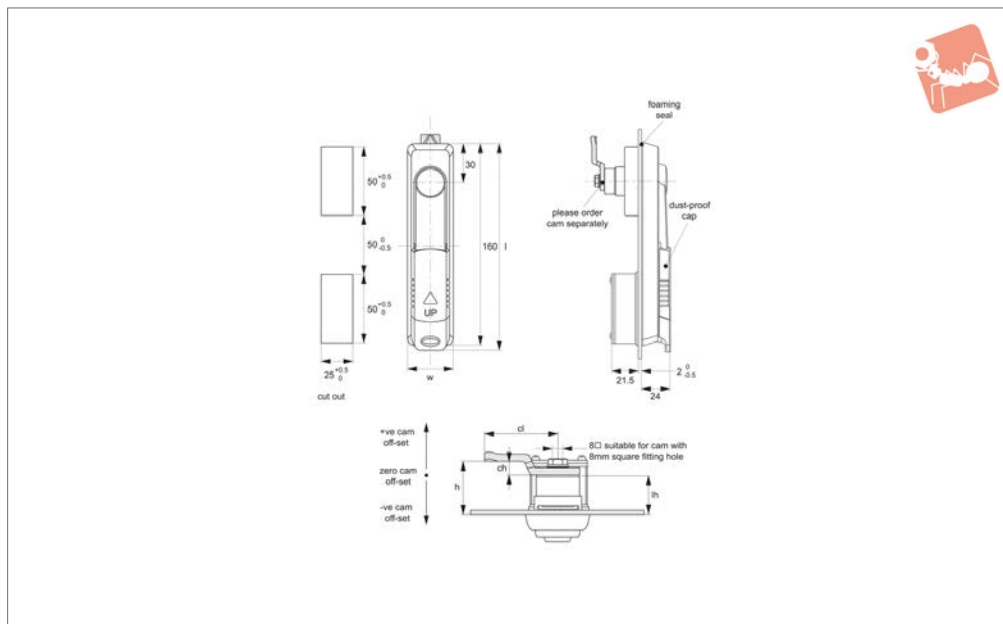
Order No.	Finish	Lock type	Key type	$l_1$	$w_1$	lh
B1091.AW0020	Black, Plastic	40 Euro	Keyed Alike	160	35	16



SWING HANDLES



## B1092



### Material

Body & Handle: polyamide, PA6, black.  
Cylinder lock: die cast zinc, chrome plated.

**Supplied with:** Keys: two per lock.

**Not supplied:** Cam: order separately.

### Technical Notes

Order cam separately.

**Cams:** see suitable cam A0203, A0224 and A0240. Select „without projection“ cam

type.

Dimensions ch and cl relate to cam. Use formula to calculate ch (required cam off-set), and refer to cam selection chart;

**ch = h - lh** where;

**ch** = required cam off-set/height.

**h** = grip length (distance between inside of latch face and front of cam).

**lh** = body length of cam latch/lock to be

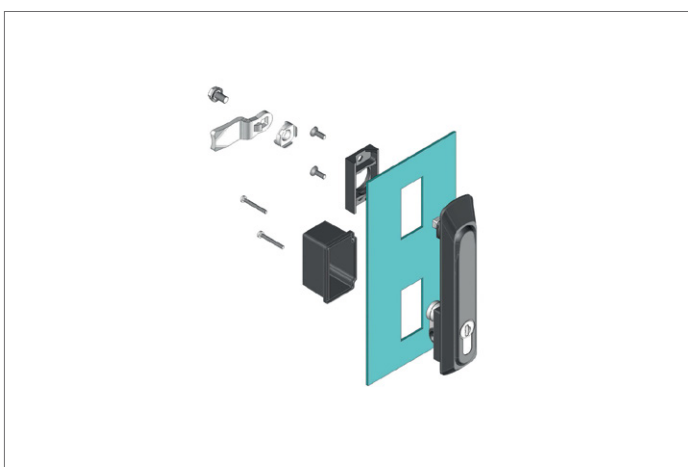
used (see product table below).

**Rods & Guides:** to achieve 3-point latching - A0303, A0321, A0325.

### Tips

Ideal for electrical cabinets, telecom racks or enclosures max. panel thickness of 2mm. For use inside of cabinet gasket. Universal left/right.

Order No.	Finish	Lock type	Key type	l	w	lh
<b>B1092.AW0010</b>	Black, Plastic	40 Euro	Keyed Alike	165	35	16

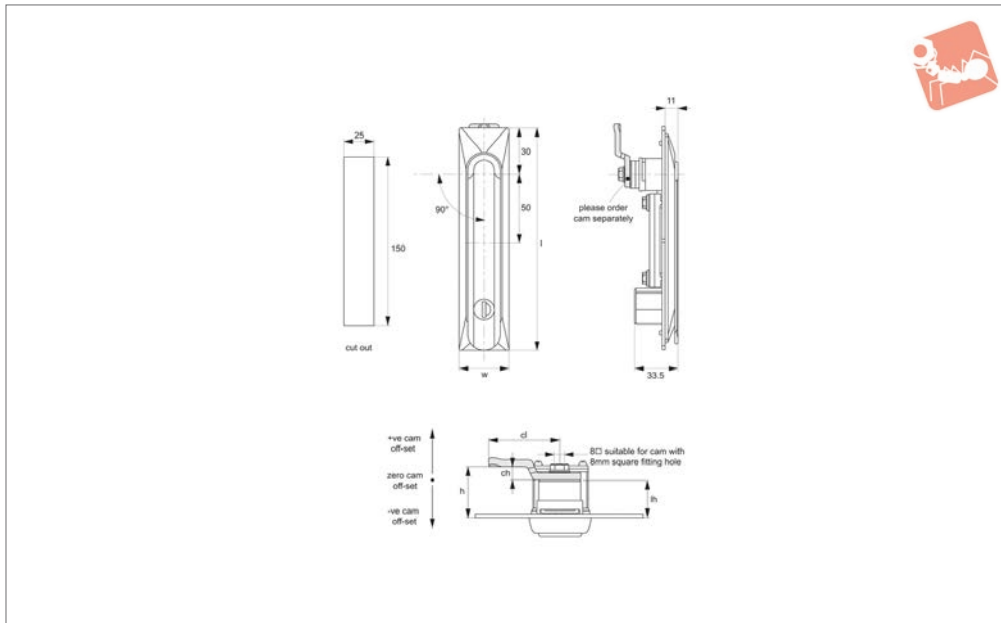




# Swing Handles - Cam Control

standard cylinder lock - zinc

## Swing Handles



**B1180**

SWING HANDLES

### Material

Body & Handle: die cast zinc, pocked black power coated.

Polyurethane gasket: to achieve IP65 rating.

Cylinder lock: die cast zinc, chrome plated.

**Supplied with:** Keys: two per lock.

**Not supplied:** Cam: order separately.

### Technical Notes

Order cam separately.

**Cams:** see suitable cam A0203, A0224 and A0240. Select „without projection“ cam type.

Dimensions ch and cl relate to cam. Use formula to calculate ch (required cam off-set), and refer to cam selection chart;

**ch = h - lh** where;

**ch** = required cam off-set/height.

**h** = grip length (distance between inside of latch face and front of cam).

**lh** = body length of cam latch/lock to be used (see product table below).

**Rods & Guides:** to achieve 3-point latching - A0303, A0321, A0325.

Order No.	Finish	Lock type	Key type	l	w	lh
<b>B1180.AW0010</b>	Black Coated	Std. Cylinder	Keyed Alike	160	36	20



cut out	Cylinder Profile		Body		IP Rating	Locking System			Use		Cam Type	
	Std. Cylinder Lock	40mm Euro Padlockable Insert Driver	Die-Cast Zinc	Polyamide Plastic		Stainless Steel	Aluminium	1-point	2-point	3-point		Inside Gasketing
	✓		✓			54	✓	✓	✓	✓		✓
<b>B1180 - Swing Handle</b>												
	Cams: A0203, A0224, A0240 - Keys: Supplied											

cut out	Cylinder Profile		Body		IP Rating	Locking System			Use		Cam Type	
	Std. Cylinder Lock	40mm Euro Padlockable Insert Driver	Die-Cast Zinc	Polyamide Plastic		Stainless Steel	Aluminium	1-point	2-point	3-point		Inside Gasketing
	✓		✓				✓			✓		✓
<b>B4590 - Cam Latch - Flush T-handle - Heavy Duty</b>												
	Cams: Supplied - Keys: Supplied											

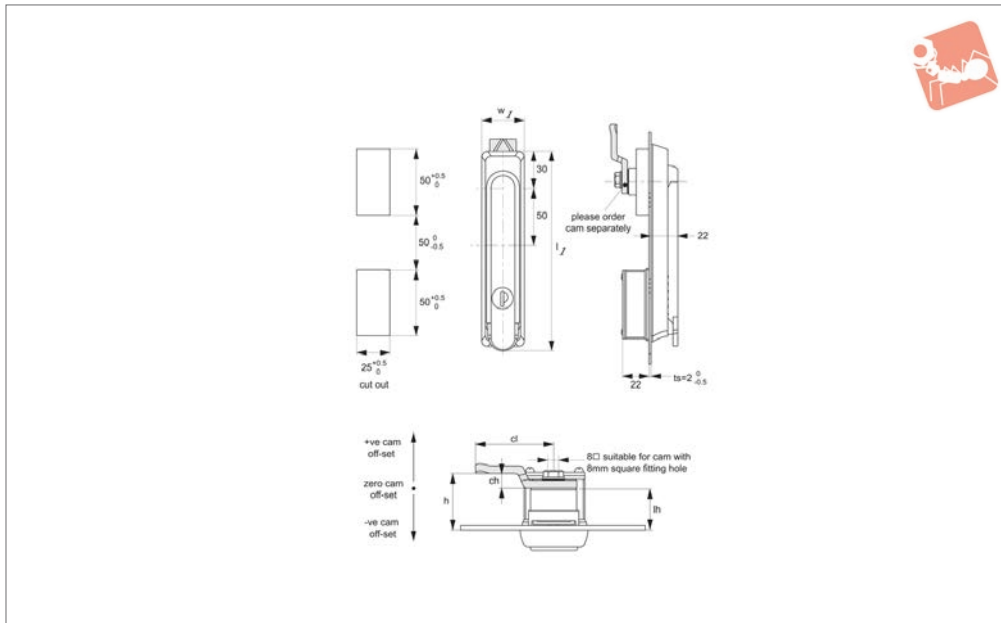
cut out	Cylinder Profile		Body		IP Rating	Locking System			Use		Cam Type	
	Std. Cylinder Lock	40mm Euro Padlockable Insert Driver	Die-Cast Zinc	Polyamide Plastic		Stainless Steel	Aluminium	1-point	2-point	3-point		Inside Gasketing
	✓		✓					✓	✓		✓	
<b>B4584 - Cam Latch - Flush T-handle, Vertical - Heavy Duty</b>												
	Cams: Supplied - Keys: Supplied											
	✓		✓				✓		✓		✓	
<b>B4586 - Cam Latch - Flush T-handle, Vertical - Heavy Duty</b>												
	✓		✓				✓		✓		✓	
<b>B4588 - Cam Latch - Flush T-handle, Vertical - Heavy Duty</b>												
	Cams: Supplied - Keys: Supplied											



# Swing Handles - Cam Control

standard cylinder - polyamide

## Swing Handles



**B1281**

SWING HANDLES

### Material

Body & Handle: polyamide PA6, black.  
Cylinder lock: die cast zinc, chrome plated.  
**Supplied with:** Keys: two per lock.  
**Not supplied:** Cam: order separately.

### Technical Notes

Order cam separately.  
**Cams:** see suitable cam A0203, A0224 and A0240. Select „without projection“ cam

type.  
Dimensions ch and cl relate to cam. Use formula to calculate ch (required cam off-set), and refer to cam selection chart;  
**ch = h - lh** where;  
**ch** = required cam off-set/height.  
**h** = grip length (distance between inside of latch face and front of cam).  
**lh** = body length of cam latch/lock to be

used (see product table below).  
**Rods & Guides:** to achieve 3-point latching - A0303, A0321, A0325.

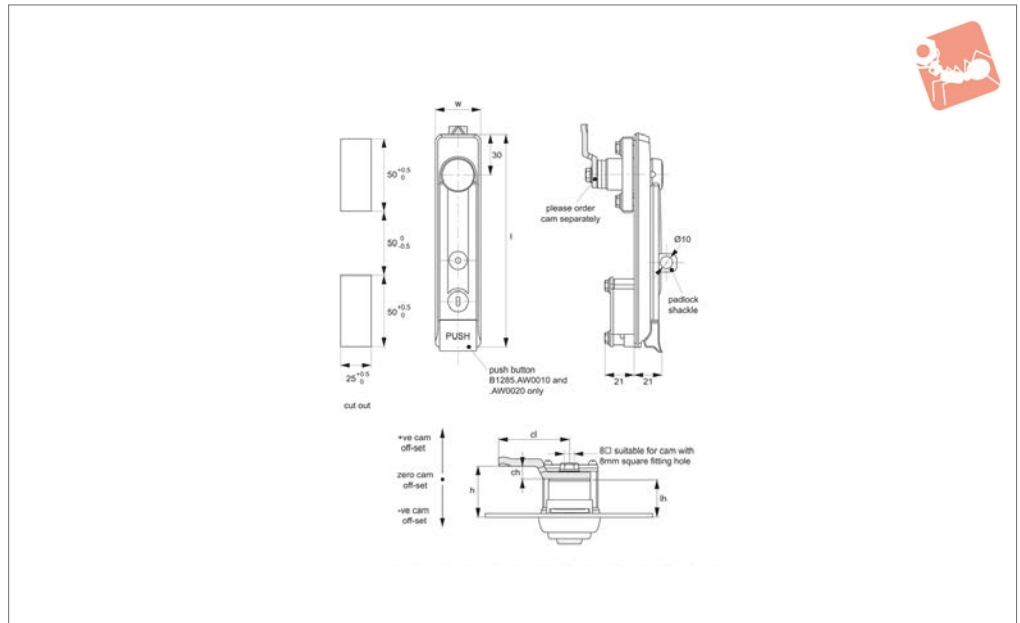
### Tips

For use in electrical cabinets, telecom racks or enclosures. Max. panel thickness of 2mm. For use inside of cabinet gasket. Universal left/right.

Order No.	Finish	Lock type	Key type	l <sub>1</sub>	w <sub>1</sub>	lh
<b>B1281.AW0010</b>	Black, Plastic	Std. Cylinder	Keyed Alike	160	35	16



## B1285



### Material

Body & Handle: die cast zinc, black powder coated.

Cylinder lock: die cast zinc, chrome plated.

**Supplied with:** Keys: two per lock.

**Not supplied:** Cam: please order separately.

### Technical Notes

Order cam separately.

**Cams:** see suitable cam A0203, A0224 and A0240. Select „without projection“ cam type.

Dimensions  $ch$  and  $cl$  relate to cam. Use formula to calculate  $ch$  (required cam off-set), and refer to cam selection chart;

$ch = h - lh$  where;

$ch$  = required cam off-set/height.

$h$  = grip length (distance between inside of

latch face and front of cam).

$lh$  = body length of cam latch/lock to be used (see product table below).

**Rods & Guides:** to achieve 3-point latching - A0303, A0321, A0325.

Order No.	Type	Lock type	Padlockable	Key type	l	w	lh
B1285.AW0010	With Button	Std. Cylinder	No	Keyed Alike	158	34	19
B1285.AW0020	With Button	Std. Cylinder	Yes	Keyed Alike	158	34	19
B1285.AW0030	W/o Button	Std. Cylinder	No	Keyed Alike	158	34	19
B1285.AW0040	W/o Button	Std. Cylinder	Yes	Keyed Alike	158	34	19

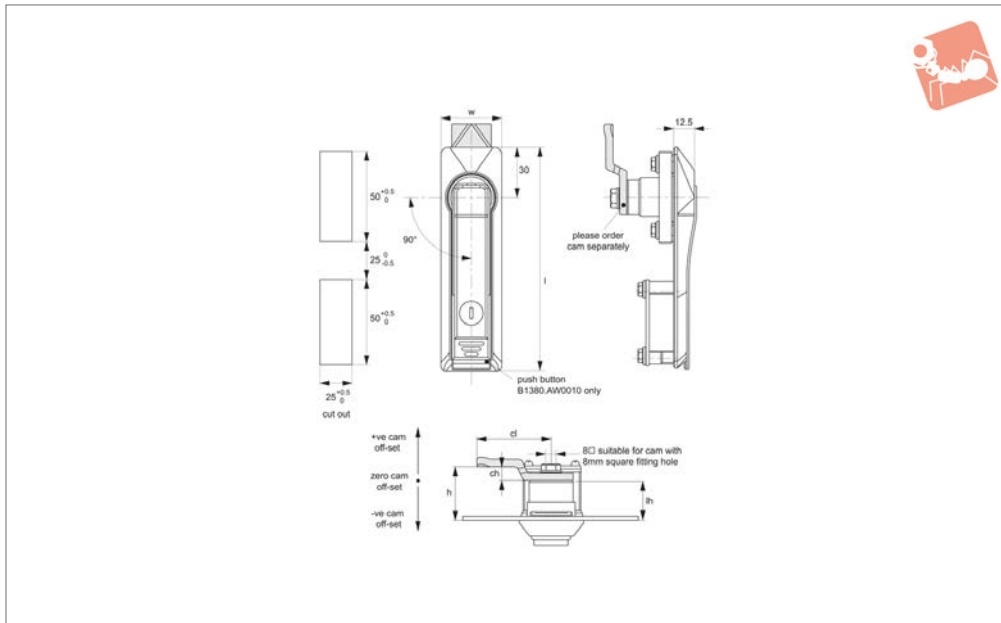




# Swing Handles - Cam Control - Short

standard cylinder - push button - zinc

# Swing Handles



## B1380

SWING HANDLES

### Material

Body & Handle: die cast zinc, black painted.  
 Cylinder lock: die cast zinc, chrome plated.  
**Supplied with:** Key: two per lock.  
**Not supplied:** Cam: please order separately.

### Technical Notes

Order cam separately.

**Cams:** see suitable cam A0203, A0224 and A0240. Select „without projection“ cam type.  
 Dimensions ch and cl relate to cam. Use formula to calculate ch (required cam off-set), and refer to cam selection chart;  
**ch = h - lh** where;  
**ch** = required cam off-set/height.  
**h** = grip length (distance between inside of

latch face and front of cam).  
**lh** = body length of cam latch/lock to be used (see product table below).  
**Rods & Guides:** to achieve 3-point latching - A0303, A0321, A0325.

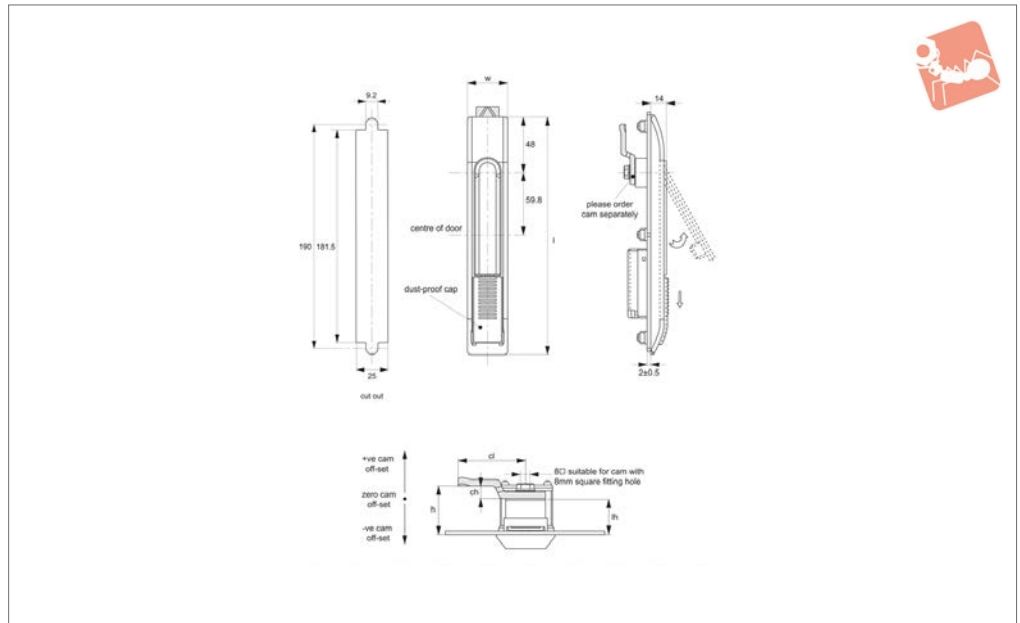
Order No.	Type	Lock type	Key type	l	w	lh
B1380.AW0010	With Button	Std. Cylinder	Keyed Alike	133	36	19
B1380.AW0020	W/o Button	Std. Cylinder	Keyed Alike	133	36	19



SWING HANDLES



## B1450



### Material

Body & Handle: die cast zinc, black powder coated.

Cylinder lock: die cast zinc, chrome plated.

**Supplied with:** Keys: two per lock.

**Not supplied:** Cam: order separately.

### Technical Notes

Order cam separately.

**Cams:** see suitable cam A0203, A0224 and A0240. Select „without projection“ cam type.

Dimensions ch and cl relate to cam. Use formula to calculate ch (required cam off-set), and refer to cam selection chart;

**ch = h - lh** where;

**ch** = required cam off-set/height.

**h** = grip length (distance between inside of latch face and front of cam).

**lh** = body length of cam latch/lock to be used (see product table below).

**Rods & Guides:** to achieve 3-point latching - A0303, A0321, A0325.

Order No.	Finish	Lock type	Key type	l	w	lh
B1450.AW0010	Black Coated	40 Euro	Keyed Alike	215.5	36	20



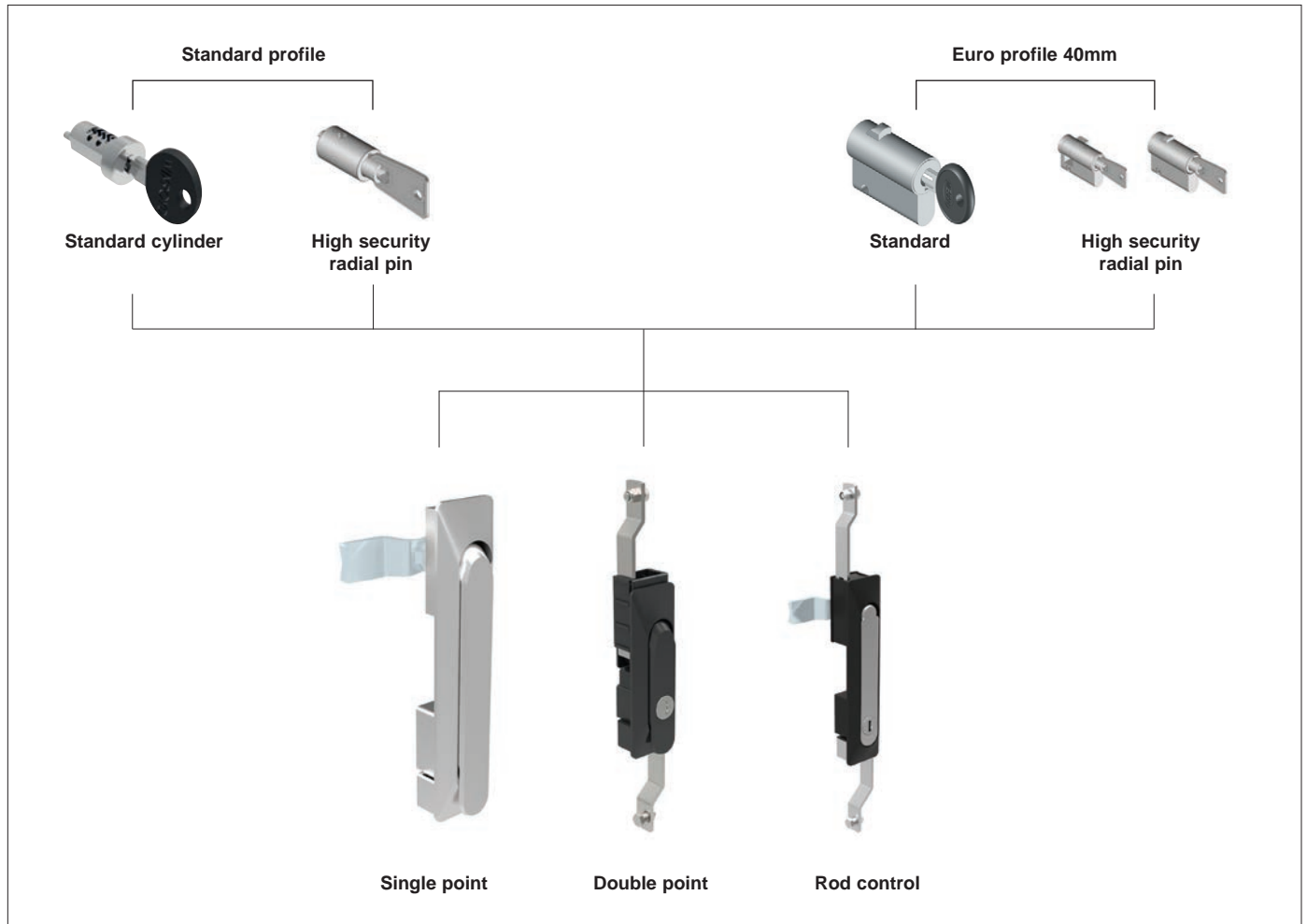
# Swing Handles

a complete multi-point latching system

## Swing Handles & Paddle Latches

Wixroyd swing handles are a complete multi-point latching system with an ergonomic and stylish design, making them ideal for securing enclosures in applications as varied as telecoms, IT, electrical cabinets, special purpose machines, vending and gaming machines.

### Swing handles



SWING HANDLES

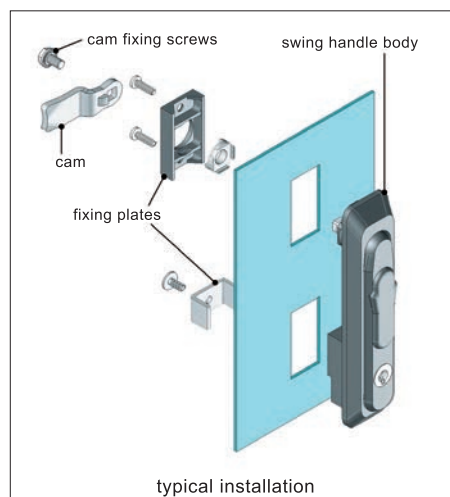
Easy Action - Upon unlocking, the handle lever springs forward and can be turned 90° to unfasten the cam and open the panel.

With many models supplied with easy to use mounting brackets, Wixroyd swing handles can be installed with minimum fuss.

Follow these guides:

1. Prior to commencing ensure the swing handle body, mounting bracket plate and cam are unassembled. Due to their unique integral foam gasket Wixroyd swing handle latches do not require a separate gasket.
2. Present handle body to the installation cut out in the panel.
3. Position mounting bracket, and attach with the screws supplied.
4. Attach cam to swing handle body, ensuring its correct orientation to the panel frame.

### Installation





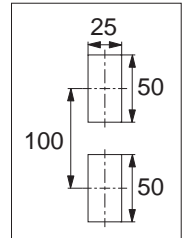
When selecting a Wixroyd Swing Handle for your application, you need to answer these questions:

1. Which installation cut out?
2. How many latching points are required?
3. Variety of material?
4. Gasketing and sealing?
5. Which locking and activation method?
6. Which accessories?
7. Which cam type and size?

## Step 1: Which installation cut out?

Wixroyd Swing Handles are available in one of seven different cut out sizes, please refer to individual product details for availability.

If your application has a pre-existing cut out, then you need to select a replacement swing handle with a matching installation cut out.



## Step 2: How many latching points?

### 1, 2, 3 or more

Wixroyd Swing Handles provide a completely flexible multi-point latching system, for either one, two, three or more points of securing a cabinet or enclosure, when used in conjunction with our latching rod sets A0303 to A0325.

- Single point latching – Standard swing handle and single point cam.
- Double point latching – Swing handle with rod control mechanism (no cam).
- Three point or more latching – Swing handle with rod control mechanism and multi-point cam.



Single point Latching



Double point latching



Three point or more latching

## Step 3: Variety of materials



Plastic PA6



Die-cast zinc

## Step 4: Gasketing and sealing



### Inside or outside the gasket

It is also important to consider whether the swing handle will be mounted inside or outside of the gasket. Refer to individual products for suitability.

### Application sealing protection

The unique design feature of a foam gasket incorporated into the housing of most of our swing handle latches, provides additional sealing in the application and contributes toward the IP65 (NEMA) rating of our swing handle latches.



### Step 5: Which locking and actuation method?

We offer a range of locking solutions with differing levels of security and anti-vandalism. Please refer to individual product table for availability.

The all brass construction and anti-drill centre of our high security radial pin locks provide excellent resistance to lock picking and vandalism.

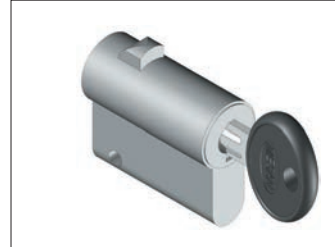
With hundreds of thousands of possible key combinations the problem associated with duplicate keys is virtually eliminated.



Standard cylinder



High security radial pin



40mm Euro lock

### Padlock hasps

On selected swing handle models we are able to offer the following additional features (please refer to individual product tables for availability).

### Gasketing

Wixroyd have a wide range of gaskets which can be used on enclosures, machine panels, doors etc. Refer to our products Z0550 through Z1002.

### Multi-point latching

Use parts A0303 to A0325 for suitable rod latching sets and rod guides.



Lock cover



Padlock hasp



Lock cover plus  
padlock hasp



A0325



Gaskets

### Step 6: Which accessories?

SWING HANDLES

ov-WB1082-A-TPL0100-WB2450-A-T-selecting-the-correct-swing-handle-b-rnh- Updated -25-10-2022

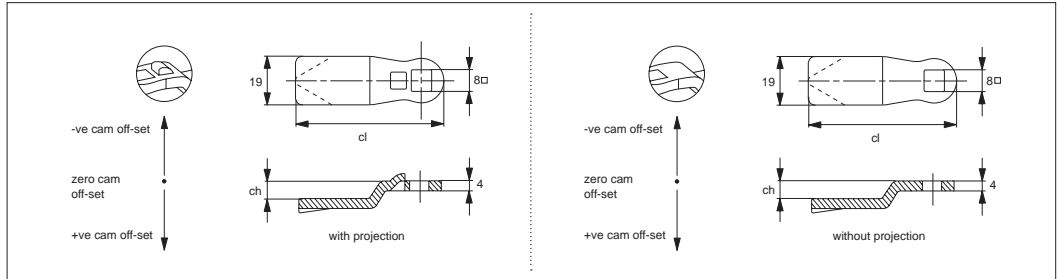


## Step 7: Which cam type and size?

Wixroyd cams are available in a number of different materials; zinc plated steel, stainless steel (AISI 304) and black plastic.

### With or without "Projection"

Different swing handles require cams either with or without projection.



With projection cams prevent turning of the cam over 45°, but is not suited to all swing handles. For correct projection type please see individual swing handle technical pages.

## Calculation of correct cam off-set

This is the most important aspect of the selection process.

### Cam off-set (dimension ch)

To ensure your cam fully and correctly engages with the frame of your door the correct cam off-set must be selected. A cam off-set can be either negative (-ve) or positive (+ve).

### Cam length (dimension cl)

This impacts the reach of the cam to door frame and hence impacts positioning of swing handle for installation. Cam length is measured from the centre of the cam fixing hole to the cam's leading edge.

Most typically cams are 45 mm in length.

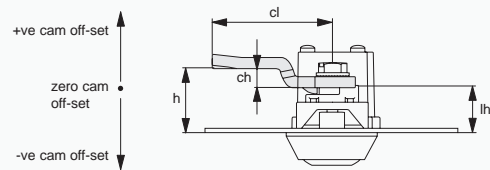
Use formula to calculate ch (required cam off-set), and refer to the cam selection chart.

$$ch = h - lh \text{ where;}$$

ch = the required cam off-set/height

h = grip length (distance between inside of latch face and front of cam).

lh = body length of swing handle to be used (see example below)



## Example of calculation of correct cam off-set

### Example one

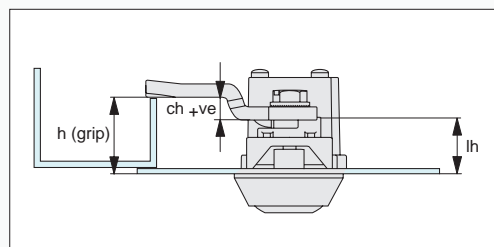
Cam body B1082.AW0010 has been selected for the application. If we refer to the data sheet for this part, suitable cams are parts A0203, A0210 or A0240 - "without projection".

Known application information:  $h = 26$ ,  $lh = 18$

Therefore;  $ch = 26 - 18 = +8$

Cam off set of +8 is required

Using the data tables for cams A0203, A0210 and A0240 we can select the following cams without projection with an off set of +8; A0203.AW5408 (steel), A0210.AW0428 (stainless) or A0240.AW1408 (three point cam).



### Example two

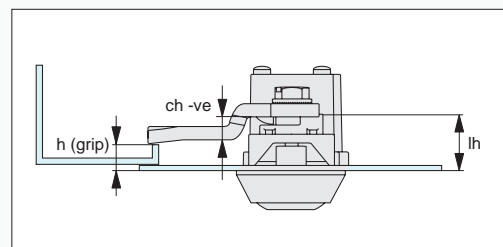
Cam body B1082.AW0010 has been selected for the application. If we refer to the data sheet for this part, suitable cams are parts A0203, A0210 or A0240 - "without projection".

Known application information:  $h = 14$ ,  $lh = 18$ .

Therefore;  $ch = 14 - 18 = -4$

The required cam off set is negative, -4 as the application's door frame is effectively shorter/lower than the length of the cam body

Using the data tables for cams A0203, A0210 and A0240 we can select the following cam without projection with an off set of - 4; A0203.AW6404 (steel).





# Wixroyd Swing Handles

product selection charts

# Swing Handles & Paddle Latches









	Cylinder Profile	Body	IP Rating	Locking System	Use	Cam Type
	Std. Cylinder Lock 40mm Euro Padlockable Insert Driver	Die-Cast Zinc Polyamide Plastic Stainless Steel Steel Aluminium				
<b>B1082 - Swing Handle - Padlockable</b>	✓	✓	65	✓	✓	✓
Cams: A0203, A0224, A0240 - Keys: Supplied						
<b>B1086 - Swing Handle - Dust Proof Cover</b>	✓	✓	65	✓	✓	✓
Cams: A0203, A0224, A0240 - Keys: Supplied						
<b>B1088 - Swing Handle - Padlockable</b>	✓	✓	65	✓	✓	✓
Cams: A0203, A0224, A0240 - Keys: Supplied						
<b>B1091 - Swing Handle - Dust Cover</b>	✓	✓	65	✓	✓	✓
Cams: A0203, A0224, A0240 - Keys: Supplied						
<b>B1092 - Swing Handle - Dust Proof Cover</b>	✓	✓	65	✓	✓	✓
Cams: A0203, A0224, A0240 - Keys: Supplied						
<b>B1281 - Swing Handle - Short</b>	✓	✓	54	✓	✓	✓
Cams: A0203, A0224, A0240 - Keys: Supplied						
<b>B1285 - Swing Handle - Padlockable</b>	✓	✓	54	✓	✓	✓
Cams: A0203, A0224, A0240 - Keys: Supplied						
<b>B1380 - Swing Handle - Short Version</b>	✓	✓	54	✓	✓	✓
Cams: A0203, A0224, A0240 - Keys: Supplied						





	Cylinder Profile	Body	IP Rating	Locking System	Use	Cam Type
	Std. Cylinder Lock 40mm Euro Padlockable Insert Driver	Die-Cast Zinc Polyamide Plastic Stainless Steel Steel Aluminium				
<b>B2082 - Swing Handle - With Rod Control - Dust Proof Cover</b>	✓	✓	54	✓	✓	✓
Cams: A0215 - Keys: Supplied						
<b>B2084 - Swing Handle - With Rod Control - Magnetic Key</b>	✓	✓	54	✓	✓	✓
Cams: A0215 - Keys: Supplied						
<b>B2086 - Swing Handle - With Rod Control - Dust Proof Cover</b>	✓	✓	54	✓	✓	✓
Cams: A0215 - Keys: Supplied						
<b>B2088 - Swing Handle - With Rod Control - Padlockable</b>	✓	✓	65	✓	✓	✓
Cams: A0215 - Keys: Supplied						
<b>B2091 - Swing Handle - With Rod Control - Dust Proof Cover</b>	✓	✓	65	✓	✓	✓
Cams: A0215 - Keys: Supplied						
<b>B2181 - Swing Handle - With Rod Control</b>	✓	✓	54	✓	✓	✓
Cams: A0215 - Keys: Supplied						
<b>B2285 - Swing Handle - With Rod Control</b>	✓	✓	65	✓	✓	✓
Cams: A0215 - Keys: Supplied						
<b>B2380 - Swing Handle - with Rod Control</b>	✓	✓	54	✓	✓	✓
Cams: A0215 - Keys: Supplied						

SWING HANDLES

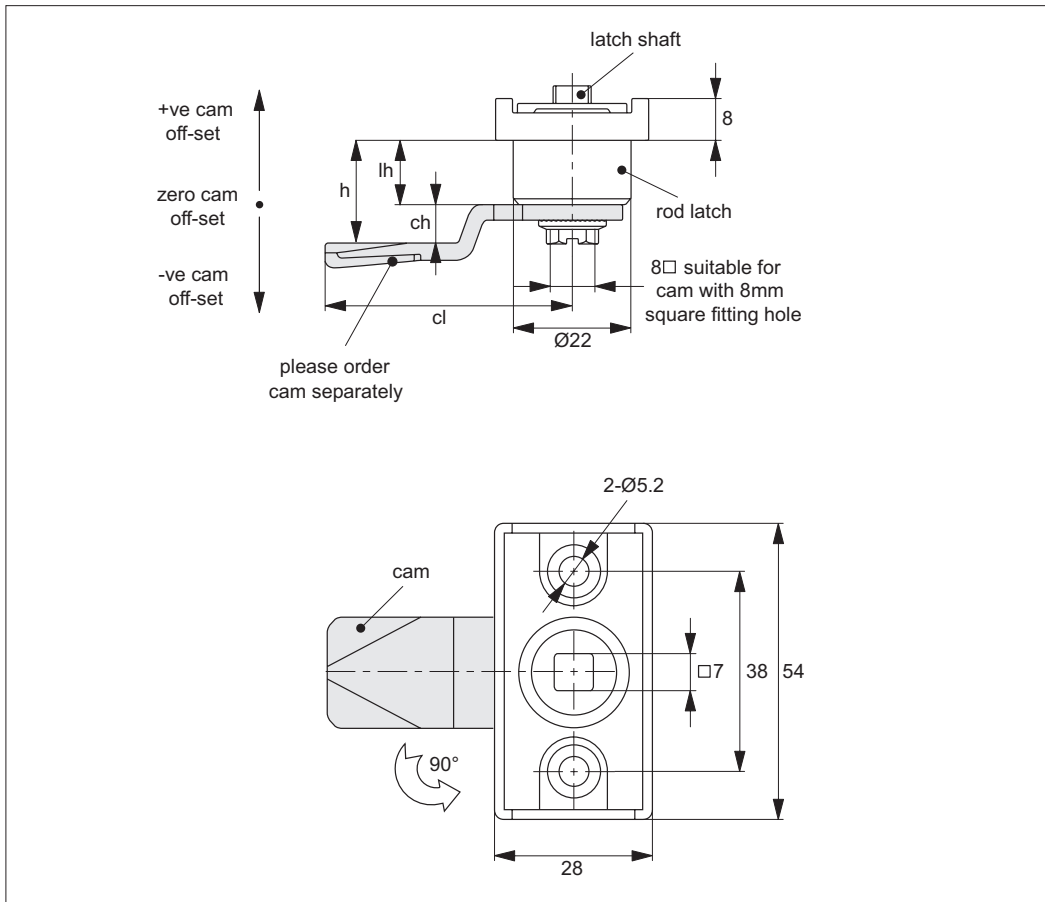
ov-WB1082-A-TPL0100-WB2380-A-T-swing-handles-product-selection-chart-a-rnh- Updated -25-10-2022



	Std. Cylinder Lock 40mm Euro Padlockable Insert Driver	Die-Cast Zinc Polyamide Plastic Stainless Steel Steel Aluminium	IP Rating	1-point 2-point 3-point	Inside Gasketing Outside Gasketing	With Projection W/O Projection
<b>B1450 - Swing Handles - Cam Control - Sliding Cover</b>	 ✓	✓		✓ ✓	✓	✓
Cams: A0203, A0224, A0240 - Keys: Supplied						
<b>B2450 - Swing Handles - Rod Control - Sliding Cover</b>	 ✓	✓		✓ ✓ ✓	✓	✓
Cams: N/A - Keys: Supplied						
<b>B4604 - Cam Latch - Concealed T-handle, Vertical</b>	 ✓		65		✓	
Cams: Supplied - Keys: Padlockable						
<b>B4703 - Push-to-Close Paddle Latch - Pull-to-Open</b>	 ✓	✓		✓	✓	
Cams: N/A - Keys: Supplied						
<b>B4713 - Push-to-Close Paddle Latch - Pull-to-Open</b>	 ✓	✓		✓	✓	
Cams: N/A - Keys: Supplied						
<b>B4733 - Push-to-Close Paddle Latch - Pull-to-Open</b>	 ✓	✓		✓	✓	
Cams: N/A - Keys: Supplied						
<b>B4750 - Push-to-Close Paddle Latch - Pull-to-Open</b>	 ✓	✓		✓	✓	
Cams: N/A - Keys: Supplied						
<b>B4752 - Push-to-Close Paddle Latch - Pull-to-Open</b>	 ✓	✓		✓	✓	
Cams: N/A - Keys: Supplied						

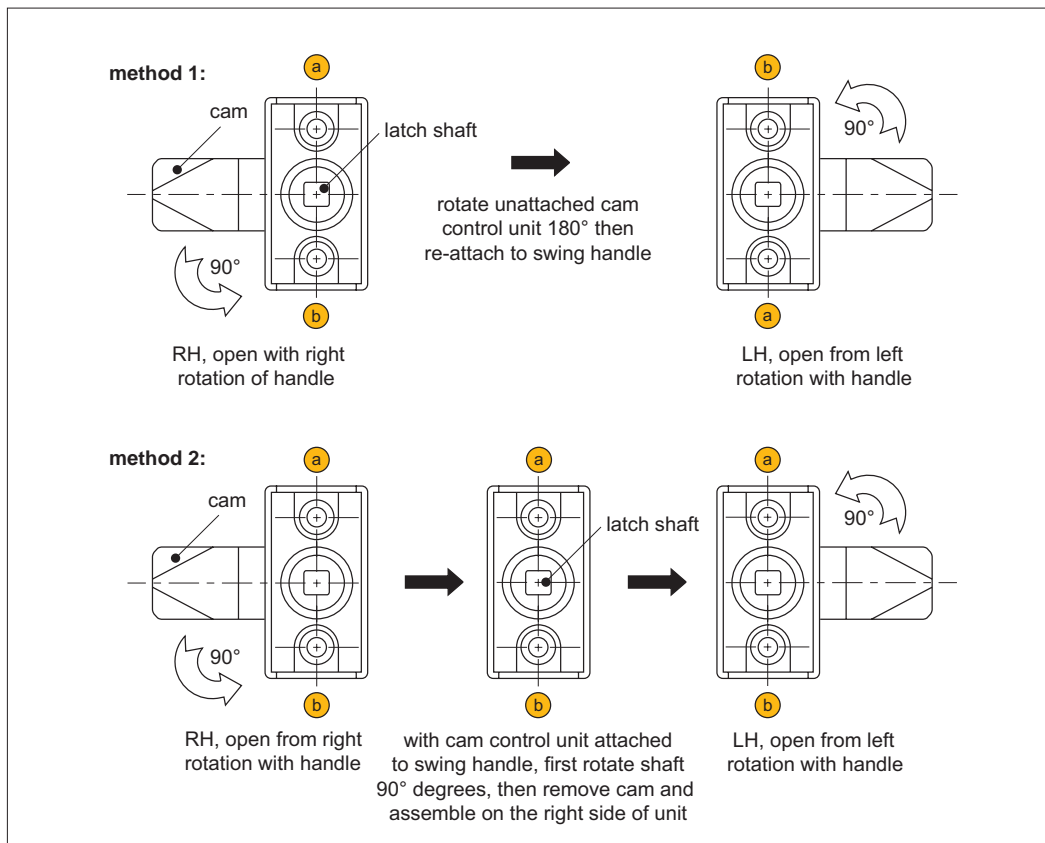
	Std. Cylinder Lock 40mm Euro Padlockable Insert Driver	Die-Cast Zinc Polyamide Plastic Stainless Steel Steel Aluminium	IP Rating	1-point 2-point 3-point	Inside Gasketing Outside Gasketing	With Projection W/O Projection
<b>B4754 - Push-to-Close Paddle Latch - Pull-to-Open</b>	 ✓	✓		✓	✓	
Cams: N/A - Keys: Supplied						
<b>B4756 - Push-to-Close Paddle Latch - Pull-to-Open</b>	 ✓	✓		✓	✓	
Cams: N/A - Keys: Supplied						
<b>B4758 - Push-to-Close Paddle Latch - Pull-to-Open</b>	 ✓	✓		✓ ✓		
Cams: N/A - Keys: Supplied						
<b>B4800 - Twist-to-Close Paddle Latch - Snap-On</b>	 ✓	✓		✓	✓	
Cams: N/A - Keys: Supplied						





## Swing Handles - Cam Control

Dimensional details for our cam control mechanism used in many of our Swing Handles **B1082** through **B1450**.



## Swing Handles - Cam Control - Universal

Swing Handles with cam control are for universal left or right hand use. Use one of the following two methods to switch the cam control mechanism from left or right, to suit your application. The descriptions below are for changing a cam control from left to right, to switch from right to left follow a reverse process.

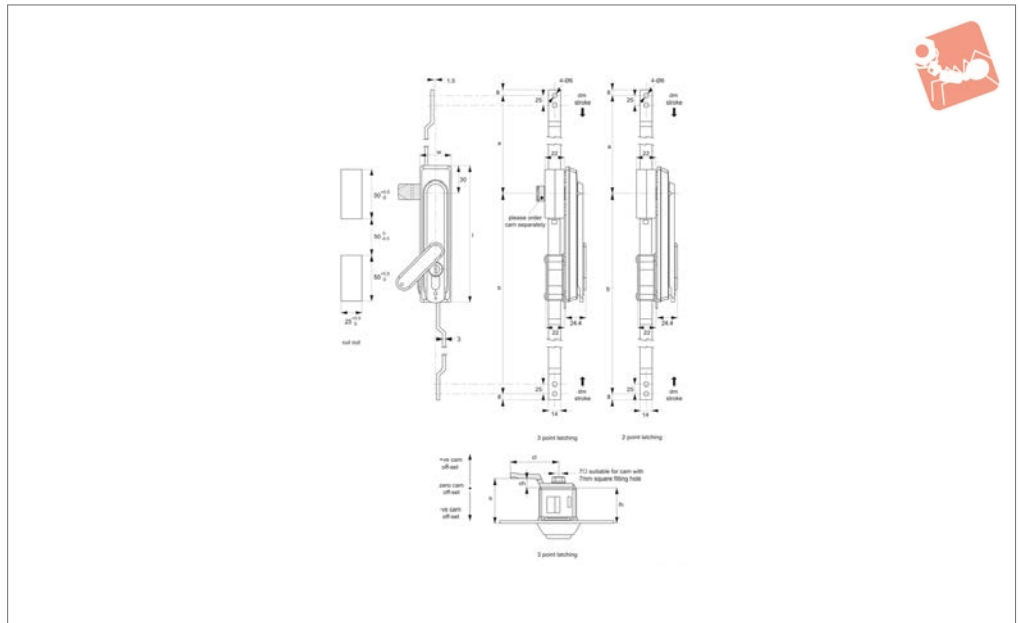
**Method One:** with the cam control elements unattached from the swing handle body, simply rotate the cam control elements 180° degrees then re-attach to the swing handle body.

**Method Two:** this method can be used with the cam control elements already attached to the swing handle body. Firstly rotate the cam 90°, the cam control shaft will also rotate 90°. Secondly, remove the cam and re-attach on the right hand side.

ov-WB1082-A-TPL0100-WB1450-A-T-swing-handles-cam-control-rmh- Updated -25-10-2022



## B2082



### Material

**Type One:** Body & Handle: die cast zinc, black powder coated.

**Type Two:** Body: Polyamide PA6, black. Handle: die cast zinc, black powder coated. Cylinder lock: die cast zinc, chrome plated. Rod Control Mechanism: die cast zinc.

**Supplied with:** Keys: two per lock.

**Not supplied:** Cam: order separately.

### Technical Notes

All locks are **keyed alike**.

Order cam separately.

Three point latching model utilises rod control plus a cam.

Two point latching model cannot accommodate a cam.

**Cams:** see suitable cam A0215. Select „without projection“ cam type.

Dimensions  $ch$  and  $cl$  relate to cam. Use formula to calculate  $ch$  (required cam off-set), and refer to cam selection chart;

$ch = h - lh$  where;

$ch$  = required cam off-set/height.

$h$  = grip length (distance between inside of

latch face and front of cam).

$lh$  = body length of cam latch/lock to be used (see product table below).

**Rods & Guides:** to achieve 3-point latching - A0303, A0321, A0325.

### Tips

90° degree handle rotation combines with rod latch to open or close. Panel thickness 1-4mm. All the cast metal construction provides higher strength.

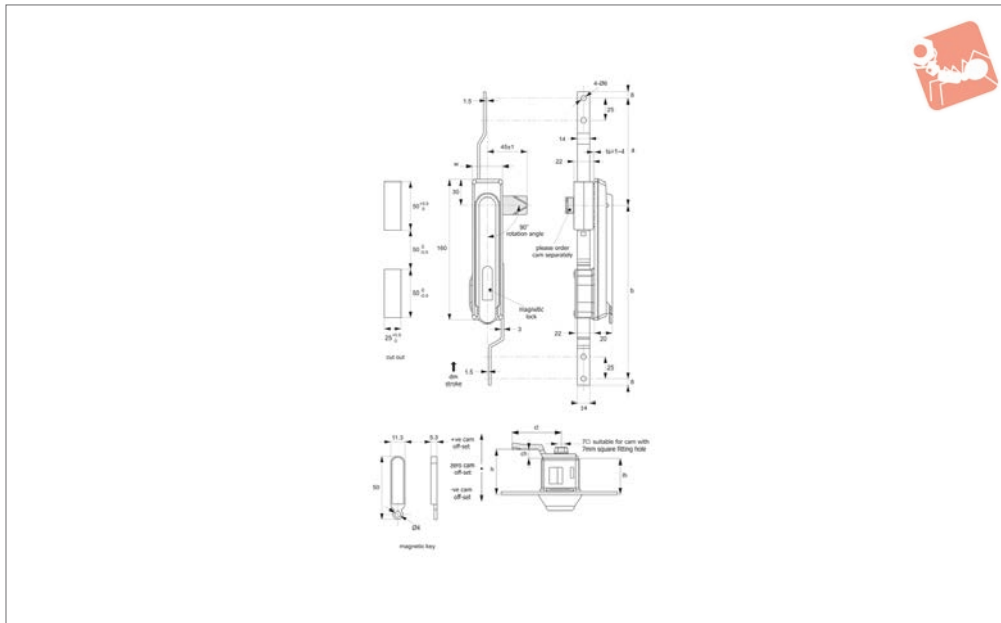
Order No.	Type	Body	Handle	Latching type	l	Padlockable	w	lh	a	b	dm stroke
B2082.AW0010	One	Zinc	Zinc	2 point	160	No	34	23	122	196	15
B2082.AW0020	One	Zinc	Zinc	2 point	160	Yes	34	23	196	122	15
B2082.AW0110	One	Zinc	Zinc	3 point	160	No	34	23	122	196	15
B2082.AW0120	One	Zinc	Zinc	3 point	160	Yes	34	23	196	122	15
B2082.AW0310	Two	Polyamide	Zinc	3 point	160	No	34	23	196	122	15
B2082.AW0320	Two	Polyamide	Zinc	3 point	160	Yes	34	23	196	122	15



# Swing Handles - with Rod Control

magnetic key - zinc

# Swing Handles



**B2084**

SWING HANDLES

### Material

Body & Handle: die cast zinc, block powder coated.

Rod Control Mechanism: die cast zinc.

**Supplied with:** Cam: steel, zinc plated.

Key: magnetic key.

### Technical Notes

Order cam separately.

**Cams:** see suitable cam A0215. Select

„without projection“ cam type.

Dimensions  $ch$  and  $cl$  relate to cam. Use formula to calculate  $ch$  (required cam off-

set), and refer to cam selection chart;

$ch = h - lh$  where;

$ch$  = required cam off-set/height.

$h$  = grip length (distance between inside of latch face and front of cam).

$lh$  = body length of cam latch/lock to be used (see product table below).

**Rods & Guides:** to achieve 3-point latching - A0303, A0321, A0325.

### Tips

Universal left or right hand locking achievable

Suitable for panel thickness 1 - 4mm.

### Important Notes

Place magnetic key over magnetic lock to release handle. Lift and turn handle to release cam and rod controls to open panel. Magnetic lock system ensures lock mechanism is never exposed, giving less risk of dust or other external ingress.

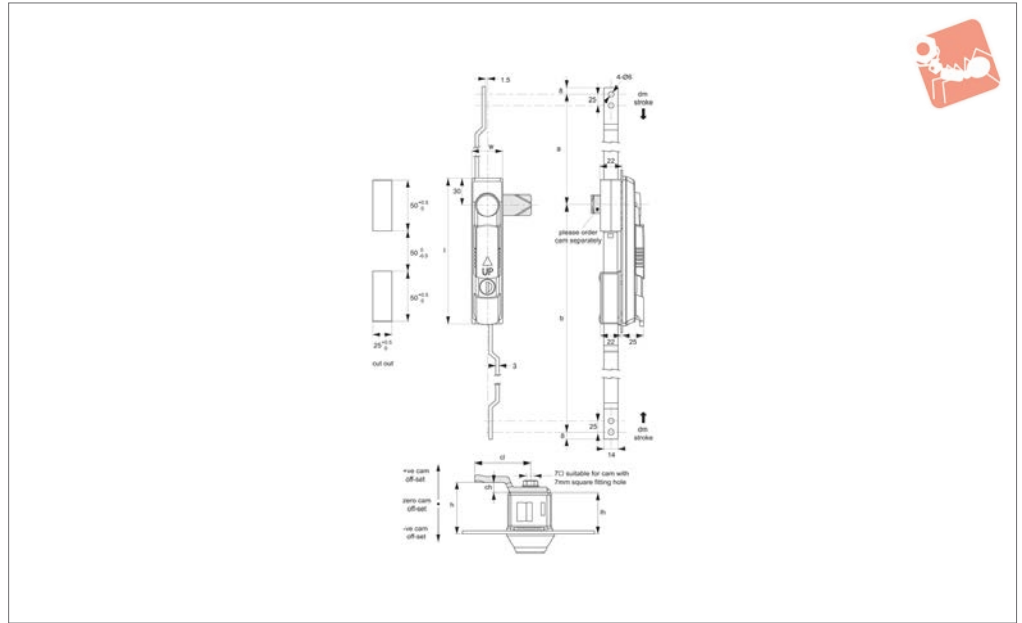
Order No.	Finish	Lock type	Key type	w	lh	a	b	dm stroke
<b>B2084.AW0010</b>	Black Coated	Magnetic	Magnetic Security	34	23	122	196	15



SWING HANDLES



## B2086



### Material

**Type One:** Body & Handle: die cast zinc, black powder coated.

**Type Two:** Body: Polyamide PA6, black.  
Handle: die cast zinc, black powder coated.  
Cylinder lock: die cast zinc, chrome plated.  
Rod Control Mechanism: die cast zinc.

**Supplied with:** Keys: two per lock.

**Not supplied:** Cam: order separately.

### Technical Notes

Order cam separately.

**Cams:** see suitable cam A0215. Select „without projection“ cam type.

Dimensions  $ch$  and  $cl$  relate to cam. Use formula to calculate  $ch$  (required cam off-set), and refer to cam selection chart;

$ch = h - lh$  where;

$ch$  = required cam off-set/height.

$h$  = grip length (distance between inside of latch face and front of cam).

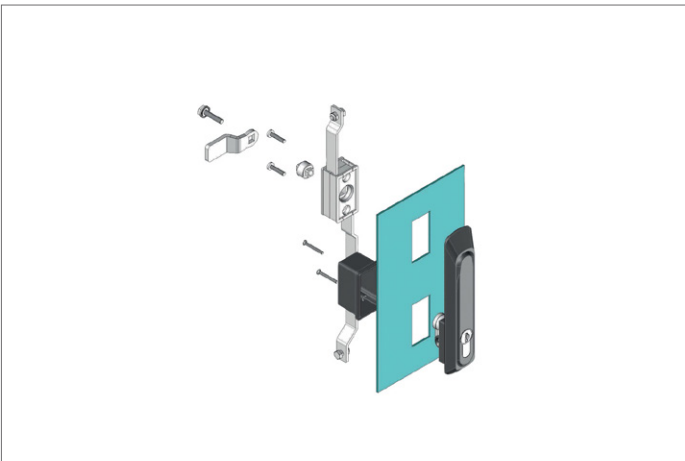
$lh$  = body length of cam latch/lock to be used (see product table below).

**Rods & Guides:** to achieve 3-point latching - A0303, A0321, A0325.

### Tips

90° degree handle rotation combines with rod latch to open or close. Suitable for panel thickness 1-4mm. For use inside of cabinet gasket.

Order No.	Type	Body	Handle	Lock type	Key type	l	w	lh	a	b	dm stroke
B2086.AW0010	One	Zinc	Zinc	Std. Cylinder	Keyed Alike	160	34	23	122	196	15
B2086.AW0310	Two	Polyamide	Zinc	Std. Cylinder	Keyed Alike	160	34	23	122	196	15

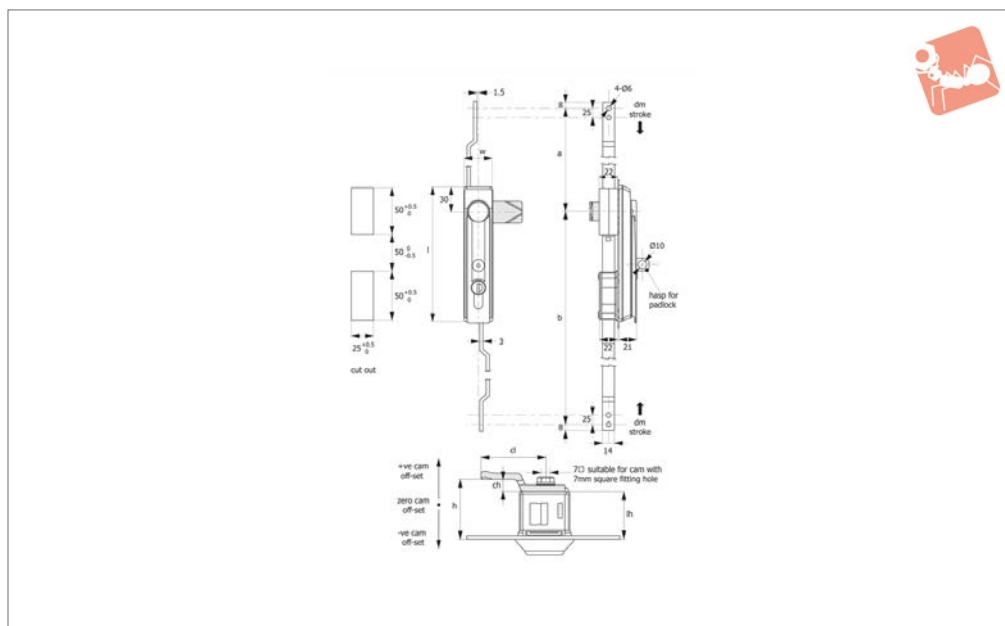




# Swing Handles - with Rod Control

40mm euro cylinder lock - padlockable - zinc or

## Swing Handles



**B2088**

SWING HANDLES

### Material

**Type One:** Body & Handle: die cast zinc, black powder coated.

**Type Two:** Body: Polyamide PA6, black. Handle: die cast zinc, black powder coated.

Cylinder lock: die cast zinc, chrome plated.

Rod Control Mechanism: die cast zinc.

**Supplied with:** Keys: two per lock.

**Not supplied:** Cam: order separately.

### Technical Notes

Order cam separately.

**Cams:** see suitable cam A0215. Select

„without projection“ cam type.

Dimensions ch and cl relate to cam. Use formula to calculate ch (required cam off-set), and refer to cam selection chart;

**ch = h - lh** where;

**ch** = required cam off-set/height.

**h** = grip length (distance between inside of latch face and front of cam).

**lh** = body length of cam latch/lock to be used (see product table below).

**Rods & Guides:** to achieve 3-point latching - A0303, A0321, A0325.

### Tips

90° degree handle rotation combines with rod latch to open or close. All die cast metal construction provides higher strength than standard models. Ideal for electrical cabinets, telecom racks or enclosures max. panel thickness of 1 to 4mm. For use inside of cabinet gasket. Universal left/right.

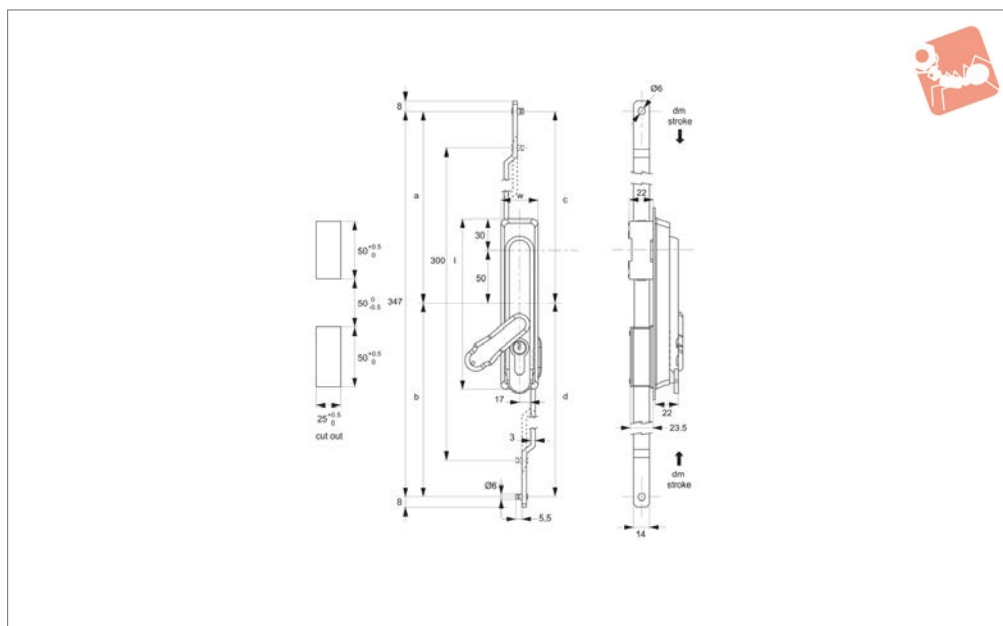
Order No.	Body	Handle	Lock type	Key type	l	Padlockable	w	lh	a	b	dm stroke
<b>B2088.AW0010</b>	Zinc	Zinc	40 Euro	Keyed Alike	160	No	34	23	122	196	15
<b>B2088.AW0310</b>	Polyamide	Zinc	40 Euro	Keyed Alike	160	No	34	23	122	196	15
<b>B2088.AW0020</b>	Zinc	Zinc	40 Euro	Keyed Alike	160	Yes	34	23	122	196	15
<b>B2088.AW0320</b>	Polyamide	Zinc	40 Euro	Keyed Alike	160	Yes	34	23	122	196	15



SWING HANDLES



## B2091



### Material

Body & Handle: polyamide (PA), black.  
 Cylinder lock: die cast zinc, chrome plated.  
 Rod Control Mechanism: die cast zinc.

**Supplied with:** Keys: two per lock.

**Not supplied:** Cam: order separately.

### Technical Notes

Suitable for two point latching.  
 Not suitable for three point latching.

### Tips

Also available with radial pin lock, subject

to min. order quantity.

Ideal for electrical cabinets, telecom racks or enclosures max. panel thickness of 2mm. For use inside of cabinet gasket. Universal left/right.

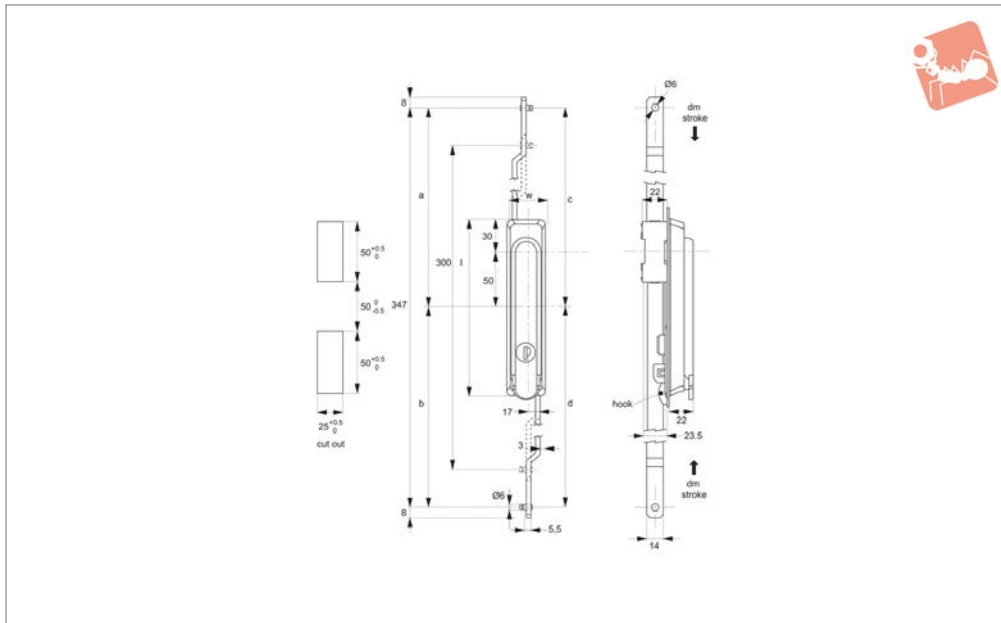
Order No.	Finish	Lock type	Key type	l	w	lh	a	b	c	d	dm stroke 135°	dm stroke 90°
B2091.AW0020	Black, Plastic	40 Euro	Keyed Alike	160	35	23	123.5	223.5	173.5	173.5	23.5	16



# Swing Handle - with Rod Control

standard cylinder - polyamide

## Swing Handles



**B2181**

SWING HANDLES

### Material

Body & Handle: polyamide (PA), black.  
 Cylinder lock: die cast zinc, chrome plated.  
 Rod Control Mechanism: die cast zinc.  
**Supplied with:** Keys: two per lock.

**Not supplied:** Rods: order separately.

### Technical Notes

Suitable for two point latching.  
 Not suitable for three point latching.

**Rods & Guides:** A0303, A0321, A0325.

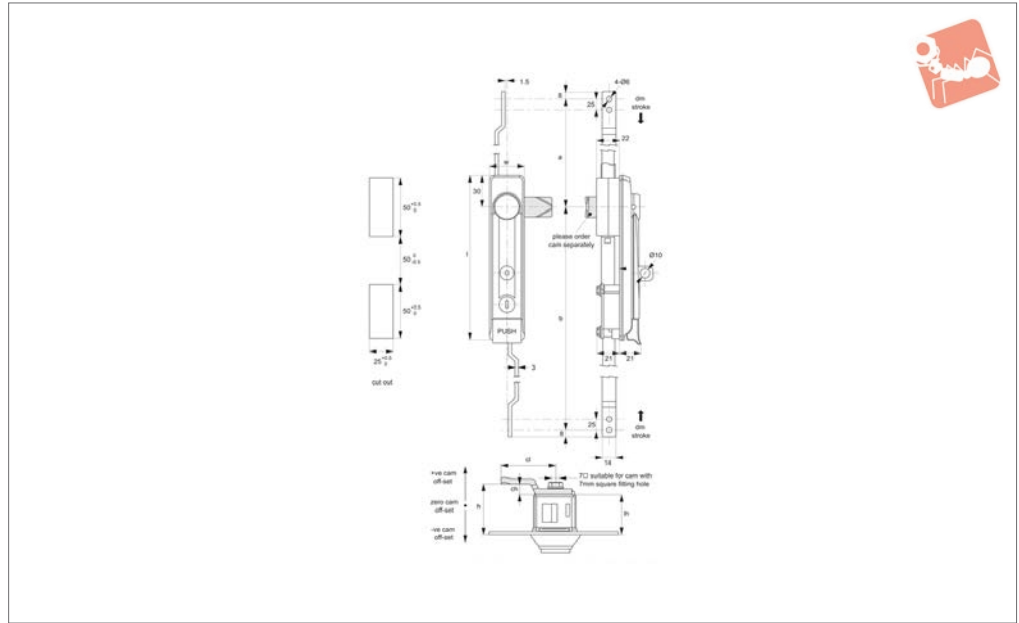
### Tips

Suitable for panel thickness 1 - 2mm.

Order No.	Finish	Latching type	Key type	l	w	lh	a	b	c	d	dm stroke 135°	dm stroke 90°
<b>B2181.AW0010</b>	Black, Plastic	2-Point	Keyed Alike	160	35	22	123.5	223.5	173.5	173.5	23.5	16



## B2285



SWING HANDLES

**Material**

Body & Handle: die cast zinc, black powder coated.  
 Cylinder lock: die cast zinc, chrome plated.  
 Rod Control Mechanism: die cast zinc.  
**Supplied with:** Keys: two per lock.  
**Not supplied:** Cam: order separately.

**Technical Notes**

Order cam separately.

**Cams:** see suitable cam A0215. Select „without projection“ cam type.

Dimensions *ch* and *cl* relate to cam. Use formula to calculate *ch* (required cam off-set), and refer to cam selection chart;  
**ch = h - lh** where;  
**ch** = required cam off-set/height.  
**h** = grip length (distance between inside of latch face and front of cam).

**lh** = body length of cam latch/lock to be used (see product table below).

**Rods & Guides:** to achieve 3-point latching - A0303, A0321, A0325.

**Padlock models:** suitable for padlock shackle max. diameter 10mm.

**Tips**

Suitable for panel thickness 1-3mm

Order No.	Finish	Lock type	Key type	Button	l	Padlockable	w	lh	a	b	dm stroke
B2285.AW0010	Black Coated	Std. Cylinder	Keyed Alike	With	158	No	34	23	122	196	15
B2285.AW0020	Black Coated	Std. Cylinder	Keyed Alike	With	158	Yes	34	23	122	196	15
B2285.AW0050	Black Coated	Std. Cylinder	Keyed Alike	W/o	158	No	34	23	122	196	15
B2285.AW0060	Black Coated	Std. Cylinder	Keyed Alike	W/o	158	Yes	34	23	122	196	15

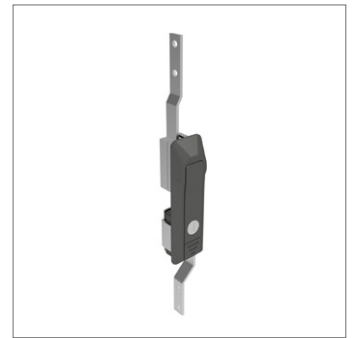
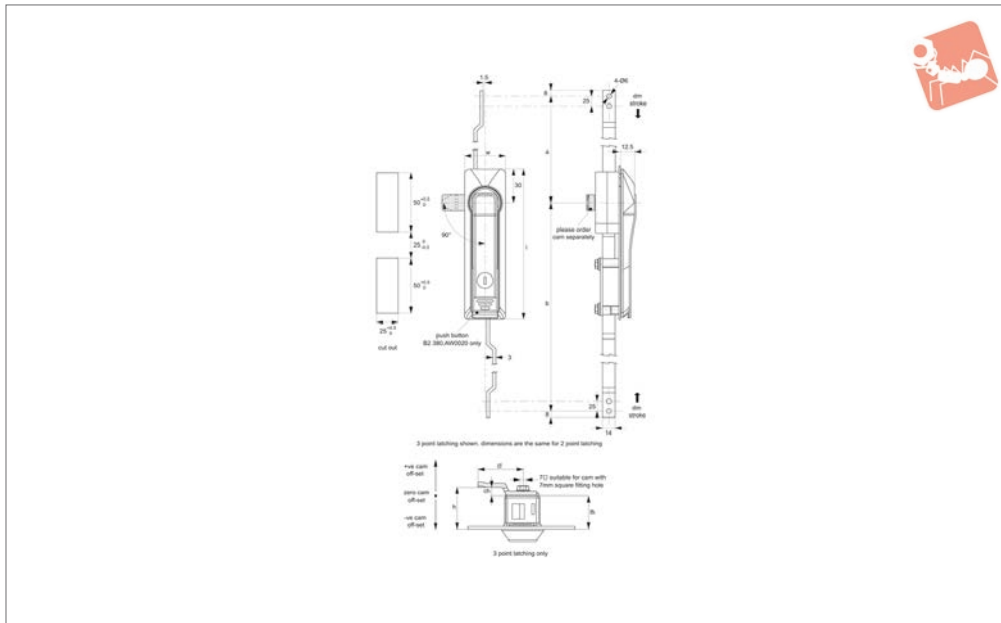




# Swing Handles - with Rod Control

standard cylinder - zinc

## Swing Handles



**B2380**

SWING HANDLES

### Material

Body & Handle: die cast zinc, black powder coated.

Cylinder lock: die cast zinc, chrome plated.

Rod Control Mechanism: die cast zinc.

**Supplied with:** Keys: two per lock.

**Not supplied:** Cam: order separately.

### Technical Notes

**Please note that the two point latching models use a bespoke mechanism.** A cam

cannot be fitted to it to create a three point latching.

Order cam separately.

**Cams:** see suitable cam A0215. Select „without projection“ cam type.

Dimensions ch and cl relate to cam. Use formula to calculate ch (required cam off-set), and refer to cam selection chart;

**ch = h - lh** where;

**ch** = required cam off-set/height.

**h** = grip length (distance between inside of latch face and front of cam).

**lh** = body length of cam latch/lock to be used (see product table below).

**Rods & Guides:** to achieve 3-point latching - A0303, A0321, A0325.

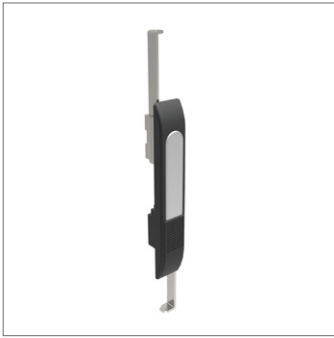
### Tips

Suitable for panel thickness 1-4mm. For indoor or outdoor use. For use inside or outside gasket.

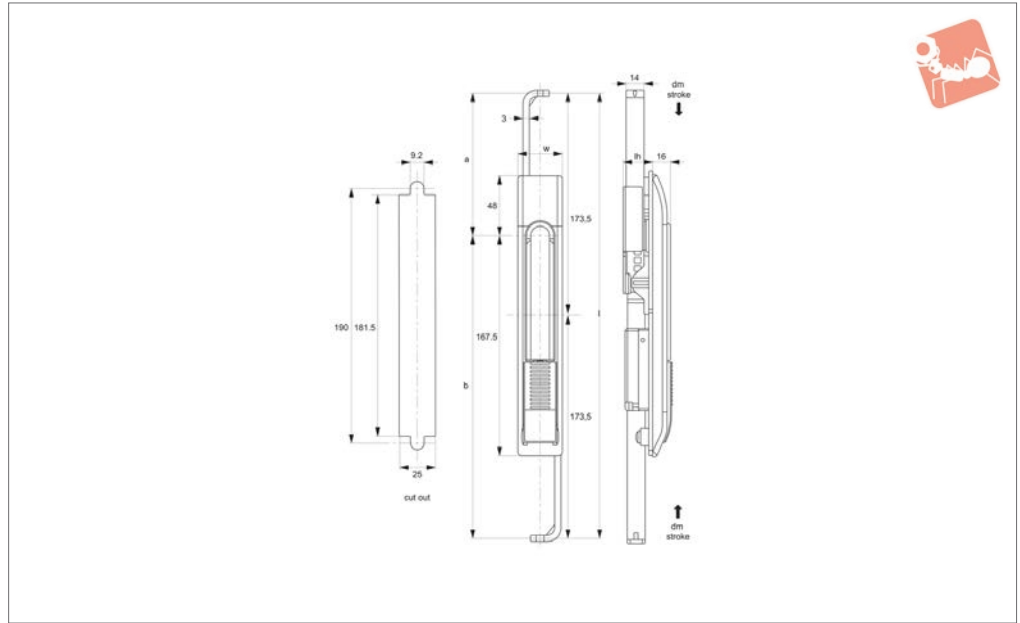
Order No.	Finish	Latching type	Key type	Button	I	w	lh	a	b	dm stroke
<b>B2380.AW0010</b>	Black Coated	3	Keyed Alike	W/o	133	36	22	122	196	15
<b>B2380.AW0020</b>	Black Coated	3	Keyed Alike	With	133	36	22	122	196	15
<b>B2380.AW0030</b>	Black Coated	2	Keyed Alike	W/o	133	36	22	122	196	15
<b>B2380.AW0040</b>	Black Coated	2	Keyed Alike	With	133	36	22	122	196	15



SWING HANDLES



## B2450



### Material

Body: polyamide plastic, black.  
 Handle: die cast zinc, chrome plated.  
 Cylinder lock: die cast zinc, chrome plated.  
 Rod Control Mechanism: die cast zinc.  
**Supplied with:** Keys: two per lock.

### Technical Notes

Achieves 2 point clamping at top and

bottom of panel. Not suitable for 3 point clamping.  
 Unlock handle to release, lift and turn to activate rod control mechanism and release panel.  
 Sliding lock cover prevents ingress of dust etc. into lock mechanism.

### Tips

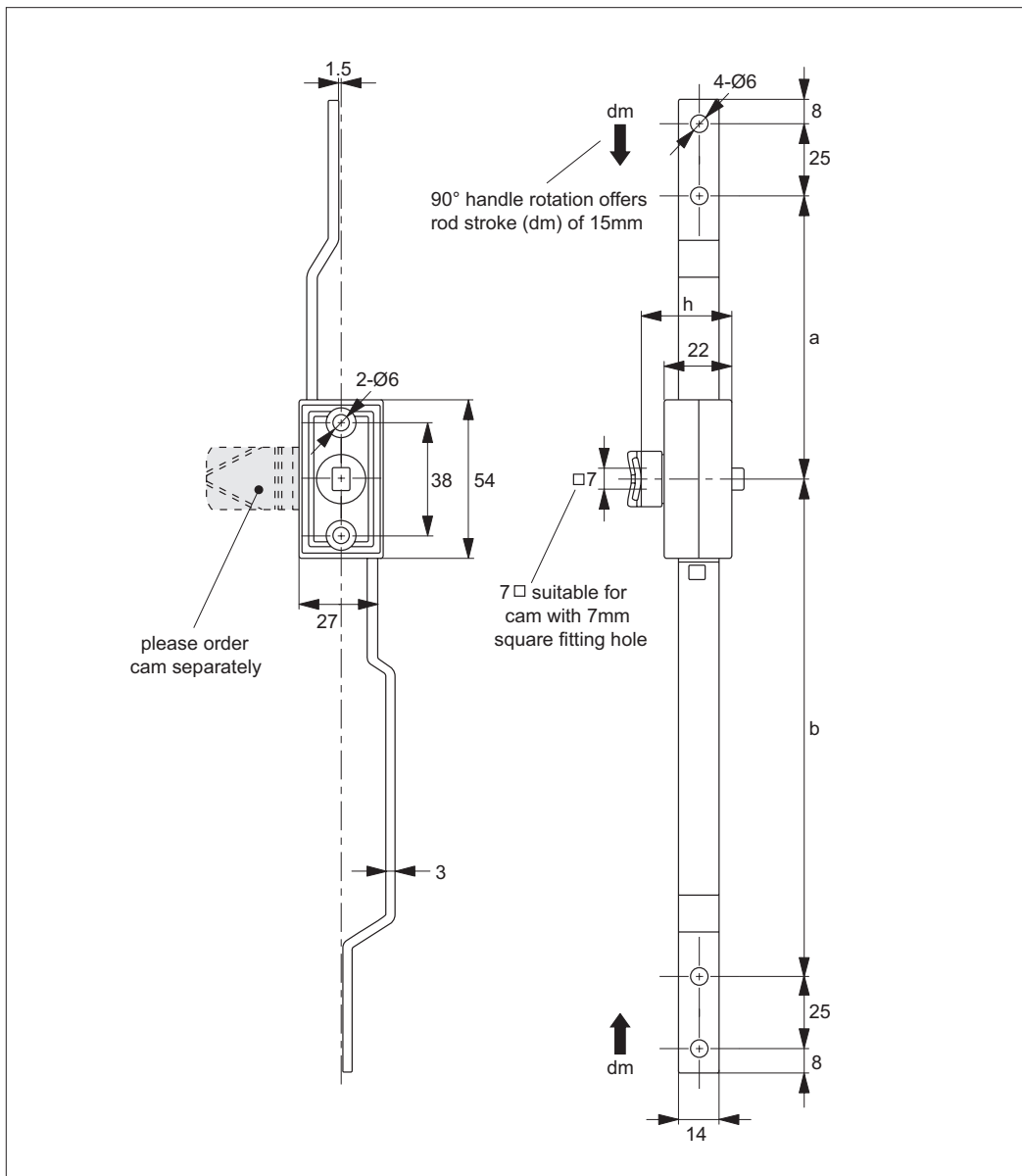
Suitable for panel thickness 1 to 2mm.

Order No.	Finish	Lock type	Key type	l	w	lh	a	b	dm stroke 135°	dm stroke 90°
B2450.AW0010	Black Coated	40 Euro	Keyed Alike	347	36	20	113.8	233.2	23.5	16.0



## Swing Handles - Rod Control

Dimensional details for our rod control mechanism used in many of our Swing Handles **B2082** through **B2450**.

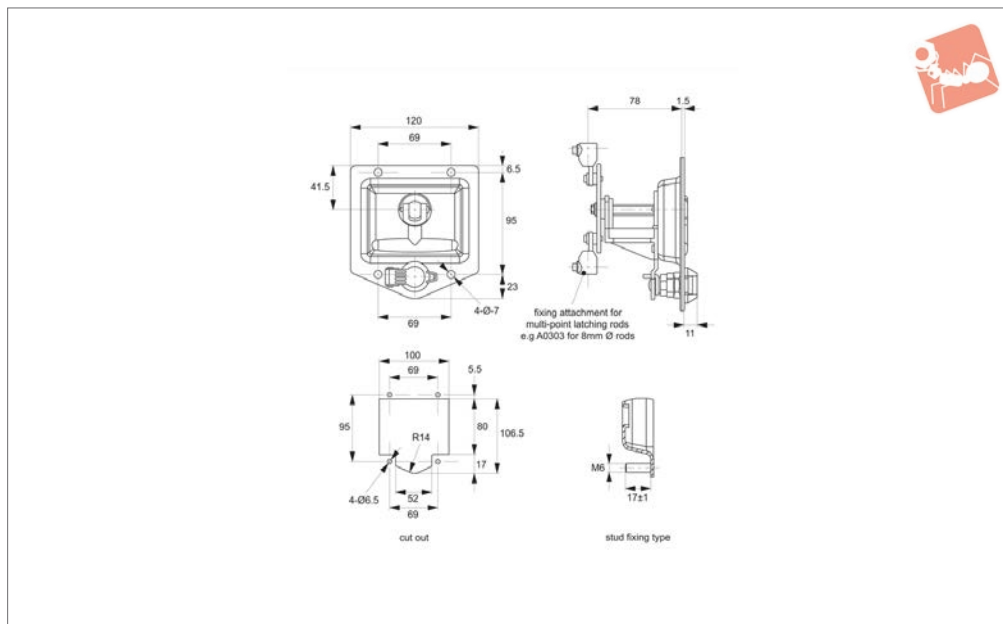


SWING HANDLES

ov-WB2082-A-TPL0500-WB2450-A-T-swing-handles-rod-control-rnh- Updated -25-10-2022



### B4584



#### Material

Body: stainless steel, AISI 303.

Handle: die cast zinc, chrome plated.

Cylinder lock: die cast zinc, chrome plated.

**Supplied with:** Keys: two per lock.

#### Technical Notes

Hole fixing type requires 4 off M 6 screws

(not supplied) for front mounting.

Stud fixing type has 4 off M 6 welding studs for rear mounting with M 6 nuts (not supplied).

Use with multi-point latching rods (e.g A0303), with 8mm Ø rods, to achieve two point latching of larger enclosure panels.

#### Tips

Ideal for electricity sub-stations, HGVs and other road side vehicles.

T-handle is in the vertical position when locked. Universal left/right. For use inside of cabinet gasket.

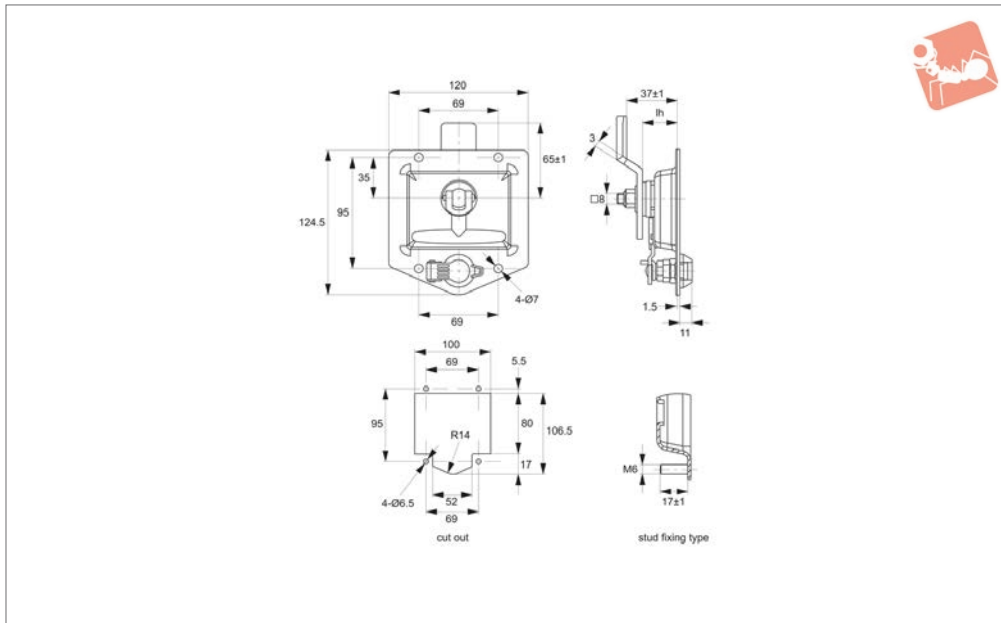
Order No.	Mounting type	Lock type	Key type
B4584.AW0010	Hole Fixing	Std. Cylinder	Keyed Alike
B4584.AW0020	Stud Fixing	Std. Cylinder	Keyed Alike



# Cam Latch - Flush T-handle

vertical - heavy duty - fixed grip - standard cylinder

## Paddle Latches



**B4586**

PADDLE LATCHES

### Material

Body: stainless steel, AISI 303.  
 Handle: die cast zinc, chrome plated.  
 Cylinder lock: die cast zinc, chrome plated.  
**Supplied with:** Keys: two per lock.  
 Cam: stainless steel, AISI 303.

### Technical Notes

Hole fixing type requires 4 off M 6 screws

(not supplied), for front mounting.  
 Stud fixing type has 4 off M 6 welded studs for near mounting with M 6 nuts (not supplied).

### Tips

Ideal for electricity sub-stations, HGVs and other road side vehicles.  
 T-handle is in the vertical position when

locked. Universal left/right. For use inside of cabinet gasket.  
 Can be used with cam range A0203.

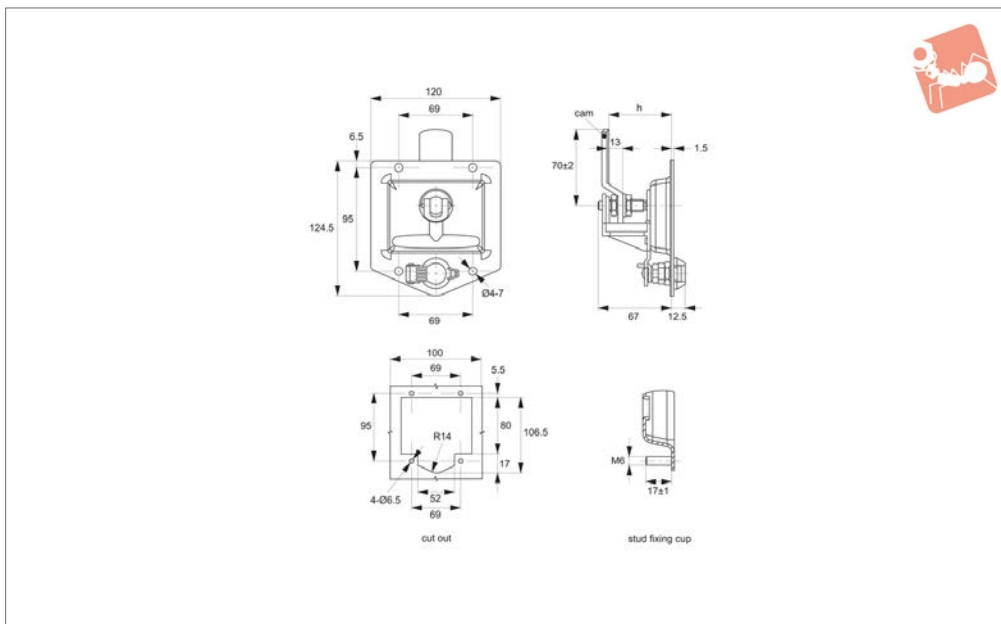
Order No.	Mounting type	Lock type	Key type	lh
B4586.AW0010	Hole Fixing	Std. Cylinder	Keyed Alike	25
B4586.AW0020	Stud Fixing	Std. Cylinder	Keyed Alike	25



PADDLE LATCHES



### B4588



#### Material

Body: stainless steel, AISI 303.

Handle: die cast zinc, chrome plated.

Cylinder lock: die cast zinc, chrome plated.

**Supplied with:** Keys: two per lock.

Cam: stainless steel, AISI 303.

#### Technical Notes

Hole fixing type requires 4 off M 6 screws

(not supplied), for front mounting.

Stud fixing type has 4 off M 6 welded studs for near mounting with M 6 nuts (not supplied).

#### Tips

Ideal for electricity sub-stations, HGVs and other road side vehicles.

T-handle is in the vertical position when

locked.

For use inside of cabinet gasket.

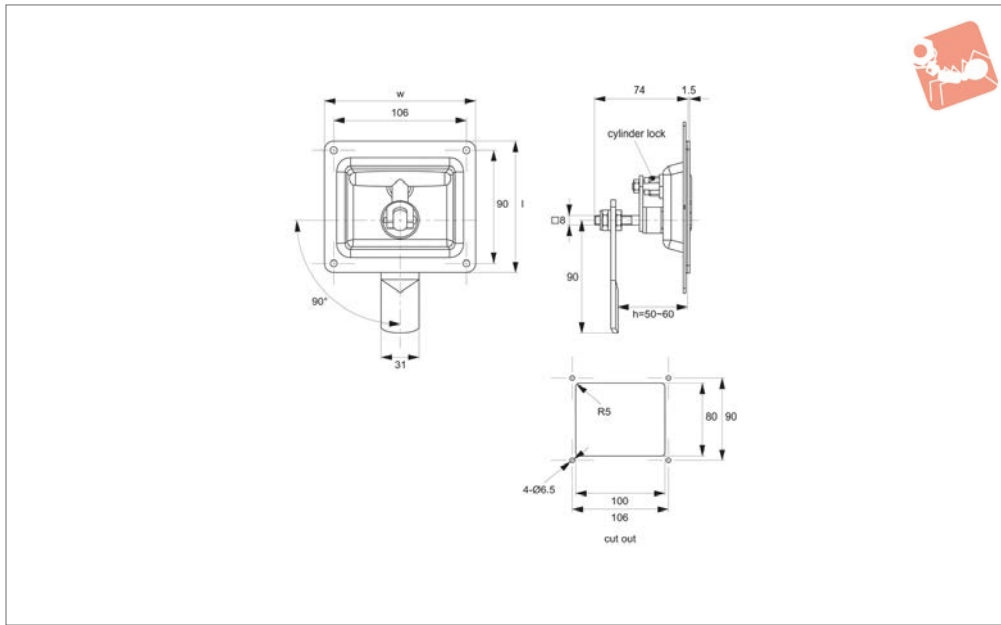
Order No.	Mounting type	Lock type	Key type	h grip range
B4588.AW0010	Hole Fixing	Std. Cylinder	Keyed Alike	48 - 58
B4588.AW0020	Stud Fixing	Std. Cylinder	Keyed Alike	48 - 58



# Cam Latches - Flush T-Handle

no lock option - adjustable grip - stainless steel

## Paddle Latches



**B4590**

PADDLE LATCHES

### Material

Body: stainless steel, AISI 303.  
 Handle: die cast zinc, chrome plated.  
 Cylinder lock: die cast zinc, chrome plated.

Cam: stainless steel, AISI 303.

### Technical Notes

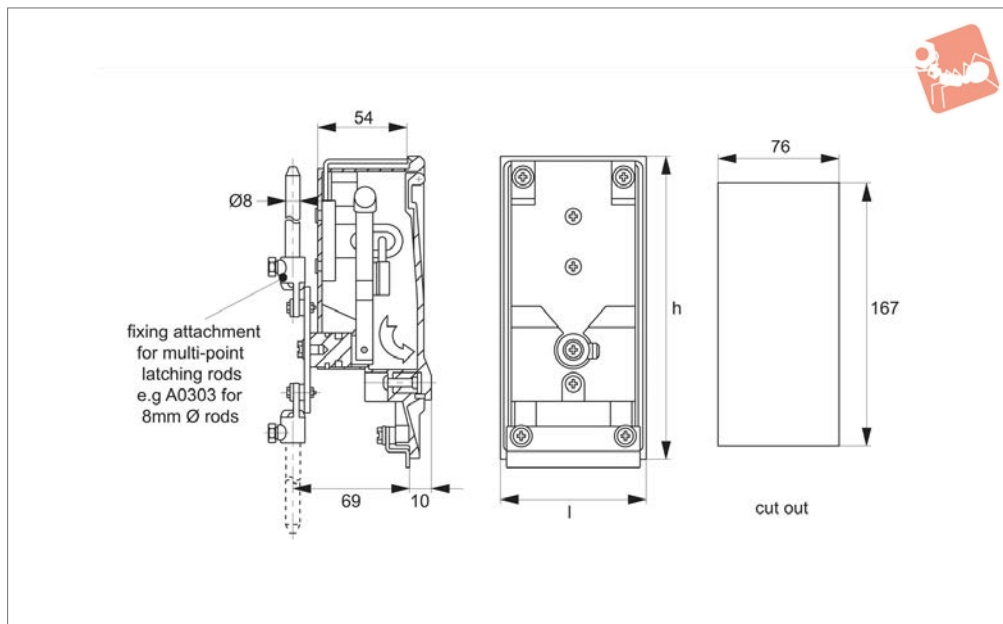
Mounting via 4 off M 6 screws (not

supplied) for front mounting.  
 With lock version has standard cylinder lock to prevent unauthorised opening.

Order No.	Mounting type	Lock type	l	w	h grip range
B4590.AW0010	Hole fixing	Std. Cylinder	105	120	50~60
B4590.AW0020	Hole fixing	Blank - No Lock	105	120	50~60



**B4604**



**Material**

Body and Cover: aluminium, grey powder coated.

**Technical Notes**

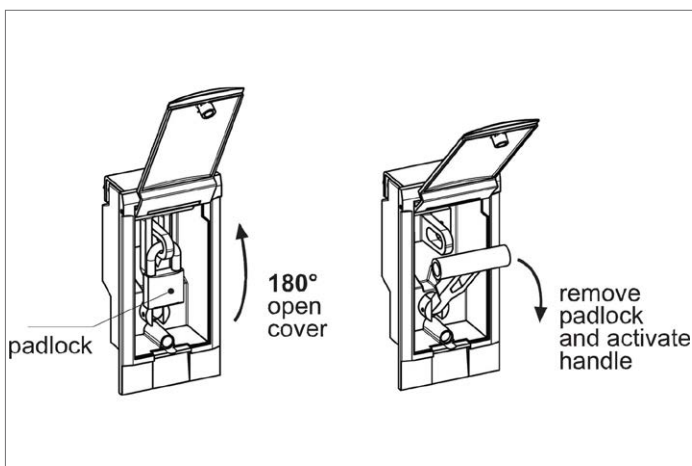
Designed for medium voltage electricity panels.

T-handle is in the vertical position when locked. For added security has padlock shackle to prevent lifting/turning of T-handle to suit max. padlock shackle of 9mm dia (not supplied).

Use with multi-point latching rods (A0303)

with 8mm Ø rods, to achieve two point latching of larger enclosure panels. Handle secured to frame via mounting brackets (supplied).

Order No.	Body	h	l
B4604.AW0010	Aluminium	178	87



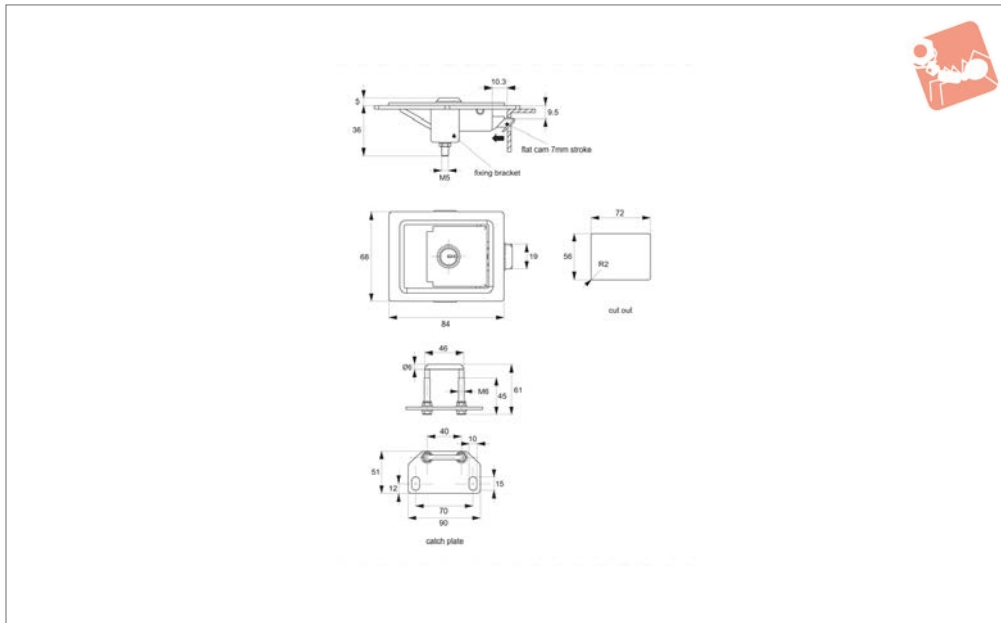




# Push To Close Paddle Latches

pull to open - slam action - standard cylinder lock -

## Paddle Latches



### B4703

PADDLE LATCHES

#### Material

Body and Handle: steel, black powder coated.  
Cylinder lock: die cast zinc, zinc plated.

**Supplied with:** Keys: two per lock.

**Not Supplied:** Catch plate: please order separately.

#### Technical Notes

Spring loaded, slam action handle. Installation via 72x56mm cut out.

#### Order No.

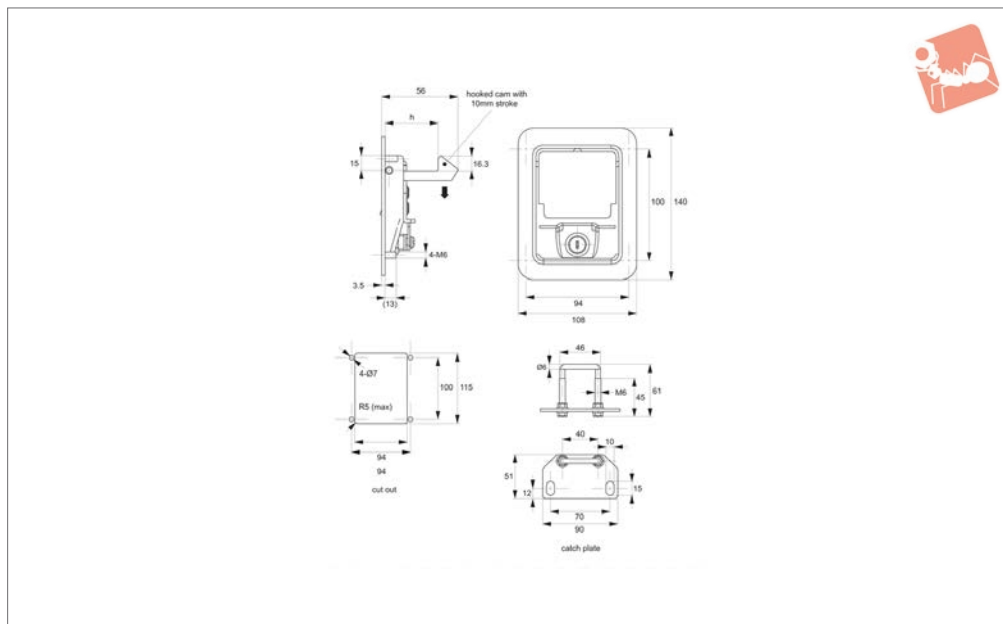
B4703.AW0010  
B4703.AW0020

#### Lock type

Std. Cylinder  
Blank - No Lock



## B4713



### Material

Body and Handle: steel, black powder coated.

Cylinder lock: die cast zinc, zinc plated.

**Supplied with:** Keys: two per lock.

**Not Supplied:** Catch plate: please order separately.

### Technical Notes

Stud fixing type has 4 off M 6 welded studs for rear mounting with M 6 nuts (not supplied).

Universal left/right. For use inside of cabinet gasket.

### Tips

Fully integrated lock, latch and flush fitting paddle handle, ideal for generators, compressors, electric panels and doors.

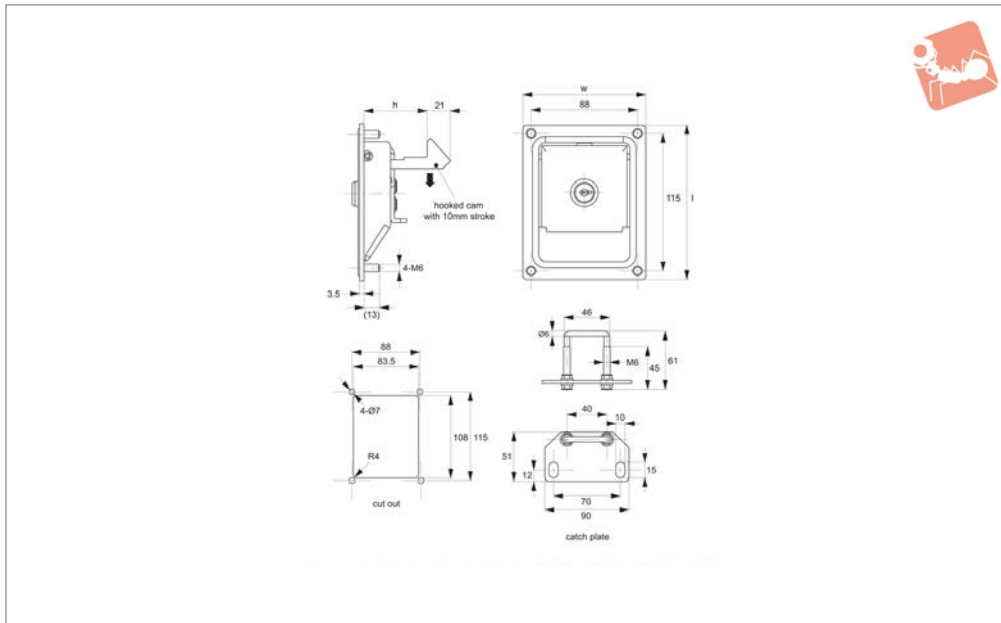
Order No.	Lock type	Type	h
<b>B4713.AW0010</b>	Std. Cylinder	Latch	31.5
<b>B4713.AW0020</b>	Std. Cylinder	Latch	44.0
<b>B4713.AW0030</b>	Std. Cylinder	Latch	55.0
<b>B4713.AW0040</b>	Blank - No Lock	Latch	31.5



# Push To Close Paddle Latches

pull to open - slam action - standard cylinder lock -

## Paddle Latches



**B4733**

PADDLE LATCHES

### Material

Body and Handle: steel, black powder coated.

Cylinder lock: die cast zinc, zinc plated.

**Supplied with:** Keys: two per lock.

**Not Supplied:** Catch plate: please order

separately.

### Technical Notes

Stud fixing type has 4 off M 6 welded studs for rear mounting with M 6 nuts (not supplied).

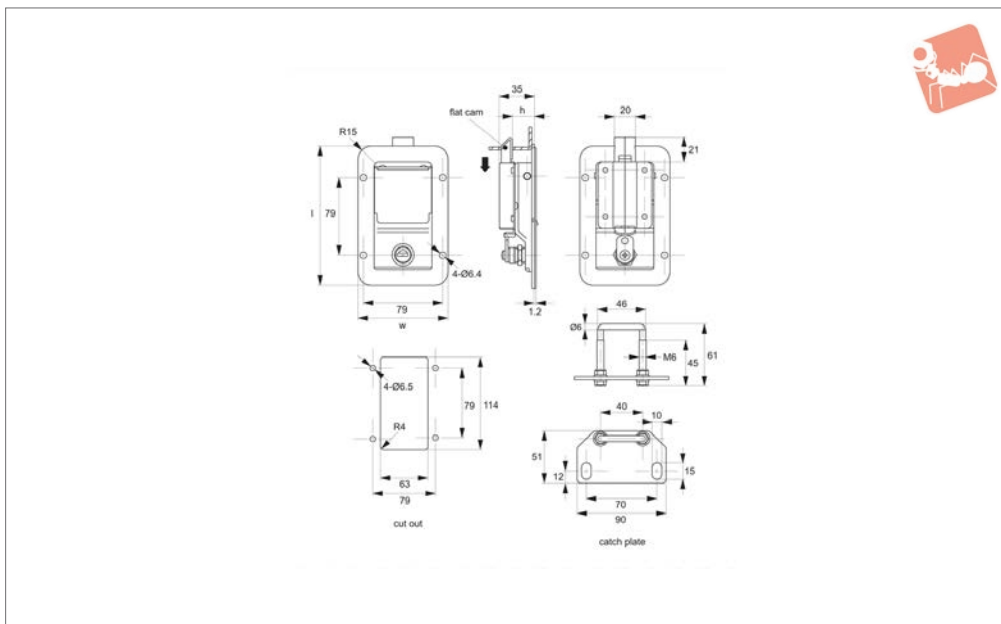
### Tips

Fully integrated lock, latch and flush fitting paddle handle, ideal for generators, compressors, electric panels and doors.

Order No.	Lock type	Type	h	l	w
B4733.AW0010	Std. Cylinder	Latch	30.5	127	101.5
B4733.AW0020	Std. Cylinder	Latch	43.0	127	101.5
B4733.AW0030	Std. Cylinder	Latch	54.0	127	101.5
B4733.AW0040	Blank - No Lock	Latch	30.5	127	101.5
B4733.AW0050	Blank - No Lock	Latch	43.0	127	101.5



## B4750



### Material

Body and Handle: stainless steel, AISI 304.  
Cylinder lock: die cast zinc, chrome plated.

**Supplied with:** Keys: two per lock.

**Not Supplied:** Catch plate: please order separately.

### Technical Notes

Hole fixing type requires 4 off M 6 screws (not supplied) for front mounting.

Spring loaded, slam action handle.

Universal left/right. For use inside of cabinet gasket.

### Tips

Fully integrated lock, latch and flush fitting paddle handle, ideal for generators, compressors, electric panels and doors.

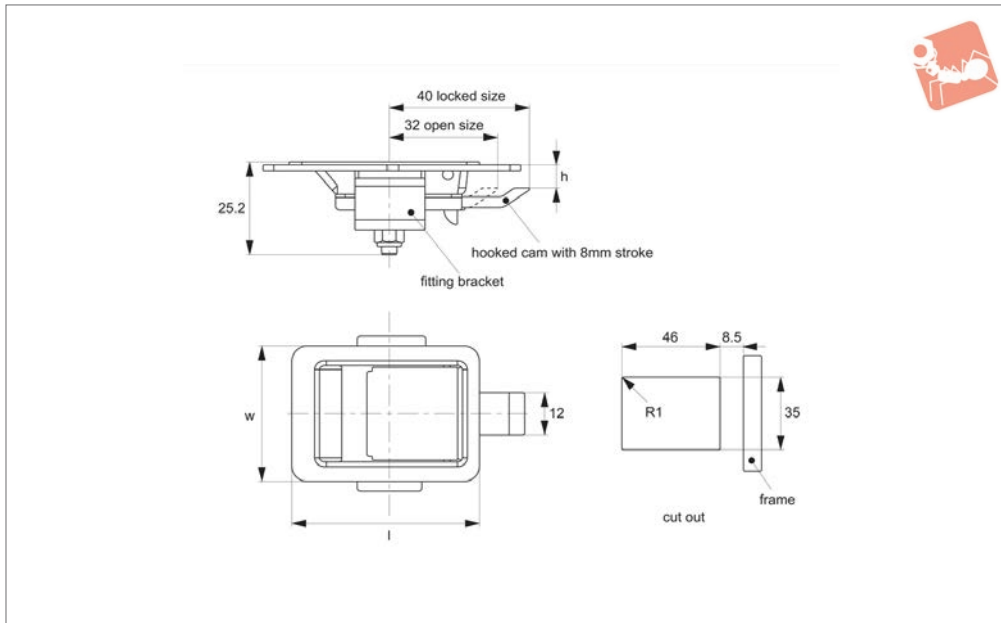
Order No.	Type	h	l	w
<b>B4750.AW0010</b>	With Lock	22	140	90
<b>B4750.AW0020</b>	Blank - No Lock	22	140	90



# Push To Close Paddle Latches

pull to open - slam action - stainless steel

## Paddle Latches



**B4752**

PADDLE LATCHES

### Material

Body and Handle: stainless steel, AISI 304.

### Technical Notes

Spring loaded, slam action handle.  
Fitting via mounting bracket. Without

secondary lock, for easy access.

Universal left/right. For use inside of cabinet gasket.

Catch plate B4752.AW0310 available as separate order item.

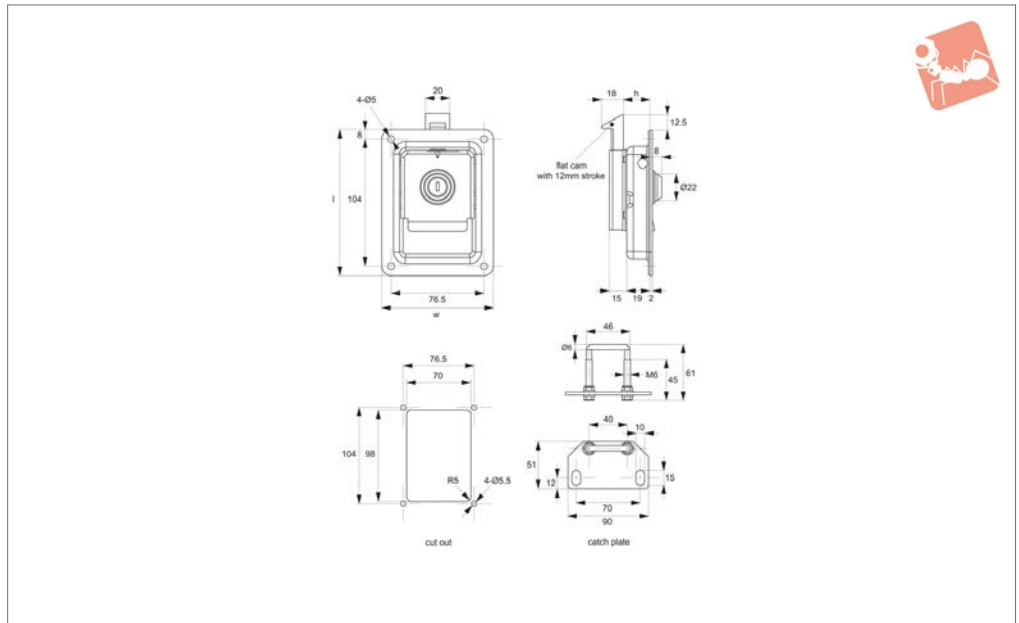
### Tips

Fully integrated lock, latch and flush fitting paddle handle, ideal for generators, compressors, electric panels and doors.

Order No.	h	l	w
B4752.AW0010	5	56	42



## B4756



### Material

Body and Handle: stainless steel, AISI 304, or zinc plated steel.

Cylinder lock: die cast zinc, chrome plated.

**Supplied with:** Keys: two per lock.

**Not Supplied:** Catch plate: please order separately.

### Technical Notes

Spring loaded, slam action handle.

Hole fixing type requires 4 off M 6 screws (not supplied) for front mounting.

Universal left/right. For use inside of cabinet gasket.

### Tips

Fully integrated lock, latch and flush fitting paddle handle, ideal for generators, compressors, electric panels and doors.

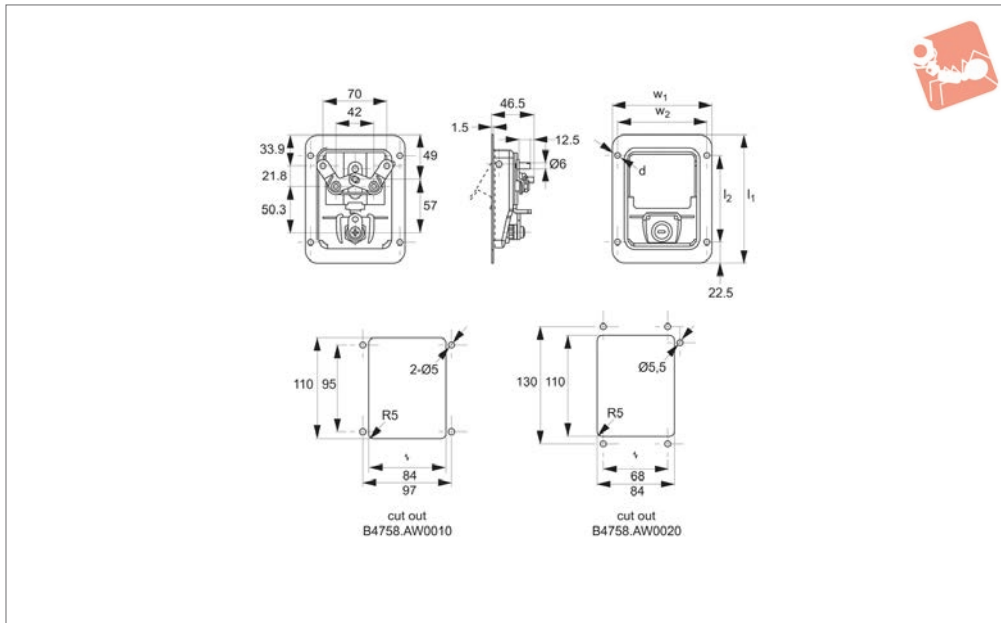
Order No.	Lock type	Material	Key type	h	l	w
<b>B4756.AW0010</b>	Std. Cylinder	Steel	Keyed Alike	22	120	92.5
<b>B4756.AW0020</b>	Std. Cylinder	Stainless Steel	-	22	120	92.5



# Push To Close Paddle Latches

pull to open - standard cylinder lock - stainless steel

## Paddle Latches



### B4758

PADDLE LATCHES

#### Material

Body and Handle: stainless steel, AISI 303.  
Cylinder lock: die cast zinc, chrome plated.

**Supplied with:** Keys: two per lock.

**Not Supplied:** Catch plate: please order separately.

#### Technical Notes

Hole fixing type requires 4 off M 5 screws (not supplied) for front fixing.

Universal left/right. For use inside of cabinet gasket.

#### Tips

Fully integrated lock, latch and flush fitting paddle handle, ideal for generators, compressors, electric panels and doors.

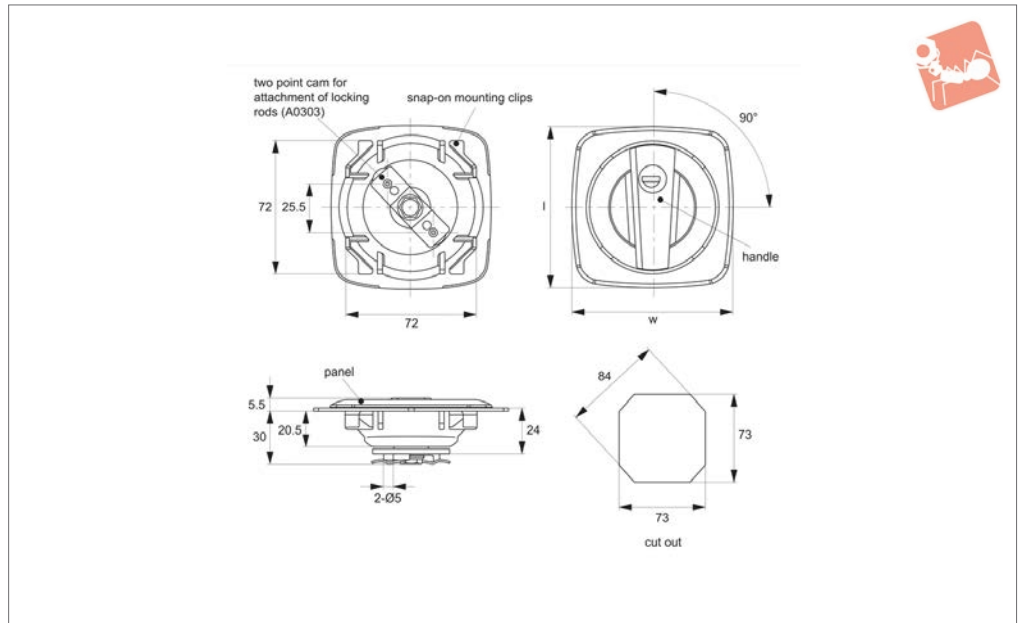
Order No.	Lock type	Type	Key type	d	l <sub>1</sub>	l <sub>2</sub>	w <sub>1</sub>	w <sub>2</sub>
B4758.AW0010	Std. Cylinder	Latch	Keyed Alike	5.5	140	95	108	97
B4758.AW0020	Std. Cylinder	Latch	Keyed Alike	5.0	146	130	146	68



PADDLE LATCHES



### B4800



#### Material

Body and Handle: Polyamide plastic (PA), black.

Cylinder lock: die cast zinc, chrome plated.

**Supplied with:** Keys: two per lock.

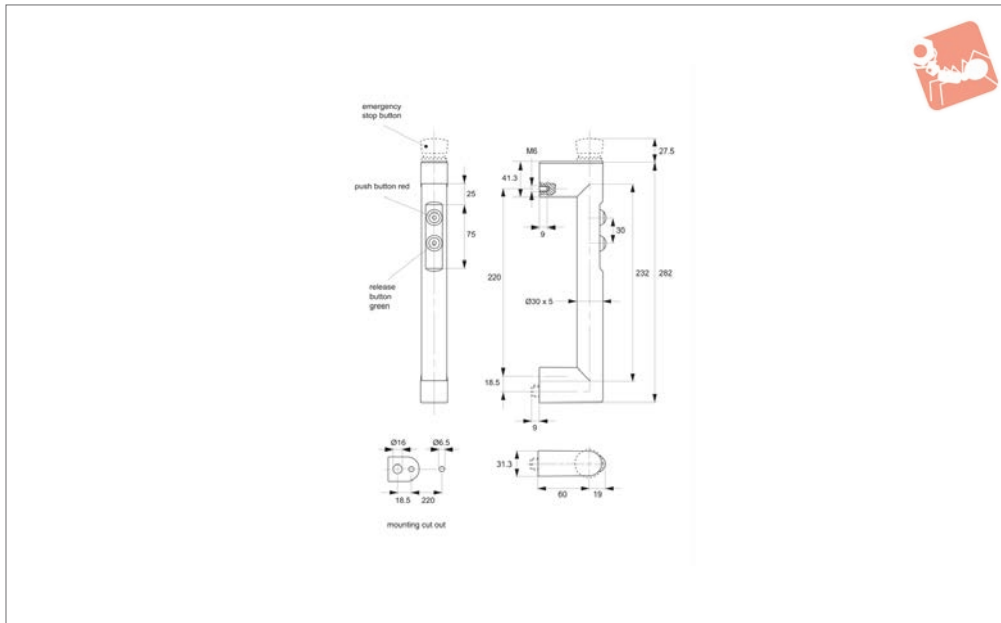
#### Technical Notes

Easy snap on fix mounting. Make cut out in panel as shown, and simply push in handle, snap on clips will spring back to securely mount handle.

Attach multi-point latching rods (A0303) to achieve two-point latching of cupboards, cabinets or enclosures. Suitable for panel thickness 1 - 1.5mm.

Order No.	Lock type	Key type	l	w
B4800.AW0010	Std. Cylinder	Keyed Alike	88.5	88.5





### B8100

ELECTRONIC HANDLES

#### Material

**Type one:** Handle shank: glass reinforced polyamide PA 6, black.

Handle tube: Ø30x5mm of aluminium ALMgSi 0,5, black anodised, fine ground.  
Switch Functions: none, blank handle.

**Type two:** Handle shank: glass reinforced polyamide PA 6, black.

Handle tube: Ø30x5mm of aluminium ALMgSi 0,5, black anodised, fine ground.  
Switch functions: 2 push buttons.

**Type three:** Handle shank: glass reinforced polyamide PA 6, black.

Handle tube: Ø30x5mm of aluminium ALMgSi 0,5, black anodised, fine ground.  
Switch functions: two push buttons, 1

emergency stop button.

#### Technical Notes

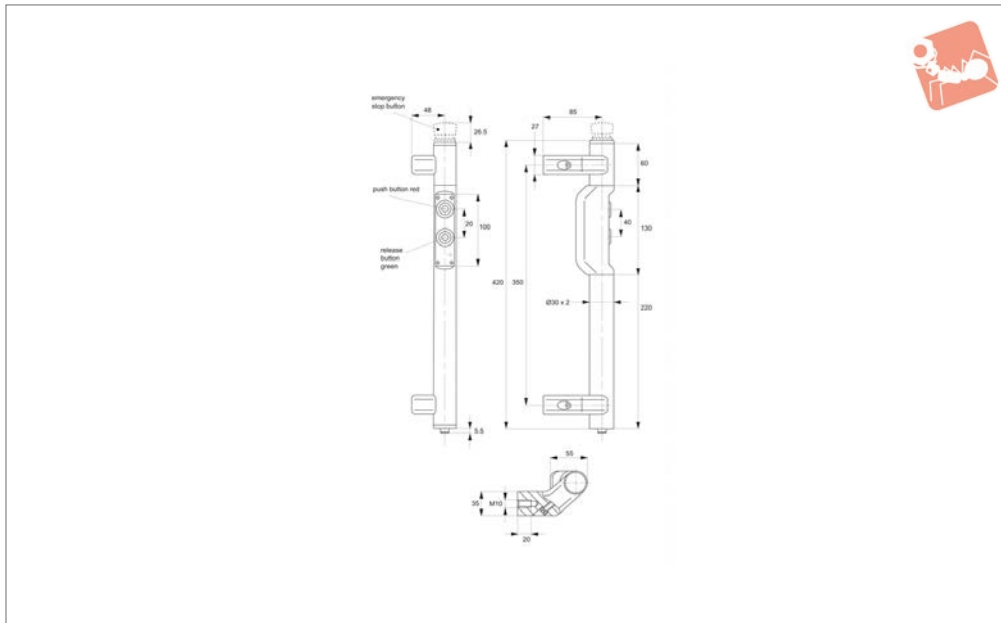
When used with connection cable no. B8880, conforms to IP65 rating.  
Use with door solenoid lock no. B8900 for full electronic locking of machine guards and panels.

Order No.	Type	Switch function	Coupling	a	l
<b>B8100.AC0018</b>	Type One	No Switch - Blank, to Act as a Counter Handle	-	220	282
<b>B8100.AC0318</b>	Type Two	2 Push Buttons	8-pole (M12x1)	220	282
<b>B8100.AC0418</b>	Type Three	2 Push Buttons, 1 Emergency Stop Button	12-pole (M12x1)	220	282



**B8100 Functional handle – electronic**

Wixroyd part no.	B8100.AC0318	B8100.AC0418
Description	2 push buttons	2 push buttons, 1 emergency stop button
Switching voltage – emergency stop button	-	1-42 V AC/DC 100 mA
Switching voltage – push buttons	24V AC/DC 1A	24V AC/DC 1A
Operating voltage LED	24 U DC	24 U DC
Connection type	8 pole, M12 x 1	12 pole, M12 x 1
Connector assignment (plug side view)		
Emergency stop buttons (2 NC contacts)	N/A	
Push button red (1 changeover contact)		
Push button green (2 NC contacts)		



### B8120

ELECTRONIC HANDLES

#### Material

**Type one:** Handle shank: aluminium, vibration ground natural colour anodized.

Handle tube: Ø35x2,0mm of stainless steel 1.4301.

Switch functions: none, blank handle.

**Type two:** Handle shank: aluminium, vibration ground natural colour anodized.

Handle tube: Ø35x2,0mm of stainless steel 1.4301.

Switch functions: 2 push buttons.

**Type three:** Handle shank: aluminium, vibration ground natural colour anodized.

Handle tube: Ø35x2,0mm of stainless steel 1.4301.

Switch functions: two push buttons, 1

emergency stop button.

#### Technical Notes

When used with connection cable no. B8880, conforms to IP65 rating.

Use with door solenoid lock no. B8900 for full electronic locking of machine guards and panels.

Order No.	Type	Coupling Type	Switch function	Hand
B8120.AC0000	Type One	-	No Switch - Blank, to Act as Counter Handle.	Right
B8120.AC0102	Type Two	8-pole (M12x1)	2 Push Buttons	Right
B8120.AC0105	Type Three	12-pole (M12x1)	2 Push Buttons, 1 Emergency Stop Button	Right
B8120.AC0122	Type Two	8-pole (M12x1)	2 Push Buttons	Left
B8120.AC0125	Type Three	12-pole (M12x1)	2 Push Buttons, 1 Emergency Stop Button	Left



**B8120 Functional handle – electronic**

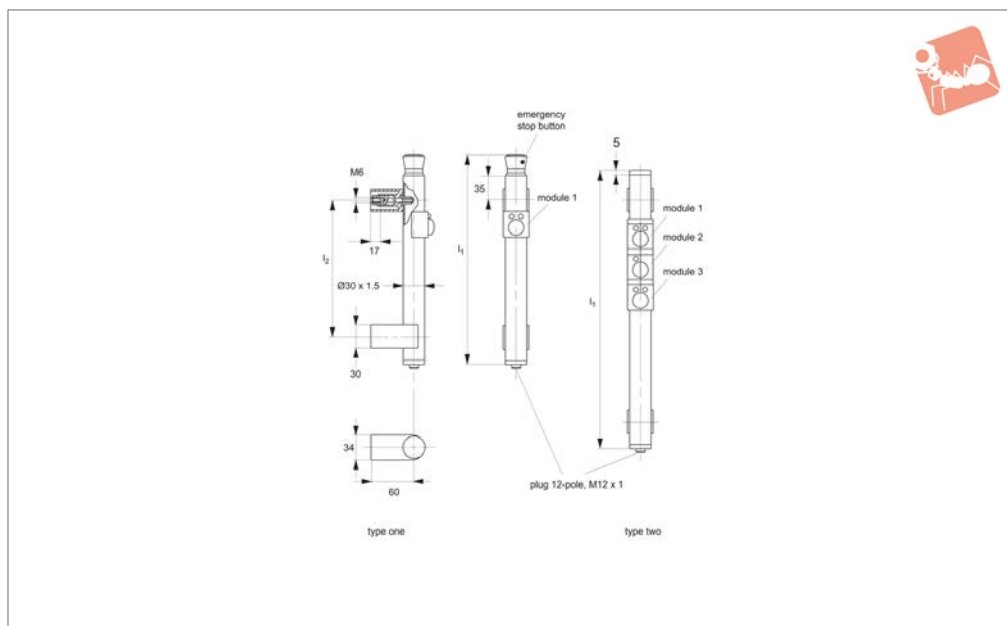
Wixroyd part no.	B8120.AC0102 & .AC0102	B8120.AC0105 & .AC0125
Description	2 push buttons	2 push buttons, 1 emergency stop button
Switching voltage – emergency stop button	N/a	1-42 V AC/DC 100 mA
Switching voltage – push buttons	24V AC 1A	24V AC 1A
Operating voltage LED	24V DC	24 DC
Connection type	8 pole, M12 x 1	12 pole, M12 x 1
Connector assignment (plug side view)		
Emergency stop buttons (2 NC contacts)	N/A	
Push button red (1 changeover contact)		
Push button green (2 NC contacts)		



# Functional Handle - Electronic

configurable controls

## Electronic Handles



### B8320

ELECTRONIC HANDLES

#### Material

**Type one:** Handle shank: extruded aluminium, AlMgSi 0,5, black anodized with matte gloss finish.

Handle tube: Ø30x1,5mm of aluminium AlMgSi 0,5, black anodised with matte gloss finish or from stainless steel 1.4301, precision ground.

Tube ends: reinforced polyamide PA 6, black.

Switch functions: 1 push button, 1 emergency stop button.

**Type two:** Handle shank: extruded aluminium, AlMgSi 0,5, black anodized with matte gloss finish.

Handle tube: Ø30x1,5mm of aluminium AlMgSi 0,5, black anodised with matte gloss finish or from stainless steel 1.4301, precision ground.

Tube ends: reinforced polyamide PA 6,

black.

Switch Functions: 3 push buttons/modules.

#### Technical Notes

When used with connection cable no. B8880, conforms to IP65 rating.

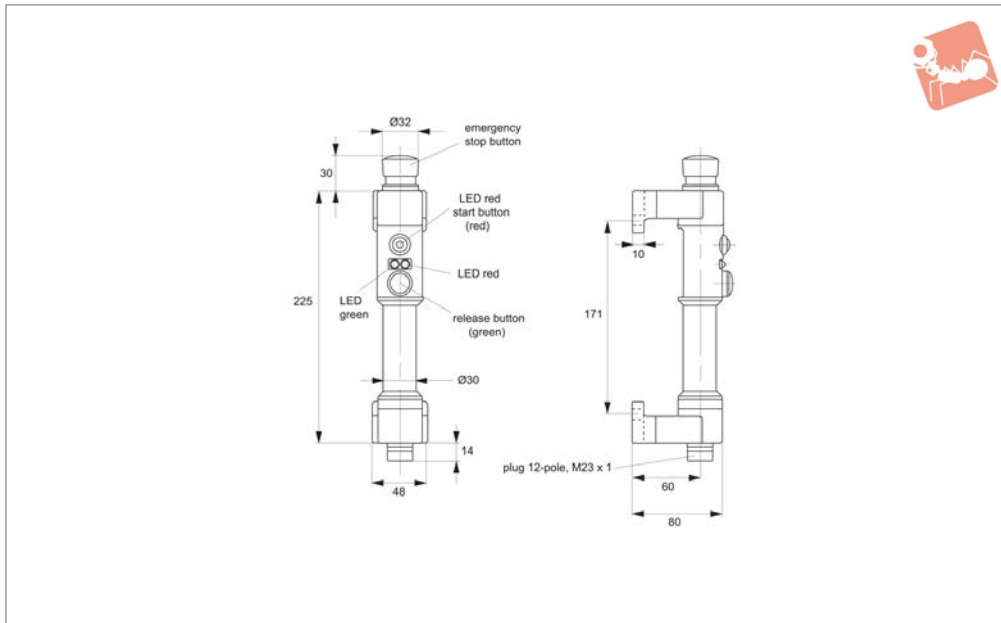
Use with door solenoid lock no. B8900 for full electronic locking of machine guards and panels.

Order No.	Lock type	Coupling Type	Material	l <sub>1</sub>	l <sub>2</sub>
<b>B8320.AC0304</b>	Type One	12-pole (M12x1)	Aluminium	416	300
<b>B8320.AC0337</b>	Type One	12-pole (M12x1)	Stainless	416	300
<b>B8320.AC0404</b>	Type Two	12-pole (M12x1)	Aluminium	484	400
<b>B8320.AC0437</b>	Type Two	12-pole (M12x1)	Stainless	484	400



**B8320 Functional handle – electronic**

Wixroyd part no.	B8320.AC0304 & .AC0337	B8320.AC0404 & .AC0437
Description	2 push buttons	2 push buttons, 1 emergency stop button
Switching voltage	24V DC max. 30V AC/36V DC max. 1.5A	24V DC max. 30V AC/36V DC max. 1.5A
Operating voltage LED	24V DC +/-15%	24V DC +/-15%
Connection type	12 pole, M12 x 1	12 pole, M12 x 1
Connector assignment (plug side view)		
Emergency stop buttons		N/A
Push button 1 – Module 1		
Push button 2 – Module 2	N/A	
Push button 3 – Module 3	N/A	
Module inscription	N/A	All three modules



### B8380

ELECTRONIC HANDLES

#### Material

**Type one:** Handle shank: high strength glass fibre reinforced polyamide PA 6, black.  
 Handle tube: turned POM (polyoxymethylene).  
 Switch functions: none, blank handle.  
**Type two:** Handle shank: high strength

glass fibre reinforced polyamide PA 6, black.  
 Handle tube: turned POM (polyoxymethylene).  
 Switch functions: 1 release button, 1 start button, 1 dual channel emergency stop button (2 NC contacts).

#### Technical Notes

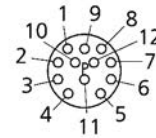
When used with connection cable no. B8880, conforms to IP65 rating.  
 Use with door solenoid lock no B8900 for full electronic locking of machine guards and panels.

Order No.	Type	Coupling Type	Switch function	a	l
B8380.AC0018	Type One	-	No Switch - Blank, to Act as Counter Handle	171	225
B8380.AC0518	Type Two	12-pole (M23x1)	1 Release Button, 1 Start Button, @1 Dual Channel Emergency Stop Button	171	225

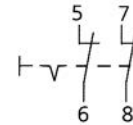


<b>Wixroyd part no.</b>	<b>B8380.AC0578</b>
Description	Type two
Switching voltage	Type two
Operating voltage LED	24V DC +/- 15%
Connection type	12-pole (M23 x 1)

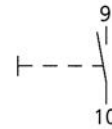
Connector assignment  
(plug side view)



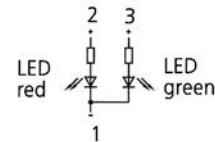
Emergency stop button  
(2 NC contacts)



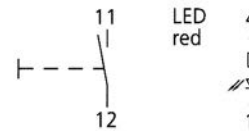
Release button (no contact)



LED's



Start button







# Coupling Cable

for functional handles B8100 to B8400

## Electronic Handles



**B8880**

ELECTRONIC HANDLES

**Material**

Cable spot welded to coupling.

**Technical Notes**

Ready made cable for use with our func-

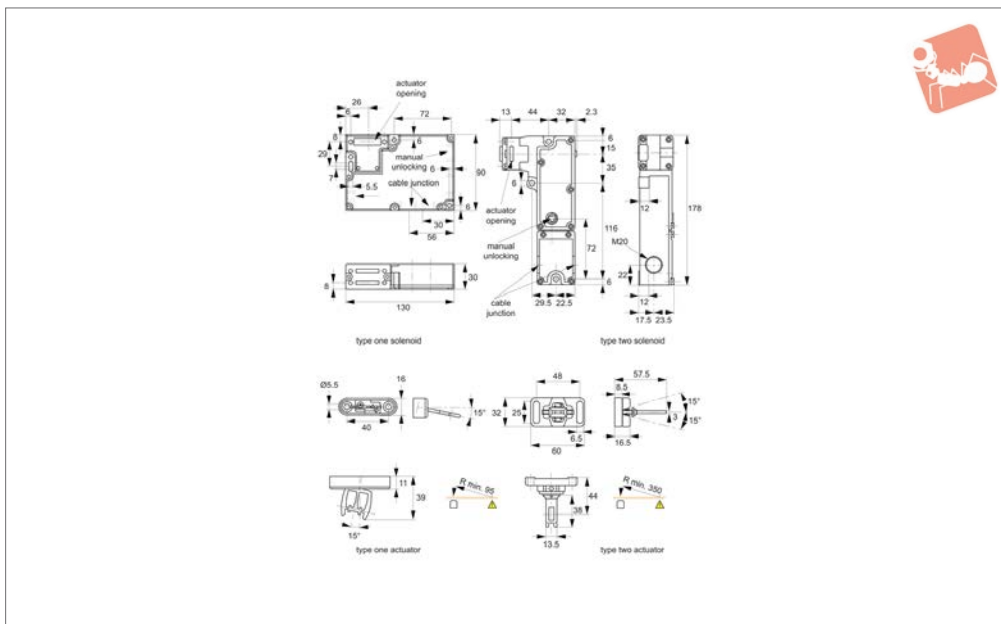
tional handle range B8100 to B8380.

Please review individual handles for more suitable coupling types.

Order No.	Coupling Type	Thread	Cable length m
<b>B8880.AC0080</b>	8-Pole	M12x1	5
<b>B8880.AC0082</b>	8-Pole	M12x1	10
<b>B8880.AC0120</b>	12-Pole	M12x1	5
<b>B8880.AC0122</b>	12-Pole	M12x1	10
<b>B8880.AC0125</b>	12-Pole	M23x1	10



## B8900



### Material

**Type one:** Enclosure: glass fibre reinforced plastic.

Actuator and locking bolt: stainless steel 1.4301.

Contact material: silver.

**Type two:** Enclosure: glass fibre reinforced plastic.

Actuator and Locking Bolt: zinc plated steel/zinc die cast, chromated.

Contact material: silver.

### Technical Notes

The switching element and actuator of the solenoid interlock are functionally separated and are only brought together on opening or closing of the door/enclosure. A latching bolt provides connection and prevents the actuator being disconnected from interlock.

### Important Notes

Two interlock modes are available:

- Power to Unlock: spring pressure of the latching bolt prevents the actuator from being disconnected. When the de-interlocking coil is energised, the interlock is released and the enclosure can be opened.
- Power to Lock: operation is the reverse of the Power to Unlock mode.

Order No.	Type	Components	Modes of interlock
B8900.AC0105	Type One	Solenoid Interlock	Power to Unlock
B8900.AC0110	Type One	Solenoid Interlock	Power to Lock
B8900.AC0120	Type One	Actuator	-
B8900.AC0205	Type Two	Solenoid Interlock	Power to Unlock
B8900.AC0210	Type Two	Solenoid Interlock	Power to Lock
B8900.AC0220	Type Two	Actuator	-

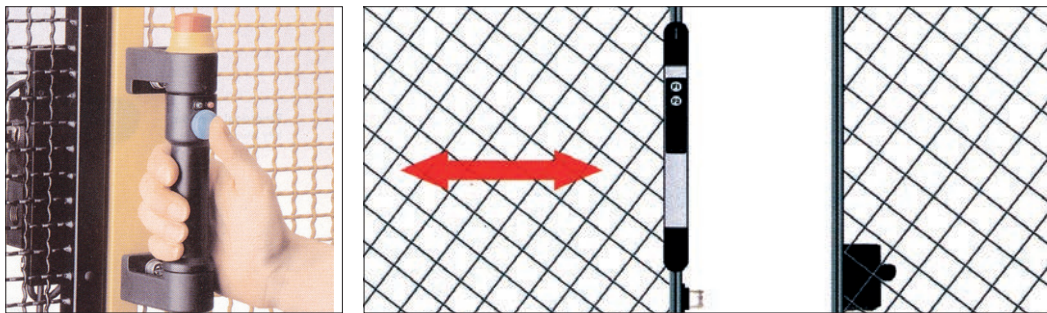


Wixroyd's functional handles **B8100 - B8900** provide the ideal combination of ergonomics, productivity and safety for machine guards, enclosures or wherever there is a machine/operator interface.

Wixroyd functional handles incorporate switching, control and monitoring functions exactly at the point they are required - namely the enclosure handle. Functional handles are mounted on the moveable part of the door/enclosure, while the additional solenoid interlock, part no. **B8900**, which enables locking and monitoring of the door condition, is mounted on the static part of the door/enclosure. All models in the series have been designed on the same basic principles and can incorporate the following functions:

- **Simple operation;** all buttons and controls on the handles are simply activated with the thumb allowing for control and opening of the guard in just one movement.
- **Deactivation of the dead lock;** each handle has a button to deactivate and unlock the dead lock, two LED's indicate whether the door is locked or unlocked.
- **Safety;** machine start and stop buttons can optionally be integrated into the handle, as well as a machine emergency stop button.
- **Modular design;** handle **B8320** has been designed on a modular basis allowing for individual programming of handle functions for your own application
- **Electromechanical locking;** in combination with our solenoid interlocking devices **B8900** our functional handles provide an electromechanical locking system for both revolving and push doors.

Basic non-functional handles available in same design to act as counter-handles.



**Programmable**  
Robust functional handles with separately programmable elements to suit any application.



**Functional**  
Functional handle with inbuilt emergency stop with 2 NC and 1 NO contacts for PLC systems.



**Ergonomic**  
Simple and ergonomic mechanically locking handles, with electrical monitoring function; for use on cabinets and enclosures.



**Inter-locking**  
Solenoid interlocks can be used to bolt doors or enclosures mechanically, with switching contacts enabling the monitoring of the lock/enclosure status.



**Release button**  
Activating the release button deactivates the dead lock and opens the safety door. Two LED's above the release button indicate to the operator whether the door is locked or unlocked.



**Emergency stop**  
Optional emergency stop button allows the operator to bring the entire machine to a stand still. The machine can then be resumed by re-setting the handle via a twist of the button. Conforms to EN418.

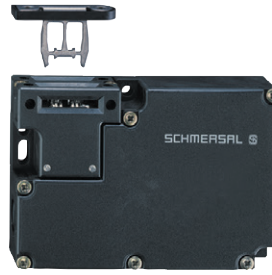


**Start button**  
Machine start buttons can be included in the handle to initiate the machine.



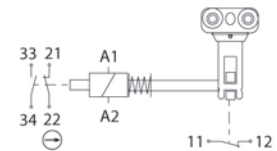
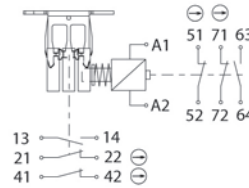
**Positioning**  
The start button can be positioned either above the door release button or when no emergency stop button is used, can be positioned on the top of the handle.

## Features

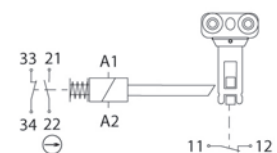
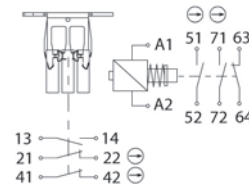


Wixroyd part no.	B8900.AC01xx	B8900.AC02xx
Standards	IEC/EN 60947-5-1, BG-GS-ET-19, IEC 60947-5-1	IEC/EN 60947-5-1, BG-GS-ET-19, IEC 60947-5-1
Enclosure	Glass-fibre reinforced thermoplastic	Glass-fibre reinforced thermoplastic
Actuator and locking bolt	Stainless steel 1.4301	Zinc-plated steel/zinc diecast, chromated
Contact material	Silver	Silver
Protection class	IP67	IP67
Termination	Screw clamps	Screw clamps
Cable section	Max. 1.5mm <sup>2</sup> (inc. conductor ferrules)	Max. 1.5mm <sup>2</sup> (inc. conductor ferrules)
Cable entry	4 x M16 x 1,5	4 x M20 x 1,5
Rated impulse withstand voltage U <sub>i</sub>	4 kV	2.5 kV
Rated insulation voltage U <sub>1</sub>	250 V	250 V
Thermal test current I <sub>the</sub>	10 A	10 A
Rated operating current /voltage i <sub>e/Ve</sub>	2,5 A/24 VDC	2,5 A/24 VDC
Rated control voltage U <sub>s</sub>	24 VAC/DC	24 VDC
Ambient temperature	-25° C... to +60° C	0° C... to +50° C
Holding force F max.	2000 N	1750 N
Actuating head	3 actuator openings	Can be repositioned by 4 x 90°
Manual release	For manual unlocking by triangular key. Emergency exit device and emergency release optional available	For manual unlocking by triangular key. Emergency release optional available

Power to unlock



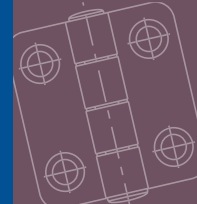
Power to lock



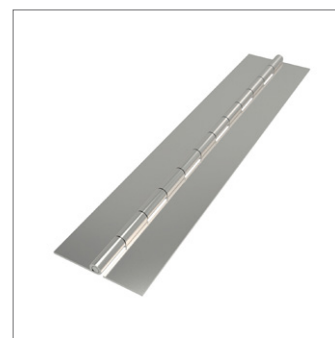
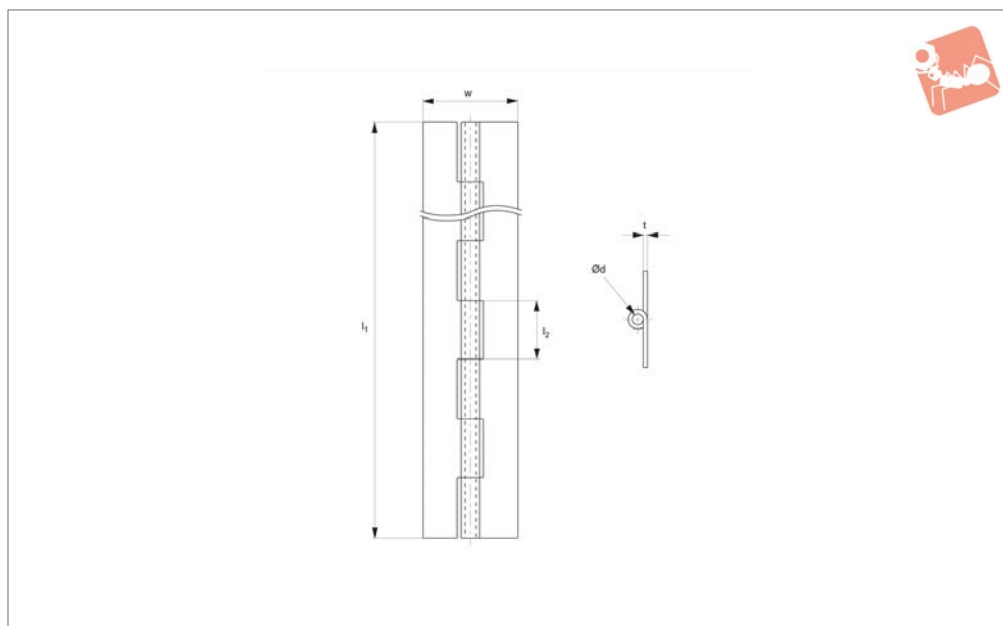


# Surface Mount - Piano Hinges

weld-on - stainless steel



Hinges



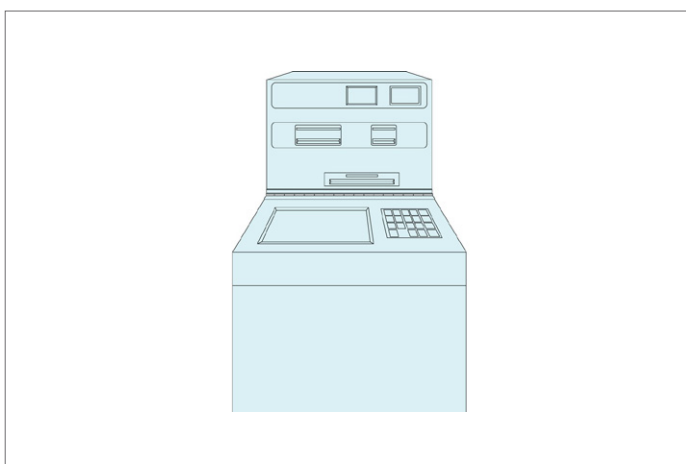
**S0050**

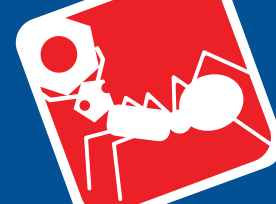
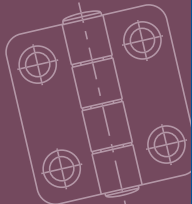
HINGES

## Material

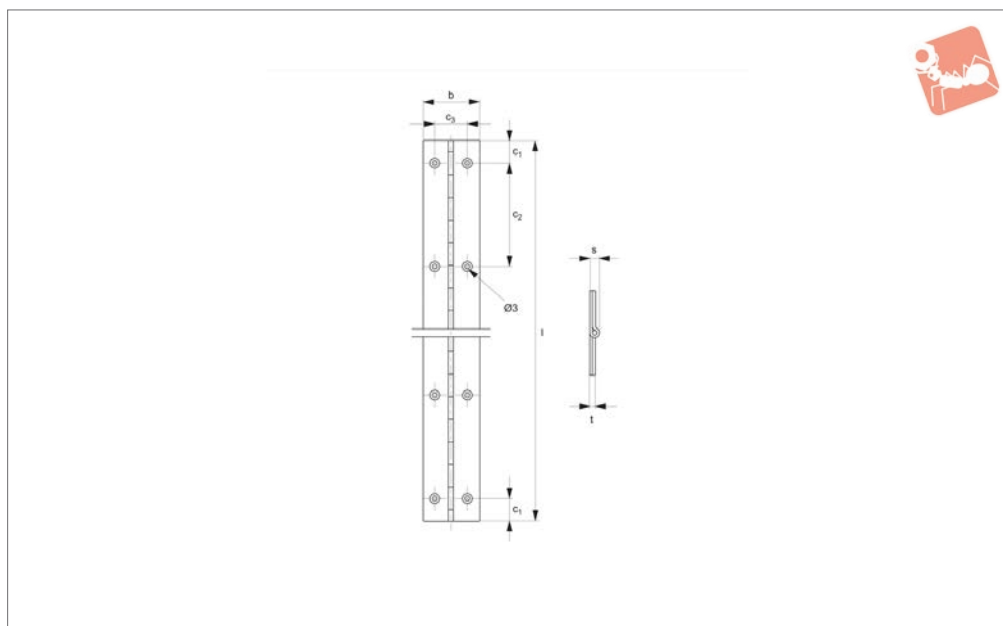
Stainless steel, AISI 304, satin finish.

Order No.	$l_1$	$l_2$	t	w	d	Weight g
S0050.AC0202	300	12.5	0.8	25	2.6	66
S0050.AC0206	1000	12.5	0.8	25	2.6	222
S0050.AC0302	300	12.5	0.8	32	2.6	80
S0050.AC0306	1000	12.5	0.8	32	2.6	272
S0050.AC0326	600	20.0	1.5	32	3.5	330
S0050.AC0330	1000	20.0	1.5	32	3.5	574
S0050.AC0382	1000	20.0	1.5	38	3.5	615
S0050.AC0502	1000	20.0	1.5	50	3.5	759
S0050.AC0552	1000	50.0	2.0	50	5.0	774





### S0100



#### Material

Stainless steel, AISI 304, satin finish.

Order No.	b	c <sub>1</sub>	c <sub>2</sub>	c <sub>3</sub>	l	s	t	Holes	Weight g
S0100.AC0324	30	10.5	43.5	17	240	3.5	1.2	12	65
S0100.AC0330	30	10.5	46.3	17	300	3.5	1.2	14	80
S0100.AC0336	30	15.0	47.0	17	360	3.5	1.2	16	95
S0100.AC0345	30	14.5	60.0	17	450	3.5	1.2	16	120
S0100.AC0360	30	14.0	63.3	17	600	3.5	1.2	20	190
S0100.AC0390	30	14.0	62.3	17	900	3.5	1.2	30	280

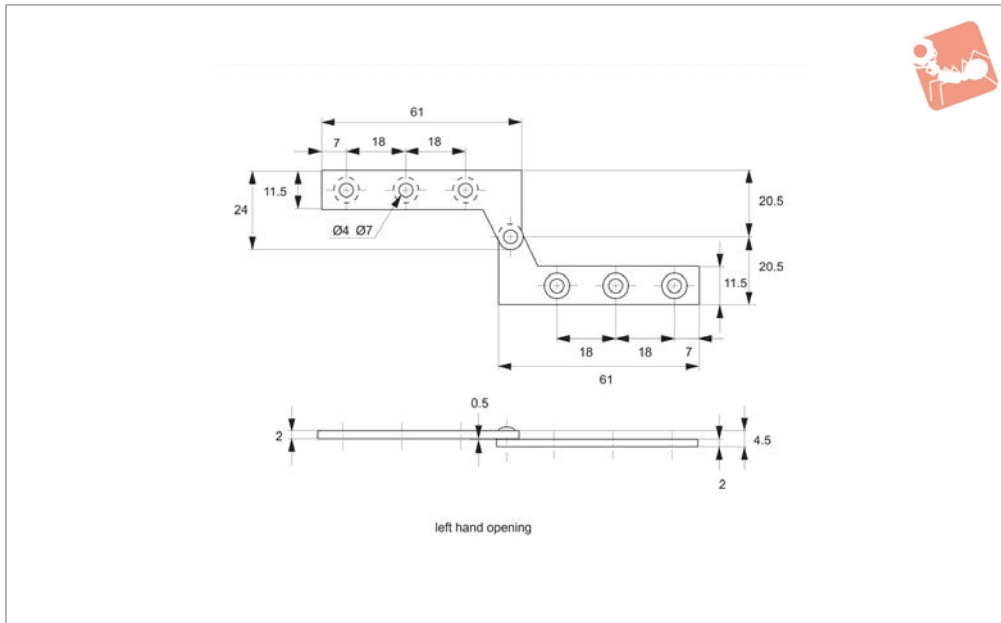


# Surface Mount - Pivot Hinges

inset - stainless steel



## Hinges



**S0200**

HINGES

### Material

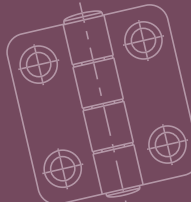
Stainless steel, AISI 430, satin finish.

### Technical Notes

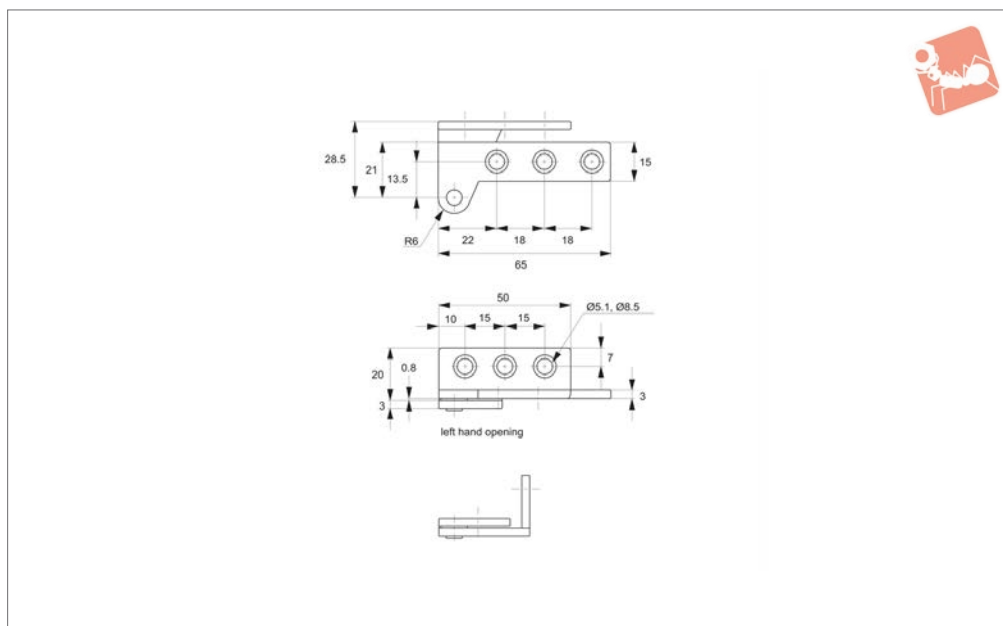
Max. door size: 450w x 700h x 21mm thick.

Max. door weight: 2,6Kg per hinge pair.

Order No.	Type	Weight g
S0200.AC0110	Left	22
S0200.AC0010	Right	22



### S0220



#### Material

Stainless steel, AISI 430, satin finish.

#### Technical Notes

Max. door size: 450w x 700h x 21mm thick.  
 Max. door weight: 2,6Kg per hinge pair.

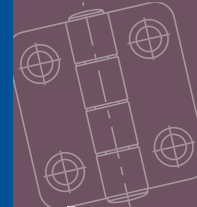
Order No.	Type	Weight g
S0220.AC0110	Left	55
S0220.AC0010	Right	55



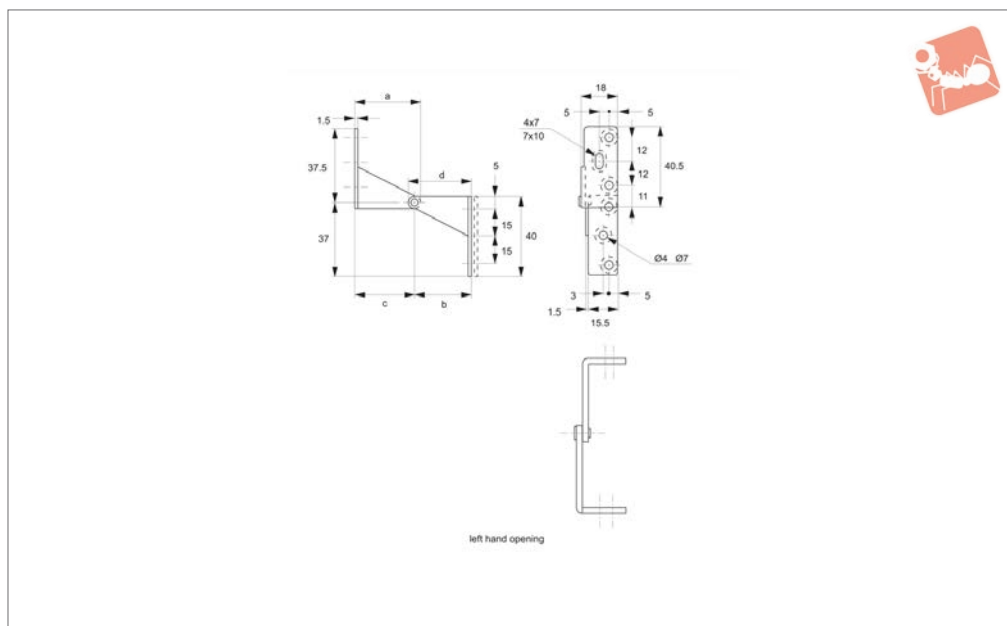


# Surface Mount - Pivot Hinges

overlay - stainless steel



## Hinges



### S0240

HINGES

#### Material

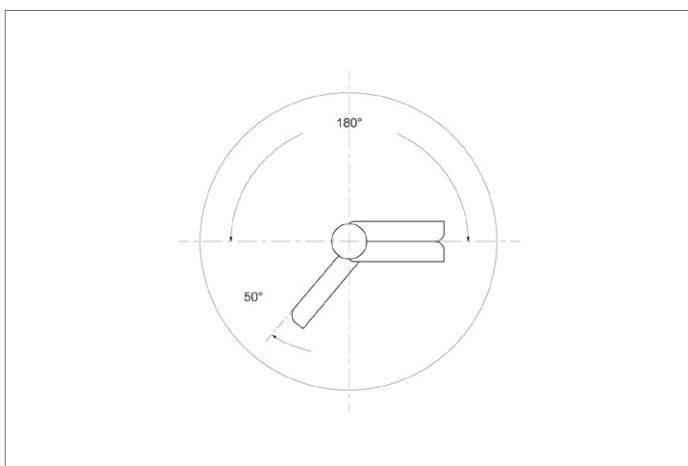
Stainless steel, AISI 430, satin finish.

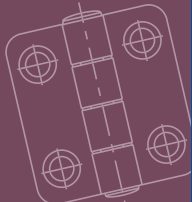
#### Technical Notes

Max. door size: 300w x 700h x 21mm thick.

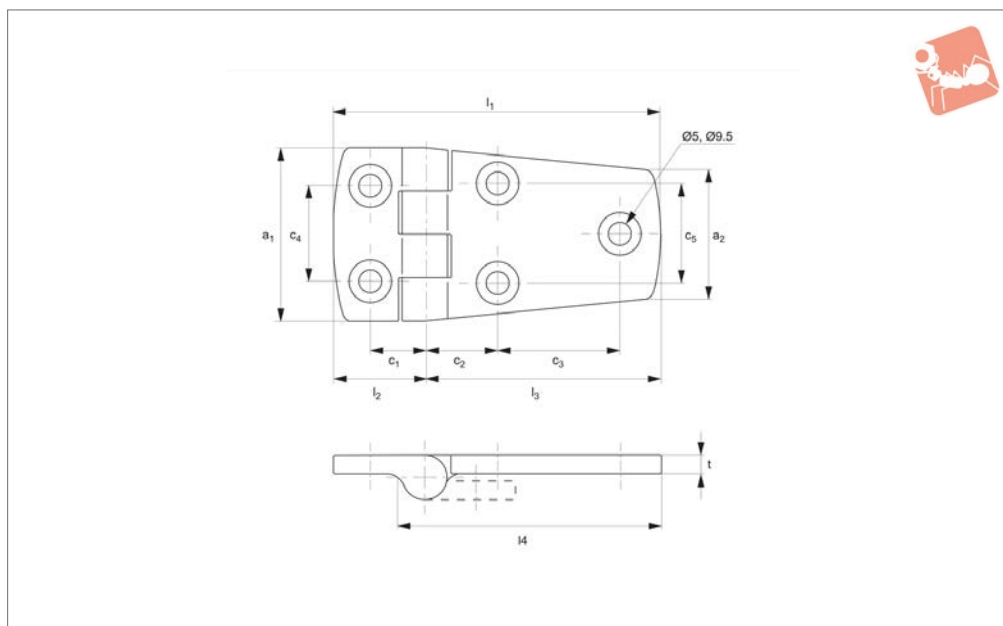
Max. door weight: 1,8Kg per hinge pair.

Order No.	Type	a	b	c	d	Weight g
S0240.AC0110	Left	34	28	30.5	31	23
S0240.AC0010	Right	34	28	30.5	31	23
S0240.AC0120	Left	28	22	24.5	25	21
S0240.AC0020	Right	28	22	24.5	25	21





### S0460



#### Material

Stainless steel, AISI 316, satin finish.

#### Technical Notes

Max. door size: 450w x 700h x 21mm thick.

Max. door weight: 4,0Kg per hinge pair.

Order No.	a <sub>1</sub>	a <sub>2</sub>	c <sub>1</sub>	c <sub>2</sub>	c <sub>3</sub>	c <sub>4</sub>	c <sub>5</sub>	l <sub>1</sub>	l <sub>2</sub>	l <sub>3</sub>	l <sub>4</sub>	t	Weight g
S0460.AC0005	38	28	12	13.5	16.5	21	20	58	20	38	42	4	70
S0460.AC0007	38	28	12	16.0	27.0	22	21	72	20	52	57	4	85

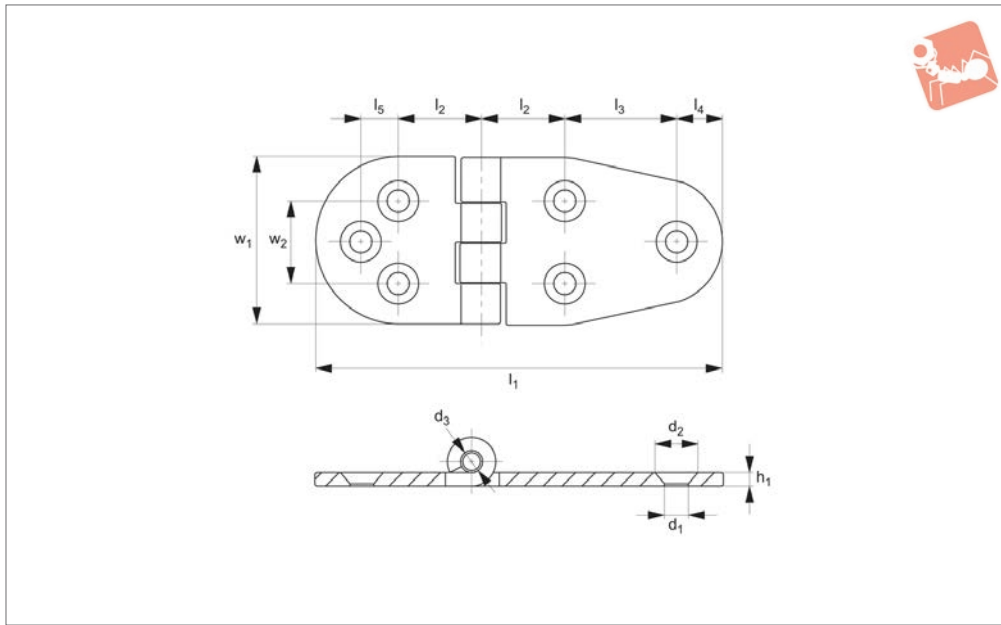


# Surface Mount - Leaf Hinges

screw mount - stainless steel



## Hinges



**S0462**

HINGES

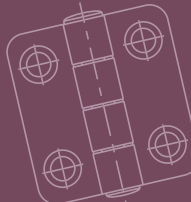
### Material

Hinge: stainless steel.

### Technical Notes

Opening angle 180°.

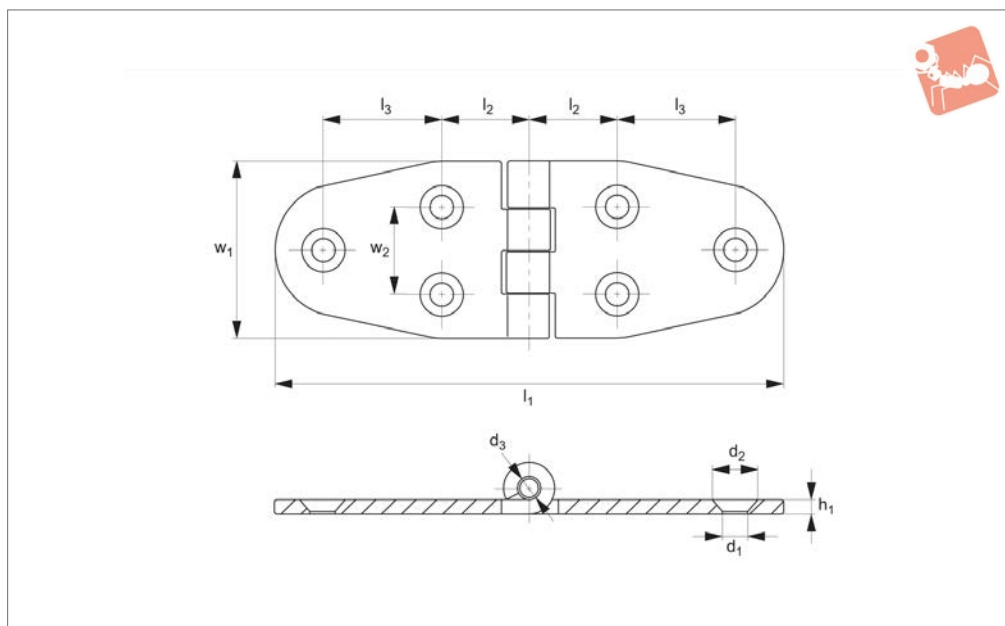
Order No.	$h_1$	$l_1$	$l_2$	$l_3$	$l_4$	$l_5$	$w_1$	$w_2$	$F_x$ N	$F_y$ N	$d_1$	$d_2$	$d_3$
<b>S0462.AW0040</b>	2.5	99.5	20	27	12.7	9	40	20	520	600	5.6	10	5



HINGES



**S0464**



**Material**

Hinge: stainless steel.

**Technical Notes**

Opening angle 180°.

Order No.	$h_1$	$l_1$	$l_2$	$l_3$	$w_1$	$w_2$	$F_x$ N	$F_y$ N	$d_1$	$d_2$	$d_3$
S0464.AW0040	2.5	119.5	20	27	40	20	520	600	5.6	10	5

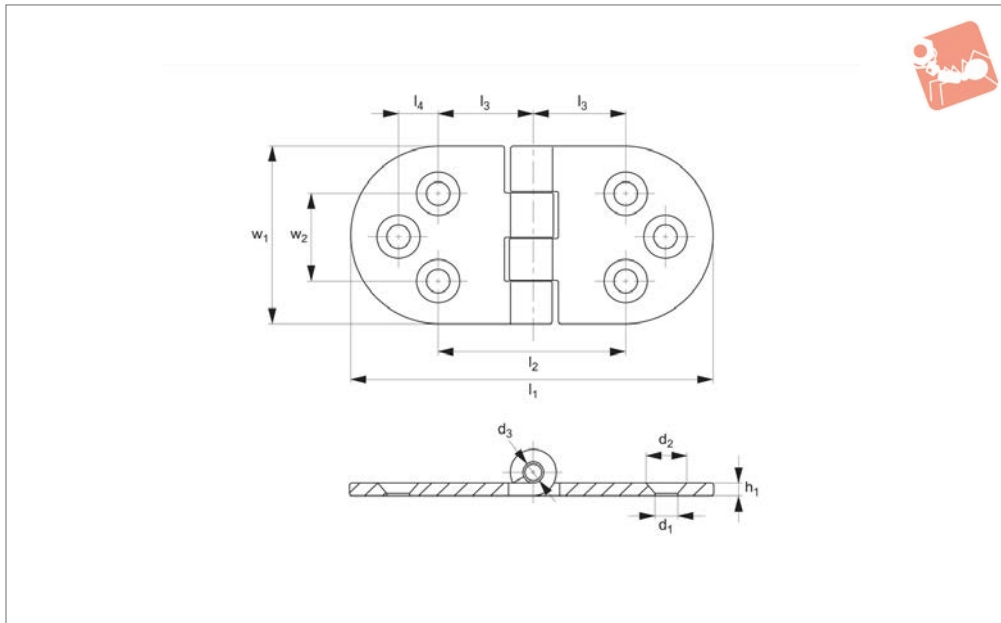


# Surface Mount - Leaf Hinges

screw mount - stainless steel



## Hinges



**S0466**

HINGES

### Material

Hinge: stainless steel.

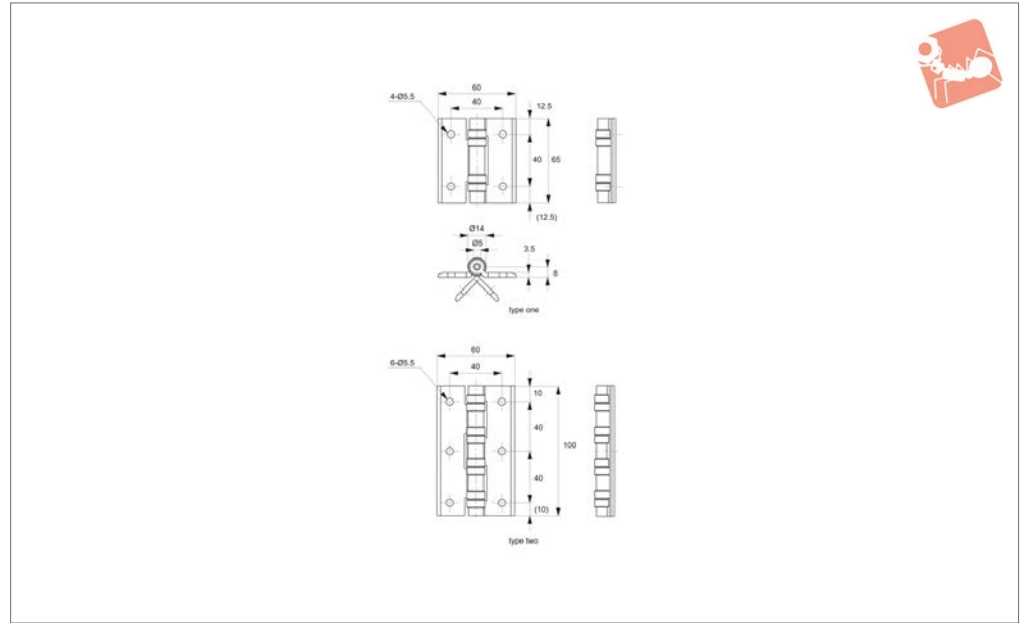
### Technical Notes

Opening angle 180°.

Order No.	$h_1$	$l_1$	$l_2$	$l_3$	$l_4$	$w_1$	$w_2$	$F_x$ N	$F_y$ N	$d_1$	$d_2$	$d_3$
<b>S0466.AW0040</b>	2.5	79.5	58	20	9	40	20	520	600	5.6	10	5



### S0600



#### Material

Body: aluminium.  
 Spacer: polyacetal.  
 Pin: stainless steel, AISI 304.

#### Technical Notes

Due to unique spacers, hinge generates no friction powder and is ideal for semiconductor rooms, clean rooms, medical and

food processing applications.

Order No.	Type	Load/pair kg max.	Weight g
S0600.AC0065	Type one	8	60
S0600.AC0100	Type two	13	100

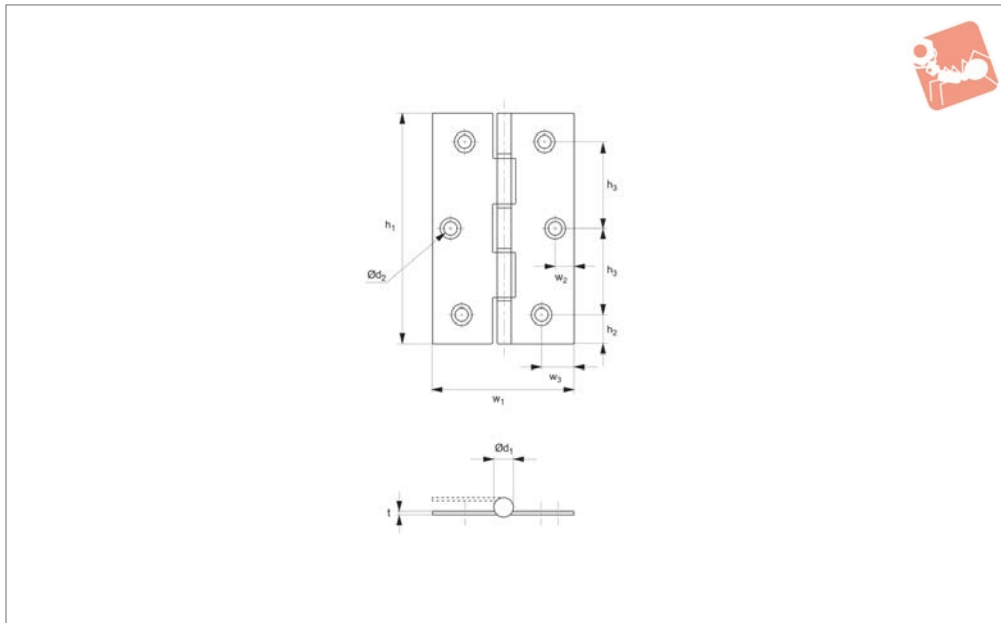


# Surface Mount - Leaf hinges

with polyacetal bushing - screw mount - **stainless**



## Hinges



**S0700**

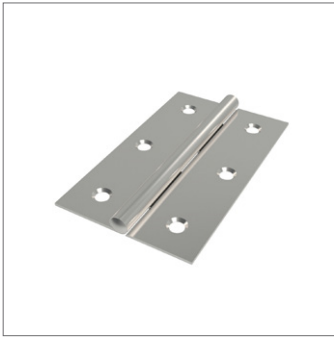
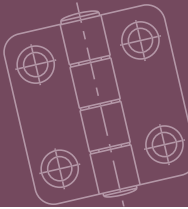
HINGES

**Material**

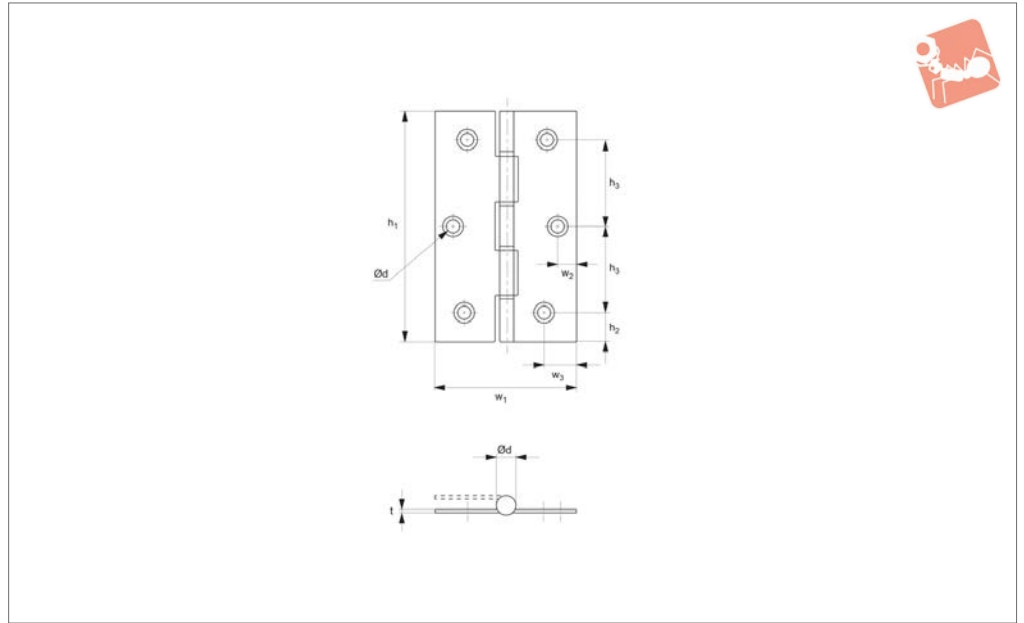
Body: stainless steel, AISI 304, polished finish.

Bushing: polyacetal.

Order No.	$h_1$	$h_2$	$h_3$	$t$	$w_1$	$w_2$	$w_3$	$d_1$	$d_2$	No. of knuckles	No. of mounting holes	Weight g
<b>S0700.AC0005</b>	51	7.5	36	1.3	39.0	-	7.0	6.2	4.2	3	4	27.4
<b>S0700.AC0006</b>	64	7.0	25	1.3	42.5	6.0	8.0	6.2	5.0	5	6	36.5
<b>S0700.AC0007</b>	76	9.0	29	1.5	50.0	7.0	9.0	7.4	5.2	5	6	59.5
<b>S0700.AC0008</b>	89	10.5	34	1.7	56.5	7.5	10.5	9.0	5.4	5	6	91.6
<b>S0700.AC0010</b>	102	9.0	28	1.8	70.0	9.0	14.0	9.5	6.0	5	8	132.5
<b>S0700.AC0012</b>	127	11.0	35	1.9	82.0	10.5	16.0	11.5	6.0	5	8	231.5



**S0720**



**Material**

Stainless steel, AISI 304, polished finish.

Order No.	$h_1$	$h_2$	$h_3$	$t$	$w_1$	$w_2$	$w_3$	$d_1$	$d_2$	No. of knuckles	No. of mounting holes	Weight g
S0720.AC0005	51	7.5	36	0.8	34.5	-	6.5	4.8	4.4	5	4	15.2
S0720.AC0006	64	8.0	24	0.9	40.0	5.5	9.0	5.0	4.2	5	6	23.8
S0720.AC0007	76	10.0	28	1.0	46.0	7.5	10.0	6.0	4.5	5	6	37.8
S0720.AC0008	89	9.5	35	1.2	56.0	8.0	12.0	7.0	5.5	5	6	63.6
S0720.AC0010	102	10.5	27	1.4	66.5	9.0	12.0	8.0	5.5	5	8	96.4
S0720.AC0012	127	11.0	35	1.5	82.0	10.0	17.0	9.0	5.4	5	8	161.5



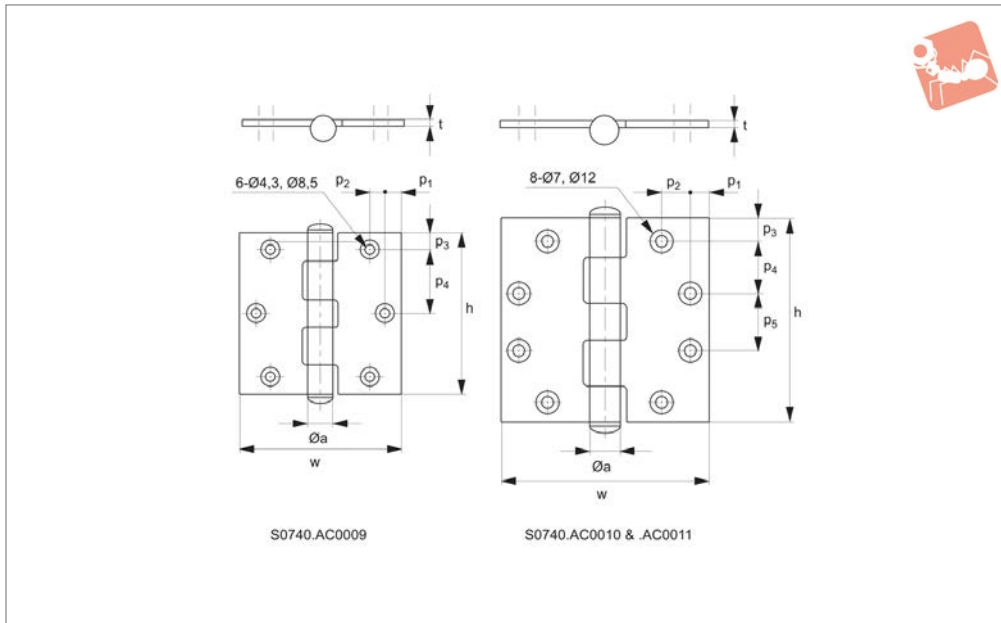


# Surface Mount - Leaf Hinge

screw mount - stainless steel



## Hinges



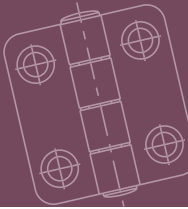
### S0740

HINGES

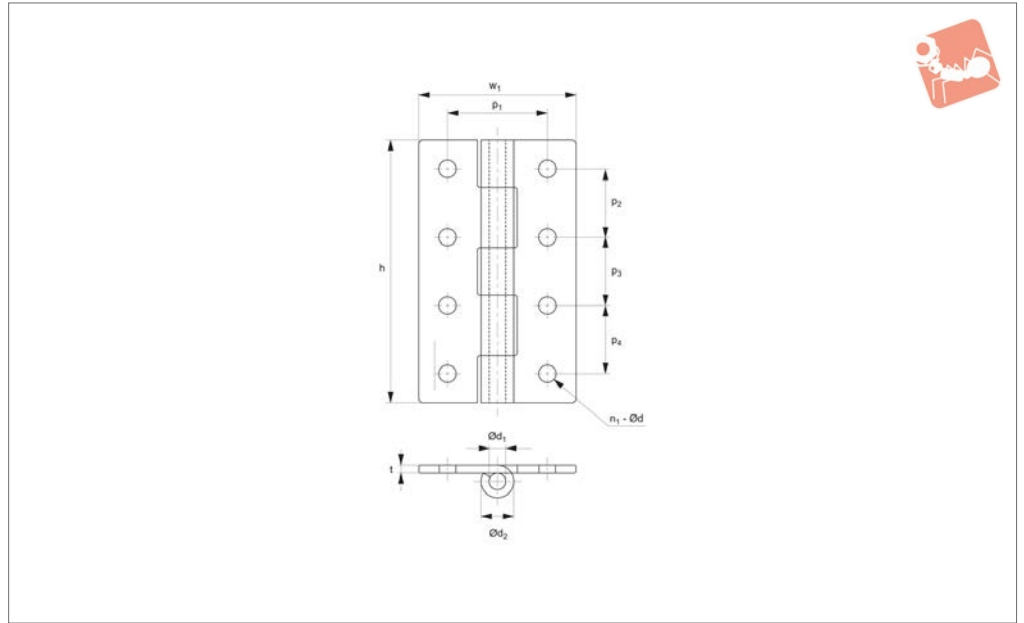
#### Material

Stainless steel, AISI 304, satin finish.

Order No.	a	h	p <sub>1</sub>	p <sub>2</sub>	p <sub>3</sub>	p <sub>4</sub>	p <sub>5</sub>	t	w	Load/pair kg	Weight g
S0740.AC0009	14.0	89.0	9.1	8.0	9.1	35.4	-	3.0	89.0	25	145
S0740.AC0010	14.8	101.6	9.5	9.5	13.0	25.5	24.6	3.4	101.6	40	195
S0740.AC0011	14.8	114.3	9.5	15.9	12.9	28.6	31.3	3.4	114.3	45	420



**S0780**



**Material**

Stainless steel, AISI 304, polished finish.

Order No.	h	n <sub>1</sub>	n <sub>2</sub>	p <sub>1</sub>	p <sub>2</sub>	p <sub>3</sub>	p <sub>4</sub>	t	w	d <sub>1</sub>	d <sub>2</sub>	d <sub>3</sub>	Load/pair kg	Weight g
S0780.AC0040	40	4	3	22	26	-	-	1.5	35	3.2	3.0	6.3	6	25
S0780.AC0050	50	4	3	22	34	-	-	1.5	35	4.3	3.0	6.3	8	30
S0780.AC0065	65	6	5	30	23	23	-	2.0	50	4.3	4.5	8.8	13	64
S0780.AC0075	75	6	5	30	27	27	-	2.0	50	5.3	4.5	8.8	15	74
S0780.AC0090	90	6	5	38	35	35	-	3.0	60	6.4	6.0	12.3	25	180
S0780.AC0100	100	8	5	38	26	26	26	3.0	60	6.4	6.0	12.3	30	195

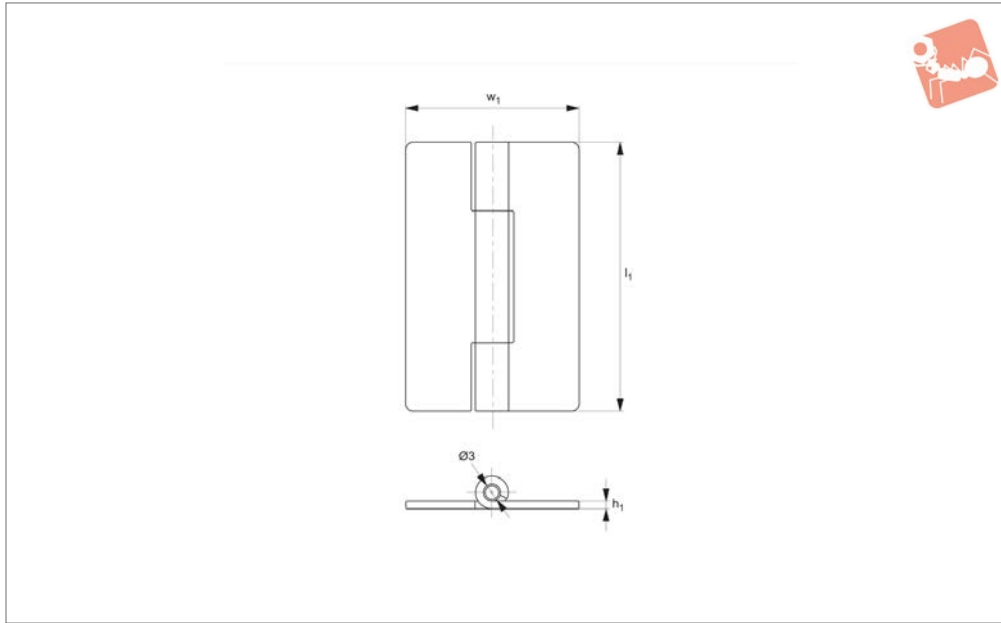


# Surface Mount - Leaf Hinges

weld-on - stainless steel



## Hinges



**S0730**

HINGES

### Material

Hinge: polished stainless steel.

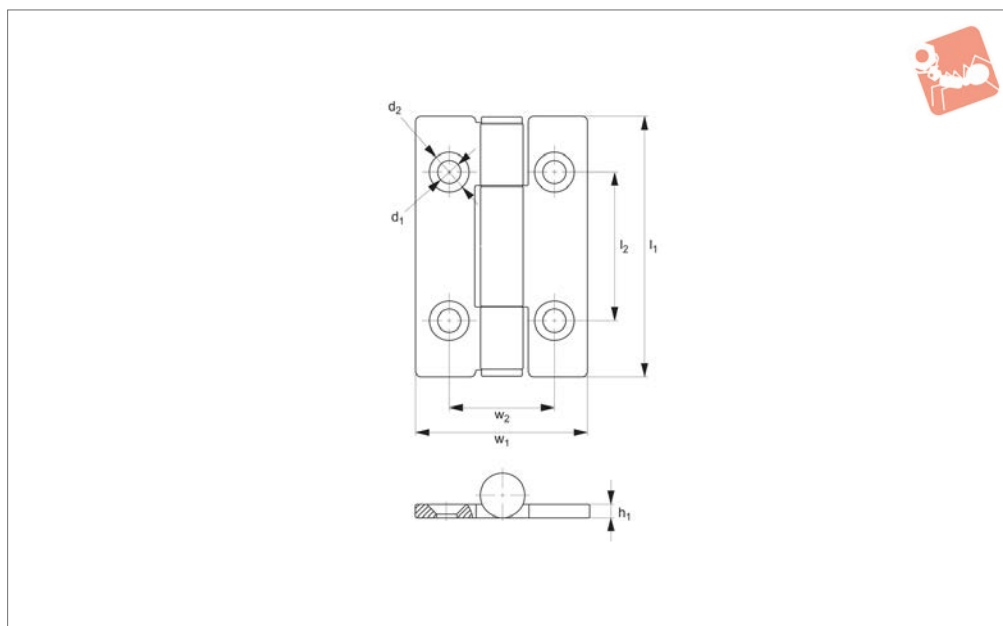
### Technical Notes

Opening angle 180°.

Order No.	$h_1$	$l_1$	$w_1$	$F_x$ $N$	$F_y$ $N$
S0730.AW0050	1.5	50	32	516	665



**S0732**



**Material**

Hinge and pin: electrolytic stainless steel.

**Technical Notes**

Opening angle 180°.

Order No.	$h_1$	$l_1$	$l_2$	$w_1$	$w_2$	$F_x$ N	$F_y$ N	$d_1$	$d_2$
S0732.AW0050	2	50.8	30	32	20	520	800	4.5	7.5

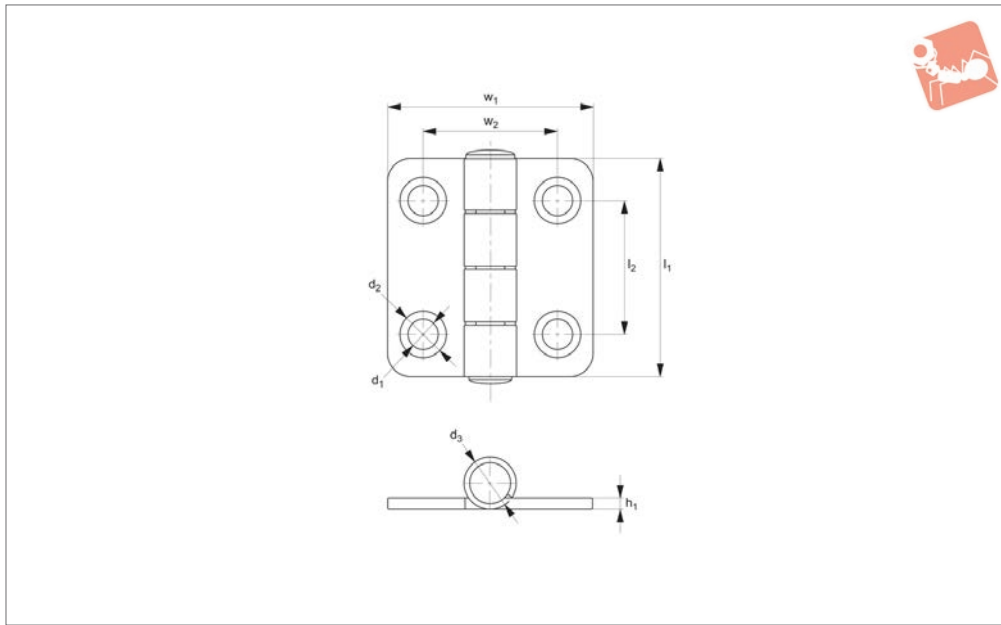


# Surface Mount - Leaf Hinges

screw mount - stainless steel



## Hinges



**S0738**

HINGES

### Material

Hinge: polishing stainless steel.

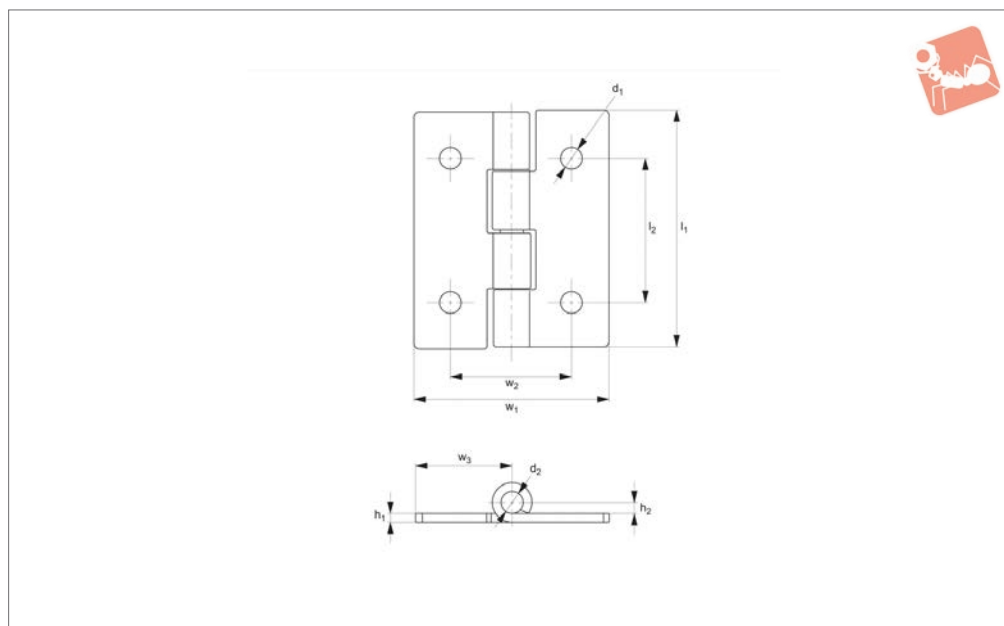
### Technical Notes

Opening angle 180°.

Order No.	$h_1$	$l_1$	$l_2$	$w_1$	$w_2$	$F_x$ N	$F_y$ N	$d_1$	$d_2$	$d_3$
<b>S0738.AW0037</b>	2	37	22.5	35	23	745	1090	5.2	8	9



**S0741**



**Material**  
304 stainless steel.

**Technical Notes**  
Opening angle 180°.

Order No.	$h_1$	$h_2$	$l_1$	$l_2$	$w_1$	$w_2$	$w_3$	$F_x$ N	$F_y$ N	$d_1$	$d_2$
S0741.AW0040	1.2	1.8	40	24	32	20	16	340	600	3.2	3.5

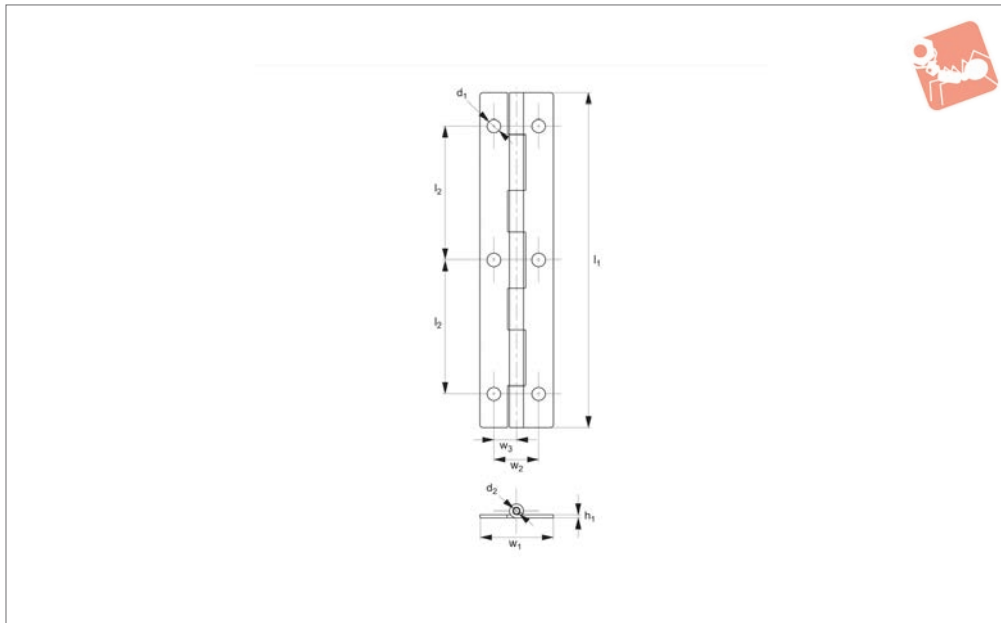


# Surface Mount - Leaf Hinges

screw mount - steel



## Hinges



**S0742**

HINGES

### Material

Hinge: steel, zinc plated

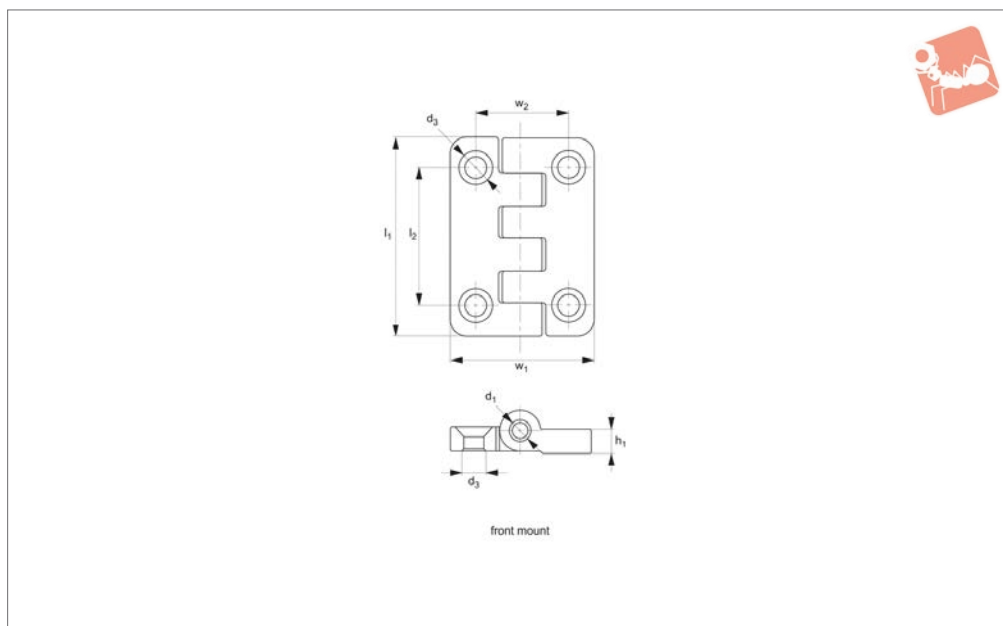
### Technical Notes

Opening angle 180°.

Order No.	$h_1$	$l_1$	$l_2$	$w_1$	$w_2$	$w_3$	$F_x$ N	$F_y$ N	$d_1$	$d_2$
<b>S0742.AW0150</b>	1.5	150	60	32	20	10	840	1380	6	3.5



### S0750



#### Material

Hinge: die cast zinc, chrome plated or black powder coated.

Pin: steel

#### Technical Notes

Opening angle 180°.

Order No.	Finish	Mount	$h_1$	$l_1$	$l_2$	$w_1$	$w_2$	$F_x$ kN	$F_y$ kN	$d_1$	$d_3$
S0750.AW0020	Chrome	Front	7	54	38	40	26	1.5	1.8	7	Ø6
S0750.AW0320	Black Coated	Front	7	54	38	40	26	1.5	1.8	7	Ø6
S0750.AW0030	Chrome	Front	6	50	30	76	56	1.125	1.49	7	Ø6
S0750.AW0330	Black Coated	Front	6	50	30	76	56	1.125	1.490	7	Ø6



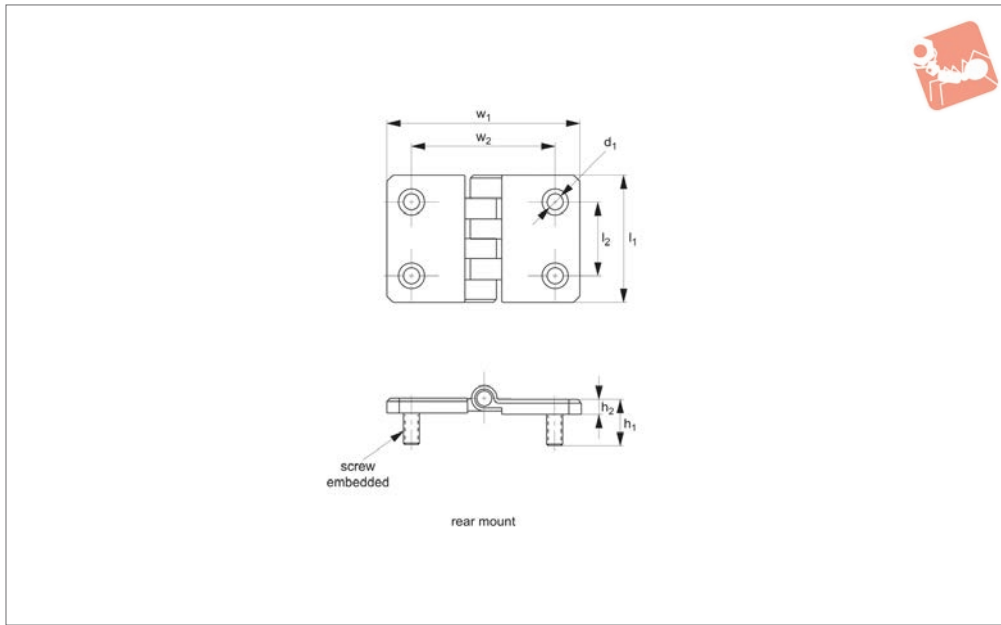


# Surface Mount - Leaf Hinges

integrated stud - zinc



## Hinges



**S1136**

HINGES

**Material**

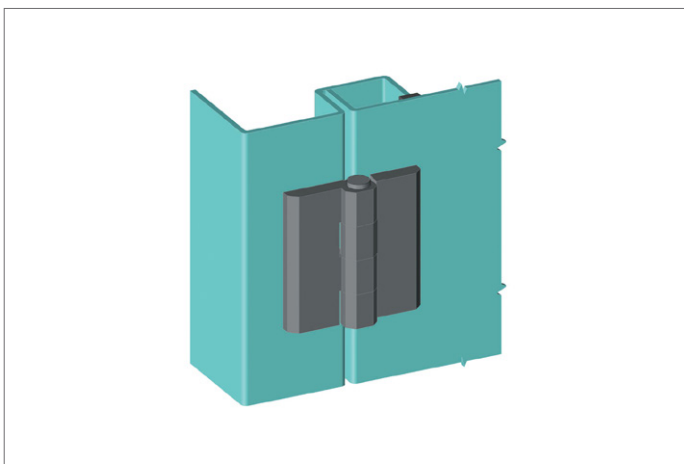
Hinge: die cast zinc, chrome plated or black powder coated.

Pin: steel

**Technical Notes**

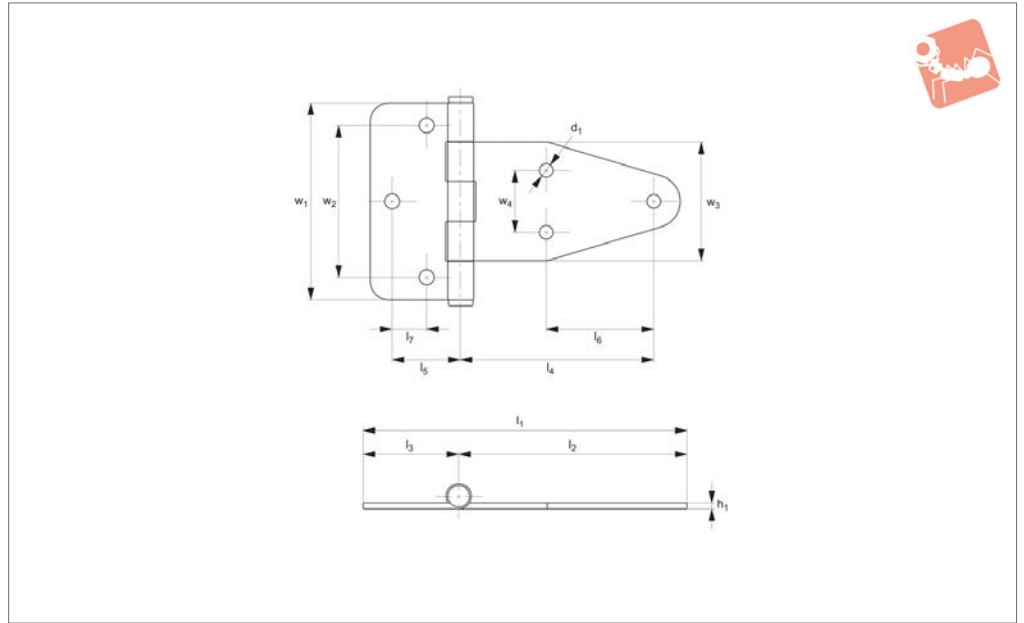
Opening angle 180°.

Order No.	Finish	Mount	$h_1$	$h_2$	$l_1$	$l_2$	$w_1$	$w_2$	$F_x$ kN	$F_y$ kN	$d_1$
S1136.AW0020	Chrome	Rear	20.5	7	54	38	40	26	1.5	1.8	M6
S1136.AW0320	Black Coated	Rear	20.5	7	54	38	40	26	1.5	1.8	M6
S1136.AW0030	Chrome	Rear	21.0	6	50	30	76	56	1.125	1.49	M6
S1136.AW0330	Black Coated	Rear	21.0	6	50	30	76	56	1.125	1.49	M6





**S0818**



**Material**

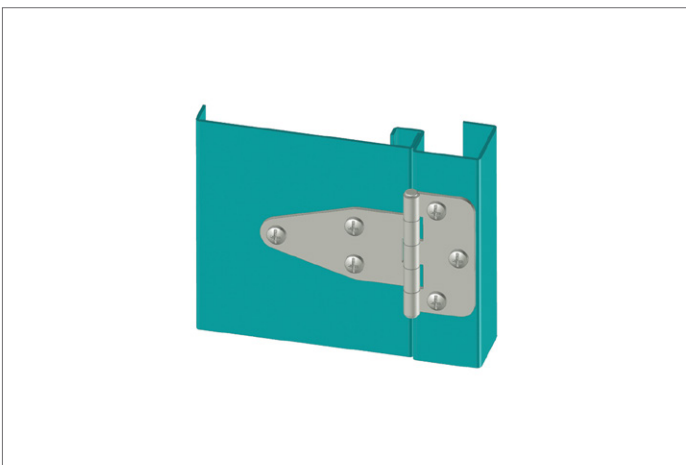
Hinge: stainless steel AISI 304, polished.

doors, as well as electrical panels and covers. Opening angle 180°.

**Technical Notes**

For plain/flush mounted, isolated heavy

Order No.	$h_1$	$l_1$	$l_2$	$l_3$	$l_4$	$l_5$	$l_6$	$l_7$	$w_1$	$w_2$	$w_3$	$F_x$ N	$F_y$ N	$d_1$
S0818.AW0010	2.5	137	97	40	85.5	30	48	15	85	65	57	750	850	6.5



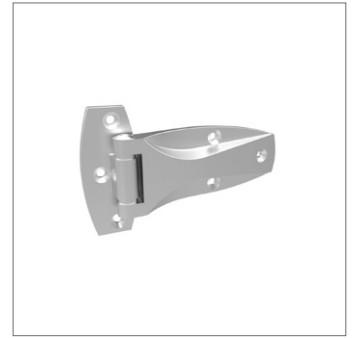
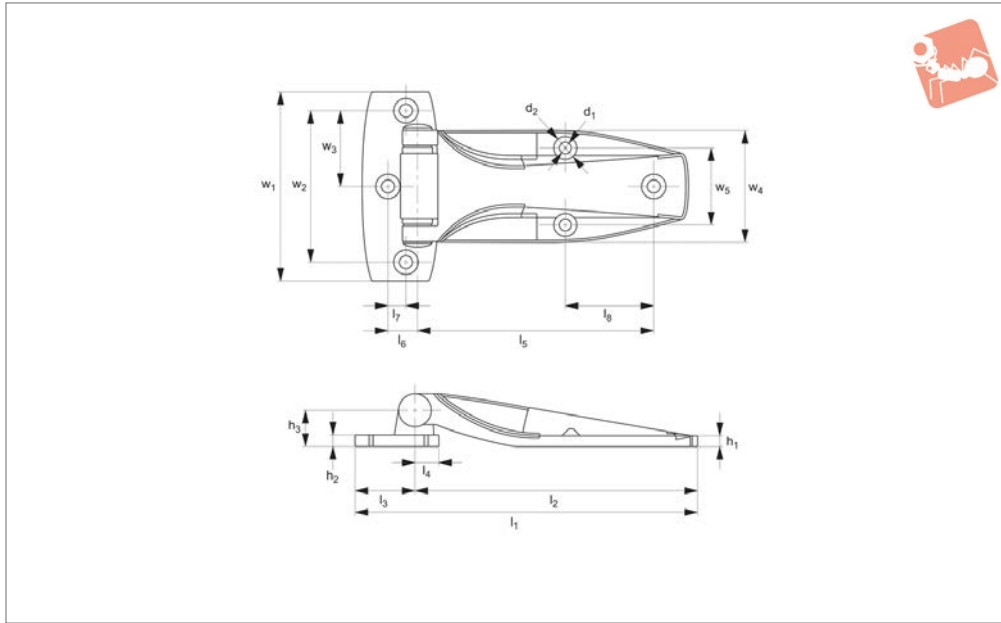


# Surface Mount - Leaf Hinges

screw mount - stainless steel



## Hinges



**S0820**

HINGES

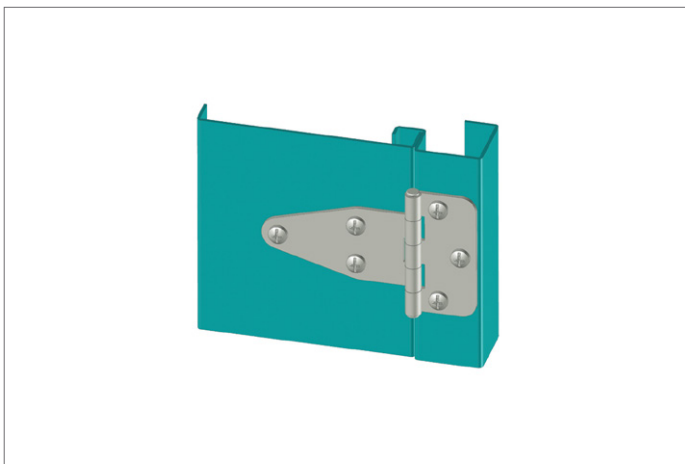
### Material

Hinge: stainless steel AISI 304, polished.

### Technical Notes

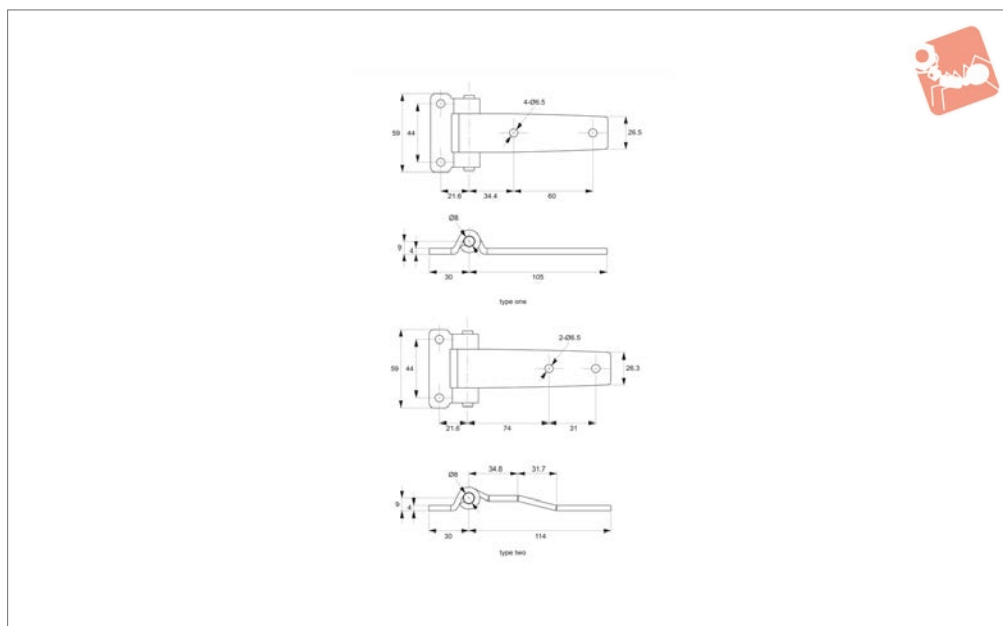
Opening angle 135°.

Order No.	$h_1$	$h_2$	$h_3$	$l_1$	$l_2$	$l_3$	$l_4$	$l_5$	$l_6$	$l_7$	$l_8$	$w_1$	$w_2$	$w_3$	$w_4$	$w_5$	$F_x$ N	$d_1$	$d_2$
<b>S0820.AW0010</b>	4.5	5	15.2	141.8	116.8	25	10	102.4	13	8.2	37.9	83	66	33	49	33.5	2170	5.2	10.5





### S0822



#### Material

Hinge and pin: stainless steel, AISI 304, polished.

#### Technical Notes

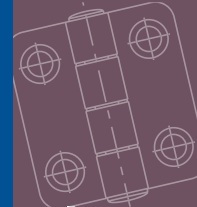
Opening angle 180°.

Order No.	Type	Length	F <sub>x</sub> kN	F <sub>y</sub> kN	Width
S0822.AW0010	type one	135	1.12	1.2	59
S0822.AW0110	type two	134	1.12	1.2	59

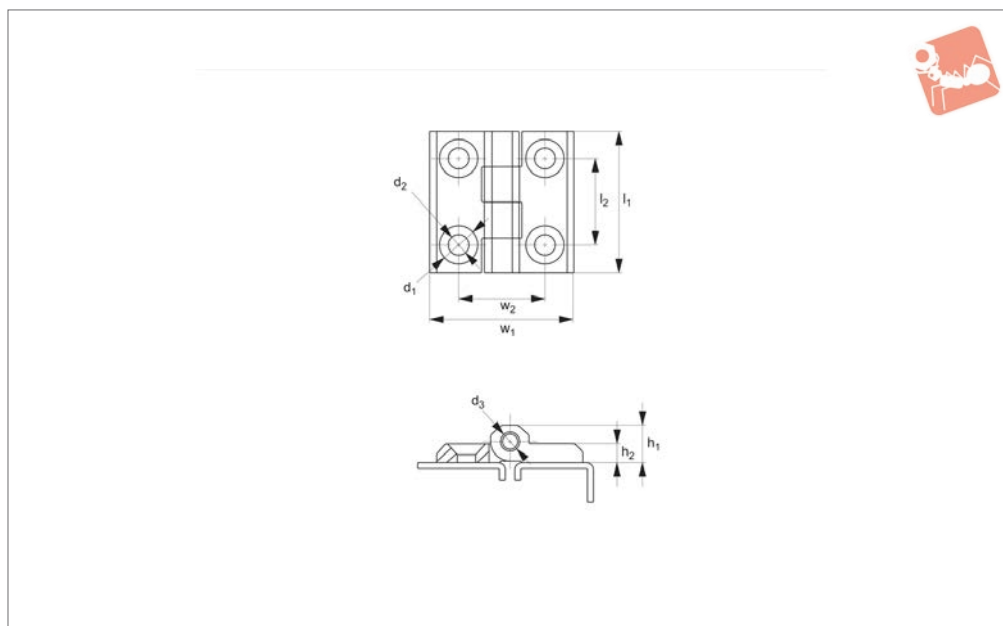


# Surface Mount - Leaf Hinges

screw mount - stainless steel



Hinges



**S0523**

HINGES

**Material**

Stainless steel, AISI 304.

electrical panels and covers.

Opening angle 180°.

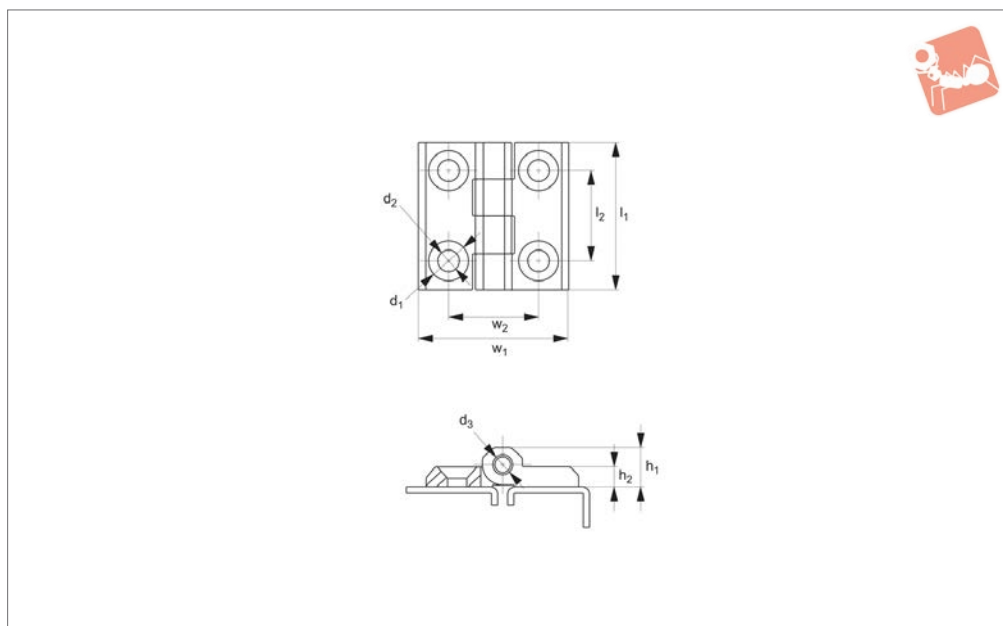
**Technical Notes**

For plain/flush mounted doors, as well as

Order No.	Size	$h_1$	$h_2$	$l_1$	$l_2$	$w_1$	$w_2$	$d_1$	$d_2$	$d_3$	90° Angled stress kN	Axial load $F_x$ N max.	Axial stress kN	Radial load $F_x$ N max.	Radial stress kN
<b>S0523.AW0040</b>	40 x 40	9,0	5	40	25	40	25	10,5	5,3	4	2,00		1,45		2,1
<b>S0523.AW0050</b>	50 x 50	11,5	6	50	30	50	30	12,5	6,3	7	2,45	1,3	2,10	1,2	3,5
<b>S0523.AW0060</b>	60 x 60	15,0	8	60	36	60	36	12,5	8,4	8	4,40	1,8	3,20	1,5	6,0



### S0561



#### Material

##### Black Coated

Body: die cast zinc, black powder coated.  
Pin: steel, nickel plated.

##### Chrome

Body: die cast zinc, chrome plated.  
Pin: steel, nickel plated.

#### Technical Notes

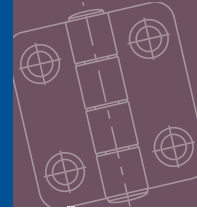
For plain/flush mounted doors, as well as electrical panels and covers. Opening angle 180°.

Order No.	Finish	Size	$h_1$	$h_2$	$l_1$	$l_2$	$w_1$	$w_2$	$d_1$	$d_2$	90° Angled stress kN	Axial load $F_x$ N max.	Axial stress kN	Radial load $F_x$ N max.	Radial stress kN
S0561.AW0040	Black Coated	40 x 40	9,0	5,0	40	25	40	25	10,2	5,3	2,00	1,2	1,45	1,0	2,1
S0561.AW0050	Black Coated	50 x 50	11,5	6,0	50	30	50	30	12,5	6,3	2,45	1,3	2,10	1,2	3,5
S0561.AW0060	Black Coated	60 x 60	15,0	8,0	60	36	60	36	16,5	8,4	4,40	1,8	3,20	1,5	6,0
S0561.AW0057	Black Coated	50 x 76	11,5	6,0	50	30	76	56	12,5	6,3	1,25	1,2	1,30	1,1	3,0
S0561.AW0612	Black Coated	60x120	15,0	8,0	60	36	120	88	12,5	6,8	1,50	1,2	1,30	1,1	4,5
S0561.AW0140	Chrome	40 x 40	9,8	5,2	40	25	40	25	5,2	2,00			1,45		2,1
S0561.AW0157	Chrome	50 x 76	11,0	6,0	50	30	76	55	6,3	2,45			2,10		3,5
S0561.AW0160	Chrome	60 x 60	17,2	8,2	60	38	60	36	8,2	1,25			1,30		3,0
S0561.AW0150	Chrome	50 x 50	11,2	6,0	50	30	50	30	6,3	4,40			3,20		6,0
S0561.AW1612	Chrome	60x120	17,2	8,2	60	90	120	36	8,2	1,50			1,30		4,5

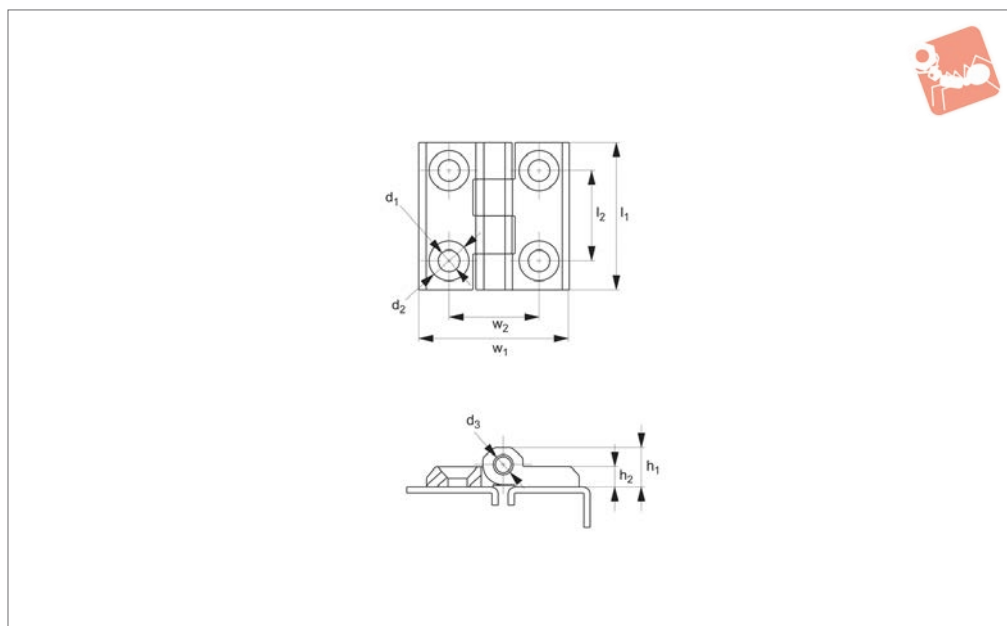


# Surface Mount - Leaf Hinges

screw mount - polyamide



## Hinges



**S0563**

HINGES

### Material

Body: polyamide.  
Pin: steel, nickel plated.

### Technical Notes

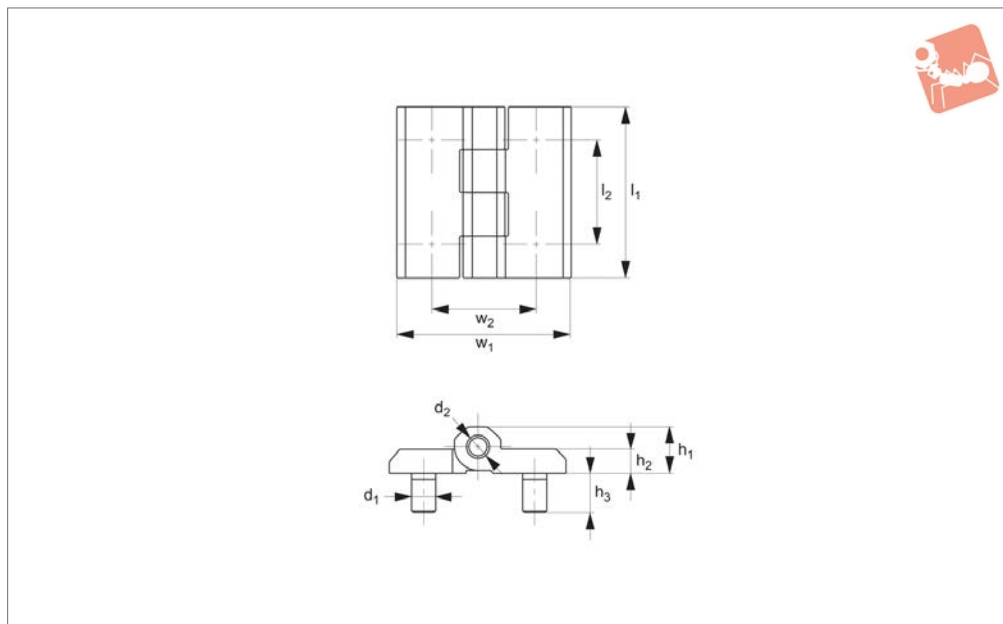
For plain/flush mounted doors, as well as electrical panels and covers. Opening

angle 180°.

Order No.	Size	$h_1$	$h_2$	$l_2$	$w_1$	$w_2$	$F_x$ kN	$F_y$ kN	$d_1$	$d_2$	$d_3$
S0563.AW0040	40 x 40	9.8	5	25	40	25	-	-	10.5	5.3	6
S0563.AW0050	50 x 50	11.5	5	30	50	30	1.2	1.3	12.5	6.3	6



### S1101



#### Material

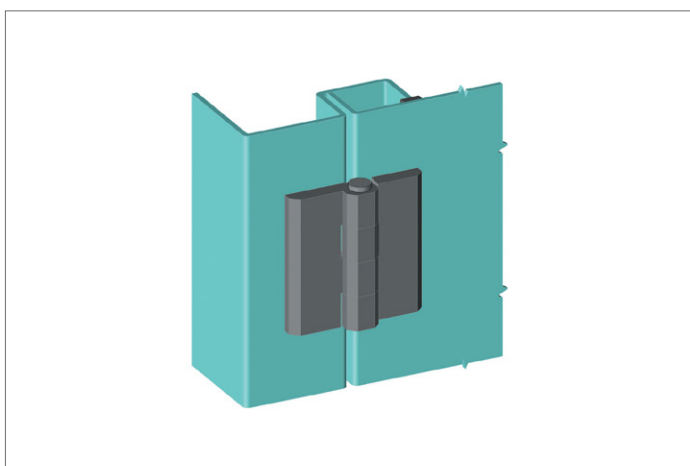
Body: die cast zinc, black powder coated.  
Pin: steel, nickel plated.

#### Technical Notes

For plain/flush mounted doors, as well as electrical panels and covers.

Opening angle 180°.

Order No.	Finish	Size	$h_1$	$h_2$	$h_3$	$l_1$	$l_2$	$w_1$	$w_2$	$d_1$	$d_2$	90° Angled stress	Axial load $F_x$ N max.	Axial stress kN	Radial load $F_x$ N max.	Radial stress kN
S1101.AW0040	Black Coated	40 x 40	9,0	5	10,0	40	25	40	25	M 5	4	1,85	1.2	0,9	1.0	1,7
S1101.AW0050	Black Coated	50 x 50	11,5	6	12,5	50	30	50	30	M 6	6	2,0	1.3	2,05	1.2	3,55
S1101.AW0057	Black Coated	50 x 70	11,5	6	12,5	50	30	76	56	M 6	6	2,00	1.2	1,5	11.2	3,00
S1101.AW0060	Black Coated	60 x 60	15,0	8	16,5	60	36	60	36	M 6	8	2,55	1.8	3,05	1.5	4,05
S1101.AW0612	Black Coated	60 x 120	15,0	8	16,5	60	36	120	88	M 8	8	1,5	1.2	1,5	1.12	4,5
S1101.AW0140	Chrome	40 x 40	9,0	5	10,0	40	25	40	25	M 5	4					
S1101.AW0150	Chrome	50 x 50	11,5	6	12,5	50	30	50	30	M 6	6					
S1101.AW0160	Chrome	60 x 60	15,0	8	16,5	60	36	60	36	M 8	8					

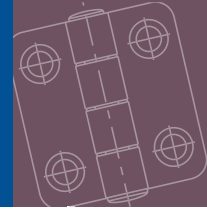




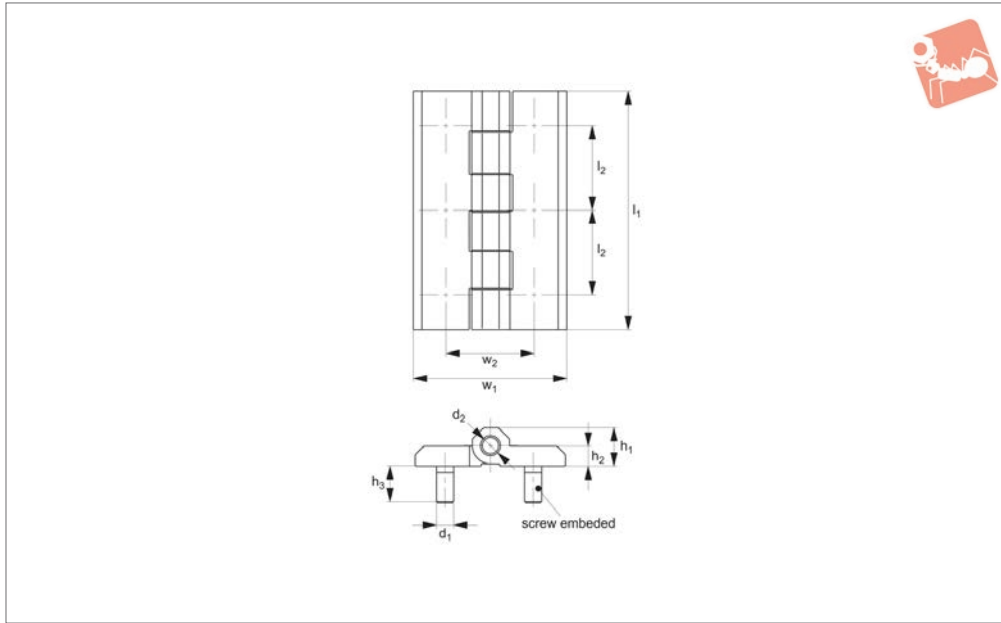


# Surface Mount - Leaf Hinges

intergrated stud mount - zinc



## Hinges



**S1113**

HINGES

### Material

Hinge: die cast zinc, black powder coated.  
Pin: nickel-plated steel.

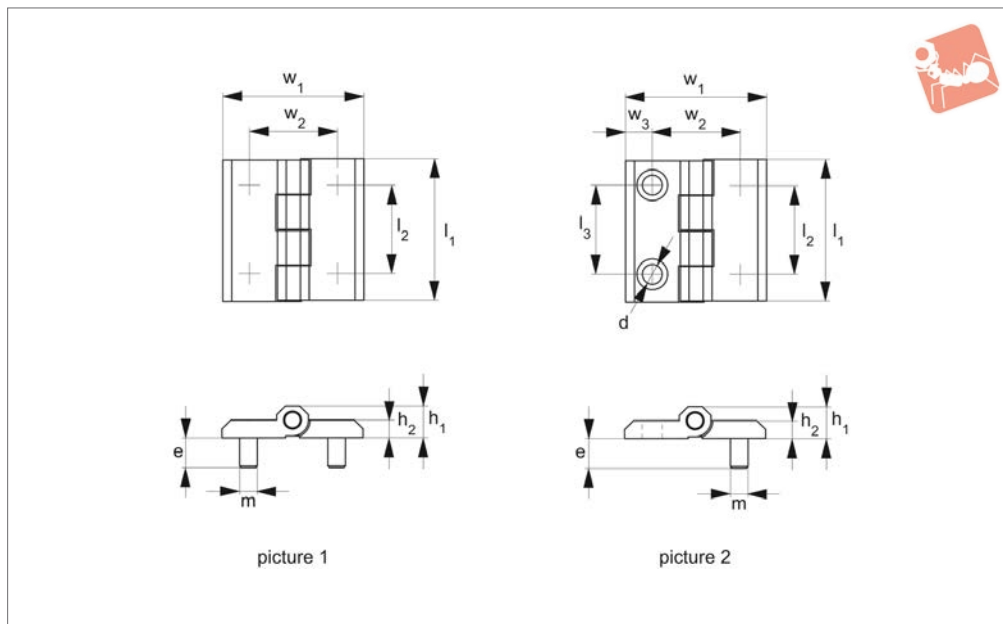
### Technical Notes

Opening angel 180°.

Order No.	Type	$h_1$	$h_2$	$h_3$	$l_1$	$l_2$	$w_1$	$w_2$	$F_x$ kN	$F_y$ kN	$d_1$	$d_2$
S1113.AW0010	Left	15	8	14.5	90	32	60	36	1.12	1.2	M 8	8
S1113.AW0020	Right	15	8	14.5	90	32	60	36	1.12	1.2	M 8	8



### S1120



**Material**

Body: polyamide, DIN-EN ISO 1043-1 PA 6 GFR 30. Black.

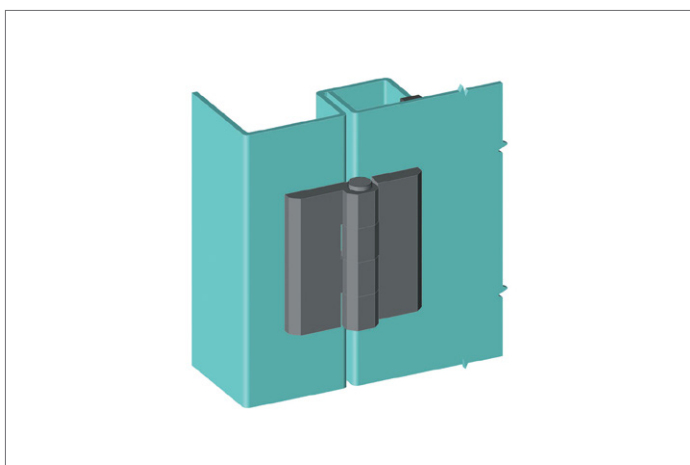
Pin: stainless steel, AISI 304.

**Technical Notes**

For plain/flush mounted doors, as well as

electrical panels and covers.  
Max. opening angle 270°.

Order No.	Type	Finish	Size	Picture	e	h <sub>1</sub>	h <sub>2</sub>	l <sub>1</sub>	l <sub>2</sub>	l <sub>3</sub>	m	w <sub>1</sub>	w <sub>2</sub>	w <sub>3</sub>	d	Mounting
S1120.AW0050	Equal	Plastic	50 x 50	1	12.0	11	6	50	30	-	M 6	50	30	-	6.3	Rear - Rear
S1120.AW0040	Equal	Plastic	40 x 40	1	8.5	9	5	40	25	-	M 5	40	25	-	5.3	Rear - Rear
S1120.AW0150	Equal	Plastic	50 x 50	2	12.0	11	6	50	30	30	M 6	50	30	10	6.3	Rear - Front



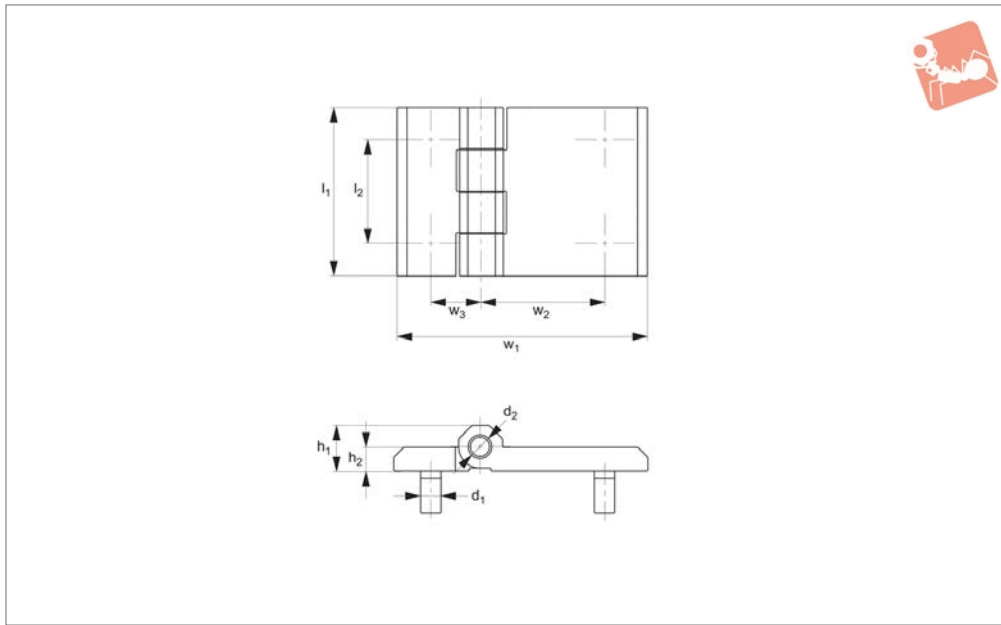


# Surface Mount - Leaf Hinges

intergrated stud mount - zinc



## Hinges



**S1130**

HINGES

### Material

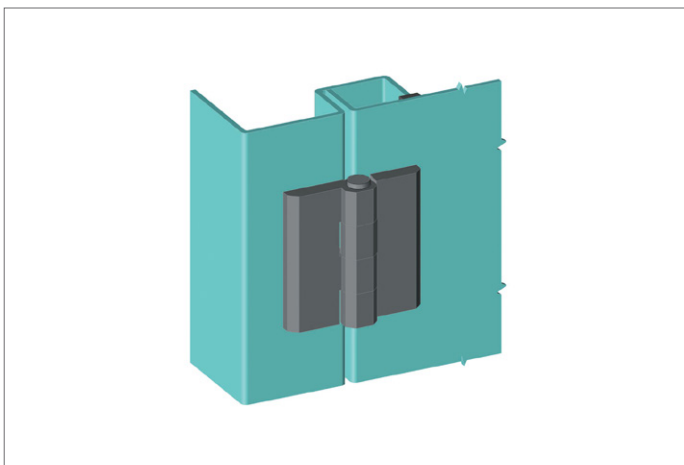
Hinge: die cast zinc, black powder coated.  
Pin: nickel-plated steel.

### Technical Notes

For plain/flush mounted doors, as well as electrical panels and covers. Opening

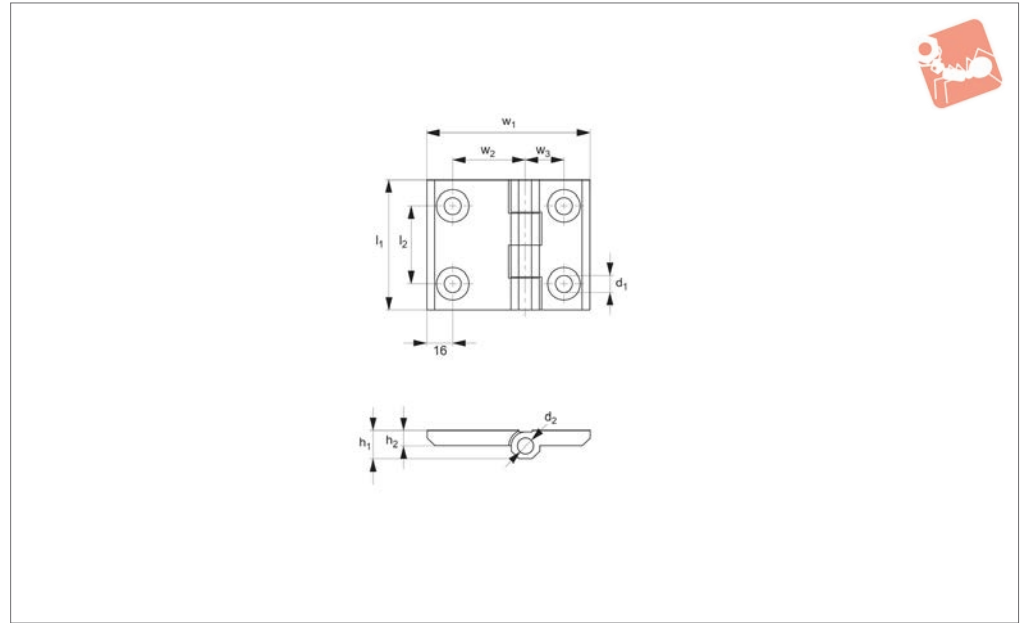
angle 180°.

Order No.	$h_1$	$h_2$	$l_1$	$l_2$	$w_1$	$w_2$	$w_3$	$F_x$ kN	$F_y$ kN	$d_1$	$d_2$	90° Angled stress	Axial stress kN	Radial stress kN
<b>S1130.AW0050</b>	11.5	6	50	30	63	28	15	1.12	1.2	M6	6	1.25	1.5	3.0
<b>S1130.AW0060</b>	15.0	8	60	36	90	44	18	1.12	1.2	M8	8	1.5	1.5	4.5





**S1131**



**Material**

Hinge: black powder, die cast zinc coated.  
Pin: nickle-plated steel.

**Technical Notes**

Opening angle 180°.

Order No.	$h_1$	$h_2$	$l_1$	$l_2$	$w_1$	$w_2$	$w_3$	$d_1$	$d_2$	90° Angled stress	Axial load $F_x$	Axial stress	Radial load $F_x$	Radial stress
											N max.	kN	N max.	kN
<b>S1131.AW0060</b>	15	8	60	36	90	44	18	8.4	8	1.5	1.2	1.5	1.12	4.5

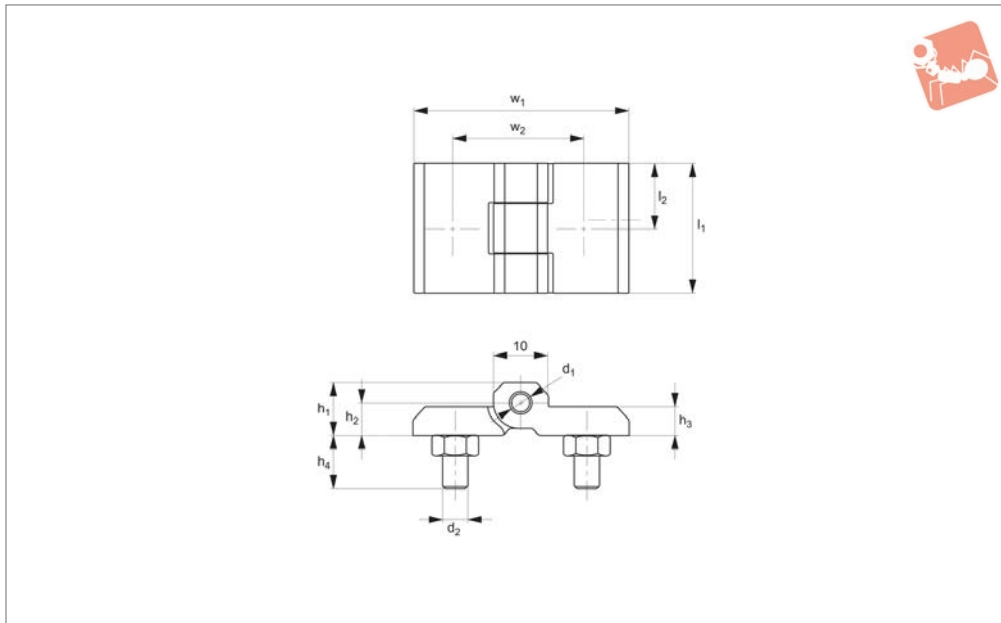


# Surface Mount - Leaf Hinges

integrated stud - zinc



## Hinges



**S1133**

HINGES

### Material

Hinge: die cast zinc, black powder coated.

**Supplied with:** fixing nuts.

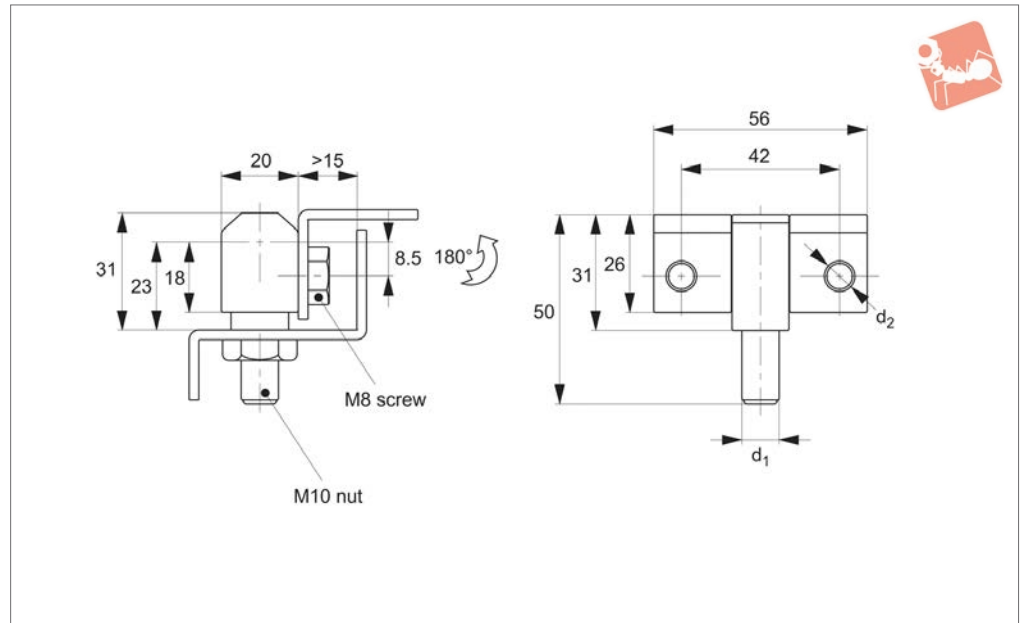
### Technical Notes

Opening angle 180°.

Order No.	$h_1$	$h_2$	$h_3$	$h_4$	$l_1$	$l_2$	$w_1$	$w_2$	$d_1$	$d_2$	Axial load $F_x$ N max.	Radial load $F_x$ N max.
<b>S1133.AW0010</b>	9	5.5	5	12	24	12	40	25	4	M 5	210	520



**S1170**



**Material**

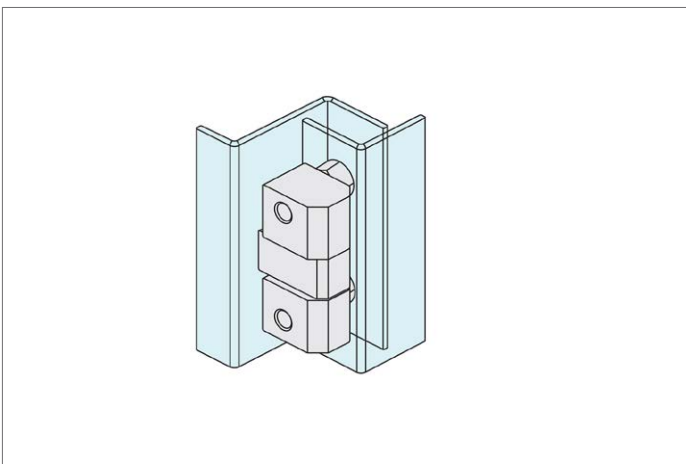
Steel, bright chrome plated.

hinges, for electrical covers and panels.  
Mounted via M8 screws (not supplied).

**Technical Notes**

Opening angle 180°. Side mounting

Order No.	Finish	F <sub>x</sub> kN	F <sub>y</sub> kN	d <sub>1</sub>	d <sub>2</sub>
S1170.AW0010	Chrome Plated	2.5	1.785	M10	M 8
S1170.AW0020	Black Coated	2.5	1.785	M10	M 8



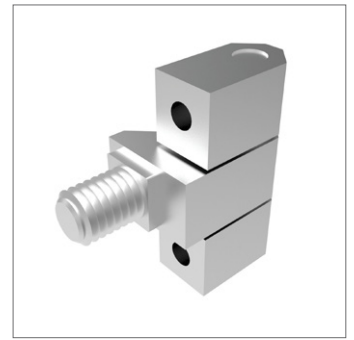
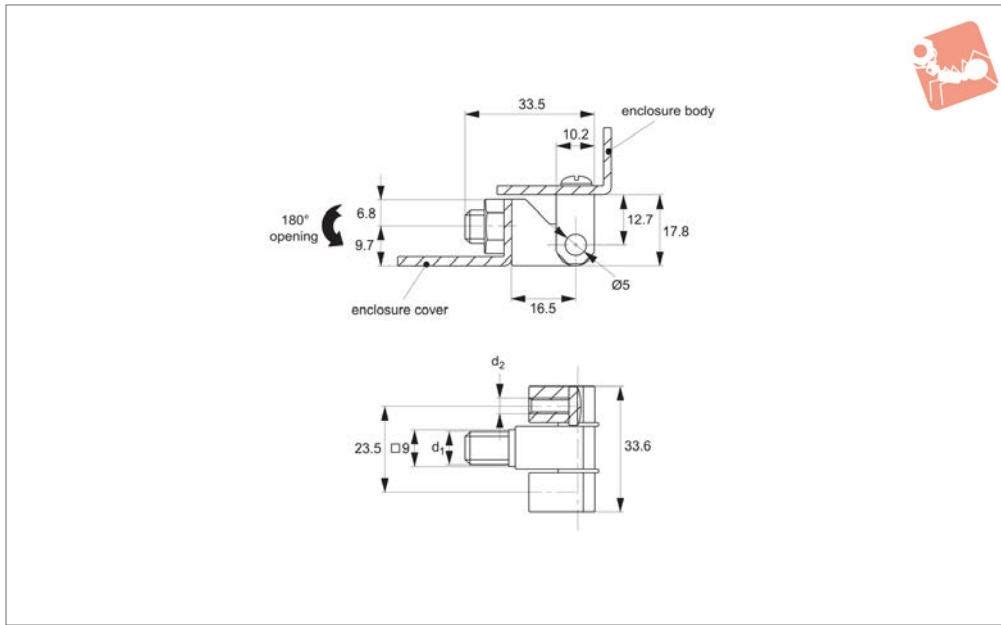


# Surface Mount - In-line Hinges

intergrated stud and screw mount - zinc



## Hinges



**S1172**

HINGES

**Material**

Hinge: die cast zinc.  
Pin: steel.

angle 180°.

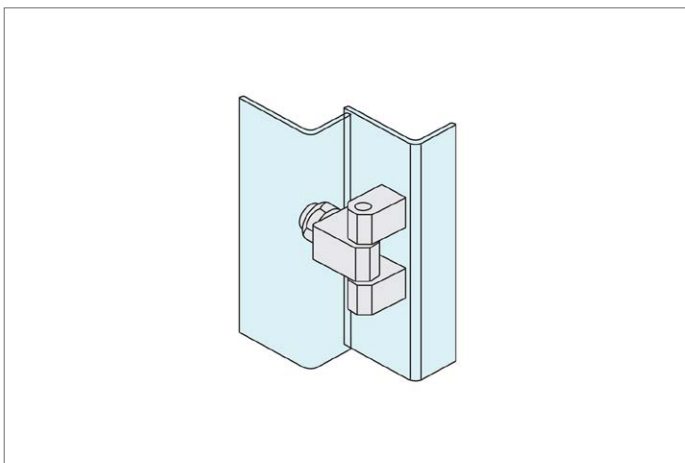
**Technical Notes**

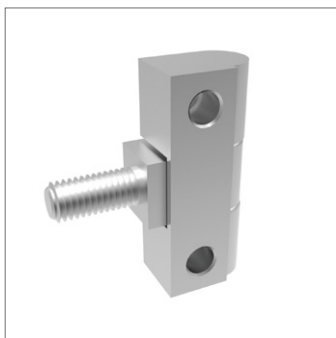
For electrical panels and covers. Opening

**Tips**

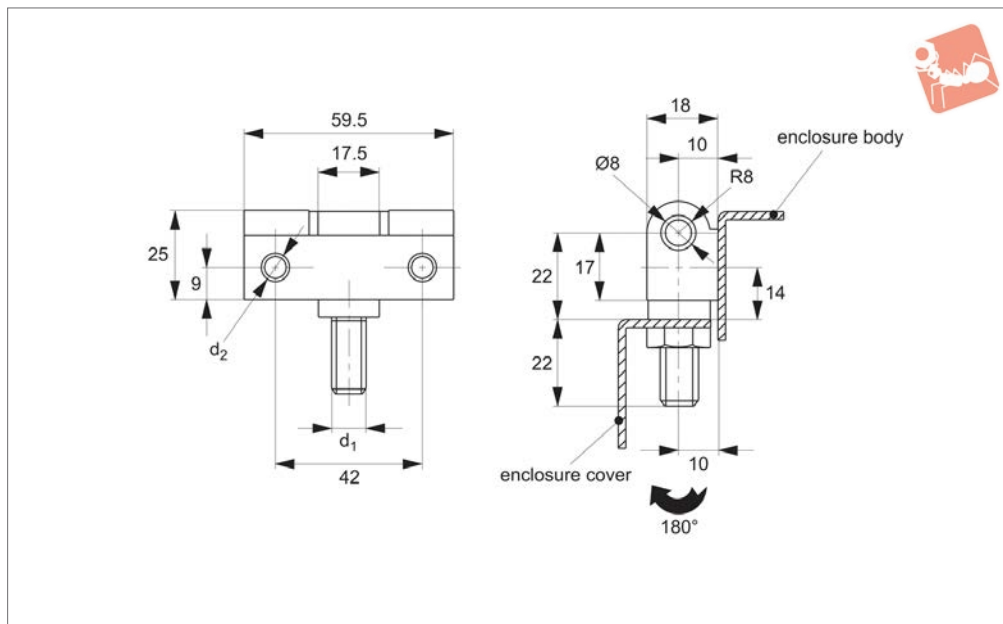
Parts supplied tightly fitted.

Order No.	Finish	Size	F <sub>x</sub> kN	F <sub>y</sub> kN	d <sub>1</sub>	d <sub>2</sub>	Opening angle
S1172.AW0010	Chrome	33 x 21	1.2	1.0	M 8	M 4	180°
S1172.AW0020	Black Coated	33 x 21	1.2	1.0	M 8	M 4	180°





**S1174**



**Material**

Hinge: die cast zinc.

Max. opening angle 180°.

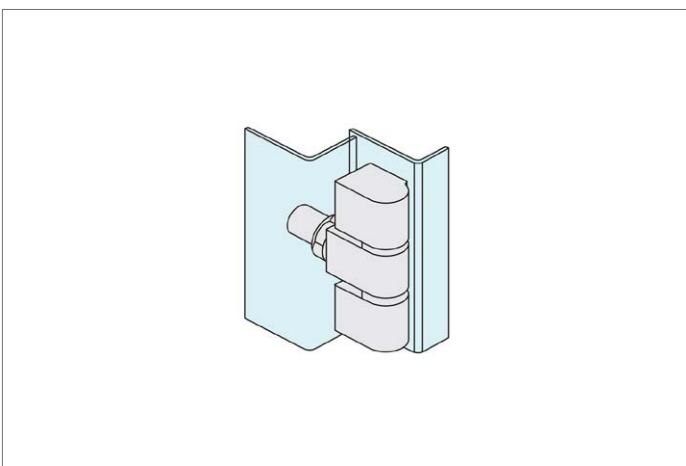
**Tips**

Parts supplied tightly fitted.

**Technical Notes**

For electrical panels and covers.

Order No.	Finish	Size	$F_x$ kN	$F_y$ kN	$d_1$	$d_2$	Opening angle
S1174.AW0010	Chrome Plated	59 x 18	2.0	1.52	M10	M 8	180°
S1174.AW0020	Black Coated	59 x 18	2.0	1.52	M10	M 8	180°





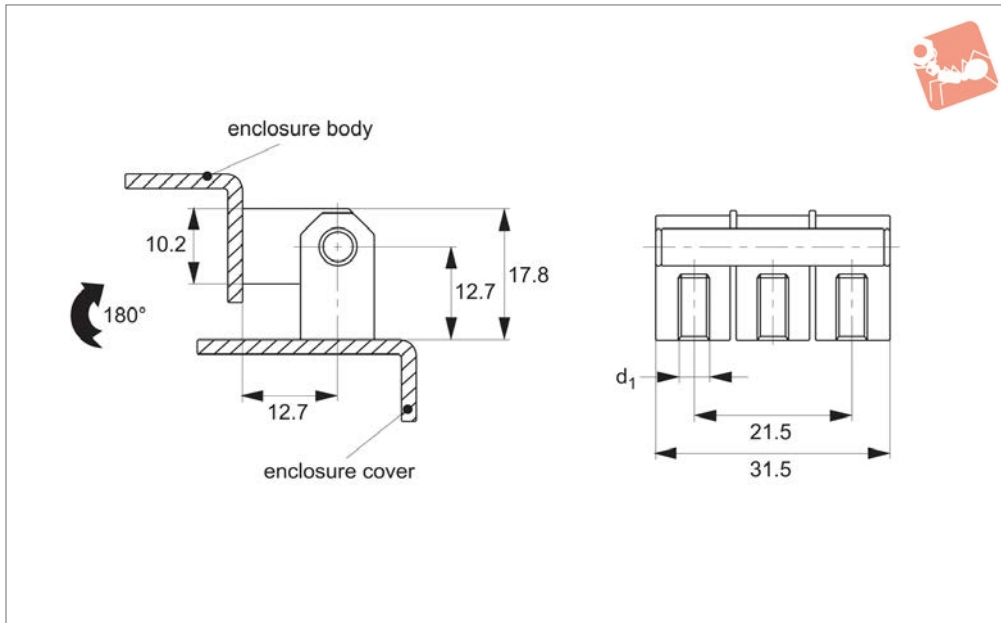


# Surface Mount - In-line Hinges

bolt-on - zinc



## Hinges



**S1176**

HINGES

### Material

Hinge: die cast zinc.  
Pin: steel.

Max. opening angle 180°.

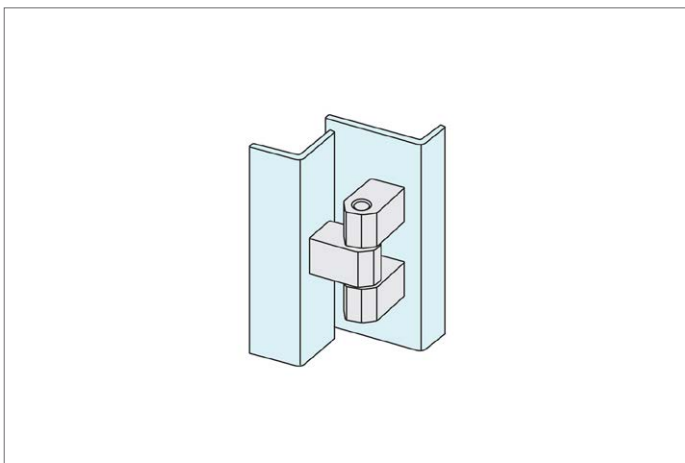
### Tips

Parts supplied tightly fitted.

### Technical Notes

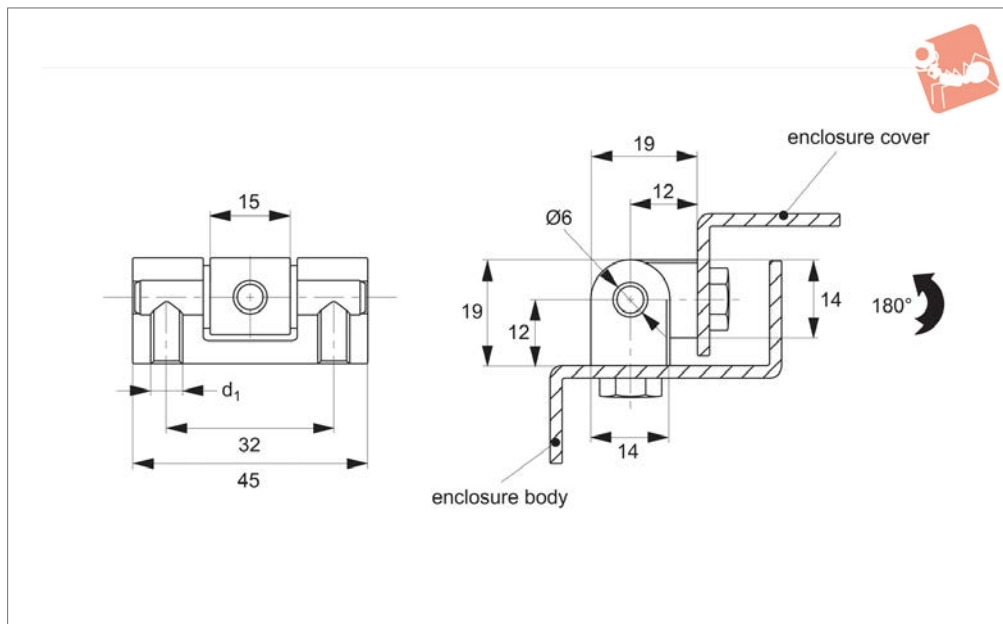
For electrical panels and covers.

Order No.	Finish	Size	F <sub>x</sub> kN	F <sub>y</sub> kN	d <sub>1</sub>	Opening angle
S1176.AW0010	Chrome Plated	31 x 10	1.2	1.0	M 4	180°
S1176.AW0020	Black Coated	31 x 10	1.2	1.0	M 4	180°





### S1192



#### Material

Hinge: die cast zinc.  
 Pin: steel, nickel-plated.  
 Bushing: PA.  
**Not supplied:** SCREWS.

#### Technical Notes

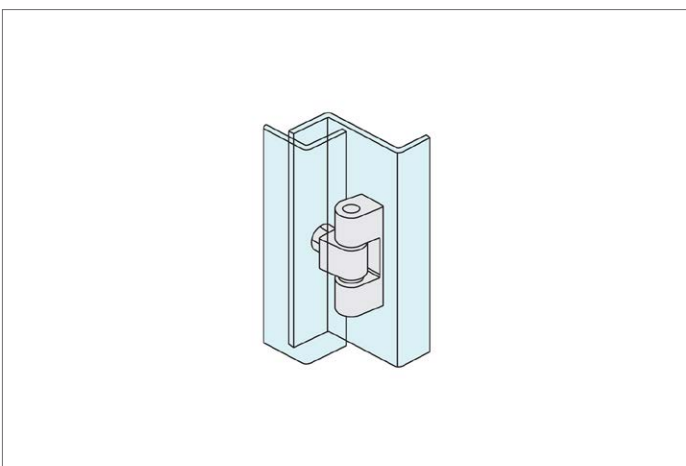
Universal left or right hand opening doors.  
 For external mounting on cabinets, surface mounted doors, sheet metal doors etc.  
 Mounting via concealed 3 x M6 screws.

Max. opening angle 180°.

#### Tips

Parts supplied tightly fitted.

Order No.	Finish	Size	F <sub>x</sub> kN	F <sub>y</sub> kN	d <sub>1</sub>	Opening angle
S1192.AW0010	Chrome	45 x 14	1.675	2.0	M 6	180°
S1192.AW0020	Black Coated	45 x 14	1.675	2.0	M 6	180°



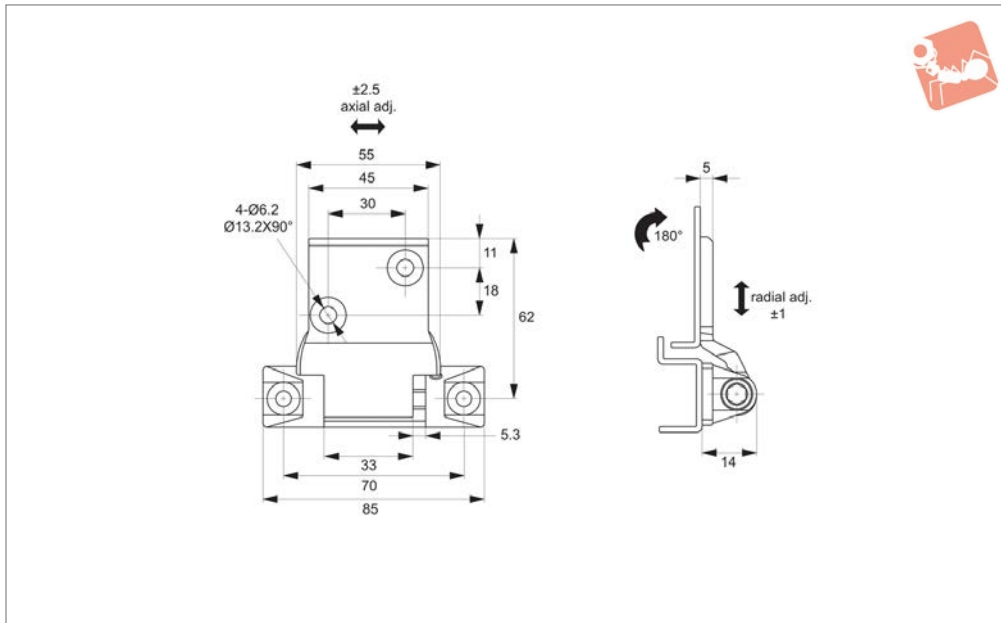


# Surface Mount - HVAC Applications

axial adjustment - screw mount - zinc



## Hinges



**S1806**

HINGES

### Material

Die cast zinc, black powder coated .  
Shaft: stainless steel AISI 304.  
Bearing: delrin plastic.

### Technical Notes

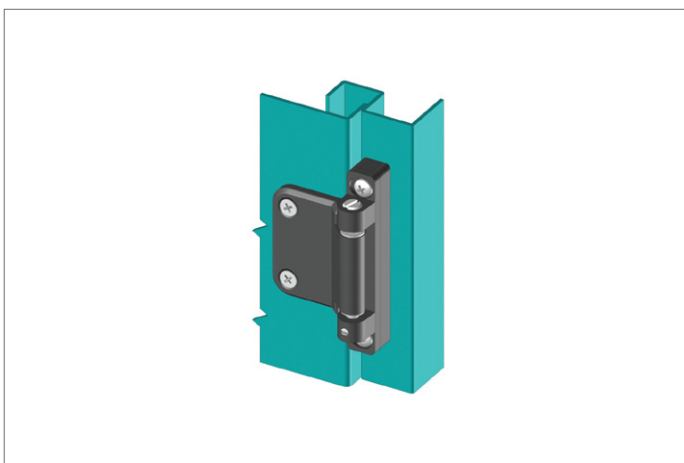
Ideal for heating and ventilation applica-

tions, for use on flat panels and covers.  
Increase off-set via use of additional  
spacers, for your own design (not  
supplied).  
Mounting via M5 screws.  
Max. opening angle 180°.

### Tips

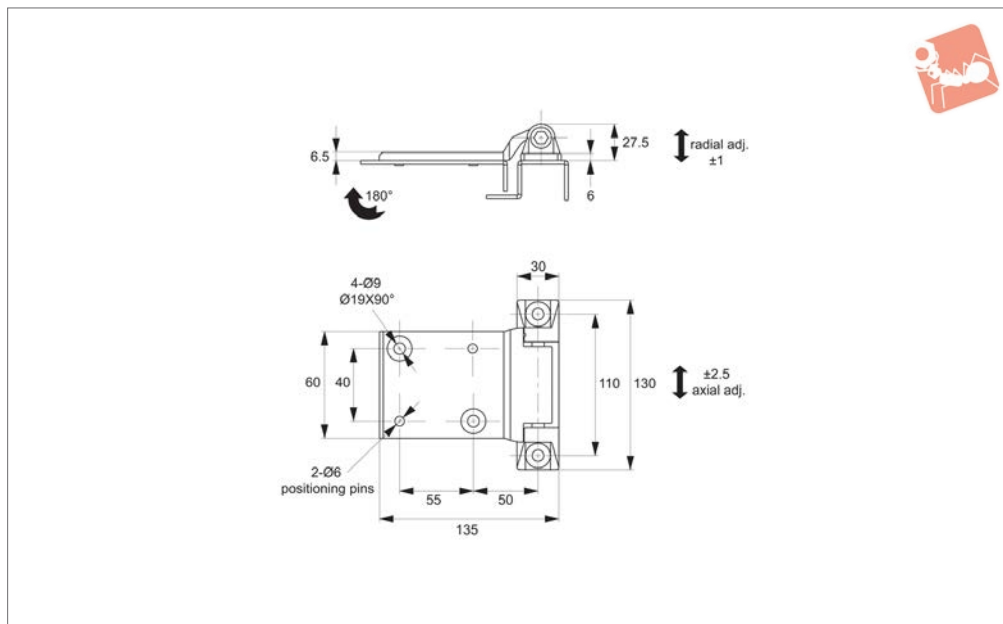
Maximum 5.3mm axial adjustment.

Order No.	Type	Finish	Size	F <sub>x</sub> kN	F <sub>y</sub> kN	Opening angle
S1806.AW0010	Left Hand	Black coated	85 x 77	1.5	1.3	180°
S1806.AW0020	Right Hand	Black coated	85 x 77	1.5	1.3	180°





### S1823



#### Material

Die cast zinc, pocked black powder coated.  
Shaft: stainless steel AISI 304.

tions, for use on flat panels and covers.  
Mounting via M8 screws.  
Max. opening angle 180°.

± 1mm radial is possible.

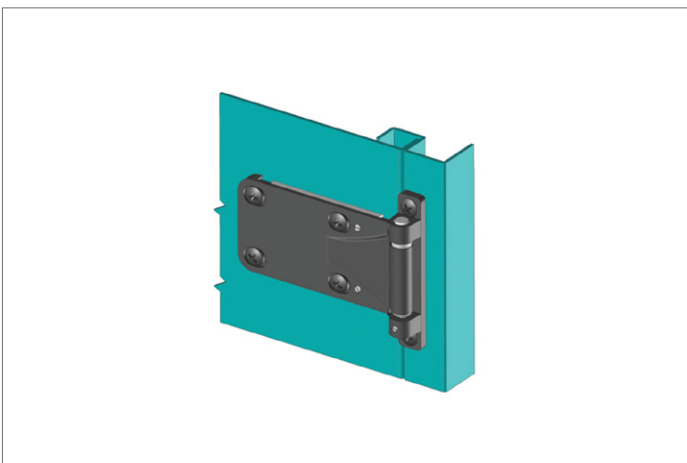
#### Technical Notes

Ideal for heating and ventilation applica-

#### Tips

Adjustments of hinge by ± 2,5mm axial and

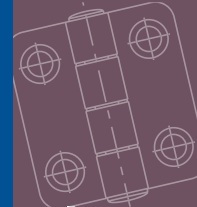
Order No.	Type	Finish	Size	F <sub>x</sub> kN	F <sub>y</sub> kN	Opening angle
S1823.AW0010	Left Hand	Black Coated	130 x 135	1.8	1.5	180°
S1823.AW0020	Right Hand	Black Coated	130 x 135	1.8	1.5	180°



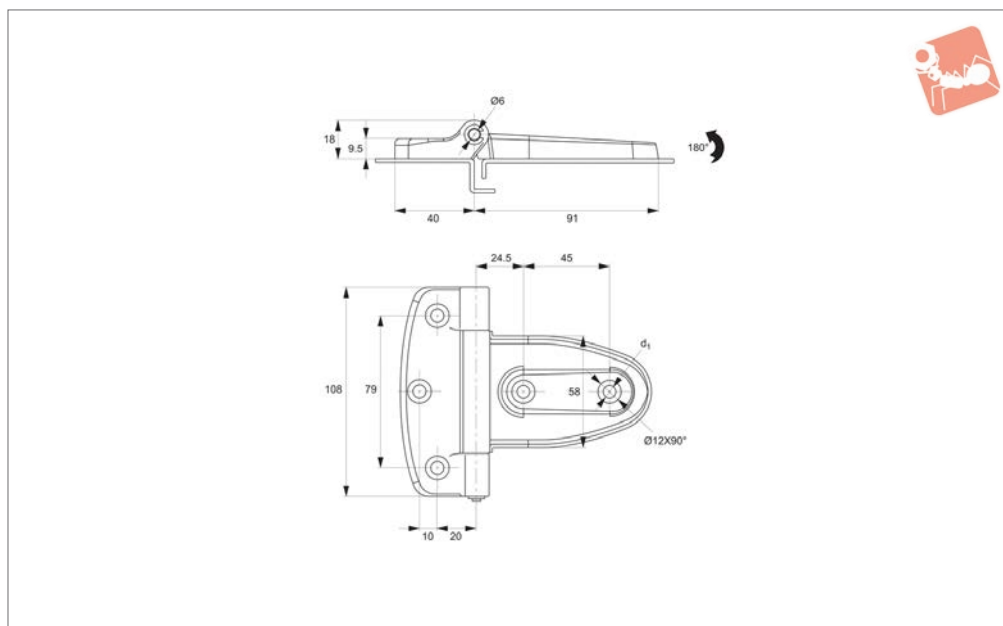


# Surface Mount - HVAC Applications

screw mount - polyamide



## Hinges



**S1826**

HINGES

### Material

Hinge: polyamide (PA), black.  
Pin: stainless steel AISI 304, nickel plated.

### Technical Notes

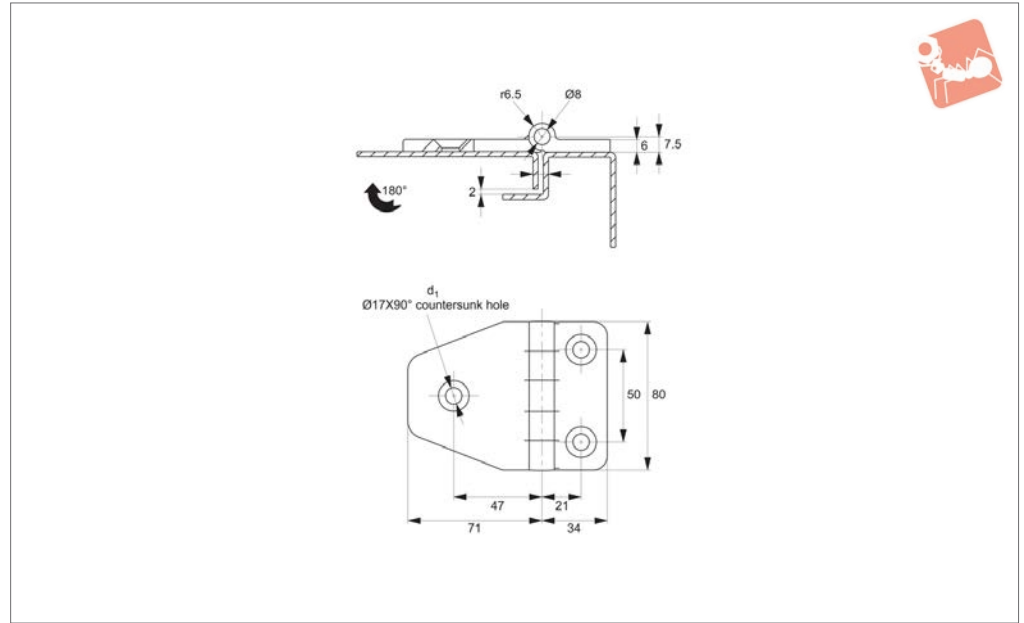
Opening angle 180°. Ideal for heating and ventilation applications, for use on flat panels and covers.

Mounting via M6 screws.

Order No.	Finish	Size	$F_x$ N	$F_y$ N	$d_1$	Opening angle
<b>S1826.AW0010</b>	Black Polyamide	108 x130	800	600	6.5	180°



**S1828**



**Material**

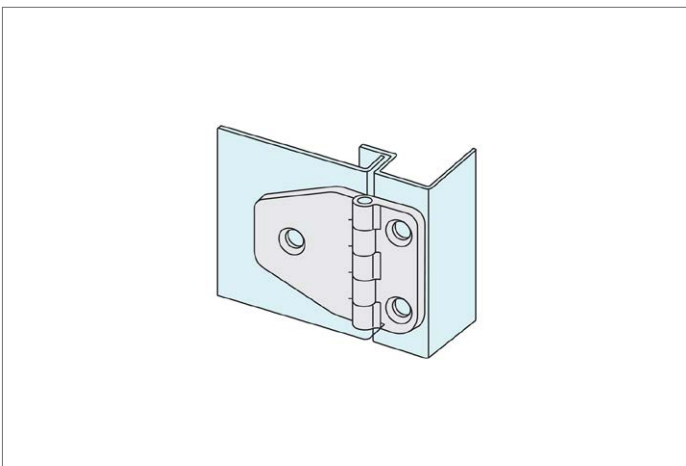
Polyamide plastic (PA), black.  
Pin: steel, zinc plated.

**Technical Notes**

Opening angle 180°. Ideal for heating and ventilation apps, for use on flat panels and

covers. Mounting via M8 screws (not supplied).

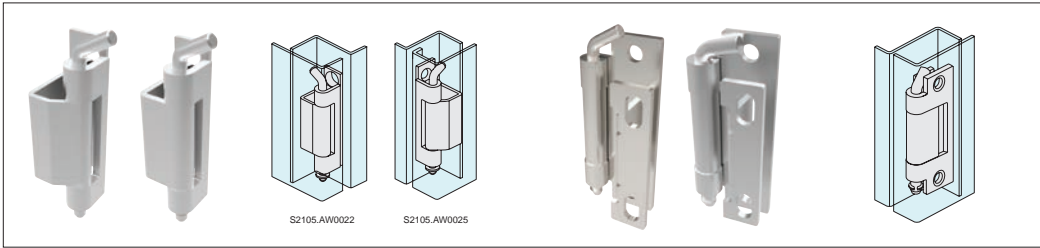
Order No.	Finish	Size	F <sub>x</sub> N	F <sub>y</sub> N	d <sub>1</sub>	Opening angle
S1828.AW0080	Black plastic	80 x 105	800	600	9	180°



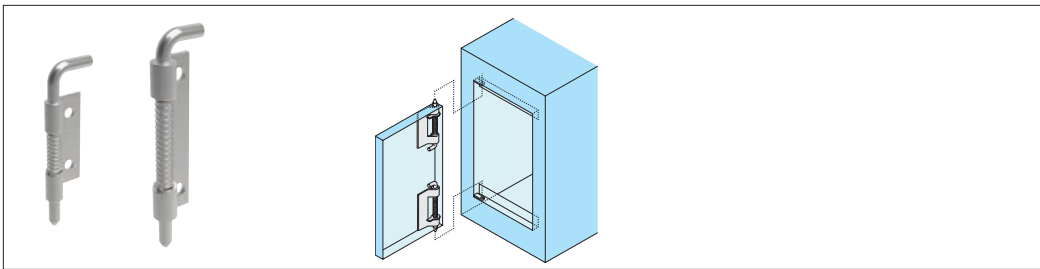


For added security or a sleek enclosure design, concealed hinges offer the solution with mounting discreetly hidden away from view to avoid tampering.

## Concealed hinges



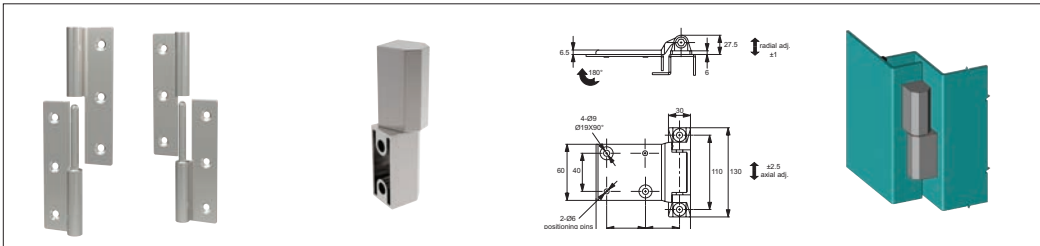
Concealed pivot hinges



End mount concealed pivot hinges

Door removal or lift-off hinges simplify removal of covers and panels to ease access for maintenance and repair, available in a selection of materials.

## Door removal hinges



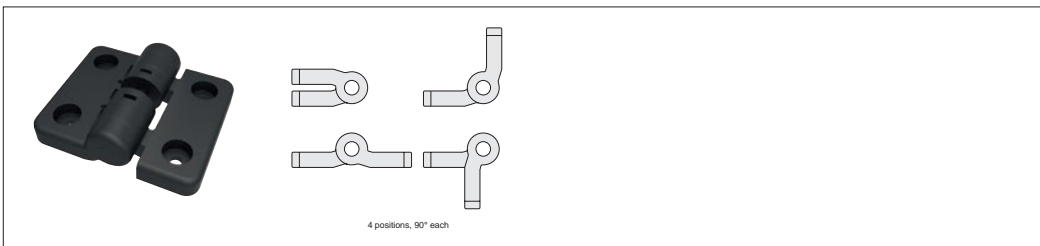
Lift off hinges

Torque and positioning hinges offer positive location of panels, screens and displays using constant friction for a firm hold.

## Torque and positioning hinges



Constant torque hinges



Detent positioning hinges

HINGES

ov-W50050-A-T-W51828-A-T-wide-range-of-solutions-rmh - Updated - 01-11-2022



## Left or right type: Which do you need?

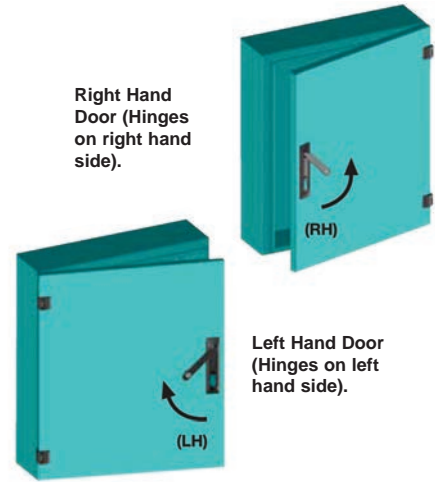
Wixroyd have a diverse range of hinges to suit most industrial applications in a wide range of materials and finishes.

Throughout our catalogue we refer to parts as being of a "Left" or "Right" type or hand. Which type you need, is most easily explained as follows;

Orientate your application so that when opened the door/panel comes towards you. With this orientation in mind, look to see on which side of the door/panel the hinges are mounted?

If the hinges are on the left side of the door/panel then you require "Left" type products. If the hinges are on the right side of the door/panel then you require "Right" type products.

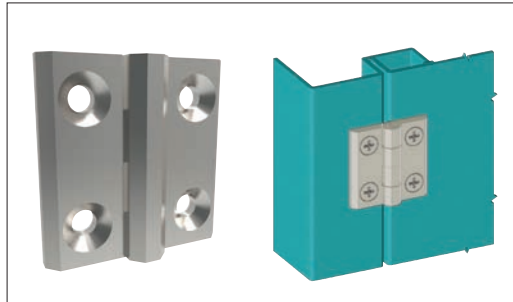
The illustration on the right clearly indicates the layout and orientation of the door where a "left" or "right" product is used.



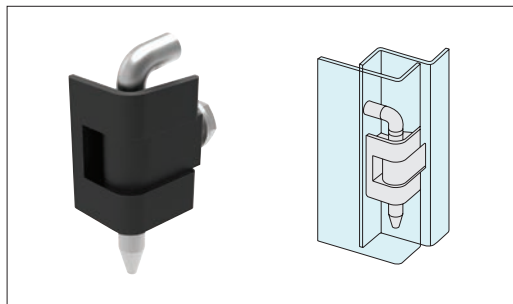
## Hinges

### External hinges

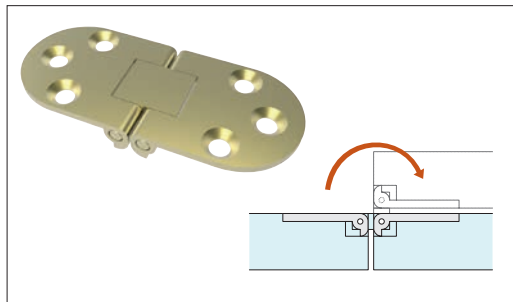
External or surface mount hinges have a wide range of application on electrical panels, sheet metal enclosures, generators and heating and venting applications.



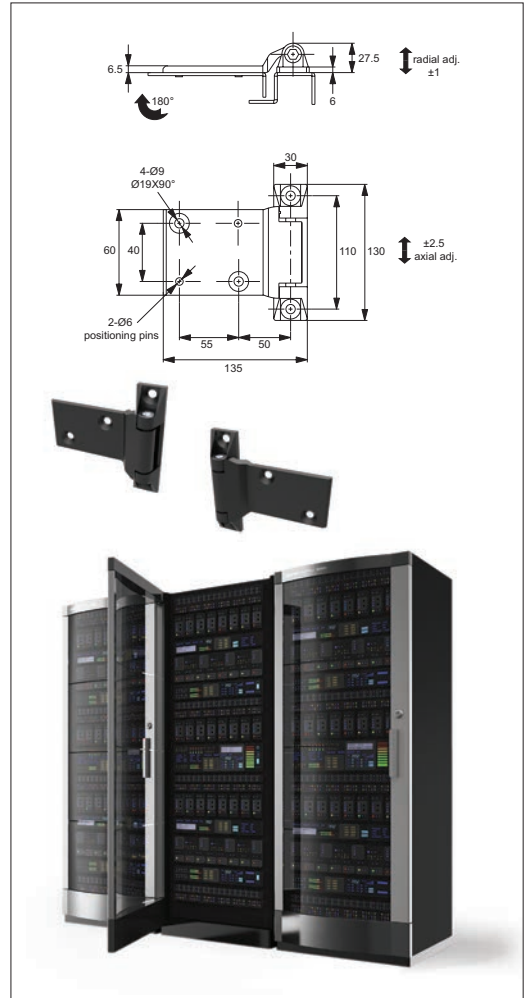
Surface mount hinges



Corner hinges



Flush mount hinges



Surface mount hinges

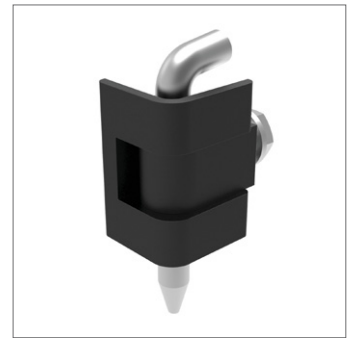
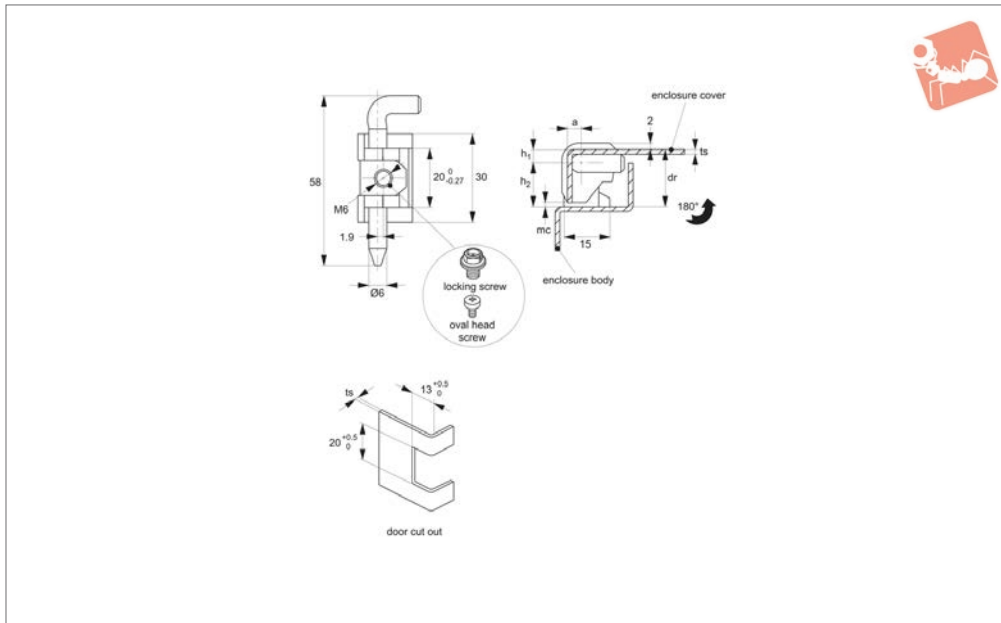




# Corner Hinge - 19-24mm Door Return cut out and locking screw - zinc



## Hinges



### S1901

HINGES

#### Material

Hinge: die cast zinc, black powder coated.  
Pin: steel, nickel plated.

#### Technical Notes

Opening angle 180°. For sheet metal and machine enclosures with 19-24mm door

return and panel thickness 1,5 to 2,0mm.  
See installation cut out for details.

#### Tips

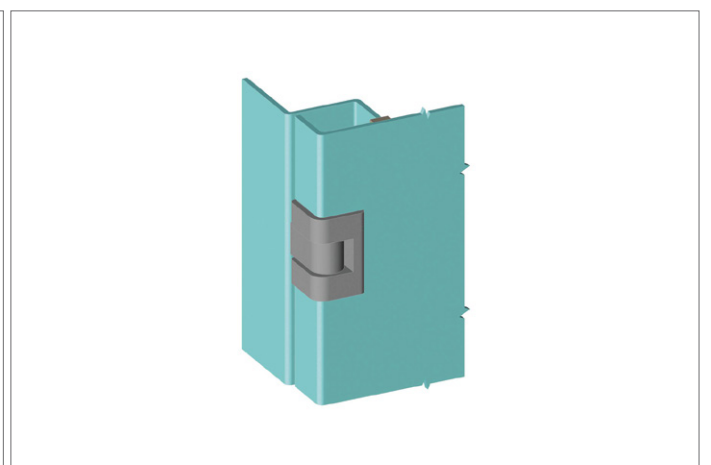
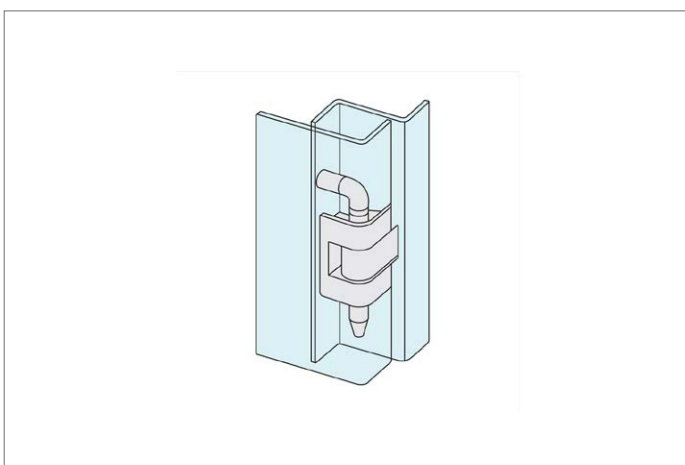
Mounting via M6 locking screw locking screw (not supplied).

#### Important Notes

dr= Maximum door return suitable for use with hinge.

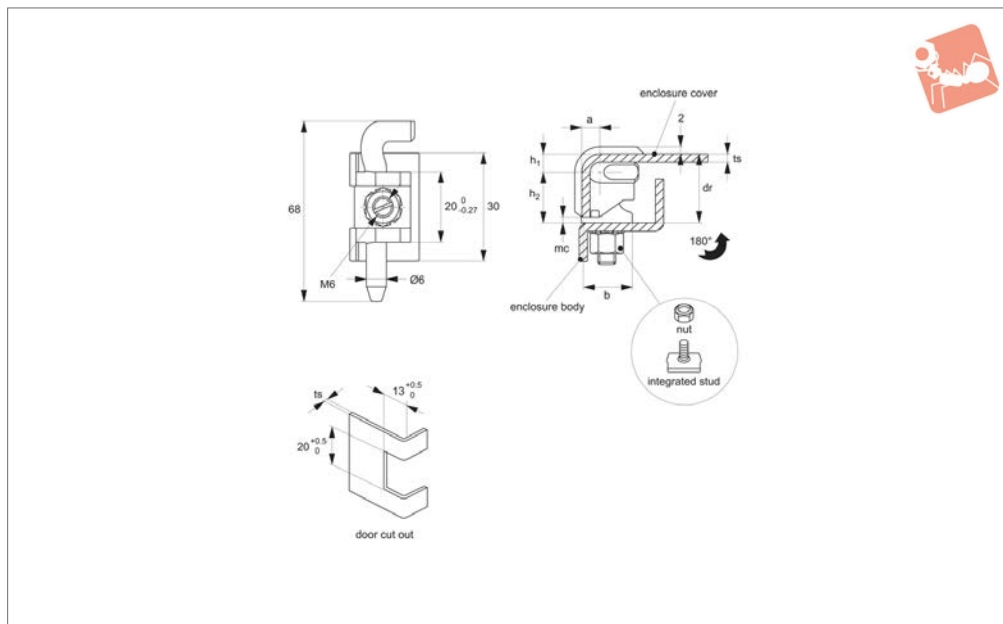
mc= Minimum clearance advised between enclosure cover and body to ensure smooth, full opening of enclosure cover.

Order No.	Finish	Door return	$h_1$	$h_2$	$F_x$ N	$F_y$ N	mc min.	ts panel thickness
S1901.AW0015	Black Coated	19.6	4.6	15	940	720	2	1.5
S1901.AW0017	Black Coated	21.6	4.6	17	940	720	2	1.5
S1901.AW0019	Black Coated	23.6	4.6	19	940	720	2	1.5
S1901.AW0025	Black Coated	21.1	5.1	15	425	225	2	2.0
S1901.AW0027	Black Coated	22.1	5.1	17	425	225	2	2.0
S1901.AW0029	Black Coated	24.1	5.1	19	425	225	2	2.0
S1901.AW0999	Oval Head Screw	-	-	-	-	-	-	-





### S1903



#### Material

Hinge: stainless steel AISI 304, wire-drawing polishing.

#### Technical Notes

For sheet metal and machine enclosures with a 19 to 21mm door return, up to 2mm thick. For installation dimension see cut

out detail.

Universal left or right hand opening doors. Max. opening angle 180°.

#### Tips

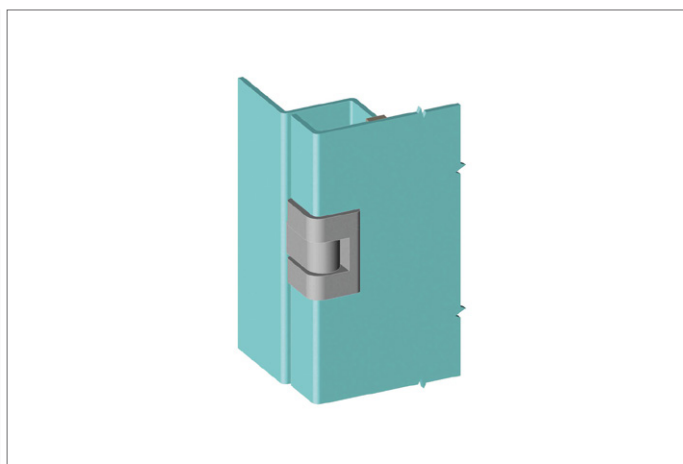
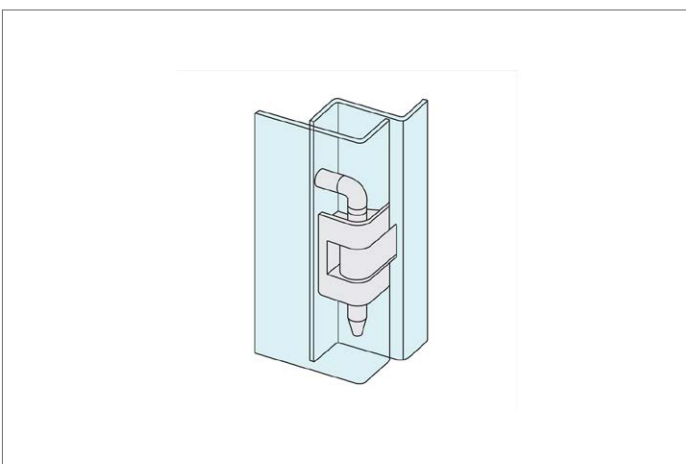
Use M6 nut on intergrated stud to secure (not supplied).

#### Important Notes

dr= Maximum door return suitable for use with hinge.

mc= Minimum clearance advised between enclosure cover and body to ensure smooth, full opening of enclosure cover.

Order No.	Finish	Door return	$h_1$	$h_2$	$F_x$ kN	$F_y$ kN	mc min.	ts panel thickness
S1903.AW0015	Stainless	19.6	4.6	15	900	700	2	1.5

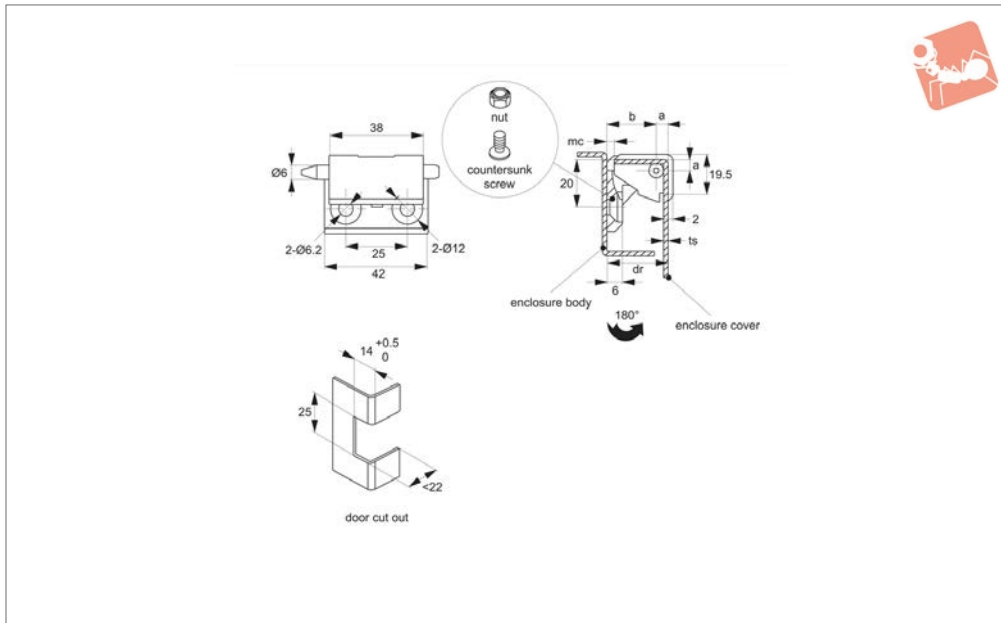




# Corner Hinge - 24 to 26mm Door cut out and counter sunk screw - zinc



Hinges



**S1911**

HINGES

### Material

Hinge: die cast zinc, black powder coated.  
Pin: steel, nickel-plated.

### Technical Notes

For sheet metal and machine enclosures with a 24 to 26mm door return up to 3mm

thick. For installation dimension see cut out detail.

Mounting via M6 screws.

Universal left or right hand opening doors.

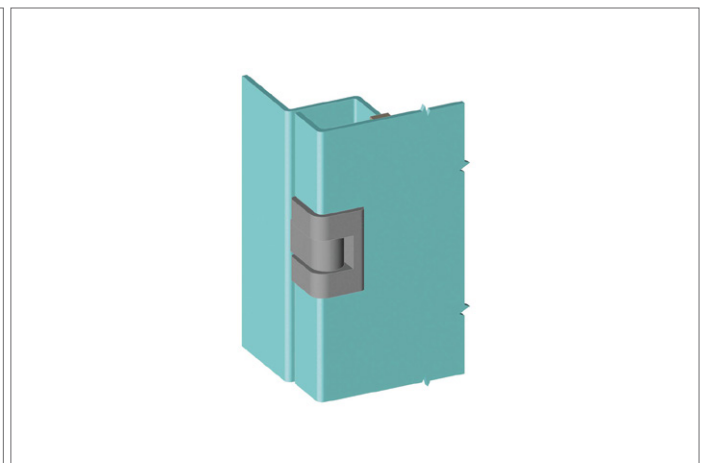
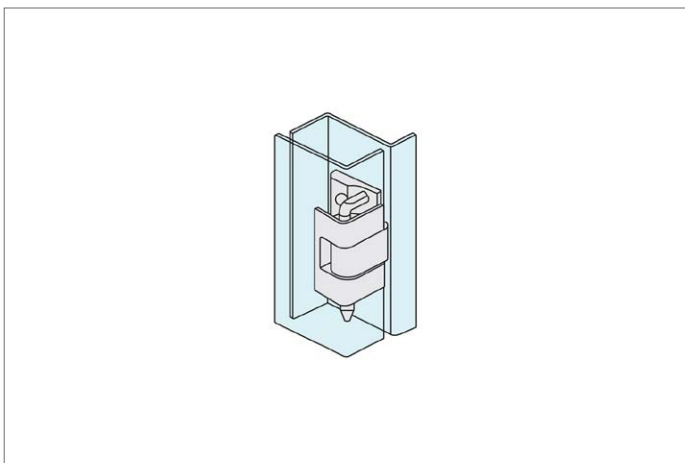
Max. opening angle 180°.

### Important Notes

dr= Maximum door return suitable for use with hinge.

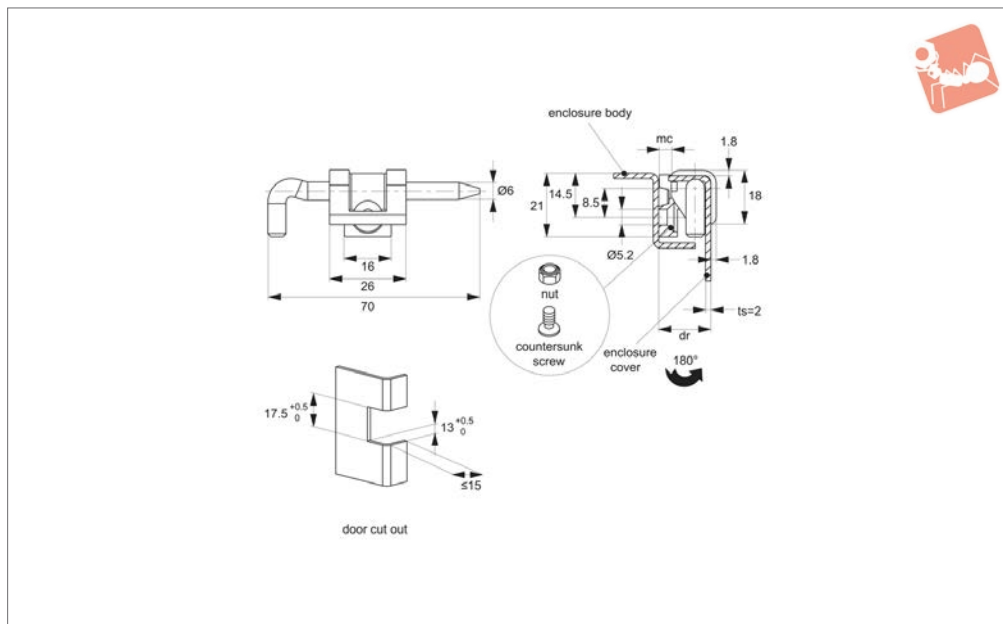
mc= Minimum clearance advised between enclosure cover and body to ensure smooth, full opening of enclosure cover.

Order No.	Finish	Door return	a	b	$F_x$ N	$F_y$ N	mc min.	ts panel thickness
S1911.AW0001	Black coated	24.1	4.6	20	1050	980	3	1.5
S1911.AW0002	Black coated	25.1	5.1	20	1050	980	3	2.0
S1911.AW0003	Black coated	26.1	6.1	20	1050	980	3	3.0





### S1921



#### Material

Hinge: die cast zinc, black powder coated.  
Pin: stainless steel AISI 304.

#### Technical Notes

For sheet metal and machine enclosures with a 17mm door return, upto 2mm thick.  
For installation dimension see cut out

#### detail.

Universal left or right hand opening doors.  
Max. opening angle 180°.

#### Tips

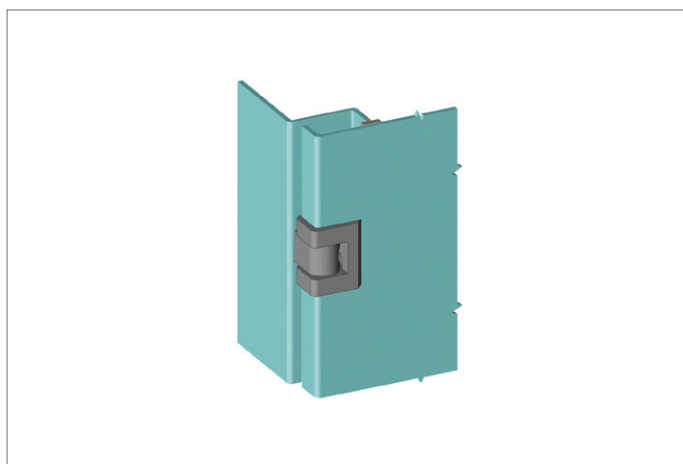
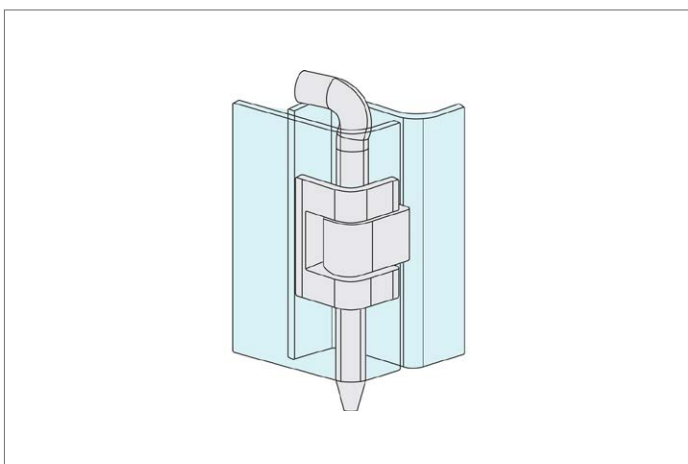
Mounting via M5 countersunk screws (not supplied).

#### Important Notes

dr= Maximum door return suitable for use with hinge.

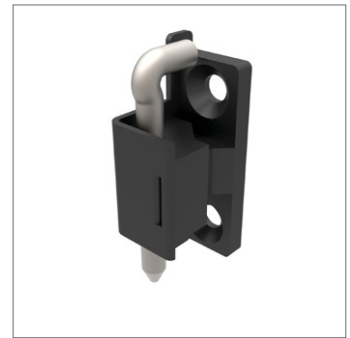
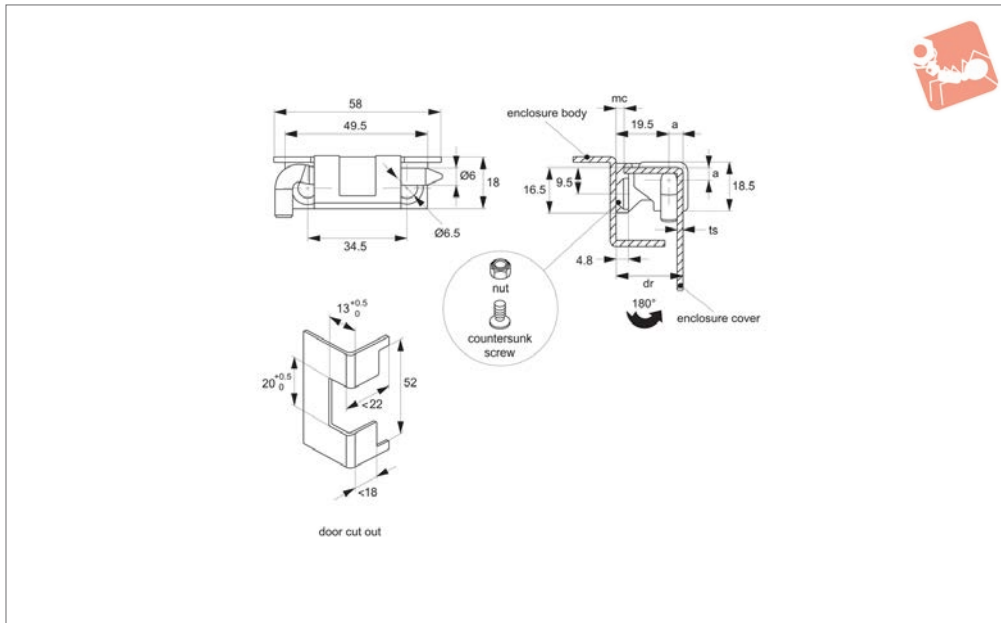
mc= Minimum clearance advised between enclosure cover and body to ensure smooth, full opening of enclosure cover.

Order No.	Finish	Door return	$F_x$ N	$F_y$ N	mc min.	ts panel thickness
S1921.AW0010	Black coated	17	405	805	2	2.0





# Corner Hinge - 24mm Door Return cut out and countersunk screw - zinc



### S1926

HINGES

#### Material

Hinge: die cast zinc, black powder coated.  
Pin: steel, nickel-plated.

#### Technical Notes

For sheet metal and machine enclosures with a 24mm frame off-set, upto 2mm thick. For installation dimension see cut

out detail.

Universal left or right hand opening doors.  
Max. opening angle 180°.

#### Tips

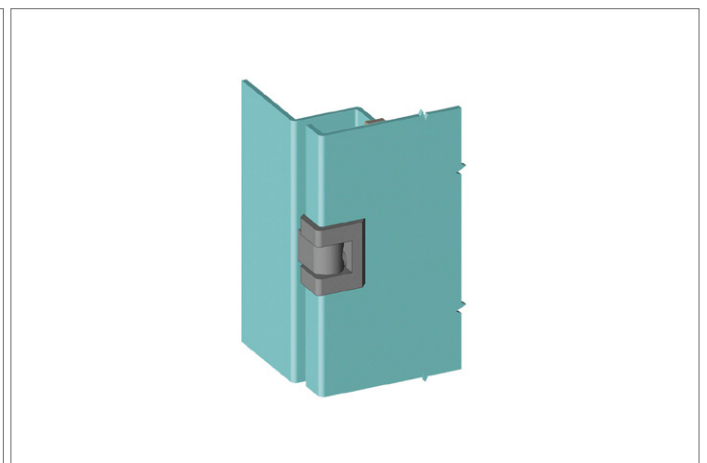
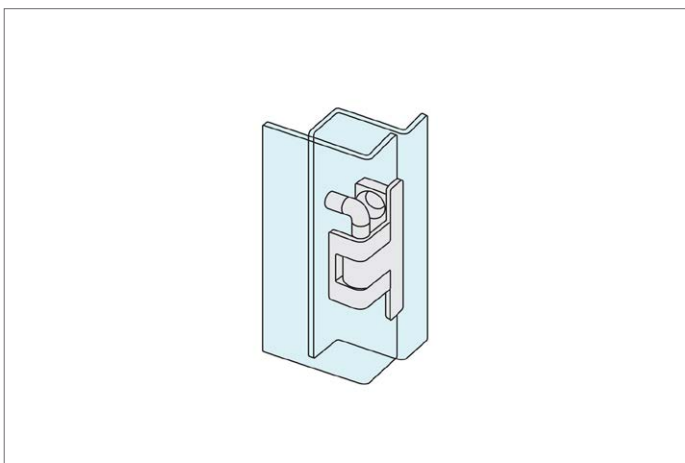
Mounting via M6 countersunk screws (not supplied).

#### Important Notes

dr= Maximum door return suitable for use with hinge.

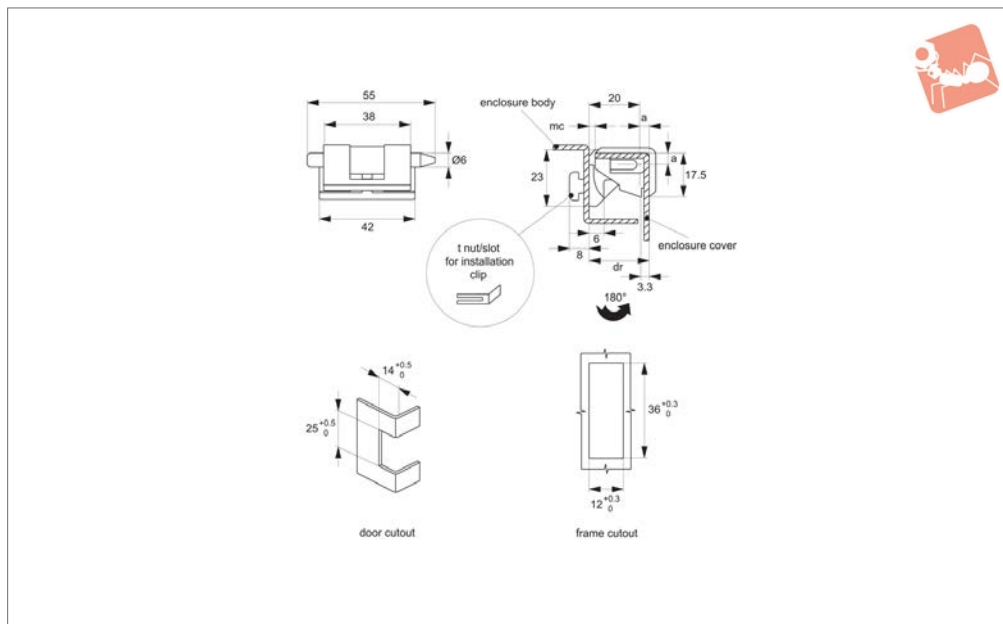
mc= Minimum clearance advised between enclosure cover and body to ensure smooth, full opening of enclosure cover.

Order No.	Finish	Door return	a	b	F <sub>y</sub> kN	F <sub>y</sub> kN	mc min.	ts panel thickness
S1926.AW0001	Black Coated	24.1	4.6	19.5	1.5	1.8	2.0	1.5
S1926.AW0002	Black Coated	24.6	5.1	19.5	1.5	1.8	2.0	2.0





### S1928



#### Material

Hinge: die cast zinc, black powder coated.  
Pin: steel, nickel-plated.

#### Technical Notes

Opening angle 180°.

#### Tips

Mounting via use of installation clip and

„t-nut“ slot on hinge body. Requires additional cutout in frame (see technical drawing).

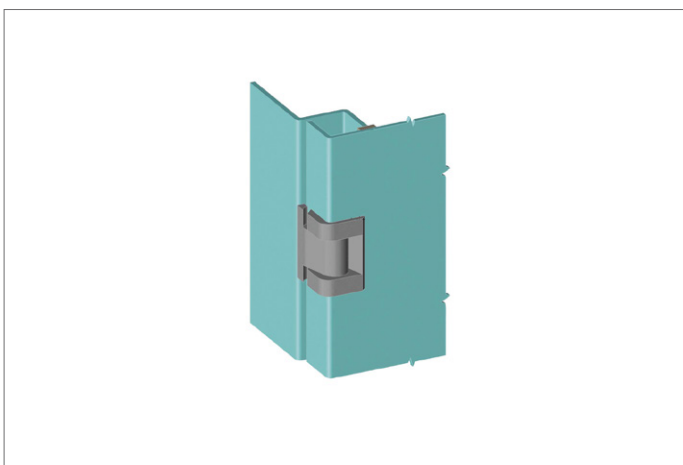
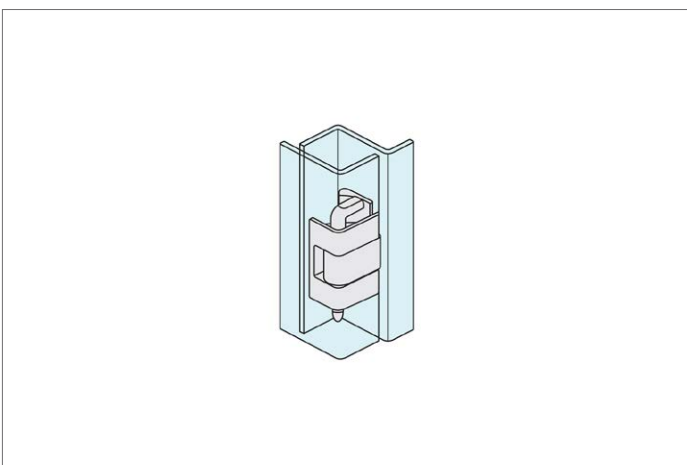
#### Important Notes

dr= Maximum door return suitable for use with hinge.

mc= Minimum clearance advised between

enclosure cover and body to ensure smooth, full opening of enclosure cover.

Order No.	Finish	Door return	a	b	F <sub>x</sub> N	F <sub>y</sub> N	mc min.	ts panel thickness
S1928.AW0001	Black Coated	24.6	4.6	20	1050	980	3	1.5
S1928.AW0002	Black Coated	25.1	5.1	20	1050	980	3	2.0
S1928.AW0003	Black Coated	26.1	6.1	20	1050	980	3	3.0



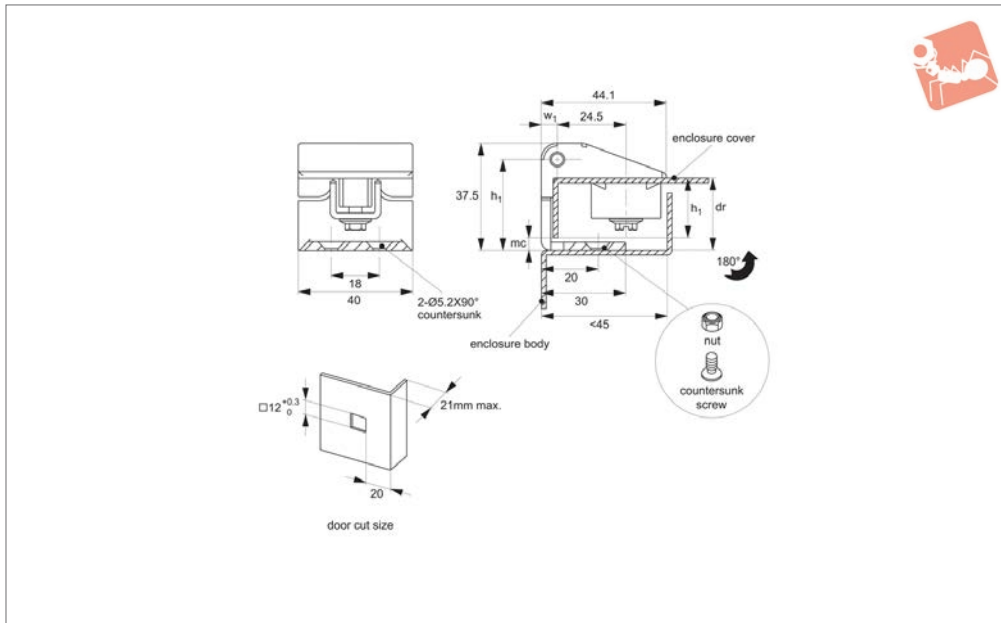


# Corner Hinge 25,5mm Door Return

cut out and countersunk screw - zinc



Hinges



**S1941**

HINGES

### Material

Door-part: die cast zinc, black coated.  
Frame-part and pin: steel, black coated.

### Technical Notes

For sheet metal and machine enclosures with a 25,5mm door return, up to 2mm

thick. For installation dimension see cut. Universal left or right hand opening doors. Max. opening angle 180°.

### Tips

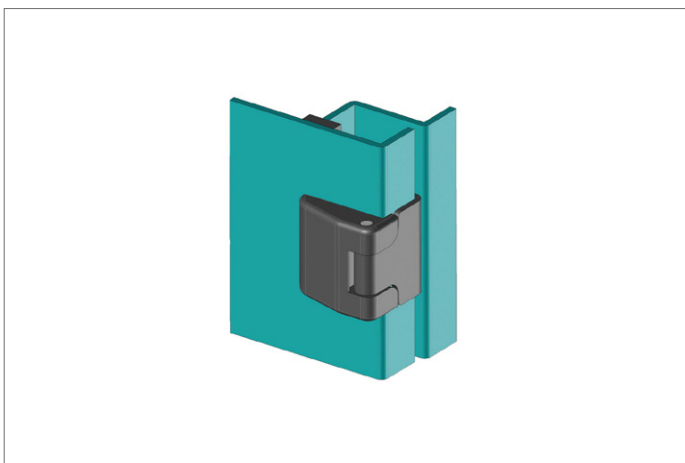
Mounting via M5 countersunk screws (not supplied), and support bracket (supplied)

### Important Notes

dr= Maximum door return suitable for use with hinge.

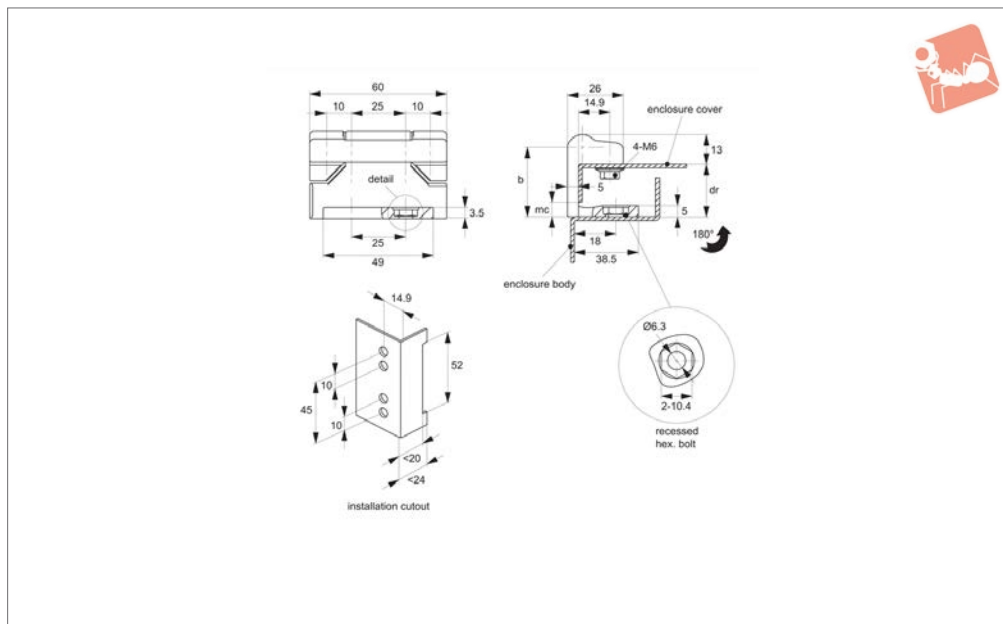
mc= Minimum clearance advised between enclosure cover and body to ensure smooth, full opening of enclosure cover.

Order No.	Finish	Door return	$h_1$	$w_1$	$F_x$ N	$F_y$ N	mc min.	ts panel thickness
S1941.AW0010	Black Coated	25.5	32	5.6	300	250	4	2





## S1942



### Material

Hinge: die cast zinc, black powder coated.  
Pin: steel, black-plated.  
Bearing washer: brass.

### Technical Notes

For sheet metal and machine enclosures with a 25,5mm door return, up to 2mm

thick. For installation dimension see cut.  
Universal left or right hand opening doors.  
Max. opening angle 180°.

### Tips

Mounting via M6 bolts with hex head of 10mm a/f (not supplied).

### Important Notes

DR= Maximum door return suitable for use with hinge.  
MC= Minimum clearance advised between enclosure cover and body to ensure smooth, full opening of enclosure cover.

Order No.	Finish	Door return	a	b	F <sub>x</sub> N	F <sub>y</sub> N	mc min.	ts panel thickness
S1942.AW010	Black Coated	25	5.6	32	980	630	5	2



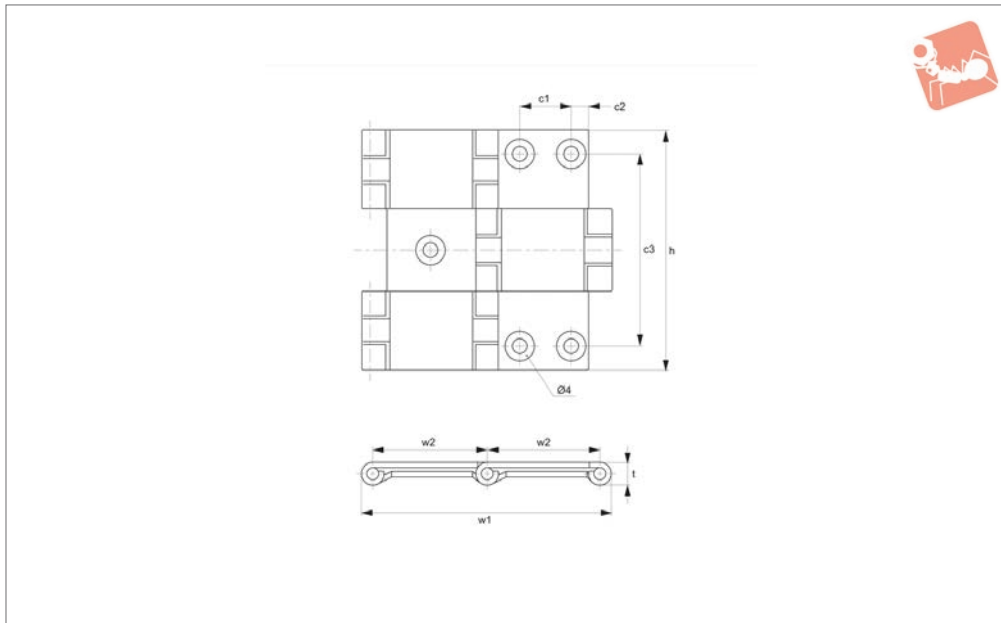


# Surface Mount - Double Pivot

screw mount - stainless steel



## Hinges



### S2010

HINGES

#### Material

Stainless steel, AISI 304, satin finish.

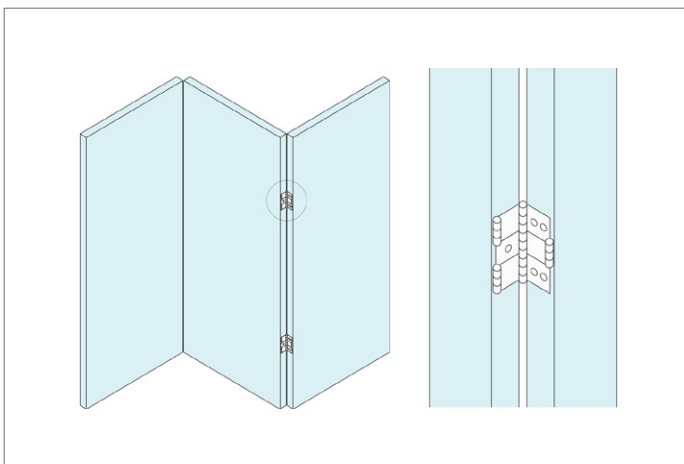
Max. door size - 450w x 700h x 21mm

thick. Max. door weight - 2,6Kg per hinge pair.

#### Technical Notes

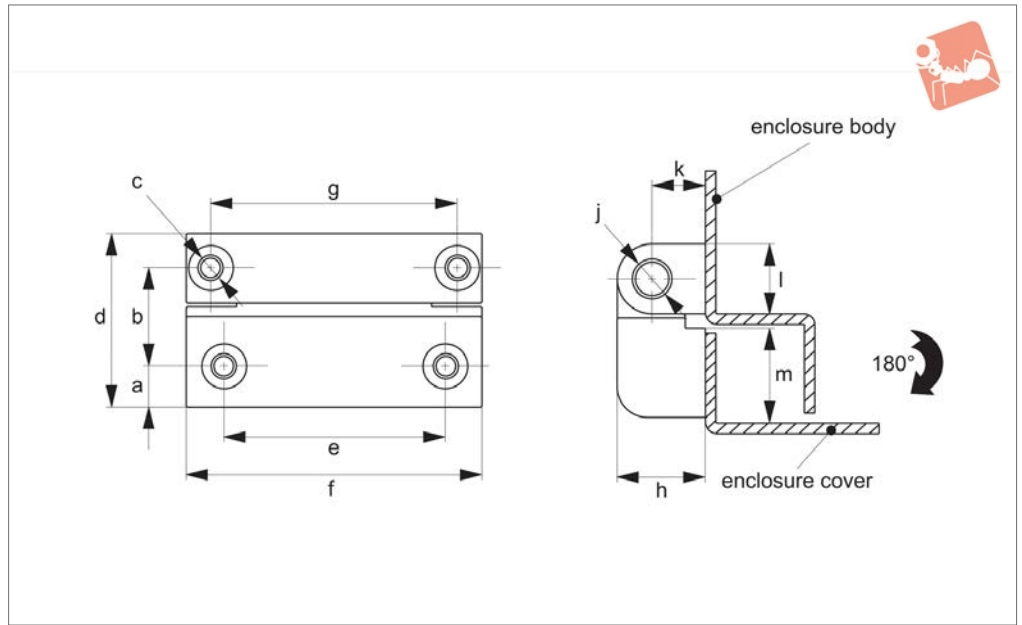
Universal left and right swing of 180°.

Order No.	c <sub>1</sub>	c <sub>2</sub>	c <sub>3</sub>	t	w <sub>1</sub>	w <sub>2</sub>	y	Weight g
S2010.AC0060	13.5	4.8	47	5.6	64	29.0	60	65
S2010.AC0070	13.5	6.8	57	7.5	78	35.0	70	130
S2010.AC0080	22.0	6.5	66	7.5	94	43.2	80	175





### S2015



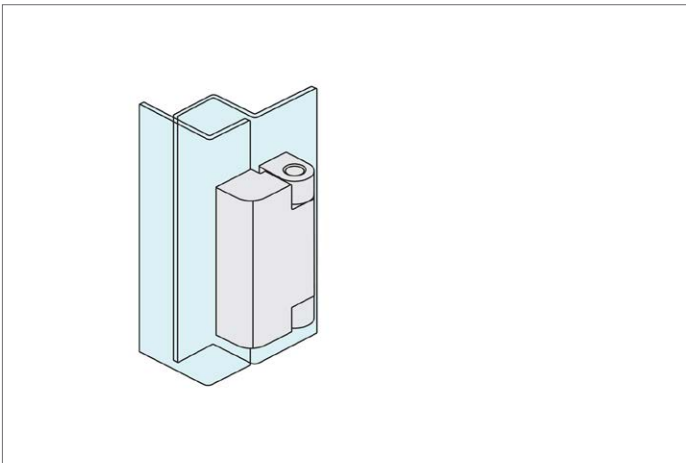
#### Material

Hinge: die cast zinc, black powder coated.  
Pin: steel, nickel-plated.

#### Technical Notes

Opening angle 180°. Mounting via screws  
dimension c.

Order No.	a	b	c	e	g	h	l	j	k	m	f	$F_x$ N	$F_y$ N	d
S2015.AW0022	4	13.0	M 4	22	22	13	10	Ø5	8	9.0	30	600	460	22.0
S2015.AW0028	4	18.5	M 4	22	22	13	10	Ø5	8	14.5	30	700	800	27.5
S2015.AW0035	8	20.0	M 5	45	50	18	14	Ø8	11	18.0	60	1000	1200	35.0



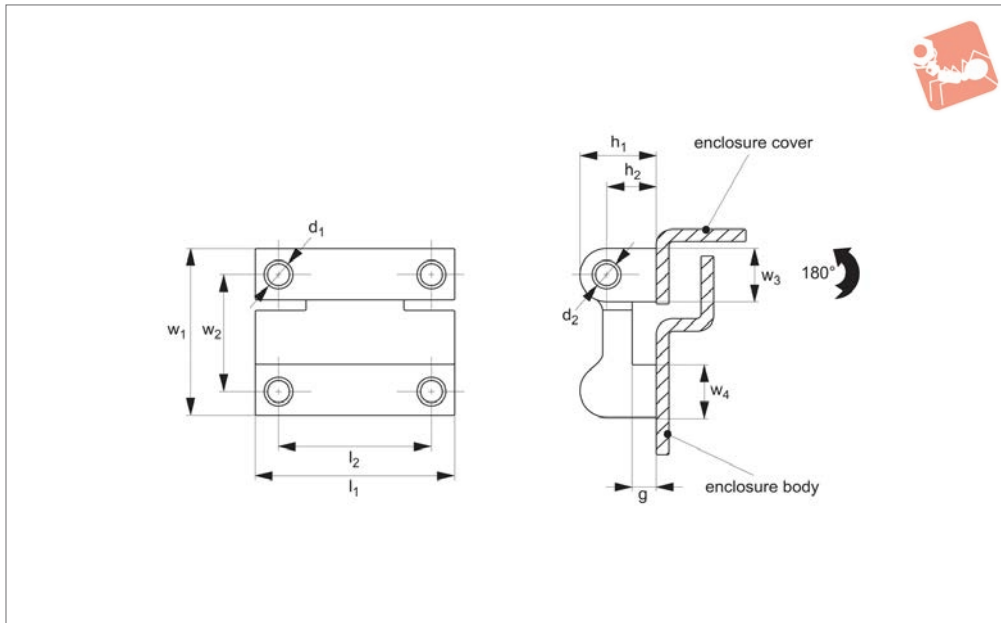


# Surface Mount - Off-Set - Mount

bolt-on - zinc



## Hinges



**S2017**

HINGES

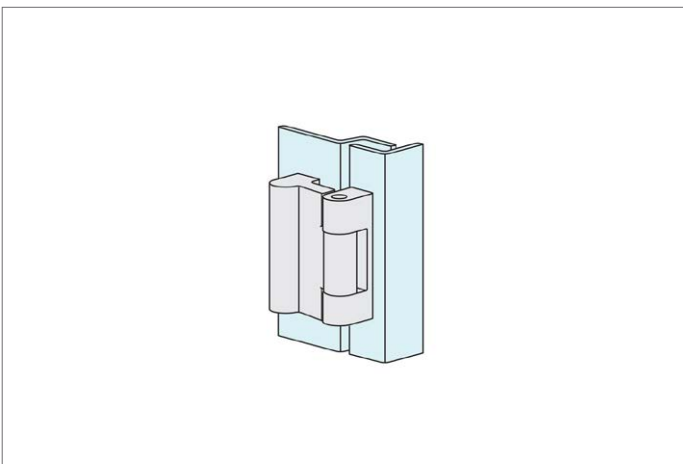
### Material

Body: die cast zinc, black powder coated.  
Pin: steel, nickel plated.

### Technical Notes

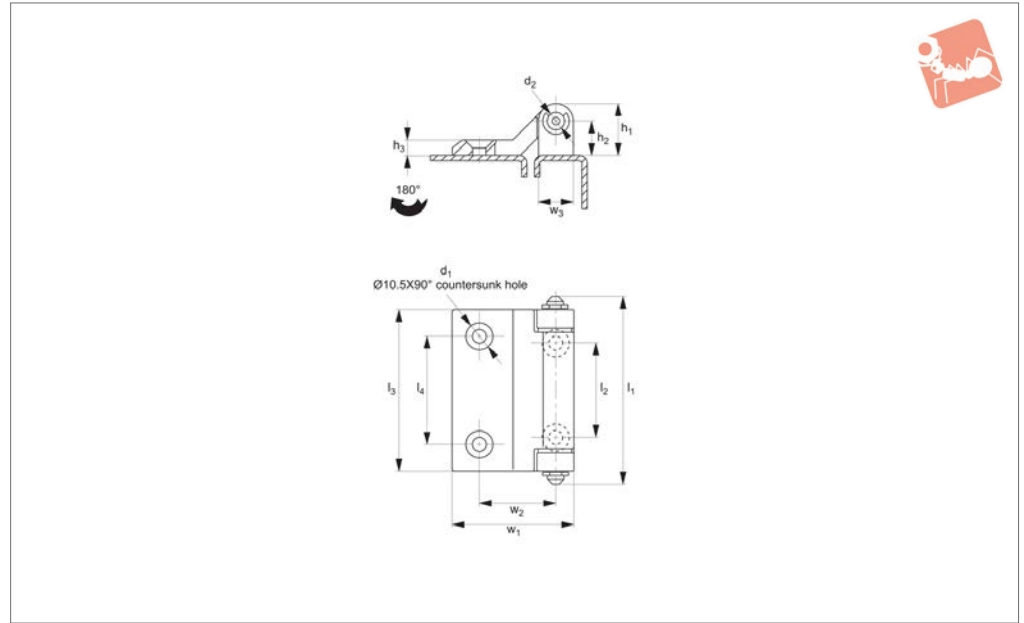
Opening angle 180°. Mounting via M4 screws.

Order No.	Finish	$h_1$	$h_2$	$l_1$	$l_2$	$w_1$	$w_2$	$w_3$	$w_4$	$F_x$ N	$F_y$ N	$d_1$	$d_2$	g off set
<b>S2017.AW0030</b>	Black Powder Coated	11.5	7.5	30	23	26	18	8	8	1150	700	M 4	4	3.5





### S2030



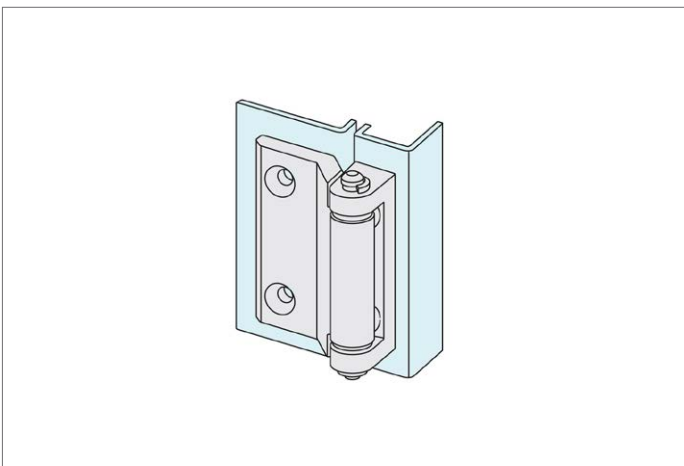
#### Material

Body: die cast zinc, black powder coated.  
Pin: steel, nickel plated.

#### Technical Notes

Opening angle 180°. Mount via M5 screw  
(not supplied).

Order No.	Finish	$h_1$	$h_2$	$h_3$	$l_1$	$l_2$	$l_3$	$l_4$	$w_1$	$w_2$	$w_3$	$F_x$ N	$F_y$ N	$d_1$	$d_2$
S2030.AW0030	Black Coated	18	13	6	70	35	60	40	45	28.7	13	55	75	5.5	6.5



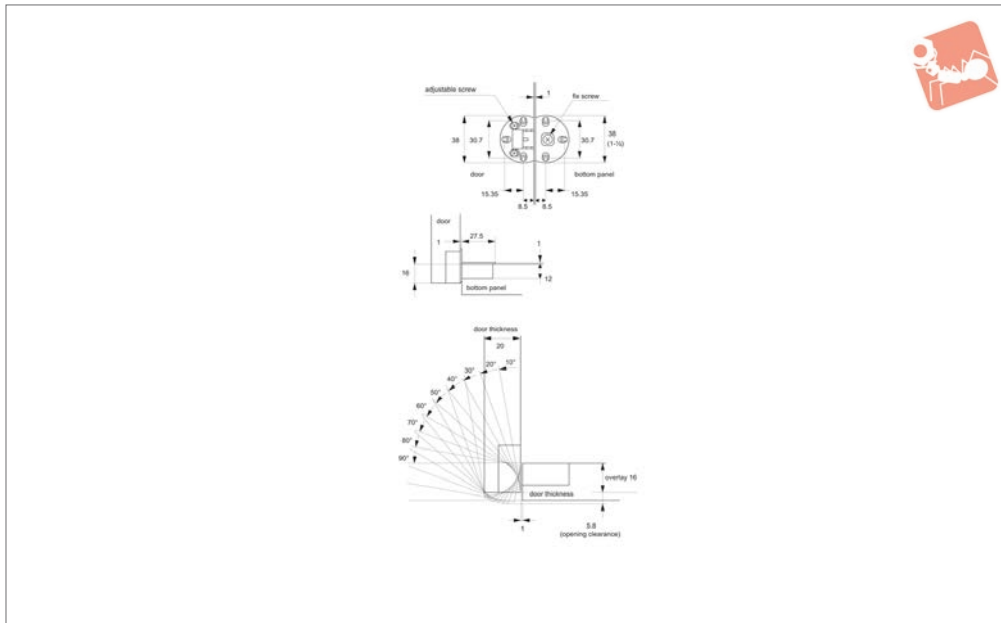


# Flush Mount - Drop Lid Hinges

overlay - zinc



## Hinges



**S2050**

HINGES

### Material

Die cast zinc, nickel plated.

### Technical Notes

Hinge flush when opened.

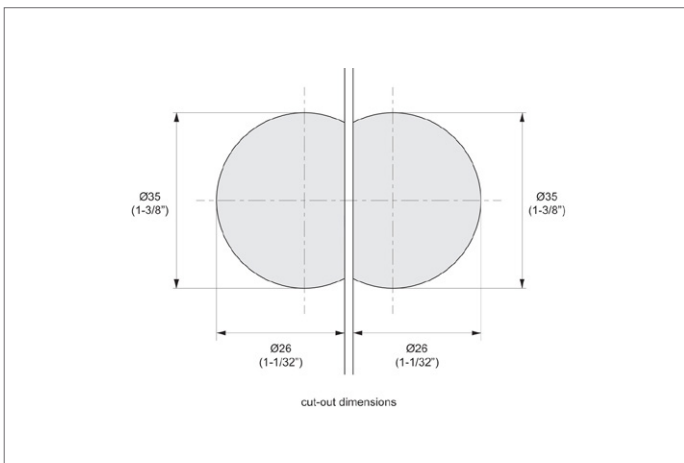
Max door thickness: 16-20mm. Overlay coverage: 14-16mm.

Hinge alignment adjustable after installation. Max. opening angle 90°.

### Important Notes

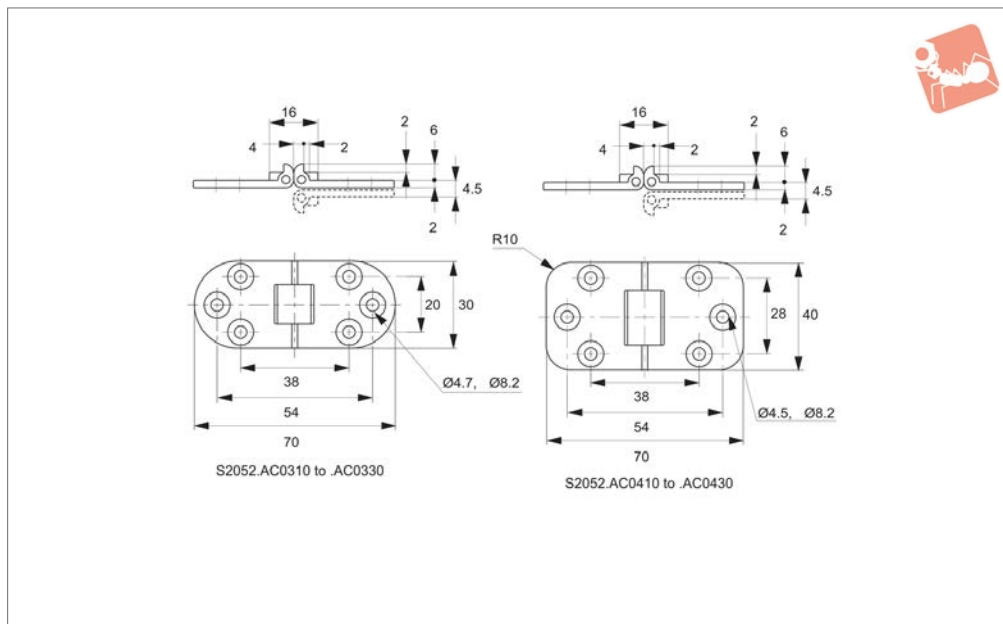
Ideal for use in hi-fi cabinets, writing desks etc.

Order No.	Door thickness max.	Hinge dia.	Weight g
S2050.AC0038	16-20mm	38	79





### S2052



#### Material

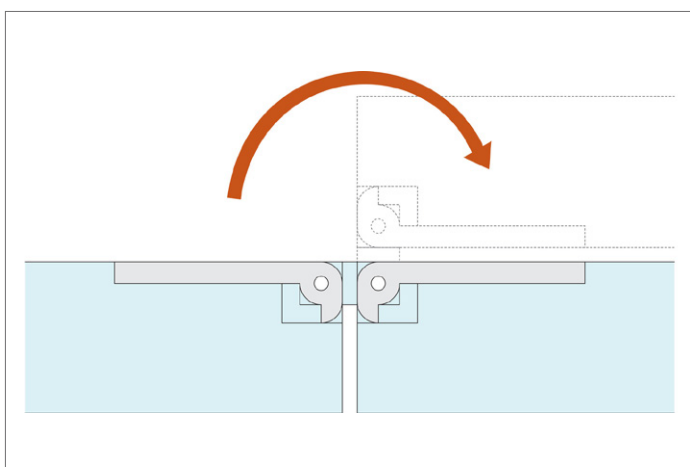
Brass, finished either as polished brass, satin nickel or chrome plating.

#### Technical Notes

Max. door size: 450w x 700h x 21mm thick.  
Provides 180° opening to table tops and

flat surfaces.

Order No.	Finish	Size	Weight capacity per pair	
			kg max.	Weight g
S2052.AC0310	Satin Nickel	30	4.0	45
S2052.AC0320	Chrome	30	4.0	45
S2052.AC0330	Brass	30	4.0	45
S2052.AC0410	Satin Nickel	40	4.0	64
S2052.AC0420	Chrome	40	4.0	64
S2052.AC0430	Brass	40	4.0	64



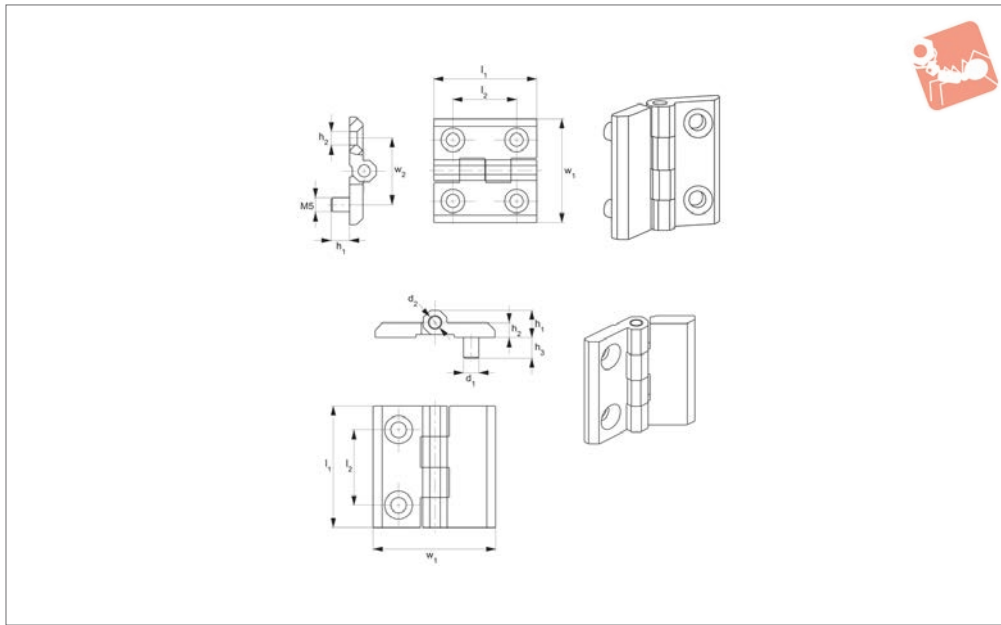


# Surface Mount - Leaf Hinges

rear front mount



## Hinges



### S1102

HINGES

#### Material

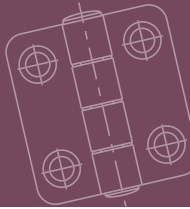
Die Cast Zinc, Black Powder Coated Pin: steel, nickel plated.  
Die Cast Zinc, Chrome Finish Pin: steel,

nickel plated.

#### Technical Notes

For plain/flush mounted doors, as well as electrical panels and covers.

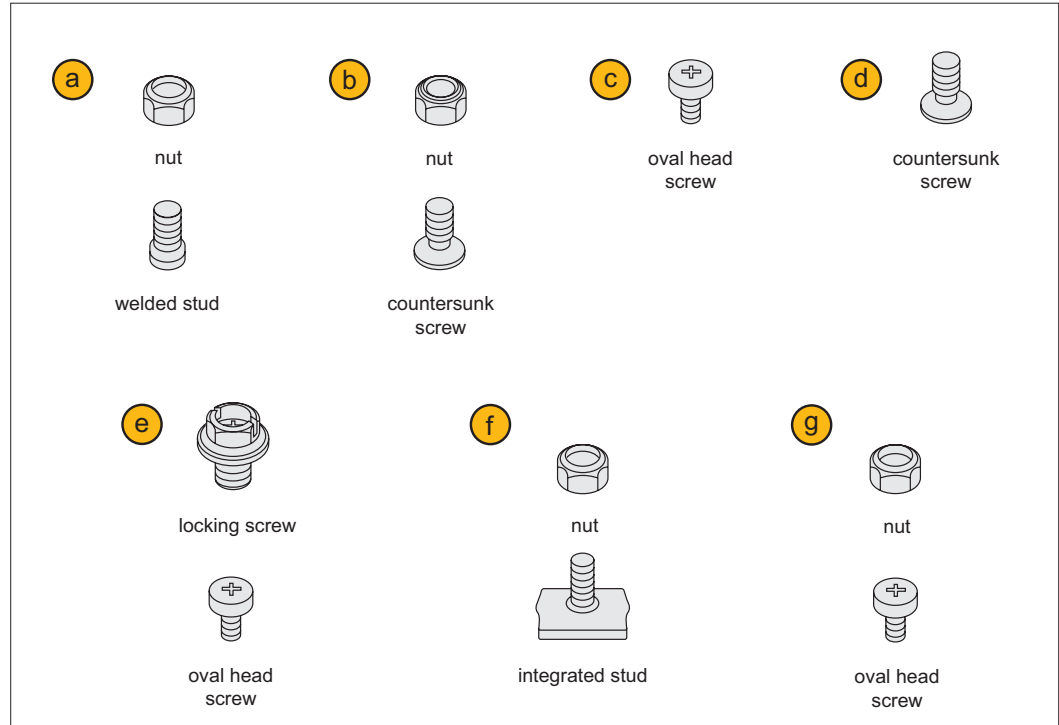
Order No.	Type	Size	$h_1$	$h_2$	$h_3$	$l_1$	$l_2$	$w_1$	$w_2$	$d_1$	$d_2$	90° Angled stress	Axial stress kN	Radial stress kN
<b>S1102.AW0040</b>	Black Coated	40x40	9.0	5	10.0	40	25	40	25	M 5	4	2.0	1.45	2.1
<b>S1102.AW0050</b>	Black Coated	50x50	11.5	6	12.5	50	30	50	30	M 6	6	2.45	2.1	3.5
<b>S1102.AW0140</b>	Chrome	40x40	9.0	5	10.0	40	25	40	25	M 5	4	-	-	-
<b>S1102.AW0150</b>	Chrome	50x50	11.5	6	12.5	50	30	50	30	M 6	6	-	-	-



### A variety of mounting methods are available!

#### Mounting combinations

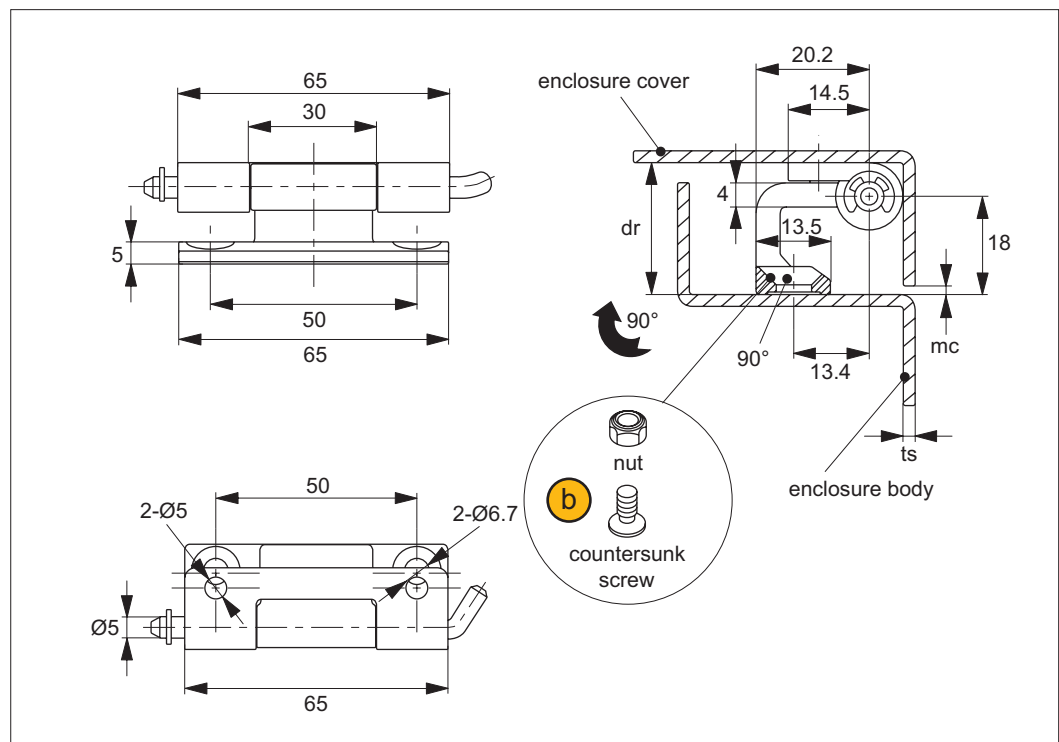
Wixroyd concealed hinges can be mounted in a variety of ways using additional nuts and bolts.



**Important Note:** Refer to individual product pages for suitable mounting options. If you have any problems please contact our Technical Sales Team.

#### Mounting example

In the example, mounting option ②, a nut with a countersunk screw, is used to mount the hinge onto the enclosure body.

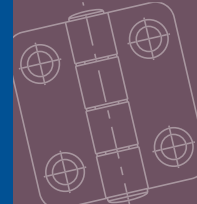




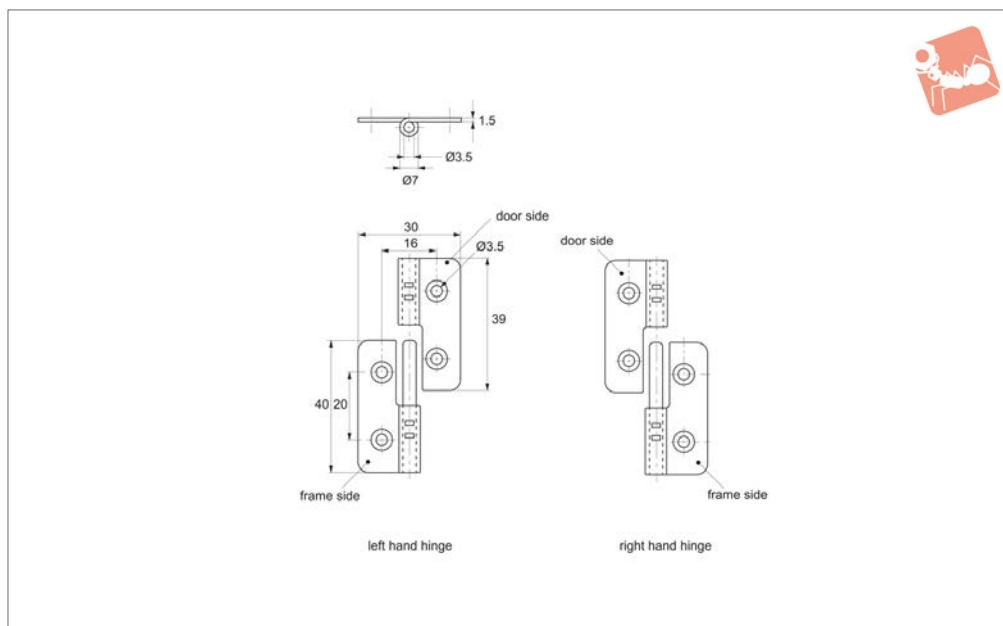


# Lift-Off Hinges - Off-Set

screw mount - stainless steel



## Hinges



### S2300

HINGES

#### Material

Stainless steel, AISI 304, polished finish.

#### Important Notes

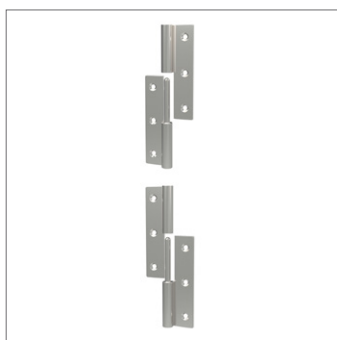
Product stamped with an „L“ does not

mean it is a left hand hinge - it fixes to the right hand part of the frame.

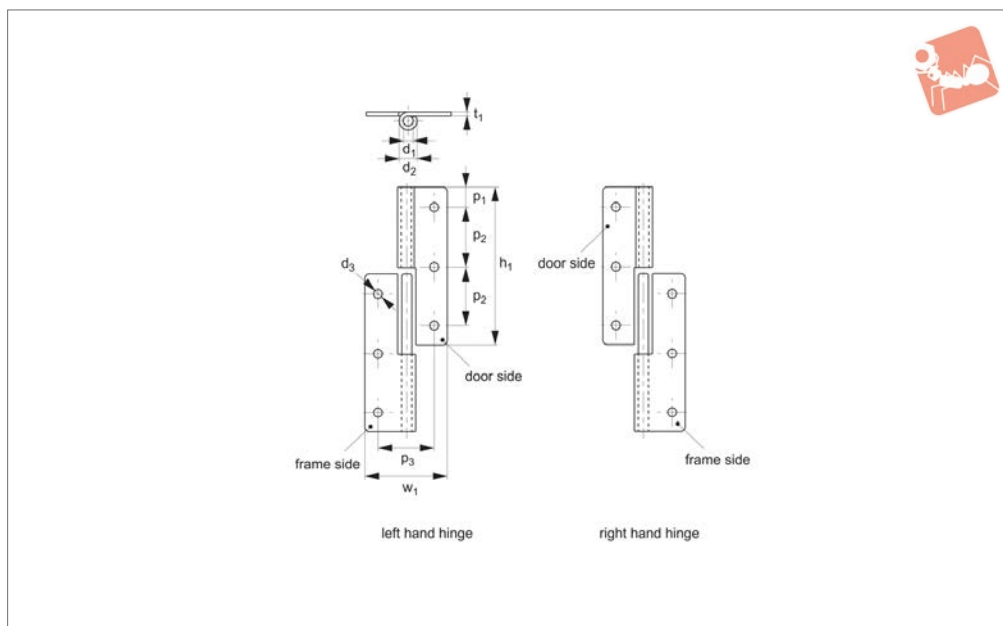
Product stamped with an „R“ does not mean it is a right hand hinge - it fixes to

the left hand side of the frame.

Order No.	t	Type	Weight g
S2300.AC0010	1.5	Right	21
S2300.AC0110	1.5	Left	21



### S2320



#### Material

Stainless steel, AISI 304, polished finish.

#### Technical Notes

Opening angle 180°.

#### Important Notes

Product stamped with an „L“ does not mean it is a left hand hinge - it fixes to the

right hand part of the frame.

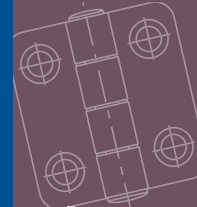
Product stamped with an „R“ does not mean it is a right hand hinge - it fixes to the left hand side of the frame.

Order No.	t	Type	h	w	p <sub>1</sub>	p <sub>2</sub>	p <sub>3</sub>	Ø d <sub>1</sub>	Ø d <sub>2</sub>	Ø d <sub>3</sub>	Weight g
S2320.AC0050	1.5	Right	50	32	5.0	20	21	7.5	4	3.2	32
S2320.AC0064	1.5	Right	64	36	8.0	24	24	7.5	4	3.2	44
S2320.AC0075	2.0	Right	75	38	7.5	30	24	8.5	4	3.2	64
S2320.AC0150	1.5	Left	50	32	5.0	20	21	7.5	4	3.2	32
S2320.AC0164	1.5	Left	64	36	8.0	24	24	7.5	4	3.2	44
S2320.AC0175	2.0	Left	75	38	7.5	30	24	8.5	4	3.2	64

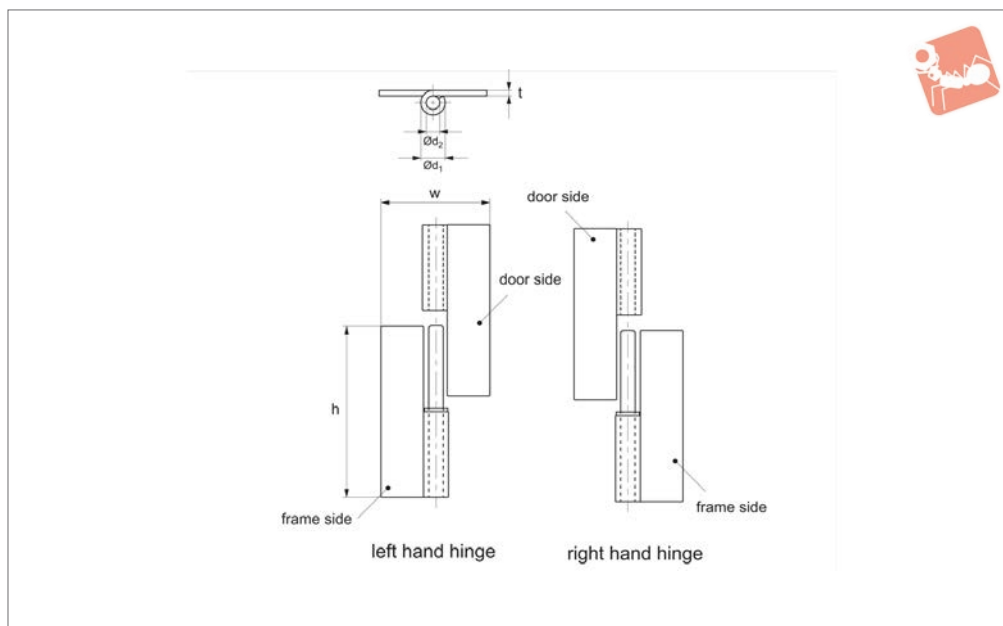


# Lift-Off Hinges - Off-Set

weld-on - stainless steel



## Hinges



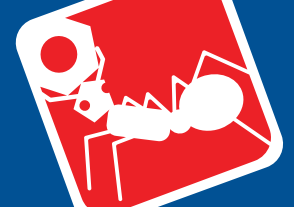
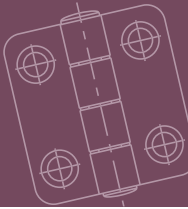
### S2340

HINGES

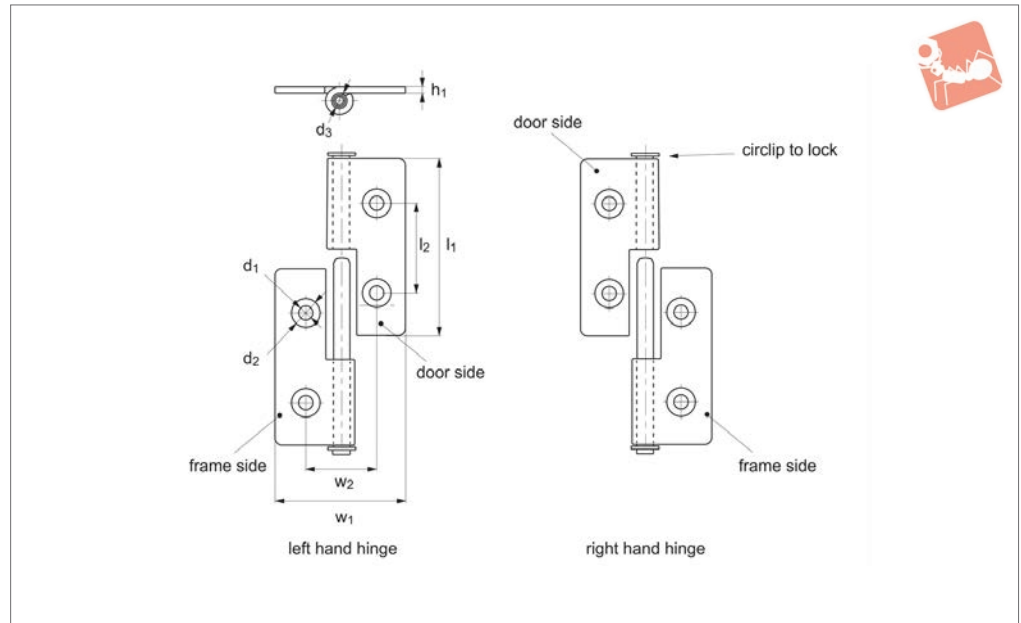
#### Material

Stainless steel, AISI 304, polished finish.

Order No.	t	Type	h	w	d <sub>1</sub>	d <sub>2</sub>	Weight g
S2340.AC0010	4	Right	100	82	16	8	335
S2340.AC0110	4	Left	100	82	16	8	335



### S2314



#### Material

Body: stainless steel 304.

#### Technical Notes

Opening angle 180°.

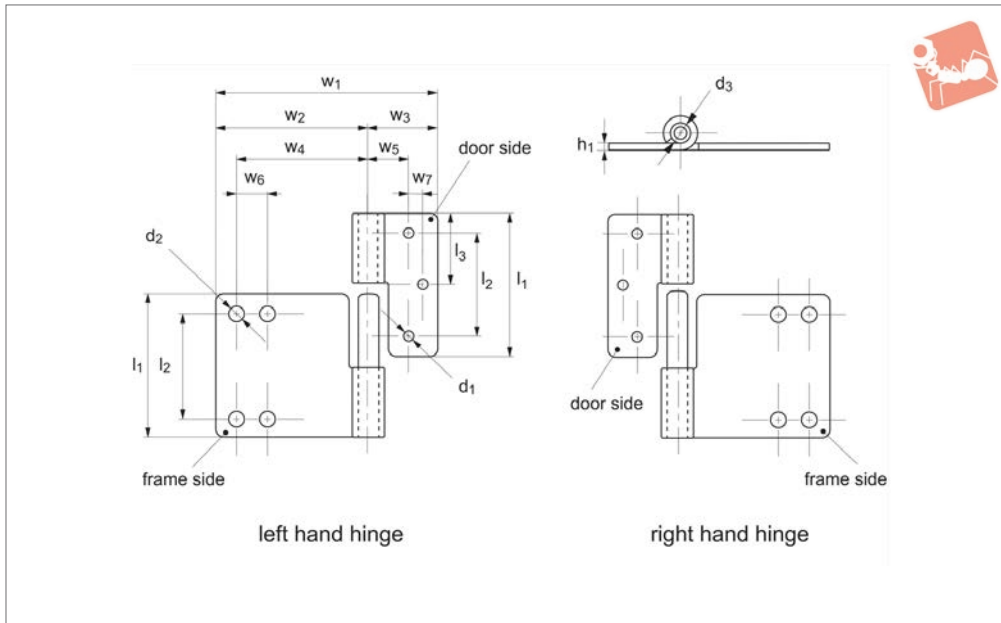
Order No.	Type	$l_1$	$w_1$	$d_1$	$d_2$	$d_3$	$h_1$	$l_2$	$w_2$	$F_x$ N	$F_y$ N
S2314.AW0010	Left	40	30	3.1	6.1	3.5	1.5	20	16	305	470
S2314.AW0020	Right	40	30	3.1	6.1	3.5	1.5	20	16	305	470



# Lift-Off Hinges - Off set screw mount - stainless steel



## Hinges



**S2316**

HINGES

### Material

Body: stainless steel.

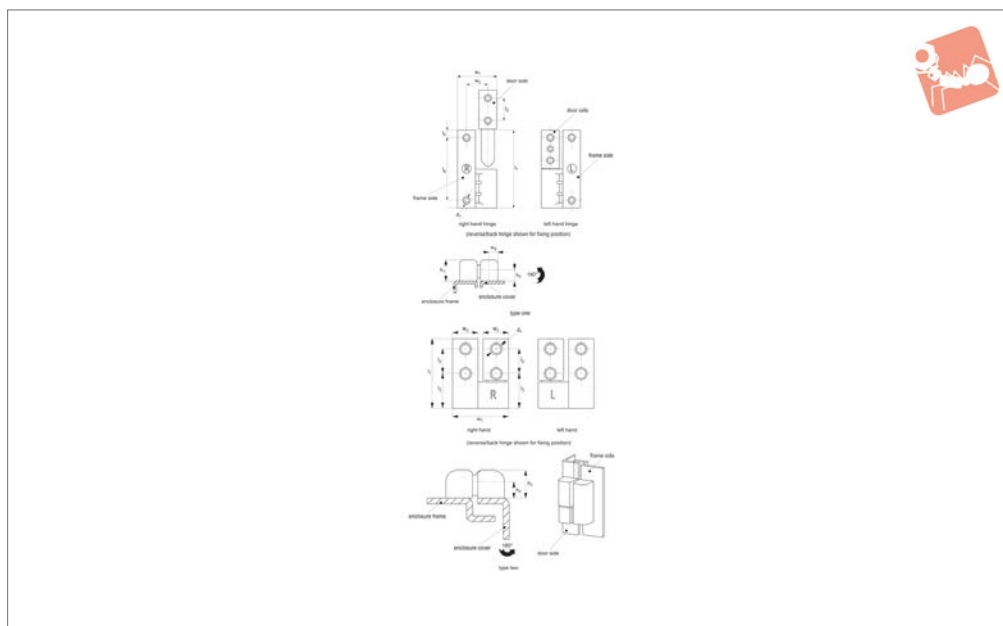
### Technical Notes

Opening angle 180°.

Order No.	Type	$l_1$	$w_1$	$d_1$	$d_2$	$d_3$	$h_1$	$l_2$	$l_3$	$w_2$	$w_3$	$w_4$	$w_5$	$w_6$	$w_7$	$F_x$ N	$F_y$ N
<b>S2316.AW0010</b>	Left Hand	72	110	4.2	8.1	10	3	52	36	75	35	65	20	15	7.5	1280	630
<b>S2316.AW0020</b>	Right Hand	72	110	4.2	8.1	10	3	52	36	75	35	65	20	15	7.5	1280	630



## S2404



### Material

**Type one:** Body: die cast zinc, black powder coated.

Bushing: polyamide.

**Type two:** Body: die cast zinc, black powder

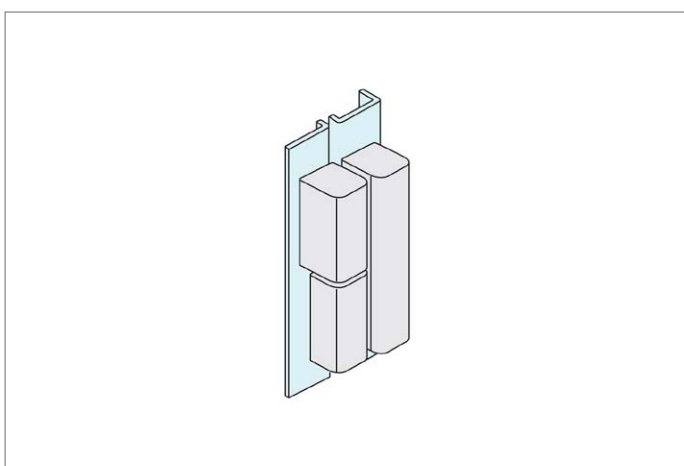
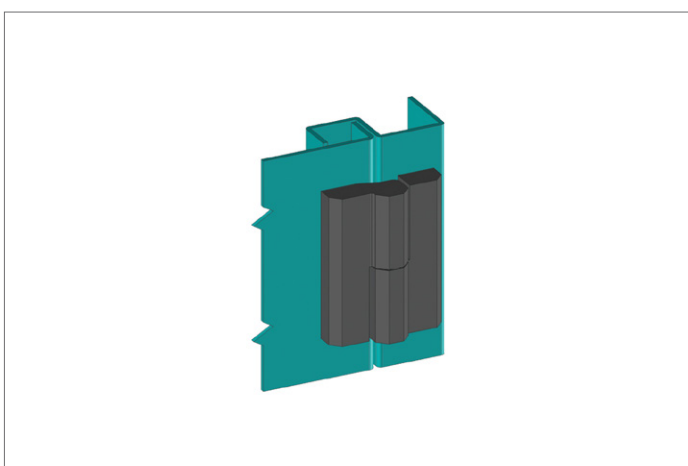
coated.

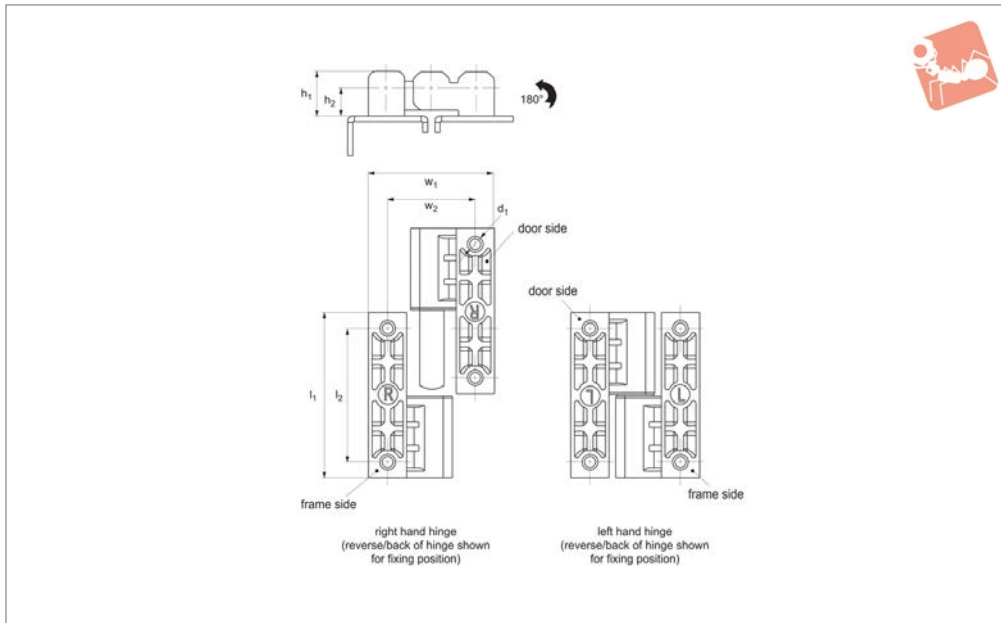
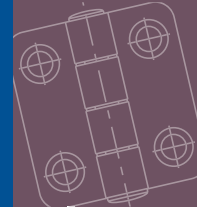
Natural unfinished available on request, subject to minimum order quantity.

### Technical Notes

Lift off hinge for plain/flush mounted doors. Concealed mounting screws prevent external access to the hinge. Opening angle 180°.

Order No.	Type	Hand	$l_1$	$w_1$	$d_1$	$h_1$	$h_2$	$l_2$	$l_3$	$l_4$	$l_5$	$w_2$	$w_3$	$F_x$ N
S2404.AW0025	One	Right	64.0	32.5	M 5	17.5	10.0	19	-	51	6.5	17.5	-	490
S2404.AW0125	One	Left	64.0	32.5	M 5	17.5	10.0	19	-	51	6.5	17.5	-	490
S2404.AW0064	Two	Right	25.5	20.5	M 4	10.0	5.5	9	13	-	-	-	9.4	270
S2404.AW0164	Two	Left	25.5	20.5	M 4	10.0	5.5	9	13	-	-	-	9.4	270





## S2406

HINGES

### Material

Hinge: die cast zinc.  
Bushing: polyamide.

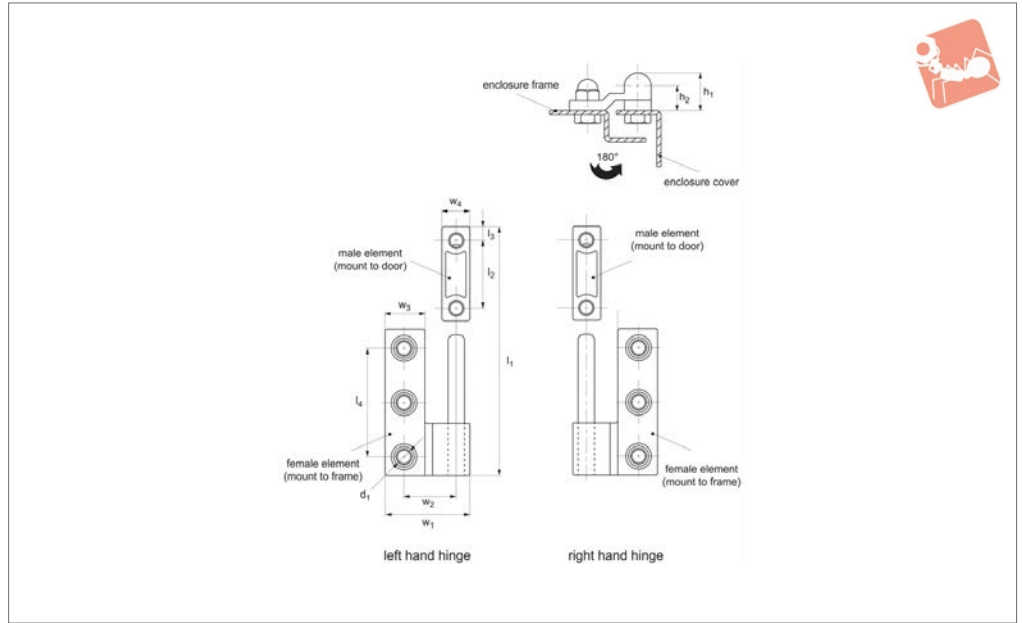
### Technical Notes

Opening angle 180°.

Order No.	Type	$l_1$	$w_1$	$d_1$	$h_1$	$h_2$	$l_2$	$w_2$	$F_x$ N	$F_y$ N
<b>S2406.AW0064</b>	Right	64	50	M5	17.5	10	51	35	3300	880
<b>S2406.AW0164</b>	Left	64	50	M5	17.5	10	51	35	3300	880



### S2408



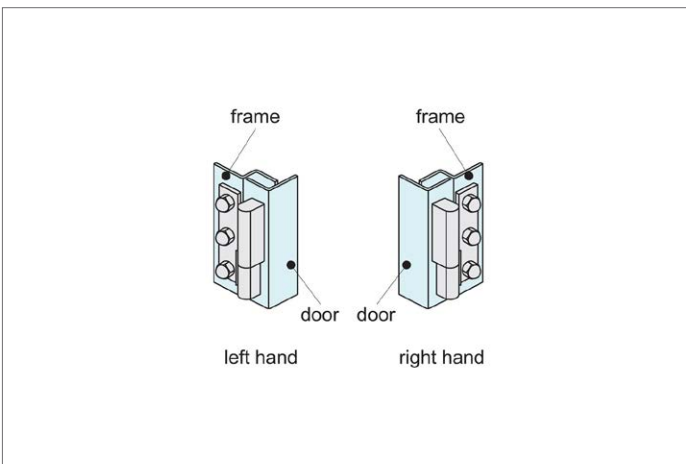
#### Material

Body: die cast zinc, black powder coated.  
Pin: steel, nickel plated.

#### Technical Notes

Opening angle 180°.

Order No.	Type	$l_1$	$w_1$	$d_1$	$h_1$	$h_2$	$l_2$	$l_3$	$l_4$	$w_2$	$w_3$	$w_4$
S2408.AW0062	Right	62	36	M6	16	10	29	5.5	46	22	16	12
S2408.AW0162	Left	62	36	M6	16	10	29	5.5	46	22	16	12

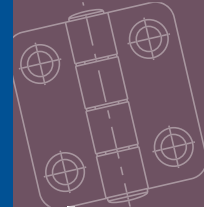




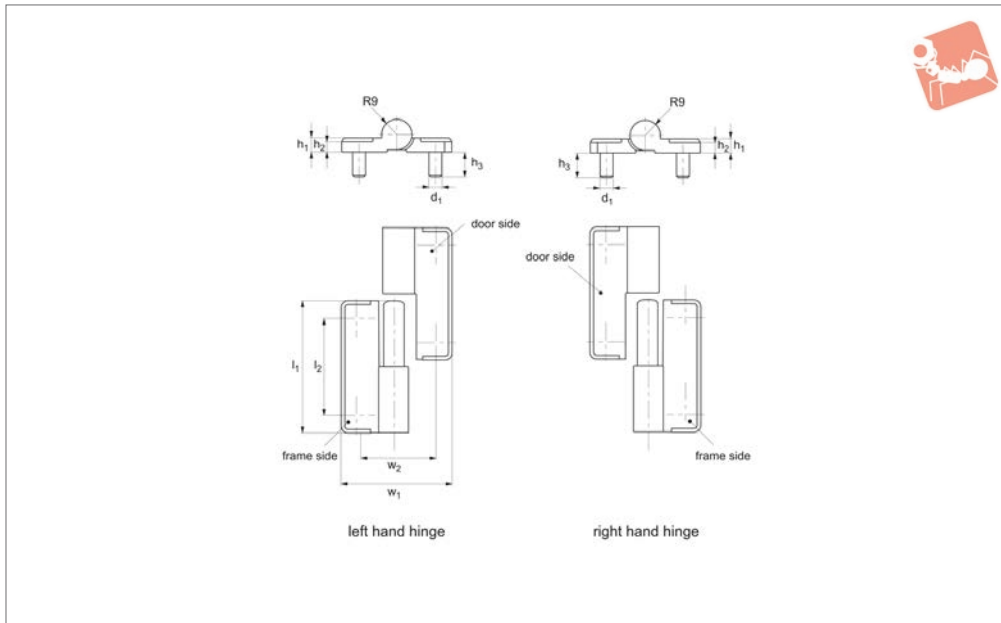


# Lift-Off Hinges - In Line

bolt on - zinc



## Hinges



## S2420

HINGES

### Material

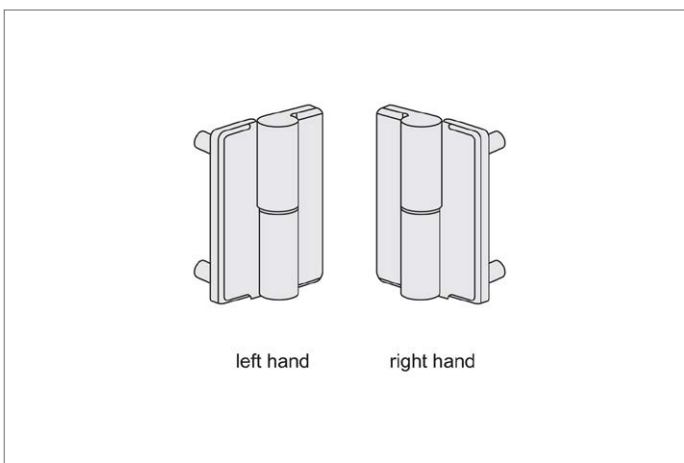
Hinge: die cast zinc, black powder coated.  
Screw: stainless steel.

### Technical Notes

Using a left and a right handed hinge the door will not be removable, where as using

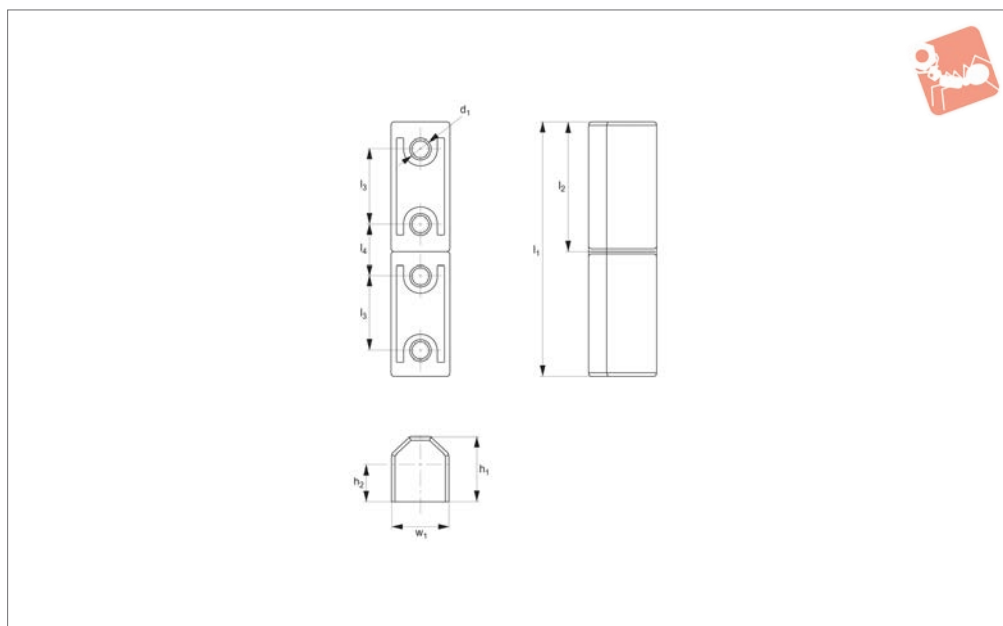
two hinges of the same type the door will be removable. Opening angle 180°.

Order No.	Type	$l_1$	$w_1$	$d_1$	$h_1$	$h_2$	$h_3$	$l_2$	$w_2$	$F_x$ N	$F_y$ N
S2420.AW0010	Left	80	64	M 8	10	8	14	60	45	1500	1800
S2420.AW0110	Right	80	64	M 8	10	8	14	60	45	1500	1800





### S2500



#### Material

Body: die cast zinc, chrome plated or black powder coated.  
 Bushing: polyamide.

#### Technical Notes

Universal left or right hand opening doors.  
 For external mounting on cabinets, surface mounted doors, sheet metal doors etc.

Mounting via concealed 4xM 5 screws.  
 Opening angle 180°.

Order No.	Finish	$l_1$	$w_1$	$d_1$	$h_1$	$h_2$	$l_2$	$l_3$	$l_4$	$F_x$ N	$F_y$ N
S2500.AW0010	Chrome	64	15	M 5	17	10	32	19	13	600	1500
S2500.AW0020	Black Coated	64	15	M 5	17	10	32	19	13	600	1500

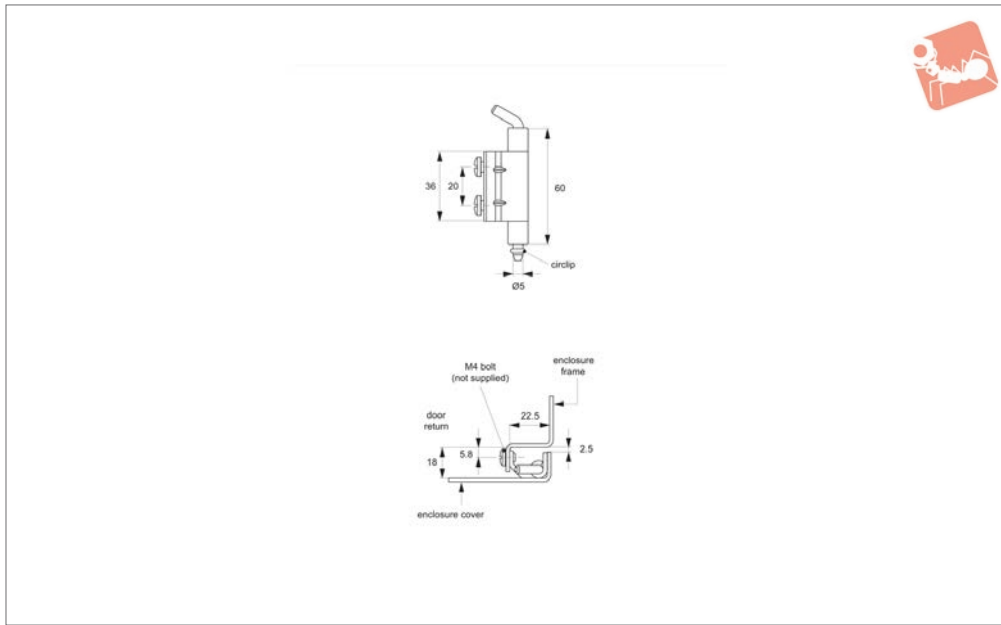


# Concealed Pivot Hinges - Lift Off

20 mm door return - weld or stud - steel



Hinges



**S2104**

HINGES

**Material**

Steel and stainless steel (304 and 316).

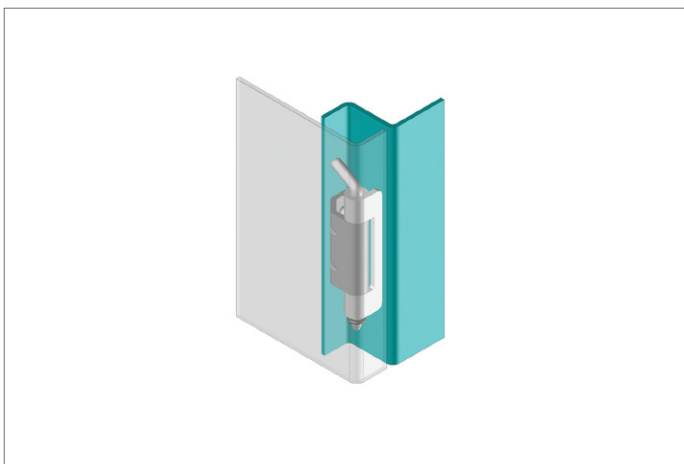
**Technical Notes**

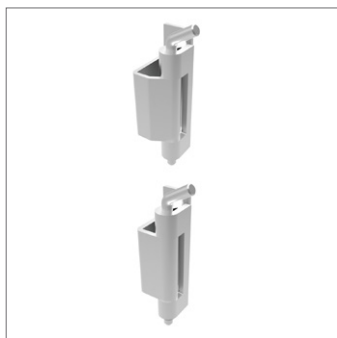
Suited to sheet metal and machine enclos-

ures with door return. Main body mounted via two M 4 screws. Hinge plate either welded or screwed to enclosure body. Removable hinge pin enables easy installa-

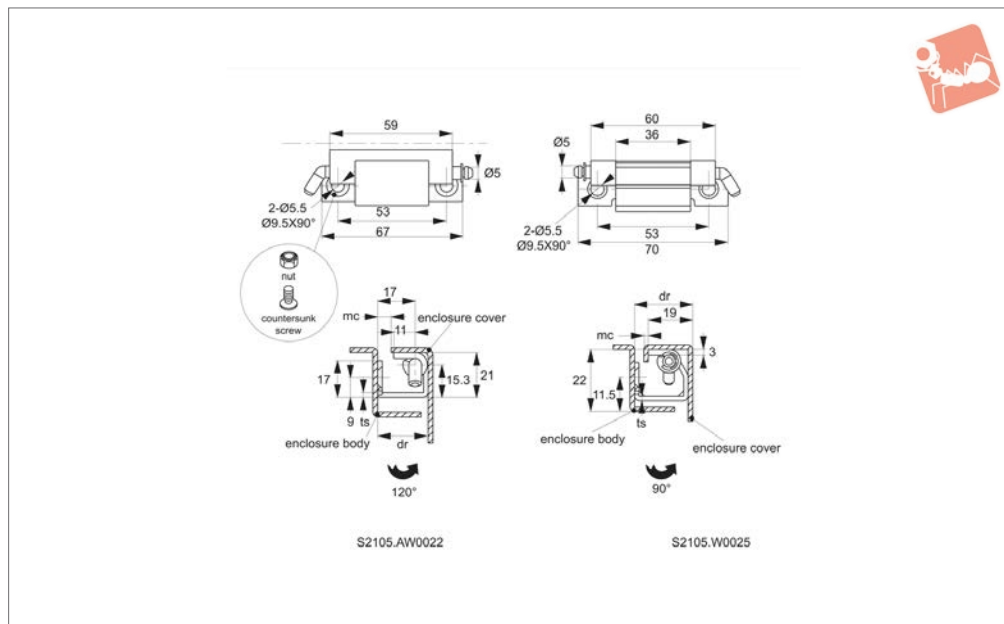
tion and is held in place via circlip. Max. opening angle 120°.

Order No.	Material	Door return	Size	F <sub>x</sub> N	F <sub>y</sub> N
S2104.AW0020	Steel	20	60 x 22,5 x 20	280	250
S2104.AW0120	304 Stainless	20	60 x 22,5 x 20	-	-
S2104.AW0220	316 Stainless	20	60 x 22,5 x 20	-	-





### S2105



#### Material

Body & hinge: steel, white zinc plated.

mounted via two M5 screws. Hinge plate either welded or screwed to enclosure body.

#### Technical Notes

Suited to sheet metal and machine enclosures with 22-25mm door return. Main body

Removable hinge pin enables easy installation and is held in place via circlip. Max. opening angle 120° or 90°.

#### Important Notes

dr= Maximum door return suitable for use with hinge.

mc= Minimum clearance advised between enclosure cover and body to ensure smooth, full opening of enclosure cover.

Order No.	Door return	Size	F <sub>x</sub> N	F <sub>y</sub> N	mc min.	ts thickness
S2105.AW0022	25	59 x 21 x 22	120	310	4.5	2.5
S2105.AW0025	22	60 x 22 x 25	120	310	4.0	2.5



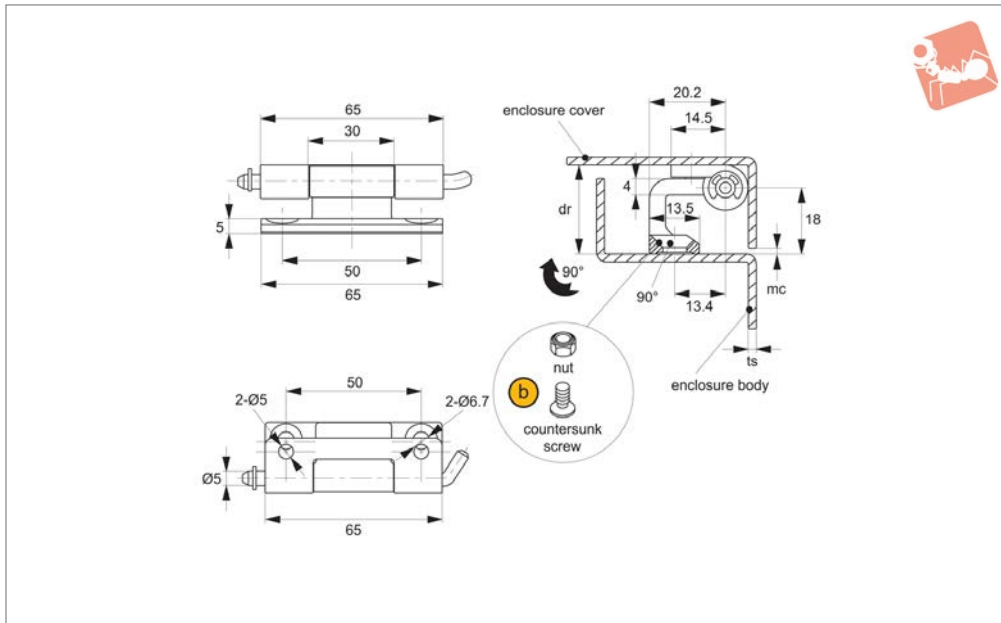


# Concealed Pivot Hinges - Lift Off

23mm door return - weld and countersunk screw



Hinges



**S2115**

HINGES

### Material

Hinge & pin: steel, white zinc plated.

### Technical Notes

Suited to sheet metal and machine enclosures with 23mm door return. When the gap between the door and frame is 2mm, opening angle is 90°.

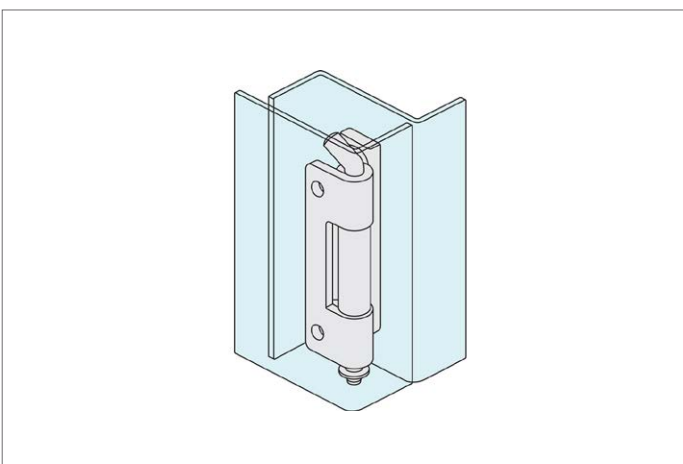
Main body mounted via M6 screws, hinge plate either welded or screwed to enclosure with M5 screws. Removable hinge pin enables easy installation and is held in place via circlip. Opening angle 180°.

### Important Notes

dr= Maximum door return suitable for use with hinge.

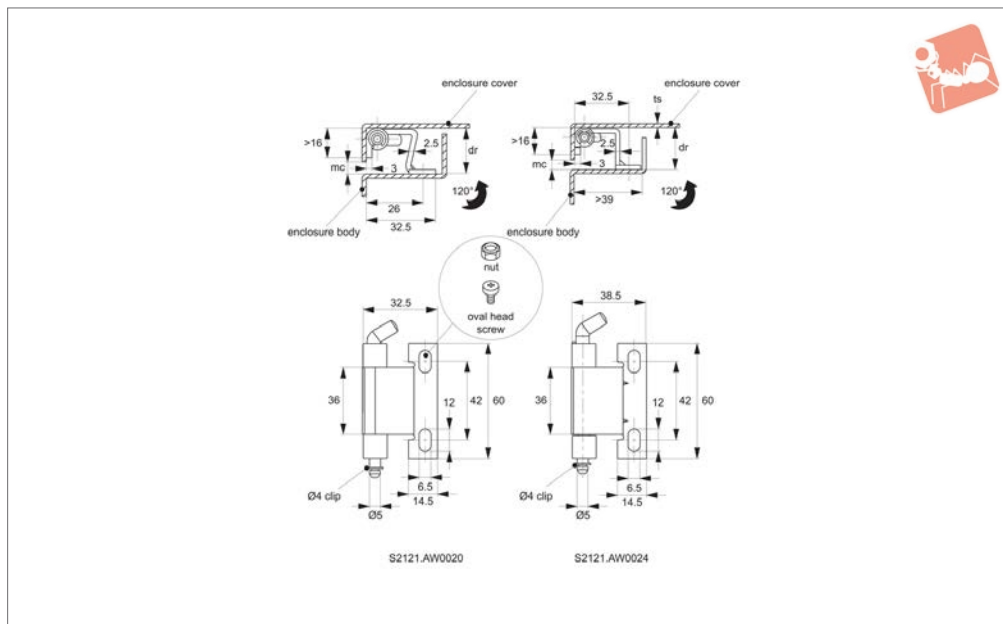
mc= Minimum clearance advised between enclosure cover and body to ensure smooth, full opening of enclosure cover.

Order No.	Door return	Size	F <sub>x</sub> N	F <sub>y</sub> N	mc min.	ts panel thickness
S2115.AW0024	23.8	65 x 23 x 20,2	900	700	2	2





### S2121



#### Material

Hinge & pin: steel, white zinc plated.

#### Technical Notes

Suited to sheet metal and machine enclosures with door return of 20-24mm. Main body mounted via two M6 screws, hinge

plate welded to frame.

Removable hinge pin enables easy installation, and is held in place via circlip. Max. opening angle 120°.

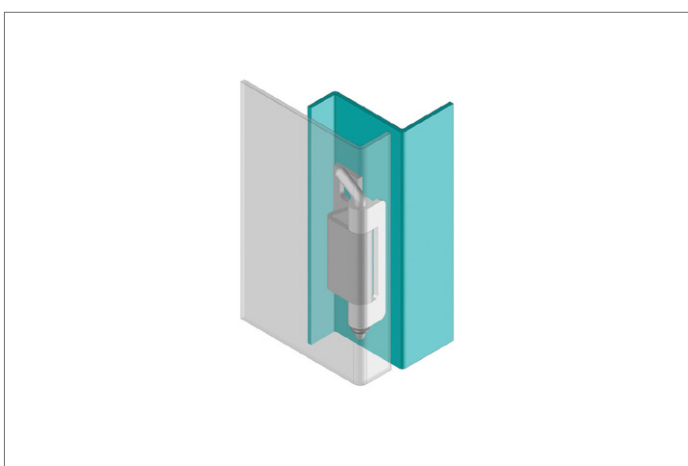
#### Important Notes

dr= Maximum door return suitable for use

with hinge.

mc= Minimum clearance advised between enclosure cover and body to ensure smooth, full opening of enclosure cover.

Order No.	Door return	Size	F <sub>x</sub> N	F <sub>y</sub> N	mc min.	ts panel thickness
S2121.AW0020	20.0	60,0 x 32,5 x 20,0	350	778	3	2.0
S2121.AW0024	24.5	60,0 x 38,5 x 24,5	350	778	3	2.0



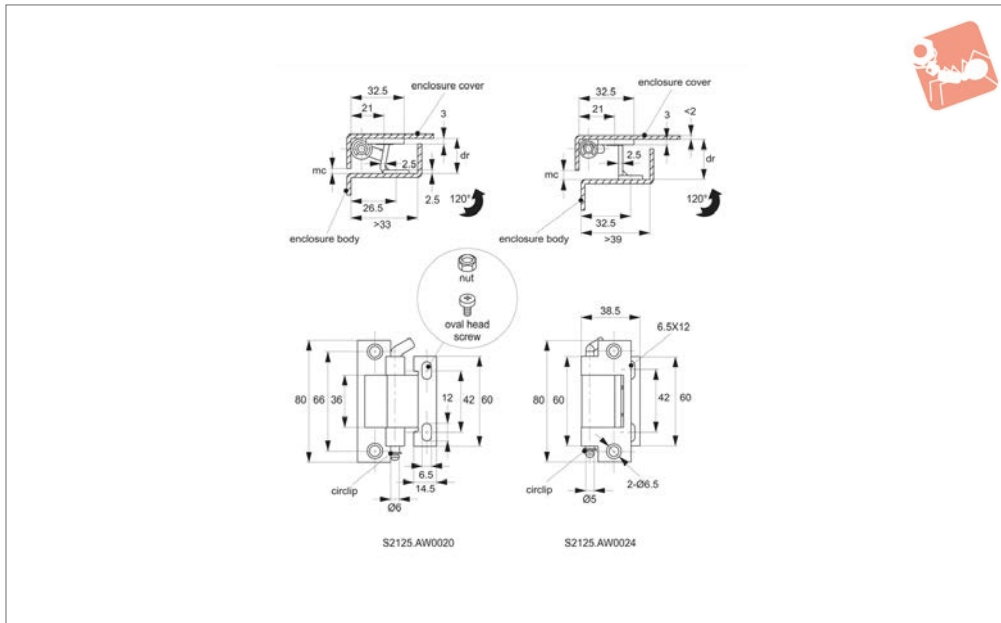


# Concealed Pivot Hinges - Lift Off

20 & 24mm door return - weld and oval head screw



Hinges



**S2125**

HINGES

### Material

Hinge & pin: steel, white zinc plated.

### Technical Notes

Suited to sheet metal and machine enclosures with 20-24mm door return. Main body mounted via two M6 screws, hinge plate

welded to frame.

Removable hinge pin enables easy installation, and is held in place via circlip. Max. opening angle 120°.

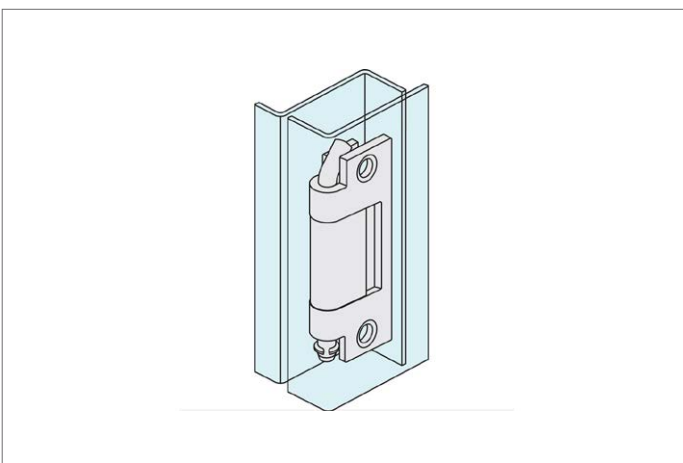
### Important Notes

dr= Maximum door return suitable for use

with hinge.

mc= Minimum clearance advised between enclosure cover and body to ensure smooth, full opening of enclosure cover.

Order No.	Door return	Size	F <sub>x</sub> N	F <sub>y</sub> N	mc min.	ts panel thickness
S2125.AW0020	20.0	60,0 x 33,0 x 20,0	310	480	3.0	2.0
S2125.AW0024	24.5	60,0 x 39,0 x 24,5	310	480	2.5	2.0

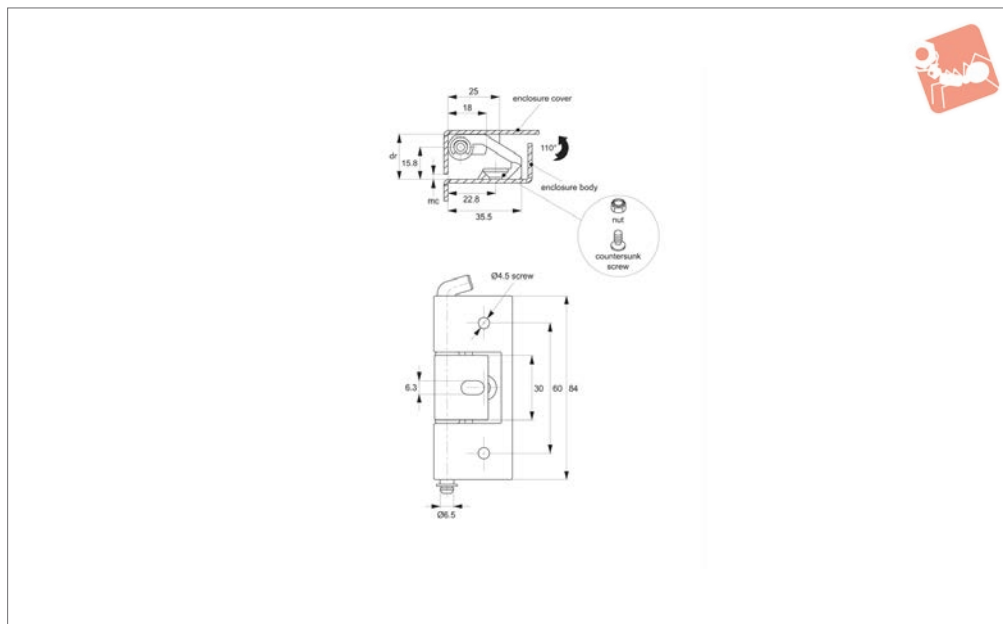




HINGES



### S2153



#### Material

Hinge: die cast zinc.

Pin: steel.

Gasket: polyamide.

#### Technical Notes

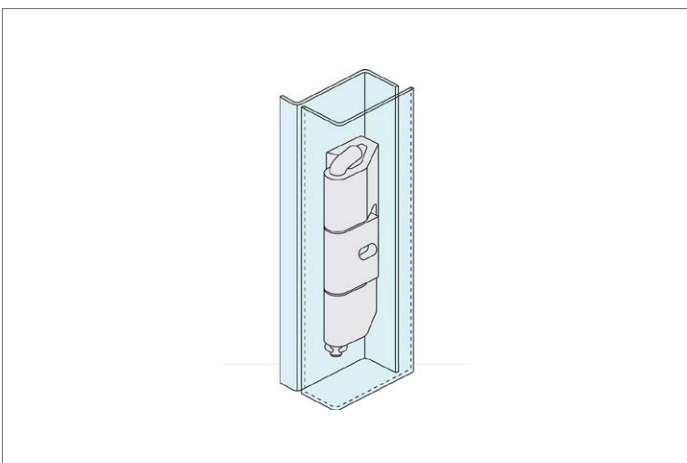
Suited to sheet metal and machine enclos-

ures with a 22mm door return. Main body mounted via two M4 screws, hinge plate welded to frame.

Removable hinge pin enables easy installation, and is held in place via circlip.

Max. opening angle 110°.

Order No.	Door return	Size	F <sub>x</sub> N	F <sub>y</sub> N	mc min.	ts panel thickness
S2153.AW0022	22	60 x 33,5 x 22	720	830	3	2

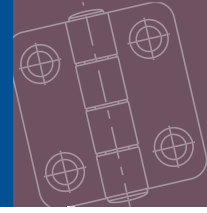




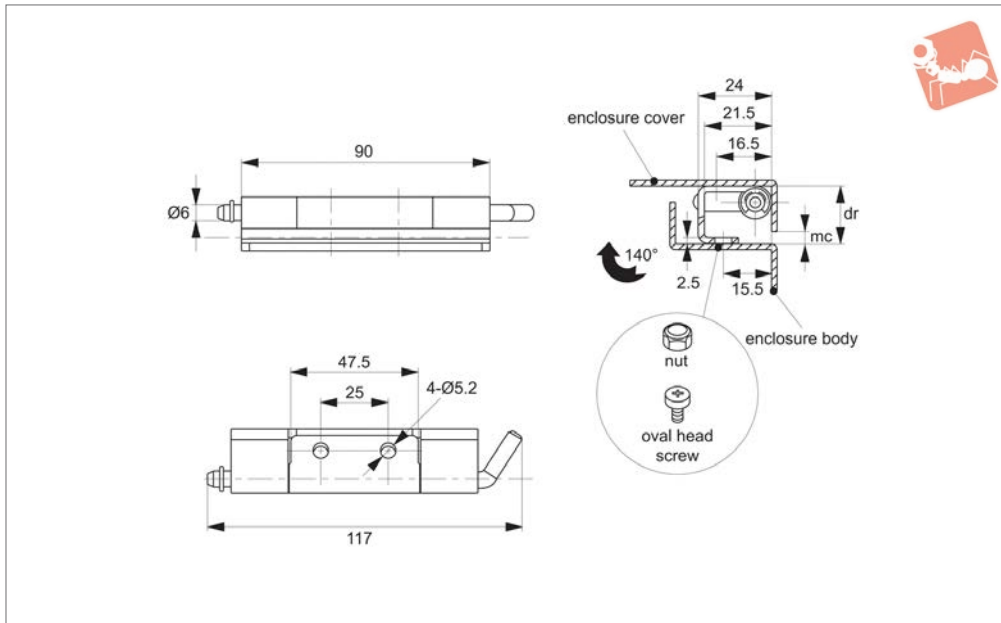


# Concealed Pivot Hinges - Lift Off

19mm door return - weld and oval head screw -



Hinges



**S2155**

HINGES

### Material

Hinge & pin: stainless steel.

### Technical Notes

Opening angle 140°.

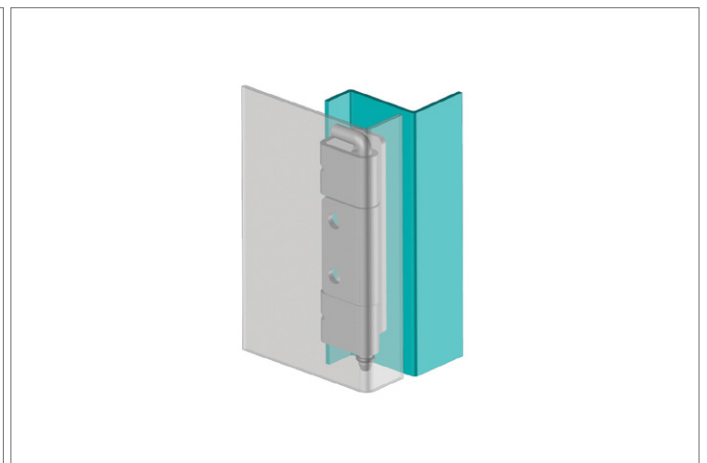
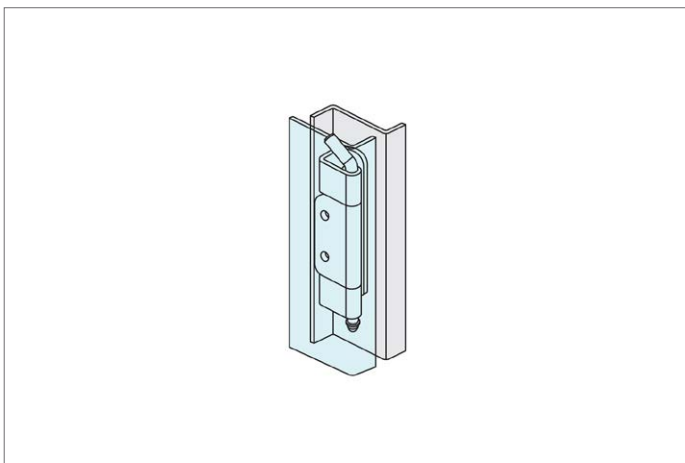
### Important Notes

Suited to sheet metal and machine enclosures with a 19mm door return. Main body mounted via two M5 screws, hinge plate

welded to frame.

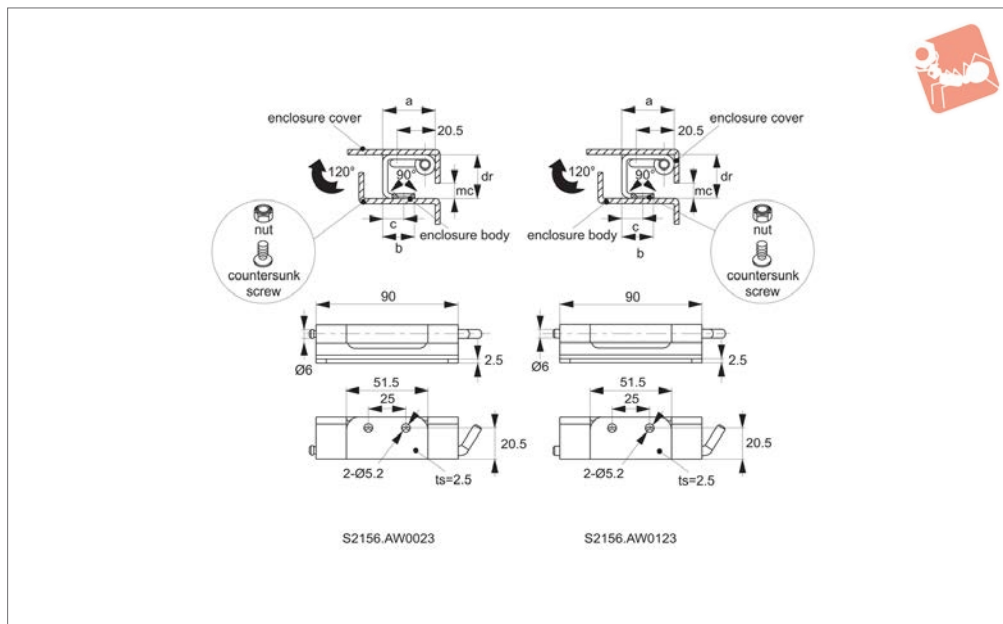
Removable hinge pin enables easy installation, and is held in place by split clip.

Order No.	Door return	Size	F <sub>x</sub> N	F <sub>y</sub> N	mc min.	ts panel thickness
S2155.AW0019	19	117 x 24 x 19	500	980	5	2.0





### S2156



#### Material

Hinge & shaft: stainless steel. AISI 304.

#### Technical Notes

Opening angle 120°. Suited to sheet metal and machine enclosures with a 23mm door return. Main body mounted via two M5

screws, hinge plate welded to frame (copper plated for improved welding). Removable hinge pin enables easy installation, and is held in place by clip.

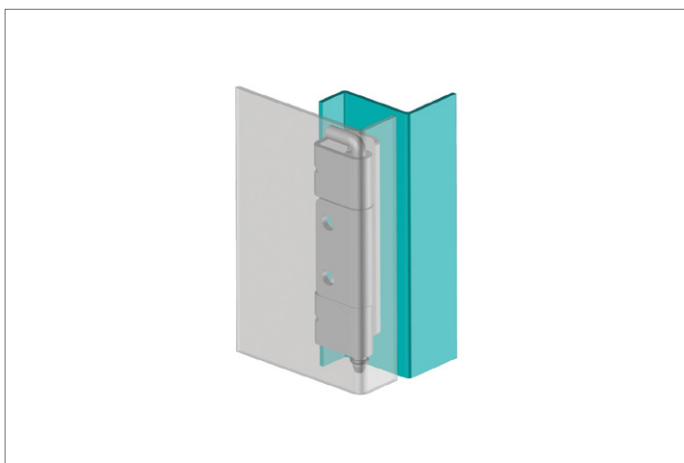
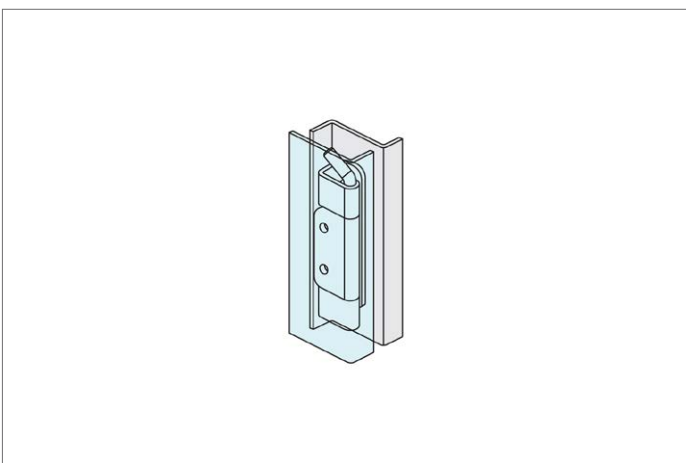
#### Important Notes

dr= Maximum door return suitable for use

with hinge.

mc= Minimum clearance advised between enclosure cover and body to ensure smooth, full opening of enclosure cover.

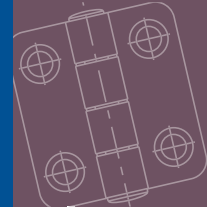
Order No.	Door return	Size	a	b	c	F <sub>x</sub> N	F <sub>y</sub> N	mc min.	ts panel thickness
S2156.AW0023	23	90 x 27,5 x 23	27.5	16.5	11.0	500	980	5	2.5
S2156.AW0123	23	90 x 33,5 x 23	33.5	22.0	14.5	500	980	5	2.5



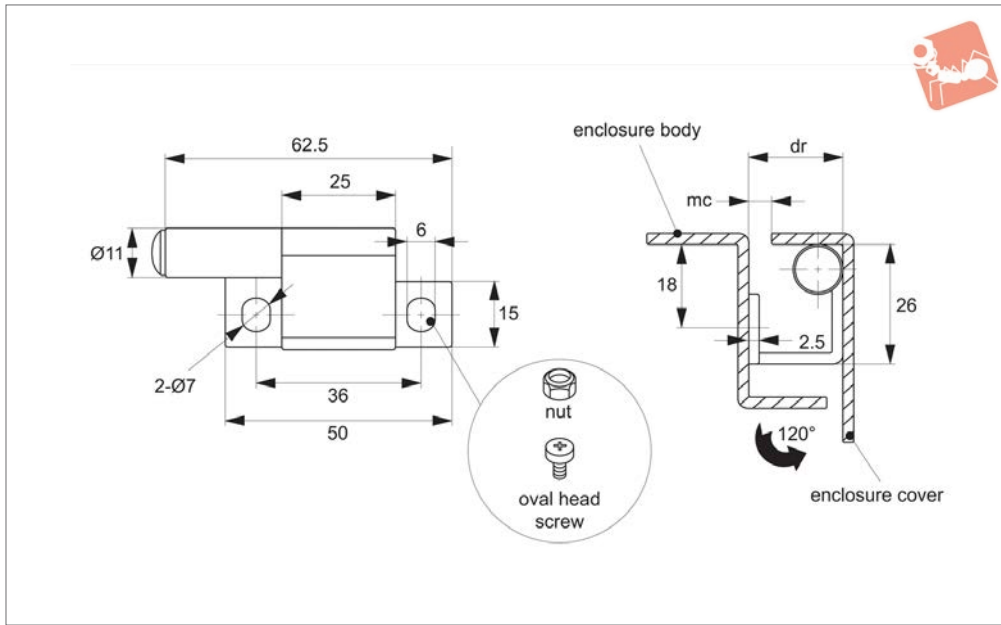


# Concealed Pivot Hinges - Lift Off

21mm door return - weld and oval head screw - steel



Hinges



**S2170**

HINGES

**Material**

Hinge: steel, white zinc plated.

**Technical Notes**

Suited to sheet metal and machine enclosures with a 21mm door return. Main body

mounted via two M7 screws, hinge plate welded to frame.

Opening angle: 120°.

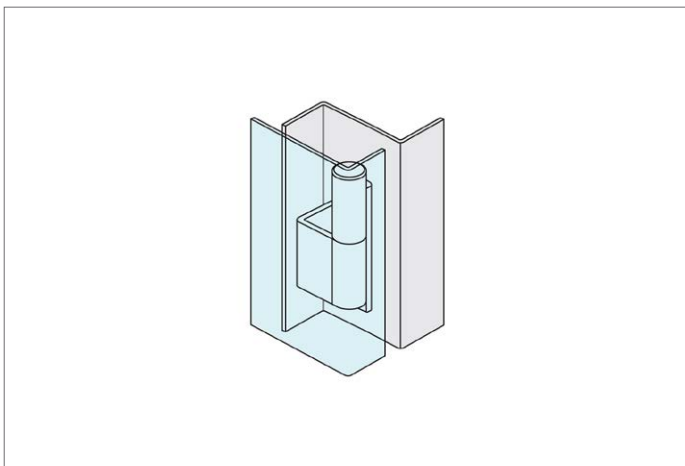
**Important Notes**

dr= Maximum door return suitable for use

with hinge.

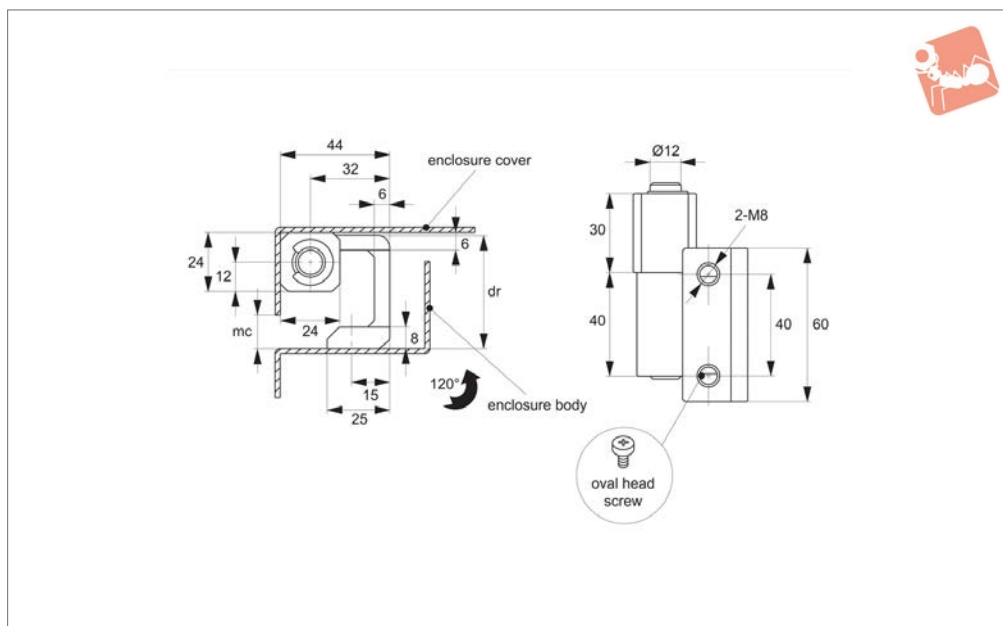
mc= Minimum clearance advised between enclosure cover and body to ensure smooth, full opening of enclosure cover.

Order No.	Door return	Size	F <sub>x</sub> N	F <sub>y</sub> N	mc min.	ts panel thickness
S2170.AW0021	21	50 x 26 x 21	200	160	4	2.5





### S2172



#### Material

Hinge: stainless steel, white zinc plated.

#### Technical Notes

Suited to sheet metal and machine enclosures with a 45mm door return. Main body

mounted via two M8 screws, hinge plate welded to frame.

Opening angle: 120°.

#### Important Notes

dr= Maximum door return suitable for use

with hinge.

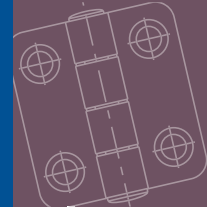
mc= Minimum clearance advised between enclosure cover and body to ensure smooth, full opening of enclosure cover.

Order No.	Door return	Size	F <sub>x</sub> N	F <sub>y</sub> N	mc min.	ts panel thickness
S2172.AW0046	45	60 x 44 x 45,5	2000	1500	10	2.5

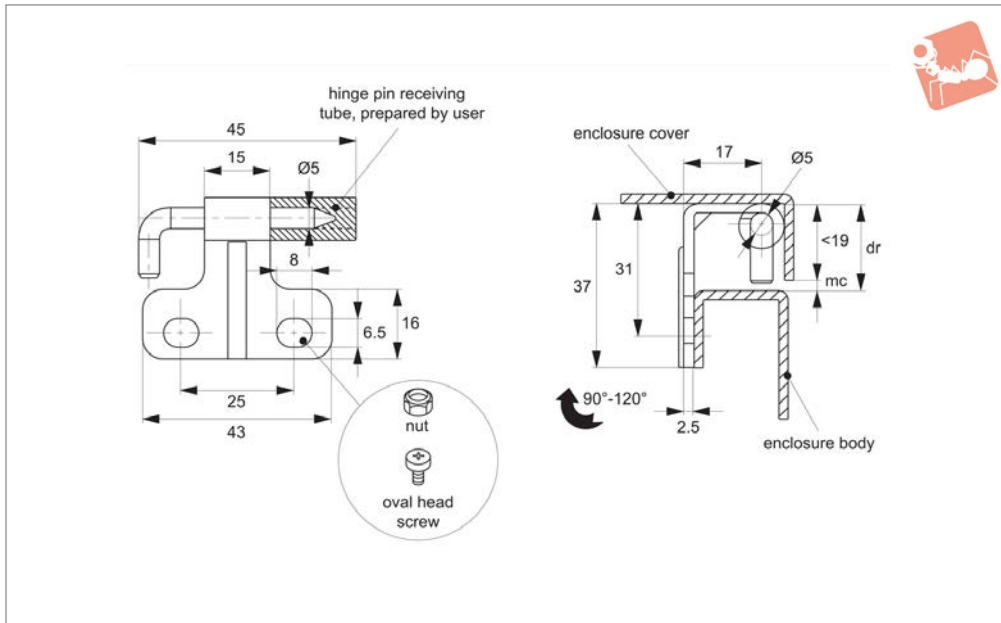


# Concealed Pivot Hinges - Lift Off

21mm door return - weld and oval head screw - steel



Hinges



**S2176**

HINGES

### Material

Hinge: steel, black powder coated.  
Pin: steel, white zinc plated.

### Technical Notes

Suited to sheet metal and machine enclosures with a 21mm door return. Main body mounted via two M6 screws, hinge plate

welded to frame (copper plated for improved welding).  
Opening angle: 120°.

### Important Notes

Female hinge installation requires user to prepare a welded tube to receive pin: min. dia. 5mm.

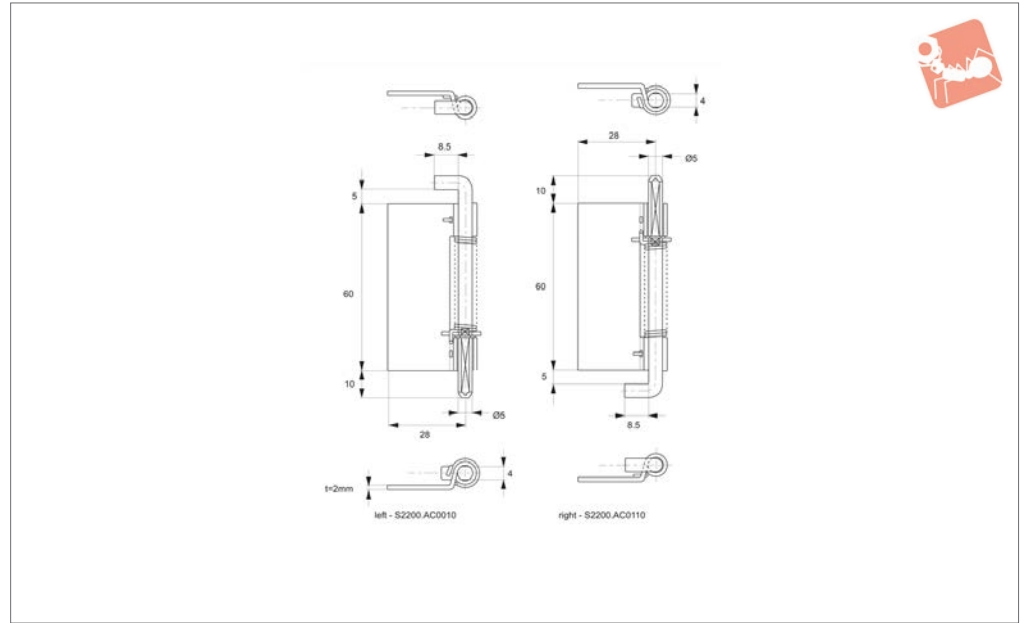
dr= Maximum door return suitable for use with hinge.

mc= Minimum clearance advised between enclosure cover and body to ensure smooth, full opening of enclosure cover.

Order No.	Door return	Size	F <sub>x</sub> N	F <sub>y</sub> N	mc min.	ts panel thickness
S2176.AW0021	21	43 x 19,5 x 21	360	105	2	2



**S2200**



**Material**

Stainless steel, AISI 304.

**Technical Notes**

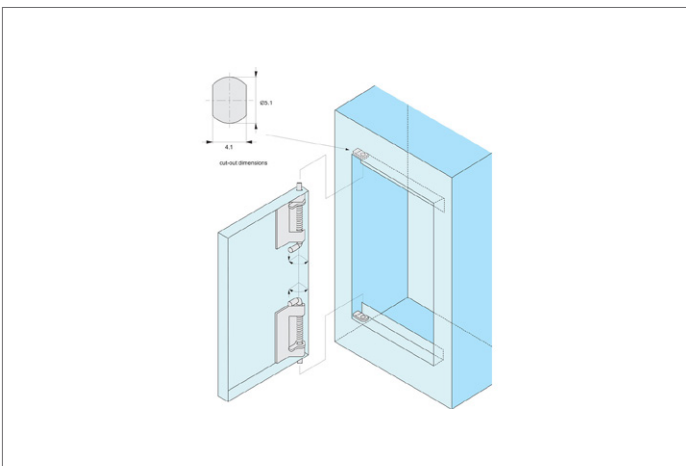
Spring loaded for self-closing.

Lift pin for easy installation and removal.

Torsion moment (hinge closed): 0.76kgf/cm per piece.

Max. opening angle 100°.

Order No.	Type	Weight
S2200.AC0010	Left	g 38
S2200.AC0110	Right	38



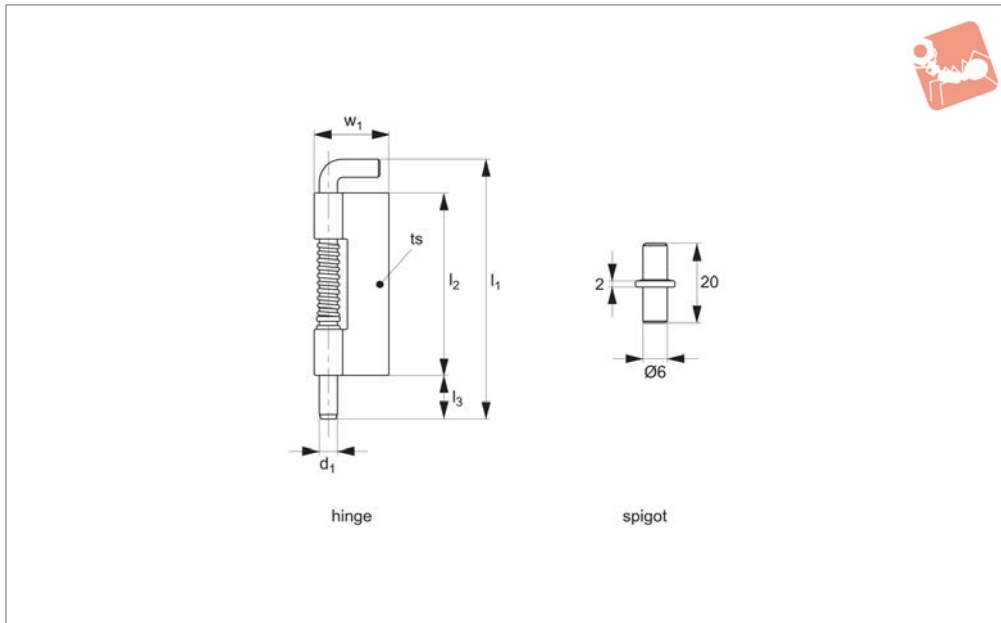


# End Mount Concealed Pivot Hinge

spring loaded - weld-on - steel



## Hinges



**S2202**

HINGES

### Material

Body: steel, white zinc plated.

### Technical Notes

For sheet metal doors, cabinets and machinery covers. Spring body can be either welded, or screw mounted.

Pull back pin lever, hinge pin is retracted.  
Release pin lever and hinge pin springs

back.

Max. opening angle 110°.

### Tips

Spring loaded feature of hinge enables easy assembly and disassembly of panel/door, ideal for maintenance covers.

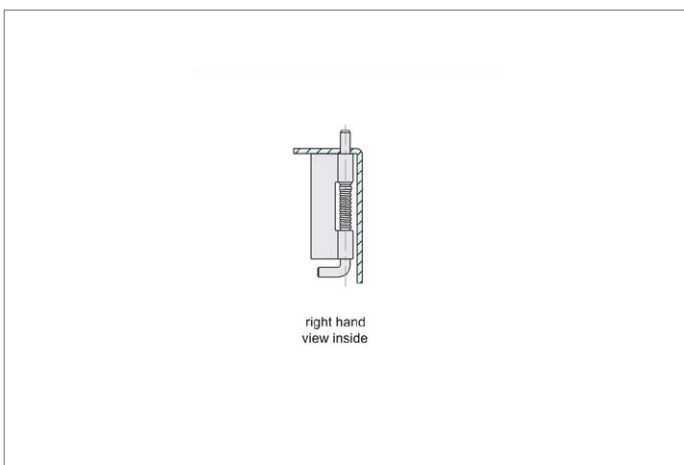
Typical assembly utilises spring loaded hinge at top of door and corresponding

hinge spigot at foot of door.

### Important Notes

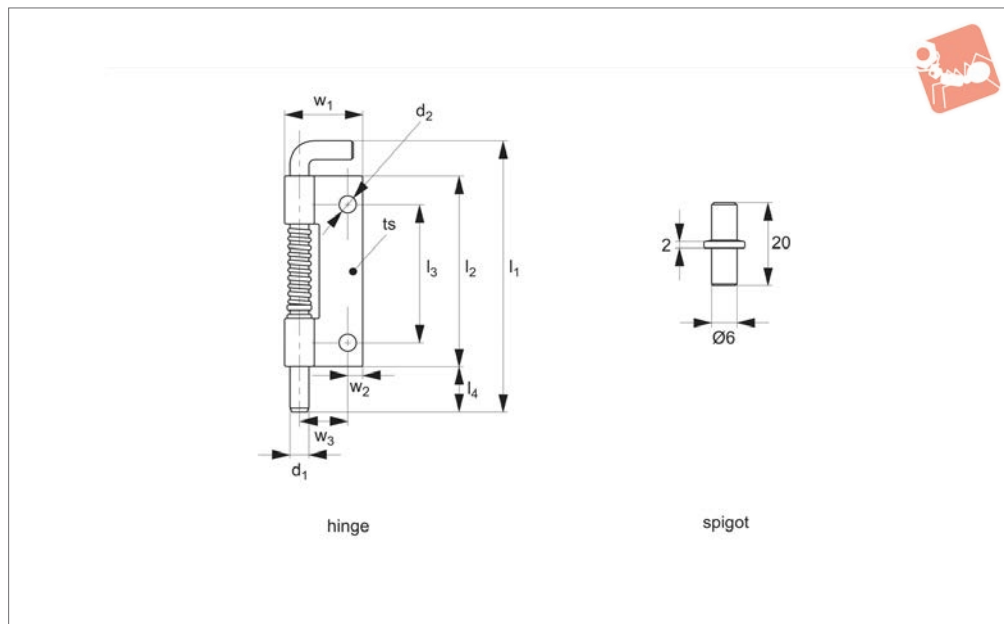
Accessory (optional) this accessory is used as an alternative to the hinge with pin, usually fitted at the bottom of the door as load-bearing fixing door.

Order No.	Type	$l_1$	$w_1$	$d_1$	$F_x$ N	$F_y$ N	$l_2$	$l_3$	ts
S2202.AW0063	Left	89	26.4	6	150	200	62.5	15	2
S2202.AW0163	Right	89	26.4	6	150	200	62.5	15	2





**S2205**



**Material**

Body: steel, zinc plated.

**Technical Notes**

For sheet metal doors, cabinets and machinery covers. Spring body can be either welded, or screw mounted.

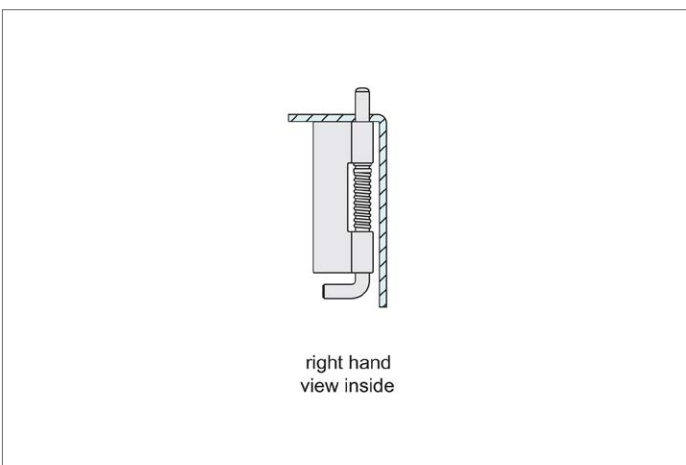
Pull back pin lever, hinge pin is retracted.  
Release pin lever and hinge pin springs back.  
Max. opening angle 110°.

**Tips**

Spring loaded feature of hinge enables

easy assembly and disassembly of panel/door, ideal for maintenance covers.  
Typical assembly utilises spring loaded hinge at top of door and corresponding hinge spigot at foot of door.

Order No.	Hand	$l_1$	$w_1$	$d_1$	$d_2$	$F_x$ N	$F_y$ N	$l_2$	$l_3$	$l_4$	$w_2$	$w_3$	ts
S2205.AW0032	Left	52	16.5	4	3.2	150	200	32.0	19	10	5	8.5	2
S2205.AW0132	Right	52	16.5	4	3.2	100	130	32.0	19	10	5	8.5	2
S2205.AW0063	Left	89	26.5	6	5.5	150	200	62.5	45	15	6	15.2	2
S2205.AW0163	Right	89	26.5	6	5.5	150	200	62.5	45	15	6	15.2	2





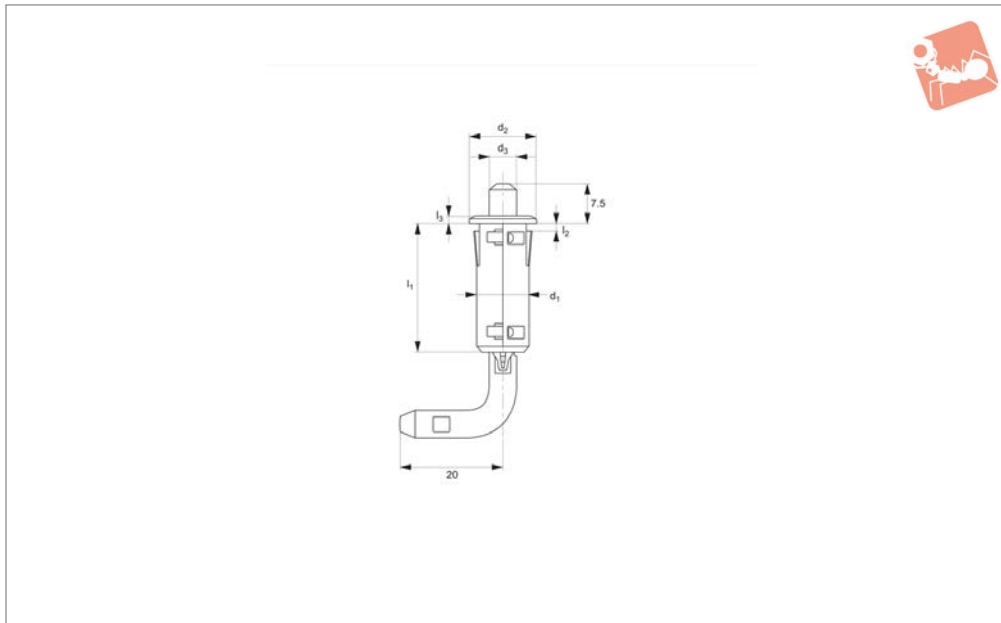


# End Mount Concealed Pivot Hinge

spring loaded - snap fit - polyamide



## Hinges



**S2212**

HINGES

### Material

Body: polyamide, black PA 6 GRF30.  
 Pin: stainless steel.  
 Latch: die cast zinc, white zinc plated.

very covers. Clip fix for easy assembly.  
 Pull back pin lever, hinge pin is retracted.  
 Release pin lever and hinge pin springs  
 back. Opening angle 180°.

easy assembly and disassembly of panel/  
 door, ideal for maintenance covers.  
 Max. opening angle 110°.

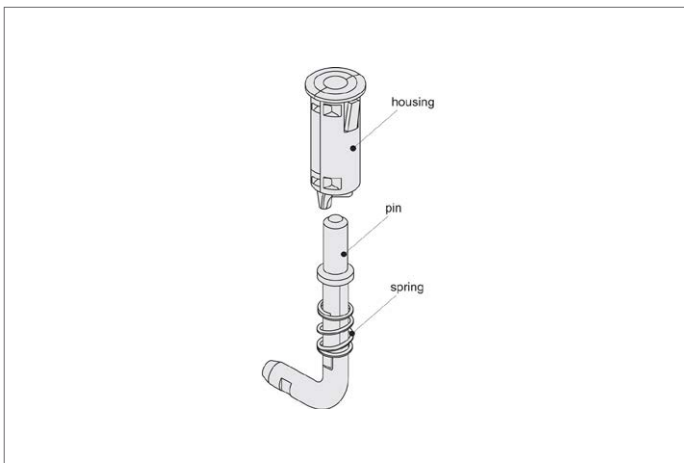
### Technical Notes

For sheet metal doors, cabinets and machi-

### Tips

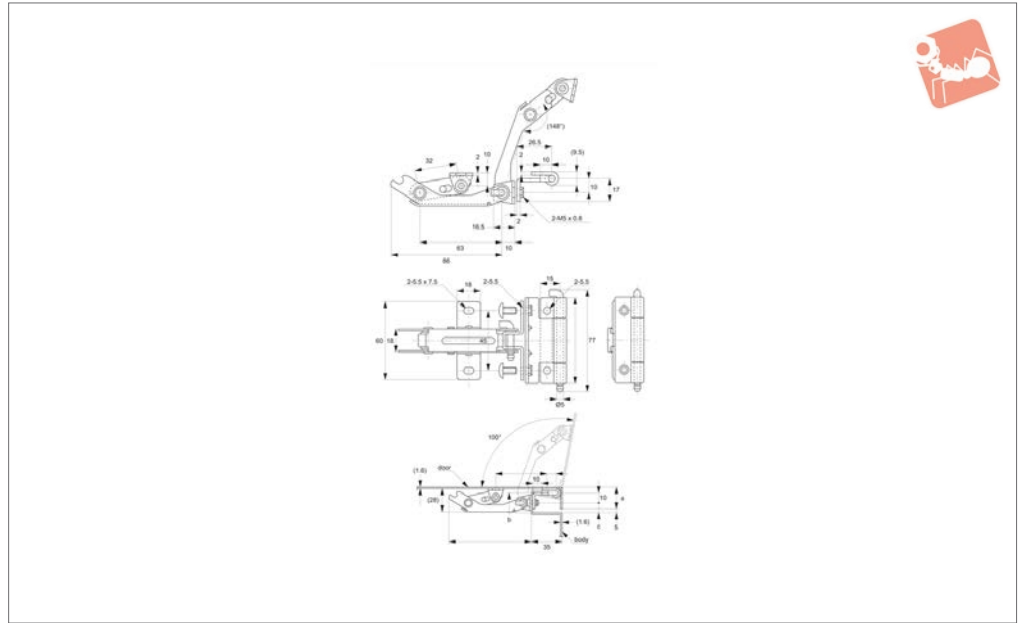
Spring loaded feature of hinge enables

Order No.	$l_1$	$d_1$	$d_2$	$d_3$	$l_2$	$l_3$
S2212.AW0005	24.5	10	13	5	7.5	1.5





**S2250**



**Material**

Stainless steel, AISI 304.

**Technical Notes**

Combined hinge and stay easily installed/ removed via installation pin. Ideal for

removal of machine/equipment covers for maintenance.

**Tips**

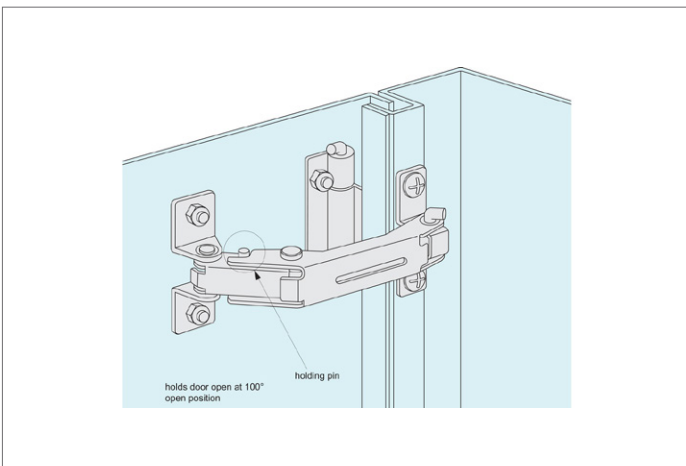
Particularly suited to gaming industry. Nature of hinges movement enables

machine cover and body to be fully sealed to prohibit tampering or interference.

**Important Notes**

Suitable for doors up to 10Kg (as pair). Holding force: 30kgf/cm each.

Order No.	Type	Weight g
S2250.AC0010	Stainless Steel	190



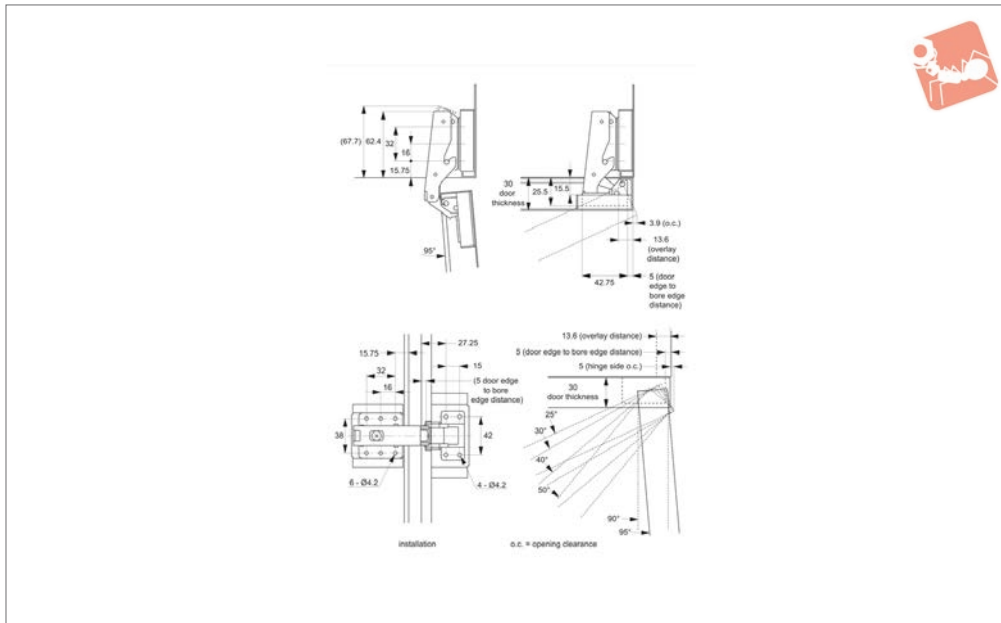


# Recessed Fitting - Snap-On Easy

screw mount - steel



## Hinges



### S2260

HINGES

#### Material

Steel, nickel plated.

#### Technical Notes

Snap-on feature allows easy installation and removal of door panel, especially suitable for maintenance. Max. opening

angle 95°.

#### Tips

Hinge enables opening of doors without interference with side panels and hence ideal where two doors are mounted close together.

#### Important Notes

When correctly installed hinges require only a 3.9mm opening clearance between units.

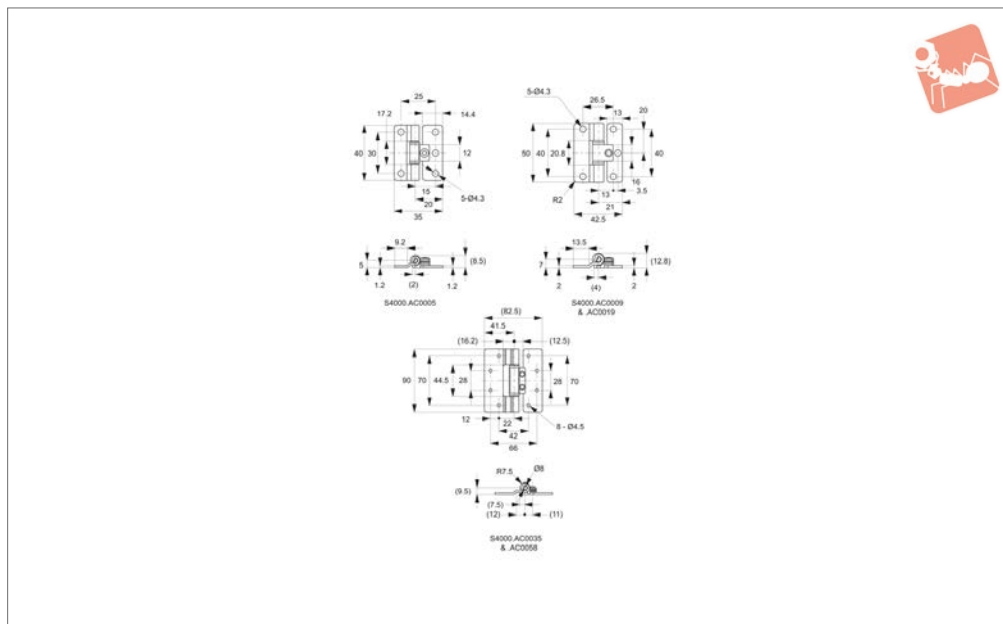
Order No.	Type	Weight g
S2260.AC0010	Hinge	138
S2260.AC0050	Mounting Plate	81



HINGES



**S4000**



**Material**

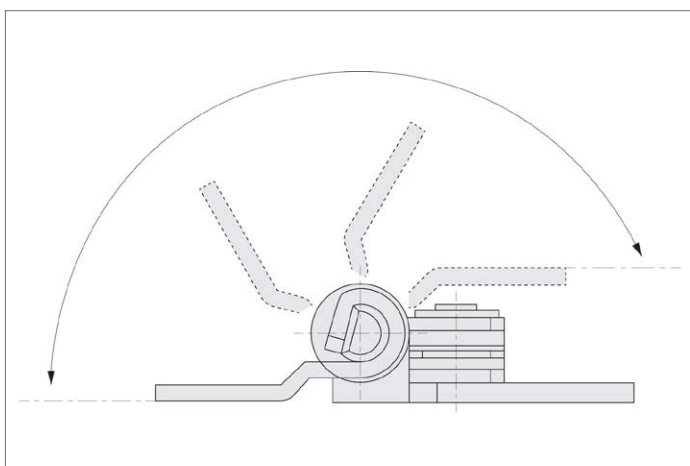
Body: stainless steel, AISI 304, polished.  
Shaft: Stainless steel, AISI 303, polished.

**Technical Notes**

Friction torque hinge designed for holding lid/door in position. Stainless steel

construction for corrosive environments.  
Operating temperature: -20°C to +60°C.

Order No.	Torque kgf/cm	Weight g
S4000.AC0005	±1	21
S4000.AC0009	5	51
S4000.AC0019	9	51
S4000.AC0035	19	195
S4000.AC0058	35	195



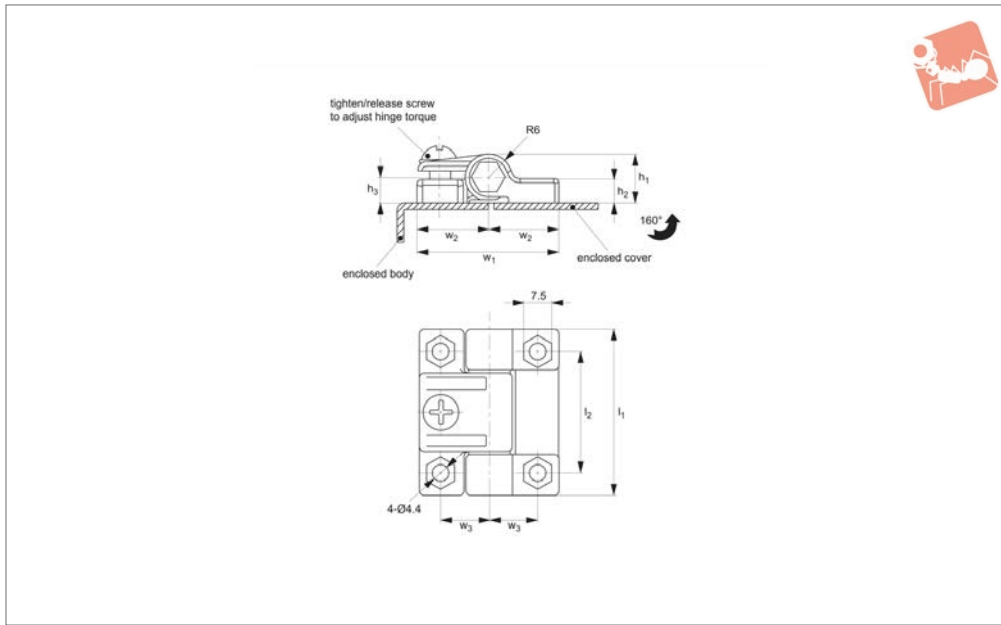


# Adjustable Torque - Friction Hinge

polyamide - screw mount - plastic



## Hinges



**S4002**

HINGES

### Material

Body: polyamide, black finish.  
Shaft: PC.

**Supplied with:** Fixing nuts and bolts.

### Technical Notes

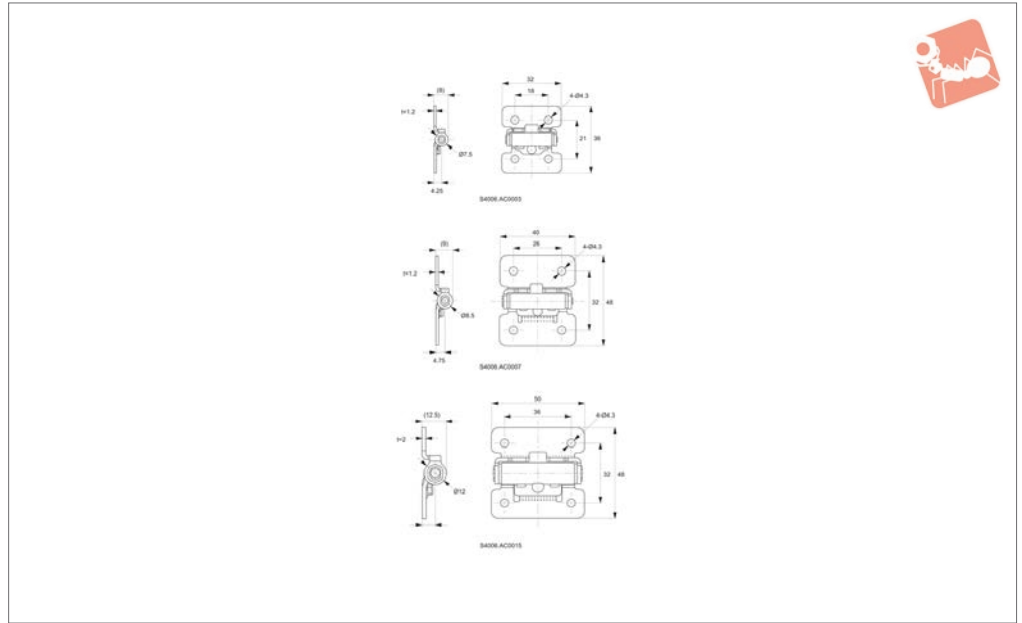
Opening angle 160°. Hinge torque adjusted by screw. Provides position control. Suitable for left hand and right

hand application.

Order No.	Torque kgf/cm max.   ±1	h <sub>1</sub>	h <sub>2</sub>	h <sub>3</sub>	l <sub>1</sub>	l <sub>2</sub>	w <sub>1</sub>	w <sub>2</sub>	w <sub>3</sub>
<b>S4002.AW0043</b>	8	12.5	6	6.5	43	13.5	36	18	12.5



**S4006**



**Material**

Body: stainless steel, AISI 304. Fixing tube: polyacetal.

**Technical Notes**

Friction torque hinge holds lids/covers over free stop angle between 0 - 180°.

Order No.	Torque/pair kgf/cm +40%   -20%	Free stop angle
S4006.AC0003	3.5	0 - 180°
S4006.AC0007	7.0	0 - 180°
S4006.AC0015	15.0	0 - 180°

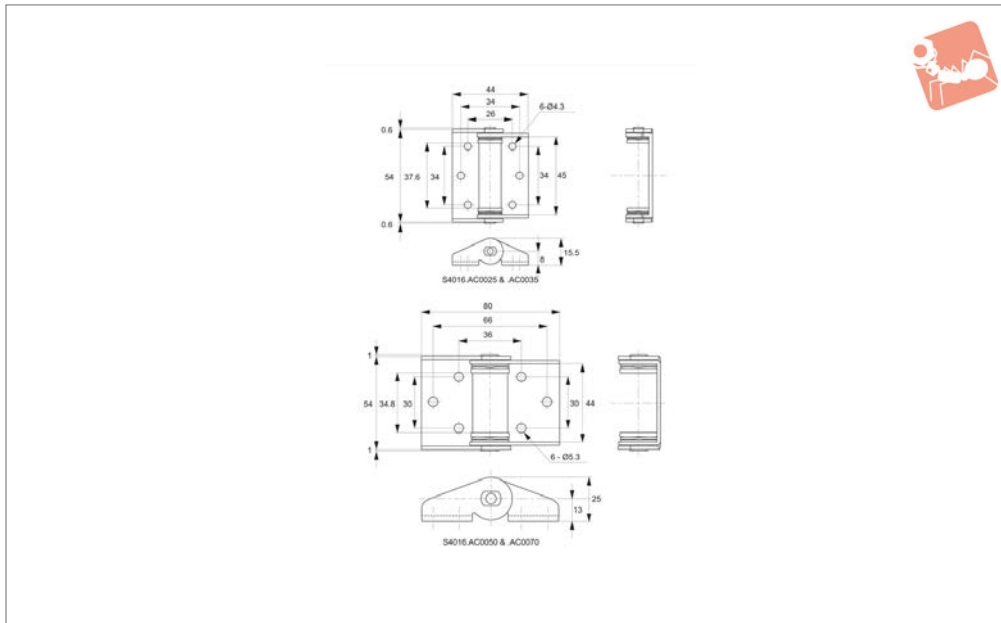


# Constant Torque - Friction Hinges

screw mount - stainless



Hinges



**S4016**

HINGES

**Material**

Body: stainless steel, AISI 304, polished.  
 Shaft: stainless steel, AISI 303.  
 Washer: phosphor bronze.  
 Spring washer: steel.

monitors, displays etc in position.

**Important Notes**

Applicable torque range 180°. Tested to 20,000 cycles, based on movement within a 45° range of movement. Temperature range -10 to +50°C.

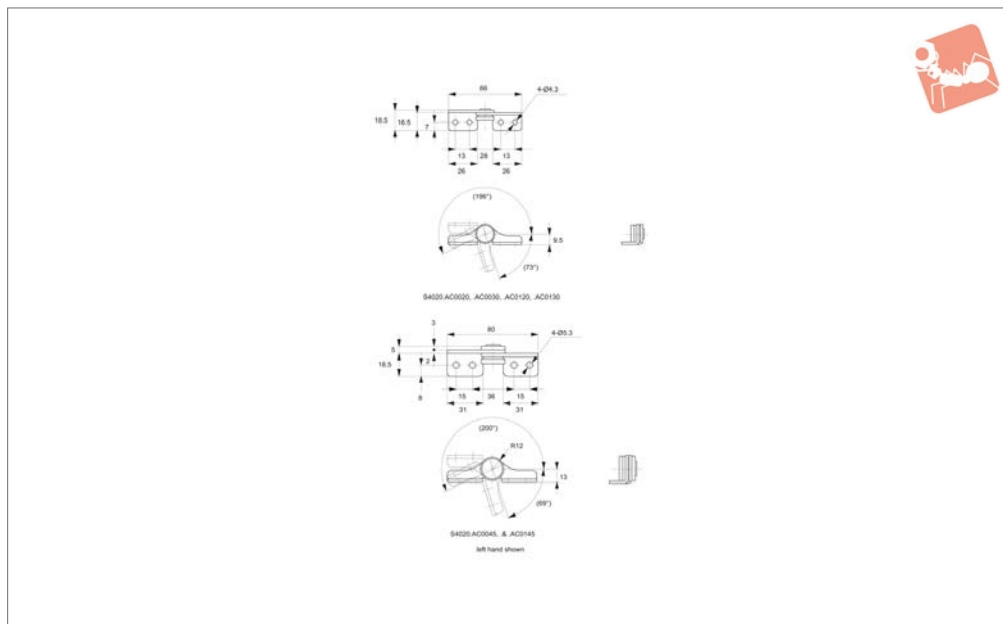
**Technical Notes**

Friction torque hinge designed for holding

Order No.	Torque kgf/cm ±20%	Weight g
S4016.AC0025	25	50
S4016.AC0035	35	50
S4016.AC0050	50	130
S4016.AC0070	70	130



### S4020



#### Material

Body: stainless steel, AISI 430.

monitors, monitoring cameras, screens and displays. Consistent torque throughout free stop angle.

#### Technical Notes

Friction torque hinge ideal for mounting of

Order No.	Torque kgf/cm ±20%	Hand	Friction free stop angle	Weight g
S4020.AC0020	20.4	right	0-140°	30
S4020.AC0120	20.4	left	0-140°	30
S4020.AC0030	30.6	right	0-140°	30
S4020.AC0130	30.6	left	0-140°	30
S4020.AC0045	45.9	right	0-140°	65
S4020.AC0145	45.9	left	0-140°	65



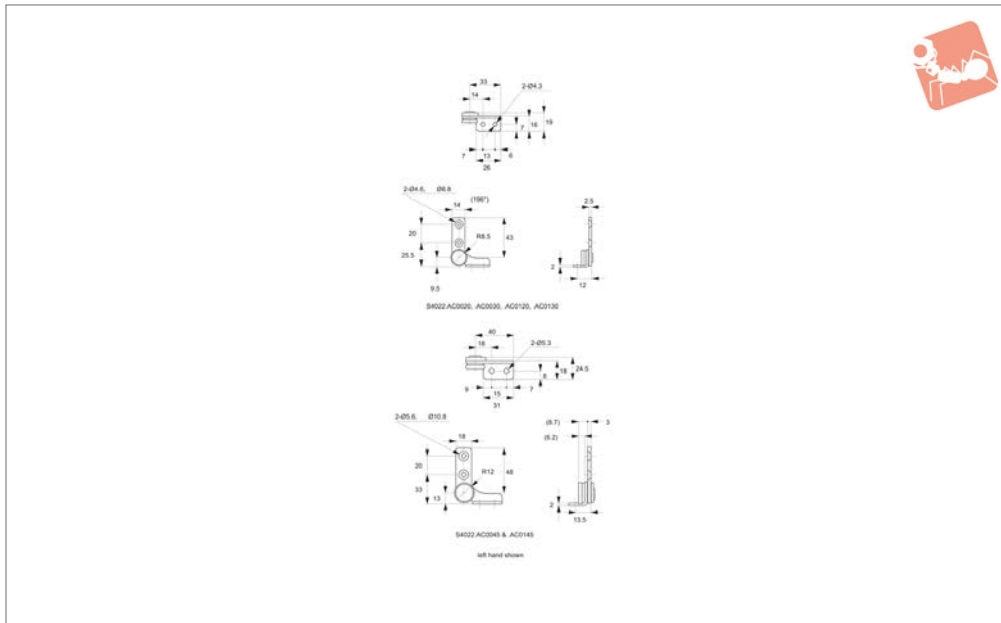


# Constant Torque - Friction Torque

screw mount - stainless steel



## Hinges



### S4022

HINGES

#### Material

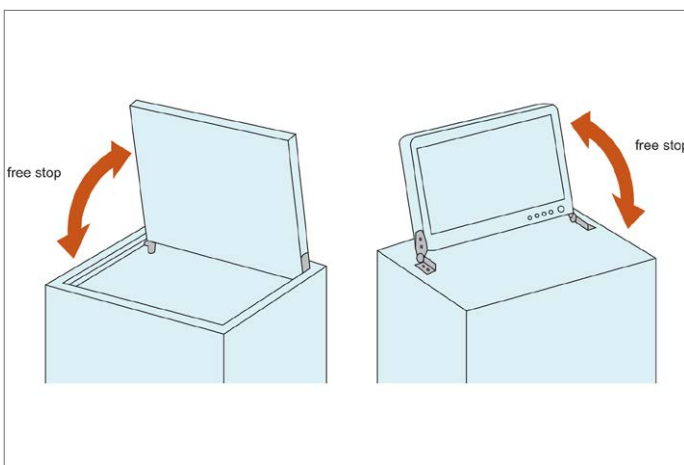
Body: stainless steel, AISI 430.

monitors, monitoring cameras, screens and displays. Consistent torque throughout free stop angle.

#### Technical Notes

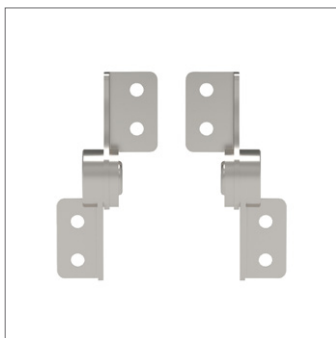
Friction torque hinge ideal for mounting of

Order No.	Torque kgf/cm ±20%	Hand	Opening angle	Weight g
S4022.AC0010	7.1	right	360°	31
S4022.AC0020	20.4	right	360°	30
S4022.AC0030	30.6	right	360°	30
S4022.AC0045	45.9	right	360°	65
S4022.AC0110	7.1	left	360°	31
S4022.AC0120	20.4	left	360°	30
S4022.AC0130	30.6	left	360°	30
S4022.AC0145	45.9	left	360°	65

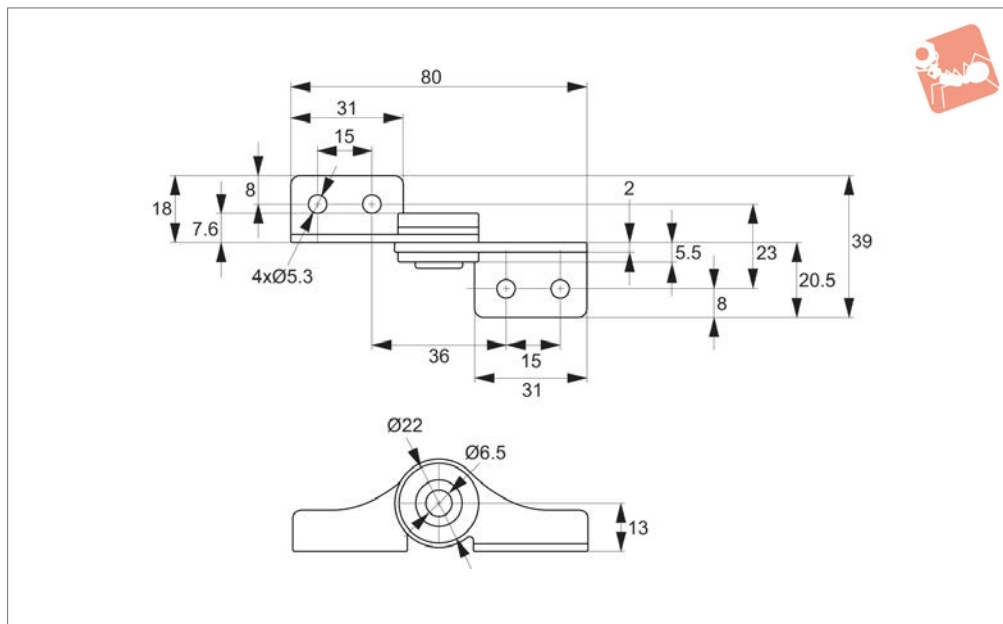




HINGES



## S4024



### Material

Bracket and Base- 430 Stainless, Plate-steel, Shaft and washer- 303 and 430 stainless steel.

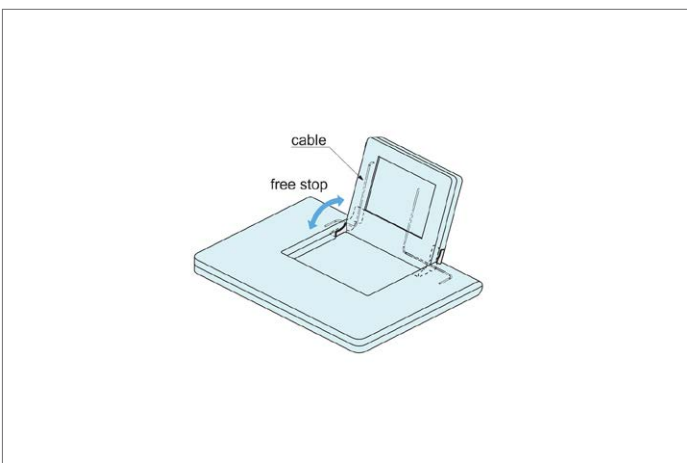
### Technical Notes

Hole in shaft allows easy cable manage-

ment. Ideal for the holder of LCD and monitoring camera. Successful Passed for the 50,000 open/close private cycle test. Operating temperature: 0°C- 40°C. For pair using: Use the same torque moment in both hinges.

Torque moment per piece is 4.5 Nm ±20%.

Order No.	Type	Weight g
S4024.AC0010	Right/Wiring Hole	60
S4024.AC0020	Left/Wiring Hole	60



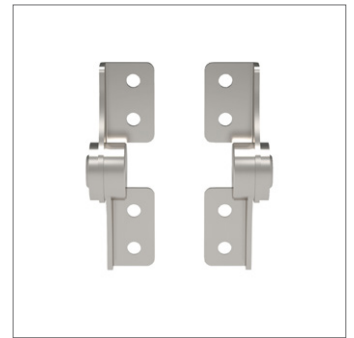
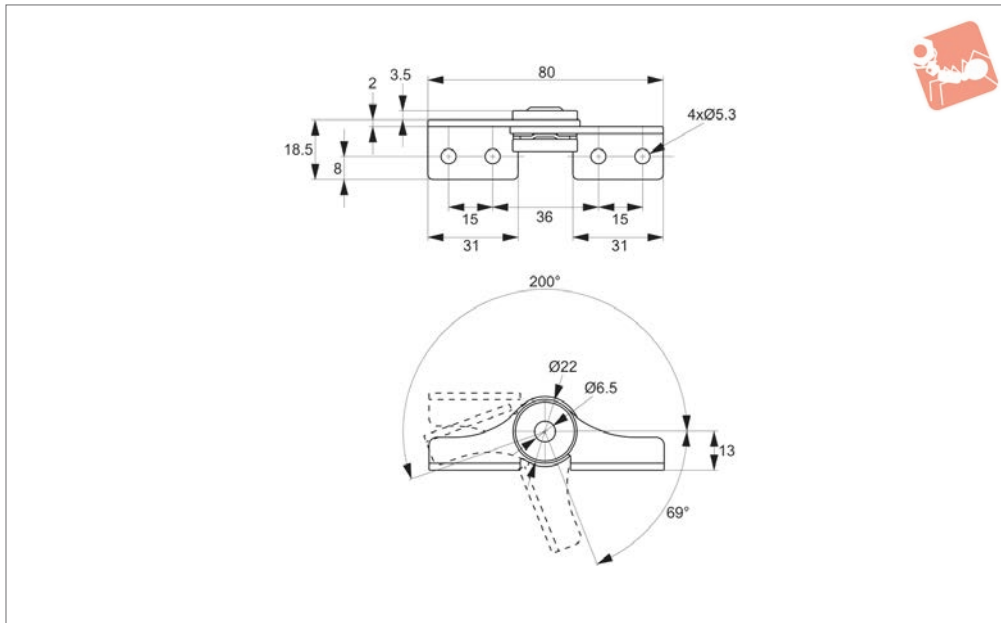


# Constant Torque - Friction Torque

## Friction Torque Hinges



# Hinges



## S4026

HINGES

### Material

Bracket and Base- 430 Stainless, Plate-steel, Shaft and washer- 303 and 430 stainless steel.

### Technical Notes

Hole in shaft allows easy cable manage-

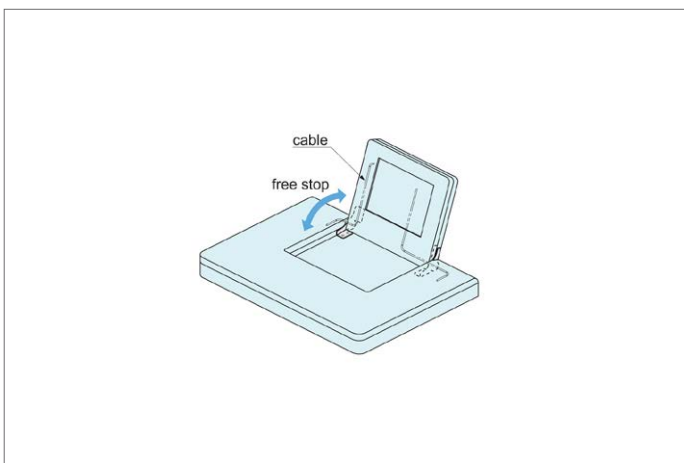
ment. Ideal for the holder of LCD and monitoring camera. Successfull Passed for the 50,000 open/close private cycle test. Torque moment per piece is 4.5 Nm  $\pm$ 20%.

### Tips

Operating temperature: 0°C- 40°C.

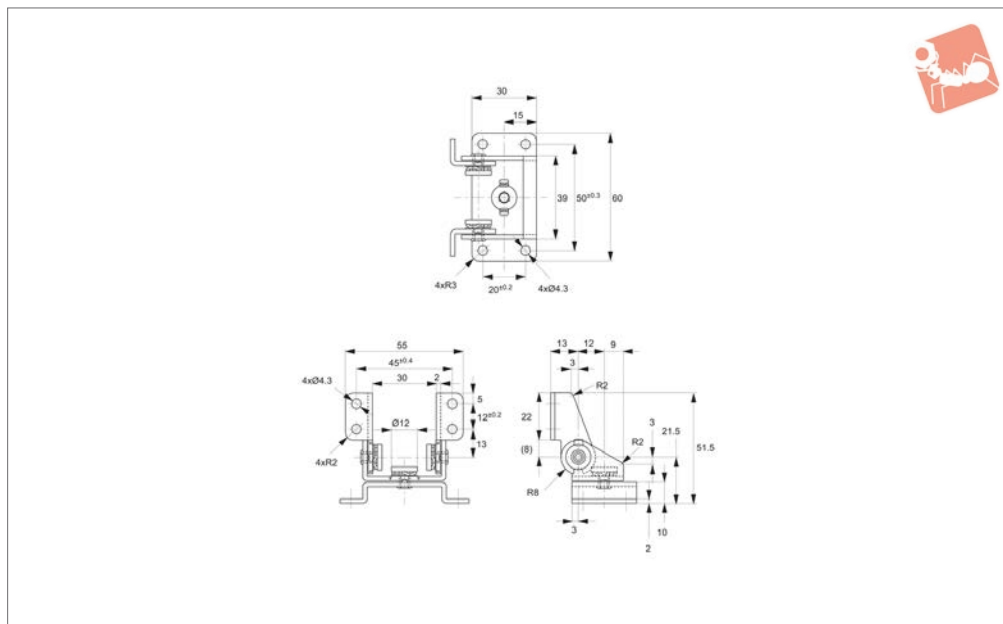
For pair using: Use the same torque moment in both hinges.

Order No.	Type	Weight g
S4026.AC0010	Right/Wiring Hole	60
S4026.AC0020	Left/Wiring Hole	60





**S4030**



**Material**

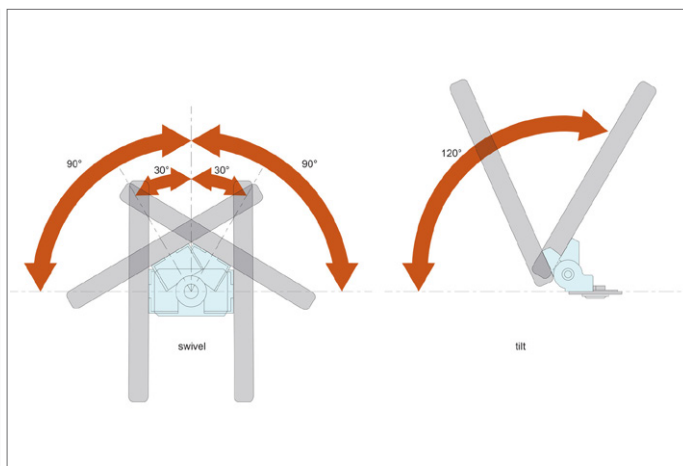
Body and base: stainless steel, AISI 430.

**Technical Notes**

Dual axis torque hinge with stability in

both axis. Ideal for mounting of monitor screens. Angle of swivel axis can be limited via use of pin/screw (not supplied).

Order No.	Swivel angle	Swivelling torque kgf/cm ±20%	Tilting angle	Tilting torque kgf/cm ±20%
S4030.AC0030	30°/90°	15	120°	30



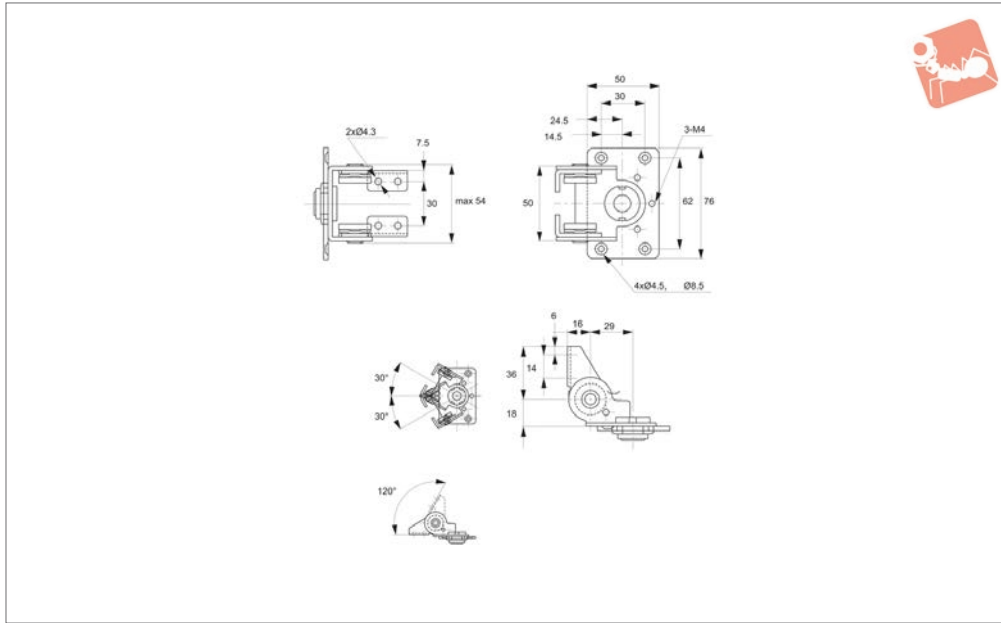


# Constant Torque Hinge

dual axis fringe - screw mount - stainless



## Hinges



**S4032**

HINGES

**Material**

Body and base: stainless steel, AISI 430.

both axis. Ideal for mounting of monitor screens. Angle of swivel axis can be limited via use of pin/screw (not supplied).

**Technical Notes**

Dual axis torque hinge with stability in

Order No.	Swivel angle	Swivelling torque kgf/cm ±20%	Tilting angle	Tilting torque kgf/cm ±15%
S4032.AC0030	30°/90°	30.5	120°	71.5

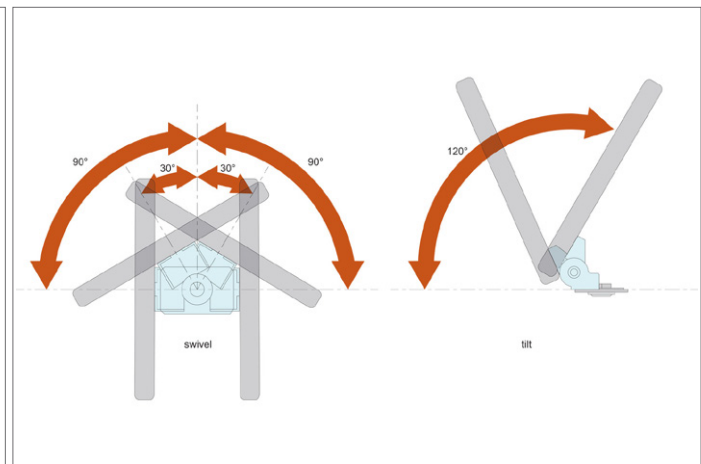
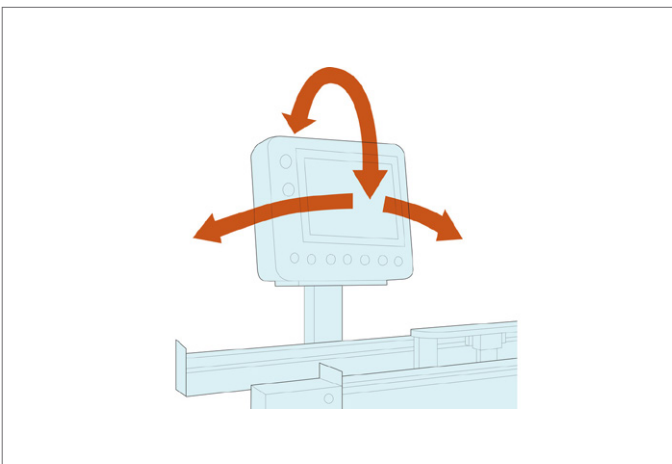

























Table of constant torque ranges					Torque Nm													
Part no.	Torque type	Shaft Rotation	Torque Nm		0,5	1,0	1,5	2,0	2,5	3,0	3,5	4,0	4,5	5,0	5,5	6,0	6,5	7,0
 <b>S3810</b>	Symmetric	360°	0,05 to 3,80		[Bar chart showing torque range from 0.05 to 3.80 Nm]													
 <b>S3820</b>	Symmetric/Asymmetric	360°	0,2 to 1,1		[Bar chart showing torque range from 0.2 to 1.1 Nm]													
 <b>S3824</b>	Symmetric/Asymmetric	360°	0,2 to 1,1		[Bar chart showing torque range from 0.2 to 1.1 Nm]													
 <b>S3830</b>	Symmetric/Asymmetric	270°	0,9 to 3,4		[Bar chart showing torque range from 0.9 to 3.4 Nm]													
 <b>S3834</b>	Symmetric/Asymmetric	270°	0,9 to 3,4		[Bar chart showing torque range from 0.9 to 3.4 Nm]													
 <b>S3840</b>	Symmetric/Asymmetric	270°	0,9 to 3,4		[Bar chart showing torque range from 0.9 to 3.4 Nm]													
 <b>S3844</b>	Symmetric/Asymmetric	270°	0,9 to 4,5		[Bar chart showing torque range from 0.9 to 4.5 Nm]													
 <b>S3850</b>	Symmetric/Asymmetric	270°	0,9 to 3,4		[Bar chart showing torque range from 0.9 to 3.4 Nm]													
 <b>S3852</b>	Symmetric/Asymmetric	270°	0,9 to 3,4		[Bar chart showing torque range from 0.9 to 3.4 Nm]													
 <b>S3854</b>	Symmetric/Asymmetric	270°	0,9 to 4,5		[Bar chart showing torque range from 0.9 to 4.5 Nm]													
 <b>S3860</b>	Symmetric	270°	3,5 to 7,0		[Bar chart showing torque range from 3.5 to 7.0 Nm]													
 <b>S3870</b>	Symmetric	90° and 360°	2,5 to 5,0		[Bar chart showing torque range from 2.5 to 5.0 Nm]													

## Constant Torque Hinges S4000-S4032

**Operating Principle**  
Wixroyd Constant Torque Hinges rely only on mechanical friction to achieve a stable torque. A range of different friction hinges are available to best suit your application.

Table of constant torque ranges				Torque Kgf.cm															
Part no.	Torque Kgf.cm			10	20	30	40	50	60	70	80	90	100	110	120	130	140	150	
 <b>S4000</b>	5 - 57.5			[Bar chart showing torque range from 5 to 57.5 Kgf.cm]															
 <b>S4002</b>	8			[Bar chart showing torque range from 8 to 8 Kgf.cm]															
 <b>S4006</b>	3.5 - 15.3			[Bar chart showing torque range from 3.5 to 15.3 Kgf.cm]															
 <b>S4010</b>	15 - 30			[Bar chart showing torque range from 15 to 30 Kgf.cm]															
 <b>S4016</b>	25 - 70			[Bar chart showing torque range from 25 to 70 Kgf.cm]															
 <b>S4020</b>	20 - 45.8			[Bar chart showing torque range from 20 to 45.8 Kgf.cm]															
 <b>S4022</b>	20 - 45.8			[Bar chart showing torque range from 20 to 45.8 Kgf.cm]															
 <b>S4030</b>	Tilting: 30.5 Swivelling: 15			[Bar chart showing torque range from 15 to 30.5 Kgf.cm]															
 <b>S4032</b>	Tilting: 71.5 Swivelling: 30.5			[Bar chart showing torque range from 30.5 to 71.5 Kgf.cm]															

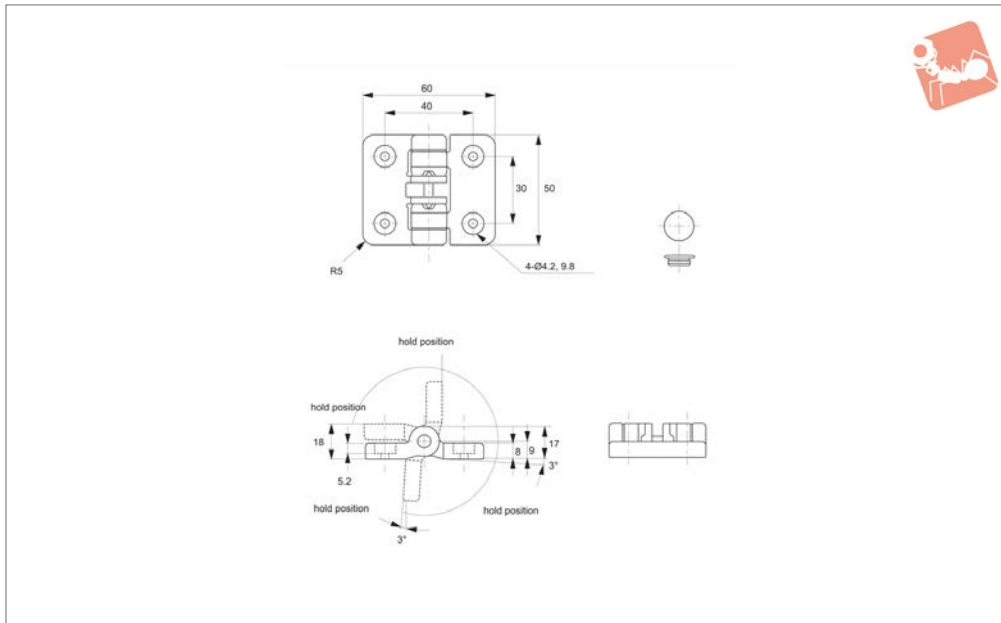


# Detent Positioning Hinges

screw mount - plastic



## Hinges



### S4100

HINGES

#### Material

Body: polyacetal.  
Caps: polypropylene.  
Pin: AISI 304 stainless steel.

without secondary mechanical support.  
Holding force approx. 5Kgf.cm.

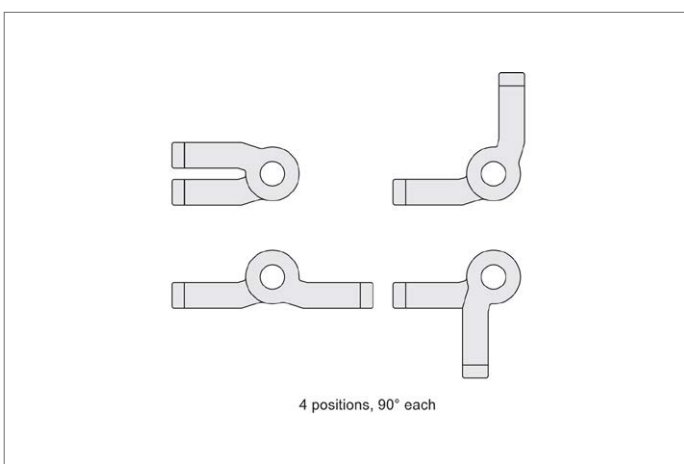
#### Tips

Suitable for medical, food processing and factory automation machines.

#### Technical Notes

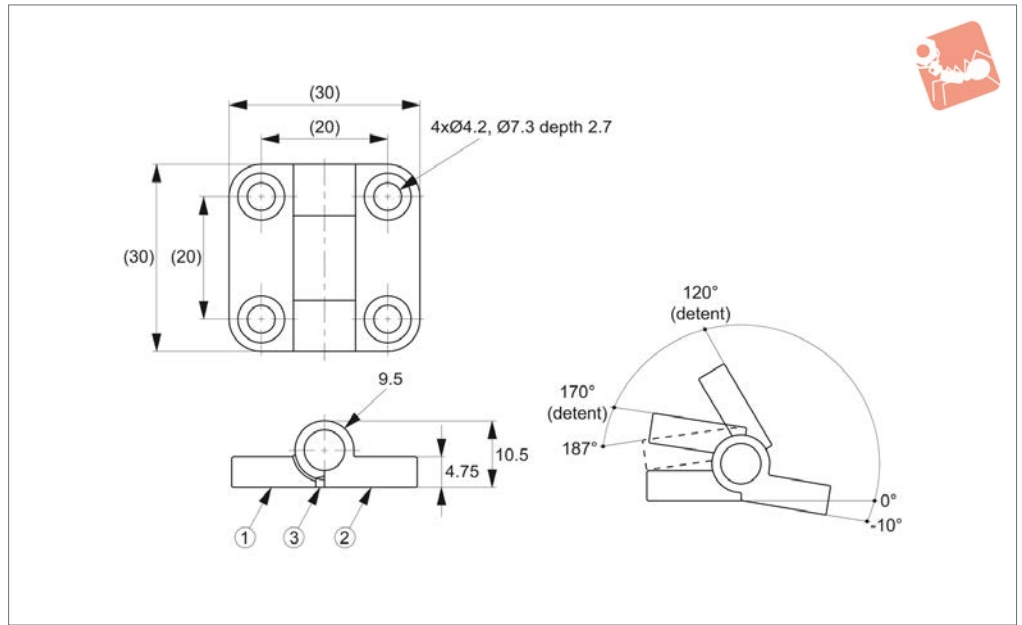
Holds doors open at 4x90° positions

Order No.	Colour	Weight g
S4100.AC0010	Ivory	30
S4100.AC0020	Black	30





**S4102**



**Technical Notes**

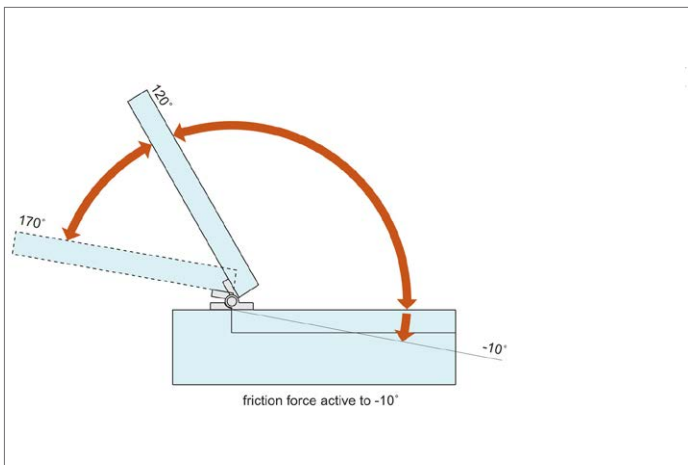
Plastic hinge holds doors at 3 different positions without secondary support (-10°, 120° and 170°). Can be used horizontally

or vertically. Additional stopper is recommended at 0° and 170°. Successfully passed for the 40,000 open/close private cycle test.

**Tips**

Recommended screw: Pan wood screw M4.

Order No.	Colour	Weight g
S4102.AW0010	Black	8
S4102.AW0020	White	8





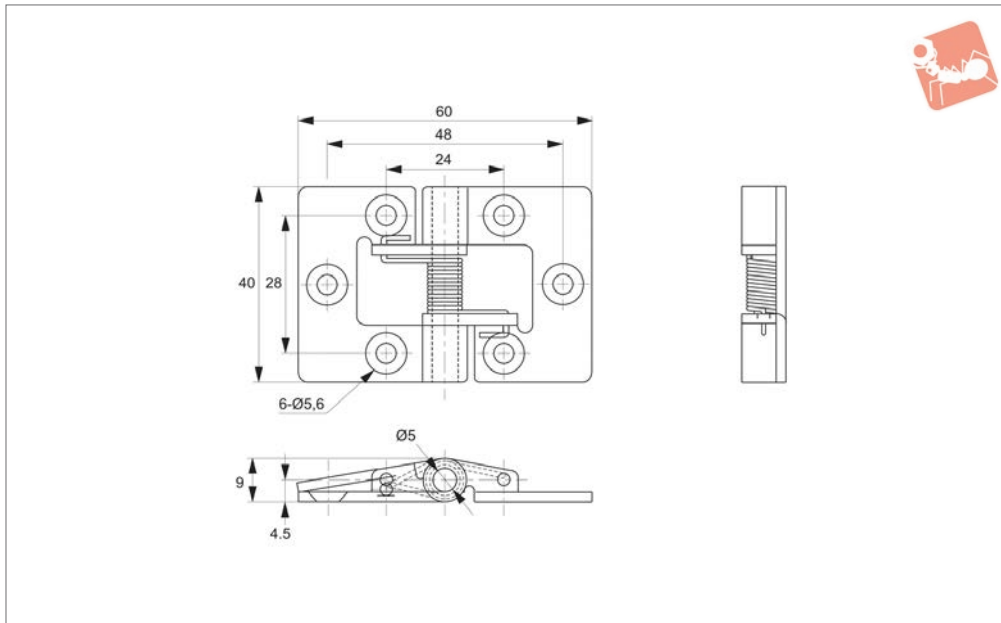


# Spring Hinges - High Tension

screw mount - stainless



## Hinges



## S4200

HINGES

### Material

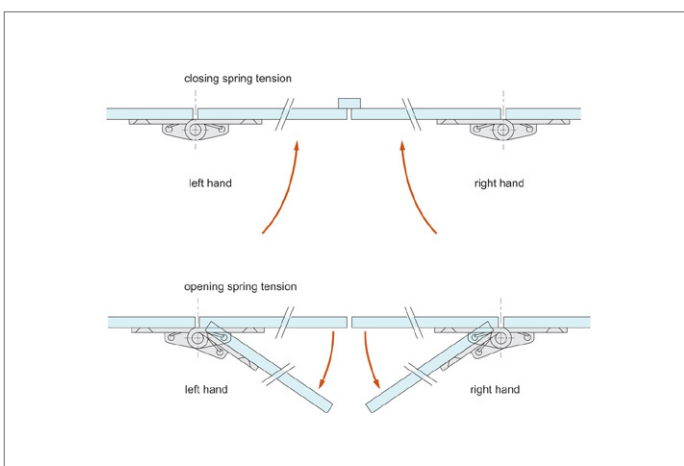
Stainless steel, AISI 304, polished finish.

opening type - spring works to keep door/  
panel open; closing type - spring works to  
close the door/panel.

### Technical Notes

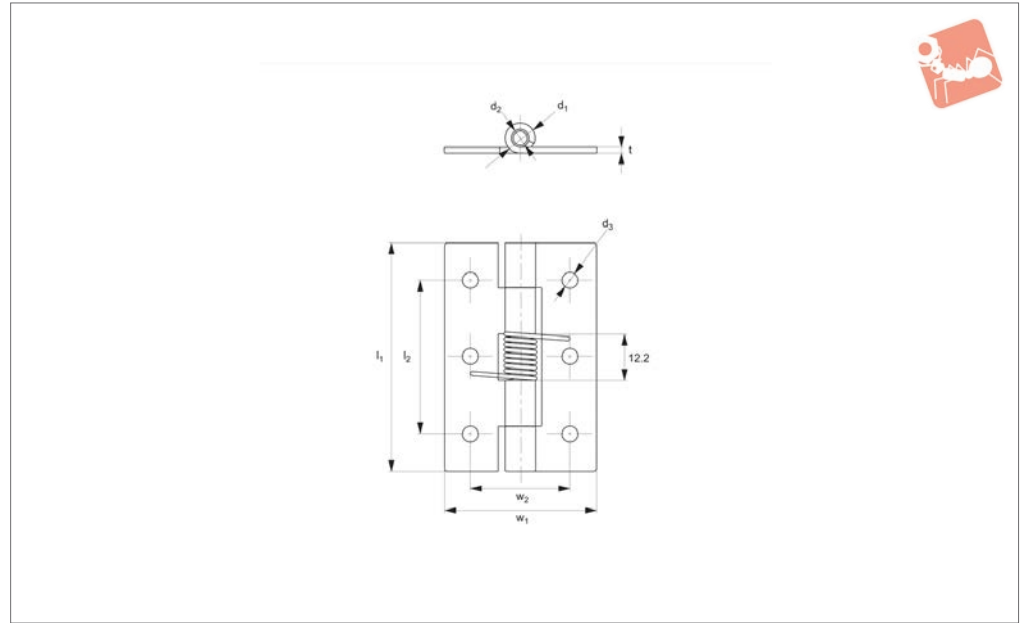
Two spring tension types available;

Order No.	Spring tension	Hand	Weight g
S4200.AC0010	Closing	Left	41
S4200.AC0110	Opening	Left	41
S4200.AC0020	Closing	Right	41
S4200.AC0120	Opening	Right	41





## S4202



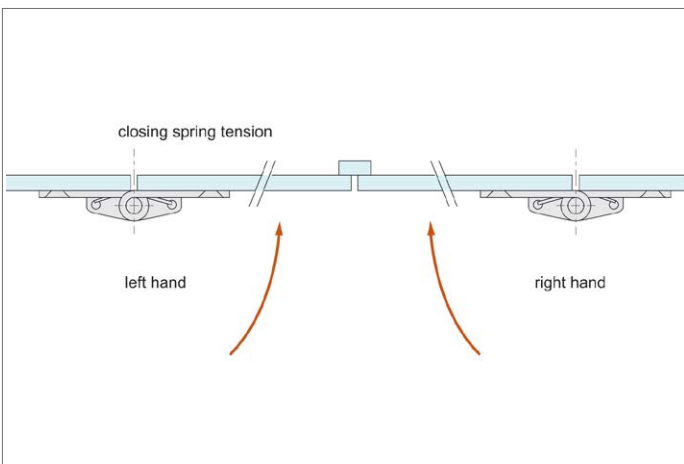
### Material

Stainless steel, AISI 304, plain finish.

### Technical Notes

Spring tension in this hinge is designed to keep doors closed.

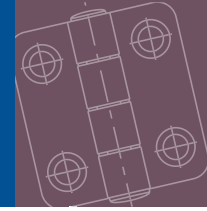
Order No.	Spring load kg	Spring tension	$l_1$	$l_2$	$t$	$w_1$	$w_2$	$d_1$	$d_2$	$d_3$	Weight g
S4202.AC0020	0.50	Closing	20	-	0.5	14	-	2.2	1	-	5
S4202.AC0025	0.55	Closing	25	14	1.2	32	20	5.8	3	3.2	10
S4202.AC0038	1.20	Closing	38	26	1.5	32	20	6.5	3	3.2	20
S4202.AC0051	0.80	Closing	51	32	1.5	38	25	6.5	3	3.2	35



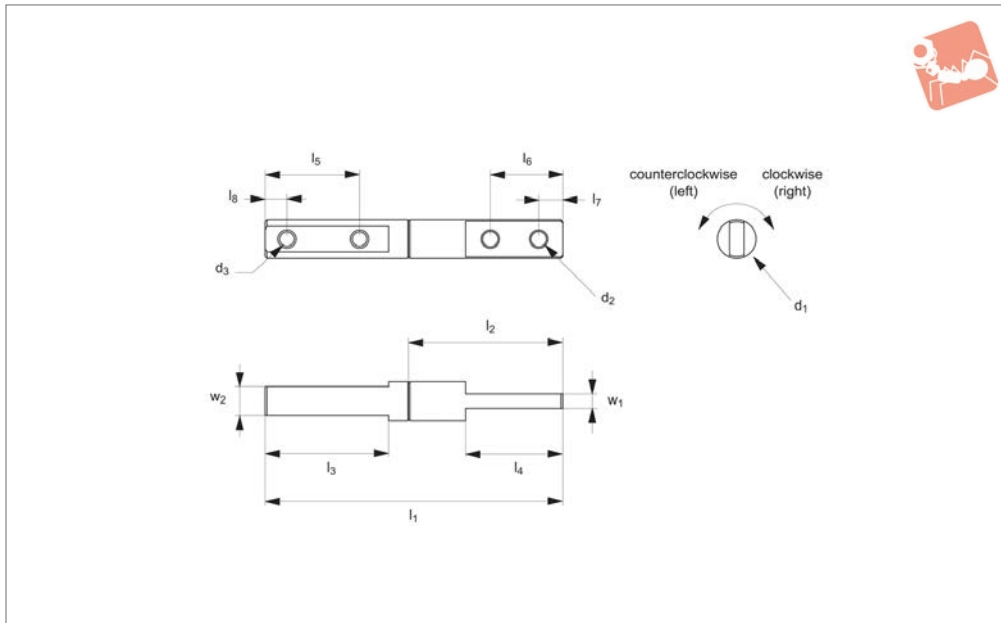


# Friction Hinges

symmetric torque - 0,05-3,80 Nm. - plain bore



## Hinges



### S3810

HINGES

#### Material

Steel with nickel plating finish.

S3810.AC0003 and .AC0004 to within +/- 35%). 360° shaft rotation.

directions.

CW= clockwise.

CCW= counterclockwise.

#### Technical Notes

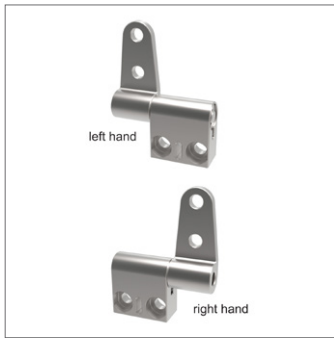
Tested to 10,000 cycles with static torque value remaining within +/- 25%. (Note;

#### Important Notes

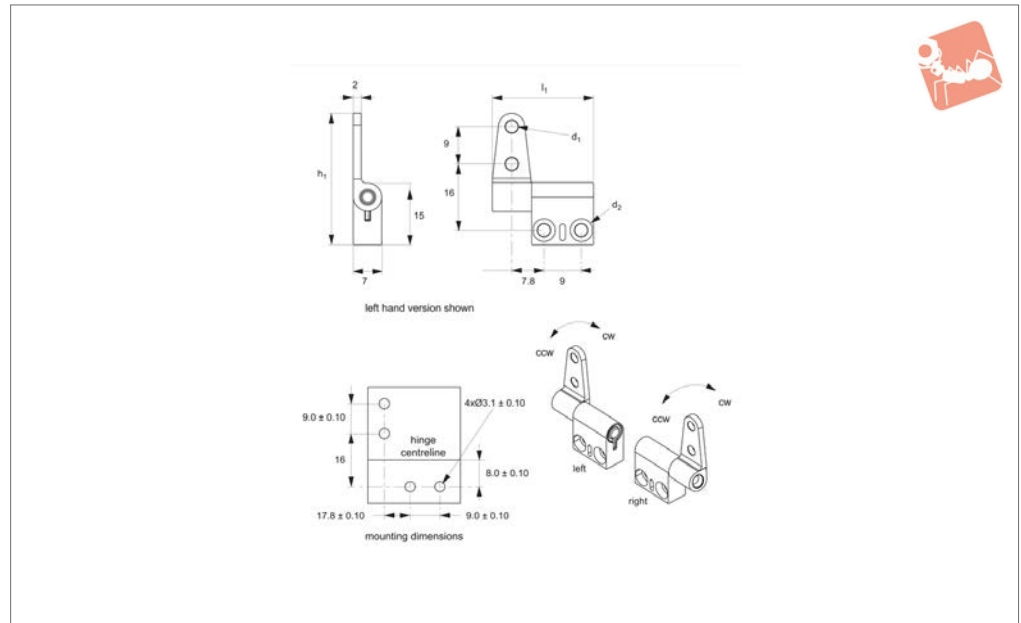
Symmetric hinges, offer same torque value in both clockwise and counterclockwise

Order No.	Dia. size	Torque CW Nm	Torque CCW Nm	Shaft rotation	Torque type	d <sub>1</sub>	d <sub>2</sub>	d <sub>3</sub>
S3810.AC0003	3	0.05	0.05	360°	Symmetric	3	-	-
S3810.AC0004	4	0.13	0.13	360°	Symmetric	4	2.2	2.2
S3810.AC0005	5	0.40	0.40	360°	Symmetric	5	2.6	2.6
S3810.AC0006	6	0.50	0.50	360°	Symmetric	6	3.2	3.2
S3810.AC0007	7	0.60	0.60	360°	Symmetric	7	3.7	3.7
S3810.AC0008	8	0.50	0.50	360°	Symmetric	8	3.2	3.2
S3810.AC0009	8	0.80	0.80	360°	Symmetric	8	3.2	3.2
S3810.AC0010	10	1.00	1.00	360°	Symmetric	10	4.3	4.3

Order No.	l <sub>1</sub>	l <sub>2</sub>	l <sub>3</sub>	l <sub>4</sub>	l <sub>5</sub>	l <sub>6</sub>	l <sub>7</sub>	l <sub>8</sub>	w <sub>1</sub>	w <sub>2</sub>
S3810.AC0003	27.0	9.2	8.0	8.0	-	-	-	-	1.5	-
S3810.AC0004	33.0	12.2	11.0	11.0	7.5	7.5	3.0	3.0	2.0	-
S3810.AC0005	39.0	15.2	14.0	14.0	10.5	10.5	3.5	3.5	2.0	-
S3810.AC0006	41.0	15.5	14.0	14.0	10.5	10.5	3.5	3.5	2.5	-
S3810.AC0007	47.0	18.0	16.0	16.0	12.0	12.0	4.0	4.0	3.0	-
S3810.AC0008	54.5	31.9	20.1	20.1	15.0	15.0	5.0	5.0	3.0	3.0
S3810.AC0009	54.5	31.9	20.1	20.1	15.0	15.0	5.0	5.0	3.0	3.0
S3810.AC0010	57.2	21.5	20.0	20.0	15.0	15.0	5.0	5.0	4.0	-



### S3820



#### Material

Zinc alloy, steel and grease with natural finish.

#### Technical Notes

Tested to 25,000 cycles with static torque value remaining within +/- 20%.

#### Tips

For mounting and installation information

refer to technical diagram.

Also available with black oxide finish, on request and subject to min. quantity.

#### Important Notes

Symmetric hinges, offer same torque value in both clockwise and counterclockwise directions. Asymmetric hinges, offer different torque value in clockwise and counter-

clockwise directions - see data table.

CW= clockwise.

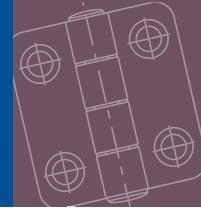
CCW= counterclockwise.

Order No.	Torque CW Nm	Torque CCW Nm	Shaft rotation	Hand	Torque type	d <sub>1</sub>	d <sub>2</sub>	h <sub>1</sub>	l <sub>1</sub>
S3820.AC0002	0.20	0.20	360°	Right	Symmetric	3.05	Ø5,44x2,54 dpt.	31.68	25.52
S3820.AC1002	0.20	0.20	360°	Left	Symmetric	3.05	Ø5,44x2,54 dpt.	31.68	25.52
S3820.AC0005	0.50	0.50	360°	Right	Symmetric	3.05	Ø5,44x2,54 dpt.	31.68	25.52
S3820.AC1005	0.50	0.50	360°	Left	Symmetric	3.05	Ø5,44x2,54 dpt.	31.68	25.52
S3820.AC0007	0.70	0.70	360°	Right	Symmetric	3.05	Ø5,44x2,54 dpt.	31.68	25.52
S3820.AC1007	0.70	0.70	360°	Left	Symmetric	3.05	Ø5,44x2,54 dpt.	31.68	25.52
S3820.AC0009	0.90	0.90	360°	Right	Symmetric	3.05	Ø5,44x2,54 dpt.	31.68	25.52
S3820.AC1009	0.90	0.90	360°	Left	Symmetric	3.05	Ø5,44x2,54 dpt.	31.68	25.52
S3820.AC0207	0.70	0.40	360°	Right	Asymmetric	3.05	Ø5,44x2,54 dpt.	31.68	25.52
S3820.AC1207	0.70	0.40	360°	Left	Asymmetric	3.05	Ø5,44x2,54 dpt.	31.68	25.52
S3820.AC0209	0.90	0.55	360°	Right	Asymmetric	3.05	Ø5,44x2,54 dpt.	31.68	25.52
S3820.AC1209	0.90	0.55	360°	Left	Asymmetric	3.05	Ø5,44x2,54 dpt.	31.68	25.52
S3820.AC0211	1.10	0.70	360°	Right	Asymmetric	3.05	Ø5,44x2,54 dpt.	31.68	25.52
S3820.AC1211	1.10	0.70	360°	Left	Asymmetric	3.05	Ø5,44x2,54 dpt.	31.68	25.52
S3820.AC0307	0.40	0.70	360°	Right	Asymmetric	3.05	Ø5,44x2,54 dpt.	31.68	25.52
S3820.AC1307	0.40	0.70	360°	Left	Asymmetric	3.05	Ø5,44x2,54 dpt.	31.68	25.52
S3820.AC0309	0.55	0.90	360°	Right	Asymmetric	3.05	Ø5,44x2,54 dpt.	31.68	25.52
S3820.AC1309	0.55	0.90	360°	Left	Asymmetric	3.05	Ø5,44x2,54 dpt.	31.68	25.52
S3820.AC0311	0.70	1.10	360°	Right	Asymmetric	3.05	Ø5,44x2,54 dpt.	31.68	25.52
S3820.AC1311	0.70	1.10	360°	Left	Asymmetric	3.05	Ø5,44x2,54 dpt.	31.68	25.52

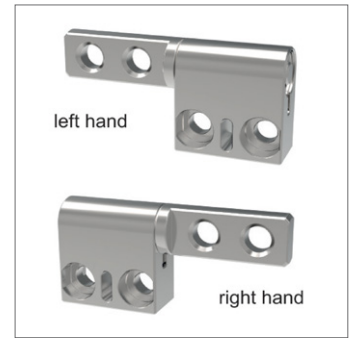
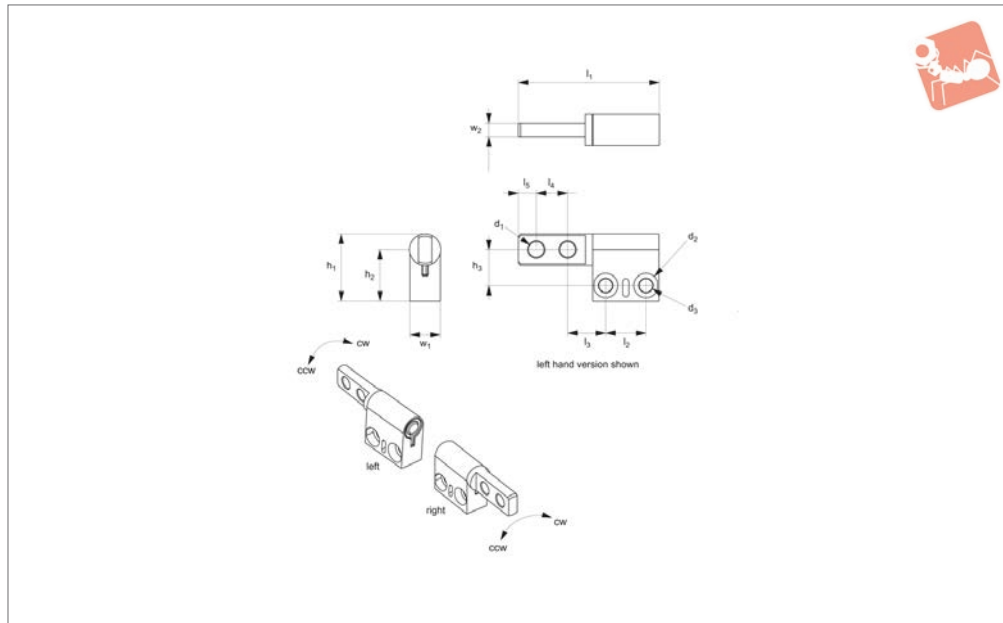


# Friction Hinges

symmetric - asymmetric torque - 0,5-1,1 Nm. -



# Hinges



## S3824

HINGES

### Material

Steel and zinc with natural finish.

### Technical Notes

Tested to 25,000 cycles with static torque value remaining within +/- 20%.

### Tips

Also available as black oxide finish, on

request and subject to min. quantity.

### Important Notes

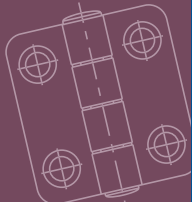
Symmetric hinges, offer same torque value in both clockwise and counterclockwise directions. Asymmetric hinges, offer different torque value in clockwise and counterclockwise directions - see data table.

CW= clockwise

CCW= counterclockwise

Order No.	Torque CW Nm	Torque CCW Nm	Shaft rotation	Hand	Torque type	d <sub>1</sub>	d <sub>2</sub>
S3824.AC0002	0.20	0.20	360°	Right	Symmetric	3.5	Ø5,44x2,54 dpt.
S3824.AC0005	0.50	0.50	360°	Right	Symmetric	3.5	Ø5,44x2,54 dpt.
S3824.AC0007	0.70	0.70	360°	Right	Symmetric	3.5	Ø5,44x2,54 dpt.
S3824.AC0009	0.90	0.90	360°	Right	Symmetric	3.5	Ø5,44x2,54 dpt.
S3824.AC0207	0.70	0.40	360°	Right	Asymmetric	3.5	Ø5,44x2,54 dpt.
S3824.AC0209	0.90	0.55	360°	Right	Asymmetric	3.5	Ø5,44x2,54 dpt.
S3824.AC0211	1.10	0.70	360°	Right	Asymmetric	3.5	Ø5,44x2,54 dpt.
S3824.AC0307	0.40	0.70	360°	Right	Asymmetric	3.5	Ø5,44x2,54 dpt.
S3824.AC0309	0.55	0.90	360°	Right	Asymmetric	3.5	Ø5,44x2,54 dpt.
S3824.AC0311	0.70	1.10	360°	Right	Asymmetric	3.5	Ø5,44x2,54 dpt.
S3824.AC1002	0.20	0.20	360°	Left	Symmetric	3.5	Ø5,44x2,54 dpt.
S3824.AC1005	0.50	0.50	360°	Left	Symmetric	3.5	Ø5,44x2,54 dpt.
S3824.AC1007	0.70	0.70	360°	Left	Symmetric	3.5	Ø5,44x2,54 dpt.
S3824.AC1009	0.90	0.90	360°	Left	Symmetric	3.5	Ø5,44x2,54 dpt.
S3824.AC1207	0.70	0.40	360°	Left	Asymmetric	3.5	Ø5,44x2,54 dpt.
S3824.AC1209	0.90	0.55	360°	Left	Asymmetric	3.5	Ø5,44x2,54 dpt.
S3824.AC1211	1.10	0.70	360°	Left	Asymmetric	3.5	Ø5,44x2,54 dpt.
S3824.AC1307	0.40	0.70	360°	Left	Asymmetric	3.5	Ø5,44x2,54 dpt.
S3824.AC1309	0.55	0.90	360°	Left	Asymmetric	3.5	Ø5,44x2,54 dpt.
S3824.AC1311	0.70	1.10	360°	Left	Asymmetric	3.5	Ø5,44x2,54 dpt.

Order No.	d <sub>3</sub>	h <sub>1</sub>	h <sub>2</sub>	h <sub>3</sub>	l <sub>1</sub>	l <sub>2</sub>	l <sub>3</sub>	l <sub>4</sub>	l <sub>5</sub>	w <sub>1</sub>	w <sub>2</sub>
S3824.AC0002	3.05	15	12	8	32	9	9	7	4	7	3
S3824.AC0005	3.05	15	12	8	32	9	9	7	4	7	3
S3824.AC0007	3.05	15	12	8	32	9	9	7	4	7	3
S3824.AC0009	3.05	15	12	8	32	9	9	7	4	7	3
S3824.AC0207	3.05	15	12	8	32	9	9	7	4	7	3
S3824.AC0209	3.05	15	12	8	32	9	9	7	4	7	3
S3824.AC0211	3.05	15	12	8	32	9	9	7	4	7	3



## Friction Hinges

symmetric - asymmetric torque - 0,5-1,1 Nm. -

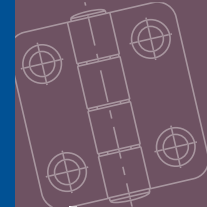


Order No.	d <sub>3</sub>	h <sub>1</sub>	h <sub>2</sub>	h <sub>3</sub>	l <sub>1</sub>	l <sub>2</sub>	l <sub>3</sub>	l <sub>4</sub>	l <sub>5</sub>	w <sub>1</sub>	w <sub>2</sub>
S3824.AC0307	3.05	15	12	8	32	9	9	7	4	7	3
S3824.AC0309	3.05	15	12	8	32	9	9	7	4	7	3
S3824.AC0311	3.05	15	12	8	32	9	9	7	4	7	3
S3824.AC1002	3.05	15	12	8	32	9	9	7	4	7	3
S3824.AC1005	3.05	15	12	8	32	9	9	7	4	7	3
S3824.AC1007	3.05	15	12	8	32	9	9	7	4	7	3
S3824.AC1009	3.05	15	12	8	32	9	9	7	4	7	3
S3824.AC1207	3.05	15	12	8	32	9	9	7	4	7	3
S3824.AC1209	3.05	15	12	8	32	9	9	7	4	7	3
S3824.AC1211	3.05	15	12	8	32	9	9	7	4	7	3
S3824.AC1307	3.05	15	12	8	32	9	9	7	4	7	3
S3824.AC1309	3.05	15	12	8	32	9	9	7	4	7	3
S3824.AC1311	3.05	15	12	8	32	9	9	7	4	7	3

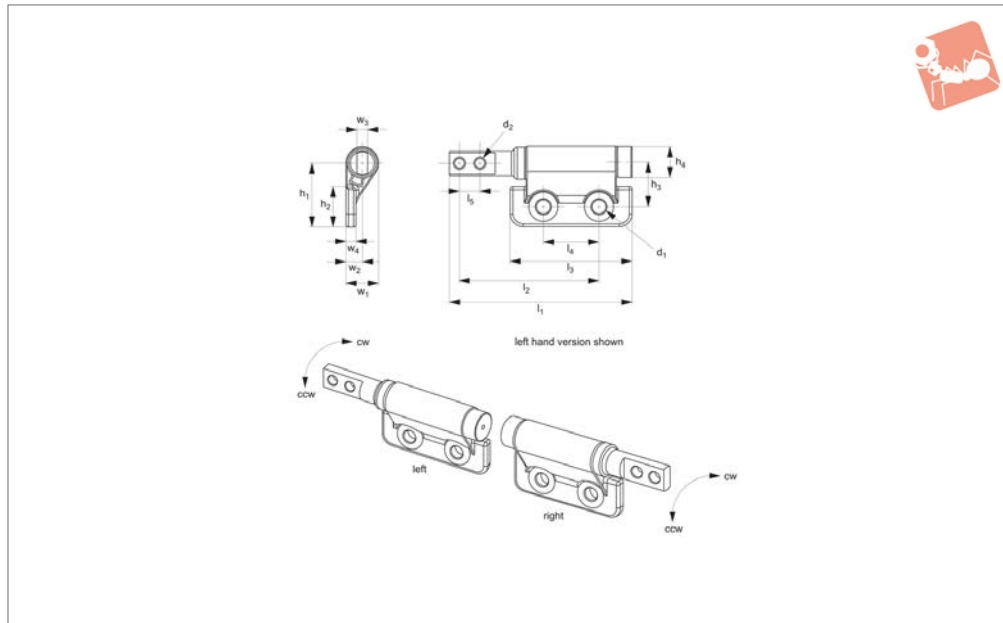


# Friction Hinges

symmetric - asymmetric torque - 0,0-3,4 Nm. - plain



# Hinges



## S3830

HINGES

### Material

Zinc alloy, steel, grease and o-ring with natural finish.

### Technical Notes

Tested to 25,000 cycles with static torque value remaining within +/- 20%. Oil ring seals against environmental contamina-

tion.

### Tips

Also available as black oxide finish, on request and subject to min. quantity.

### Important Notes

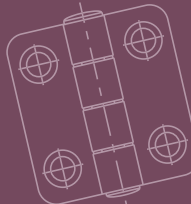
Symmetric hinges, offer same torque value

in both clockwise and counterclockwise directions. Asymmetric hinges, offer different torque value in clockwise and counterclockwise directions - see data table.

CW= clockwise.

CCW= counterclockwise.

Order No.	Torque CW Nm	Torque CCW Nm	Shaft rotation	Hand	Torque type	d <sub>1</sub>	d <sub>2</sub>
S3830.AC0000	0.0	0.0	270°	Right	Symmetric	5	3.3
S3830.AC0009	0.9	0.9	270°	Right	Symmetric	5	3.3
S3830.AC0014	1.4	1.4	270°	Right	Symmetric	5	3.3
S3830.AC0018	1.8	1.8	270°	Right	Symmetric	5	3.3
S3830.AC0023	2.3	2.3	270°	Right	Symmetric	5	3.3
S3830.AC0027	2.7	2.7	270°	Right	Symmetric	5	3.3
S3830.AC0214	1.4	0.8	270°	Right	Asymmetric	5	3.3
S3830.AC0218	1.8	1.1	270°	Right	Asymmetric	5	3.3
S3830.AC0223	2.3	1.4	270°	Right	Asymmetric	5	3.3
S3830.AC0227	2.7	1.6	270°	Right	Asymmetric	5	3.3
S3830.AC0234	3.4	2.0	270°	Right	Asymmetric	5	3.3
S3830.AC0314	0.8	1.4	270°	Right	Asymmetric	5	3.3
S3830.AC0318	1.1	1.8	270°	Right	Asymmetric	5	3.3
S3830.AC0323	1.4	2.3	270°	Right	Asymmetric	5	3.3
S3830.AC0327	1.6	2.7	270°	Right	Asymmetric	5	3.3
S3830.AC0334	2.0	3.4	270°	Right	Asymmetric	5	3.3
S3830.AC1000	0.0	0.0	270°	Left	Symmetric	5	3.3
S3830.AC1009	0.9	0.9	270°	Left	Symmetric	5	3.3
S3830.AC1014	1.4	1.4	270°	Left	Symmetric	5	3.3
S3830.AC1018	1.8	1.8	270°	Left	Symmetric	5	3.3
S3830.AC1023	2.3	2.3	270°	Left	Symmetric	5	3.3
S3830.AC1027	2.7	2.7	270°	Left	Symmetric	5	3.3
S3830.AC1214	1.4	0.8	270°	Left	Asymmetric	5	3.3
S3830.AC1218	1.8	1.1	270°	Left	Asymmetric	5	3.3
S3830.AC1223	2.3	1.4	270°	Left	Asymmetric	5	3.3
S3830.AC1227	2.7	1.6	270°	Left	Asymmetric	5	3.3
S3830.AC1234	3.4	2.0	270°	Left	Asymmetric	5	3.3
S3830.AC1314	0.8	1.4	270°	Left	Asymmetric	5	3.3
S3830.AC1318	1.1	1.8	270°	Left	Asymmetric	5	3.3
S3830.AC1323	1.4	2.3	270°	Left	Asymmetric	5	3.3



## Friction Hinges

symmetric - asymmetric torque - 0,0-3,4 Nm. - plain



Order No.	Torque CW Nm	Torque CCW Nm	Shaft rotation	Hand	Torque type	d <sub>1</sub>	d <sub>2</sub>
S3830.AC1327	1.6	2.7	270°	Left	Asymmetric	5	3.3
S3830.AC1334	2.0	3.4	270°	Left	Asymmetric	5	3.3

Order No.	h <sub>1</sub>	h <sub>2</sub>	h <sub>3</sub>	l <sub>1</sub>	l <sub>2</sub>	l <sub>3</sub>	l <sub>4</sub>	l <sub>5</sub>	w <sub>1</sub>	w <sub>2</sub>	w <sub>3</sub>	w <sub>4</sub>
S3830.AC0000	20	12.5	14	57.15	43.76	38	17.8	6.35	10	5	3.18	3
S3830.AC0009	20	12.5	14	57.15	43.76	38	17.8	6.35	10	5	3.18	3
S3830.AC0014	20	12.5	14	57.15	43.76	38	17.8	6.35	10	5	3.18	3
S3830.AC0018	20	12.5	14	57.15	43.76	38	17.8	6.35	10	5	3.18	3
S3830.AC0023	20	12.5	14	57.15	43.76	38	17.8	6.35	10	5	3.18	3
S3830.AC0027	20	12.5	14	57.15	43.76	38	17.8	6.35	10	5	3.18	3
S3830.AC0214	20	12.5	14	57.15	43.76	38	17.8	6.35	10	5	3.18	3
S3830.AC0218	20	12.5	14	57.15	43.76	38	17.8	6.35	10	5	3.18	3
S3830.AC0223	20	12.5	14	57.15	43.76	38	17.8	6.35	10	5	3.18	3
S3830.AC0227	20	12.5	14	57.15	43.76	38	17.8	6.35	10	5	3.18	3
S3830.AC0234	20	12.5	14	57.15	43.76	38	17.8	6.35	10	5	3.18	3
S3830.AC0314	20	12.5	14	57.15	43.76	38	17.8	6.35	10	5	3.18	3
S3830.AC0318	20	12.5	14	57.15	43.76	38	17.8	6.35	10	5	3.18	3
S3830.AC0323	20	12.5	14	57.15	43.76	38	17.8	6.35	10	5	3.18	3
S3830.AC0327	20	12.5	14	57.15	43.76	38	17.8	6.35	10	5	3.18	3
S3830.AC0334	20	12.5	14	57.15	43.76	38	17.8	6.35	10	5	3.18	3
S3830.AC1000	20	12.5	14	57.15	43.76	38	17.8	6.35	10	5	3.18	3
S3830.AC1009	20	12.5	14	57.15	43.76	38	17.8	6.35	10	5	3.18	3
S3830.AC1014	20	12.5	14	57.15	43.76	38	17.8	6.35	10	5	3.18	3
S3830.AC1018	20	12.5	14	57.15	43.76	38	17.8	6.35	10	5	3.18	3
S3830.AC1023	20	12.5	14	57.15	43.76	38	17.8	6.35	10	5	3.18	3
S3830.AC1027	20	12.5	14	57.15	43.76	38	17.8	6.35	10	5	3.18	3
S3830.AC1214	20	12.5	14	57.15	43.76	38	17.8	6.35	10	5	3.18	3
S3830.AC1218	20	12.5	14	57.15	43.76	38	17.8	6.35	10	5	3.18	3
S3830.AC1223	20	12.5	14	57.15	43.76	38	17.8	6.35	10	5	3.18	3
S3830.AC1227	20	12.5	14	57.15	43.76	38	17.8	6.35	10	5	3.18	3
S3830.AC1234	20	12.5	14	57.15	43.76	38	17.8	6.35	10	5	3.18	3
S3830.AC1314	20	12.5	14	57.15	43.76	38	17.8	6.35	10	5	3.18	3
S3830.AC1318	20	12.5	14	57.15	43.76	38	17.8	6.35	10	5	3.18	3
S3830.AC1323	20	12.5	14	57.15	43.76	38	17.8	6.35	10	5	3.18	3
S3830.AC1327	20	12.5	14	57.15	43.76	38	17.8	6.35	10	5	3.18	3
S3830.AC1334	20	12.5	14	57.15	43.76	38	17.8	6.35	10	5	v	3



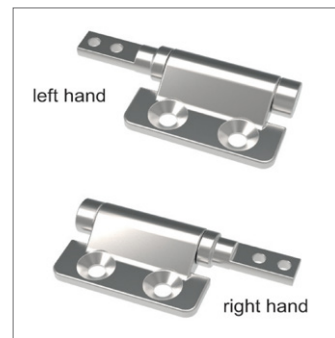
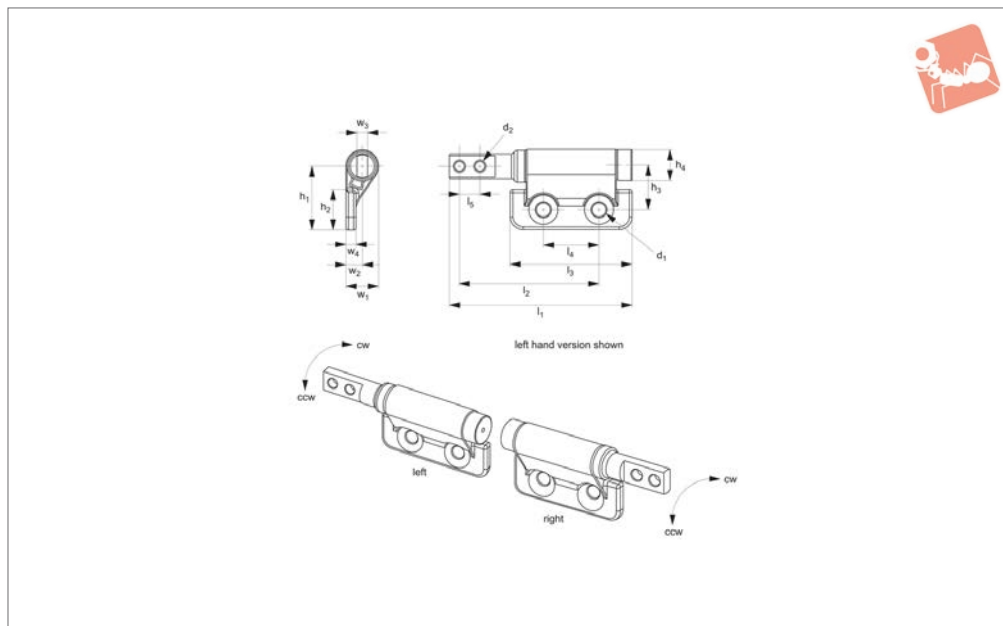


# Friction Hinges

symmetric - asymmetric torque - 0,0-3,4 Nm. -



## Hinges



## S3834

HINGES

### Material

Zinc alloy, steel, grease and o-ring with natural finish.

### Technical Notes

Tested to 25,000 cycles with static torque value remaining within +/- 20%. 270° shaft rotation. Oil ring seals against envi-

ronmental contamination.

### Tips

Also available as black oxide finish, on request and subject to min. quantity.

### Important Notes

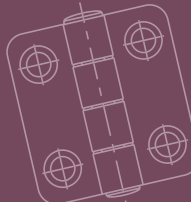
Symmetric hinges, offer same torque value

in both clockwise and counterclockwise directions. Asymmetric hinges, offer different torque value in clockwise and counterclockwise directions - see data table.

CW= clockwise.

CCW= counterclockwise.

Order No.	Torque CW Nm	Torque CCW Nm	Shaft rotation	Hand	Torque type	d <sub>1</sub>	d <sub>2</sub>
S3834.AC0000	0.0	0.0	270°	Right	Symmetric	4.5	3.3
S3834.AC0009	0.9	0.9	270°	Right	Symmetric	4.5	3.3
S3834.AC0014	1.4	1.4	270°	Right	Symmetric	4.5	3.3
S3834.AC0018	1.8	1.8	270°	Right	Symmetric	4.5	3.3
S3834.AC0023	2.3	2.3	270°	Right	Symmetric	4.5	3.3
S3834.AC0027	2.7	2.7	270°	Right	Symmetric	4.5	3.3
S3834.AC0214	1.4	0.8	270°	Right	Asymmetric	4.5	3.3
S3834.AC0218	1.8	1.1	270°	Right	Asymmetric	4.5	3.3
S3834.AC0223	2.3	1.4	270°	Right	Asymmetric	4.5	3.3
S3834.AC0227	2.7	1.6	270°	Right	Asymmetric	4.5	3.3
S3834.AC0234	3.4	2.0	270°	Right	Asymmetric	4.5	3.3
S3834.AC0314	0.8	1.4	270°	Right	Asymmetric	4.5	3.3
S3834.AC0318	1.1	1.8	270°	Right	Asymmetric	4.5	3.3
S3834.AC0323	1.4	2.3	270°	Right	Asymmetric	4.5	3.3
S3834.AC0327	1.6	2.7	270°	Right	Asymmetric	4.5	3.3
S3834.AC0334	2.0	3.4	270°	Right	Asymmetric	4.5	3.3
S3834.AC1000	0.0	0.0	270°	Left	Symmetric	4.5	3.3
S3834.AC1009	0.9	0.9	270°	Left	Symmetric	4.5	3.3
S3834.AC1014	1.4	1.4	270°	Left	Symmetric	4.5	3.3
S3834.AC1018	1.8	1.8	270°	Left	Symmetric	4.5	3.3
S3834.AC1023	2.3	2.3	270°	Left	Symmetric	4.5	3.3
S3834.AC1027	2.7	2.7	270°	Left	Symmetric	4.5	3.3
S3834.AC1214	1.4	0.8	270°	Left	Asymmetric	4.5	3.3
S3834.AC1218	1.8	1.1	270°	Left	Asymmetric	4.5	3.3
S3834.AC1223	2.3	1.4	270°	Left	Asymmetric	4.5	3.3
S3834.AC1227	2.7	1.6	270°	Left	Asymmetric	4.5	3.3
S3834.AC1234	3.4	2.0	270°	Left	Asymmetric	4.5	3.3
S3834.AC1314	0.8	1.4	270°	Left	Asymmetric	4.5	3.3
S3834.AC1318	1.1	1.8	270°	Left	Asymmetric	4.5	3.3
S3834.AC1323	1.4	2.3	270°	Left	Asymmetric	4.5	3.3



## Friction Hinges

symmetric - asymmetric torque - 0,0-3,4 Nm. -



Order No.	Torque CW Nm	Torque CCW Nm	Shaft rotation	Hand	Torque type	d <sub>1</sub>	d <sub>2</sub>
<b>S3834.AC1327</b>	1.6	2.7	270°	Left	Asymmetric	4.5	3.3
<b>S3834.AC1334</b>	2.0	3.4	270°	Left	Asymmetric	4.5	3.3

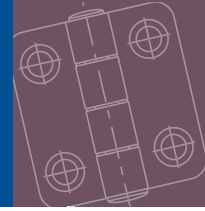
HINGES

Order No.	h <sub>1</sub>	h <sub>2</sub>	h <sub>3</sub>	l <sub>1</sub>	l <sub>2</sub>	l <sub>3</sub>	l <sub>4</sub>	l <sub>5</sub>	w <sub>1</sub>	w <sub>2</sub>	w <sub>3</sub>	w <sub>4</sub>
<b>S3834.AC0000</b>	20	12.5	14	57.15	43.76	38	17.8	6.35	10	5	3.18	3
<b>S3834.AC0009</b>	20	12.5	14	57.15	43.76	38	17.8	6.35	10	5	3.18	3
<b>S3834.AC0014</b>	20	12.5	14	57.15	43.76	38	17.8	6.35	10	5	3.18	3
<b>S3834.AC0018</b>	20	12.5	14	57.15	43.76	38	17.8	6.35	10	5	3.18	3
<b>S3834.AC0023</b>	20	12.5	14	57.15	43.76	38	17.8	6.35	10	5	3.18	3
<b>S3834.AC0027</b>	20	12.5	14	57.15	43.76	38	17.8	6.35	10	5	3.18	3
<b>S3834.AC0214</b>	20	12.5	14	57.15	43.76	38	17.8	6.35	10	5	3.18	3
<b>S3834.AC0218</b>	20	12.5	14	57.15	43.76	38	17.8	6.35	10	5	3.18	3
<b>S3834.AC0223</b>	20	12.5	14	57.15	43.76	38	17.8	6.35	10	5	3.18	3
<b>S3834.AC0227</b>	20	12.5	14	57.15	43.76	38	17.8	6.35	10	5	3.18	3
<b>S3834.AC0234</b>	20	12.5	14	57.15	43.76	38	17.8	6.35	10	5	3.18	3
<b>S3834.AC0314</b>	20	12.5	14	57.15	43.76	38	17.8	6.35	10	5	3.18	3
<b>S3834.AC0318</b>	20	12.5	14	57.15	43.76	38	17.8	6.35	10	5	3.18	3
<b>S3834.AC0323</b>	20	12.5	14	57.15	43.76	38	17.8	6.35	10	5	3.18	3
<b>S3834.AC0327</b>	20	12.5	14	57.15	43.76	38	17.8	6.35	10	5	3.18	3
<b>S3834.AC0334</b>	20	12.5	14	57.15	43.76	38	17.8	6.35	10	5	3.18	3
<b>S3834.AC1000</b>	20	12.5	14	57.15	43.76	38	17.8	6.35	10	5	3.18	3
<b>S3834.AC1009</b>	20	12.5	14	57.15	43.76	38	17.8	6.35	10	5	3.18	3
<b>S3834.AC1014</b>	20	12.5	14	57.15	43.76	38	17.8	6.35	10	5	3.18	3
<b>S3834.AC1018</b>	20	12.5	14	57.15	43.76	38	17.8	6.35	10	5	3.18	3
<b>S3834.AC1023</b>	20	12.5	14	57.15	43.76	38	17.8	6.35	10	5	3.18	3
<b>S3834.AC1027</b>	20	12.5	14	57.15	43.76	38	17.8	6.35	10	5	3.18	3
<b>S3834.AC1214</b>	20	12.5	14	57.15	43.76	38	17.8	6.35	10	5	3.18	3
<b>S3834.AC1218</b>	20	12.5	14	57.15	43.76	38	17.8	6.35	10	5	3.18	3
<b>S3834.AC1223</b>	20	12.5	14	57.15	43.76	38	17.8	6.35	10	5	3.18	3
<b>S3834.AC1227</b>	20	12.5	14	57.15	43.76	38	17.8	6.35	10	5	3.18	3
<b>S3834.AC1234</b>	20	12.5	14	57.15	43.76	38	17.8	6.35	10	5	3.18	3
<b>S3834.AC1314</b>	20	12.5	14	57.15	43.76	38	17.8	6.35	10	5	3.18	3
<b>S3834.AC1318</b>	20	12.5	14	57.15	43.76	38	17.8	6.35	10	5	3.18	3
<b>S3834.AC1323</b>	20	12.5	14	57.15	43.76	38	17.8	6.35	10	5	3.18	3
<b>S3834.AC1327</b>	20	12.5	14	57.15	43.76	38	17.8	6.35	10	5	3.18	3
<b>S3834.AC1334</b>	20	12.5	14	57.15	43.76	38	17.8	6.35	10	5	3.18	3

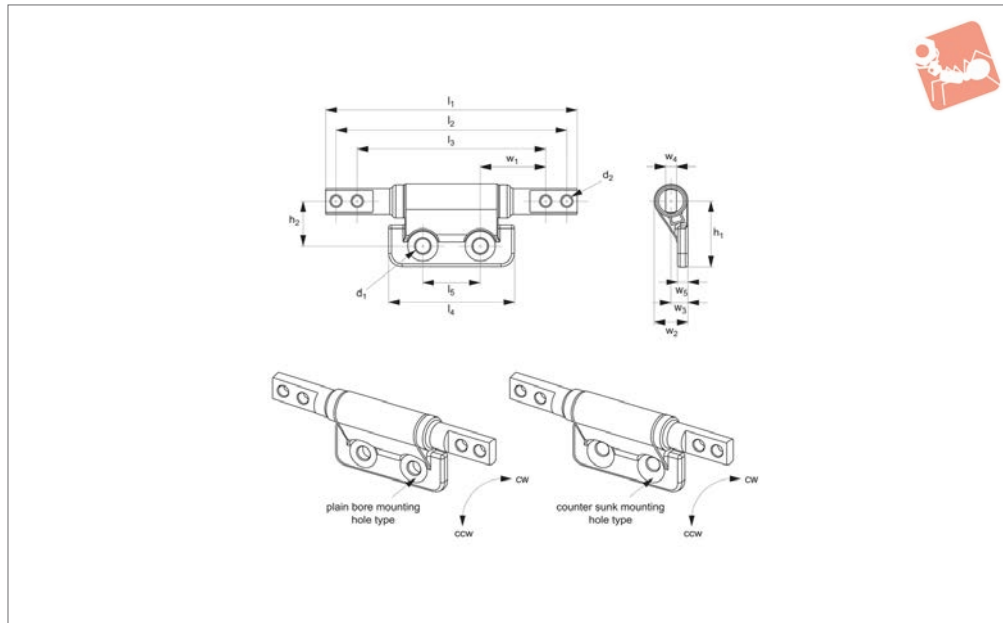


# Friction Hinges

symmetric - asymmetric torque - 0,0-3,4 Nm. -



# Hinges



## S3840

HINGES

### Material

Zinc alloy, steel, grease and o-ring with natural finish.

### Technical Notes

Tested to 25,000 cycles with static torque value remaining within +/- 20%. Oil ring seals against environmental contamina-

tion.

### Tips

Also available as black oxide finish, on request and subject to min. quantity.

### Important Notes

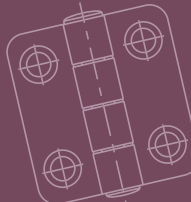
Symmetric hinges, offer same torque value

in both clockwise and counterclockwise directions. Asymmetric hinges, offer different torque value in clockwise and counterclockwise directions - see data table.

CW= clockwise.

CCW= counterclockwise.

Order No.	Torque CW Nm	Torque CCW Nm	Shaft rotation	Mounting hole	Counter sunk Torque Type
S3840.AC0000	0.0	0.0	270°	Plain	Symmetric
S3840.AC0009	0.9	0.9	270°	Plain	Symmetric
S3840.AC0014	1.4	1.4	270°	Plain	Symmetric
S3840.AC0018	1.8	1.8	270°	Plain	Symmetric
S3840.AC0023	2.3	2.3	270°	Plain	Symmetric
S3840.AC0027	2.7	2.7	270°	Plain	Symmetric
S3840.AC0214	1.4	0.8	270°	Plain	Asymmetric
S3840.AC0218	1.8	1.1	270°	Plain	Asymmetric
S3840.AC0223	2.3	1.4	270°	Plain	Asymmetric
S3840.AC0227	2.7	1.6	270°	Plain	Asymmetric
S3840.AC0234	3.4	2.0	270°	Plain	Asymmetric
S3840.AC0314	0.8	1.4	270°	Plain	Asymmetric
S3840.AC0318	1.1	1.8	270°	Plain	Asymmetric
S3840.AC0323	1.4	2.3	270°	Plain	Asymmetric
S3840.AC0327	1.6	2.7	270°	Plain	Asymmetric
S3840.AC0334	2.0	3.4	270°	C'sunk	Asymmetric
S3840.AC1000	0.0	0.0	270°	C'sunk	Symmetric
S3840.AC1009	0.9	0.9	270°	C'sunk	Symmetric
S3840.AC1014	1.4	1.4	270°	C'sunk	Symmetric
S3840.AC1018	1.8	1.8	270°	C'sunk	Symmetric
S3840.AC1023	2.3	2.3	270°	C'sunk	Symmetric
S3840.AC1027	2.7	2.7	270°	C'sunk	Symmetric
S3840.AC1214	1.4	0.8	270°	C'sunk	Symmetric
S3840.AC1218	1.8	1.1	270°	C'sunk	Symmetric
S3840.AC1223	2.3	1.4	270°	C'sunk	Symmetric
S3840.AC1227	2.7	1.6	270°	C'sunk	Symmetric
S3840.AC1234	3.4	2.0	270°	C'sunk	Asymmetric
S3840.AC1314	0.8	1.4	270°	C'sunk	Asymmetric
S3840.AC1318	1.1	1.8	270°	C'sunk	Asymmetric
S3840.AC1323	1.4	2.3	270°	C'sunk	Asymmetric



## Friction Hinges

symmetric - asymmetric torque - 0,0-3,4 Nm. -



Order No.	Torque CW Nm	Torque CCW Nm	Shaft rotation	Mounting hole	Counter sunk Torque Type
S3840.AC1327	1.6	2.7	270°	C'sunk	Asymmetric
S3840.AC1334	2.0	3.4	270°	C'sunk	Asymmetric

HINGES

Order No.	d <sub>1</sub>	d <sub>2</sub>	h <sub>1</sub>	h <sub>2</sub>	l <sub>1</sub>	l <sub>2</sub>	l <sub>3</sub>	l <sub>4</sub>	l <sub>5</sub>	w <sub>1</sub>	w <sub>2</sub>	w <sub>3</sub>	w <sub>4</sub>	w <sub>5</sub>
S3840.AC0000	4.5	3.3	20	14	76.29	69.72	57.02	38	17.8	19.6	10	5	3	3
S3840.AC0009	4.5	3.3	20	14	76.29	69.72	57.02	38	17.8	19.6	10	5	3	3
S3840.AC0014	4.5	3.3	20	14	76.29	69.72	57.02	38	17.8	19.6	10	5	3	3
S3840.AC0018	4.5	3.3	20	14	76.29	69.72	57.02	38	17.8	19.6	10	5	3	3
S3840.AC0023	4.5	3.3	20	14	76.29	69.72	57.02	38	17.8	19.6	10	5	3	3
S3840.AC0027	4.5	3.3	20	14	76.29	69.72	57.02	38	17.8	19.6	10	5	3	3
S3840.AC0214	4.5	3.3	20	14	76.29	69.72	57.02	38	17.8	19.6	10	5	3	3
S3840.AC0218	4.5	3.3	20	14	76.29	69.72	57.02	38	17.8	19.6	10	5	3	3
S3840.AC0223	4.5	3.3	20	14	76.29	69.72	57.02	38	17.8	19.6	10	5	3	3
S3840.AC0227	4.5	3.3	20	14	76.29	69.72	57.02	38	17.8	19.6	10	5	3	3
S3840.AC0234	4.5	3.3	20	14	76.29	69.72	57.02	38	17.8	19.6	10	5	3	3
S3840.AC0314	4.5	3.3	20	14	76.29	69.72	57.02	38	17.8	19.6	10	5	3	3
S3840.AC0318	4.5	3.3	20	14	76.29	69.72	57.02	38	17.8	19.6	10	5	3	3
S3840.AC0323	4.5	3.3	20	14	76.29	69.72	57.02	38	17.8	19.6	10	5	3	3
S3840.AC0327	4.5	3.3	20	14	76.29	69.72	57.02	38	17.8	19.6	10	5	3	3
S3840.AC0334	4.5	3.3	20	14	76.29	69.72	57.02	38	17.8	19.6	10	5	3	3
S3840.AC1000	4.5	3.3	20	14	76.29	69.72	57.02	38	17.8	19.6	10	5	3	3
S3840.AC1009	4.5	3.3	20	14	76.29	69.72	57.02	38	17.8	19.6	10	5	3	3
S3840.AC1014	4.5	3.3	20	14	76.29	69.72	57.02	38	17.8	19.6	10	5	3	3
S3840.AC1018	4.5	3.3	20	14	76.29	69.72	57.02	38	17.8	19.6	10	5	3	3
S3840.AC1023	4.5	3.3	20	14	76.29	69.72	57.02	38	17.8	19.6	10	5	3	3
S3840.AC1027	4.5	3.3	20	14	76.29	69.72	57.02	38	17.8	19.6	10	5	3	3
S3840.AC1214	4.5	3.3	20	14	76.29	69.72	57.02	38	17.8	19.6	10	5	3	3
S3840.AC1218	4.5	3.3	20	14	76.29	69.72	57.02	38	17.8	19.6	10	5	3	3
S3840.AC1223	4.5	3.3	20	14	76.29	69.72	57.02	38	17.8	19.6	10	5	3	3
S3840.AC1227	4.5	3.3	20	14	76.29	69.72	57.02	38	17.8	19.6	10	5	3	3
S3840.AC1234	4.5	3.3	20	14	76.29	69.72	57.02	38	17.8	19.6	10	5	3	3
S3840.AC1314	4.5	3.3	20	14	76.29	69.72	57.02	38	17.8	19.6	10	5	3	3
S3840.AC1318	4.5	3.3	20	14	76.29	69.72	57.02	38	17.8	19.6	10	5	3	3
S3840.AC1323	4.5	3.3	20	14	76.29	69.72	57.02	38	17.8	19.6	10	5	3	3
S3840.AC1327	4.5	3.3	20	14	76.29	69.72	57.02	38	17.8	19.6	10	5	3	3
S3840.AC1334	4.5	3.3	20	14	76.29	69.72	57.02	38	17.8	19.6	10	5	3	3

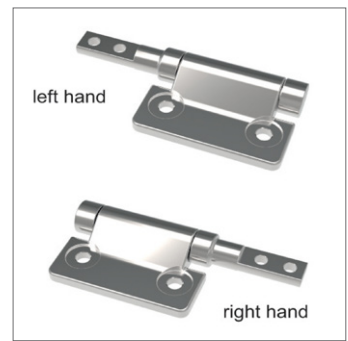
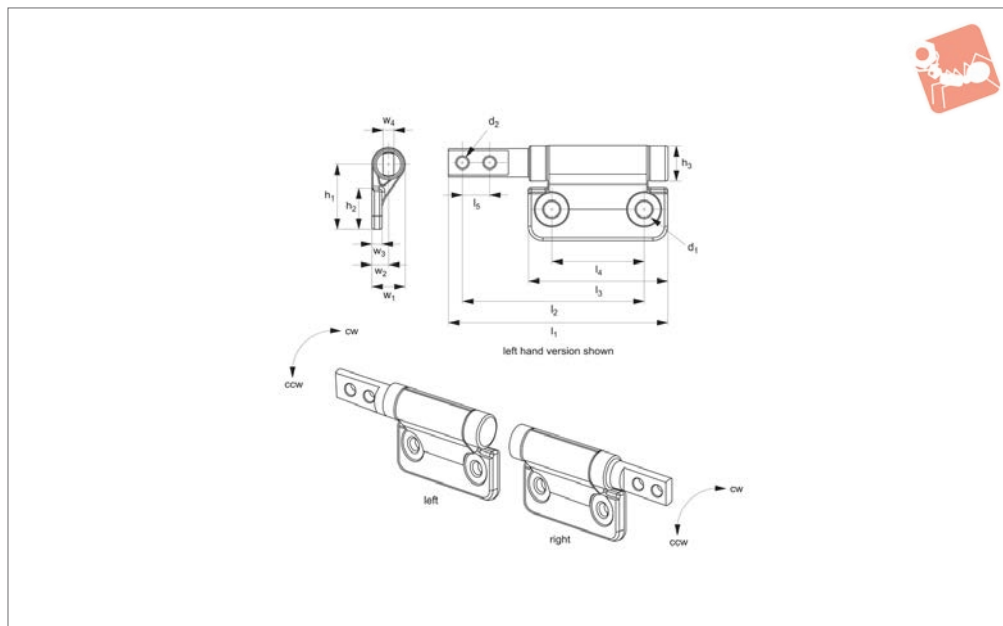


# Friction Hinges

symmetric - asymmetric torque - 0,0-4,5 Nm. - plain



# Hinges



## S3844

HINGES

### Material

Steel and zinc with natural finish.

### Technical Notes

Tested to 25,000 cycles with static torque value remaining within +/- 20%. Oil ring seals against environmental contamination.

### Tips

Also available as black oxide finish, on request and subject to min. quantity.

### Important Notes

Symmetric hinges, offer same torque value in both clockwise and counterclockwise directions. Asymmetric hinges, offer diffe-

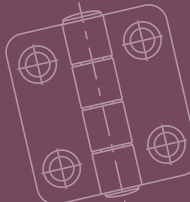
rent torque value in clockwise and counterclockwise directions - see data table.

CW= clockwise.

CCW= counterclockwise.

Order No.	Torque CW Nm	Torque CCW Nm	Shaft rotation	Hand	Torque type	d <sub>1</sub>	d <sub>2</sub>
S3844.AC0000	0.0	0.0	270°	Right	Symmetric	5.2	4.5
S3844.AC0009	0.9	0.9	270°	Right	Symmetric	5.2	4.5
S3844.AC0018	1.8	1.8	270°	Right	Symmetric	5.2	4.5
S3844.AC0023	2.3	2.3	270°	Right	Symmetric	5.2	4.5
S3844.AC0034	3.4	3.4	270°	Right	Symmetric	5.2	4.5
S3844.AC0223	2.3	1.4	270°	Right	Asymmetric	5.2	4.5
S3844.AC0234	3.4	2.0	270°	Right	Asymmetric	5.2	4.5
S3844.AC0245	4.5	2.7	270°	Right	Asymmetric	5.2	4.5
S3844.AC0323	1.4	2.3	270°	Right	Asymmetric	5.2	4.5
S3844.AC0334	2.0	3.4	270°	Right	Asymmetric	5.2	4.5
S3844.AC0345	2.7	4.5	270°	Right	Asymmetric	5.2	4.5
S3844.AC1000	0.0	0.0	270°	Left	Symmetric	5.2	4.5
S3844.AC1009	0.9	0.9	270°	Left	Symmetric	5.2	4.5
S3844.AC1018	1.8	1.8	270°	Left	Symmetric	5.2	4.5
S3844.AC1023	2.3	2.3	270°	Left	Symmetric	5.2	4.5
S3844.AC1034	3.4	3.4	270°	Left	Symmetric	5.2	4.5
S3844.AC1223	2.3	1.4	270°	Left	Asymmetric	5.2	4.5
S3844.AC1234	3.4	2.0	270°	Left	Asymmetric	5.2	4.5
S3844.AC1245	4.5	2.7	270°	Left	Asymmetric	5.2	4.5
S3844.AC1323	1.4	2.3	270°	Left	Asymmetric	5.2	4.5
S3844.AC1334	2.0	3.4	270°	Left	Asymmetric	5.2	4.5
S3844.AC1345	2.7	4.5	270°	Left	-	5.2	4.5

Order No.	h <sub>1</sub>	h <sub>2</sub>	h <sub>3</sub>	l <sub>1</sub>	l <sub>2</sub>	l <sub>3</sub>	l <sub>4</sub>	l <sub>5</sub>	w <sub>1</sub>	w <sub>2</sub>	w <sub>3</sub>	w <sub>4</sub>
S3844.AC0000	25.58	19.5	12.7	80.8	67.4	50.8	34	10	12.7	6.35	4.5	4
S3844.AC0009	25.58	19.5	12.7	80.8	67.4	50.8	34	10	12.7	6.35	4.5	4
S3844.AC0018	25.58	19.5	12.7	80.8	67.4	50.8	34	10	12.7	6.35	4.5	4
S3844.AC0023	25.58	19.5	12.7	80.8	67.4	50.8	34	10	12.7	6.35	4.5	4
S3844.AC0034	25.58	19.5	12.7	80.8	67.4	50.8	34	10	12.7	6.35	4.5	4
S3844.AC0223	25.58	19.5	12.7	80.8	67.4	50.8	34	10	12.7	6.35	4.5	4



## Friction Hinges

symmetric - asymmetric torque - 0,0-4,5 Nm. - plain



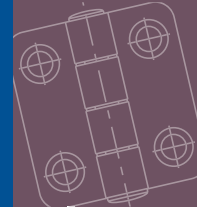
HINGES

Order No.	h <sub>1</sub>	h <sub>2</sub>	h <sub>3</sub>	l <sub>1</sub>	l <sub>2</sub>	l <sub>3</sub>	l <sub>4</sub>	l <sub>5</sub>	w <sub>1</sub>	w <sub>2</sub>	w <sub>3</sub>	w <sub>4</sub>
S3844.AC0234	25.58	19.5	12.7	80.8	67.4	50.8	34	10	12.7	6.35	4.5	4
S3844.AC0245	25.58	19.5	12.7	80.8	67.4	50.8	34	10	12.7	6.35	4.5	4
S3844.AC0323	25.58	19.5	12.7	80.8	67.4	50.8	34	10	12.7	6.35	4.5	4
S3844.AC0334	25.58	19.5	12.7	80.8	67.4	50.8	34	10	12.7	6.35	4.5	4
S3844.AC0345	25.58	19.5	12.7	80.8	67.4	50.8	34	10	12.7	6.35	4.5	4
S3844.AC1000	25.58	19.5	12.7	80.8	67.4	50.8	34	10	12.7	6.35	4.5	4
S3844.AC1009	25.58	19.5	12.7	80.8	67.4	50.8	34	10	12.7	6.35	4.5	4
S3844.AC1018	25.58	19.5	12.7	80.8	67.4	50.8	34	10	12.7	6.35	4.5	4
S3844.AC1023	25.58	19.5	12.7	80.8	67.4	50.8	34	10	12.7	6.35	4.5	4
S3844.AC1034	25.58	19.5	12.7	80.8	67.4	50.8	34	10	12.7	6.35	4.5	4
S3844.AC1223	25.58	19.5	12.7	80.8	67.4	50.8	34	10	12.7	6.35	4.5	4
S3844.AC1234	25.58	19.5	12.7	80.8	67.4	50.8	34	10	12.7	6.35	4.5	4
S3844.AC1245	25.58	19.5	12.7	80.8	67.4	50.8	34	10	12.7	6.35	4.5	4
S3844.AC1323	25.58	19.5	12.7	80.8	67.4	50.8	34	10	12.7	6.35	4.5	4
S3844.AC1334	25.58	19.5	12.7	80.8	67.4	50.8	34	10	12.7	6.35	4.5	4
S3844.AC1345	25.58	19.5	12.7	80.8	67.4	50.8	34	10	12.7	6.35	4.5	4

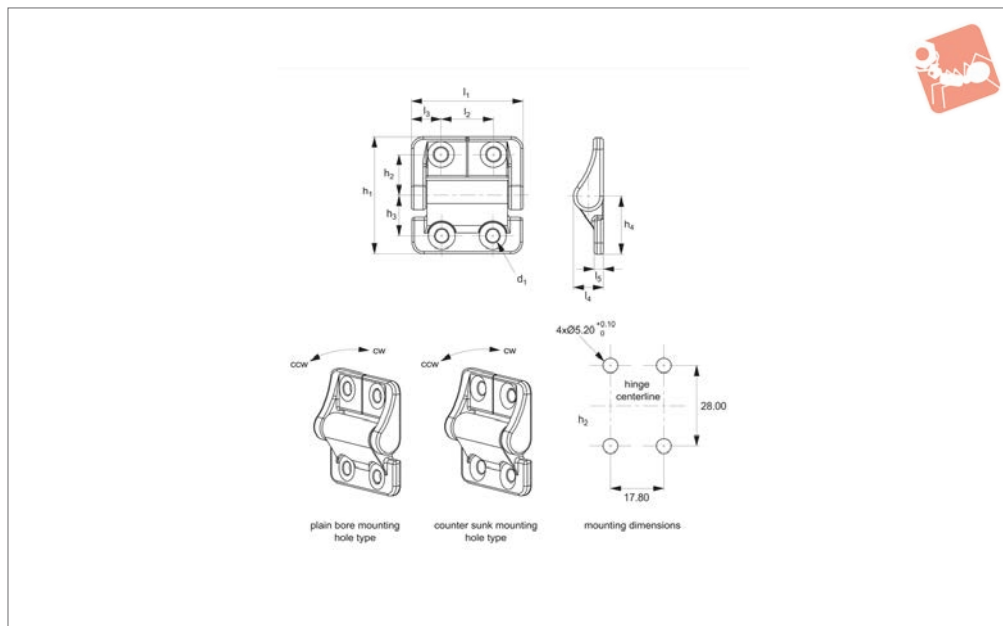


# Friction Hinges - Natural - Symmetric

asymmetric torque - countersunk & plain bore



## Hinges



## S3850

HINGES

### Material

Zinc alloy, steel, grease and o-ring with natural finish.

### Technical Notes

Tested to 25,000 cycles with static torque value remaining within +/- 20%. Oil ring seals against environmental contamination.

### Tips

For mounting and installation information refer to technical diagram.

Also available as black paint finish, see part S5852.

### Important Notes

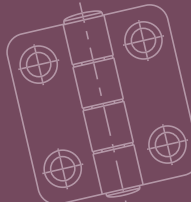
Symmetric hinges, offer same torque value in both clockwise and counterclockwise

directions. Asymmetric hinges, offer different torque value in clockwise and counterclockwise directions - see data table.

CW= clockwise.

CCW= counterclockwise.

Order No.	Torque CW Nm	Torque CCW Nm	Shaft rotation	Mounting hole	Torque type	d <sub>1</sub>	h <sub>1</sub>
S3850.AC0000	0.0	0.0	270°	Plain	Symmetric	4.5	40
S3850.AC0009	0.9	0.9	270°	Plain	Symmetric	4.5	40
S3850.AC0014	1.4	1.4	270°	Plain	Symmetric	4.5	40
S3850.AC0018	1.8	1.8	270°	Plain	Symmetric	4.5	40
S3850.AC0023	2.3	2.3	270°	Plain	Symmetric	4.5	40
S3850.AC0027	2.7	2.7	270°	Plain	Symmetric	4.5	40
S3850.AC0214	1.4	0.8	270°	Plain	Asymmetric	4.5	40
S3850.AC0218	1.8	1.1	270°	Plain	Asymmetric	4.5	40
S3850.AC0223	2.3	1.4	270°	Plain	Asymmetric	4.5	40
S3850.AC0227	2.7	1.6	270°	Plain	Asymmetric	4.5	40
S3850.AC0234	3.4	2.0	270°	Plain	Asymmetric	4.5	40
S3850.AC0314	0.8	1.4	270°	Plain	Asymmetric	4.5	40
S3850.AC0318	1.1	1.8	270°	Plain	Asymmetric	4.5	40
S3850.AC0323	1.4	2.3	270°	Plain	Asymmetric	4.5	40
S3850.AC0327	1.6	2.7	270°	Plain	Asymmetric	4.5	40
S3850.AC0334	2.0	3.4	270°	Plain	Asymmetric	4.5	40
S3850.AC1000	0.0	0.0	270°	C'sunk	Symmetric	4.5	40
S3850.AC1009	0.9	0.9	270°	C'sunk	Symmetric	4.5	40
S3850.AC1014	1.4	1.4	270°	C'sunk	Symmetric	4.5	40
S3850.AC1018	1.8	1.8	270°	C'sunk	Symmetric	4.5	40
S3850.AC1023	2.3	2.3	270°	C'sunk	Symmetric	4.5	40
S3850.AC1027	2.7	2.7	270°	C'sunk	Symmetric	4.5	40
S3850.AC1214	1.4	0.8	270°	C'sunk	Asymmetric	4.5	40
S3850.AC1218	1.8	1.1	270°	C'sunk	Asymmetric	4.5	40
S3850.AC1223	2.3	1.4	270°	C'sunk	Asymmetric	4.5	40
S3850.AC1227	2.7	1.6	270°	C'sunk	Asymmetric	4.5	40
S3850.AC1234	3.4	2.0	270°	C'sunk	Asymmetric	4.5	40
S3850.AC1314	0.8	1.4	270°	C'sunk	Asymmetric	4.5	40
S3850.AC1318	1.1	1.8	270°	C'sunk	Asymmetric	4.5	40



Order No.	Torque CW Nm	Torque CCW Nm	Shaft rotation	Mounting hole	Torque type	d <sub>1</sub>	h <sub>1</sub>
S3850.AC1323	1.4	2.3	270°	C'sunk	Asymmetric	4.5	40
S3850.AC1327	1.6	2.7	270°	C'sunk	Asymmetric	4.5	40
S3850.AC1334	2.0	3.4	270°	C'sunk	Asymmetric	4.5	40

Order No.	h <sub>2</sub>	h <sub>3</sub>	h <sub>4</sub>	l <sub>1</sub>	l <sub>2</sub>	l <sub>3</sub>	l <sub>4</sub>	l <sub>5</sub>
S3850.AC0000	14	14	20	38	17.8	10.1	10	3
S3850.AC0009	14	14	20	38	17.8	10.1	10	3
S3850.AC0014	14	14	20	38	17.8	10.1	10	3
S3850.AC0018	14	14	20	38	17.8	10.1	10	3
S3850.AC0023	14	14	20	38	17.8	10.1	10	3
S3850.AC0027	14	14	20	38	17.8	10.1	10	3
S3850.AC0214	14	14	20	38	17.8	10.1	10	3
S3850.AC0218	14	14	20	38	17.8	10.1	10	3
S3850.AC0223	14	14	20	38	17.8	10.1	10	3
S3850.AC0227	14	14	20	38	17.8	10.1	10	3
S3850.AC0234	14	14	20	38	17.8	10.1	10	3
S3850.AC0314	14	14	20	38	17.8	10.1	10	3
S3850.AC0318	14	14	20	38	17.8	10.1	10	3
S3850.AC0323	14	14	20	38	17.8	10.1	10	3
S3850.AC0327	14	14	20	38	17.8	10.1	10	3
S3850.AC0334	14	14	20	38	17.8	10.1	10	3
S3850.AC1000	14	14	20	38	17.8	10.1	10	3
S3850.AC1009	14	14	20	38	17.8	10.1	10	3
S3850.AC1014	14	14	20	38	17.8	10.1	10	3
S3850.AC1018	14	14	20	38	17.8	10.1	10	3
S3850.AC1023	14	14	20	38	17.8	10.1	10	3
S3850.AC1027	14	14	20	38	17.8	10.1	10	3
S3850.AC1214	14	14	20	38	17.8	10.1	10	3
S3850.AC1218	14	14	20	38	17.8	10.1	10	3
S3850.AC1223	14	14	20	38	17.8	10.1	10	3
S3850.AC1227	14	14	20	38	17.8	10.1	10	3
S3850.AC1234	14	14	20	38	17.8	10.1	10	3
S3850.AC1314	14	14	20	38	17.8	10.1	10	3
S3850.AC1318	14	14	20	38	17.8	10.1	10	3
S3850.AC1323	14	14	20	38	17.8	10.1	10	3
S3850.AC1327	14	14	20	38	17.8	10.1	10	3
S3850.AC1334	14	14	20	38	17.8	10.1	10	3



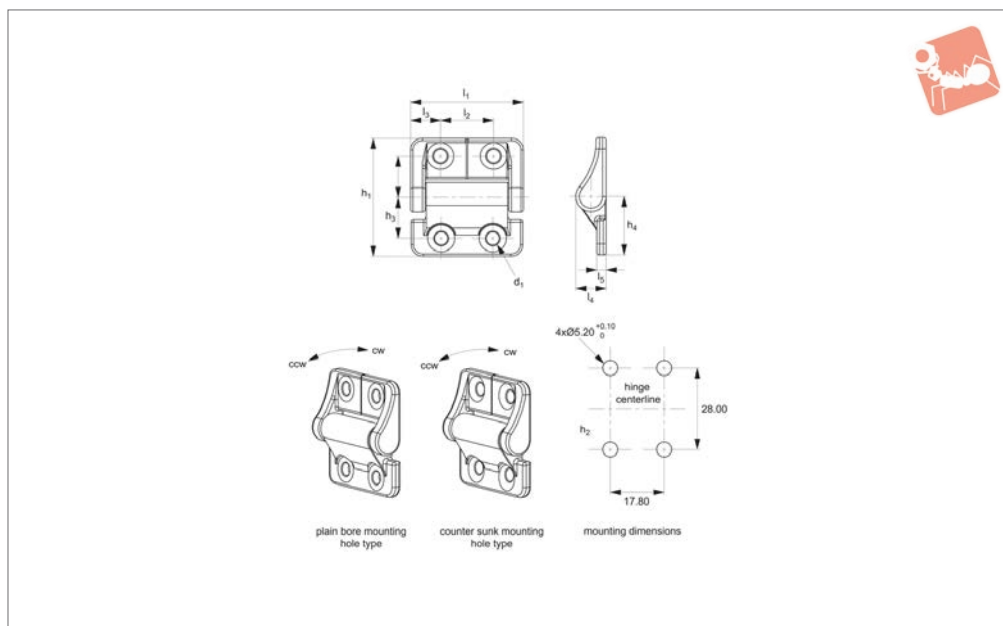


# Friction Hinges - Black

symmetric - asymmetric torque - 0,0-3,5 Nm. -



## Hinges



**S3852**

HINGES

### Material

Zinc alloy, steel, grease and o-ring with black paint finish.

### Technical Notes

Tested to 25,000 cycles with static torque value remaining within +/- 20%. Oil ring seals against environmental contamina-

tion.

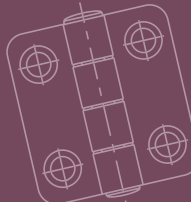
### Tips

For mounting and installation information refer to technical diagram. Also available as natural finish see part S3850.

### Important Notes

Symmetric hinges, offer same torque value in both clockwise and counterclockwise directions. Asymmetric hinges, offer different torque value in clockwise and counterclockwise directions - see data table. CW= clockwise.

Order No.	Torque CW Nm	Torque CCW Nm	Shaft rotation	Mounting hole	Torque type
S3852.AC0000	0.0	0.0	270°	Plain	Symmetric
S3852.AC0009	0.9	0.9	270°	Plain	Symmetric
S3852.AC0014	1.4	1.4	270°	Plain	Symmetric
S3852.AC0018	1.8	1.8	270°	Plain	Symmetric
S3852.AC0023	2.3	2.3	270°	Plain	Symmetric
S3852.AC0027	2.7	2.7	270°	Plain	Symmetric
S3852.AC0214	1.4	0.8	270°	Plain	Asymmetric
S3852.AC0218	1.8	1.1	270°	Plain	Asymmetric
S3852.AC0223	2.3	1.4	270°	Plain	Asymmetric
S3852.AC0227	2.7	1.6	270°	Plain	Asymmetric
S3852.AC0234	3.4	2.0	270°	Plain	Asymmetric
S3852.AC0314	0.8	1.4	270°	Plain	Asymmetric
S3852.AC0318	1.1	1.8	270°	Plain	Asymmetric
S3852.AC0323	1.4	2.3	270°	Plain	Asymmetric
S3852.AC0327	1.6	2.7	270°	Plain	Asymmetric
S3852.AC0334	2.0	3.4	270°	Plain	Asymmetric
S3852.AC1000	0.0	0.0	270°	C'sunk	Symmetric
S3852.AC1009	0.9	0.9	270°	C'sunk	Symmetric
S3852.AC1014	1.4	1.4	270°	C'sunk	Symmetric
S3852.AC1018	1.8	1.8	270°	C'sunk	Symmetric
S3852.AC1023	2.3	2.3	270°	C'sunk	Symmetric
S3852.AC1027	2.7	2.7	270°	C'sunk	Symmetric
S3852.AC1214	1.4	0.8	270°	C'sunk	Asymmetric
S3852.AC1218	1.8	1.1	270°	C'sunk	Asymmetric
S3852.AC1223	2.3	1.4	270°	C'sunk	Asymmetric
S3852.AC1227	2.7	1.6	270°	C'sunk	Asymmetric
S3852.AC1234	3.4	2.0	270°	C'sunk	Asymmetric
S3852.AC1314	0.8	1.4	270°	C'sunk	Asymmetric
S3852.AC1318	1.1	1.8	270°	C'sunk	Asymmetric
S3852.AC1323	1.4	2.3	270°	C'sunk	Asymmetric



Order No.	Torque CW Nm	Torque CCW Nm	Shaft rotation	Mounting hole	Torque type
S3852.AC1327	1.6	2.7	270°	C'sunk	Asymmetric
S3852.AC1334	2.0	3.4	270°	C'sunk	Asymmetric

HINGES

Order No.	d <sub>1</sub>	h <sub>1</sub>	h <sub>2</sub>	h <sub>3</sub>	h <sub>4</sub>	l <sub>1</sub>	l <sub>2</sub>	l <sub>3</sub>	l <sub>4</sub>	l <sub>5</sub>
S3852.AC0000	4.5	40	14	14	20	38	17.8	10.1	10	3
S3852.AC0009	4.5	40	14	14	20	38	17.8	10.1	10	3
S3852.AC0014	4.5	40	14	14	20	38	17.8	10.1	10	3
S3852.AC0018	4.5	40	14	14	20	38	17.8	10.1	10	3
S3852.AC0023	4.5	40	14	14	20	38	17.8	10.1	10	3
S3852.AC0027	4.5	40	14	14	20	38	17.8	10.1	10	3
S3852.AC0214	4.5	40	14	14	20	38	17.8	10.1	10	3
S3852.AC0218	4.5	40	14	14	20	38	17.8	10.1	10	3
S3852.AC0223	4.5	40	14	14	20	38	17.8	10.1	10	3
S3852.AC0227	4.5	40	14	14	20	38	17.8	10.1	10	3
S3852.AC0234	4.5	40	14	14	20	38	17.8	10.1	10	3
S3852.AC0314	4.5	40	14	14	20	38	17.8	10.1	10	3
S3852.AC0318	4.5	40	14	14	20	38	17.8	10.1	10	3
S3852.AC0323	4.5	40	14	14	20	38	17.8	10.1	10	3
S3852.AC0327	4.5	40	14	14	20	38	17.8	10.1	10	3
S3852.AC0334	4.5	40	14	14	20	38	17.8	10.1	10	3
S3852.AC1000	4.5	40	14	14	20	38	17.8	10.1	10	3
S3852.AC1009	4.5	40	14	14	20	38	17.8	10.1	10	3
S3852.AC1014	4.5	40	14	14	20	38	17.8	10.1	10	3
S3852.AC1018	4.5	40	14	14	20	38	17.8	10.1	10	3
S3852.AC1023	4.5	40	14	14	20	38	17.8	10.1	10	3
S3852.AC1027	4.5	40	14	14	20	38	17.8	10.1	10	3
S3852.AC1214	4.5	40	14	14	20	38	17.8	10.1	10	3
S3852.AC1218	4.5	40	14	14	20	38	17.8	10.1	10	3
S3852.AC1223	4.5	40	14	14	20	38	17.8	10.1	10	3
S3852.AC1227	4.5	40	14	14	20	38	17.8	10.1	10	3
S3852.AC1234	4.5	40	14	14	20	38	17.8	10.1	10	3
S3852.AC1314	4.5	40	14	14	20	38	17.8	10.1	10	3
S3852.AC1318	4.5	40	14	14	20	38	17.8	10.1	10	3
S3852.AC1323	4.5	40	14	14	20	38	17.8	10.1	10	3
S3852.AC1327	4.5	40	14	14	20	38	17.8	10.1	10	3
S3852.AC1334	4.5	40	14	14	20	38	17.8	10.1	10	3

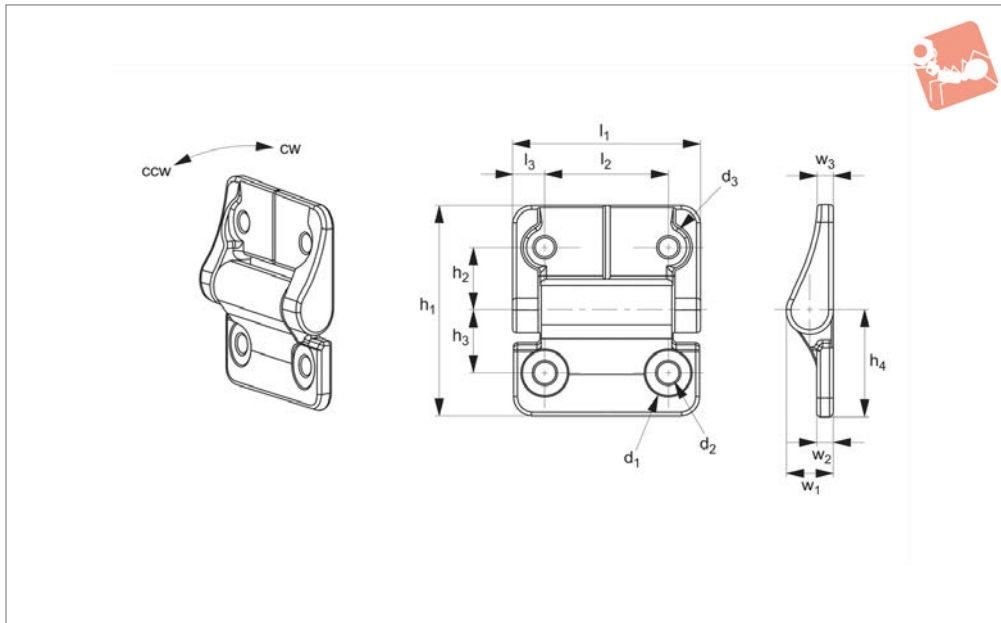


# Friction Hinges - Natural & Black

symmetric - asymmetric torque



## Hinges



### S3854

HINGES

#### Material

Steel and zinc with natural or black oxide finish.

#### Technical Notes

Tested to 25,000 cycles with static torque value remaining within +/- 20%. Oil ring

seals against environmental contamination.

#### Important Notes

Symmetric hinges, offer same torque value in both clockwise and counterclockwise directions. Asymmetric hinges, offer diffe-

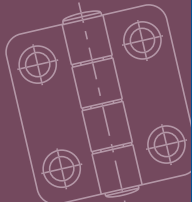
rent torque value in clockwise and counterclockwise directions - see data table.

CW= clockwise.

CCW= counterclockwise.

Order No.	Torque CW Nm	Torque CCW Nm	Shaft rotation	Finish	Torque type	d <sub>1</sub>	d <sub>2</sub>	d <sub>3</sub>
S3854.AC0000	0.0	0.0	270°	Natural	Symmetric	Ø12x0,7 dept.	5.2	10
S3854.AC0009	0.9	0.9	270°	Natural	Symmetric	Ø12x0,7 dept.	5.2	10
S3854.AC0018	1.8	1.8	270°	Natural	Symmetric	Ø12x0,7 dept.	5.2	10
S3854.AC0023	2.3	2.3	270°	Natural	Symmetric	Ø12x0,7 dept.	5.2	10
S3854.AC0034	3.4	3.4	270°	Natural	Symmetric	Ø12x0,7 dept.	5.2	10
S3854.AC0223	2.3	1.4	270°	Natural	Asymmetric	Ø12x0,7 dept.	5.2	10
S3854.AC0234	3.4	2.0	270°	Natural	Asymmetric	Ø12x0,7 dept.	5.2	10
S3854.AC0327	4.5	2.7	270°	Natural	Asymmetric	Ø12x0,7 dept.	5.2	10
S3854.AC0323	1.4	2.3	270°	Natural	Asymmetric	Ø12x0,7 dept.	5.2	10
S3854.AC0334	2.0	3.4	270°	Natural	Asymmetric	Ø12x0,7 dept.	5.2	10
S3854.AC0345	2.7	4.5	270°	Natural	Asymmetric	Ø12x0,7 dept.	5.2	10
S3854.AC1000	0.0	0.0	270°	Black paint	Symmetric	Ø12x0,7 dept.	5.2	10
S3854.AC1009	0.9	0.9	270°	Black paint	Symmetric	Ø12x0,7 dept.	5.2	10
S3854.AC1018	1.8	1.8	270°	Black paint	Symmetric	Ø12x0,7 dept.	5.2	10
S3854.AC1023	2.3	2.3	270°	Black paint	Symmetric	Ø12x0,7 dept.	5.2	10
S3854.AC1034	3.4	3.4	270°	Black paint	Symmetric	Ø12x0,7 dept.	5.2	10
S3854.AC1223	2.3	1.4	270°	Black paint	Asymmetric	Ø12x0,7 dept.	5.2	10
S3854.AC1234	3.4	2.0	270°	Black paint	Asymmetric	Ø12x0,7 dept.	5.2	10
S3854.AC1327	4.5	2.7	270°	Black paint	Asymmetric	Ø12x0,7 dept.	5.2	10
S3854.AC1323	1.4	2.3	270°	Black paint	Asymmetric	Ø12x0,7 dept.	5.2	10
S3854.AC1334	2.0	3.4	270°	Black paint	Asymmetric	Ø12x0,7 dept.	5.2	10
S3854.AC1345	2.7	4.5	270°	Black paint	Asymmetric	Ø12x0,7 dept.	5.2	10

Order No.	h <sub>1</sub>	h <sub>2</sub>	h <sub>3</sub>	h <sub>4</sub>	l <sub>1</sub>	l <sub>2</sub>	l <sub>3</sub>	w <sub>1</sub>	w <sub>2</sub>	w <sub>3</sub>
S3854.AC0000	57.15	17	17	28.58	50.8	34	8.4	12.8	4.5	3.81
S3854.AC0009	57.15	17	17	28.58	50.8	34	8.4	12.8	4.5	3.81
S3854.AC0018	57.15	17	17	28.58	50.8	34	8.4	12.8	4.5	3.81
S3854.AC0023	57.15	17	17	28.58	50.8	34	8.4	12.8	4.5	3.81
S3854.AC0034	57.15	17	17	28.58	50.8	34	8.4	12.8	4.5	3.81
S3854.AC0223	57.15	17	17	28.58	50.8	34	8.4	12.8	4.5	3.81
S3854.AC0234	57.15	17	17	28.58	50.8	34	8.4	12.8	4.5	3.81

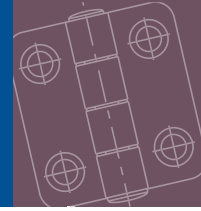


Order No.	$h_1$	$h_2$	$h_3$	$h_4$	$l_1$	$l_2$	$l_3$	$w_1$	$w_2$	$w_3$
S3854.AC0327	57.15	17	17	28.58	50.8	34	8.4	12.8	4.5	3.81
S3854.AC0323	57.15	17	17	28.58	50.8	34	8.4	12.8	4.5	3.81
S3854.AC0334	57.15	17	17	28.58	50.8	34	8.4	12.8	4.5	3.81
S3854.AC0345	57.15	17	17	28.58	50.8	34	8.4	12.8	4.5	3.81
S3854.AC1000	57.15	17	17	28.58	50.8	34	8.4	12.8	4.5	3.81
S3854.AC1009	57.15	17	17	28.58	50.8	34	8.4	12.8	4.5	3.81
S3854.AC1018	57.15	17	17	28.58	50.8	34	8.4	12.8	4.5	3.81
S3854.AC1023	57.15	17	17	28.58	50.8	34	8.4	12.8	4.5	3.81
S3854.AC1034	57.15	17	17	28.58	50.8	34	8.4	12.8	4.5	3.81
S3854.AC1223	57.15	17	17	28.58	50.8	34	8.4	12.8	4.5	3.81
S3854.AC1234	57.15	17	17	28.58	50.8	34	8.4	12.8	4.5	3.81
S3854.AC1327	57.15	17	17	28.58	50.8	34	8.4	12.8	4.5	3.81
S3854.AC1323	57.15	17	17	28.58	50.8	34	8.4	12.8	4.5	3.81
S3854.AC1334	57.15	17	17	28.58	50.8	34	8.4	12.8	4.5	3.81
S3854.AC1345	57.15	17	17	28.58	50.8	34	8.4	12.8	4.5	3.81

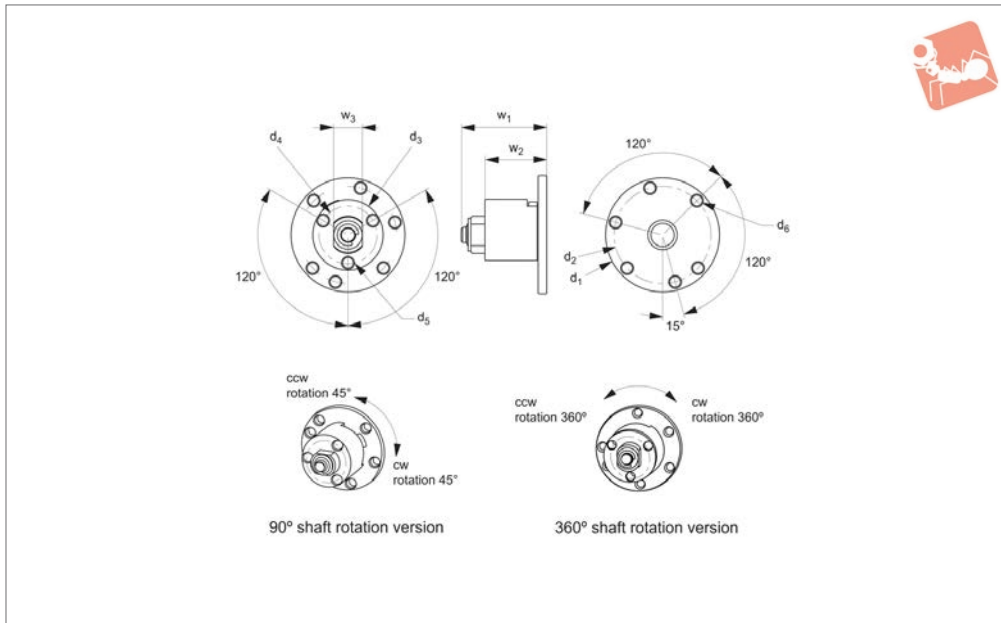


# Friction Hinges

symmetric torque - 2,5-5,0 Nm.



## Hinges



### S3870

HINGES

#### Material

Steel with nickel plating finish.

value remaining within +/- 25%.

CW= clockwise.

CCW= counterclockwise.

#### Technical Notes

Tested to 10,000 cycles with static torque

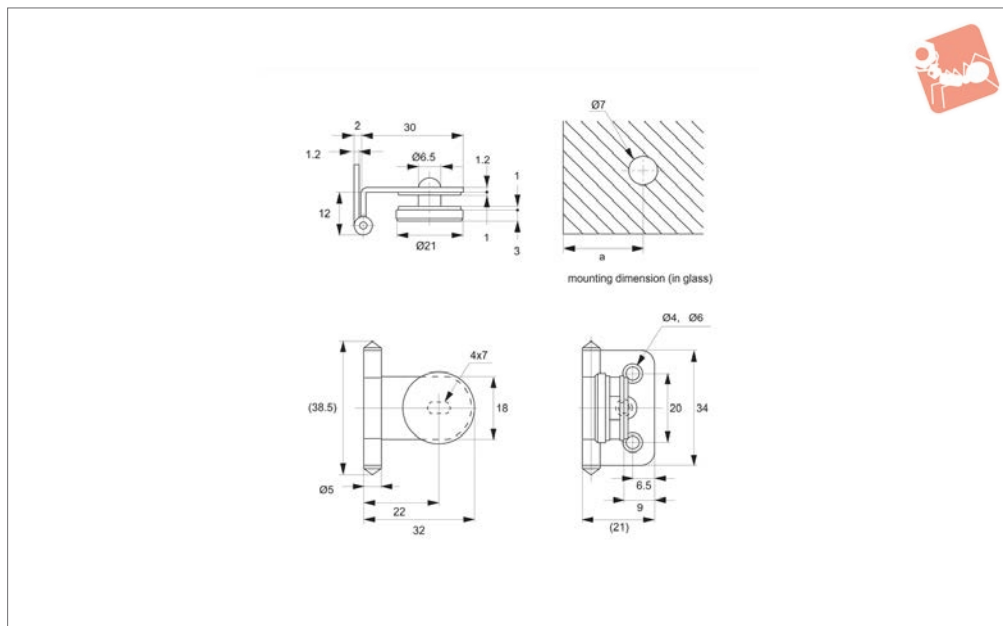
#### Important Notes

Symmetric, offer same torque value in both clockwise and counterclockwise directions.

Order No.	Torque Nm	Shaft rotation	Torque type	d <sub>1</sub>	d <sub>2</sub>	d <sub>3</sub>	d <sub>4</sub>	d <sub>5</sub>	d <sub>6</sub>	w <sub>1</sub>	w <sub>2</sub>	w <sub>3</sub> thru
S3870.AC0025	2.5	90°	Symmetric	32.1	27	20	16	M 3x0,50	M 3x0,50	23.7	17	8
S3870.AC0030	3.0	90°	Symmetric	32.1	27	20	16	M 3x0,50	M 3x0,50	23.7	17	8
S3870.AC0040	4.0	90°	Symmetric	32.1	27	20	16	M 3x0,50	M 3x0,50	23.7	17	8
S3870.AC0050	5.0	90°	Symmetric	32.1	27	20	16	M 3x0,50	M 3x0,50	23.7	17	8
S3870.AC0125	2.5	360°	Symmetric	32.1	27	20	16	M 3x0,50	M 3x0,50	23.7	17	8
S3870.AC0130	3.0	360°	Symmetric	32.1	27	20	16	M 3x0,50	M 3x0,50	23.7	17	8
S3870.AC0140	4.0	360°	Symmetric	32.1	27	20	16	M 3x0,50	M 3x0,50	23.7	17	8
S3870.AC0150	5.0	360°	Symmetric	32.1	27	20	16	M 3x0,50	M 3x0,50	23.7	17	8



**T2000**



**Material**

Hinge: stainless steel, AISI 304, polished.  
Cover: aluminium, alumite.

**Technical Notes**

For door thickness 4 to 6mm. For installation dimensions see table below.  
a = distance of mounting holes from glass

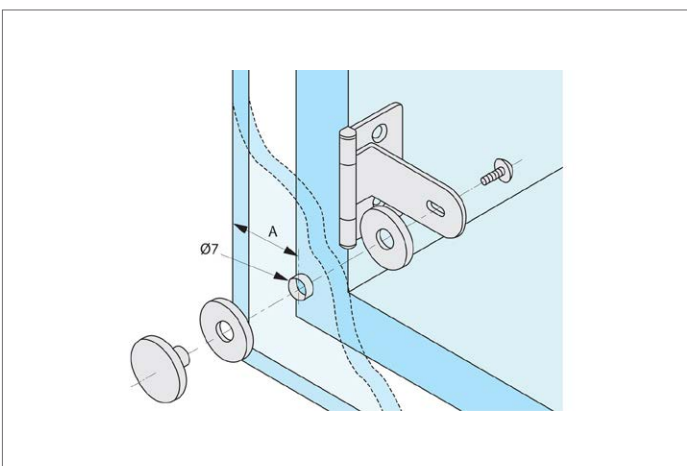
edge, to ensure smooth door opening. Please note, you will need to drill holes in the glass in order to fit these hinges.

**Tips**  
Screws are not included.

**Important Notes**

For glass thickness:  
4mm; a = 19  
5mm; a = 18  
6mm; a = 17

Order No.	Glass thickness mm	Load capacity 2 hinges kg	Weight g
T2000.AC0010	4 to 6	4	15



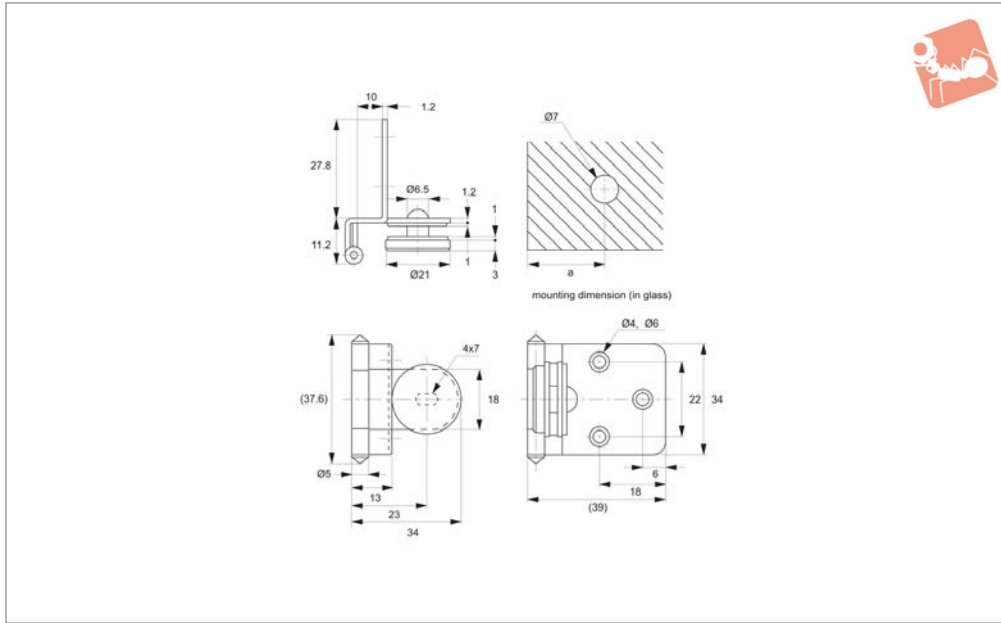


# Glass Door Hinges - Half Overlay Type

stainless steel



## Hinges



## T2020

HINGES

### Material

Hinge: stainless steel, AISI 304, polished.  
Cover: aluminium, alumite.

### Technical Notes

For door thickness 4 to 6mm. For installation dimensions see table below.

a = distance of mounting holes from glass edge, to ensure smooth door opening. Please note, you will need to drill holes in the glass in order to fit these hinges.

### Tips

**Screws are not included.**

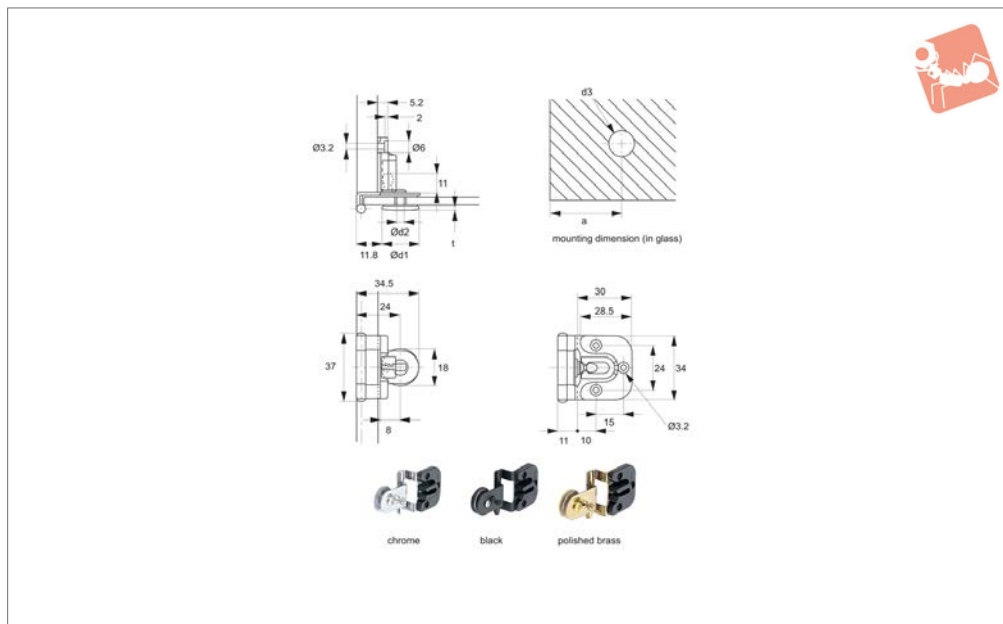
### Important Notes

For glass thickness:  
4mm; a = 19, overlay = 8  
5mm; a = 18, overlay = 7  
6mm; a = 17, overlay = 7

Order No.	Glass thickness mm	Load capacity 2 hinges kg	Weight g
T2020.AC0010	4 to 6	4	21



## T2040



### Material

Hinge: steel or stainless steel, AISI 304, with ABS plastic body. Refer to table for plating finish.

### Technical Notes

For door thickness 4 to 6mm.  
 Max. door size - 450w x 700h x 5mm thick.  
 Max. door weight - 4Kg per hinge pair.

For installation dimensions see table below.

a = distance of mounting holes from glass edge, to ensure smooth door opening.  
 Plastic body of hinge forms a mechanical catch to hold door in closed position.  
 Please note, you will need to drill holes in the glass in order to fit these hinges.

### Tips

**Screws are not included.**

### Important Notes

For glass thickness:  
 4mm; a = 19, overlay = 8  
 5mm; a = 18, overlay = 7  
 6mm; a = 18, overlay = 6

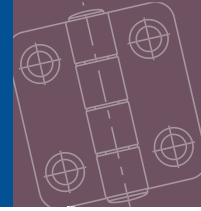
Order No.	Glass thickness mm	Finish	Load capacity 2 hinges kg	Body type	d <sub>1</sub>	d <sub>2</sub>	d <sub>3</sub>	t	Screw	Weight g
T2040.AC0020	4 to 6	Chrome	4	Steel	20	6.5	7.0	2	M 3,5 x 6	36
T2040.AC0030	4 to 6	Brass	4	Steel	20	6.5	7.0	2	M 3,5 x 6	36
T2040.AC0040	4 to 6	Black	4	Stainless	21	8.0	8.5	3	M 3,0 x 6	32



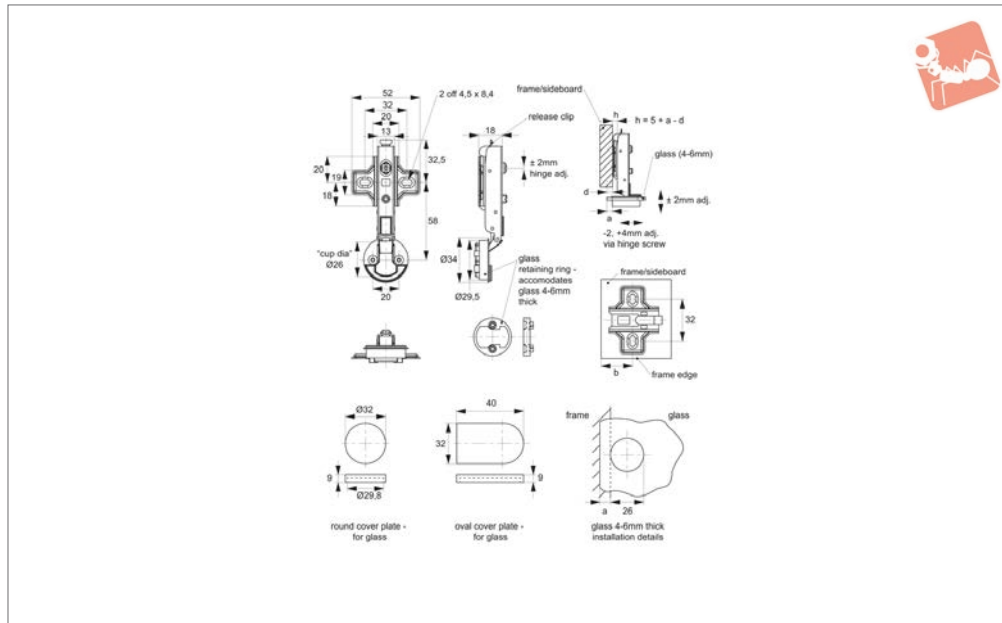


# Glass Door Hinges - Size 26

inset type - half overlay type - 110° opening - soft



Hinges



**T2104**

HINGES

## Material

Hinge arm: steel, zinc plated, with plastic glass retaining ring.

Hinge mounting plate: steel, zinc plated.

Cover plate for glass: ABS plastic, metal coated.

Cover plate for hinge arm and mounting plate: ABC plastic, chrome plated.

Supplied (per hinge): - 1 x hinge arm. 1 x mounting plate (self-tap screw fixing). 1 x

mounting plate (euro screw fixing). 1 x cover plate for glass (round). 1 x cover plate for glass (oval). 1 x cover plate for arm hinge and mounting plate. 2 x wood screw (4 x 16). 2 x euro screw (6.3 x 16).

## Technical Notes

Supplied as single hinge. incorporated into the hinge is a hydraulic based „soft close“ device to assist in

controlled closing of door.

Installation notes:

Hinge-on-plate mounting system; plate easily fastened to wooden frame using self-tapping screw (supplied). Requires 26 mm dia. cut out glass for mounting of hinge to glass door - please see installation diagram for details. Hinge is „clip-on“, quick mount/dismount to the mounting plate.

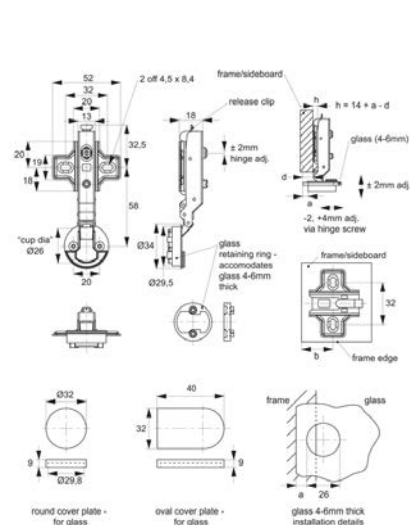
Order No.	Glass thickness mm	Finish	Size
<b>T2104.AW0010</b>	4 to 6	Chrome	25
<b>T2104.AW0020</b>	4 to 6	Gold	25



HINGES



### T2106



#### Material

Hinge arm: steel, zinc plate, with plastic glass retaining ring.  
 Hinge mounting plate: steel, zinc plated.  
 Cover plate for glass: ABS plastic, metal coated.  
 Cover plate for hinge arm and mounting plate: ABC plastic, chrome plated.  
 Supplied (per hinge): - 1 x hinge arm. 1 x mounting plate (self-tap screw fixing). 1 x

mounting plate (euro screw fixing). 1 x cover plate for glass (round). 1 x cover plate for glass (oval). 1 x cover plate for arm hinge and mounting plate. 2 x wood screw (4 x 16). 2 x euro screw (6.3 x 16).

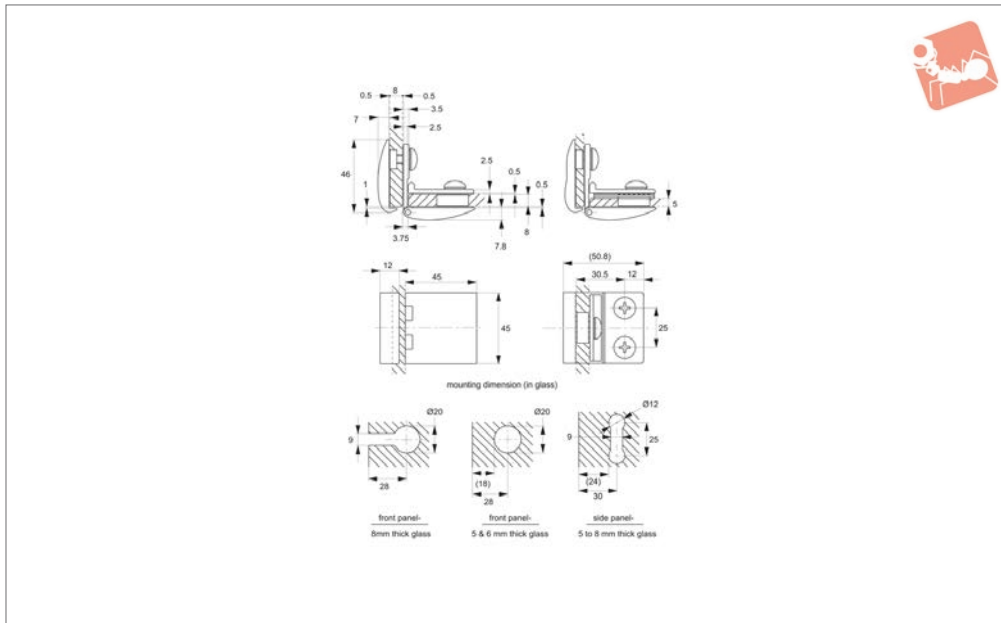
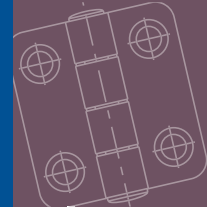
#### Technical Notes

Supplied as single hinge.  
 Incorporated into the hinge is a hydraulic based „soft close“ device to assist in

controlled closing of door.

Installation notes:  
 Hinge-on-plate mounting system; plate easily fastened to wooden frame using self-tapping screws or eurp screw (supplied). Requires 26 mm dia. cut-out glass for mounting of hinge to glass door - please see installation diagram for details. Hinge is „clip-on“, quick mount/dismount to the mounting plate.

Order No.	Glass thickness mm	Finish	Size
T2106.AW0010	4 to 6	Chrome	25
T2106.AW0020	4 to 6	Gold	25



### T2200

HINGES

#### Material

Hinge body: brass, in nickel, chrome or gold finish.  
 Glass adj. roller: polyamide, black.  
 Bushes & spacers: rubber, black.

#### Technical Notes

For door thickness 5 to 8mm. Horizontally

adjustable by 2,5mm.

Max. door size-  
 600w x 700h x 8mm thick  
 Max. door weight-  
 15Kg per hinge pair.

Please note, you will need to drill holes in the glass in order to fit these hinges.

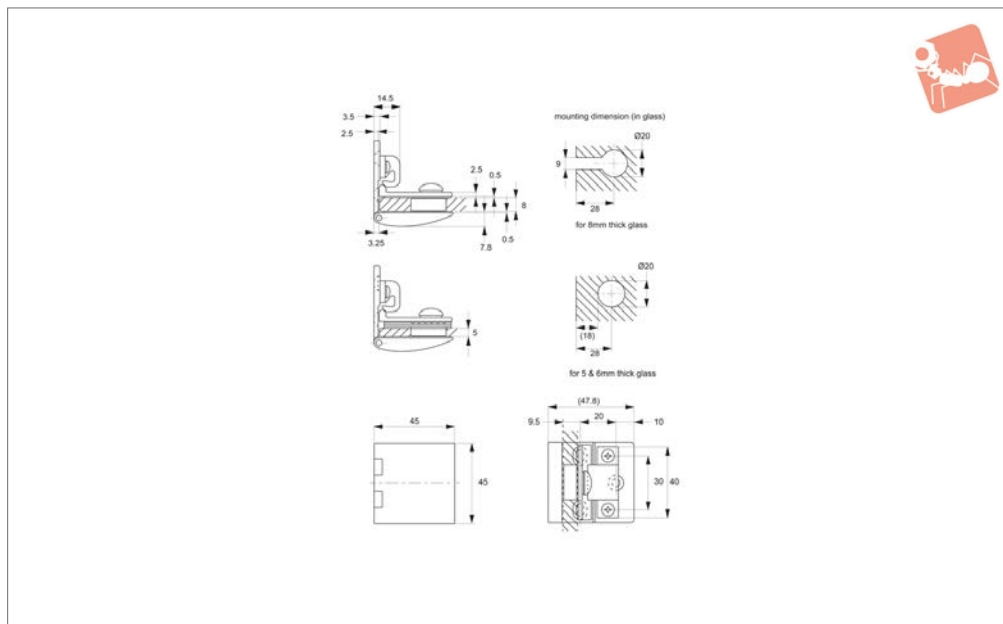
#### Important Notes

Spacers are supplied to accommodate different glass door thicknesses;  
 5mm glass use 3 spacers  
 6mm glass use 2 spacers  
 8mm glass no spacers required.

Order No.	Glass thickness mm	Finish	Load capacity 2 hinges kg
T2200.AC0010	5 to 8	Satin Nickel	15
T2200.AC0020	5 to 8	Chrome	15
T2200.AC0030	5 to 8	Gold	15



## T2220



### Material

Hinge body: brass, in nickel, chrome or gold finish.

Glass adj. roller: polyamide, black.

Bushes & spacers: rubber, black.

### Technical Notes

For door thickness 5 to 8mm. Horizontally adjustable by 2,5mm, vertical adjustment

2mm.

Max. door size-  
600w x 700h x 8 mm thick

Max. door weight-  
15Kg per hinge pair.

Plastic body of hinge forms a mechanical catch to hold panel/door in closed position.

Please note, you will need to drill holes in the glass in order to fit these hinges.

### Important Notes

Spacers are supplied to accommodate different glass door thicknesses;  
5mm glass use 3 spacers  
6mm glass use 2 spacers  
8mm glass no spacers required.

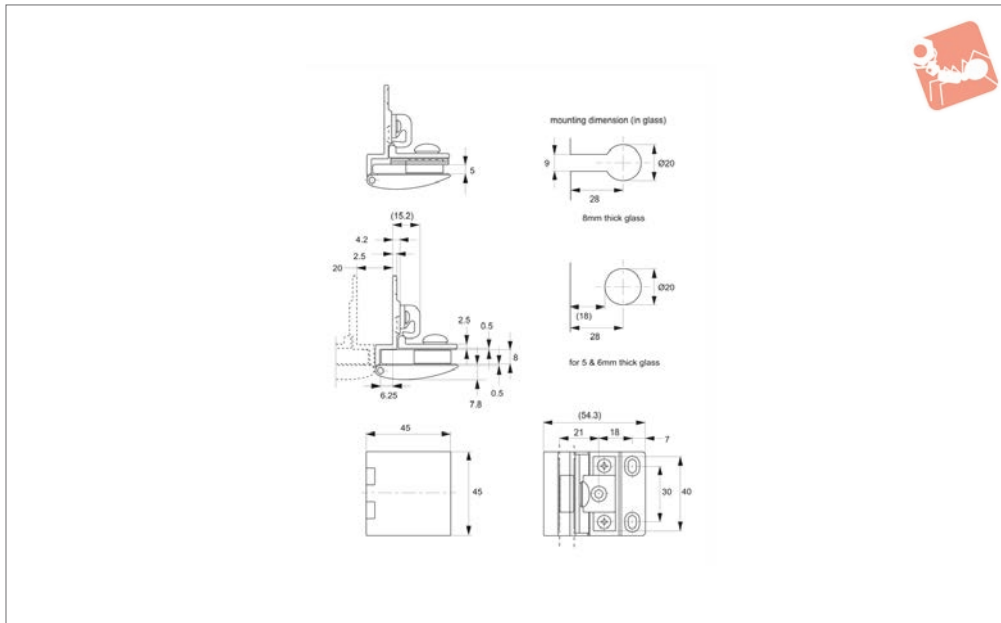
Order No.	Glass thickness mm	Finish	Load capacity 2 hinges kg
T2220.AC0010	5 to 8	Satin Nickel	15
T2220.AC0020	5 to 8	Chrome	15
T2220.AC0030	5 to 8	Gold	15



# Glass Door Hinges - Overlay Type with catch



Hinges



**T2240**

HINGES

**Material**

Hinge body: brass, in nickel, chrome or gold finish.  
Glass adj. roller: polyamide, black.  
Bushes & spacers: rubber, black.

**Technical Notes**

6mm overlay. For door thickness 5 to 8mm.  
Horizontally adjustable by 2,5mm, vertical

adjustment 2mm.

Max. door size - 600w x 700h x 8mm thick.  
Max. door weight - 15Kg per hinge pair.  
Plastic body of hinge forms a mechanical catch to hold panel/door in closed position.  
Please note, you will need to drill holes in the glass in order to fit these hinges.

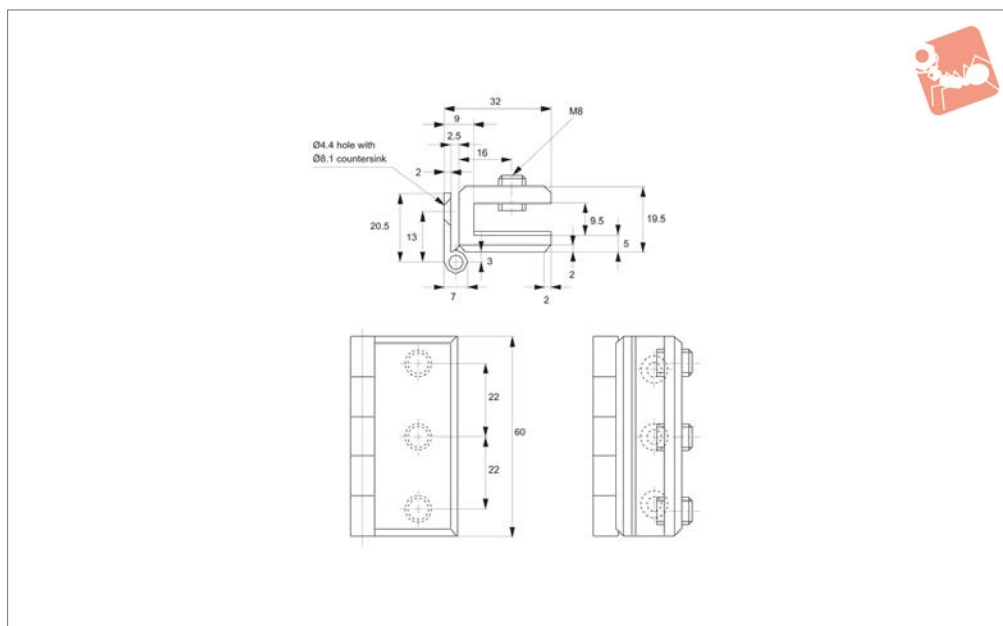
**Important Notes**

Spacers are supplied to accommodate different glass door thicknesses;  
5mm glass use 3 spacers  
6mm glass use 2 spacers  
8mm glass no spacers required.

Order No.	Glass thickness mm	Finish	Load capacity 2 hinges kg
T2240.AC0010	5 to 8	Satin Nickel	15
T2240.AC0020	5 to 8	Chrome	15
T2240.AC0030	5 to 8	Gold	15



**T2260**



**Material**

Body: stainless steel, AISI 304, polished

**Max. door size-**

450w x 1300h x 8mm thick.

Three grub screws hold and clamp glass in place.

**Technical Notes**

For door thicknesses 4 to 8mm.

**Important Notes**

No holes required in glass for installation.

**Order No.**

T2260.AC0010

**Glass thickness**  
mm

4 to 8

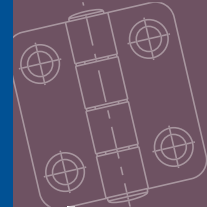
**Finish**

Stainless

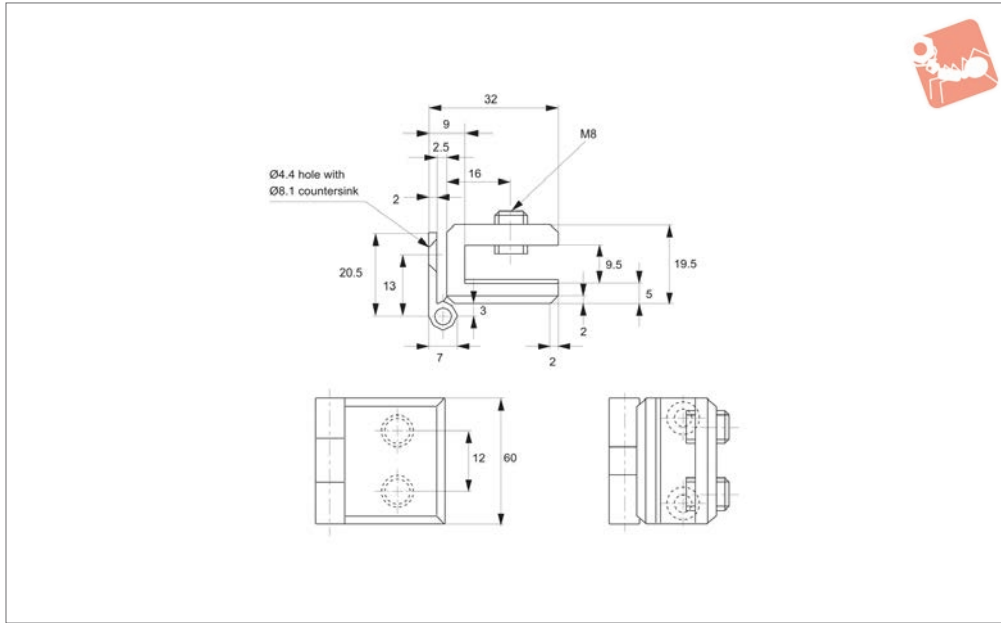


# Glass Door Hinges - Set Screw Mount

stainless steel



## Hinges



### T2280

HINGES

#### Material

Body: stainless steel, AISI 304, polished

Max. door size - 400w x 600h x 8mm thick.

place.

#### Technical Notes

For door thicknesses 4 to 8mm.

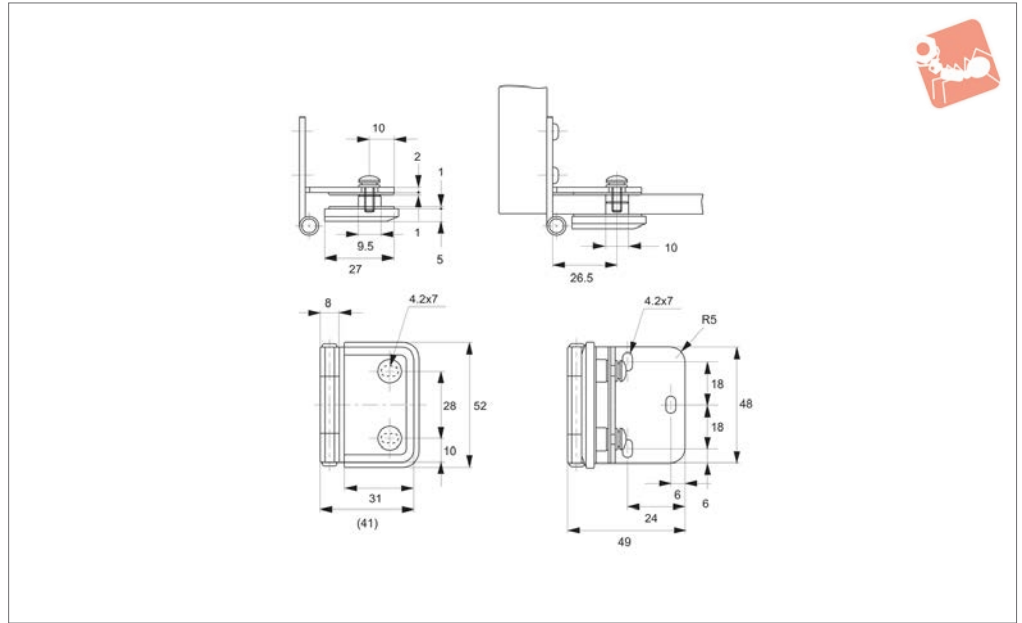
#### Important Notes

No holes required in glass for installation.  
Three grub screws hold and clamp glass in

Order No.	Glass thickness mm	Finish
T2280.AC0010	4 to 8	Stainless



**T2300**



**Material**

Hinge body: stainless steel, AISI 304, polished.  
Cover plate: zinc alloy, chrome plated.

**Technical Notes**

For door thicknesses 5 to 8mm.  
Max. door size - 650w x 700h x 8mm thick.  
Max. door weight - 12Kg per hinge pair.

Please note, you will need to drill holes in the glass in order to fit these hinges.

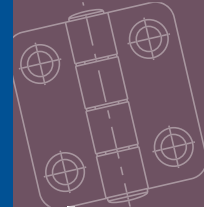
Order No.	Glass thickness mm	Finish	Load capacity kg
T2300.AC0010	5 to 8	Stainless	12



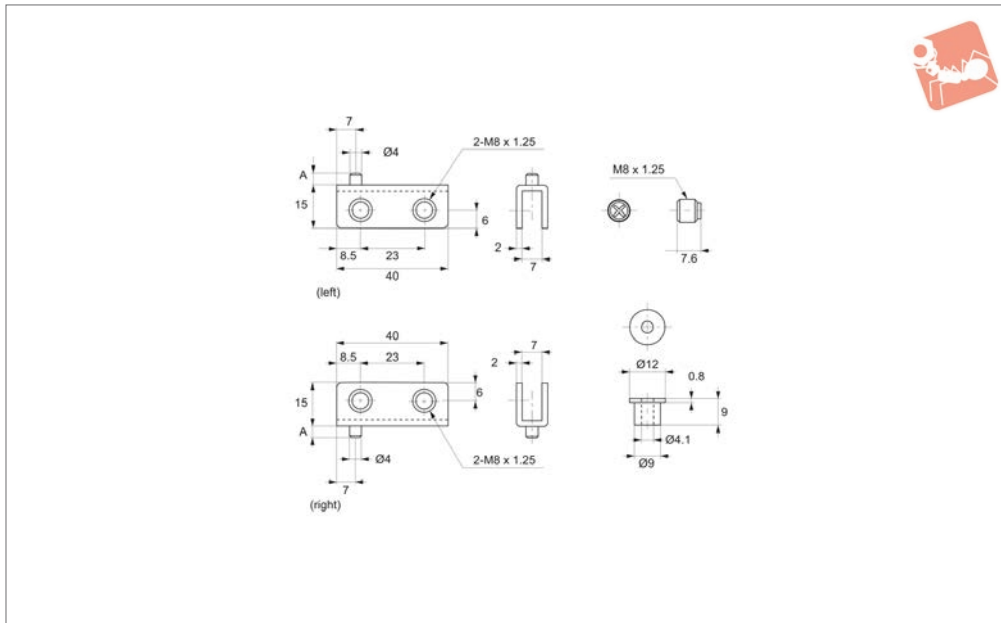


# Glass Door Hinge - Inset Type

steel



## Hinges



## T2400

HINGES

### Material

Hinge Body: Steel, black finish  
 Support: Polypropylene (PP), black finish  
 Screw: Steel, black finish  
 Socket: Polyamide (PA), black finish

### Technical Notes

Please use in pairs. Can not be used sepe-

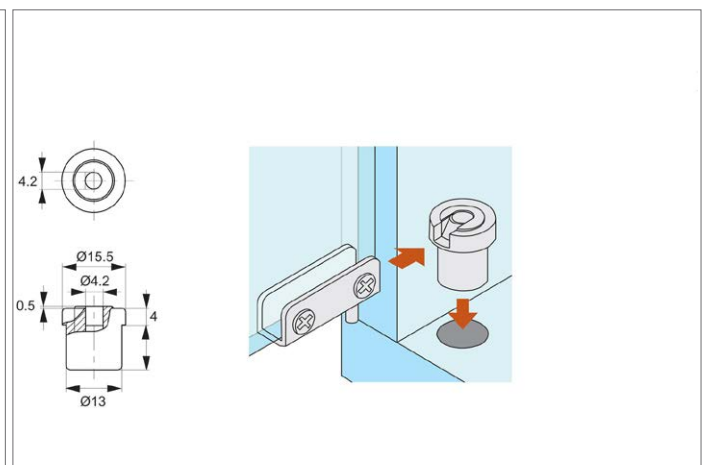
rately.

Left: For left-lower/right-upper  
 Right: For right-lower/left-upper  
 Door width: Max. 450  
 Door Height: Max. 700  
 Glass Thickness: 4,5  
 Door Weight: Max. 4kg/pair

### Tips

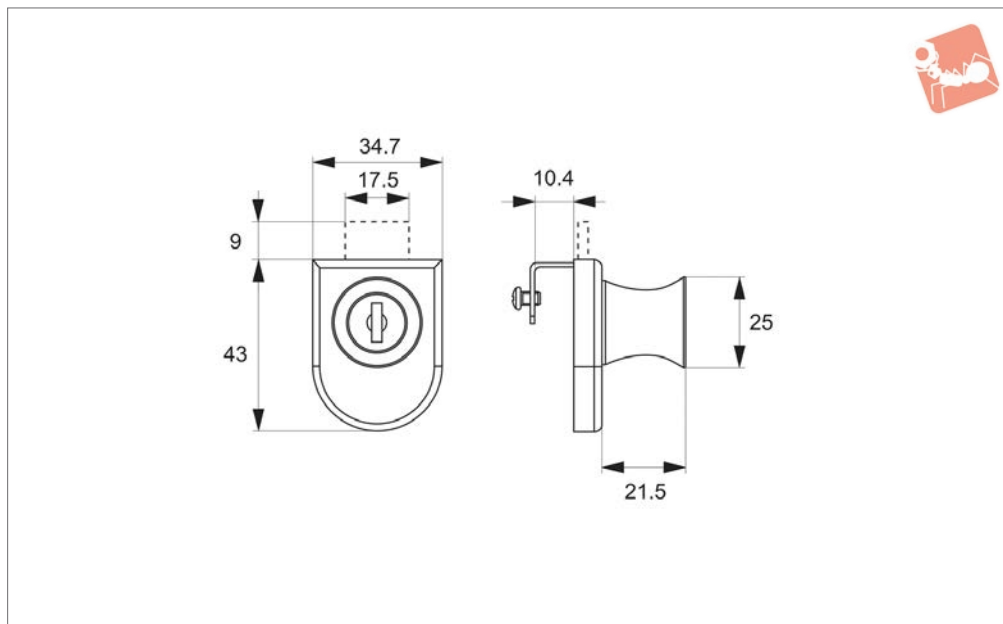
T2400.AW0010 and T2400.AW0020 should be used with the socket.

Order No.	Type	a	Weight g
T2400.AW0010	Right	4	25.0
T2400.AW0020	Left	4	25.0
T2400.AW0110	Right	9	25.5
T2400.AW0120	Left	9	25.5
T2400.AW0990	-	-	5





**T4101**



**Material**

Zinc alloy, Din EN1774 ZnAl4Cu1

glass cabinets and showcases.

**Technical Notes**

To suit glass from 4 - 8mm thick. For use in

**Important Notes**

Easy installation, lock is clamped to edge of glass via a grub screw.

**Also supplied with catch plate.**

Order No.	Glass thickness mm min.	Glass thickness mm max.	Key type
T4101.AW0010	4	8	Keyed alike



# Glass Door Hinges Selection Chart



## Glass Door Fittings

The Wixroyd range of glass door hinges are intended for the mounting of smaller doors and panels on cabinets and enclosures, typically their maximum load capacity is 4 Kg per hinge pair. Some of our larger hinges have a capacity of upto 12-15 Kg/pair.



Wixroyd product no.	Max. glass thickness (mm)	Max. load capacity per pair (Kg)	Max. door/panel size mm (subj. to max. load)	Requires mounting holes cut in glass
T2000	4 to 6	4	-	Yes
T2030	4 to 6	4	450 x 700	Yes
T2220	5 to 8	15	600 x 700	Yes
T2300	5 to 8	12	650 x 700	Yes
T2102	4 to 6	8	500 x 600	Yes

### Inset type hinges

Inset hinges are mounted on the inside of the cabinet frame, and are used for hanging doors/panels flush to the frame of the cabinet. Requires mounting holes to be cut into the glass.



Wixroyd product no.	Max. glass thickness (mm)	Max. load capacity per pair (Kg)	Max. door/panel size mm (subj. to max. load)	Requires mounting holes cut in glass
T2240	5 to 8	15	600 x 700	Yes
T2106	4 to 6	8	500 x 600	Yes

### Overlay hinges

Overlay hinges are mounted to the inside of the cabinet frame, with the complete hinge profile resting on the cabinet frame. The door/panel is hung proud of the cabinet frame. Requires mounting holes to be cut into the glass.



Wixroyd product no.	Max. glass thickness (mm)	Max. load capacity per pair (Kg)	Max. door/panel size mm (subj. to max. load)	Requires mounting holes cut in glass
T2020	4 to 6	4	-	Yes
T2040	4 to 6	4	450 x 700	Yes
T2104	4 to 6	8	500 x 600	Yes

### Half overlay hinges

Half overlay hinges are mounted to the inside of the cabinet frame, with half of the hinge profile resting on the cabinet frame. The door/panel is hung proud of the cabinet frame. Requires mounting holes to be cut into the glass.



Wixroyd product no.	Max. glass thickness (mm)	Max. load capacity per pair (Kg)	Max. door/panel size mm (subj. to max. load)	Requires mounting holes cut in glass
T2200	5 to 8	15	600 x 700	Yes

### Glass-to-glass hinges

To hinge glass-to-glass, Tony says use these particular hinges, they provide non-flush hanging of glass to glass. Requires mounting holes to be cut into the glass.



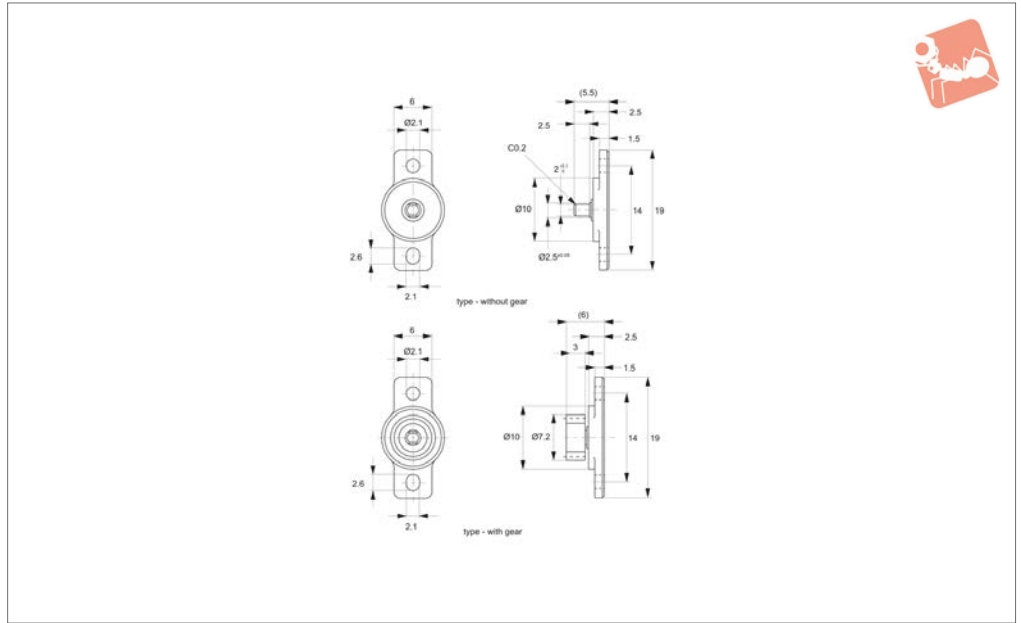
Wixroyd product no.	Max. glass thickness (mm)	Max. load capacity per pair (Kg)	Max. door/panel size mm (subj. to max. load)	Requires mounting holes cut in glass
T2260	4 to 8	-	450 x 1300	No
T2280	4 to 8	-	400 x 600	No

### Set screw mount hinges

These simple to install glass hinges use set screws to clamp the glass, no cutting of the glass is required.



## Q3000



### Material

Body: polycarbonate  
 Shaft: polyacetal  
 Gear: polyacetal

### Technical Notes

Gear Specification:  
 Type - Standard Spur Gear  
 Tooth - Involute (full)

Module - 0.6mm  
 Pressure Angle - 20°  
 Number of Teeth - 10  
 Pitch Circle Diameter - 6mm  
 Temperature range 0° to +50°.

### Tips

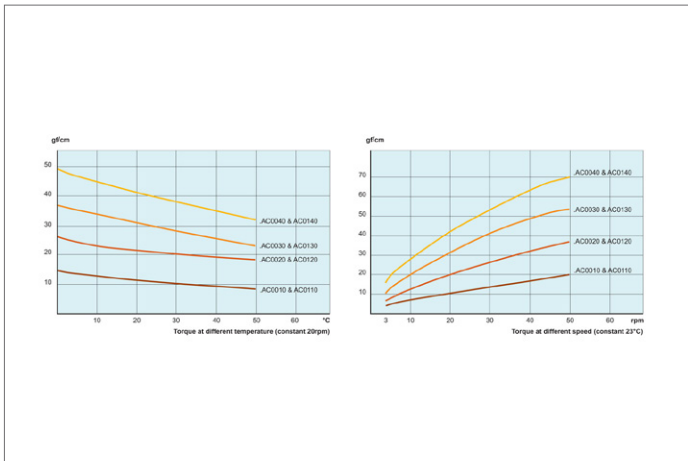
Create smooth movement and dampening in applications such as loading trays, arm

rests and storage compartments.

**For graphs of torque at varying temperature and speed, see Torque Closing Speed Graphs earlier in this section.**

### Order No.

- Q3000.AC0010
- Q3000.AC0020
- Q3000.AC0030
- Q3000.AC0040
- Q3000.AC0110
- Q3000.AC0120
- Q3000.AC0130
- Q3000.AC0140

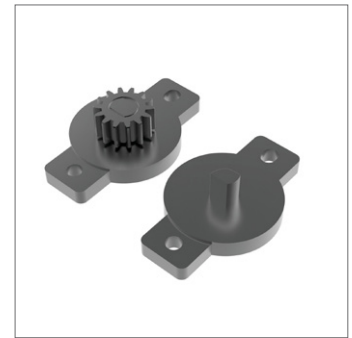
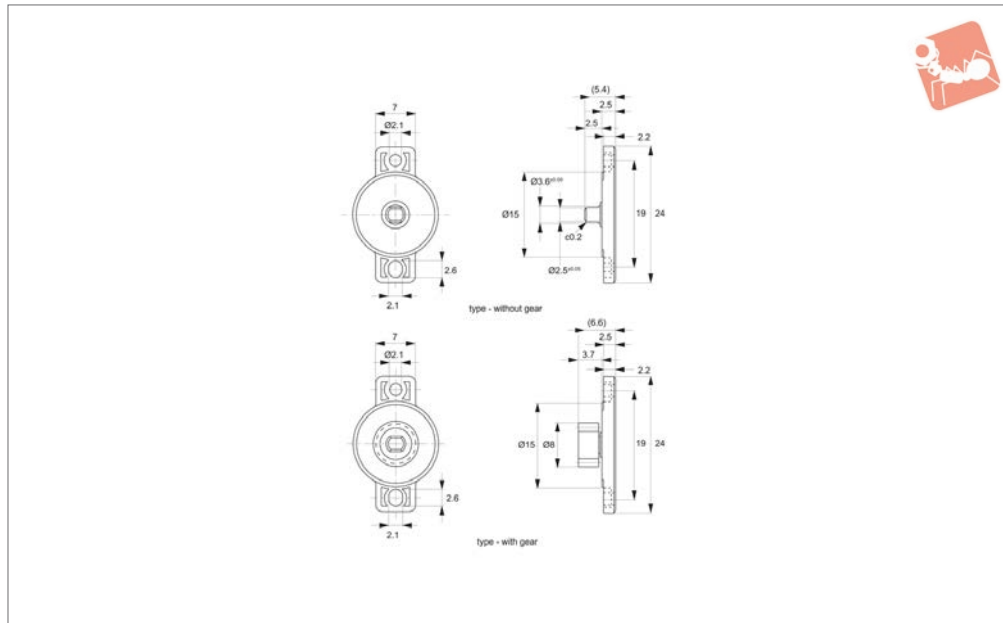




# Rotary Dampers

bi-directional - continuous rotation - up to 100 gf.

# Rotary Dampers



## Q3020

ROTARY DAMPERS

### Material

Body: polycarbonate  
Shaft: polyacetal  
Gear: polyacetal

### Technical Notes

Gear Specification:  
Type - Standard Spur Gear  
Tooth - Involute (full)

Module - 0.5mm  
Pressure Angle - 20°  
Number of Teeth - 14  
Pitch Circle Diameter - 7mm  
Temperature range 0° to +50°c.

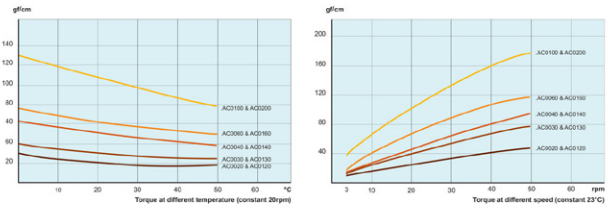
### Tips

Create smooth movement and dampening in applications such as loading trays, arm

rests and storage compartments.

**For graphs of torque at varying temperature and speed, see Torque Closing Speed Graphs earlier in this section.**

Order No.	Type	Damping torque gf·cm	Weight g
Q3020.AC0020	Without Gear	20	0.6
Q3020.AC0030	Without Gear	30	0.6
Q3020.AC0040	Without Gear	45	0.6
Q3020.AC0060	Without Gear	60	0.6
Q3020.AC0100	Without Gear	100	0.6
Q3020.AC0120	With Gear	20	0.8
Q3020.AC0130	With Gear	30	0.8
Q3020.AC0140	With Gear	45	0.8
Q3020.AC0160	With Gear	60	0.8
Q3020.AC0200	With Gear	100	0.8

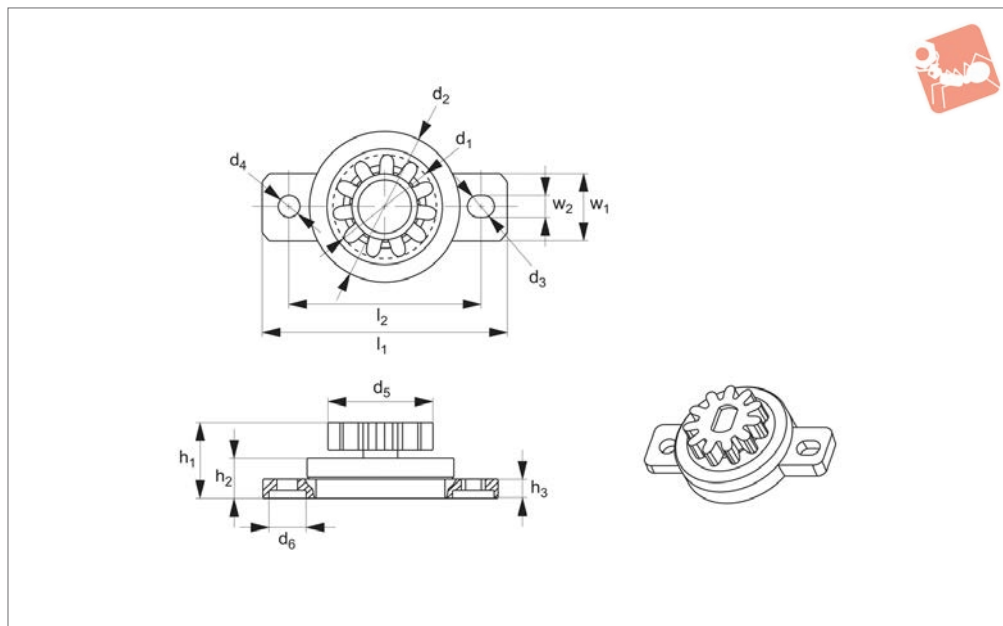




# Rotary Dampers

bi-directional - continuous rotation - up to 150gf.

# Rotary Dampers



**Q3022**

ROTARY DAMPERS

### Material

Polycetal (POM), Polycarbonate (PC)

in applications such as loading trays, arm rests and storage compartments. Subject to minimum order quantity.

### Tips

Create smooth movement and dampening

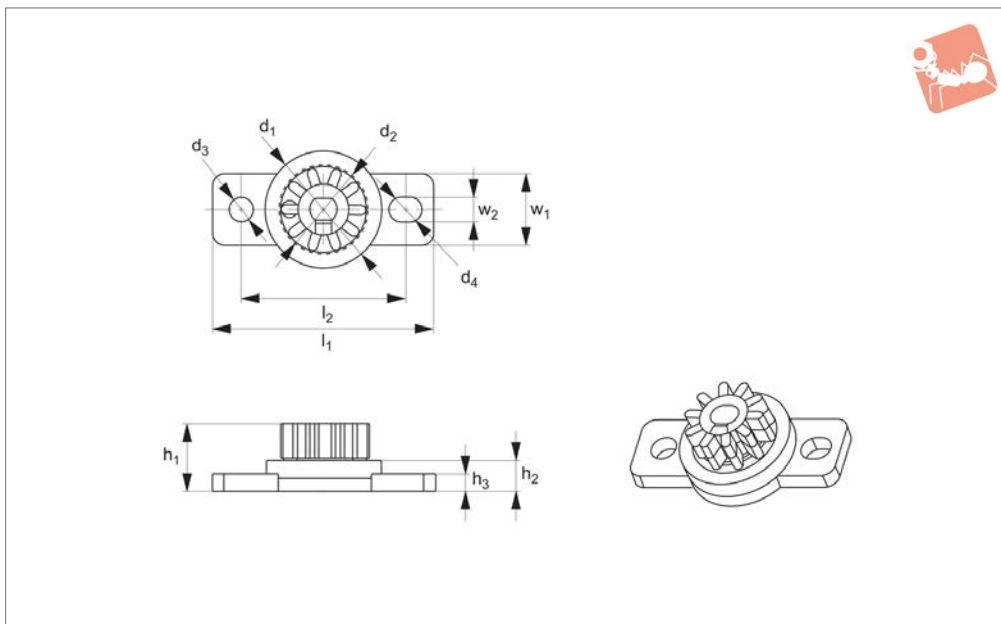
Order No.	Type	Torque gf·cm	No. of teeth	Gear module	Pitch circle diameter P.C.D	Pressure angle
<b>Q3022.AC0150</b>	With gear	50-150	11	0.8	8.8	20°

Order No.	$l_1$	$d_1$	$d_2$	$d_3$	$d_4$	$d_5$	$d_6$	$h_1$	$h_2$	$h_3$	$l_2 \pm 0.1$	$w_1$	$w_2$
<b>Q3022.AC0150</b>	23.9	10.4	15	2.5	2.2	15	4.1	7.55	4.2	1.85	18.9	6.7	2.2



## Q3026



### Material

thermoplastic (ABS), Polycetal (POM).

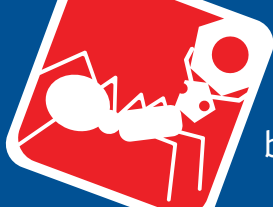
### Tips

Create smooth movement and dampening

in applications such as loading trays, arm rests and storage compartments. Subject to minimum order quantity.

Order No.	Type	Torque gf.cm	No. of teeth	Gear module	Pitch circle diameter P.C.D	Pressure angle					
Q3026.AC0050	With gear	15-50	11	0.6	6	20°					
Order No.	$l_1$	$d_1$	$d_2$	$d_3$	$d_4$	$h_1$	$h_2$	$h_3$	$l_2$	$w_1$	$w_2$
Q3026.AC0050	19	10	7.2	2.1	2.5	5.9	2.7	1.5	14	6	2.1

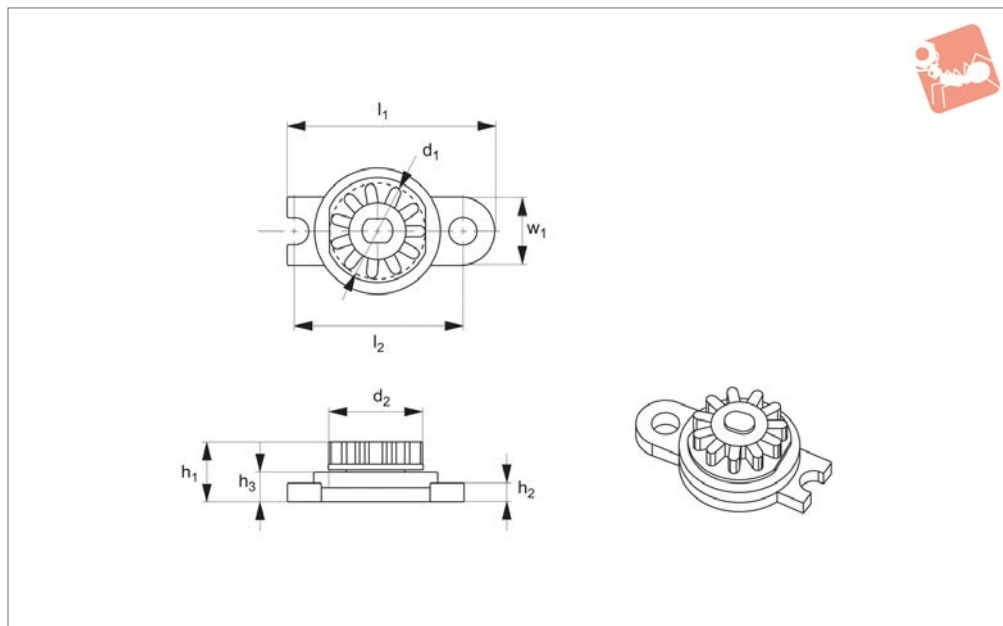




# Rotary Dampers

bi-directional - continuous rotation - up to 50gf.cm

# Rotary Dampers



**Q3027**

ROTARY DAMPERS

### Material

thermoplastic (ABS), Polycetal (POM).

in applications such as loading trays, arm rests and storage compartments. Subject to minimum order quantity.

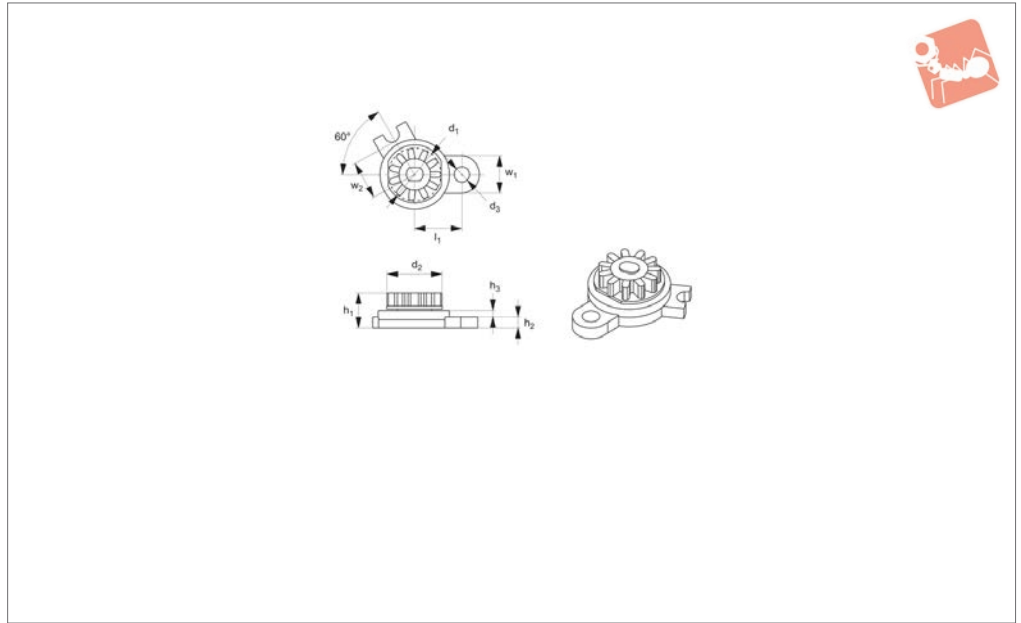
### Tips

Create smooth movement and dampening

Order No.	Type	Torque gf·cm	No. of teeth	Gear module	Pitch circle diameter P.C.D	Pressure angle		
<b>Q3027.AC0050</b>	With gear	15-50	11	0.6	6.6	20°		
Order No.	$l_1$	$d_1$	$d_2$	$h_1$	$h_2$	$h_3$	$l_2$	$w_1$
<b>Q3027.AC0050</b>	16.7	7.8	10.2	5	1.5	2.5	13.85	5



## Q3028



### Material

Polycarbonate (PC), polycetal (POM).

in applications such as loading trays, arm rests and storage compartments. Subject to minimum order quantity.

### Tips

Create smooth movement and dampening

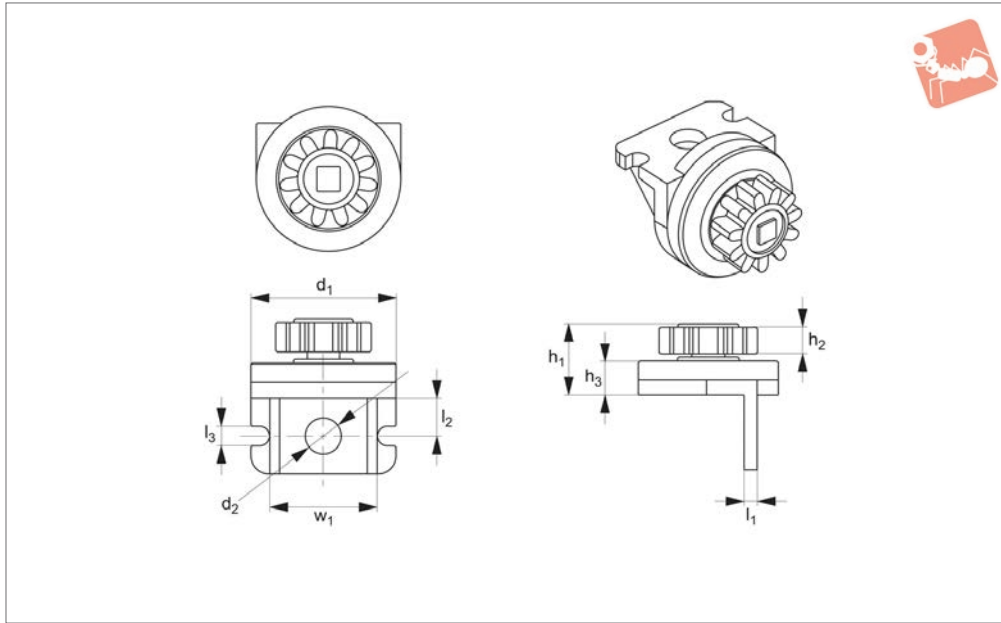
Order No.	Type	Torque gf.cm	No. of teeth	Gear module	Pitch circle diameter P.C.D	Pressure angle				
Q3028.AC0050	With gear	15-50	11	0.6	6.6	20°				
Order No.	$l_1$	$d_1$	$d_2$	$d_3$	$h_1$	$h_2$	$h_3$	$w_1$	$w_2$	Angle
Q3028.AC0050	7	7.8	10.2	2.2	5	2.5	1.5	5.0	5.8	60°



# Rotary Dampers

bi-directional - continuous rotation - up to 150gf.

# Rotary Dampers



**Q3029**

ROTARY DAMPERS

### Material

thermoplastic (ABS), Polycetal (POM).

in applications such as loading trays, arm rests and storage compartments. Subject to minimum order quantity.

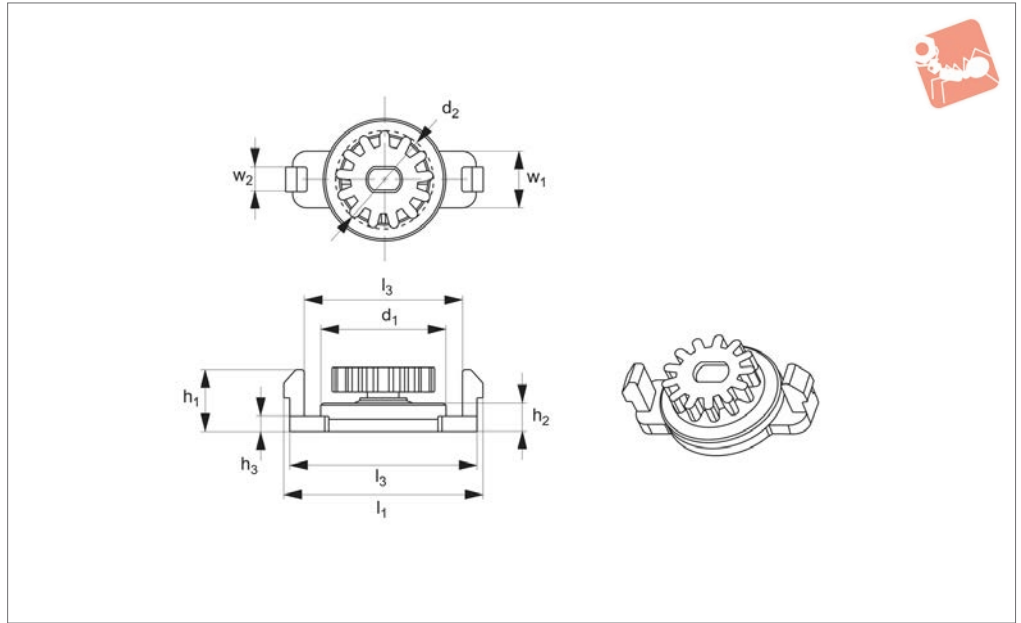
### Tips

Create smooth movement and dampening

Order No.	Type	Torque gf·cm	No. of teeth	Gear module	Pitch circle diameter P.C.D	Pressure angle			
<b>Q3029.AC0150</b>	With gear	70-150	11	0.8	8.8	20°			
Order No.	$l_1$	$d_1$	$d_2$	$h_1$	$h_2$	$h_3$	$l_2$	$l_3$	$w_1$
<b>Q3029.AC0150</b>	1.6	15.1	3.9	7.6	3	4.2	3.9	2	11



## Q3031



ROTARY DAMPERS

### Material

Polycetal (POM), polycarbonate (PC)

in applications such as loading trays, arm rests and storage compartments. Subject to minimum order quantity.

### Tips

Create smooth movement and dampening

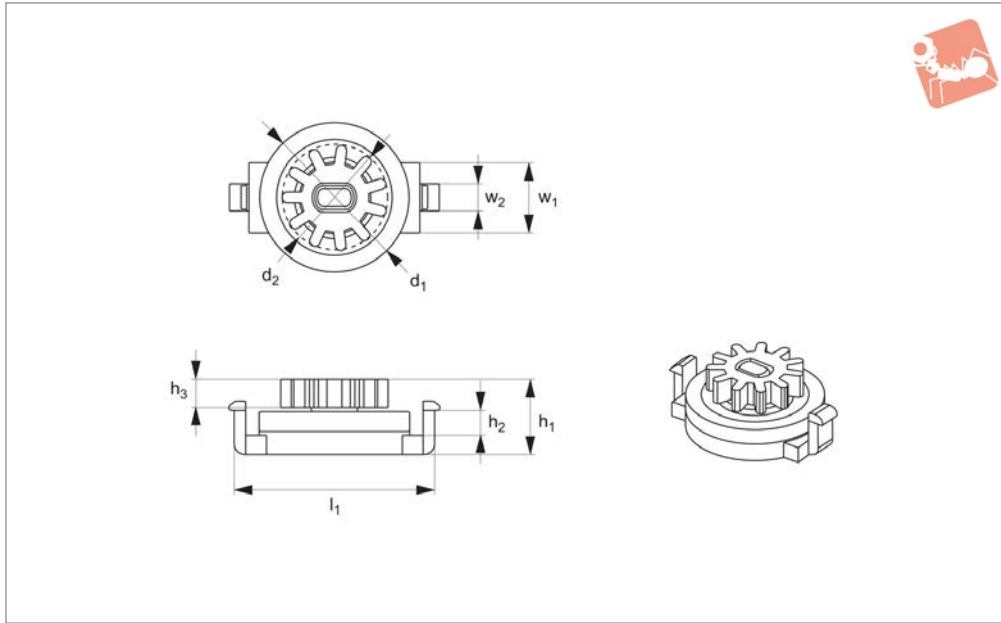
Order No.	Type	Torque gf·cm	No. of teeth	Gear module			Pitch circle diameter P.C.D		Pressure angle	
Q3031.AC0150	With gear	50-150	13	0.8			10.4		20°	
<b>Order No.</b>	$l_1$	$d_1$	$d_2$	$h_1$	$h_2$	$h_3$	$l_2$	$l_3$	$w_1$	$w_2$
Q3031.AC0150	24	15	12	7.5	4	2.21	22.5	18.7	7	3



# Rotary Dampers

bi-directional - continuous rotation - up to 100gf.

# Rotary Dampers



**Q3032**

ROTARY DAMPERS

### Material

Polycetal (POM), polycarbonate (PC)

in applications such as loading trays, arm rests and storage compartments. Subject to minimum order quantity.

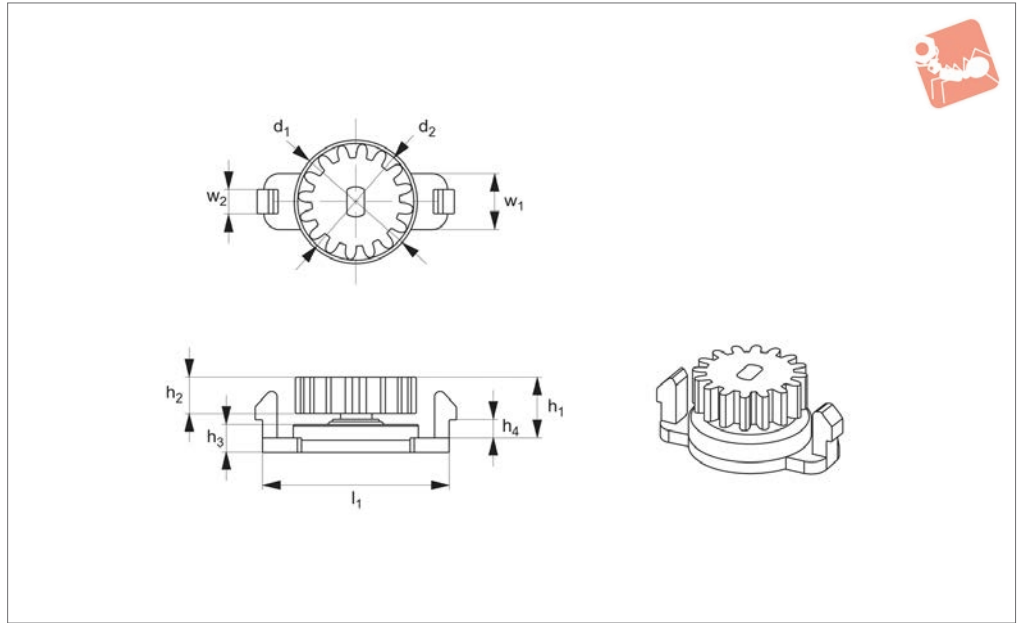
### Tips

Create smooth movement and dampening

Order No.	Type	Torque gf·cm	No. of teeth	Gear module	Pitch circle diameter P.C.D	Pressure angle		
<b>Q3032.AC0100</b>	With gear	50-100	11	0.8	8.8	20°		
Order No.	$l_1$	$d_1$	$d_2$	$h_1$	$h_2$	$h_3$	$w_1$	$w_2$
<b>Q3032.AC0100</b>	19.65	15	10.4	7.55	2.52	2.9	7	2.9



## Q3033



### Material

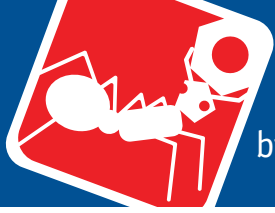
thermoplastic (ABS), Polycetal (POM).

### Tips

Create smooth movement and dampening

in applications such as loading trays, arm rests and storage compartments. Subject to minimum order quantity.

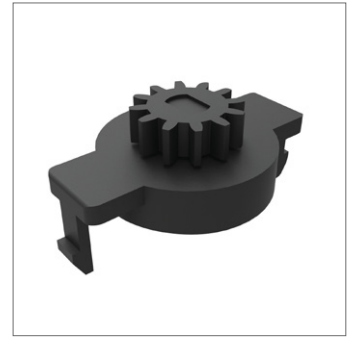
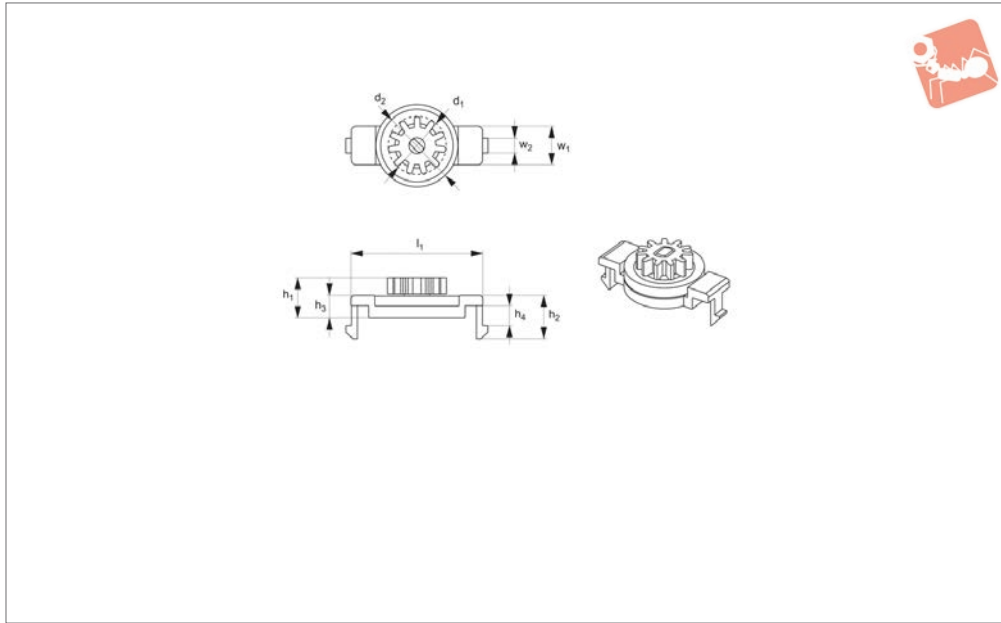
Order No.	Type	Torque gf·cm	No. of teeth	Gear module	Pitch circle diameter P.C.D	Pressure angle			
Q3033.AC0150	With gear	50-150	16	0.8	12.8	20°			
Order No.	$l_1$	$d_1$	$d_2$	$h_1$	$h_2$	$h_3$	$h_4$	$w_1$	$w_2$
Q3033.AC0150	22.5	15	14	9.2	4.5	4	2.2	7.0	3.0



# Rotary Dampers

bi-directional - continuous rotation - up to 50gf.cm

# Rotary Dampers



**Q3036**

ROTARY DAMPERS

**Material**

Polycetal (POM), polycarbonate (PC).

in applications such as loading trays, arm rests and storage compartments. Subject to minimum order quantity.

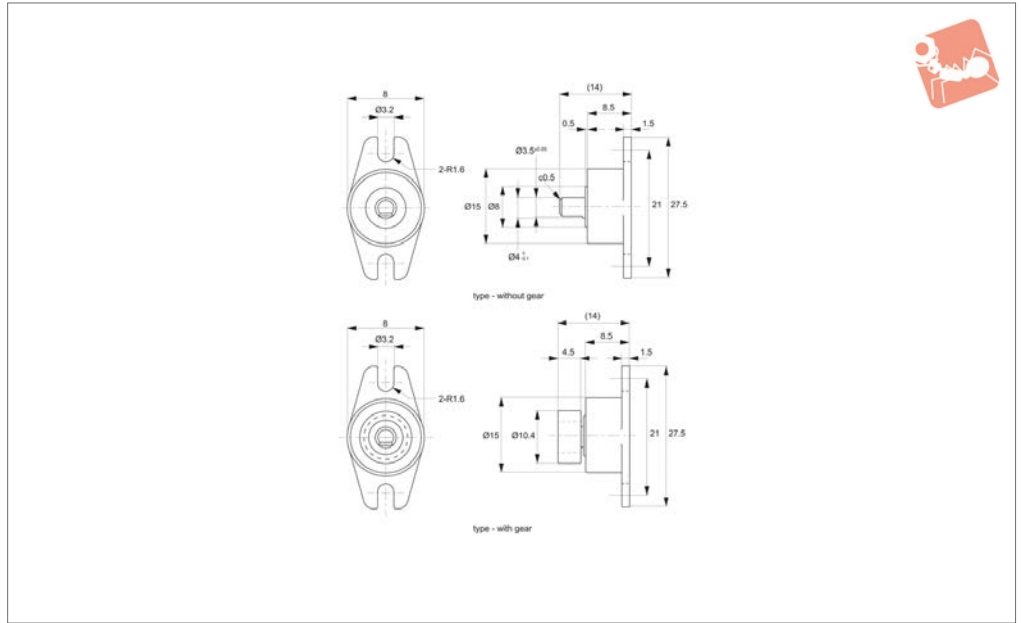
**Tips**

Create smooth movement and dampening

Order No.	Type	Torque gf·cm	No. of teeth	Gear module	Pitch circle diameter P.C.D				Pressure angle	
<b>Q3036.AC0050</b>	With gear	15-50	11	0.8	8.8				20°	
Order No.	$l_1$	$d_1$	$d_2$	$h_1$	$h_2$	$h_3$	$h_4$	$w_1$	$w_2$	
<b>Q3036.AC0050</b>	24.5	15.2	10.4	7.8	8.2	4.3	3.7	7	2.5	



## Q3040



### Material

Body: polycarbonate.  
 Gear: polyacetal.  
 Oil: silicone oil.

### Technical Notes

Gear specification:  
 Type - standard spur gear  
 Tooth - involute (full)  
 Module - 0.8

Pressure angle - 20°  
 Number of teeth - 11  
 Pitch circle diameter - 8.8

### Tips

**For graphs of torque at varying temperature and speed see torque closing speed graphs.**

### Important Notes

Rotation speed of 20rpm, at 23°C.  
 Values ±20%.  
 Max. rotation speed 50rpm.  
 Max. cycle rate 10 cycle/min.  
 Operating temperature, 0° to 50°C.  
 Design tested to 50,000 cycles.  
 Meets RoHS standards.

Order No.	Type	Damping direction	Damping torque gf·cm	Shaft material	Weight g
Q3040.AWC0020	Without Gear	Bi-directional	200	Polyacetal	2.1
Q3040.AW0030	Without Gear	Bi-directional	300	Polyacetal	2.1
Q3040.AW0120	With Gear	Bi-directional	200	Polyacetal	2.4
Q3040.AW0130	With Gear	Bi-directional	300	Polyacetal	2.4
Q3040.AW0031	Without Gear	Clockwise	300	Metal	3.2
Q3040.AW0131	With Gear	Clockwise	300	Metal	3.5
Q3040.AW0032	Without Gear	Anti-clockwise	300	Metal	3.2
Q3040.AW0132	With Gear	Anti-clockwise	300	Metal	3.5

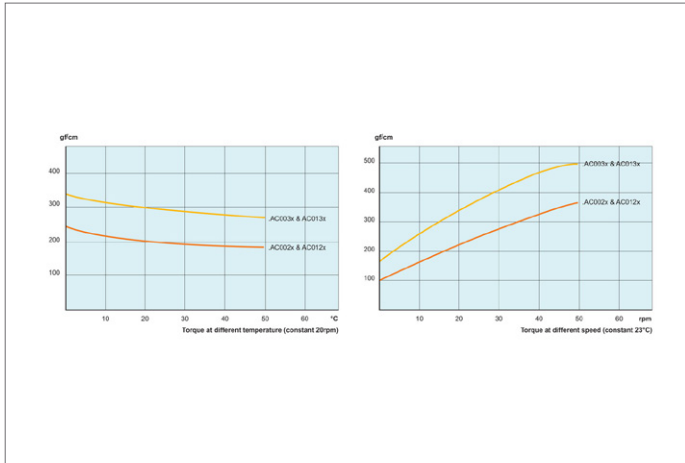


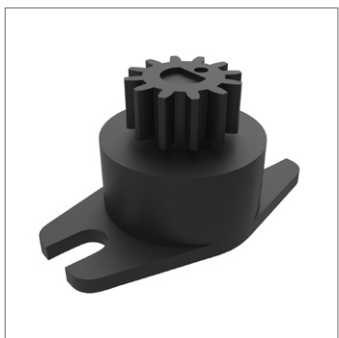


# Rotary Dampers

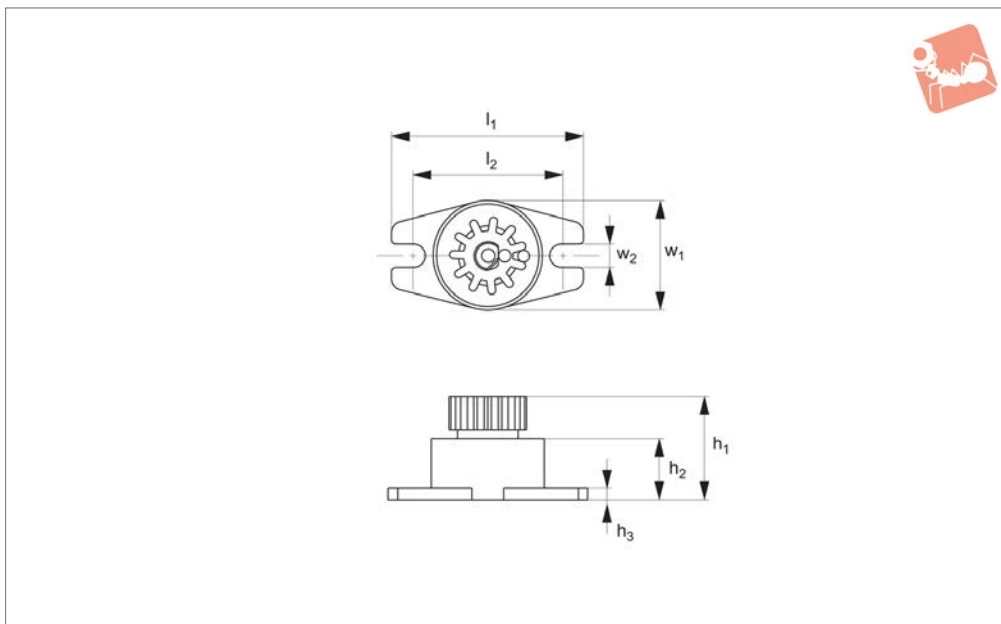
uni- and bi-directional - continuous rotation - up to

# Rotary Dampers





## Q3042



### Material

Polycetal (POM), polycarbonate (PC)

in applications such as loading trays, arm rests and storage compartments. Subject to minimum order quantity.

### Tips

Create smooth movement and dampening

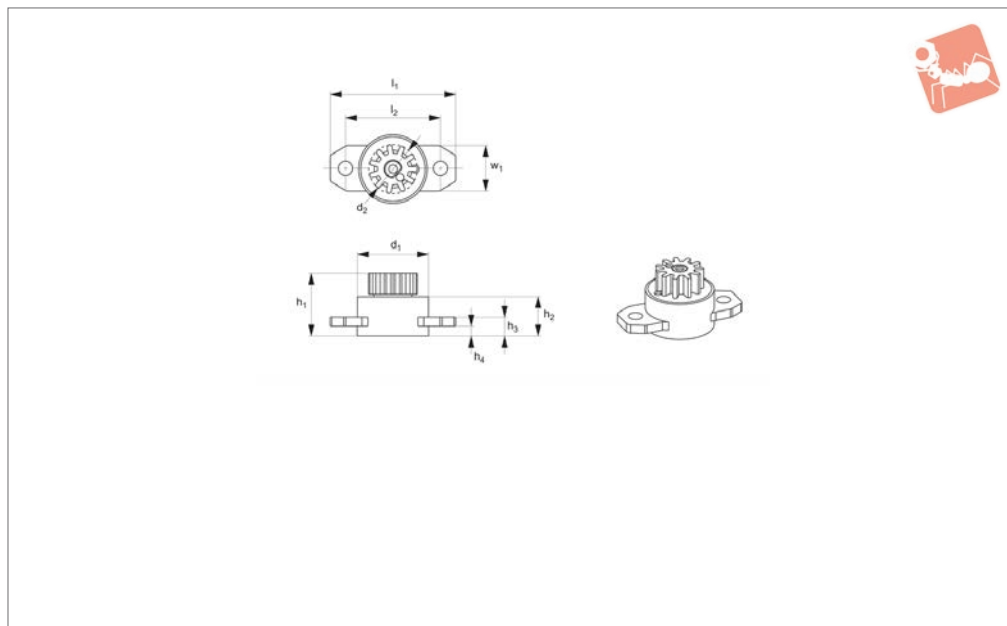
Order No.	Damping direction	Torque gf-cm	No. of teeth	Gear module	Pitch circle diameter P.C.D	Pressure angle	$l_1$	$h_1$	$h_2$	$h_3$	$w_1$	$w_2$
Q3042.AC0400	Anti-clockwise	80-120	11	0.6	8.8	20	27.5	14	8.5	1.5	15	3.2
Q3042.AC0410	Clockwise	80-120	11	0.6	8.8	20	27.5	14	8.5	1.5	15	3.2
Q3042.AC0420	Anti-clockwise	60-80	11	0.6	8.8	20	27.5	14	8.5	1.5	15	3.2
Q3042.AC0430	Clockwise	60-80	11	0.6	8.8	20	27.5	14	8.5	1.5	15	3.2



# Rotary Dampers

bi-directional - continuous rotation - up to 400gf.

# Rotary Dampers



**Q3044**

ROTARY DAMPERS

### Material

Thermoplastic (ABS), polycetal (POM).

Expected life span greater than 50k cycles.

rests and storage compartments. Subject to minimum order quantity.

### Technical Notes

Temperature range +30 -80°C.

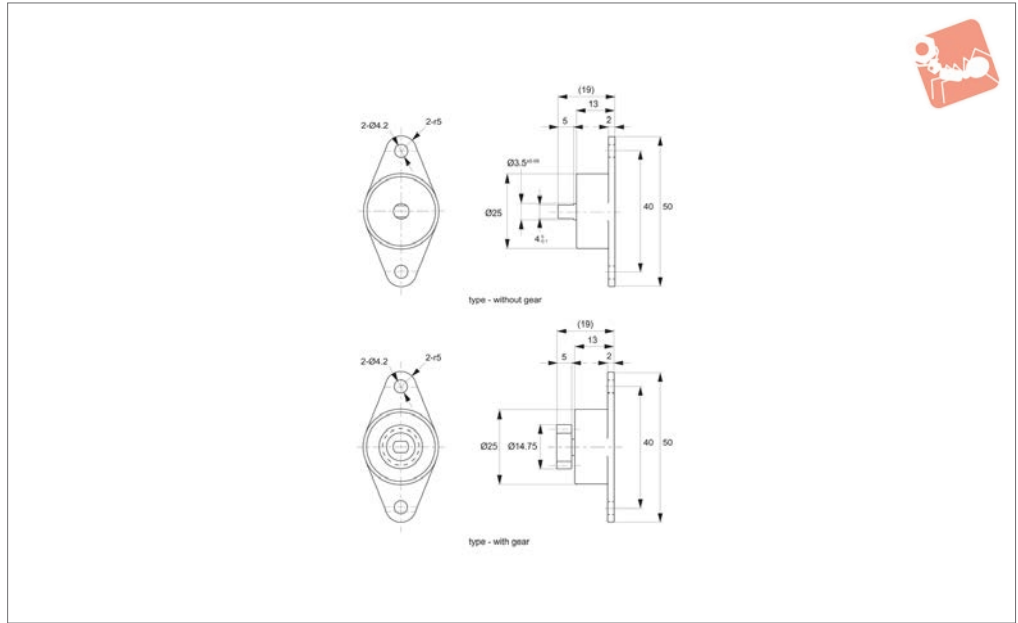
### Tips

Create smooth movement and dampening in applications such as loading trays, arm

Order No.	Type	Torque gf·cm	No. of teeth	Gear module	Pitch circle diameter P.C.D	Pressure angle			
<b>Q3044.AC0400</b>	With gear	100-400	11	0.8	8.8	20°			
Order No.	$l_1$	$d_1$	$d_2$	$h_1$	$h_2$	$h_3$	$h_4$	$l_2$	$w_1$
<b>Q3044.AC0400</b>	27.5	15	10.4	13.6	8.6	4	2	21	10



## Q3060



### Material

Body: polycarbonate  
 Shaft: polyacetal  
 Gear: polyacetal

### Technical Notes

Gear specification:

Type - Modified Spur Gear

Tooth - Involute (full)

Module - 1.0mm

Pressure Angle - 20°

Number of Teeth - 12

Pitch Circle Diameter - 12mm

Temperature Range 0° to +50°C.

### Tips

For graphs of torque at varying temperature and speed, see Torque Closing Speed Graphs earlier in this section.

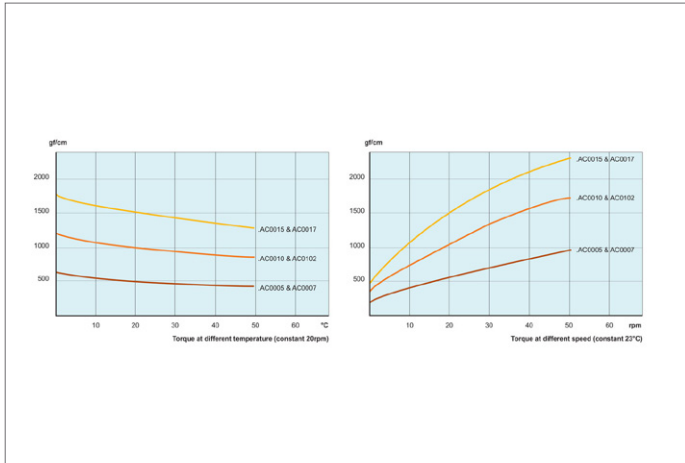
Order No.	Type	Damping direction	Torque gf-cm	Shaft type	Weight g
Q3060.AC0005	w/o Gear	Clockwise	500	Polyacetal	11.8
Q3060.AC0006	w/o Gear	Anti-Clockwise	500	Polyacetal	11.8
Q3060.AC0007	w/o Gear	Bi-Directional	500	Polyacetal	8.3
Q3060.AC0010	w/o Gear	Clockwise	1000	Polyacetal	11.8
Q3060.AC0011	w/o Gear	Anti-Clockwise	1000	Polyacetal	11.8
Q3060.AC0012	w/o Gear	Bi-Directional	1000	Polyacetal	8.3
Q3060.AC0015	w/o Gear	Clockwise	1500	Polyacetal	11.8
Q3060.AC0016	w/o Gear	Anti-Clockwise	1500	Polyacetal	11.8
Q3060.AC0017	w/o Gear	Bi-Directional	1500	Polyacetal	8.3
Q3060.AC0405	with Gear	Clockwise	500	Polyacetal	11.8
Q3060.AC0406	with Gear	Anti-Clockwise	500	Polyacetal	11.8
Q3060.AC0407	with Gear	Bi-Directional	500	Polyacetal	8.3
Q3060.AC0410	with Gear	Clockwise	1000	Polyacetal	11.8
Q3060.AC0411	with Gear	Anti-Clockwise	1000	Polyacetal	11.8
Q3060.AC0412	with Gear	Bi-Directional	1000	Polyacetal	8.3
Q3060.AC0415	with Gear	Clockwise	1500	Polyacetal	11.8
Q3060.AC0416	with Gear	Anti-Clockwise	1500	Polyacetal	11.8
Q3060.AC0417	with Gear	Bi-Directional	1500	Polyacetal	8.3



# Rotary Dampers

uni- and bi-directional - continuous rotation - up to




# Rotary Dampers



ROTARY DAMPERS



## Product selection chart

Part no.	Damping direction	Torque gf.cm	Rotary dampers													
			Torque gf.cm													
			20	40	60	80	100	200	300	400	500	1000	1500			
	Q3000	Two way	10 - 40													
	Q3020	Two way	20 - 100													
	Q3022	Two way	50 - 150													
	Q3024	Two way	50 - 150													
	Q3026	Two way	15 - 50													
	Q3027	Two way	15 - 50													
	Q3028	Two way	15 - 50													
	Q3029	Two way	70 - 150													
	Q3031	Two way	50 - 150													
	Q3032	Two way	50 - 100													
	Q3033	Two way	50 - 150													
	Q3036	Two way	15 - 50													
	Q3040	One/two way	200 - 300													
	Q3042	Two way	100 - 400													
	Q3044	Two way	100 - 400													
	Q3060	One/two way	500 - 1500													



# Rotary Dampers

## torque closing speed graphs

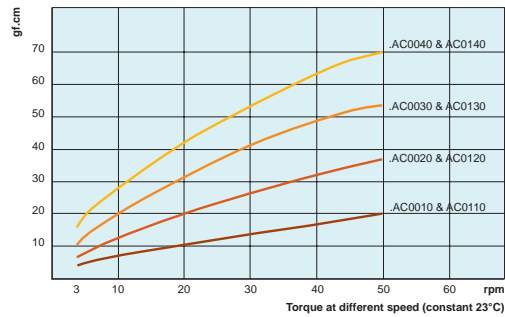
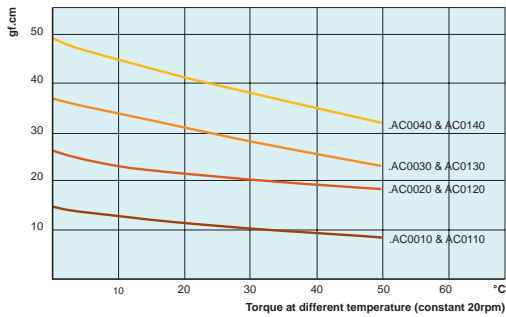
# Rotary & Torque Dampers

Follow the torque calculation formula opposite and utilise the following torque closing speed graphs to ensure the selected rotary damper best suits your application.

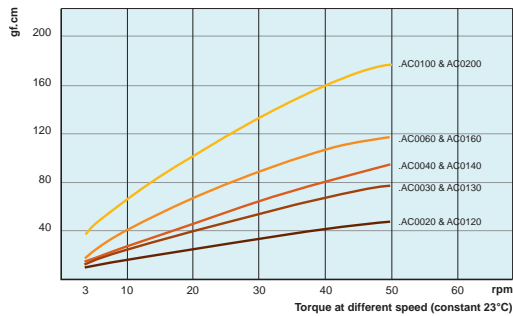
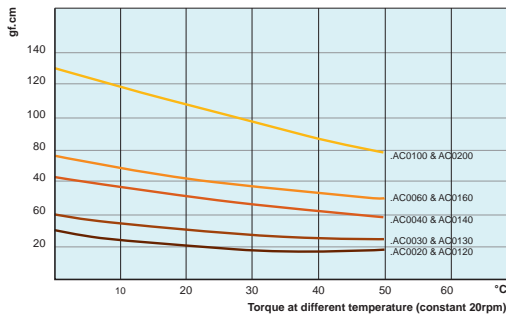
### Torque closing speed graphs

### Torque graphs for temperature and speed

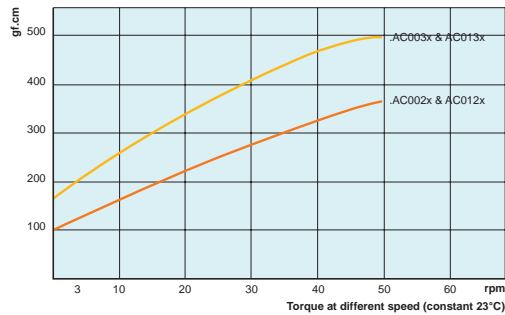
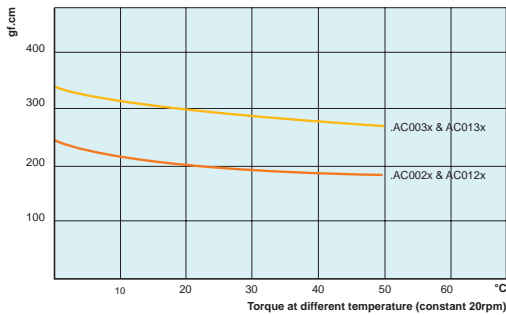
#### Q3000



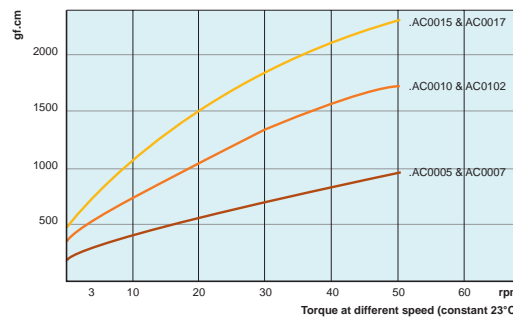
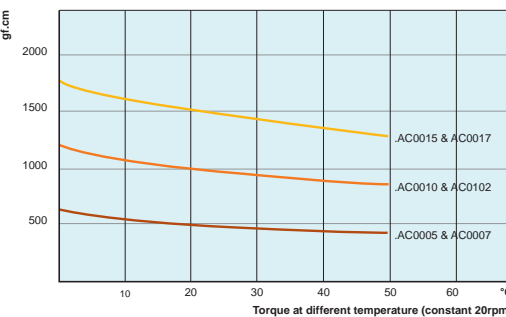
#### Q3020



#### Q3040



#### Q3060

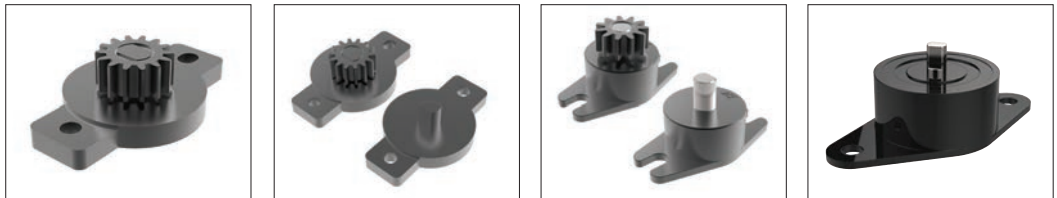




### Solution for controlled opening and closing motion

Wixroyd rotary dampers offer controlled opening and closing of lids, drawers, covers and much more, they provide a range of solutions for a variety of applications creating smooth movement and function.

Though unnoticed in many applications, rotary dampers are a vital part of many products bringing quality, safety and durability. Rotary dampers provide quality movement enhancing both touch and feel. Available in unidirectional (single) dampening, or bi-directional (double) version. Also available with or without gears.



### Rotary dampers

Rotary dampers utilise the principle of fluid resistance to reduce the speed of moving parts. The oil viscosity is utilised to provide the "braking force" of the damper. The torque or "braking force" can be adjusted by changing the viscosity of the oil. The advantages of the rotary type dampers are their compact size.

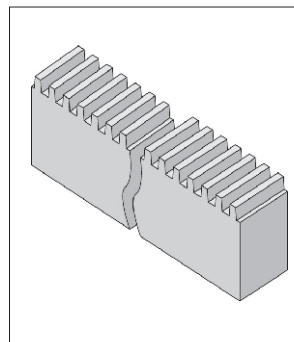
### Applications

- Loading trays for CD, DVD, VCR, MD players.
- Arm rests, ashtrays, center consoles, glove boxes, handles and storage compartments in passenger vehicles.
- Camcorders, cellular phones and small personal devices.

### Operating principle

Rotary dampers utilise the movement of fluid forced from one chamber to another via a rotor. Dampening speed is dependent upon the viscosity of the fluid and the diameter of the fluid aperture.

Through the use of toothed plastic rack no. Q3150, rotary dampers with gears can be used to dampen on a linear plane rather than the normal dampening directly at the shaft.



Part no.	Q3200 to Q3260
Max. speed	50rpm
Max. cycle rate	10 cycles/min
Nominal torque rating	At 20rpm, 23°C (73°F)
Operating temperature	0 to 50°C (32 - 122°F)
Storage temperature	-20 to 60°C (-4 to 140°F)

### Torque calculation

#### Note

Dampening direction is determined whilst looking directly onto the output shaft.

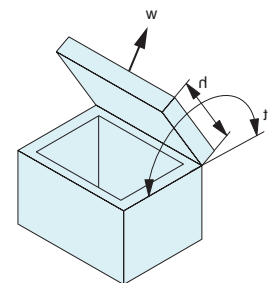
#### Important

Avoid side loading of the disk damper output shaft in order to maximise effectiveness.

To calculate the torque for your application, the following measurements are necessary.

- $t$  (torque) =  $w \times 0.5 \times h$   
 $h$  = length from pivot point to end of lid (cm)  
 $w$  = weight of the lid (Kg)

Torque force stated per product (see individual product pages), is the maximum torque to which the specified part can be exposed before the dampening force yields and hence dampening is overcome.



**Important note:** Once calculation has been made choose a disk damper from our range which can accommodate the newly calculated torque of the application. Use the damper closing speed graphs opposite to confirm that the rpm given at the corresponding torque value matches the desired lid closing speed. If the desired rpm is beyond the capacity of the selected damper, then select another damper with a higher torque rating and re-test. If the rpm is too slow select another damper with a lower torque rating and re-test.

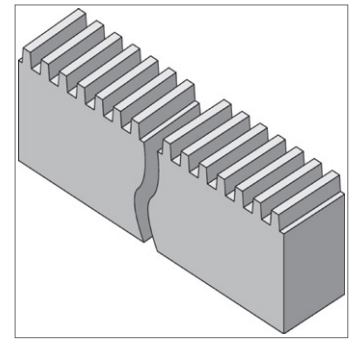
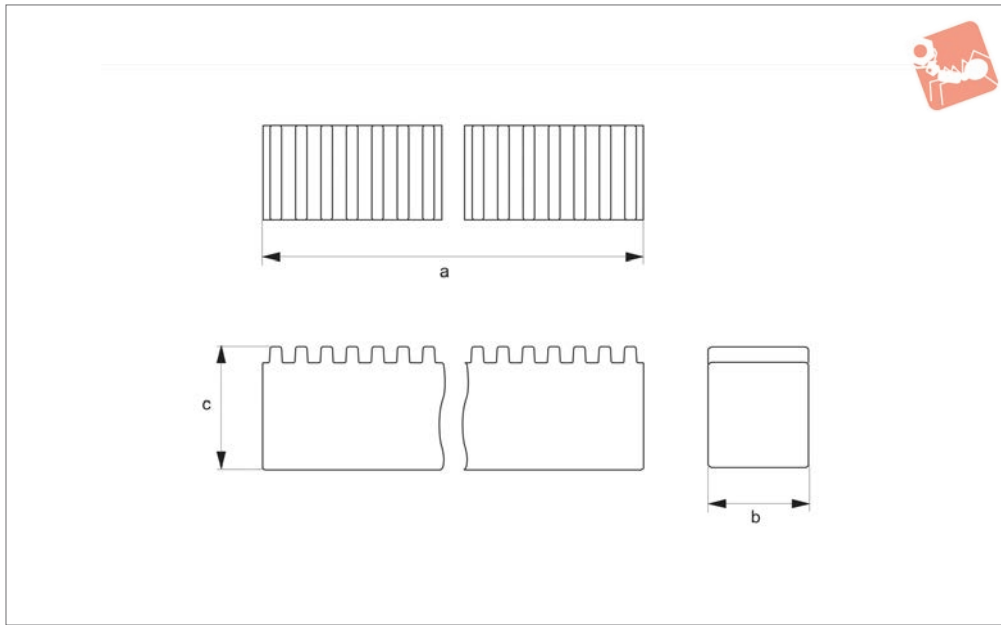




# Toothed Rack - Module 0,5 to 1,0

for use with rotary dampers Q3000 to Q3060

## Rotary Dampers



**Q3150**

ROTARY DAMPERS

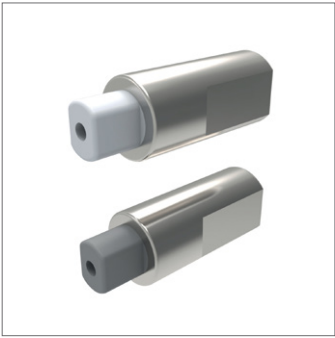
### Material

Plastic

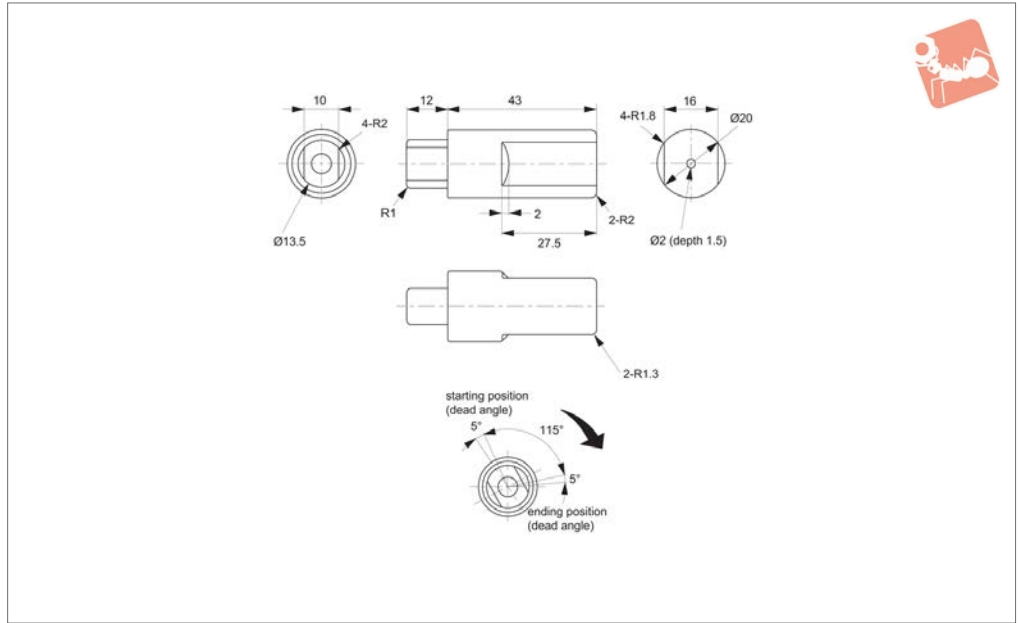
### Technical Notes

For use with our geared rotary dampers Q3000 to Q3060.

Order No.	Type	Module	a	b	c
Q3150.AC0052	Rigid	0.5	250	4	6.0
Q3150.AC0062	Rigid	0.6	250	4	6.0
Q3150.AC0082	Rigid	0.8	250	6	8.0
Q3150.AC0102	Rigid	1.0	250	10	10.0



## Q0400



### Material

Body: stainless steel, AISI 304.  
 Shaft: PBT plastic. White for anti-clockwise version, grey for clockwise version. Different torque forces marked by colour coded dot on shaft.

### Technical Notes

115° operating angle, additional 5° dead

angle at start/end position.  
 Tested to over 100,000 cycles.  
 Temperature range 0° to 40°C.

### Tips

Provide smooth and quiet motion of lids, covers etc. Ideal for special purpose machines, air conditioning units etc.

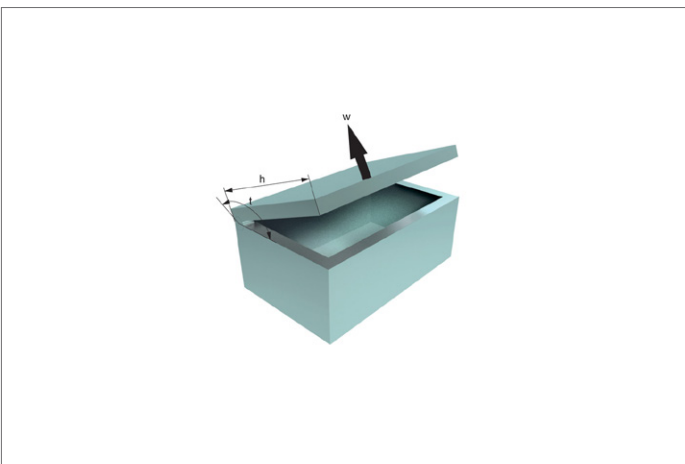
### Important Notes

#### Torque calculation:

$$T \text{ (Kgf.cm)} = W \text{ (Kg)} \times 0.5 \times H \text{ (cm)}$$

W (Kg) is weight of cover/lid, H (cm) is distance between fulcrum and cover/lid's opening edge.

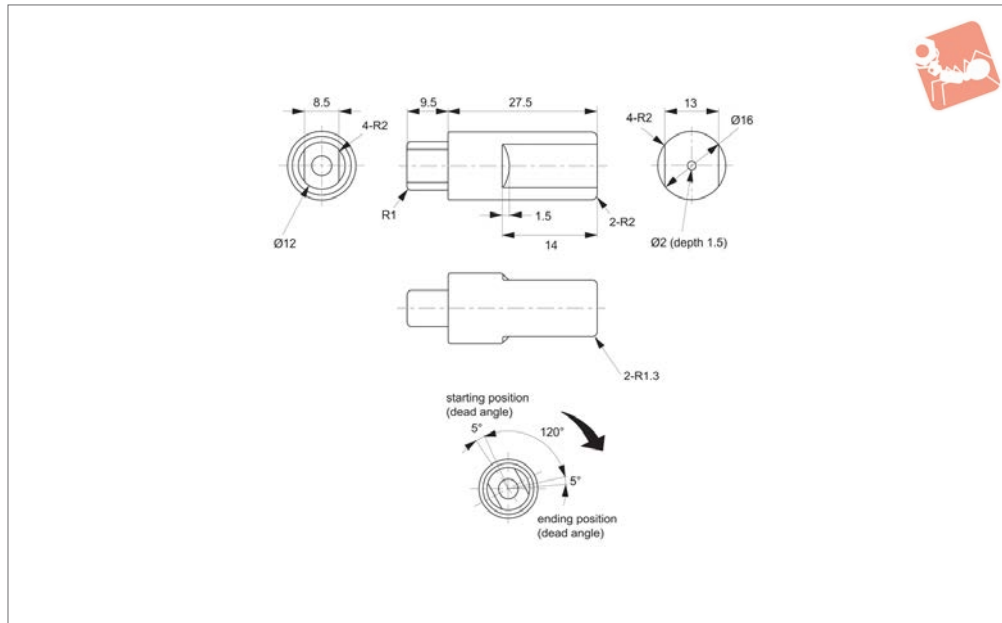
Order No.	Type	Shaft colour	Operating angle	Torque kgf/cm	Torque colour marking	Weight g
Q0400.AC0010	Anti-Clockwise	White	115°	15 - 25	Blue	38
Q0400.AC0020	Anti-Clockwise	White	115°	25 - 35	Red	38
Q0400.AC0110	Clockwise	Grey	115°	15 - 25	Blue	38
Q0400.AC0120	Clockwise	Grey	115°	25 - 35	Red	38





# Torque Dampers - Compact uni-directional - 120° operating angle

## Torque Dampers



### Q0420

TORQUE DAMPERS

#### Material

Body: stainless steel, AISI 304.  
Shaft: PBT plastic. White for anti-clockwise version, grey for clockwise version. Different torque forces marked by colour coded dot on shaft.

#### Technical Notes

120° operating angle, additional 5° dead

angle at start/end position.  
Tested to over 100,000 cycles.  
Temperature range 0° to 40°C.

#### Tips

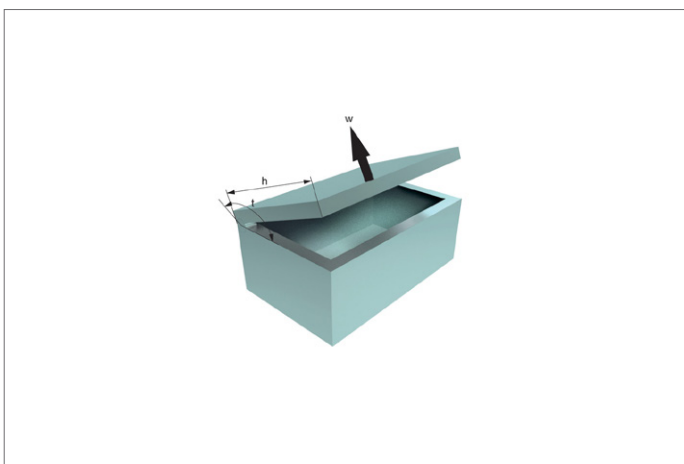
Provide smooth and quiet motion of lids, covers etc. Ideal for special purpose machines, air conditioning units etc.

#### Important Notes

##### Torque calculation:

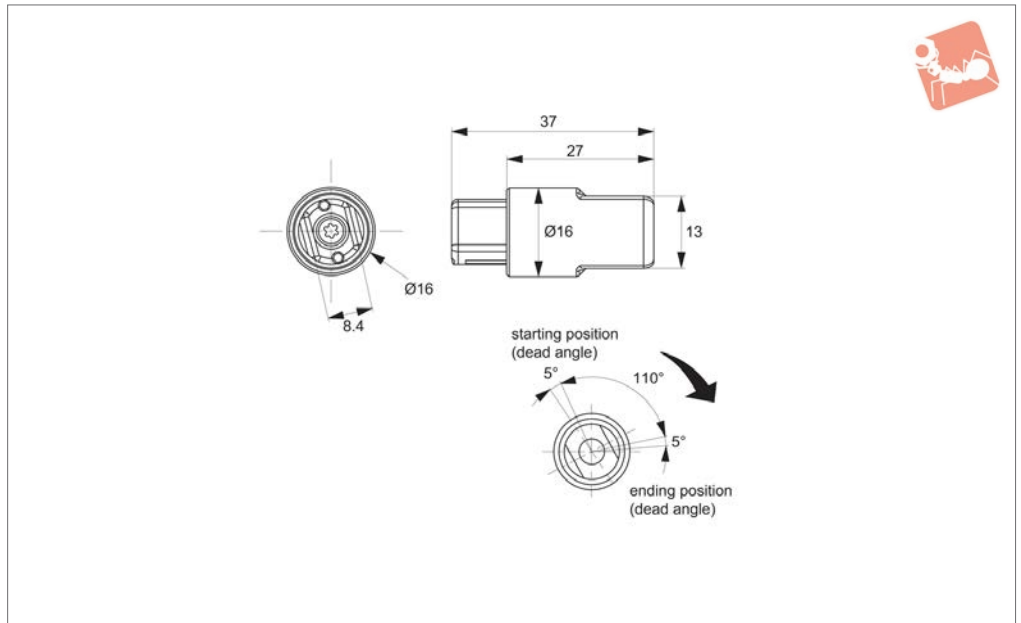
$T \text{ (Kgf.cm)} = W \text{ (Kg)} \times 0.5 \times H \text{ (cm)}$ .  
W (Kg) is weight of cover/lid, H (cm) is distance between fulcrum and cover/lid's opening edge.

Order No.	Type	Shaft colour	Operating angle	Torque kgf/cm	Torque colour marking	Weight g
Q0420.AW0010	Anti-Clockwise	White	120°	10,2 - 17,3	Green	16
Q0420.AW0020	Anti-Clockwise	White	120°	17,3 - 25,5	Black	16
Q0420.AW0110	Clockwise	Grey	120°	10,2 - 17,3	Green	16
Q0420.AW0120	Clockwise	Grey	120°	17,3 - 25,5	Black	16





## Q0422



### Material

Body: stainless steel, AISI 304.  
 Shaft: POM plastic. White for anti-clockwise version, black for clockwise version.  
 Oil: silicone oil.

### Tips

Provides smooth and quiet motion of lids, covers etc. Ideal for special purpose machines, air conditioning units etc.

### Important Notes

Rated torques measured at rotation speed

of 20rpm, at 23°C.  
 Values ±20%.  
 Max. rotation speed 50rpm.  
 Max. cycle rate 10 cycle/min.  
 Operating temperature, -5° to 50°C.  
 Design tested to 50,000 cycles.

### Torque calculation:

$T(\text{Kg.cm}) = W(\text{Kg}) \times H(\text{cm}) \times 9.8/2$ .  
 W(Kg) is weight of cover/lid, H(cm) is distance between fulcrum and cover/lid's opening edge.

Q0422 is designed to generate a large torque just before a lid, closing from a vertical position; comes to full closure. See diagram a.

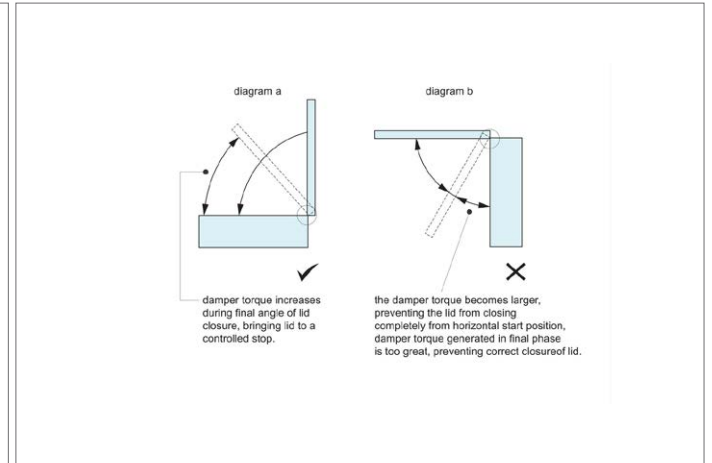
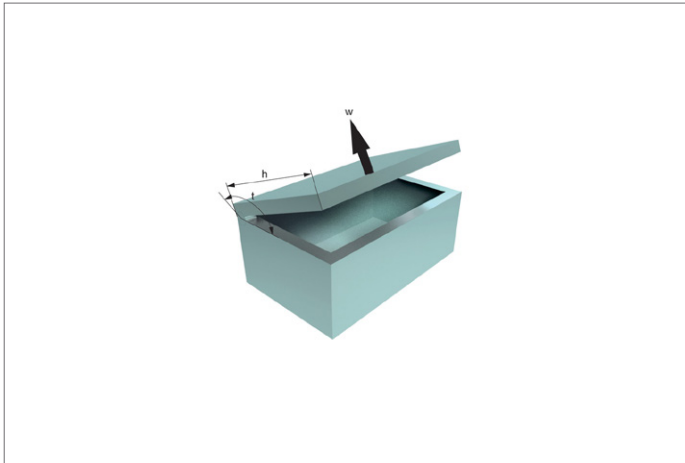
Q0422 should not be used for a lid closing from a horizontal start position, as the damper torque generated, just prior to closing, is too great causing the lid not to fully close. See diagram b.

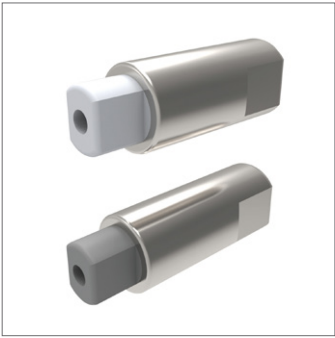
Order No.	Damping direction	Shaft colour	Operating angle	Torque kgf	Weight g
Q0422.AW0110	Clockwise	Black	110°	10	14
Q0422.AW0010	Anti-clockwise	White	110°	10	14
Q0422.AW0120	Clockwise	Black	110°	20	14
Q0422.AW0020	Anti-clockwise	White	110°	20	14
Q0422.AW0130	Clockwise	Black	110°	30	14
Q0422.AW0030	Anti-clockwise	White	110°	30	14



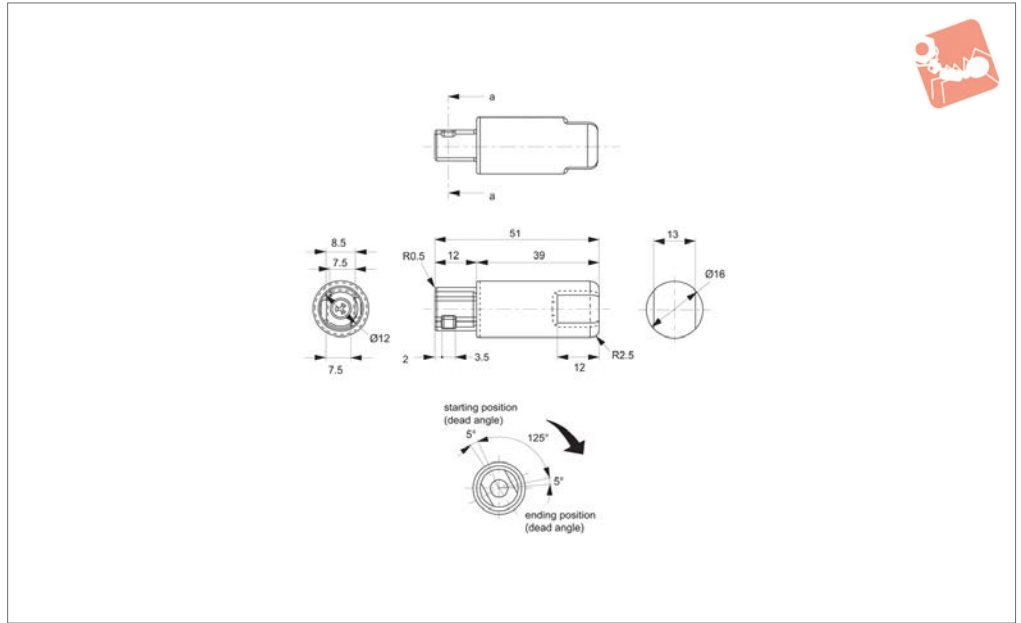
# Torque Dampers - Compact uni-directional - 110° operating angle

## Torque Dampers





## Q0430



### Material

Body: stainless steel, AISI 304.  
 Shaft: PBT plastic. White for anti-clockwise version, grey for clockwise version. Different torque forces marked by colour coded dot on shaft.

### Technical Notes

125° operating angle, additional 5° dead

angle at start/end position.  
 Tested to over 100,000 cycles.  
 Temperature range 0° to 40°C.

### Tips

Provide smooth and quiet motion of lids, covers etc. Ideal for special purpose machines, air conditioning units etc.

### Important Notes

#### Torque calculation:

$$T \text{ (Kgf.cm)} = W \text{ (Kg)} \times 0.5 \times H \text{ (cm)}$$

W (Kg) is weight of cover/lid, H (cm) is distance between fulcrum and cover/lid's opening edge.

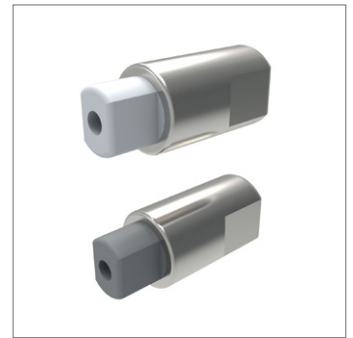
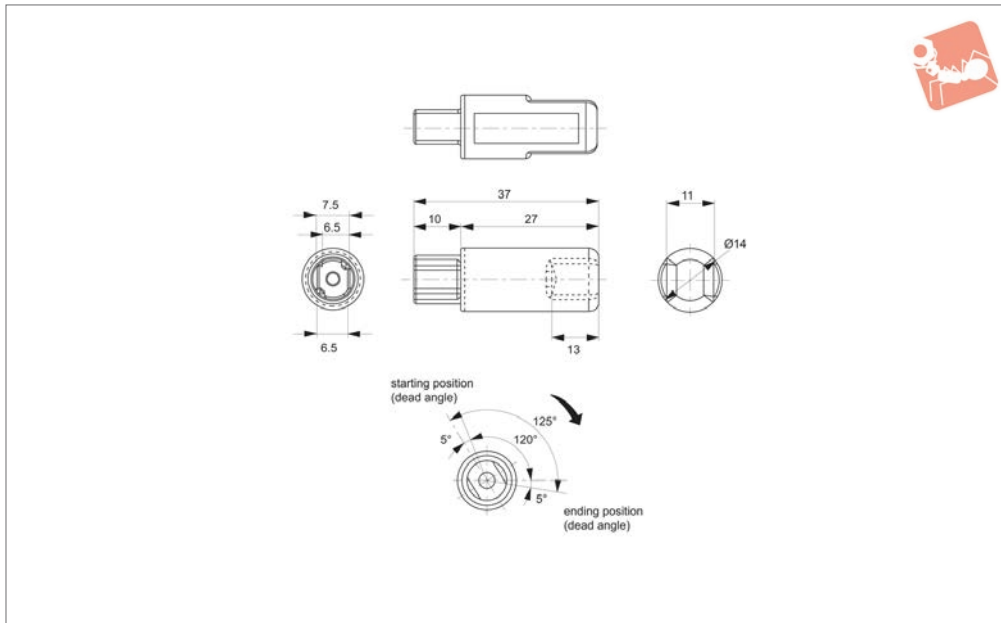
Order No.	Type	Shaft colour	Operating angle	Torque colour marking	Damping torque kgf/cm	Weight g
Q0430.AC0010	Anti-Clockwise	White	125°	Blue	20,4 - 26,5	20
Q0430.AC0020	Anti-Clockwise	White	125°	Red	24,5 - 30,6	20
Q0430.AC0110	Clockwise	Grey	125°	Blue	20,4 - 26,5	20
Q0430.AC0120	Clockwise	Grey	125°	Red	24,5 - 30,6	20





# Torque Dampers - Compact uni-directional - 120° operating angle

# Torque Dampers



## Q0440

TORQUE DAMPERS

### Material

Body: stainless steel, AISI 304. Shaft: PBT plastic. White for anti-clockwise version, grey for clockwise version. Different torque forces marked by colour coded dot on shaft.

### Technical Notes

120° operating angle, additional 5° dead

angle at start/end position.  
Tested to over 100,000 cycles.  
Temperature range 0° to 40°C.

### Tips

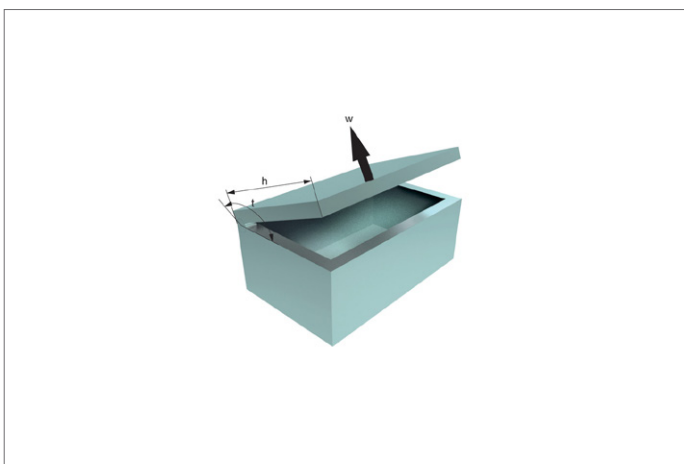
Provide smooth and quiet motion of lids, covers etc. Ideal for special purpose machines, air conditioning units etc.

### Important Notes

#### Torque calculation:

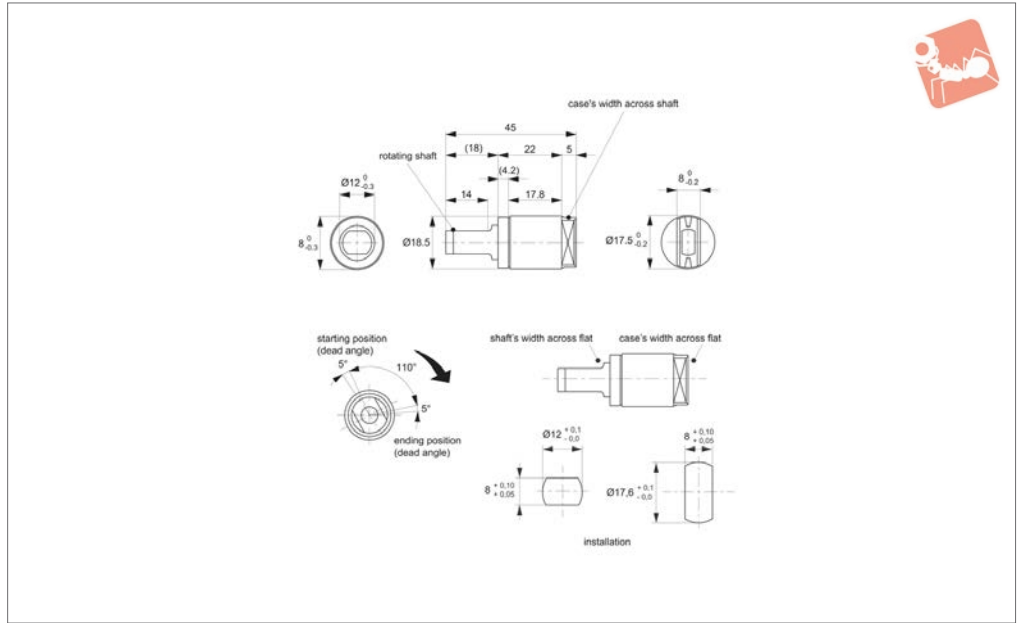
$T \text{ (Kgf.cm)} = W \text{ (Kg)} \times 0.5 \times H \text{ (cm)}$ .  
W (Kg) is weight of cover/lid, H (cm) is distance between fulcrum and cover/lid's opening edge.

Order No.	Type	Shaft colour	Operating angle	Torque colour marking	Torque Ncm	Weight g
Q0440.AC0010	Anti-Clockwise	White	120°	Blue	8,2 - 15,3	10
Q0440.AC0020	Anti-Clockwise	White	120°	Red	15,3 - 25,5	10
Q0440.AC0110	Clockwise	Grey	120°	Blue	8,2 - 15,3	10
Q0440.AC0120	Clockwise	Grey	120°	Red	15,3 - 25,5	10





## Q0460



### Material

Body: polybutylene terephthalate (PBT).  
 Shaft: polybutylene sulphide (PPS). White for anti-clockwise version, black for clockwise version.  
 Oil: silicone oil.

### Tips

Provides smooth and quiet motion of lids, covers etc. Ideal for special purpose machines, air conditioning units etc.

### Important Notes

Rated torques measured at rotation speed

of 20rpm, at 23°C.  
 Values ±20%.  
 Max. rotation speed 50rpm.  
 Max. cycle rate 10 cycle/min.  
 Operating temperature, -5° to 50°C.  
 Design tested to 50,000 cycles.

### Torque calculation:

$T(\text{Kgf.cm}) = W(\text{Kg}) \times H(\text{cm}) \times 9.8/2$ .  
 W(Kg) is weight of cover/lid, H(cm) is distance between fulcrum and cover/lid's opening edge.

Q0460 is designed to generate a large torque just before a lid, closing from a vertical position; comes to full closure. See diagram a.

Q0460 should not be used for a lid closing from a horizontal start position, as the damper torque generated, just prior to closing, is too great causing the lid not to fully close. See diagram b.

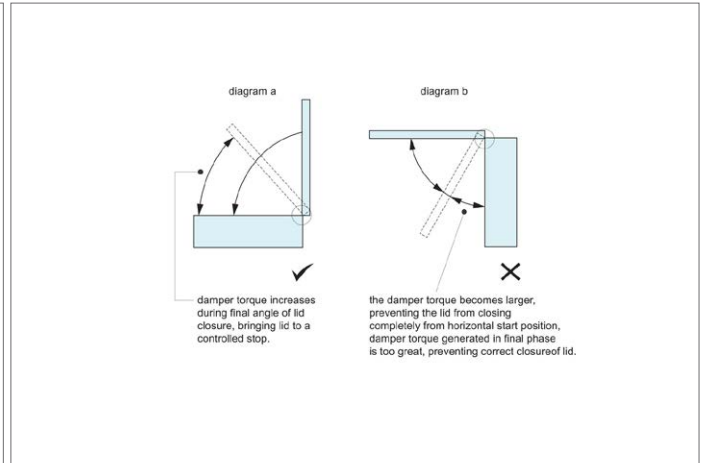
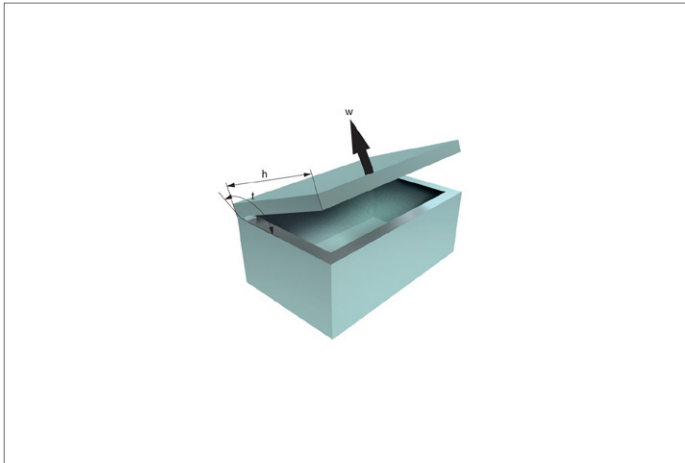
Order No.	Damping direction	Shaft colour	Operating angle	Damping torque kgf/cm	Return damping torque kgf/cm	Weight g
Q0460.AW0110	Clockwise	Black	110°	10	3	10
Q0460.AW0010	Anti-clockwise	White	110°	10	3	10
Q0460.AW0115	Clockwise	Black	110°	15	5	10
Q0460.AW0015	Anti-clockwise	White	110°	15	5	10
Q0460.AW0118	Clockwise	Black	110°	18	8	10
Q0460.AW0018	Anti-clockwise	White	110°	18	8	10





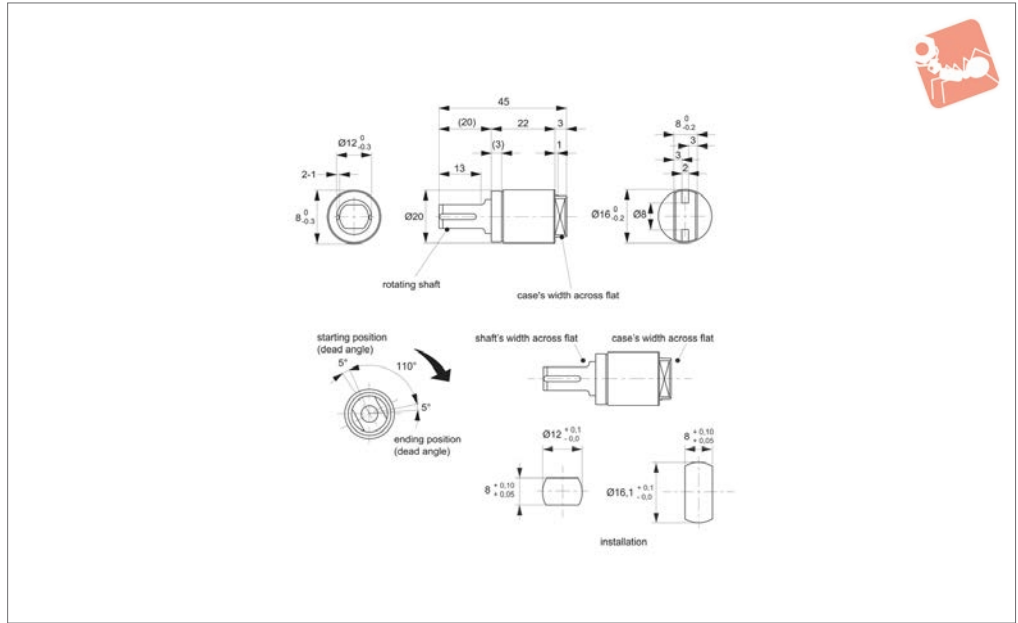
# Torque Dampers - Compact uni-directional - 110° operating angle

## Torque Dampers





## Q0462



### Material

Body: polybutylene terephthalate (PBT).  
 Shaft: polybutylene sulphide (PPS). White for anti-clockwise version, black for clockwise version.  
 Oil: silicone oil.

### Tips

Provides smooth and quiet motion of lids, covers etc. Ideal for special purpose machines, air conditioning units etc.

### Important Notes

Rated torques measured at rotation speed

of 20rpm, at 23°C. Values ±20%. Max. rotation speed 50rpm. Max cycle rate 10 cycle/min. Operating temperature, -5° to 50°C. Design tested to 50,000 cycles. Meets RoHS standards.

### Torque calculation:

$T(\text{Kgf.cm}) = W(\text{Kg}) \times H(\text{cm}) \times 9.8/2$ .  
 W(Kg) is weight of cover/lid, H(cm) is distance between fulcrum and cover/lid's opening edge.

Q0462 is designed to generate a large

torque just before a lid, closing from a vertical position; comes to full closure. See diagram a.

Q0462 should not be used for a lid closing from a horizontal start position, as the damper torque generated, just prior to closing, is too great causing the lid not to fully close. See diagram b.

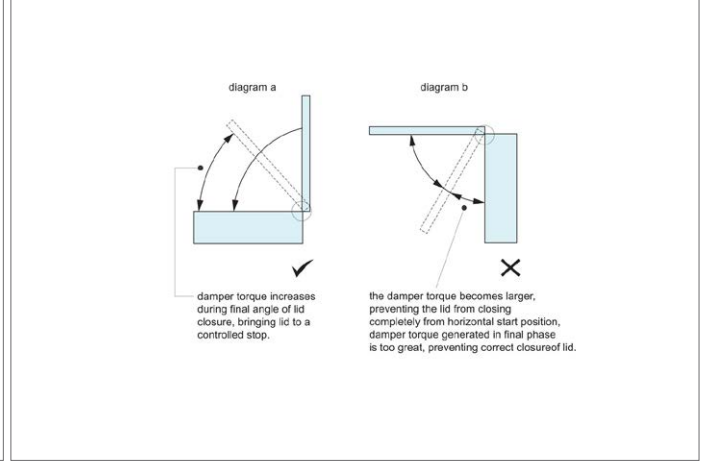
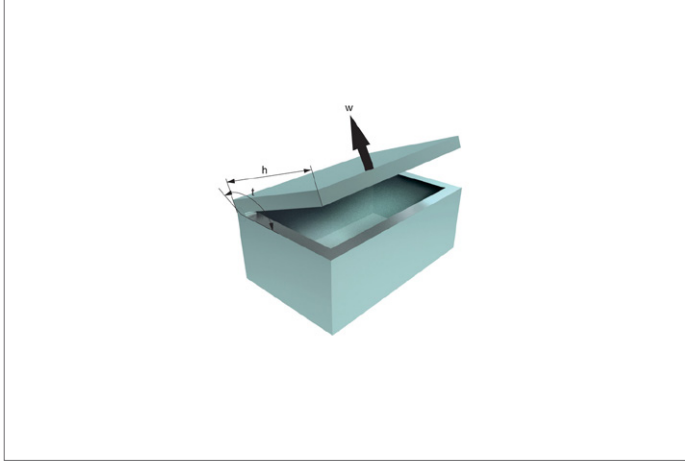
Order No.	Damping direction	Shaft colour	Operating angle	Damping torque kgf/cm	Return damping torque kgf/cm	Weight g
Q0462.AW0110	Clockwise	Black	110°	10	2	12
Q0462.AW0010	Anti-clockwise	White	110°	10	2	12
Q0462.AW0120	Clockwise	Black	110°	20	4	12
Q0462.AW0020	Anti-clockwise	White	110°	20	4	12
Q0462.AW0130	Clockwise	Black	110°	30	8	12
Q0462.AW0030	Anti-clockwise	White	110°	30	8	12



# Torque Dampers - Compact

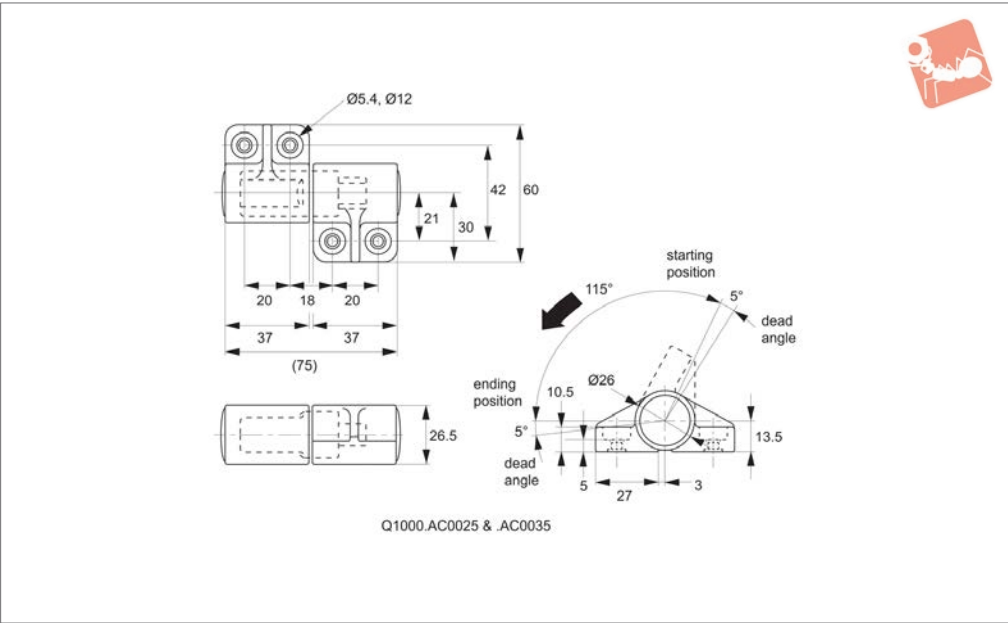
with keyway - uni-directional - 110° operating

# Torque Dampers





## Q1000



### Material

Body: stainless steel, AISI 304.  
Pin: PBT plastic. Bracket: PBT plastic with polypropylene cap.

### Technical Notes

115° operating angle, additional 5° dead angle at start/end position.  
Tested to over 100,000 cycles.

Temperature range -20° to 60°C.

### Tips

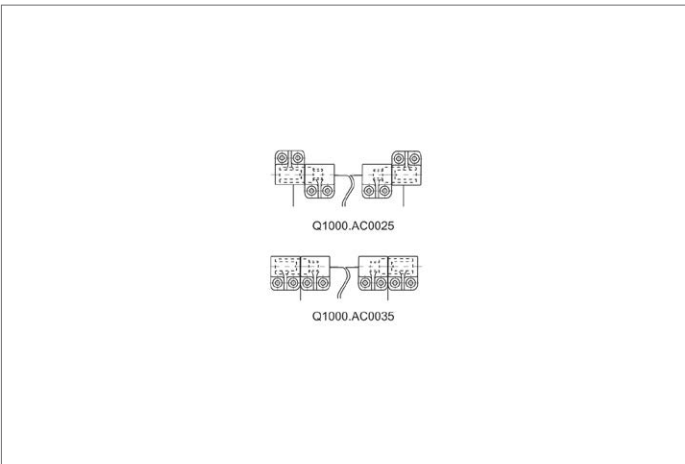
Provide smooth and quiet motion of lids, covers etc. Ideal for special purpose machines, air conditioning units etc.  
For further details of torque damper used in hinge refer to part Q0400.  
Sold as a matching pair (left/right).

### Important Notes

#### Torque calculation:

$T \text{ (Kgf.cm)} = W \text{ (Kg)} \times 0.5 \times H \text{ (cm)}$ .  
W (Kg) is weight of cover/lid, H (cm) is distance between fulcrum and cover/lid's opening edge.

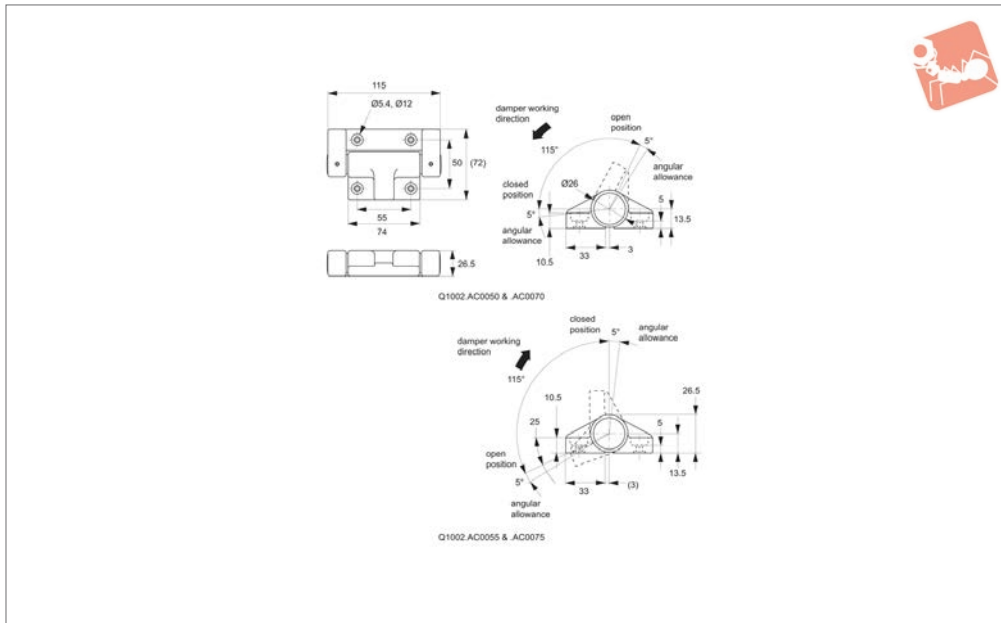
Order No.	Damping direction	Contains damper	Operating angle	Torque/pair kgf/cm
<b>Q1000.AC0025</b>	1 x Clockwise 1 x Anti-Clockwise	1 off Q0400.AC0010 & Q0400.AC0110	115°	30 - 50
<b>Q1000.AC0035</b>	1 x Clockwise 1 x Anti-Clockwise	1 off Q0400.AC0020 & Q0400.AC0120	115°	50 - 70





# Soft Closing Hinge - Complete with torque dampers - 115° operating angle

## Torque Dampers



**Q1002**

TORQUE DAMPERS

### Material

Body: stainless steel, AISI 304. Pin: PBT plastic.

Bracket: PBT plastic with polypropylene cap.

### Technical Notes

115° operating angle, additional 5° dead angle at start/end position.

Tested to over 100,000 cycles.  
Temperature range -20° to 60°C.

### Tips

Provide smooth and quiet motion of lids, covers etc. Ideal for special purpose machines, air conditioning units etc. For further details of torque damper used in hinge refer to part Q0400.

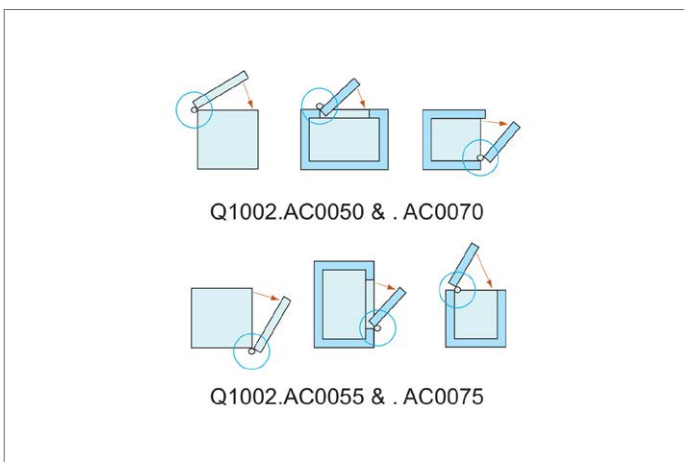
Sold as individual piece.

### Important Notes

#### Torque calculation:

$T \text{ (Kgf.cm)} = W \text{ (Kg)} \times 0.5 \times H \text{ (cm)}$ .  
W (Kg) is weight of cover/lid, H (cm) is distance between fulcrum and cover/lid's opening edge.

Order No.	Damping direction	Contains damper	Damping action	Operating angle	Torque/pair kgf/cm
<b>Q1002.AC0050</b>	Anti-Clockwise	1 off Q0400.AC0010 & Q0400.AC0110	Closing	115°	60 - 100
<b>Q1002.AC0055</b>	Anti-Clockwise	1 off Q0400.AC0010 & Q0400.AC0110	Opening	115°	60 - 100
<b>Q1002.AC0070</b>	Clockwise	1 off Q0400.AC0020 & Q0400.AC0120	Closing	115°	100 - 140
<b>Q1002.AC0075</b>	Clockwise	1 off Q0400.AC0020 & Q0400.AC0120	Opening	115°	100 - 140

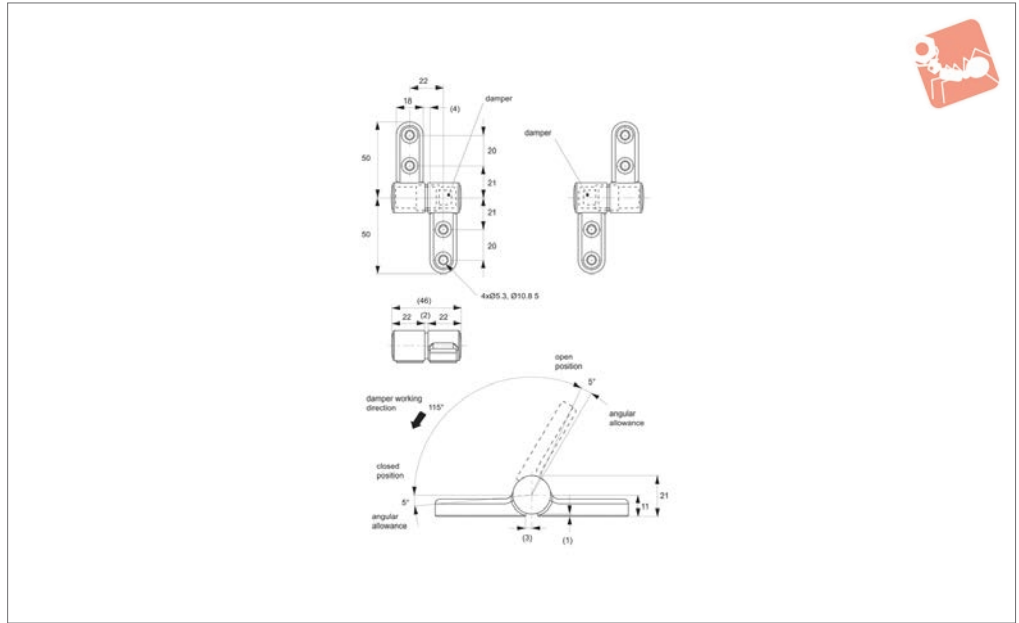




TORQUE DAMPERS



## Q1010



### Material

Body: stainless steel, AISI 316.

### Technical Notes

Soft closing damper hinge prevents lids from slamming shut. 115° operating , additional 5° dead angle at start/end posi-

tion. Temperature range 0° to 40°C.

### Tips

For further details of torque damper used in hinge refer to part Q0440. Sold as a matching pair (left/right).

### Important Notes

#### Torque calculation:

$T \text{ (Kgf.cm)} = W \text{ (Kg)} \times 0.5 \times H \text{ (cm)}$ .  
 W (Kg) is weight of cover/lid, H (cm) is distance between fulcrum and cover/lid's opening edge.

### Order No.

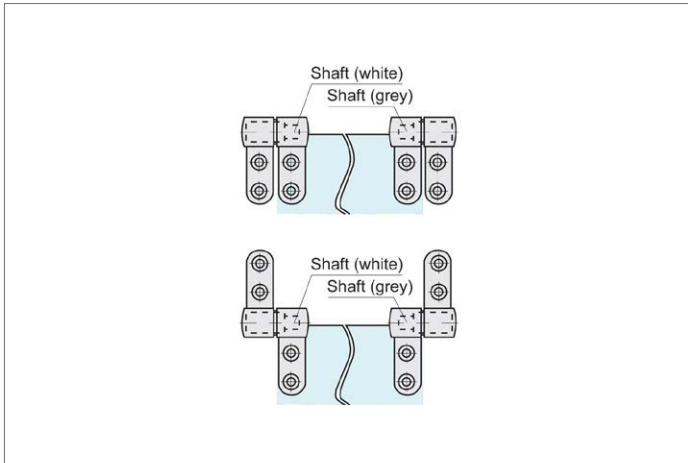
Q1010.AC0050

### Contains damper

1 off Q0440.AC0010 & Q0440.AC0110

### Torque/pair

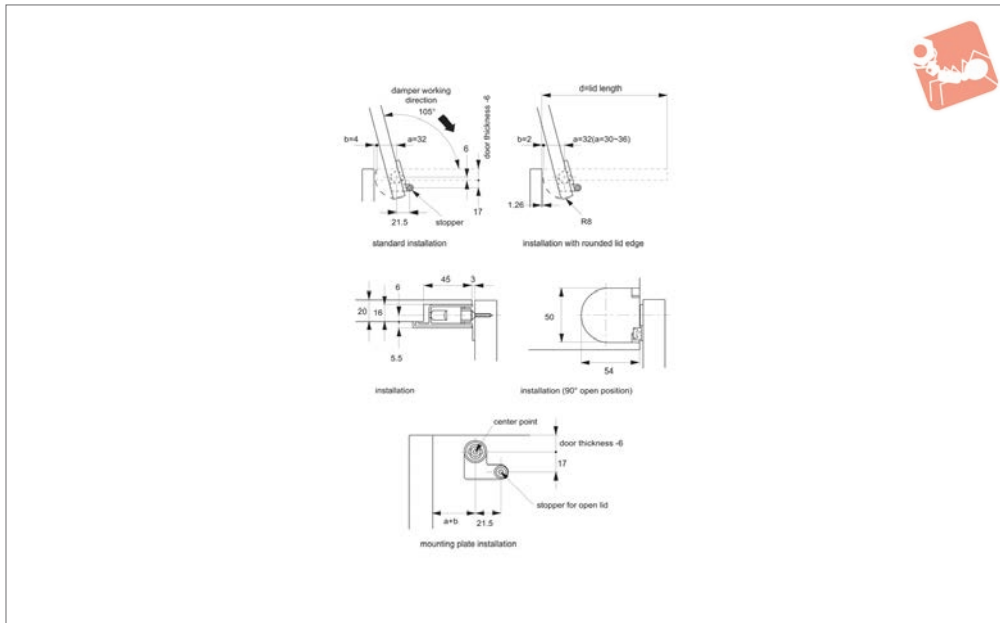
kgf/cm  
30 - 51





# Soft Closing Hinge Set - Complete with torque dampers - 115° operating angle

## Torque Dampers



**Q1050**

TORQUE DAMPERS

### Material

Hinge mounting plate: aluminium, black.  
Hinge bracket: polyacetal, black.  
Face plate: ABS plastic, black or white finish.

### Technical Notes

Soft closing damper hinge prevents lids

from slamming shut. 115° operating angle, additional 5° dead angle at start/end position. Temperature range 0° to 40°C.

### Tips

For further details of torque damper used in hinge refer to part Q0420.

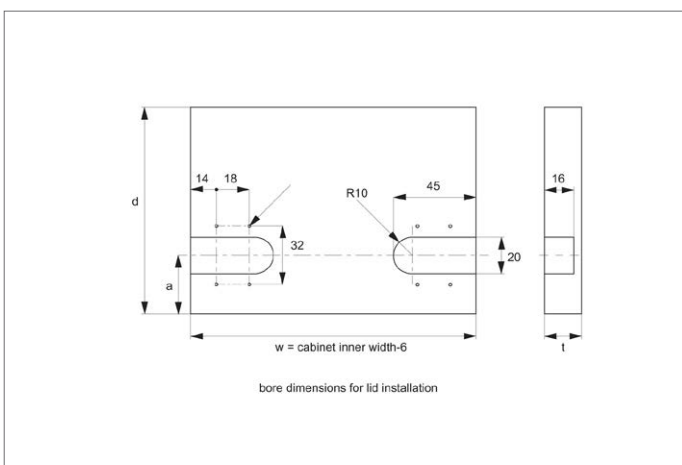
Sold as matching pair (left/right).

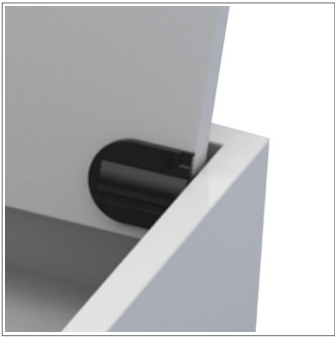
### Important Notes

#### Torque calculation:

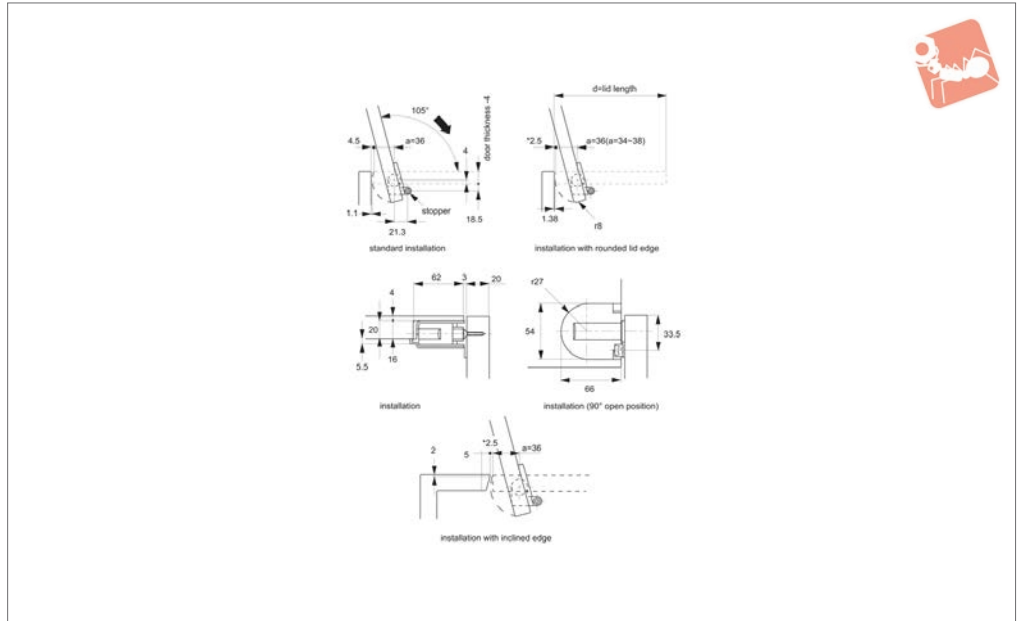
$T \text{ (Kgf.cm)} = W \text{ (Kg)} \times 0.5 \times H \text{ (cm)}$ .  
W (Kg) is weight of cover/lid, H (cm) is distance between fulcrum and cover/lid's opening edge.

Order No.	Type	Contains damper	Finish	Torque/pair kgf/cm	Weight/pair g
Q1050.AC0035	Hinge	1 off Q0420.AC0010 & Q420.AC0110	Black	20 - 34	91
Q1050.AC0050	Hinge	1 off Q0420.AC0020 & Q420.AC0120	Black	34 - 50	91
Q1050.AC9010	Face Plate	-	Black	-	12
Q1050.AC9020	Face Plate	-	White	-	12





**Q1060**



TORQUE DAMPERS

**Material**

Hinge mounting plate: aluminium, black.  
Hinge bracket: polyacetal, black.  
Face plate: ABS plastic, black or white finish.

**Technical Notes**

Soft closing damper hinge prevents lids from slamming shut. 115° operating

angle, additional 5° dead angle at start/end position. Temperature range 0° to 40°C.

Please note the hinge itself is black for both models. The cover plate is either black or white.

**Tips**

For further details of torque damper used

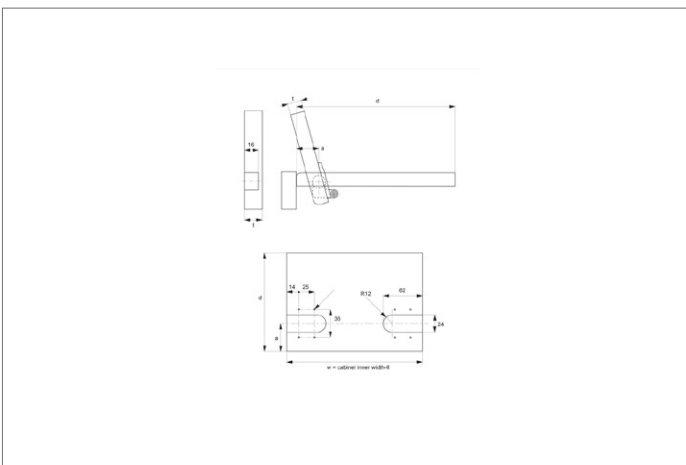
in hinge refer to part Q0420. Sold as matching pair (left/right).

**Important Notes**

**Torque calculation:**

$T \text{ (Kgf.cm)} = W \text{ (Kg)} \times 0.5 \times H \text{ (cm)}$ .  
W (Kg) is weight of cover/lid, H (cm) is distance between fulcrum and cover/lid's opening edge.

Order No.	Type	Contains damper	Finish	Torque/pair kgf/cm	Weight/pair g
<b>Q1060.AC0080</b>	Hinge	1 off Q0420.AC0010 & Q0420.AC0110	Black	61 - 81	103
<b>Q1060.AC0180</b>	Hinge	1 off Q0420.AC0010 & Q0420.AC0110	White	61 - 81	103







# Wixroyd Torque Dampers

with partial rotation angle

**Q0400 - Q1060**  
Rotary & Torque Dampers

Wixroyd torque dampers offer controlled opening and closing of lids, drawers, covers and much more, they provide a wide range of solutions for a variety of applications creating smooth movement and function.

Though unnoticed in many applications, torque dampers are a vital part of many products bringing quality, safety and durability. Torque dampers provide quality movement enhancing both touch and feel.

Torque dampers utilise the movement of fluid forced from one chamber to another via a rotor. Dampening speed is dependent upon the viscosity of the fluid and the diameter of the fluid aperture.

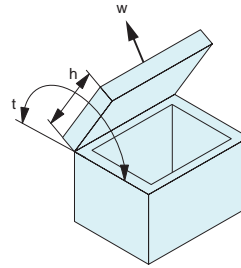
To calculate the torque for your application, the following measurements are necessary.

$$t (\text{torque}) = w \times 0.5 \times h$$

h = length from pivot point to end of lid (cm)

w = weight of the lid (Kg)

Torque force stated per product (see individual product pages), is the maximum torque to which the specified part can be exposed before the dampening force yields and hence dampening is overcome.



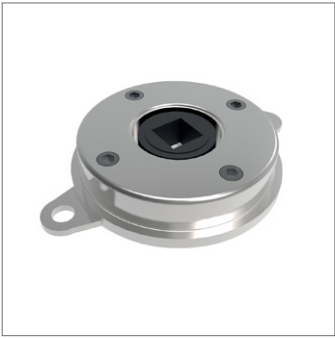
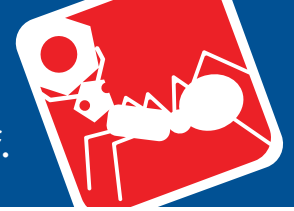
## Operating principle

## Torque calculation

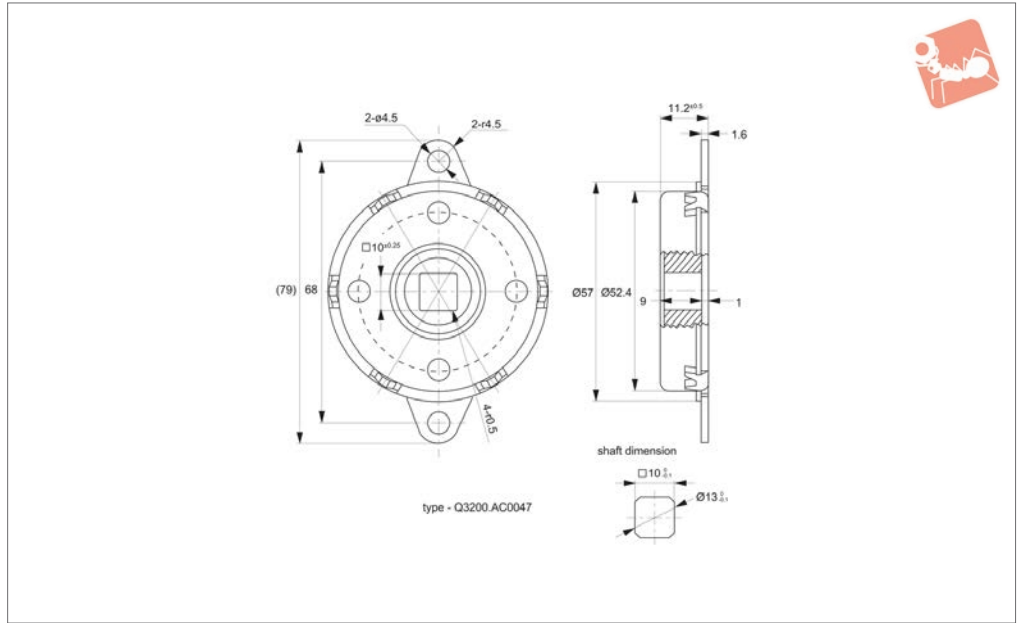
## Table of torque dampers: Torque ranges

Part no.	Torque damper range	Torque Kgf.cm	Torque Kgf.cm														
			10	20	30	40	50	60	70	80	90	100	110	120	130	140	150
	Q0400 	15 - 35															
	Q0420 	10 - 25															
	Q0422 	10 - 35															
	Q0430 	20 - 30															
	Q0440 	8 - 25															
	Q0460 	10 - 18															
	Q0462 	10 - 30															
	Q1000 	30 - 70															
	Q1002 	60 - 140															
	Q1010 	30 - 50															
	Q1050 	20 - 50															
	Q1060 	61 - 81															

ov-WQ0400-A-T-WQ1060-A-T-torque-dampers-rmh- Updated - 21-10-2022



## Q3200



### Material

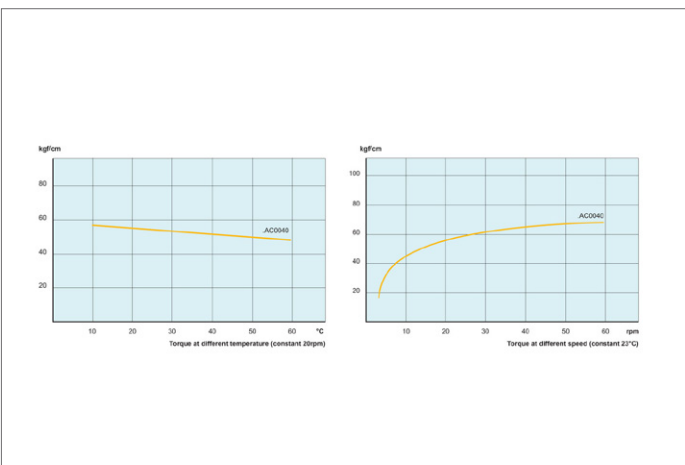
Body: iron (SPFC).  
 Shaft: nylon (with glass).  
 Oil: silicone.

Rotational speed 20rpm at 23°±3C°  
 Rotational speed 50rpm max.  
 Cycle rate 12 cycle/min.  
 Dampers are both clockwise and counter clockwise.  
 Damper can only take torque load.

### Important Notes

Temperature range -10° to 50°C.

Order No.	Damping torque Nm ±0.5	Damping direction	Weight g
Q3200.AC0020	2	Bi-directional	75
Q3200.AC0030	3	Bi-directional	75
Q3200.AC0040	4	Bi-directional	75
Q3200.AC0050	5	Bi-directional	75
Q3200.AC0060	6	Bi-directional	75
Q3200.AC0070	7	Bi-directional	75

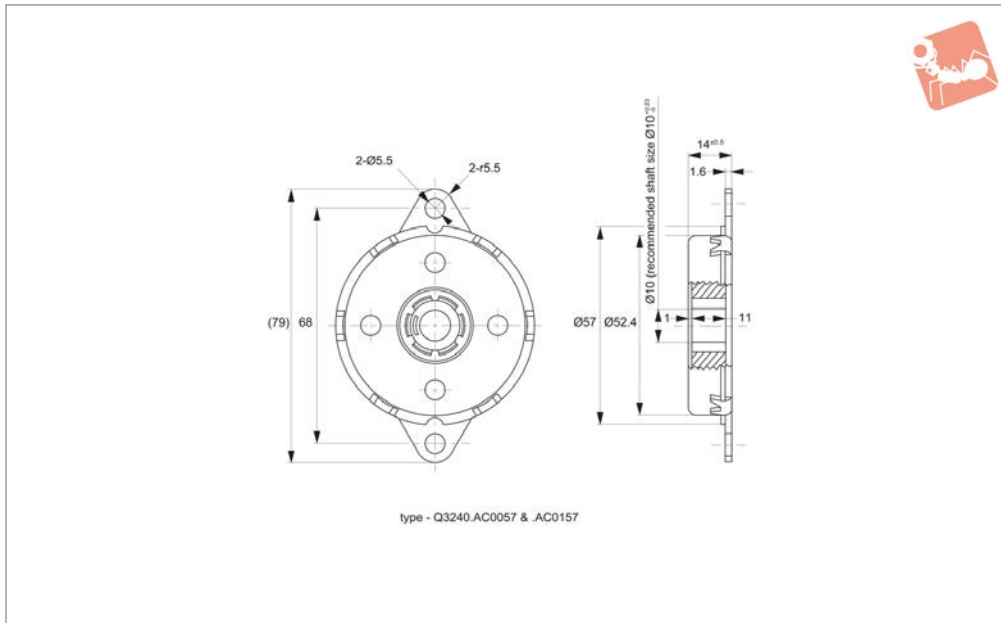




# Disk Dampers

uni-directional - continuous direction - up to 55

# Disk Dampers



## Q3240

DISK DAMPERS

### Material

Body: iron (SPFC).  
Shaft: nylon (with glass).  
Oil: silicone.

### Technical Notes

When inserting shaft, insert by rotating

shaft in opposite direction to the damping direction.  
Damper can only take torque load.

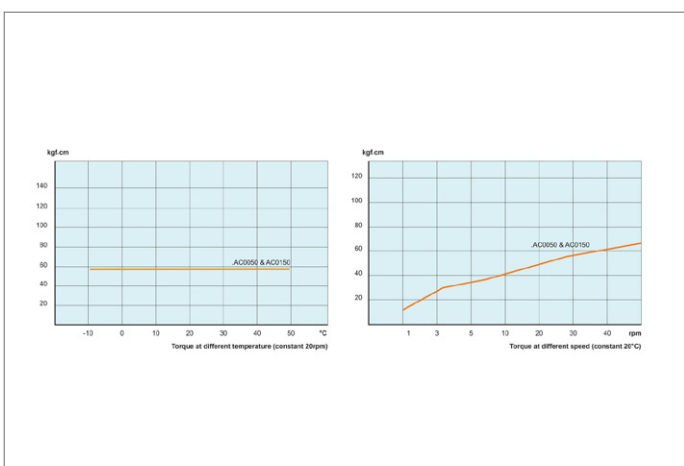
### Important Notes

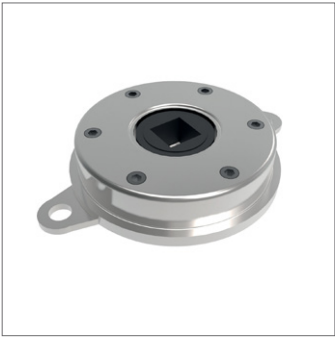
Temperature range -10° to 50°C.  
Rotational speed 20rpm at 23°±3°C.

Rotational speed 50rpm max.  
Cycle rate 12 cycle/min.

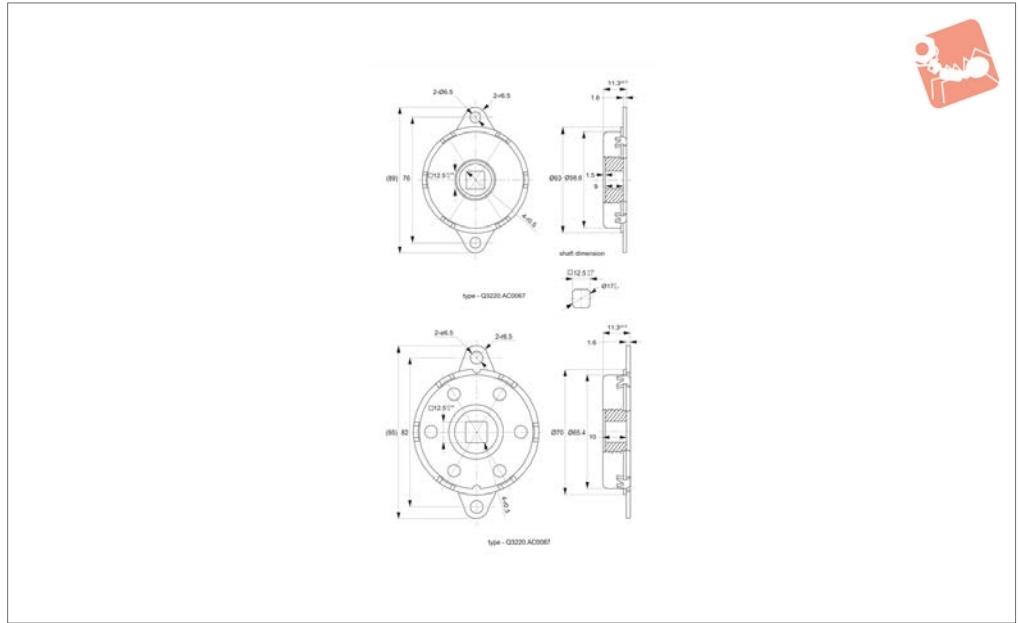
Dampers are both clockwise and counter clockwise.  
Shaft: recommended shaft size Ø10, hardness HRC55, roughness 1.02 or lower

Order No.	Damping torque Nm ±0.5	Damping direction	Weight g
Q3240.AC0040	4.0	Clockwise	94
Q3240.AC0140	4.0	Counter-clockwise	94
Q3240.AC0050	5.0	Clockwise	94
Q3240.AC0060	6.0	Clockwise	94
Q3240.AC0150	5.0	Counter-clockwise	94
Q3240.AC0160	6.0	Counter-clockwise	94
Q3240.AC0070	7.0	Clockwise	94
Q3240.AC0170	7.0	Counter-clockwise	94





## Q3220



### Material

Body: steel  
 Socket: nylon with glass fibre  
 Operating fluid: silicone oil.

### Tips

For graphs of torque at varying tempera-

ture and speed, see Torque Closing Speed Graphs earlier in this section.

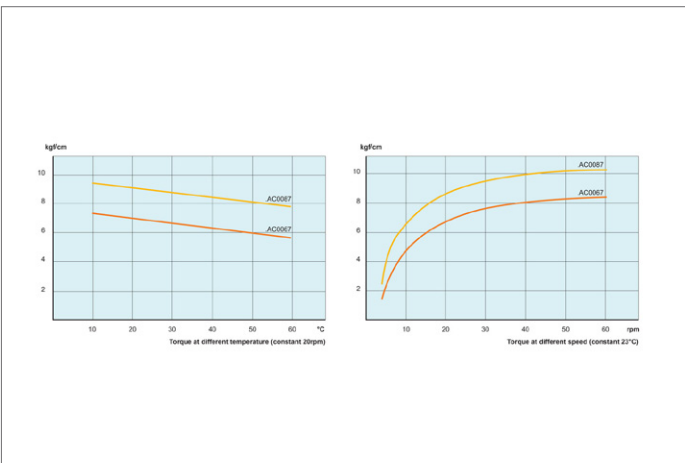
Damper can only take torque load.

### Important Notes

Temperature range -10°C to +50°C.  
 Rotational speed 50 rpm max.

Cycle rate 12 cycles/min.  
 External support for shaft required.

Order No.	Damping torque kgf/cm	Weight capacity kg max.	Weight g
Q3220.AC0067	67	0.12	92
Q3220.AC0087	87	0.12	112



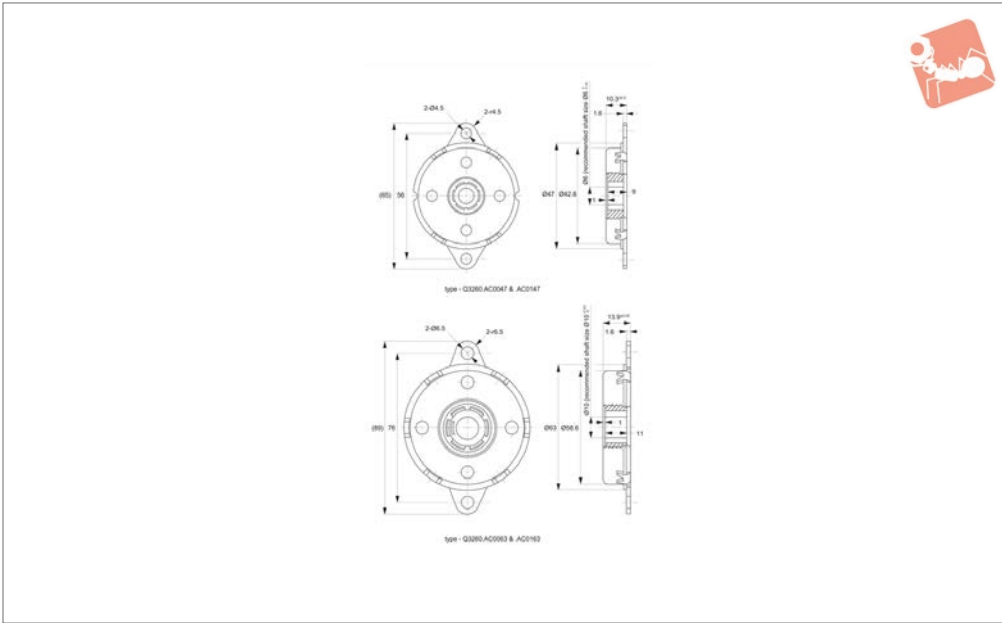


# Disk Dampers

uni-directional - continuous direction - up to 85



# Disk Dampers



**Q3260**

DISK DAMPERS

**Material**

Body: steel  
 Socket: nylon with glass fibre.  
 Operating fluid: silicone oil.

**Technical Notes**

Shaft specifications:  
 Min hardness - 55HRC (min 0.5mm depth).  
 Surface roughness - 1.0µm.

End chamfering - R0.2/R0.3.

**Tips**

**For graphs of torque at varying temperature and speed, see Torque Closing Speed Graphs earlier in this section.**

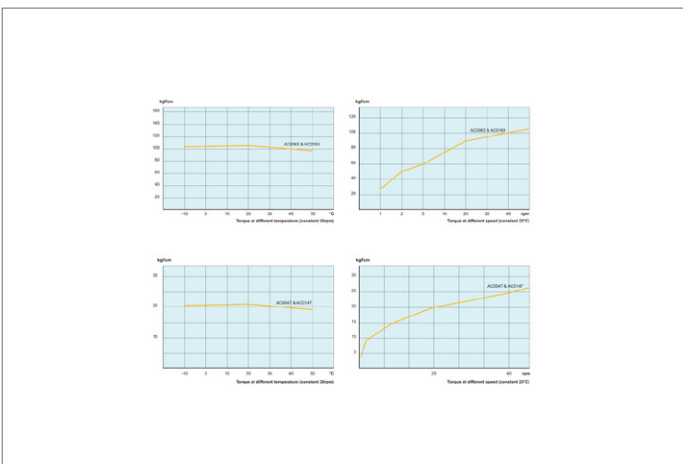
When inserting shaft, insert by rotating shaft in the opposite direction of the dampening direction.

Damper can only take torque load.

**Important Notes**

Temperature range -10°C to +50°C.  
 Rotational speed 50rpm max.  
 Cycle rate 12 cycles/ min.  
 External support for shaft required.

Order No.	Damping direction	Damping torque kgf/cm	For shaft dia. mm 0 -0.03	Weight capacity kg max.	Weight g
<b>Q3260.AC0047</b>	Clockwise	20	6	0.12	55
<b>Q3260.AC0147</b>	Counter Clockwise	20	6	0.12	55
<b>Q3260.AC0063</b>	Clockwise	85	10	0.12	115
<b>Q3260.AC0163</b>	Counter Clockwise	85	10	0.12	115

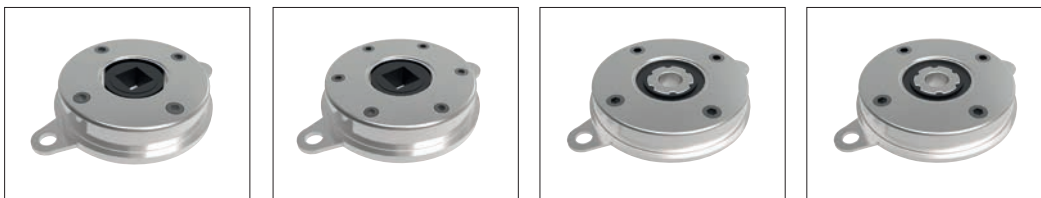




## Solution for controlled opening and closing motion

Wixroyd disk dampers offer controlled opening and closing of lids, drawers, covers and much more, they provide a range of solutions for a variety of applications creating smooth movement and function. Though unnoticed in many applications, disk dampers are a vital part of many products bringing quality, safety and durability.

Disk dampers provide quality movement enhancing both touch and feel. Available in uni-directional (single) dampening, or bi-directional (double) version.



## Disk dampers

### Introduction

Disk dampers utilise the principle of fluid resistance to reduce the speed of moving parts. The oil viscosity is utilised to provide the “braking force” of the damper. The torque or “braking force” can be adjusted by changing the viscosity of the oil.

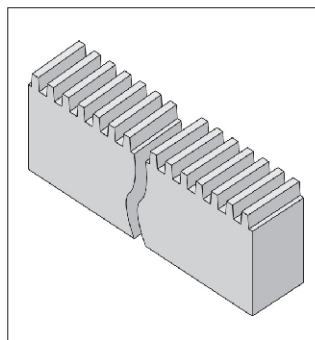
### Applications

- Loading trays for CD, DVD, VCR, MD players.
- Arm rests, ashtrays, center consoles, glove boxes, handles and storage compartments in passenger vehicles.
- Camcorders, cellular phones and small personal devices.

### Operating principle and general specification

Disk dampers utilise the movement of fluid forced from one chamber to another via a rotor. Dampening speed is dependent upon the viscosity of the fluid and the diameter of the fluid aperture.

Through the use of toothed plastic rack no. Q3150, disk dampers can be used to dampen on a linear plane rather than the normal dampening directly at the shaft.



Part no.	Q3200 to Q3260
Max. speed	50rpm
Max. cycle rate	12 cycles/min
Nominal torque rating	At 20rpm, 23°C (73°F)
Operating temperature	-10 to 50°C (14 - 122°F)
Storage temperature	-20 to 60°C (-4 to 140°F)

### Torque calculation

**Note**  
Dampening direction is determined whilst looking directly onto the output shaft.

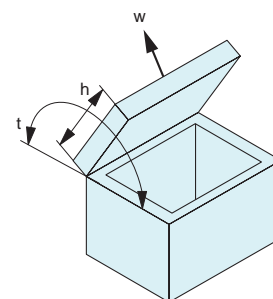
**Important**  
Avoid side loading of the disk damper output shaft in order to maximise effectiveness.

To calculate the torque for your application, the following measurements are necessary.

$$t \text{ (torque)} = w \times 0.5 \times h$$

h = length from pivot point to end of lid (cm)  
w = weight of the lid (Kg)

Torque force stated per product (see individual product pages), is the maximum torque to which the specified part can be exposed before the dampening force yields and hence dampening is overcome.



**Important note:** Once calculation has been made choose a disk damper from our range which can accommodate the newly calculated torque of the application. Use the damper closing speed graphs opposite to confirm that the rpm given at the corresponding torque value matches the desired lid closing speed. If the desired rpm is beyond the capacity of the selected damper, then select another damper with a higher torque rating and re-test. If the rpm is too slow select another damper with a lower torque rating and re-test.



# Disk Dampers

## torque closing speed graphs

# Rotary & Torque Dampers

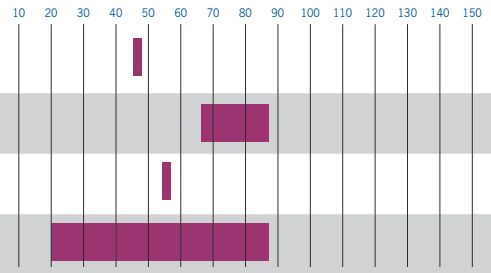
### Rotary dampers

Part no. Damping direction Torque Kgf/cm



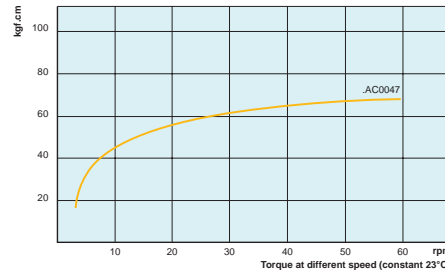
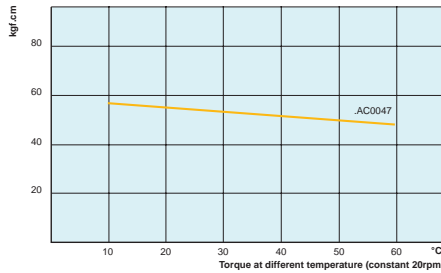
<b>Q3200</b>	Two way	47
<b>Q3220</b>	Two way	67 - 87
<b>Q3240</b>	One way	55
<b>Q3260</b>	One way	20 - 85

Torque Kgf/cm

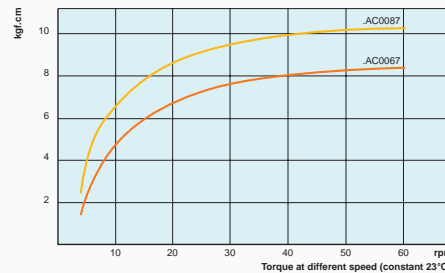
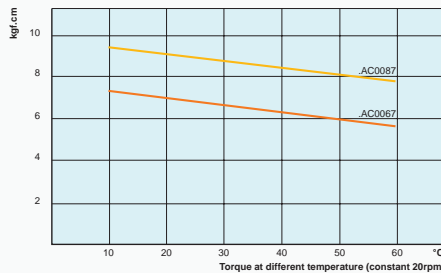


### Disk dampers

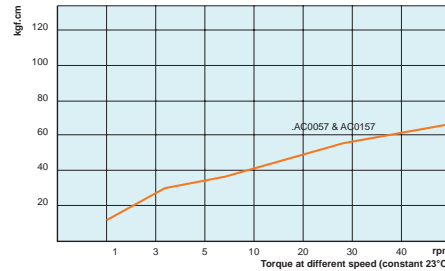
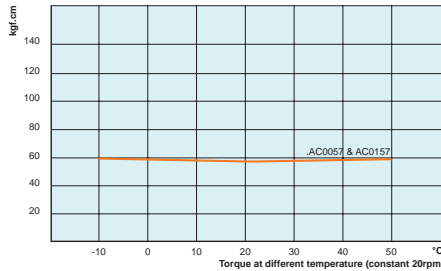
#### Q3200



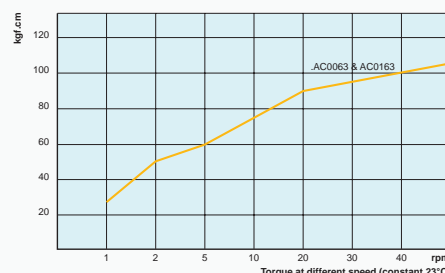
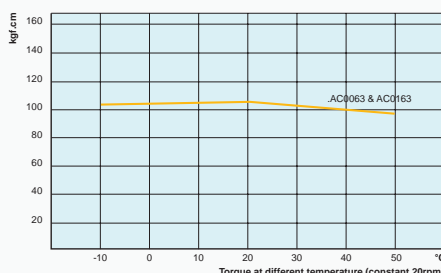
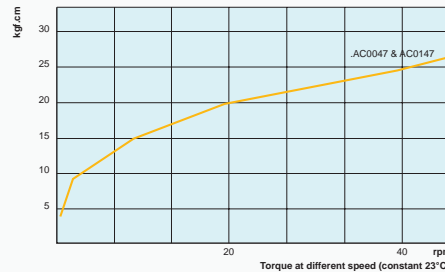
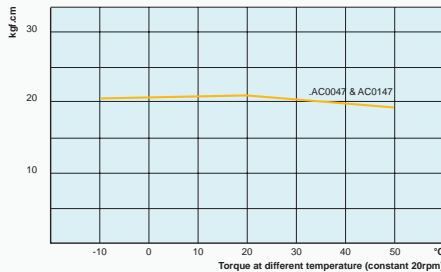
#### Q3220



#### Q3240



#### Q3260



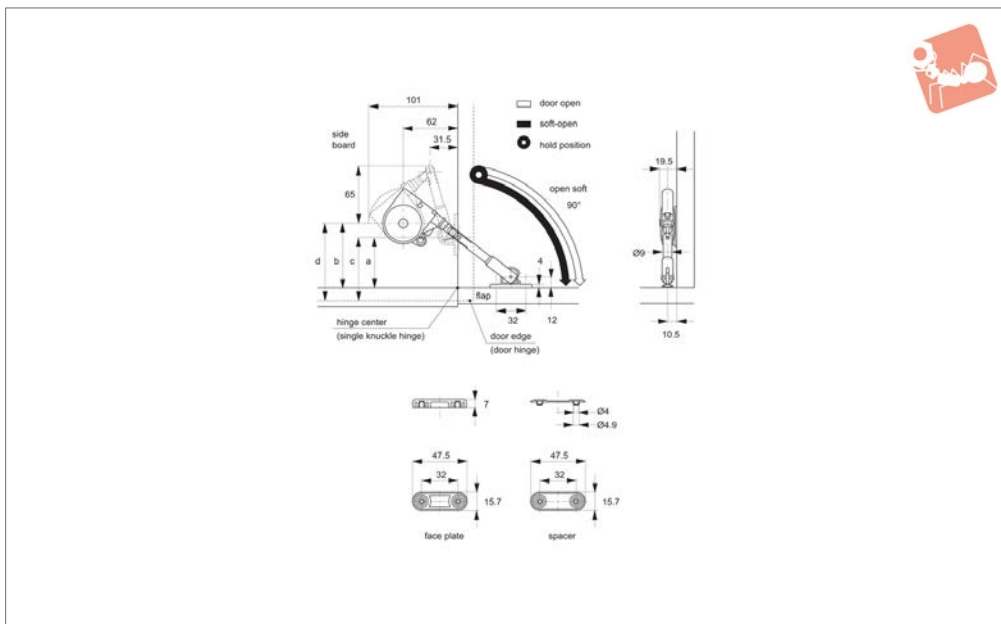
### Torque graphs for temperature and speed

Follow the torque calculation formula opposite and utilise the following torque closing speed graphs to ensure the selected disk damper best suits you application.

DISK DAMPERS



## N0060



### Material

Arm: zinc alloy, steel, bright nickel finish.  
 Body: plastic.  
 Mounting plate: zinc alloy, steel, bright nickel finish.

### Technical Notes

For use with lids which are downward opening, with single knuckle or drop hinges. Short arm makes this stay suitable for low height applications such as TV/DVD and Hi-fi applications. Designed to control speed at which a suitable lid opens, for smooth controlled motion. Opening angle of 90°. Temperature range

0° to 40°C.

„With catch“ type has catch to hold lid in closed position. „W/o catch“ type requires external catch, such as a magnetic or touch latch, to retain lid.

**Stay has sprung elbow section which must be released prior to closing lid - please take care not to catch fingers when handling.**

### Tips

Supplied with mounting plate. Please order coverplate, to your desired colour serately. Optional cover plates available for glass door applications, please order separately.

### Important Notes

For use with relatively light weight cabinet or furniture lids. Improper application, or use on a lid not within recommended size and load bearing value, may lead to stay being overcome and slamming of lid. Application must be within both the min. and max. load bearing value of the stay, see above table for load bearing capacity when using stays as single or in pairs.

### Check Load Bearing Value (T):

$T$  ( Load Bearing Value of stay Kg/cm) =  $1/2$  Door Height cm x Door Weight Kg.

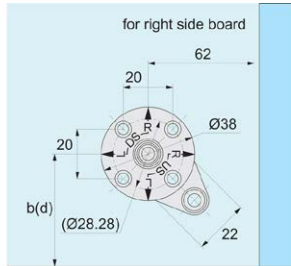
Order No.	Type	Colour	Acceptable load bearing single		Acceptable load bearing pair		Weight g
			kg/cm min.	kg/cm max.	kg/cm min.	kg/cm max.	
N0060.AC0010	W/o Catch	White	0,5	12,0	10	24	140
N0060.AC0020	W/o Catch	Black	0,5	12,0	10	24	140
N0060.AC0110	With Catch	White	0,5	12,0	10	24	140
N0060.AC0120	With Catch	Black	0,5	12,0	10	24	140



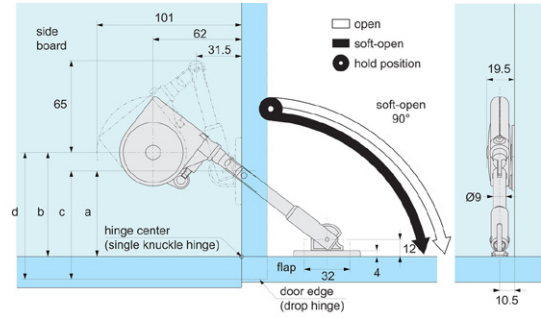


# Short Arm Soft-Opening Stays - for 90° opening angle - for TV/DVD and Hi-fi Cabinets

## Soft & Spring Stays



Mounting plate installation

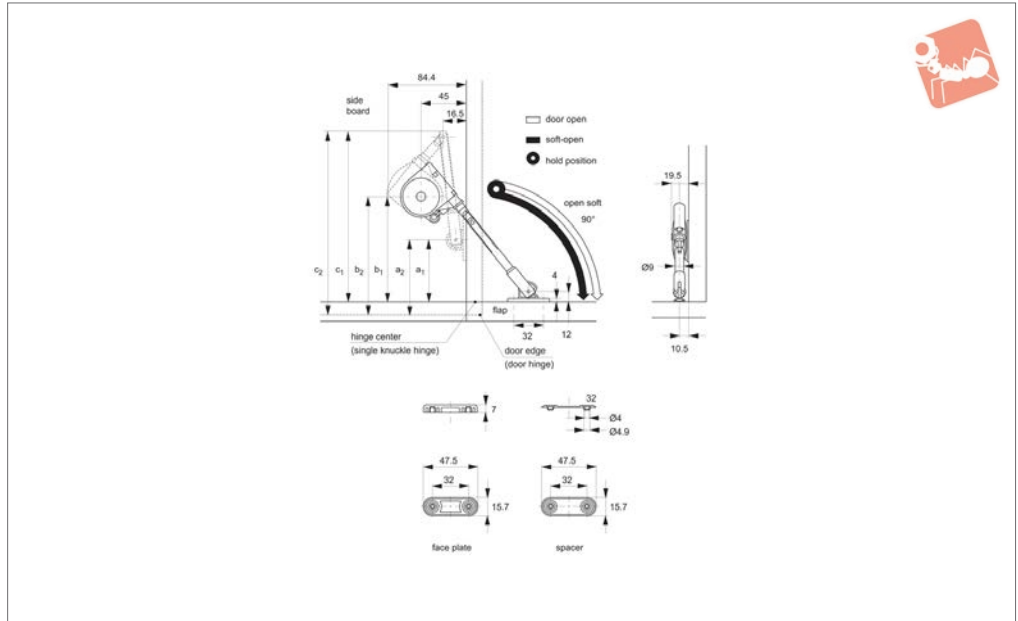


Soft down stay installation

SOFT & SPRING STAYS



## N0070



### Material

Arm: zinc alloy, steel, bright nickel finish.  
 Body: plastic.  
 Mounting plate: zinc alloy, steel, bright nickel finish.

### Technical Notes

For use with lids which are downward opening, with single knuckle or drop hinges. Longer arm for higher load bearing capacity applications. Designed to control speed at which a suitable lid opens, for smooth controlled motion. Opening angle of 90°. Temperature range

0° to 40°C.

Stay has an integrated catch to hold lid in closed position.

**Stay has a sprung elbow section which must be released prior to closing lid - please take care not to catch fingers when handling.**

### Tips

Supplied with mounting plate. Please order cover plate, to your desired colour separately. Optional cover plates available for glass door applications, please order separately.

### Important Notes

Improper application, or use on a lid not within recommended size and load bearing value, may lead to stay being overcome and slamming of lid. Application must be within both the min. and max. load bearing value of the stay, see above table for load bearing capacity when using stays as single or in pairs.

### Check Load Bearing Value (T):

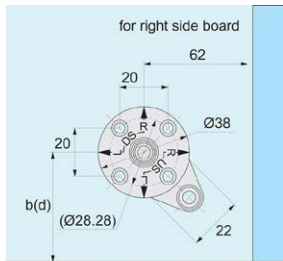
$T$  ( Load Bearing Value of stay Kg/cm ) =  $1/2$  Door Height cm x Door Weight Kg.

Order No.	Type	Colour	Acceptable load bearing single kg/cm min. max.	Weight g
N0070.AC0010	Stay	White	35 to 50	167
N0070.AC0020	Stay	Black	35 to 50	167

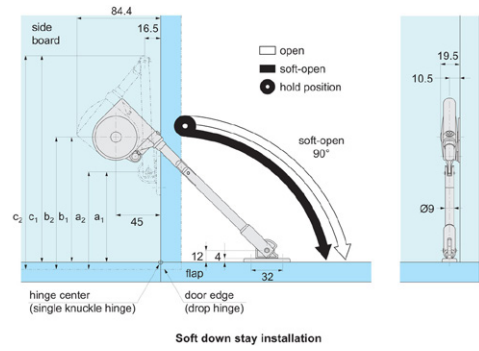


# Soft-Opening Stays - for Downward 90° opening angle

## Soft & Spring Stays



Mounting plate installation

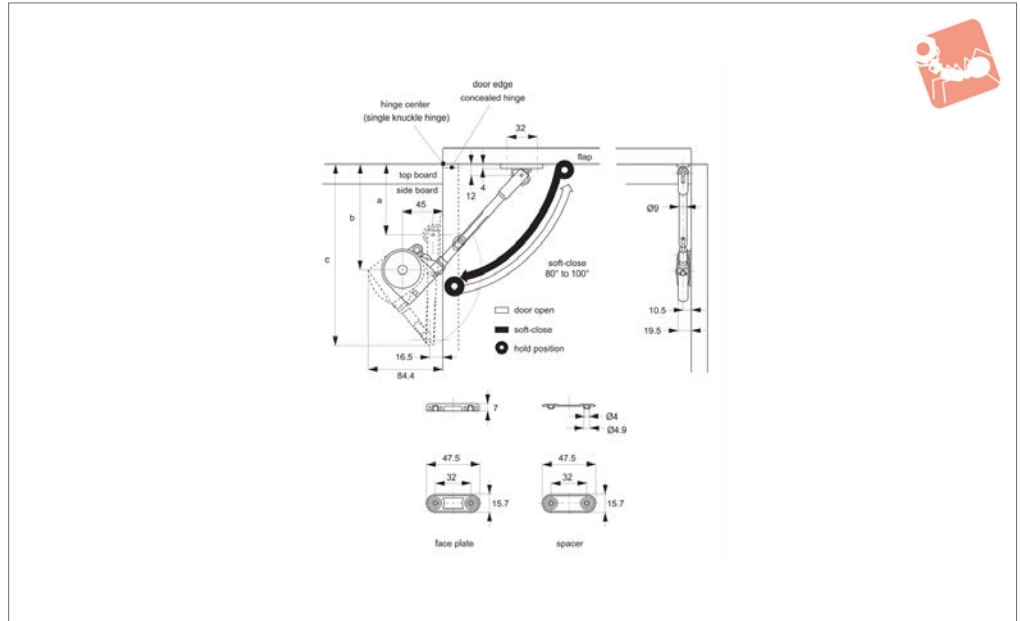


Soft down stay installation

SOFT & SPRING STAYS



## N0080



### Material

Arm: zinc alloy, steel, bright nickel finish.  
 Body: plastic.  
 Mounting plate: zinc alloy, steel, bright nickel finish.

### Technical Notes

For use with lids which are top opening, with concealed, piano or butt hinges.  
 Longer arm for higher load bearing capacity applications.  
 Designed to control speed at which a suitable lid closes and hence prevent lid slamming shut.  
 Opening angle of 90°. Temperature range 0° to 40°C.

Stay is designed to hold lid in fully open position.

**Stay has a sprung elbow section which must be released prior to closing lid - please take care not to catch fingers when handling.**

### Tips

Order mounting plate separately, for universal left and right hand application. Supplied with mounting plate. Please order cover plate, to your desired colour, separately.  
 Opening angle can be varied between 80° to 100° via change of mounting dimensions - see installation dimensions below.

### Important Notes

Improper application, or use on a lid not within recommended size and load bearing value, may lead to stay being overcome and slamming of lid. Application must be within both the min. and max. load bearing value of the stay, see above table for load bearing capacity when using stays as single or in pairs.

### Check Load Bearing Value (T) :

$$T \text{ ( Load Bearing Value of stay Kg/ cm )} = \frac{1}{2} \text{ Door Height cm x Door Weight Kg}$$

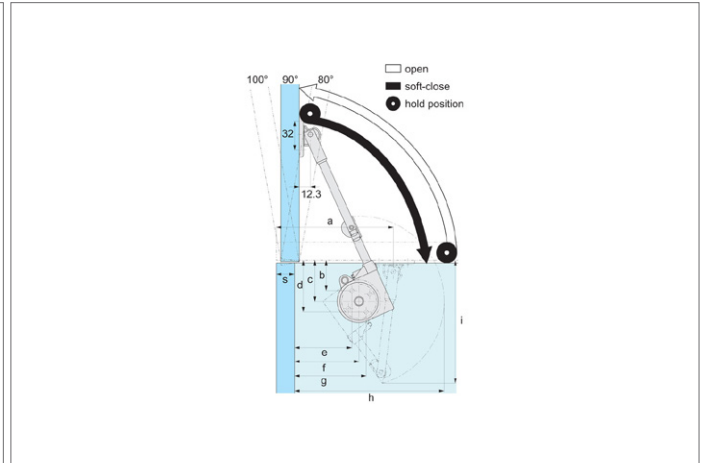
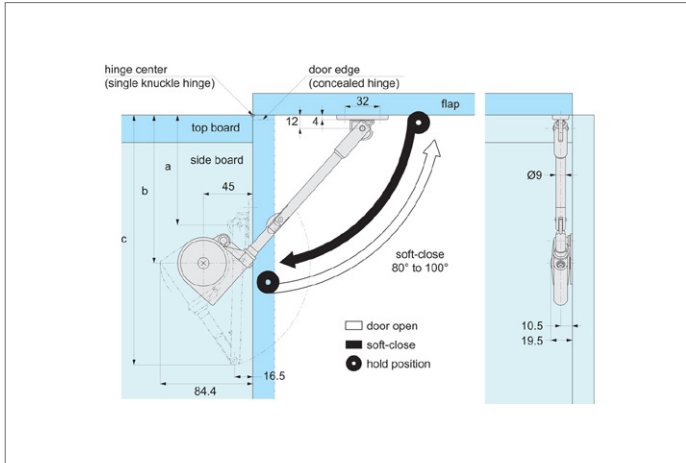
Order No.	Type	Colour	Acceptable load bearing single		Acceptable load bearing pair		Weight g
			min.	max.	min.	max.	
N0080.AC0010	Stay	White	40	70	80	140	165
N0080.AC0020	Stay	Black	40	70	80	140	165



# Soft-Closing Stays - for Top Opening

80° to 100° opening angle

## Soft & Spring Stays



SOFT & SPRING STAYS



### Top opening installation

- 1 **Top left:**  
Top opening lid with concealed hinge
- 2 **Top right:**  
Top opening lid with single knuckle hinge - overlay type
- 3 **Bottom left:**  
Top opening lid with single knuckle hinge - inset type
- 4 **Bottom right:**  
Mounting plate installation

1 for right side board

Opening angle	80°	90°	100°
a	141,0	132,5	126,5
b	31,9	32,3	32,9
c	45	45	45
d	58,1	57,7	57,1
e	98,2-S	88,7-S	81,2-S
f	103,5-S	95,0-S	88,5-S
g	108,8-S	101,3-S	95,8-S
h	197,5	189,0	182,5
i	134,8	134,8	134,8

\*S = overlay coverage.

2

Opening angle	80°	90°	100°
a	138,5	128,5	121,5
b	32,6	33,2	33,9
c	45	45	45
d	57,4	56,8	56,1
e	94,1	83,1	75,2
f	101	91	84
g	107,9	98,9	92,8
h	195	185	178
i	134,8	134,8	134,8

3

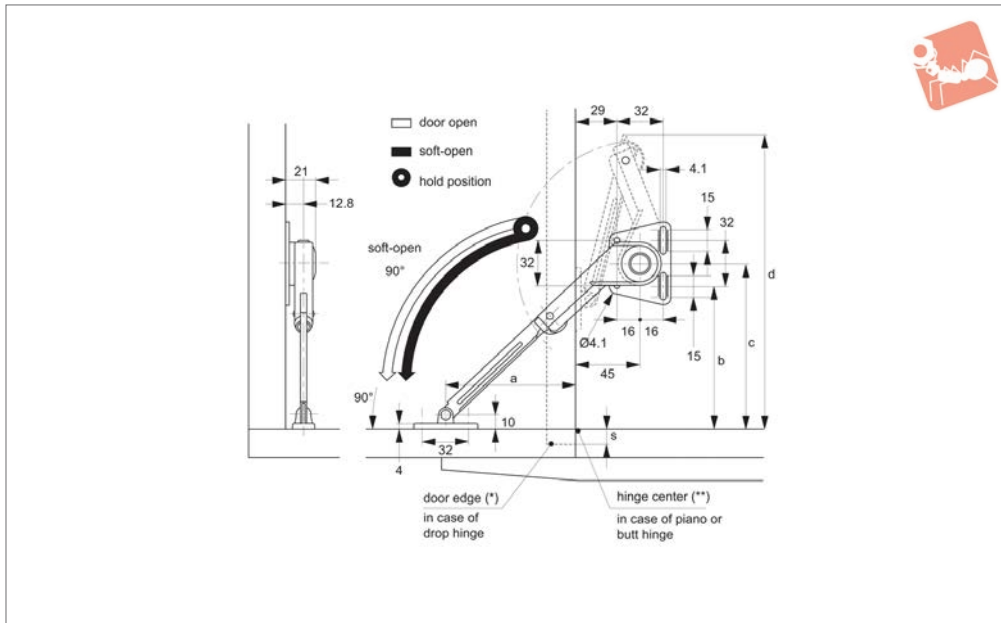
Opening Angle	80°	90°	100°
a	129,0	118,5	111,1
b	31,7	32,0	32,5
c	45	45	45
d	58,3	58,0	57,5
e	86,7	75,3	67,0
f	91,5	81,0	73,5
g	96,3	86,7	80,0
h	185,5	175,0	167,5
i	134,8	134,8	134,8

4 for right side board



# Soft-Closing Stays - for Downward 90° opening angle

## Soft & Spring Stays



### N0100

SOFT & SPRING STAYS

#### Material

Zinc alloy, steel,  
bright nickel finish.  
Supplied with screws (3,5x15)

#### Technical Notes

For use lids which are downward opening,  
with piano, butt or drop hinges.

Designed to control speed at which a  
suitable lid closes and hence prevent lid  
slamming shut. Opening angle of 90°.   
Temperature range - 0° to +40°C. Speed of

closure adjustable via screw located at end  
of stay.

**Stay has a sprung elbow section which  
must be released prior to closing lid -  
please take care not to catch fingers  
when handling.**

#### Important Notes

For use with relatively light weight cabinet  
or furniture lids. Improper application, or  
use on a lid not within recommended size  
and load bearing value, may lead to stay  
being overcome and slamming of lid.

#### 1) Checking Application Suitability:

1) Check Lid Size:

**One Stay used:**

a) Max 35cm wide

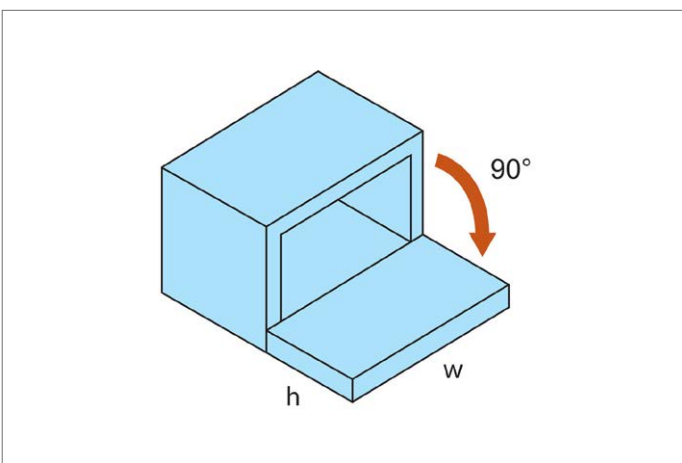
AND

b) within acceptable lid width. height  
combination - see chart.

#### If using only one stay-

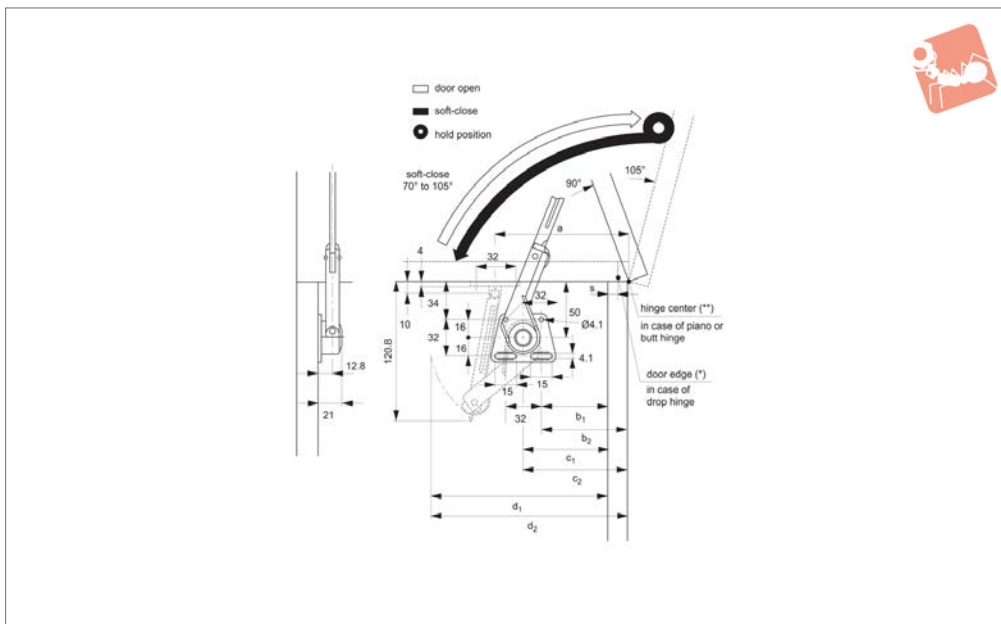
Acceptable load bearing (T) between min.  
20 to max 70 Kg/cm.

Order No.	Type	Acceptable load bearing single kg/cm min.   max.	Acceptable load bearing pair kg/cm min.   max.	Weight g
N0100.AC0010	Right	16 - 70	32 - 140	210
N0100.AC0110	Left	16 - 70	32 - 140	210





## N0200



### Material

Zinc alloy, steel,  
bright nickel finish.  
Supplied with screws (3,5x15)

### Technical Notes

For use with lids which are top opening,  
with piano, butt or drop hinges.

Designed to control speed at which a  
suitable lid closes and hence prevent lid  
slamming shut. Opening angle of 70° -  
105°. Temperature range - 0° to +40°C.  
Speed of closure adjustable via screw  
located at end of stay.

**Stay has a sprung elbow section which  
must be released prior to closing lid -  
please take care not to catch fingers**

### when handling.

#### Important Notes

For use with relatively light weight cabinet  
or furniture lids. Improper application, or  
use on a lid not within recommended size  
and load bearing value, may lead to stay  
being overcome and slamming of lid.

#### 1) Checking Application Suitability:

1) Check Lid Size:

##### One Stay used:

- a) Max 35cm wide  
AND
- b) within acceptable lid width.  
Height combination - see chart.

##### Two Stays used:

- a) Max 120cm wide  
AND
  - b) within acceptable lid width/height  
combination - see chart.
- 2) Secondly, check load bearing value.

#### 2) Check Load Bearing Value (T):

$T$  (Load Bearing Value of stay Kg/cm) =  $\frac{1}{2}$   
Door Height cm x Door Weight Kg

#### If using only one stay-

Acceptable load bearing (T) between min.  
20 to max 70 Kg/cm.

#### If using two stays-

Acceptable load bearing (T) between min.  
40 to max 140 Kg/cm.

Order No.	Type	Acceptable load bearing single kg/cm min.   max.	Acceptable load bearing pair kg/cm min.   max.	Weight g
N0200.AC0010	Left	20 - 70	40 - 140	210
N0200.AC0110	Right	20 - 70	40 - 140	210

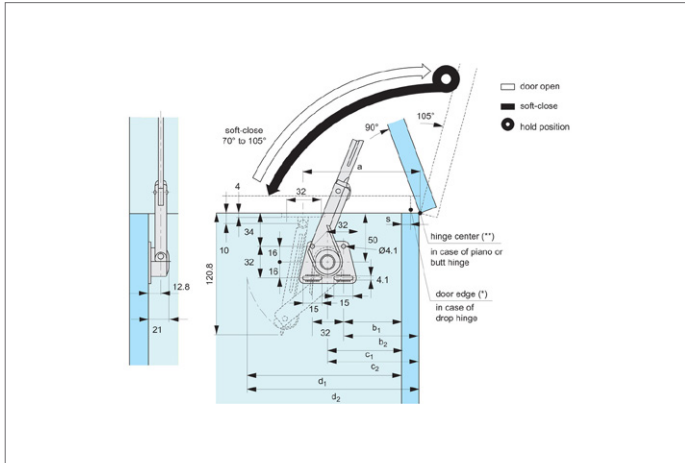




# Soft-Closing Stays - for Top Opening

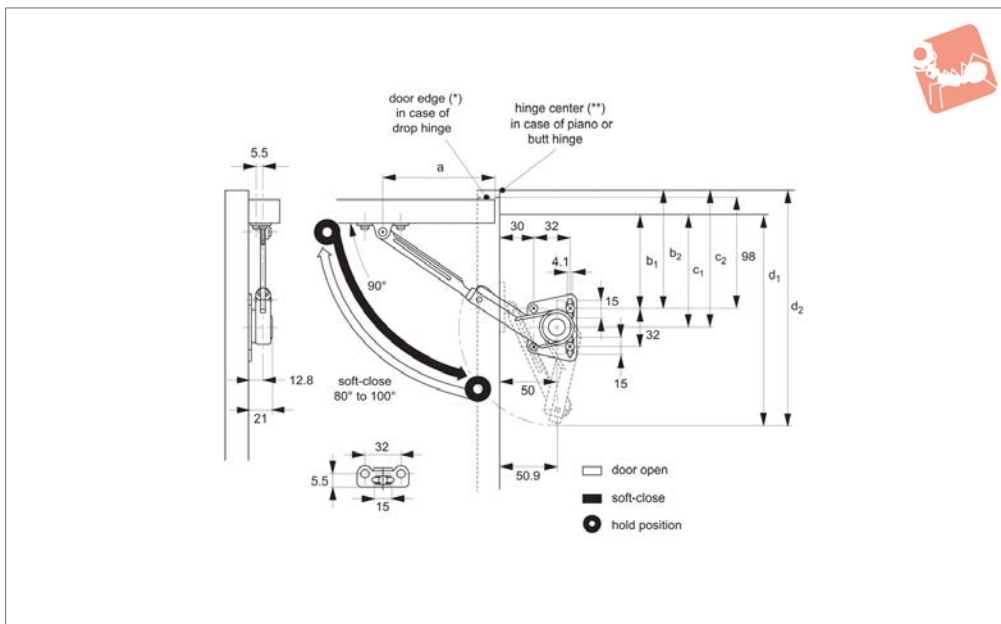
70° - 105° opening angle

## Soft & Spring Stays





## N0350



### Material

Zinc alloy, steel,  
bright nickel finish.  
Supplied with screws (3,5x15)

### Technical Notes

For use with lids which are upward opening, with piano, butt or drop hinges. Designed to control speed at which a suitable lid closes and hence prevent lid slamming shut. Opening angle of 80° - 100°. Temperature range - 0° to +40°C. Speed of closure adjustable via screw located at end of stay.

**Stay has a sprung elbow section which must be released prior to closing lid -**

**please take care not to catch fingers when handling.**

### Important Notes

For use with relatively light weight cabinet or furniture lids. Improper application, or use on a lid not within recommended size and load bearing value, may lead to stay being overcome and slamming of lid.

#### 1) Check Lid Size:

**If using only one stay-** max. lid width 35cm AND must be within load bearing capacity (T) of the stay, check calculation below.

**If using two stays-**max. lid width 120cm

AND must be within load bearing capacity (T) of the stay, check calculation below.

#### 2) Check Load Bearing Value (T):

$T$  (Load Bearing Value of stay Kg/cm) =  $1/2$  Door Height cm x Door Weight Kg

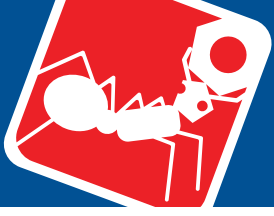
#### If using only one stay-

Acceptable load bearing (T) between min. 20 to max 70 Kg/cm.

#### If using two stays-

Acceptable load bearing (T) between min. 40 to max 140 Kg/cm.

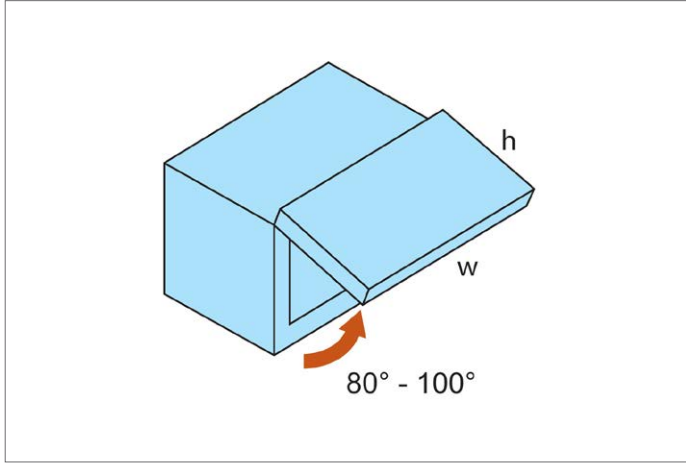
Order No.	Type	Acceptable load bearing single kg/cm min.   max.	Acceptable load bearing pair kg/cm min.   max.	Weight g
N0350.AC0010	Left	20 - 70	40 - 140	210
N0350.AC0110	Right	20 - 70	40 - 140	210



# Soft-Closing Stays - for Upward

80° - 100° opening angle

## Soft & Spring Stays



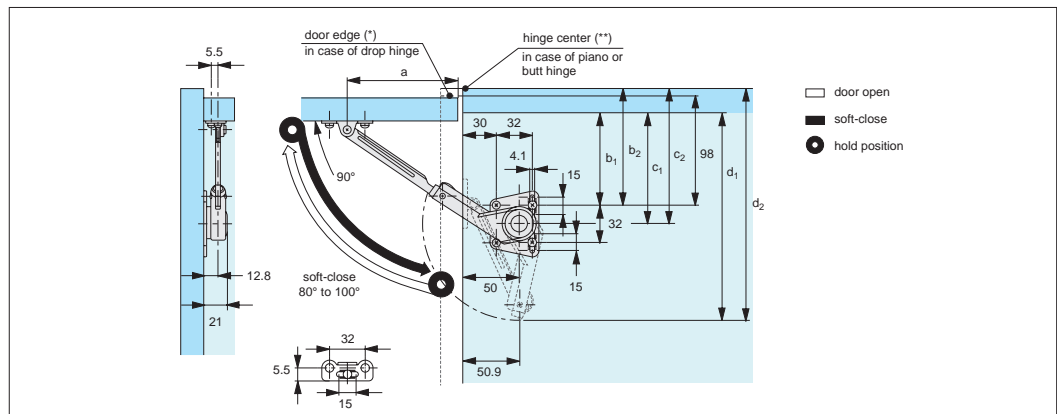


For use with lids which are upward opening, with piano or butt hinges. Longer arm for higher load bearing capacity applications. Designed to control speed at which a suitable lid closes and hence prevent lid slamming shut. Opening angle of 80° to 100°. Temperature range of 0° to 40°C.

Stay has integrated catch to hold lid in open and closed position. Stay has a sprung elbow section which must be released prior to closing lid - please take care not to catch fingers when handling.

## Installation

### Soft opening stay installation



The distance for a, b, c (as shown in the installation diagram above) is measured from the “door edge (\*)” and “top surface of bottom board” when drop hinges are used, and from “hinge centre (\*\*)” and “to the surface of the bottom board” when piano or butt hinges are used.

\*S = overlay coverage in case of drop hinge usage.

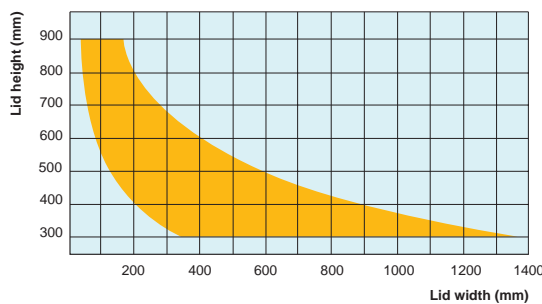
Hinge type	a	b <sub>1</sub>	c <sub>1</sub>	d <sub>1</sub>	b <sub>1</sub>	c <sub>2</sub>	d <sub>2</sub>
Drop hinge	99	98 - S*	114 - S*	200 - S*	-	-	-
Piano/butt hinge	93	-	-	-	92	108	194

Opening angle	80°	90°	100°
Position of plates	Down	Middle	Top
For hinge centre	Up Down	Up Down	Up Down
	Mounting plate Arm bracket	Mounting plate Arm bracket	Mounting plate Arm bracket

### Acceptable lid width and height

Acceptable Lid Width and Height for Soft Down Stay N0350



Orange area of chart provides guide to acceptable lid width and height combination. This is a guide only, check load bearing of the lid application. Chart Based on typical wooden lid of 20mm thickness.

### Load bearing calculation

Firstly check lid size is within acceptable lid width/height combination - see above chart. Secondly check load bearing and value.

#### Check load bearing value (T)

$$T \text{ (load bearing value of stay Kg/cm)} = 1/2 \text{ door height cm} \times \text{door weight Kg}$$

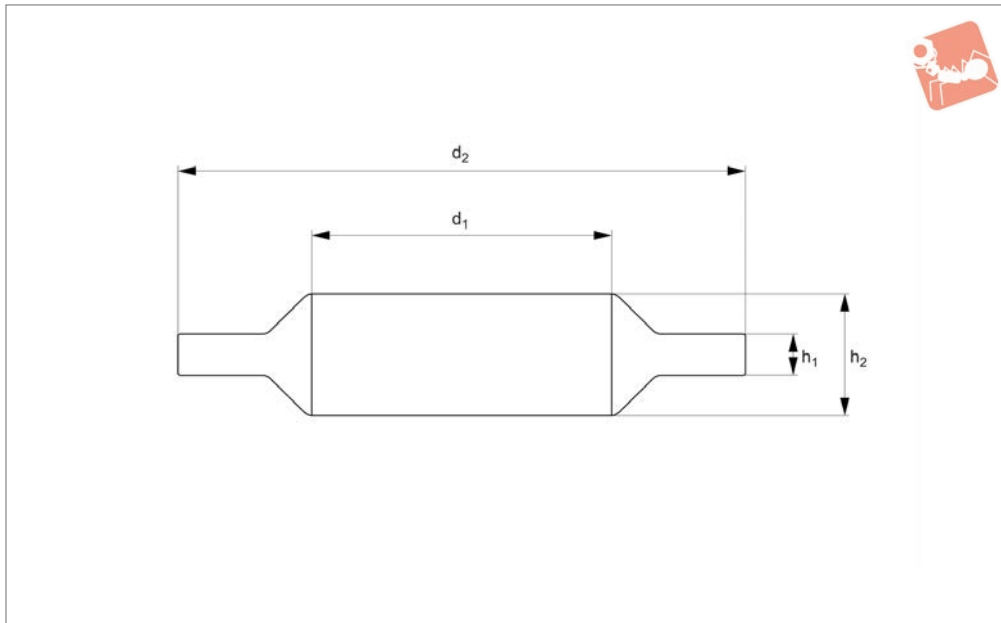
**Important notes:** For use with relatively light weight cabinet or furniture lids. Improper application, or use on a lid not within recommended size and bearing value, may lead to stay being overcome and slamming of lid. Application must be within both the minimum and maximum load bearing value of the stay, (see product table for load bearing capacity when using stays as single or in pairs), as well as within the door weight capacity of the stay - see 'Soft Down Stays - Door Weight Range Tables' on previous pages.



# Heavy Duty Soft-Opening Stays

For downward opening lid, 90° opening angle

## Soft & Spring Stays



**N0420**

SOFT & SPRING STAYS

### Material

Arm: zinc alloy, steel, bright nickel finish.  
Body: plastic.

### Technical Notes

For use with lids which are downward opening, with piano, butt or drop hinges. Designed to hold door in both closed and open position. Designed to control speed

at which a suitable lid opens, for smooth controlled motion. For use in pairs. Opening angle of 90°. Temperature range 0° to 40°C.

### Important Notes

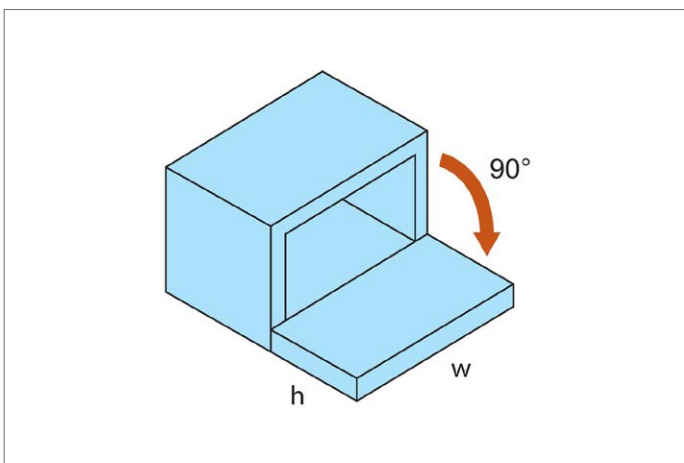
Improper application, or use on a lid not within recommended size and load bearing value, may lead to stay being overcome

and slamming of lid. Application must be within both the min. and max. load bearing value, stays are for use in pairs see above table.

### Check Load Bearing Value (T):

$$T (\text{Load Bearing Value of stay Kg/cm}) = \frac{1}{2} \text{ Door Height cm} \times \text{Door Weight Kg}$$

Order No.	Type	Acceptable load bearing pair kg/cm min.   max.	Hand	Weight g
N0420.AC0020	Light Duty	140 to 200	Left	290
N0420.AC0025	Medium Duty	200 to 250	Left	290
N0420.AC0030	Heavy Duty	250 to 300	Left	310
N0420.AC0120	Light Duty	140 to 200	Right	290
N0420.AC0125	Medium Duty	200 to 250	Right	290
N0420.AC0130	Heavy Duty	250 to 300	right	310

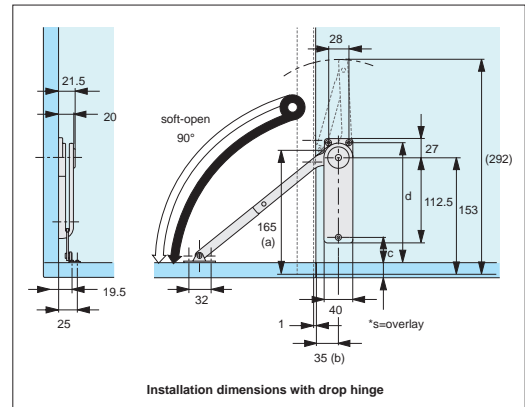
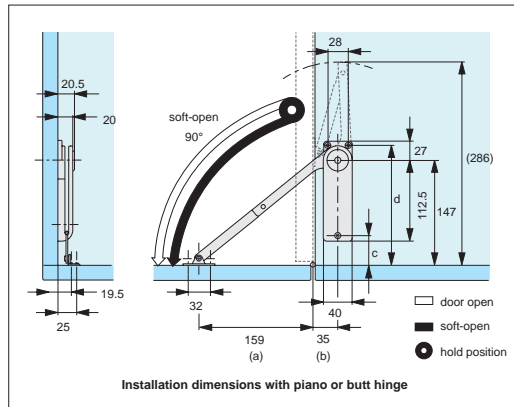




For use with lids which are downward opening, with piano, butt or drop hinges. Designed to control speed at which a suitable lid opens, for smooth controlled motion. For use in pairs. Opening angle of 90°. Temperature range 0° to 40°C. Stay has an integrated catch to hold lid in open position and a sprung elbow section which must be released prior to closing the lid - please take care not to catch fingers when handling.

## Installation

### Heavy duty soft opening stay installation



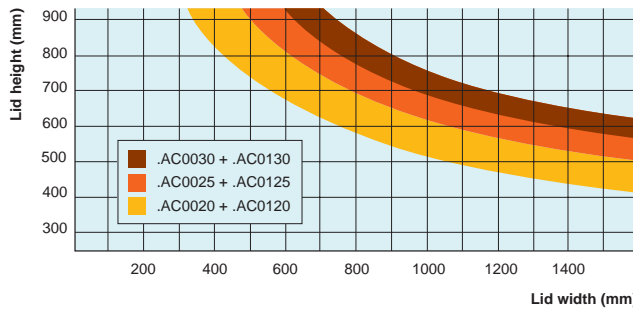
Hinge type	a	b	c	d
Drop hinge	165	35	48 - S*	174 - S*
Piano/butt hinge	159	35	42	168

The distance for a, b, c (as shown in the installation diagram above) is measured from the “door edge (\*)” and “top surface of bottom board” when drop hinges are used, and from “hinge centre (\*\*)” and “to the surface of the bottom board” when piano or butt hinges are used.

\*S = overlay coverage in case of drop hinge usage.

### Acceptable lid width and height

Acceptable Lid Width and Height for Soft Down Stay N0420



Areas of chart provides guides to acceptable lid width and height combination. This is a guide only, check load bearing of the lid application. Chart based on typical wooden lid of 20mm thickness.

### Load bearing calculation

Firstly check lid size is within acceptable lid width/height combination - see above chart. Secondly check load bearing and value.

#### Check load bearing value (T)

$$T \text{ (load bearing value of stay Kg/cm)} = 1/2 \text{ door height cm} \times \text{door weight Kg}$$

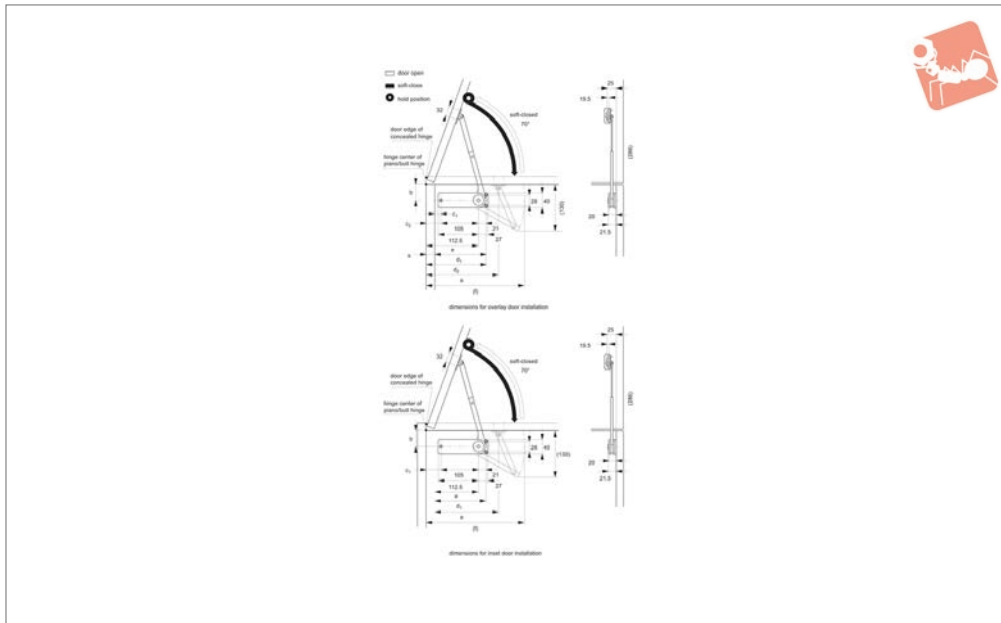
**Important notes:** For use with relatively light weight cabinet or furniture lids. Improper application, or use on a lid not within recommended size and bearing value, may lead to stay being overcome and slamming of lid. Application must be within both the minimum and maximum load bearing value of the stay, (see product table for load bearing capacity when using stays as single or in pairs), as well as within the door weight capacity of the stay - see ‘Soft Down Stays - Door Weight Range Tables’ on previous pages.



# Heavy Duty Soft-Close Stays

For top opening lid, 70° opening angle

## Soft & Spring Stays



**N0440**

SOFT & SPRING STAYS

### Material

Arm: zinc alloy, steel, bright nickel finish.  
Body: plastic.

### Technical Notes

For use with lids which are top opening, with piano, butt or concealed hinges. Designed to hold door in open position. Designed to control speed at which a

suitable lid closes, to prevent lid slamming shut. For use in pairs.  
Opening angle of 70°. Temperature range 0° to 40°C.

### Important Notes

Improper application, or use on a lid not within recommended size and load bearing value, may lead to stay being overcome

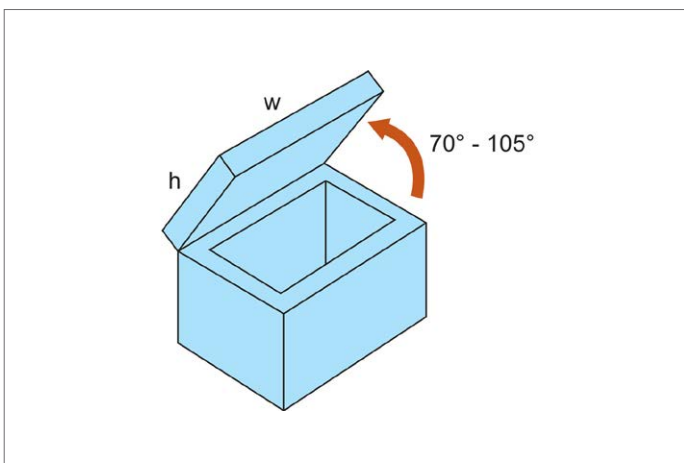
and slamming of lid.

Application must be within both the min. and max. load bearing value, stays are for use in pairs see above table.

### Check Load Bearing Value (T):

$t$  (Load Bearing Value of stay Kg/cm) =  $1/2$  Door Height cm x Door Weight Kg.

Order No.	Type	Acceptable load bearing pair kg/cm min.   max.	Hand	Weight g
N0440.AC0020	Light Duty	140 to 200	Left	280
N0440.AC0025	Medium Duty	200 to 250	Left	290
N0440.AC0030	Heavy Duty	250 to 300	Left	310
N0440.AC0120	Light Duty	140 to 200	Right	280
N0440.AC0125	Medium Duty	200 to 250	Right	290
N0440.AC0130	Heavy Duty	250 to 300	Right	310

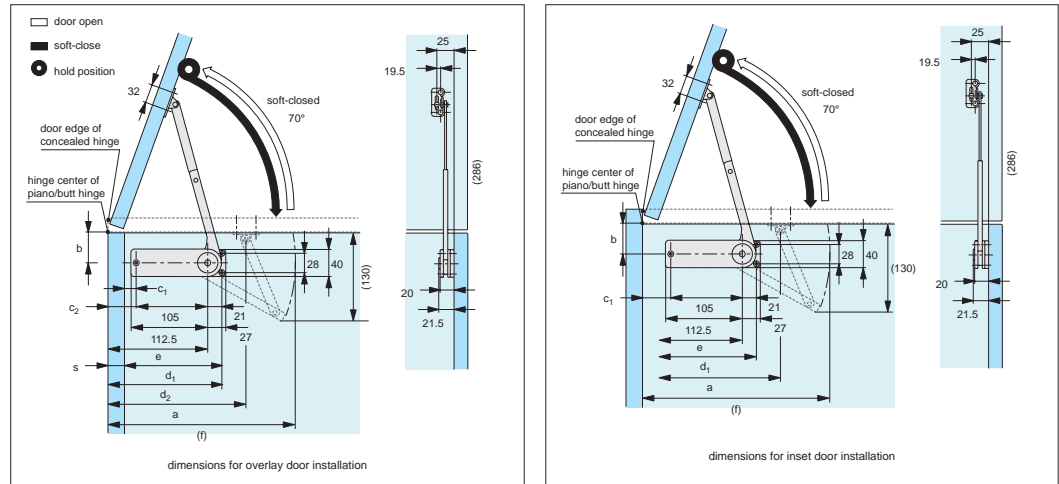




For use with lids which are top opening, with piano, butt or drop hinges. Designed to control speed at which a suitable lid closes and hence prevent lid slamming shut. Opening angle of 70°. Temperature range of 0° to 40°C. Stay has integrated catch to hold lid in open position and a sprung elbow section which must be released prior to closing the lid - please take care not to catch fingers when handling.

### Installation

#### Heavy duty soft closing stay installation



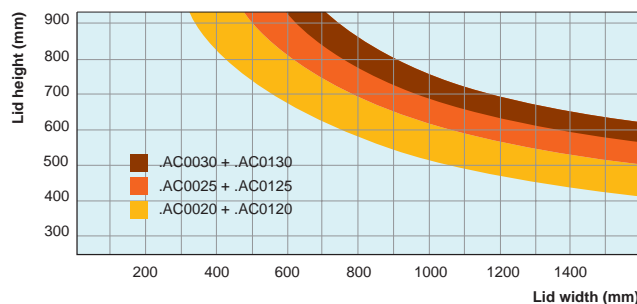
Hinge type	a	b	c	d	c <sub>1</sub>	d <sub>1</sub>	e	f
Drop hinge	198,5	45	42-S*	168-S*	-	-	145	283,5
Piano/butt hinge	198,5	45	-	-	41	167	142,5	281,0

Hinge type	a	b	c	d	e	f
Drop hinge	203	45	46	172	151	286
Piano/butt hinge	190	45	33	159	138	273

The distance for a, b, c (as shown in the installation diagram above) is measured from the “door edge (\*)” and “top surface of bottom board” when drop hinges are used, and from “hinge centre (\*\*)” and “to the surface of the bottom board” when piano or butt hinges are used.

#### Acceptable lid width and height and installation table

Acceptable Lid Width and Height for Soft Down Stay N0440



Areas of chart provides guides to acceptable lid width and height combination. This is a guide only, check load bearing of the lid application. Chart based on typical wooden lid of 20mm thickness.

#### Load bearing calculation

Firstly check lid size is within acceptable lid width/height combination - see above chart. Secondly check load bearing and value.

#### Check load bearing value (T)

$$T \text{ (load bearing value of stay Kg/cm)} = 1/2 \text{ door height cm} \times \text{door weight Kg}$$

**Important notes:** For use with relatively light weight cabinet or furniture lids. Improper application, or use on a lid not within recommended size and bearing value, may lead to stay being overcome and slamming of lid. Application must be within both the minimum and maximum load bearing value of the stay, (see product table for load bearing capacity when using stays as single or in pairs), as well as within the door weight capacity of the stay - see ‘Soft Down Stays - Door Weight Range Tables’ on previous pages.

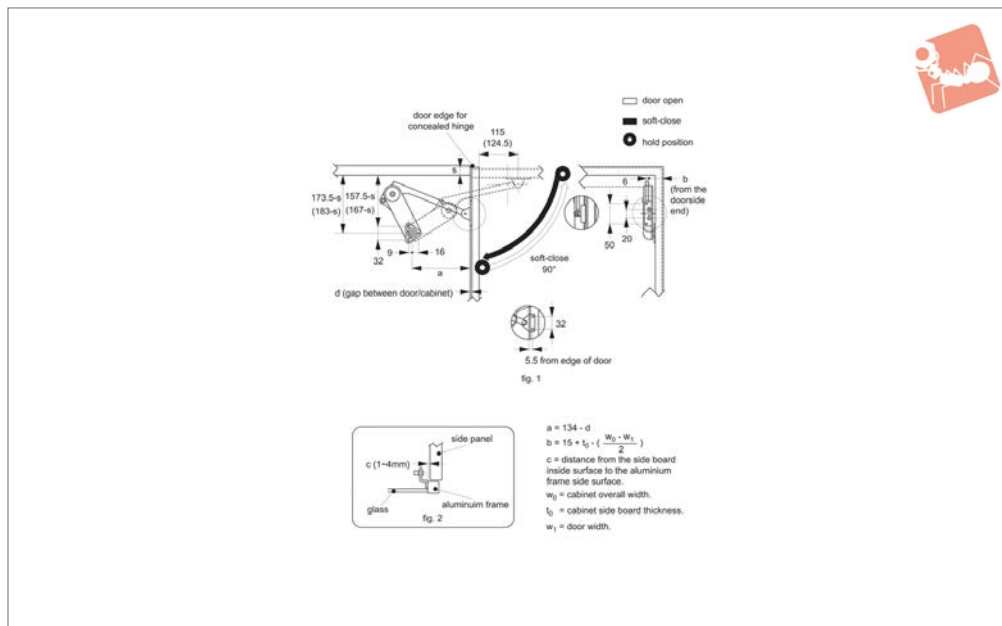




# Heavy Duty Soft-Close Stays

For upward opening lid, 90° opening angle

Soft & Spring Stays



**N0460**

SOFT & SPRING STAYS

### Material

Arm: zinc alloy, steel, bright nickel finish.  
Body: plastic.

suitable lid closes, to prevent lid slamming shut. For use in pairs.  
Opening angle up to 90°. Temperature range 0° to 40°C.

within both the min. and max. load bearing value, stays are for use in pairs see above table.  
Order mounting plate separately.

### Technical Notes

For use with lids which are upward opening, with concealed hinges. Designed to hold door in both closed and open position.  
Designed to control speed at which a

### Important Notes

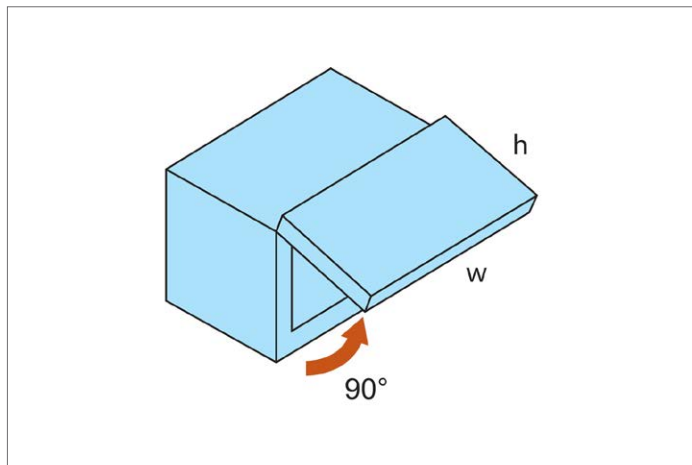
Improper application, or use on a lid not within recommended size and load bearing value, may lead to stay being overcome and slamming of lid. Application must be

### Check Load Bearing Value (T):

$$T (\text{Load Bearing Value of stay Kg/cm}) = \frac{1}{2} \text{ Door Height cm} \times \text{Door Weight Kg}$$

Order No.	Type	Hand
N0460.AC0017	Light Duty	Left
N0460.AC0021	Medium Duty	Left
N0460.AC0025	Heavy Duty	Left
N0460.AC0030	Super Duty	Left
N0460.AC0117	Light Duty	Right
N0460.AC0121	Medium Duty	Right
N0460.AC0125	Heavy Duty	Right
N0460.AC0130	Super Duty	Right
N0460.AC0920	Mounting Plate - 20 mm wide alu. frame	Both
N0460.AC0945	Mounting Plate - 45 mm wide wood or alu. frame	Both

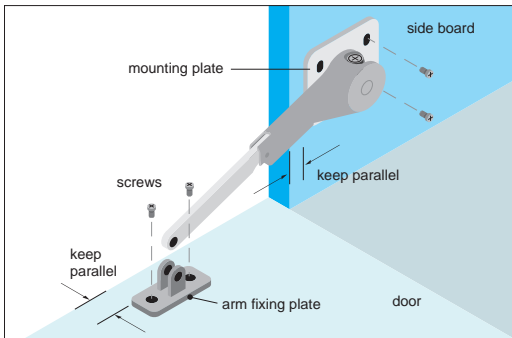
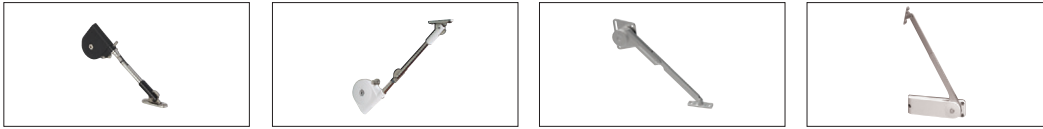
Order No.	Acceptable load bearing pair 90° opening angle		Acceptable load bearing pair 80° opening angle	
	kg/cm		kg/cm	
	min.	max.	min.	max.
N0460.AC0017	140	179	140	199
N0460.AC0021	180	219	200	249
N0460.AC0025	220	259	250	299
N0460.AC0030	260	300	300	350
N0460.AC0117	140	179	140	199
N0460.AC0121	180	219	200	249
N0460.AC0125	220	259	250	299
N0460.AC0130	260	300	300	350
N0460.AC0920	-	-	-	-
N0460.AC0945	-	-	-	-





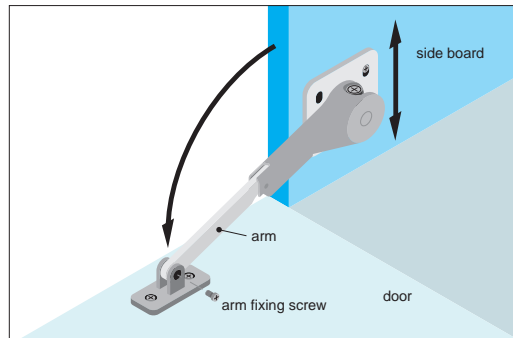
Wixroyd soft down stays provide smooth opening and closing systems, via their integrated dampening device. For use with relatively light weight cabinet or furniture lids.

Application must be within both the minimum and maximum load bearing value of the stay, (see specific product information), as well as within the door weight capacity of the stay - See 'Soft Down Stays - Door Weight Range Tables' on following pages.



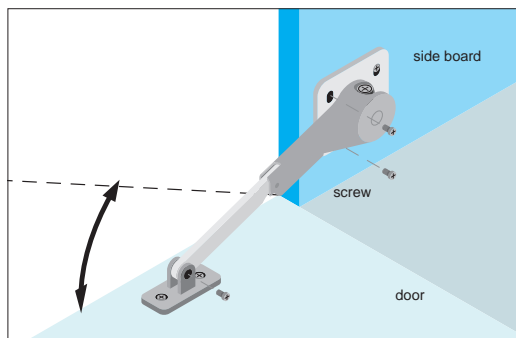
### Step 1

Mount the arm fixing plate on the back of the door with screws. Place the mounting plate on the side board, slotted oblong holes must be placed towards the bottom of the cabinet. Put the screws into the slots and fasten temporarily.



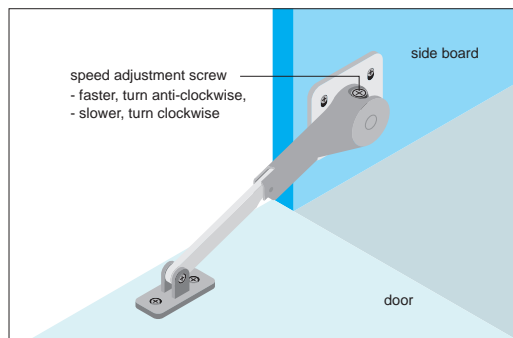
### Step 2

Rotate the body to align arm into the slot of arm fixing plate, and fasten with the arm fixing screw. To adjust the opening angle of the door, loosen the screws in the slots of the mounting plate, and adjust the position.



### Step 3

Upon completing step 2, fasten the remaining screws in the slots of the mounting plate. If hole(s) are covered by the unit body, open and close the door, the holes should become exposed for adjustment.



### Speed adjustment

Upon completion of installation, make sure the door opens and closes properly. To adjust the closing speed of the door, turn the speed adjustment screws. In case 2 units (left and right) are used, the speed adjustment screws must be turned evenly. Do not try to turn the speed adjustment screws exceeding their limitation.

### Opening type

**Warning:** This product has dampening function, and is designed for a relatively lightweight cabinet or furniture door. We will not be liable for any injuries or damage due to improper application or use on a door that is not within proper load bearing and weight range. This product is designed to operate at room temperatures between 0° and 40°C (32° and 104°F).










This product has a spring at the elbow section. Please be careful NOT TO GET YOUR FINGERS CAUGHT in the elbow of the product while you are handling the unit. Do not force the door to close faster, it can cause damage to the product or hinge(s). Dimensions and specification can be changed with or without notice.

Application	Example	Hinge type used	Suitable soft-down stay	Opening angle
Downward opening lid		Butt hinge	N0060	90°
		Drop hinge	N0070	
		Concealed hinge	N0100	
			N0420	
Top opening lid		Butt hinge	N0080	70°/105°
		Drop hinge	N0200	70°/105°
		Concealed hinge	N0440	70°
Upward opening lid		Butt hinge	N0080	80°/90°/100°
		Drop hinge	N0350	80°/90°/100°
		Concealed hinge	N0460	80°

### Opening angle table

h = door height from pivot point to edge of lid (cm)  
w = door width (cm)



	Mounting			Lid Orientation			Soft Action		Material		Heavy Duty	Acceptable load bearing Single* (min-max) Kg.cm	Acceptable load bearing Pair* (min-max) Kg.cm	Max Angle
	Right	Left	Universal	Upward	Top (box lid)	Downward	Soft Opening	Soft Closing	Steel	Stainless Steel				
N0060 			✓			✓	✓		✓			0,5-12	10-12	90°
N0070 			✓			✓	✓		✓			35-50	70-100	90°
N0080 			✓	✓				✓	✓	✓		40-70	80-140	80°-100°
N0100 	✓	✓				✓	✓		✓			16-70	32-140	90°
N0200 	✓	✓			✓			✓	✓			20-70	40-140	70°-105°
N0350 	✓	✓		✓				✓	✓			20-70	40-140	80°-100°
N0420 	✓	✓				✓	✓		✓	✓		N/A	140-300	90°
N0440 	✓	✓			✓			✓	✓	✓		N/A	140-300	70°
N0460 	✓	✓		✓				✓	✓	✓		N/A	140-350	90°

\* Please note acceptable lid width and height of each stay prior to selection. Please refer to individual product details.  
 T Load Bearing Value of Stay (Kg.cm) = 1/2 Door Height (cm) x Door weight (Kg)



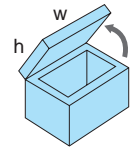
# Soft Down Stays Door Weight Range Table

Stays

Wixroyd soft down stays provide smooth opening and closing systems, via their integrated dampening device. Doors and lids can be closed slowly and softly, eliminating the slamming of doors or damage to fingers.

The table below gives approximate acceptable door weight range for our soft down stays (acceptable Kg/pair min. and max. range per stay).

The application must be within both the min. and max. door weight range, as well as within the stated door heights, as shown in the table.



		Door height (cm)																				
		15.2	17.8	20.3	22.9	25.4	27.9	30.5	33	35.6	38.1	40.6	43.2	45.7	48.3	50.8	53.3	55.9	58.4	61	63.5	66
<b>N0060</b>	Kg/pair min.	1.3	1.1	1.0	0.9	0.8	0.7	0.6	-	-	-	-	-	-	-	-	-	-	-	-	-	-
	Kg/Pair max.	3.1	2.7	2.4	2.1	1.9	1.7	1.6	-	-	-	-	-	-	-	-	-	-	-	-	-	-
<b>N0070</b>	Kg/pair min.	-	-	6.8	6.0	5.4	4.9	4.5	4.2	3.9	3.6	3.4	3.2	3.0	2.9	2.7	2.6	2.5	2.4	2.3	2.2	2.1
	Kg/pair max.	-	-	9.8	8.7	7.8	7.1	6.5	6.0	5.6	5.2	4.9	4.6	4.4	4.1	3.9	3.7	3.5	3.4	3.3	3.1	3.0
<b>N0080</b>	Kg/pair min.	-	-	7.9	7.1	6.4	5.8	5.3	4.9	4.5	4.2	4.0	3.7	3.5	3.4	3.2	3.0	2.9	2.8	2.6	2.5	2.4
	Kg/pair max.	-	-	13.6	12.1	10.9	9.9	9.1	8.4	7.8	7.3	6.8	6.4	6.0	5.7	5.4	5.2	4.9	4.7	4.5	4.4	4.2
<b>N0100/N0200/ N0350</b>	Kg/pair min.	-	-	3.3	3.8	3.4	3.1	2.9	2.6	2.4	2.3	2.2	2.0	1.9	1.8	1.7	1.6	1.6	1.5	1.5	1.4	1.3
	Kg/pair max.	-	-	13.6	12.1	10.9	9.9	9.1	8.4	7.8	7.3	6.8	6.4	6.0	5.7	5.4	5.2	4.9	4.7	4.5	4.4	4.2
<b>N0420.AC0020/ N0420.AC0120</b>	Kg/pair min.	-	-	13.7	12.2	11.0	10.0	9.2	8.4	7.8	7.3	6.8	6.4	6.1	5.8	5.5	5.2	5.0	4.8	4.6	4.4	4.2
	Kg/pair max.	-	-	19.6	17.4	15.7	14.3	13.1	12.1	11.2	10.5	9.8	9.3	8.7	8.3	7.8	7.5	7.1	6.8	6.5	6.3	6.0
<b>N0420.AC0025/ N0420.AC0125</b>	Kg/pair min.	-	-	19.6	17.4	15.7	14.3	13.1	12.1	11.2	10.5	9.8	9.3	8.7	8.3	7.8	7.5	7.1	6.8	6.5	6.3	6.0
	Kg/pair max.	-	-	24.5	21.8	19.6	17.8	16.3	15.1	14.0	13.1	12.2	11.5	10.9	10.3	9.8	9.3	8.9	8.5	8.2	7.8	7.5
<b>N0420.AC0030/ N0420.AC0130</b>	Kg/pair min.	-	-	24.5	21.8	19.6	17.8	16.3	15.1	14.0	13.1	12.2	11.5	10.9	10.3	9.8	9.3	8.9	8.5	8.2	7.8	7.5
	Kg/pair max.	-	-	29.5	26.2	23.6	21.5	19.6	18.1	16.8	15.7	14.7	13.9	13.1	12.4	11.8	11.2	10.7	10.3	9.8	9.4	9.1
<b>N0460.AC0017/ N0460.AC0117 at 90° angle</b>	Kg/pair min.	-	-	13.8	12.3	11.1	10.1	9.2	8.5	7.9	7.4	6.9	6.5	6.2	5.8	5.5	5.3	5.0	4.8	4.6	4.4	4.3
	Kg/pair max.	-	-	17.6	15.6	14.1	12.8	11.7	10.8	10.0	9.4	8.8	8.3	7.8	7.4	7.0	6.7	6.4	6.1	5.9	5.6	5.4
<b>N0460.AC0017/ N0460.AC0117 at 80° angle</b>	Kg/pair min.	-	-	13.8	12.3	11.1	10.1	9.2	8.5	7.9	7.4	6.9	6.5	6.2	5.8	5.5	5.3	5.0	4.8	4.6	4.4	4.3
	Kg/pair max.	-	-	19.6	17.4	15.7	14.3	13.1	12.1	11.2	10.5	9.8	9.3	8.7	8.3	7.8	7.5	7.1	6.8	6.5	6.3	6.0
<b>N0460.AC0021/ N0460.AC0121 at 90° angle</b>	Kg/pair min.	-	-	17.7	15.7	14.2	12.9	11.8	10.9	10.1	9.4	8.8	8.3	7.8	7.4	7.1	6.8	6.4	6.2	5.9	5.7	5.4
	Kg/pair max.	-	-	21.5	19.1	17.2	15.6	14.4	13.2	12.3	11.5	10.8	10.2	9.6	9.1	8.6	8.2	7.8	7.5	7.2	6.9	6.6
<b>N0460.AC0021/ N0460.AC0121 at 80° angle</b>	Kg/pair min.	-	-	19.1	17.6	15.8	14.3	13.2	12.2	11.3	10.5	9.9	9.3	8.8	8.3	7.9	7.5	7.2	6.8	6.6	6.3	6.1
	Kg/pair max.	-	-	24.5	21.8	19.6	17.8	16.3	15.1	14.0	13.1	12.2	11.5	10.9	10.3	9.8	9.3	8.9	8.5	8.2	7.8	7.5
<b>N0460.AC0025/ N0460.AC0125 at 90° angle</b>	Kg/pair min.	-	-	21.7	19.2	17.3	15.7	14.4	13.3	12.4	11.6	10.8	10.2	9.6	9.1	8.7	8.3	7.9	7.5	7.2	6.9	6.7
	Kg/pair max.	-	-	25.5	22.7	20.4	18.6	17.0	15.7	14.6	13.6	12.7	12.0	11.3	10.8	10.2	9.7	9.3	8.9	8.5	8.2	7.8
<b>N0460.AC0025/ N0460.AC0125 at 80° angle</b>	Kg/pair min.	-	-	24.6	21.9	19.7	17.9	16.4	15.1	14.1	13.1	12.3	11.6	10.9	10.3	9.8	9.4	8.9	8.6	8.2	7.9	7.6
	Kg/pair max.	-	-	29.5	26.2	23.6	21.5	19.6	18.1	16.8	15.7	14.7	13.9	13.1	12.4	11.8	11.2	10.7	10.3	9.8	9.4	9.1
<b>N0460.AC0030/ N0460.AC0130 at 90° angle</b>	Kg/pair min.	-	-	25.6	22.8	20.5	18.6	17.1	15.8	14.7	13.7	12.8	12.1	11.4	10.8	10.3	9.8	9.3	8.9	8.5	8.2	7.9
	Kg/pair max.	-	-	29.5	26.2	23.6	21.5	19.6	18.1	16.8	15.7	14.7	13.9	13.1	12.4	11.8	11.2	10.7	10.3	9.8	9.4	9.1
<b>N0460.AC0030/ N0460.AC0130 at 80° angle</b>	Kg/pair min.	-	-	29.6	26.3	23.7	21.5	19.7	18.2	16.9	15.8	14.8	13.9	13.2	12.5	11.8	11.3	10.8	10.3	9.9	9.5	9.1
	Kg/pair max.	-	-	34.4	30.5	27.5	25.0	22.9	21.1	19.6	18.3	17.2	16.1	15.3	14.5	13.7	13.1	12.5	11.9	11.5	11.0	10.6

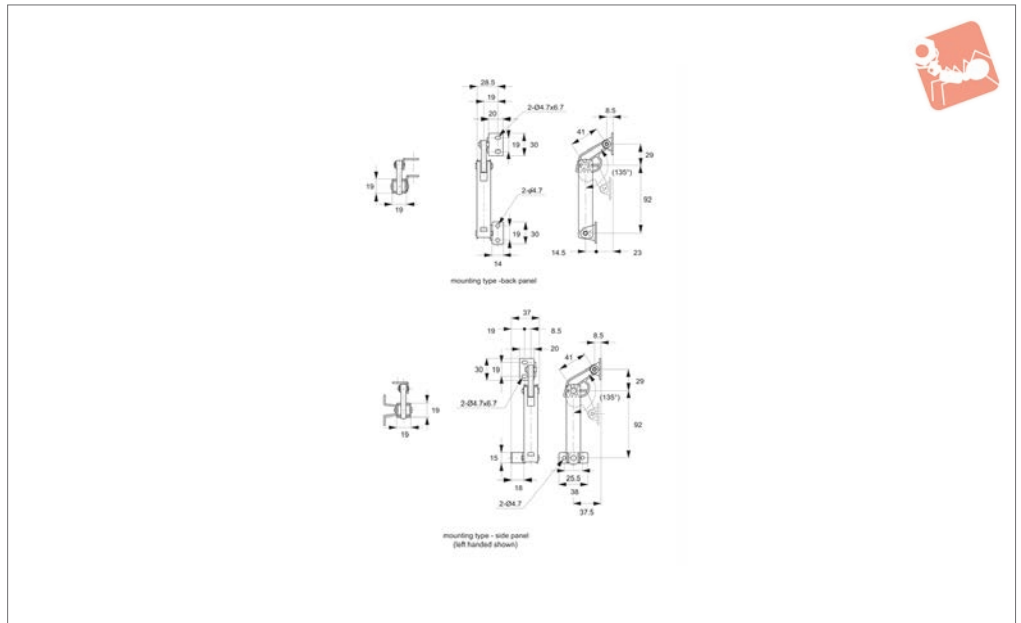
Note: Door weight ranges calculated based on centre of gravity point at the middle of door/lid. For complete accuracy follow the torque calculation information on the specific product pages.

SOFT & SPRING STAYS

ov-WN0060-A-T-WN0460-A-T-soft-down-stays-door-weight-range-table-mh-Updated-24-10-2022



## N0020



### Material

Body: stainless steel, AISI 304.  
Arm: polyacetal

### Technical Notes

Spring mechanism assists lifting of lid, and

holds lid in open position. Mounting possible via side mounting (right or left) or via mounting to back panel of lid/frame.

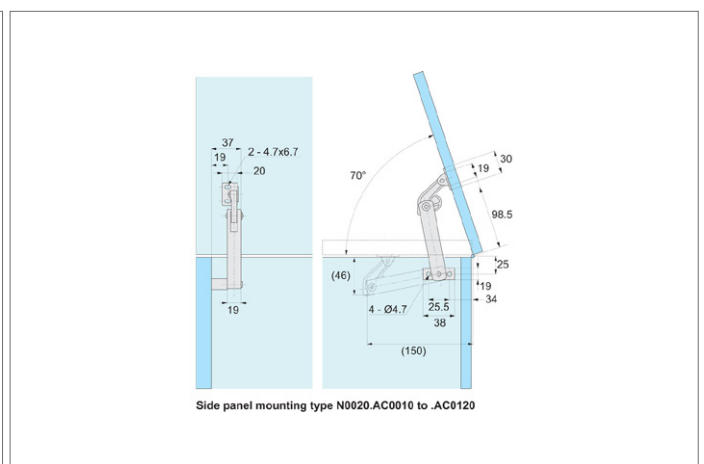
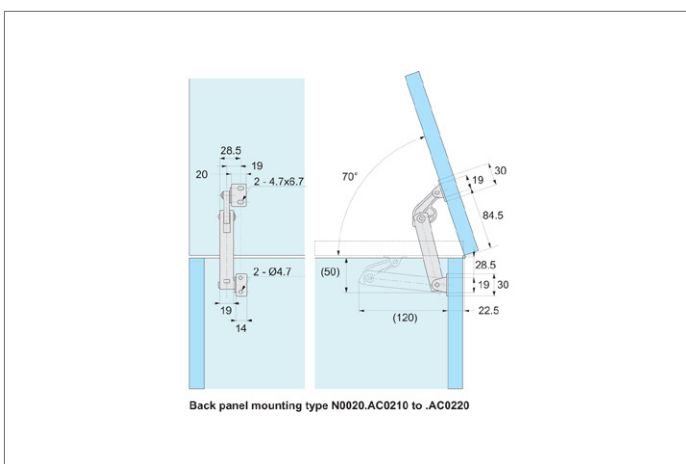
### Tips

Suitable for light/medium duty applica-

tions, refer to max. torque values.

**Check Max. Torque (T):**  
t (Max. Torque Valve of Stay Kg/cm) =  
1/2 Door Height cm x Door Weight Kg.

Order No.	Hand	Mounting type	Spring tension	Torque kg/cm max.	Weight g
N0020.AC0010	Right	Side	Soft	30	118
N0020.AC0020	Right	Side	Hard	40	118
N0020.AC0110	Left	Side	Soft	30	118
N0020.AC0120	Left	Side	Hard	40	118
N0020.AC0210	Non-handed	Back Panel	Soft	30	118
N0020.AC0220	Non-handed	Back Panel	Hard	40	118

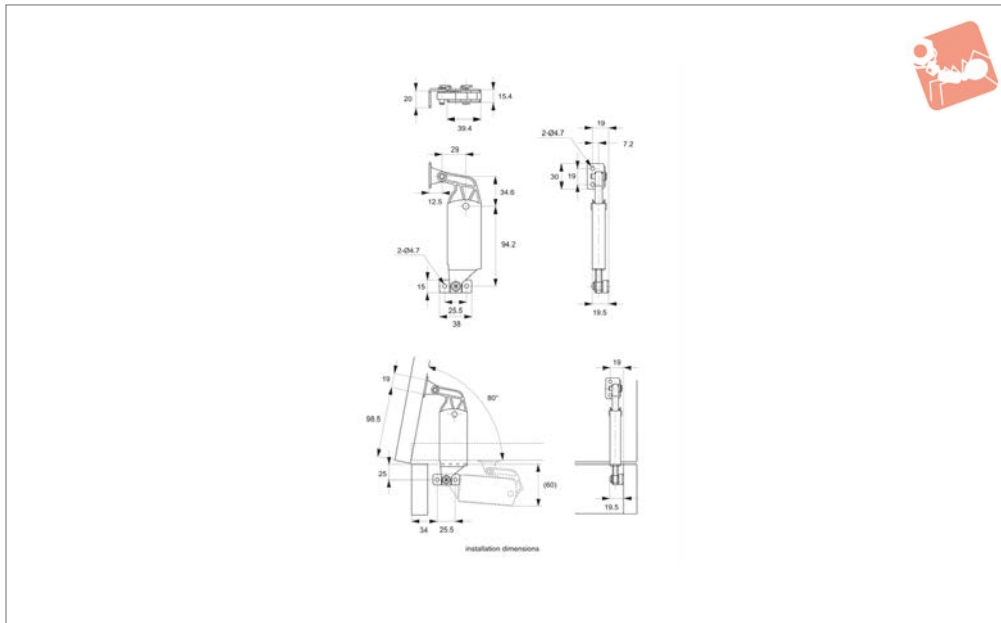




# Spring Loaded Lid Stay

heavy duty - side mounting

## Soft & Spring Stays



**N0024**

SOFT & SPRING STAYS

### Material

Body: stainless steel, AISI 430.  
Arm: polyacetal.

### Technical Notes

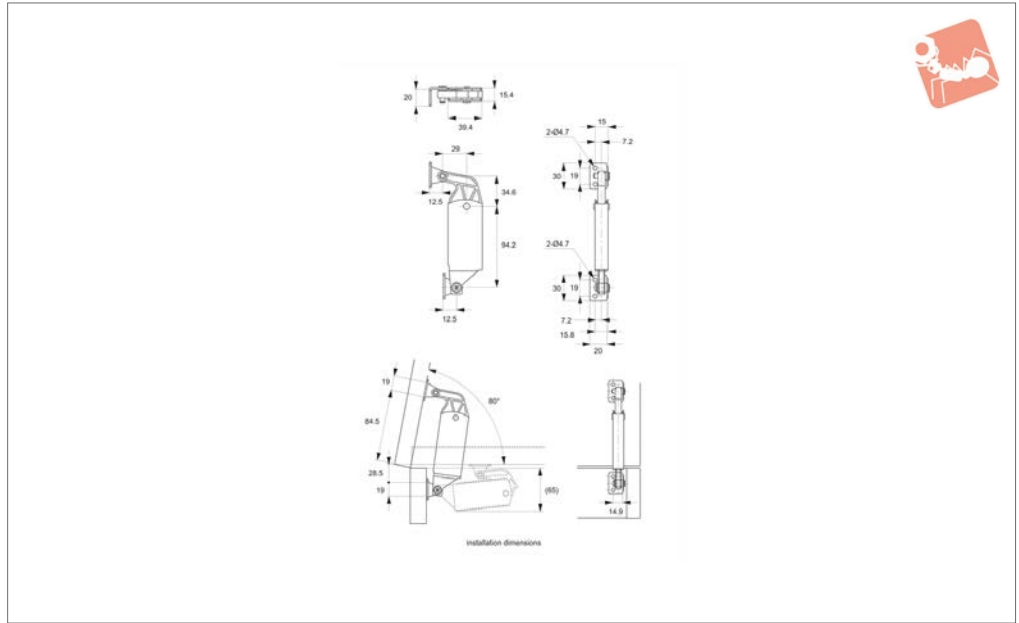
Non-handed, for mounting on left or right panel. Can be installed individually or in

pairs.

Order No.	Torque per piece kgf/cm max.	Lift assist angle
N0024.AC0090	90	10° - 80°
N0024.AC0120	120	10° - 80°



**N0026**



**Material**

Body: stainless steel, AISI 430.  
Arm: polyacetal.

**Technical Notes**

Non-handed, for mounting on left or right panel. Can be installed individually or in

pairs.

Order No.	Torque per piece kgf/cm max.	Lift assist angle
N0026.AC0090	90	10° - 80°
N0026.AC0120	120	10° - 80°













# Wixroyd Lid Stays

product selection charts

## Stays

	Mounting			Lid Orientation			Stop Type	Material			Max Load Per Single Piece Kg.cm	Retracted Length mm	Max. Length Extended mm	Max Angle
	Right	Left	Universal	Upward	Top (box lid)	Downward		Steel	Stainless Steel	Heavy Duty				
<b>N0020</b> 	✓	✓		✓			Spring Loaded		✓		30-40	120	151	70°
<b>N0024</b> 			✓	✓			Spring Loaded		✓		90-120	125	158	80°
<b>N0026</b> 			✓	✓			Spring Loaded		✓		90-120	125	158	80°
<b>N0500</b> 			✓	✓			Ratchet		✓		15	148-205	195-290	75-120°
<b>N0550</b> 			✓	✓			Ratchet		✓	✓	20-30	163-305	200-500	80°
<b>N0600</b> 	✓	✓		✓			Multi-stop		✓	✓	70	230-280	350-450	90°
<b>N0620</b> 			✓	✓			Ratchet		✓		15	153	215	90°
<b>N0640</b> 			✓	✓			Mechanical Lock-Pull Release		✓		30	133-170	195-270	90°

SOFT & SPRING STAYS

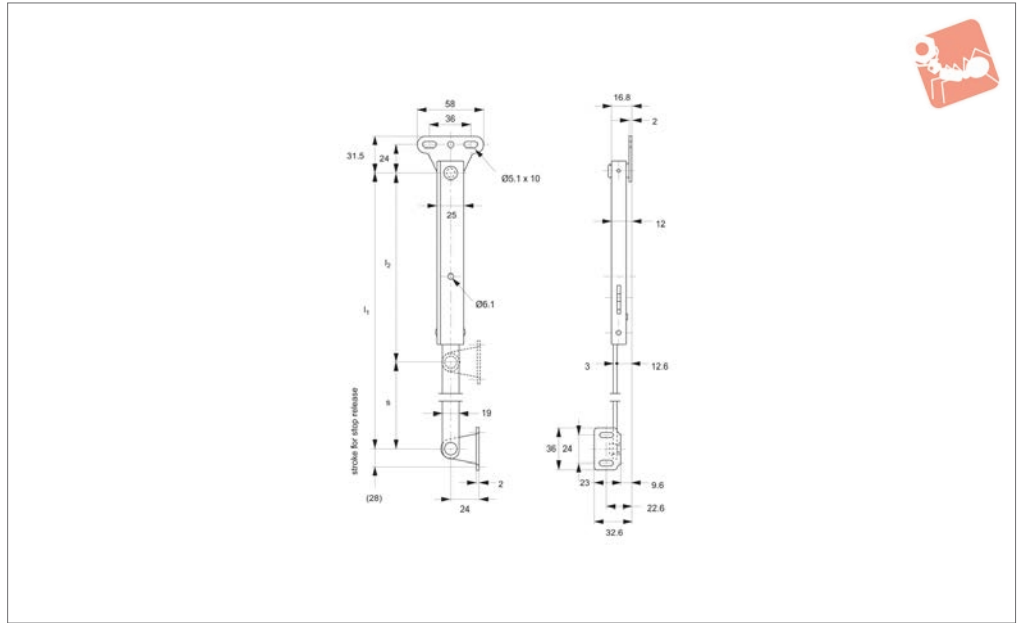
ov-WN0020-A-T-WN0640-A-T-lid-stays-product-selection-charts-rnh- Updated -24-10-2022



LID & DOOR STAYS



## N0550



### Material

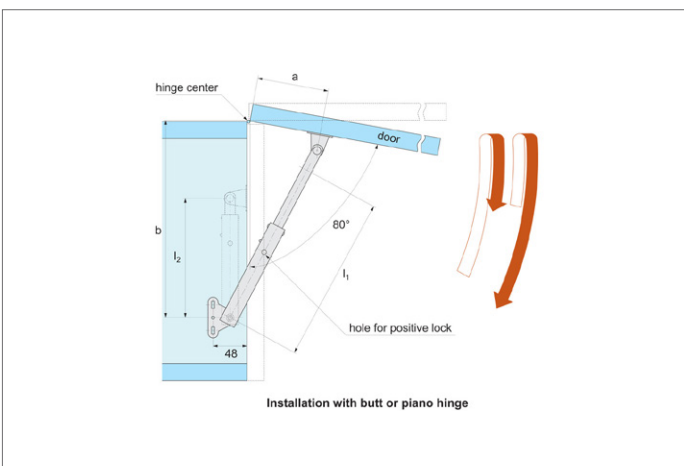
Stainless steel, AISI 304, satin finish.

Max. load is per stay, only one required per lid. Stay has a positive stop to hold lid in fully open position. For use with piano or butt hinge.

### Technical Notes

Universal left or right hand application.

Order No.	Opening angle	Stop release stroke r	$l_1$	$l_2$	a	b	s	Load N max.
N0550.AC0005	80° max.	(28)	200	155	56	219	45	30
N0550.AC0010	80°	(28)	350	230	128	364	120	25
N0550.AC0020	80°	(28)	500	305	195	510	195	20

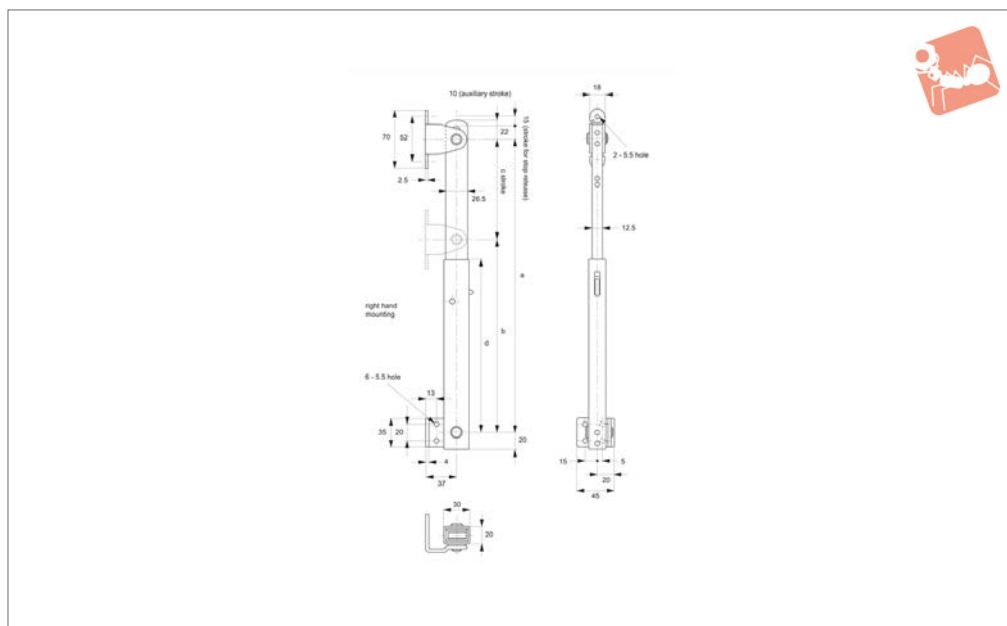




# Lid Stays - Multi-Angled

heavy duty - stainless steel

# Lid & Door Stays



**N0600**

LID & DOOR STAYS

### Material

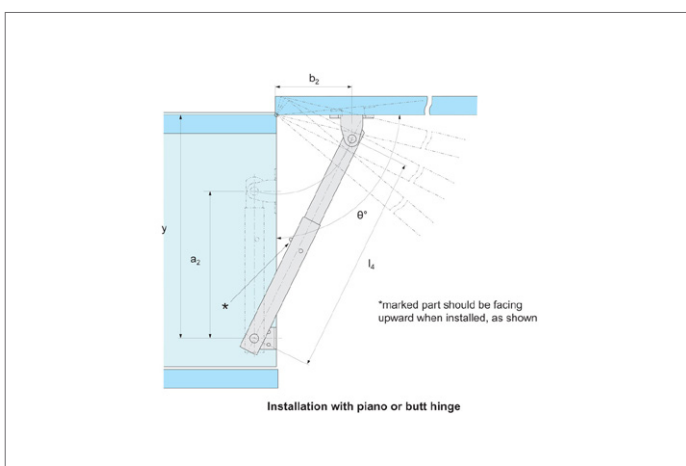
Stainless steel, AISI 304, satin finish.

### Technical Notes

Left or right hand specific, please refer to

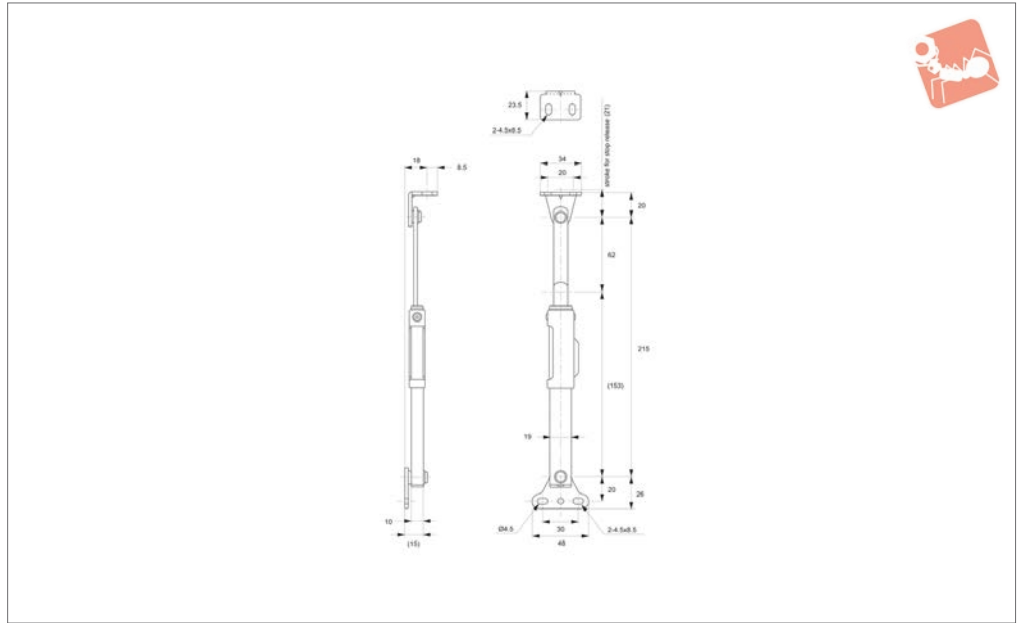
table. Stay has ratchet mechanism to hold lid at multiple angles during opening motion. See 'Stop Positions' in table.

Order No.	Opening angle	Type	No. of stop positions	Stop release stroke r	a	b	c	d	Load kg max.	Weight g
N0600.AC0010	90°	Right	4	15	350	230	120	352	70	715
N0600.AC0020	90°	Right	6	15	450	280	170	442	70	820
N0600.AC0110	90°	Left	4	15	350	230	120	352	70	715
N0600.AC0120	90°	Left	6	15	450	280	170	442	70	820





### N0620



#### Material

Stainless steel, AISI 304, with polyacetal bushing.

Universal, for both right and left applications.

suitable for clean room, semi-conductor and food industry applications.

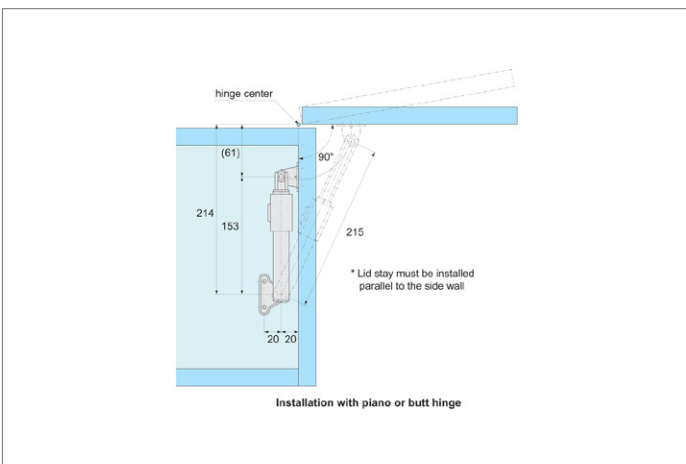
#### Technical Notes

Holds lid in fully open position.

#### Tips

Plastic bushings and end caps minimise particle displacement making the stay

Order No.	Opening angle max.	Type	Load capacity/each kg
N0620.AC0195	90°	Universal	15

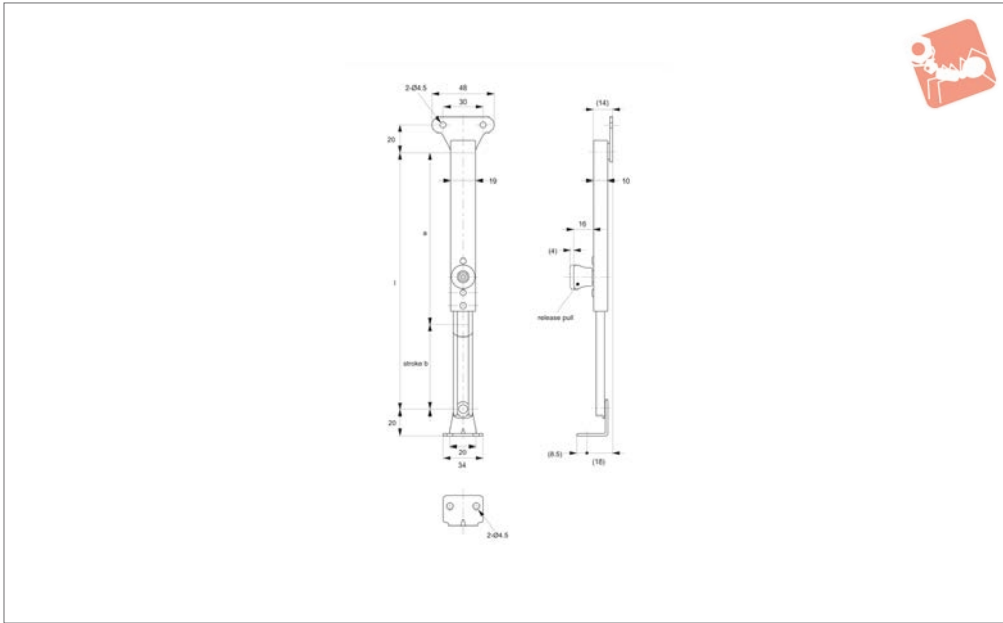




# Lid Stay - with Locking

stainless steel

# Lid & Door Stays



## N0640

LID & DOOR STAYS

### Material

Body: stainless Steel, AISI 304, satin finish.  
Locking button: polyacetal dark grey.

### Technical Notes

When fully extended stay is mechanically

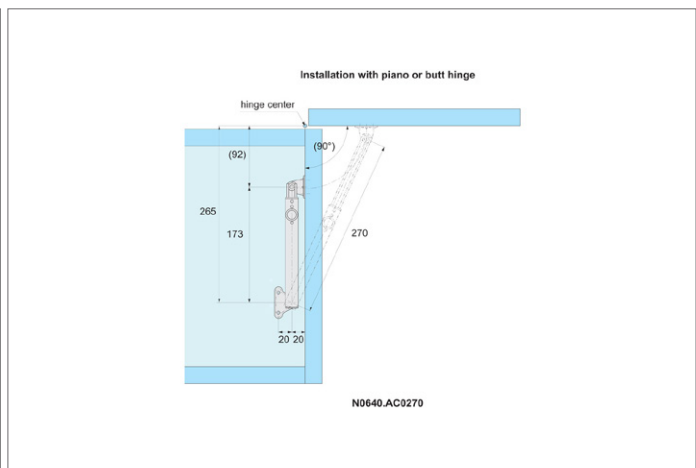
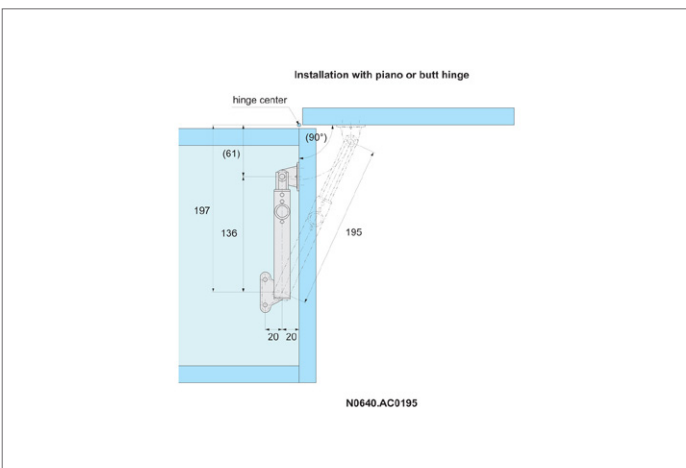
locked. Pull locking button to release the stay. Universal for right and left hand applications.

### Tips

Mechanical lock makes the stay ideal for applications where shocks, vibration or

sudden gusts of wind are present.

Order No.	Opening angle	a	b	l	Load capacity kg	Weight g
	max.					
<b>N0640.AC0195</b>	90°	133	62	195	30	126
<b>N0640.AC0270</b>	90°	170	100	270	30	147

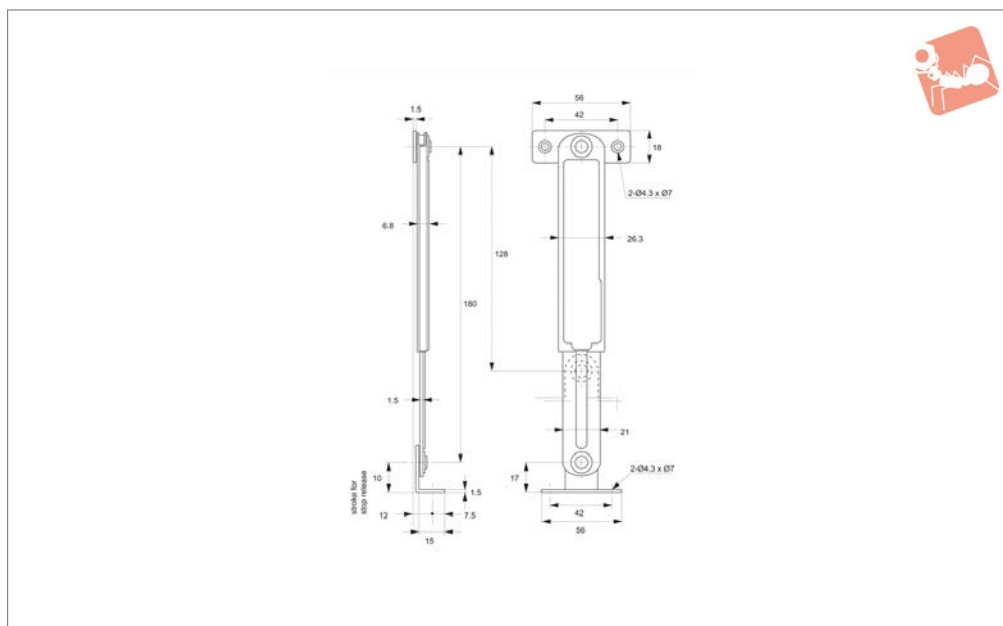




LID & DOOR STAYS



**N0700**



**Material**

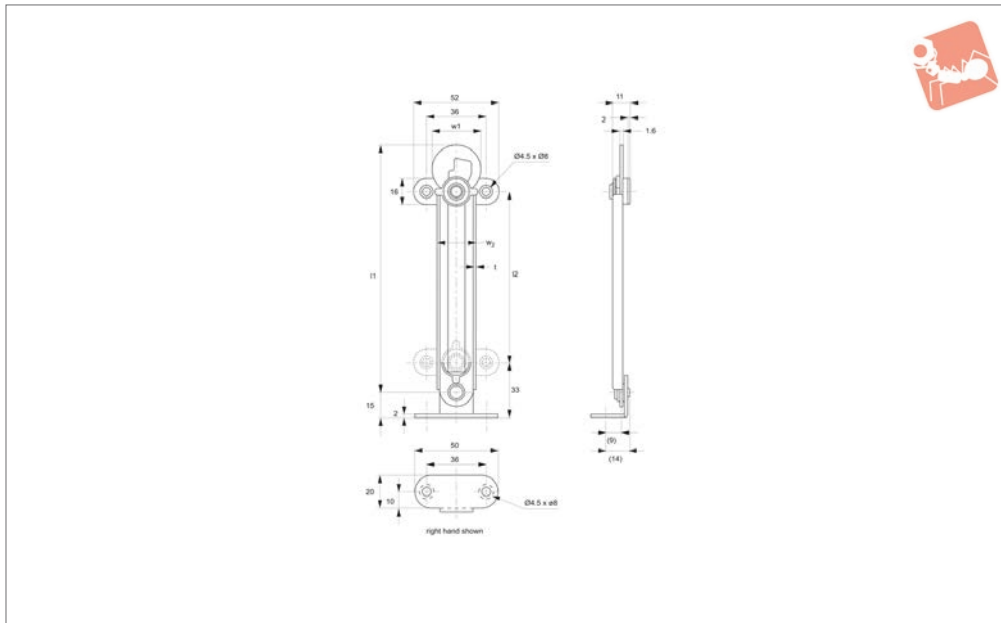
Body: stainless steel, AISI 304, satin finish.

**Technical Notes**

Universal for right and left hand application. Screws not included. Ratchet

mechanism allows lid to stop when released during opening motion.

Order No.	No. of stop positions	Load kg max.	Weight g
N0700.AC0010	15	7	127



**N0800**

LID & DOOR STAYS

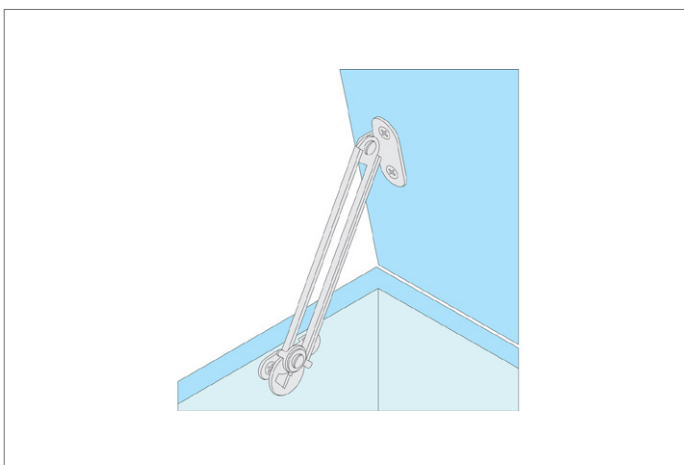
**Material**

Stainless steel, AISI 304, polished finish.

**Technical Notes**

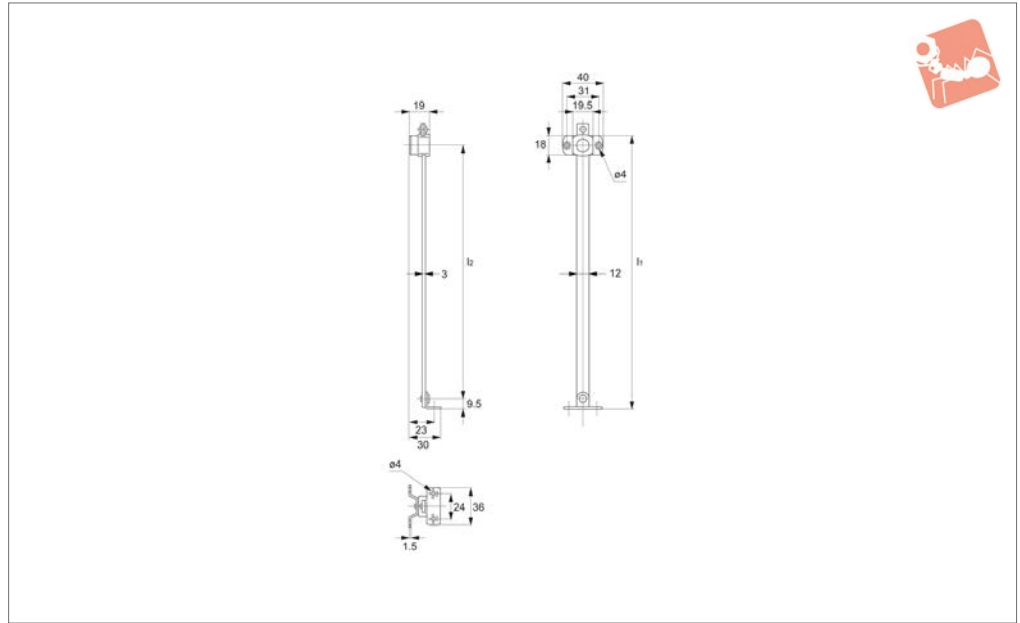
Left or right hand specific, please refer to table. Holds lid in open position.

Order No.	Type	$l_1$	$l_2$	$t$	$w_1$	$w_2$	Load kg max.	Weight g
<b>N0800.AC0010</b>	Right	277	230	2.0	30	24	40	120
<b>N0800.AC0020</b>	Right	198	152	1.5	28	23	40	85
<b>N0800.AC0030</b>	Right	150	105	1.5	28	23	30	75
<b>N0800.AC0110</b>	Left	277	230	2.0	30	24	40	120
<b>N0800.AC0120</b>	Left	198	152	1.5	28	23	40	85
<b>N0800.AC0130</b>	Left	150	105	1.5	28	23	30	75





**N0850**



**Material**

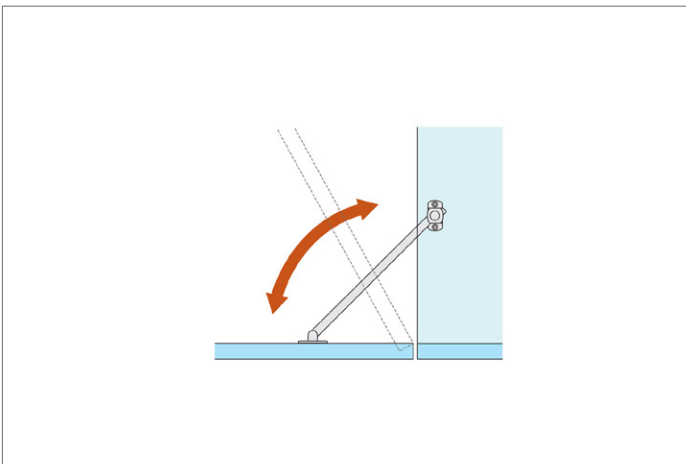
Stainless steel, AISI 304, and polyamide.

For use on cabinets with downward opening lid.

**Technical Notes**

Universal left or right hand application.

Order No.	$l_1$	$l_2$	Weight g
N0850.AC0180	210	180	80
N0850.AC0210	240	210	90
N0850.AC0240	270	240	100



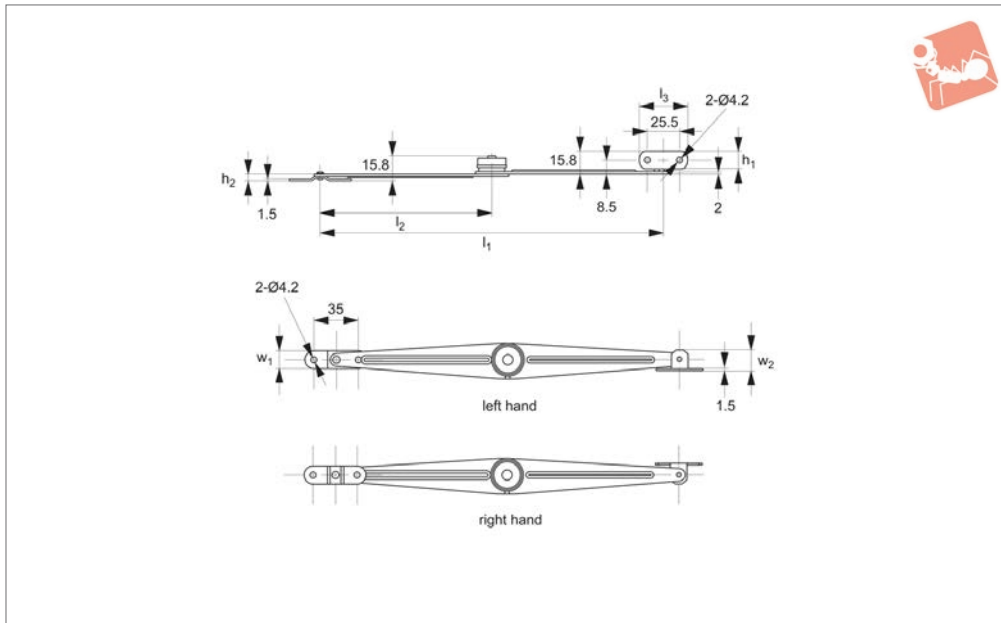




# Lid Stays - Upward Opening Lid

steel

## Lid & Door Stays



**N0855**

LID & DOOR STAYS

**Material**

Steel, chrome plated.

ball at pivot point to provide positive stop.

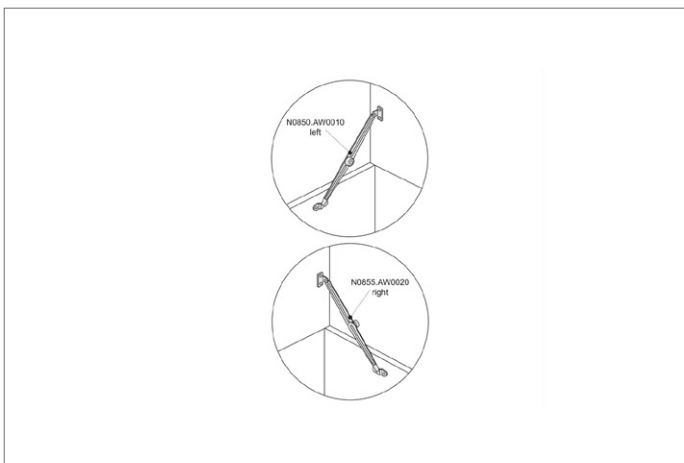
**Technical Notes**

Fitted with positioning spring and steel

**Important Notes**

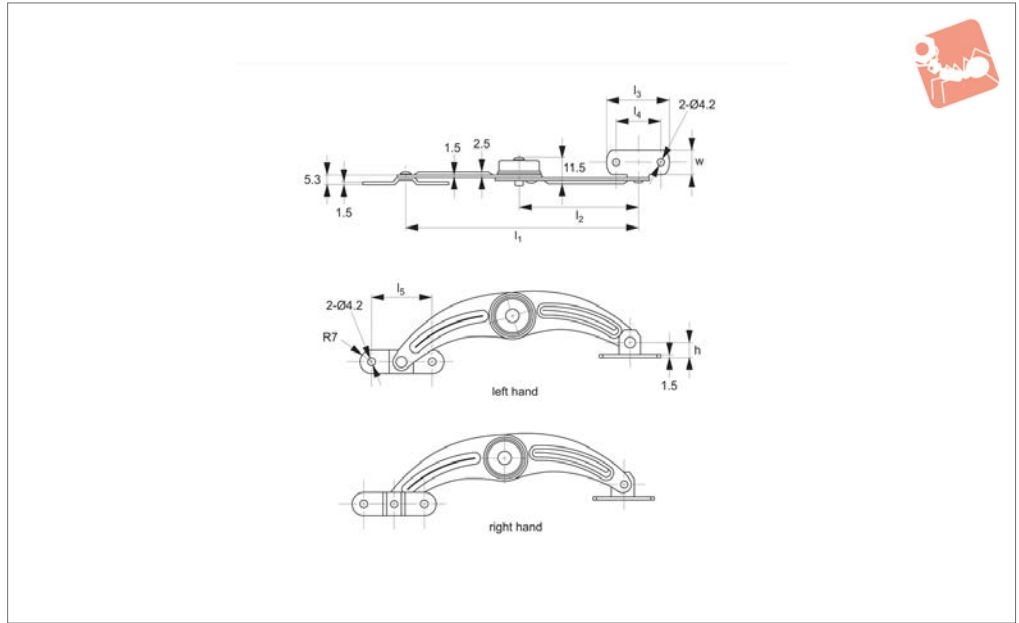
Right or left handed, please refer to table.  
Ideal for screw or weld-on mounting.

Order No.	Hand	$l_1$	$l_2$	$l_3$	$h_1$	$h_2$	$w_1$	$w_2$
N0855.AW0010	Left	268	134	36.5	14	5.8	14	9
N0855.AW0020	Right	268	134	36.5	14	5.8	14	9





**N0857**



**Material**

Steel, bright chrome plated.

**Technical Notes**

Fitted with positioning spring and steel

ball at pivot point to provide positive stop.

**Important Notes**

Right or left handed, please refer to table.

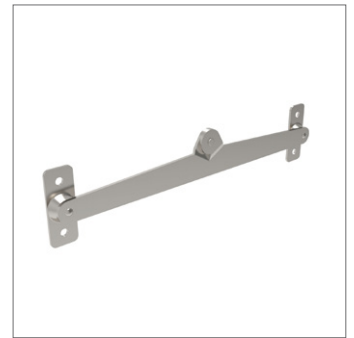
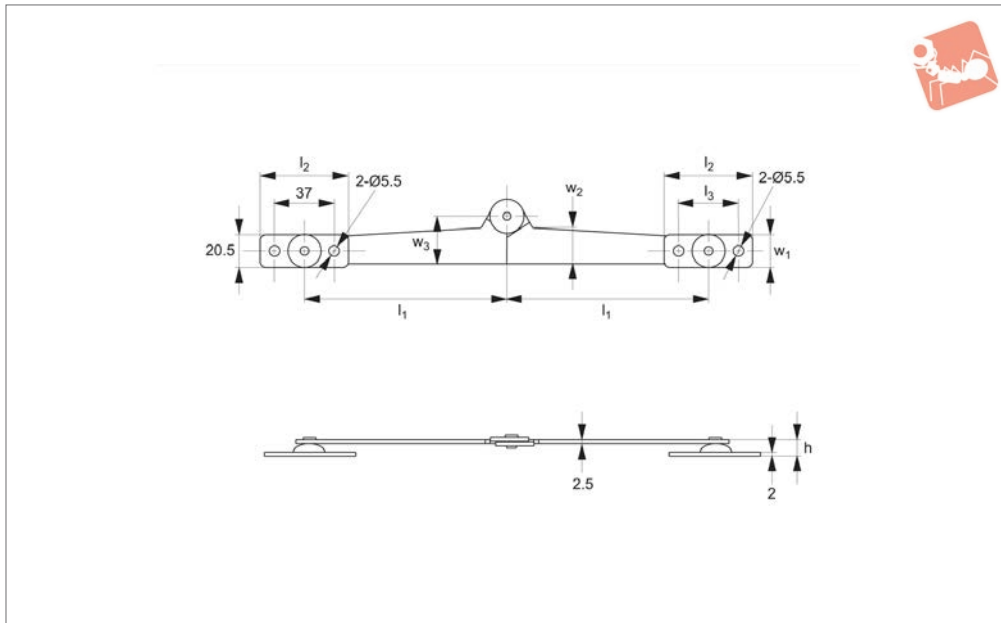
Ideal for screw or weld-on mounting.

Order No.	Hand	$l_1$	$l_2$	$l_3$	$l_4$	$l_5$	h	w
N0857.AW0010	Right	134	67	36.5	25.5	35	9	14
N0857.AW0020	Left	134	67	36.5	25.5	35	9	14



# Lid stays - Upward Opening Lid steel

## Lid & Door Stays



**N0859**

LID & DOOR STAYS

**Material**

Steel, chrome plated.

tions. Ideal for screw or weld-on application.

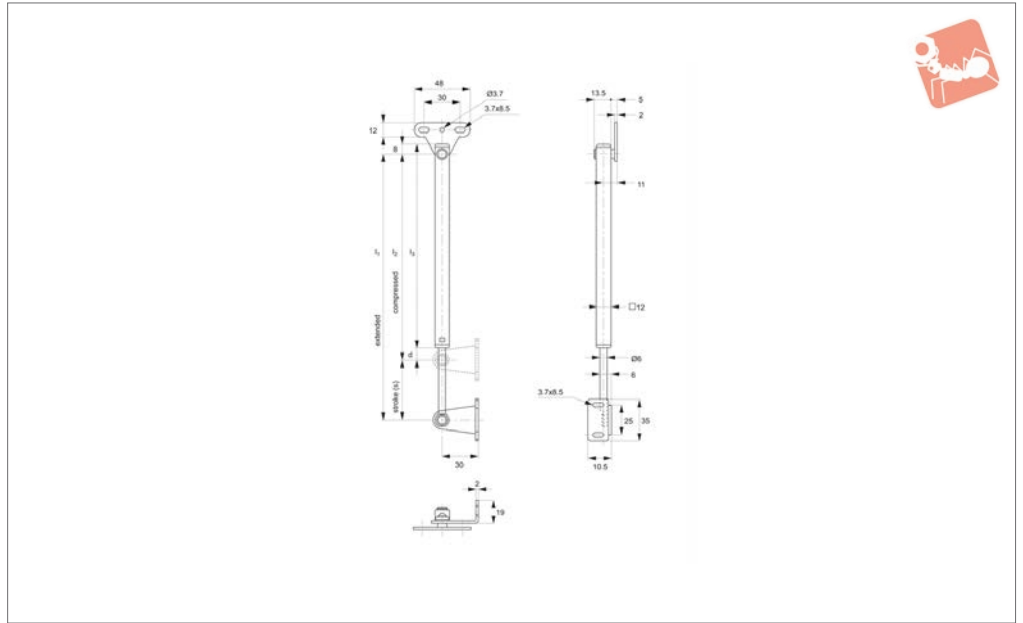
**Technical Notes**

Universal for right and left hand applica-

Order No.	$l_1$	$l_2$	$l_3$	h	$w_1$	$w_2$	$w_3$
N0859.AW0010	124	55.5	37	9.5	20.5	22	29



## N0900



### Material

Stainless steel, AISI 304, satin finish.

holds in open position (see installation table for suitable lid weights).

### Important Notes

Spring mechanism assists lifting door and

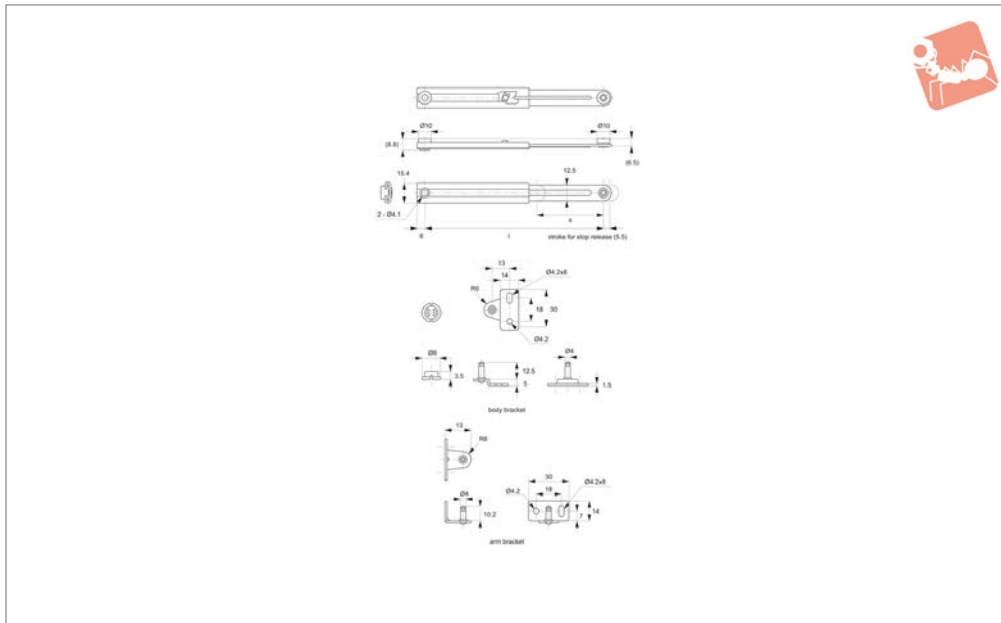
Order No.	$l_1$	$l_2$	$l_3$	d	s	Extended force kgf	Compressed force kgf	Weight g
N0900.AC0010	222	172	170	10	50	3.2	7.0	145
N0900.AC0020	335	250	238	20	85	3.8	8.5	185
N0900.AC0030	380	280	269	19	100	3.6	8.5	205



# Lid Stays

positive stop - stainless steel

# Lid & Door Stays



**N0920**

LID & DOOR STAYS

**Material**

Body: stainless steel, AISI 304, polished.  
Washer: polyacetal.

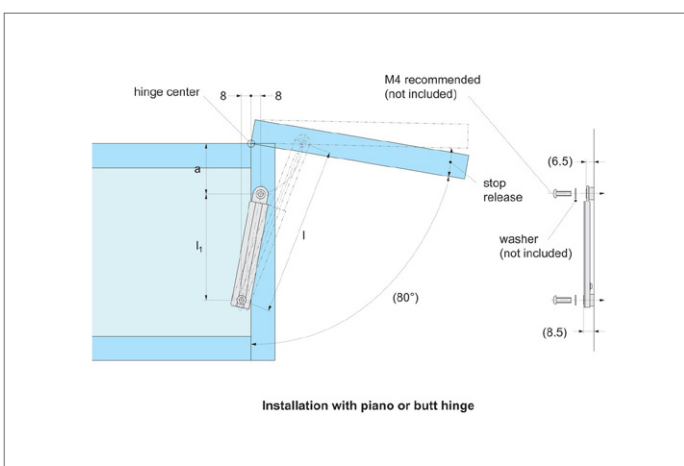
**Technical Notes**

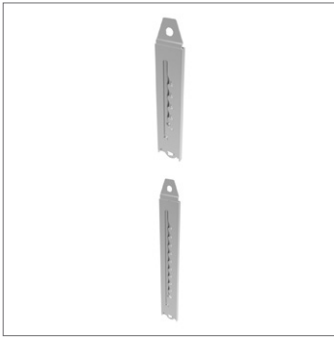
Positive stop keeps lid opened. Compact

size. Easy fitting with M 4 screw (please order separately, see table) or with mounting bracket set.

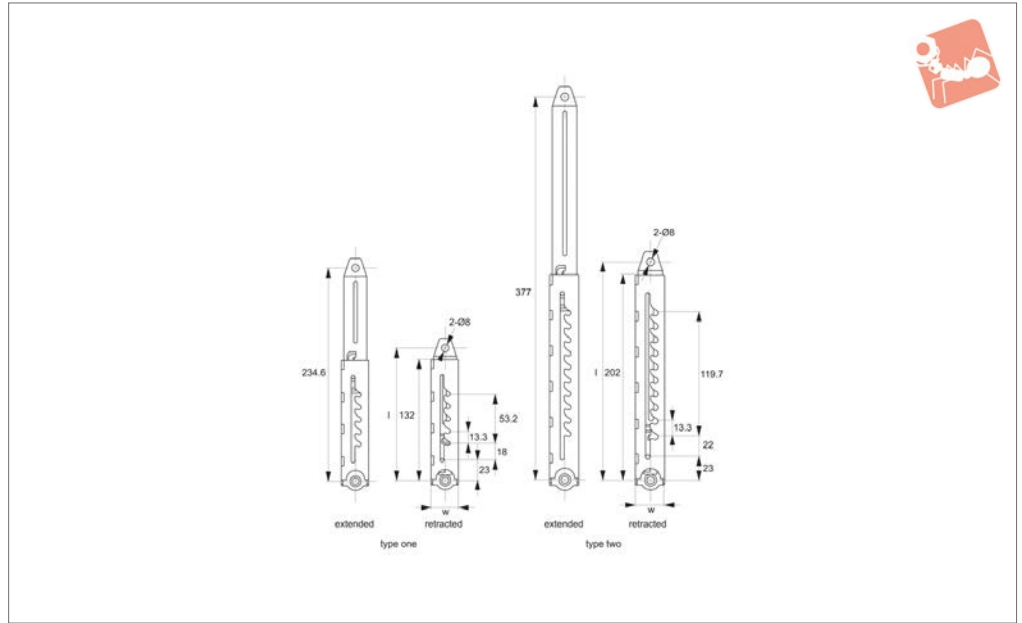
Mounting bracket set contains one body bracket and one arm bracket.

Order No.	Stop release stroke r	$l_1$	$l_2$	a	s	Load N max.	Stop release angle	Weight g
N0920.AC0100	5.5	100	67	24	32	6.0	15°	31
N0920.AC0140	5.5	140	88	42	52	6.0	9°	38
N0920.AC0950	Mounting Bracket Set	-	-	-	-	-	-	20





## N0924



### Material

Steel, zinc plated.

### Technical Notes

Multiple stops keeps lid open at various

heights. To release lid extend fully, then retract.

Load Bearing:

N0924.AW0010- 250N (25kgs)

N0924.AW0020- 600N (61kgs)

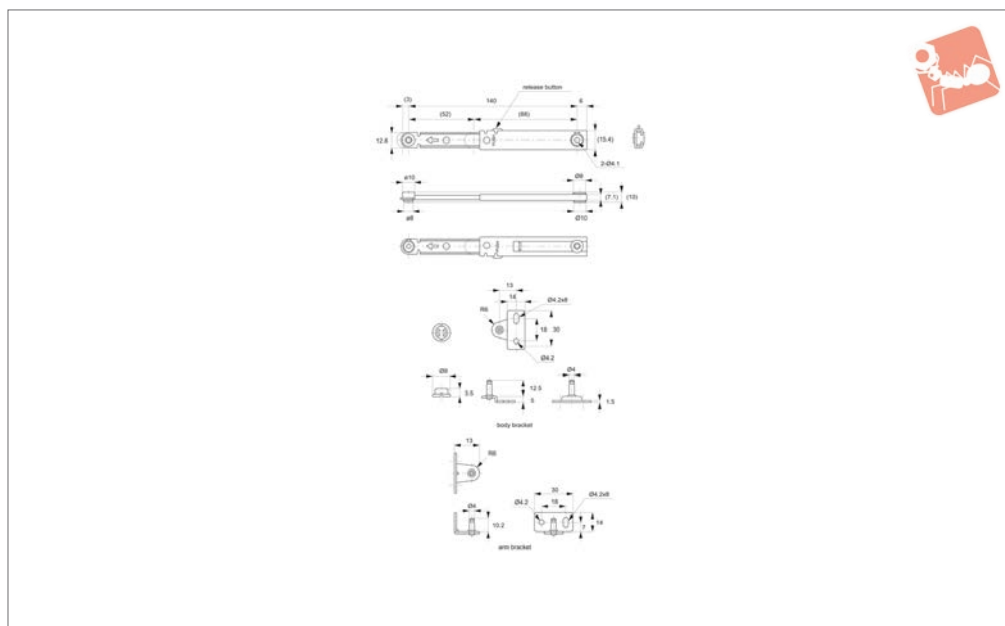
Order No.	Type	No. of stop positions	l	w
N0924.AW0010	One	5	145	29.5
N0924.AW0020	Two	10	217	29.5



# Lid Stays - Locking

stainless steel

# Lid & Door Stays



**N0930**

LID & DOOR STAYS

**Material**

Stainless steel, AISI 304.

**Technical Notes**

When fully extended stay is mechanically locked. Push locking button in-ward to

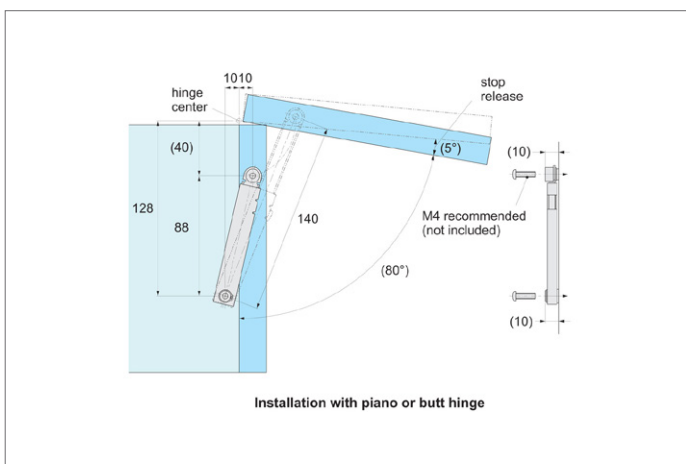
release the stay. Universal for right and left hand applications. Easy fitting with M 4 screws or with mounting bracket set - please order separately, see table. Mounting bracket set contains one body bracket

and one arm bracket.

**Tips**

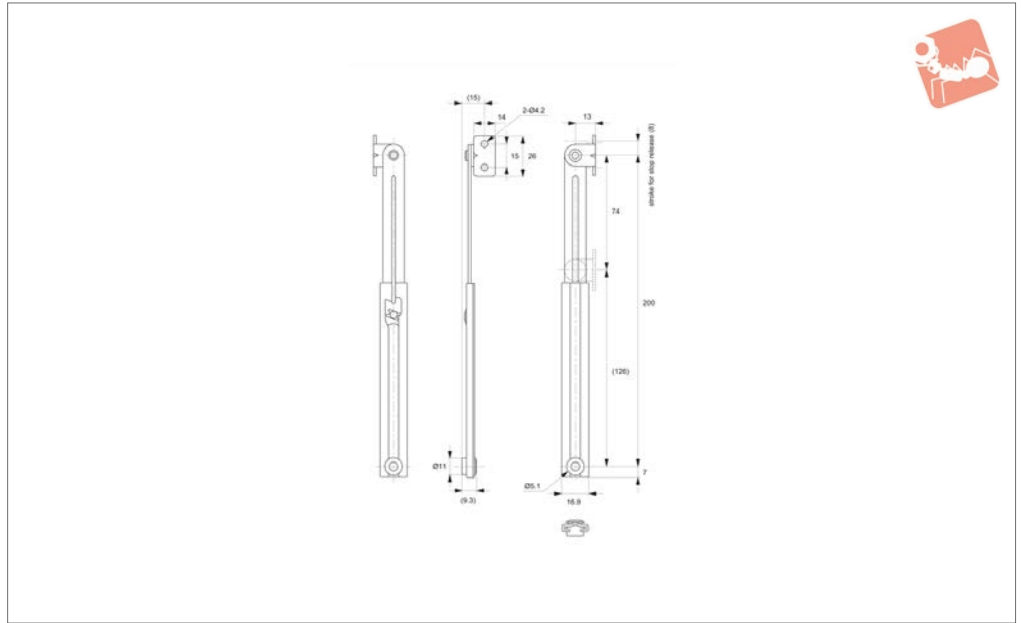
Mechanical lock makes the stay ideal for applications where shocks, vibration or sudden gusts of wind are present.

Order No.	Opening angle	Type	Load capacity/each kg	Weight g
N0930.AC0140	max. 80°	Universal	15	40





**N0940**

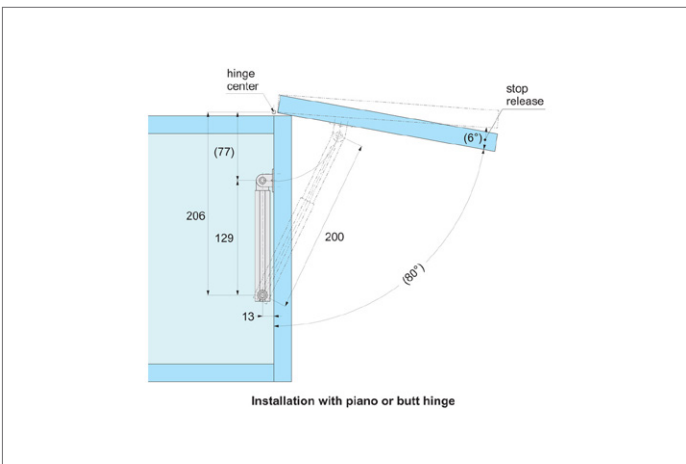


**Material**  
Stainless steel, AISI 304.

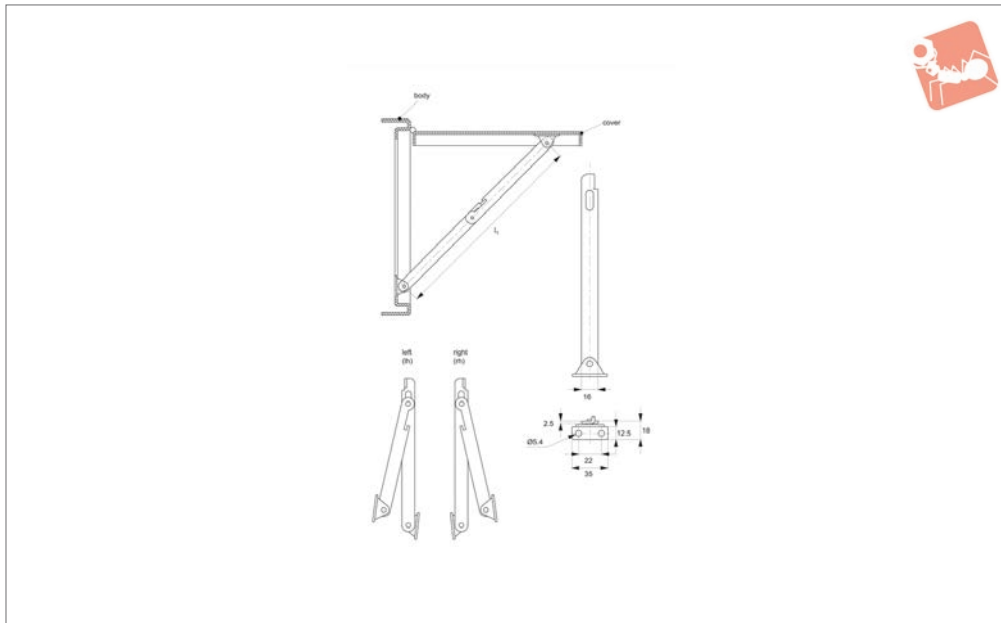
design. Universal for right and left hand applications.

**Technical Notes**  
Positive stop keeps lid open. Compact

Order No.	Opening angle max.	Extended length	Stroke for stop release	Load capacity/each kg	Weight g
N0940.AC0200	80°	200	8	15	65







## N0950

LID & DOOR STAYS

### Material

Steel, zinc plated.

table. Ideal for screw or weld-on mounting.

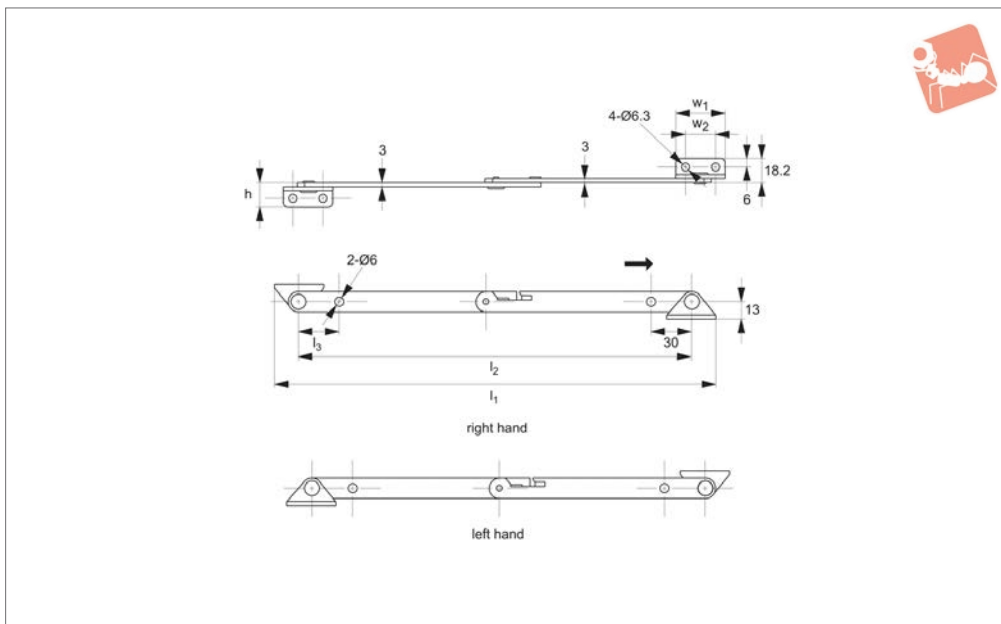
### Technical Notes

Left or right hand specific, please refer to

Order No.	Hand	l <sub>1</sub>
N0950.AC0008	Right	202
N0950.AC0006	Right	135
N0950.AC0010	Right	292
N0950.AC0106	Left	135
N0950.AC0108	Left	202
N0950.AC0110	Left	292



**N0951**



**Material**

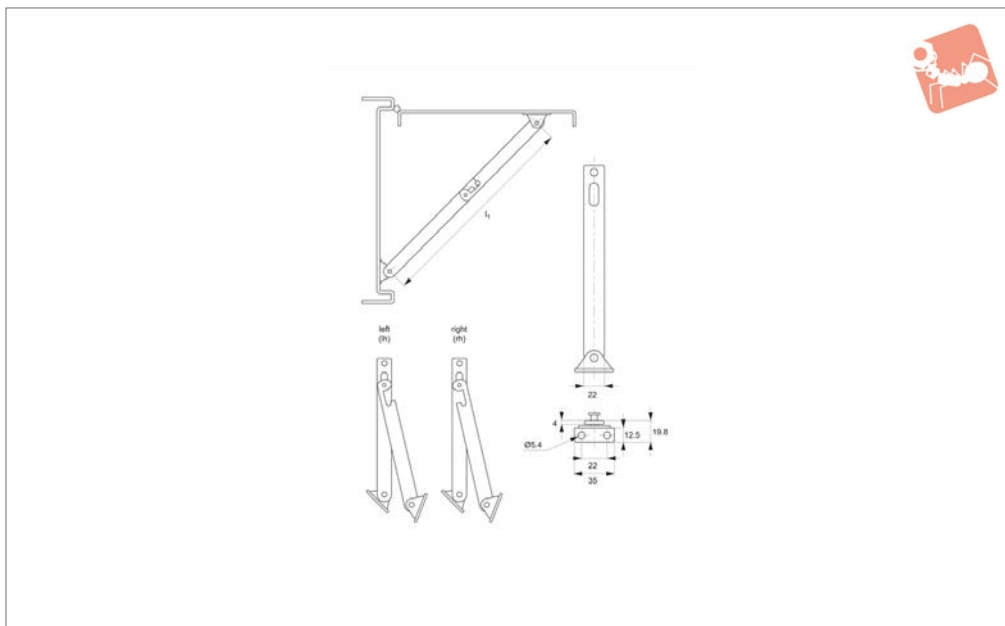
Stainless steel AISI 304.

table. Ideal for screw or weld-on mounting.

**Technical Notes**

Left or right hand specific, please refer to

Order No.	Hand	$l_1$	$l_2$	$h_1$	$w_1$	$w_2$
N0951.AW0010	Left	326	290	18.2	36	22
N0951.AW0020	Right	326	290	18.2	36	22



## N0952

LID & DOOR STAYS

### Material

Steel, zinc plated.

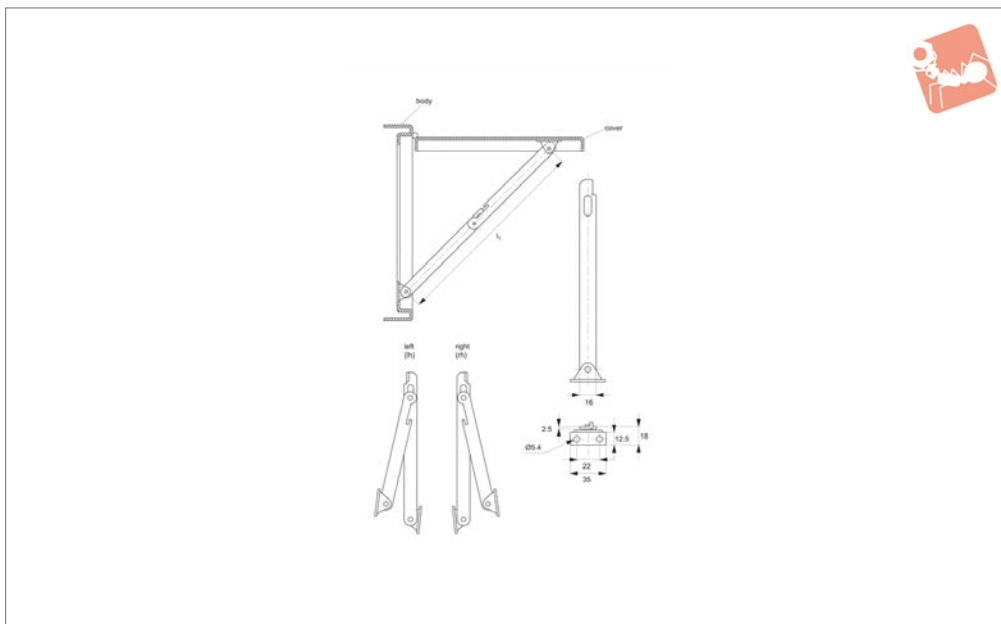
### Technical Notes

Right or left handed, please refer to table.  
Ideal for screw or weld-on mounting.

Order No.	Hand	l <sub>1</sub>
N0952.AC0006	Right	135
N0952.AC0106	Left	135
N0952.AC0008	Right	202
N0952.AC0108	Left	202
N0952.AC0010	Right	292
N0952.AC0110	Left	292



## N0954



### Material

Stainless steel, AISI 304.

### Technical Notes

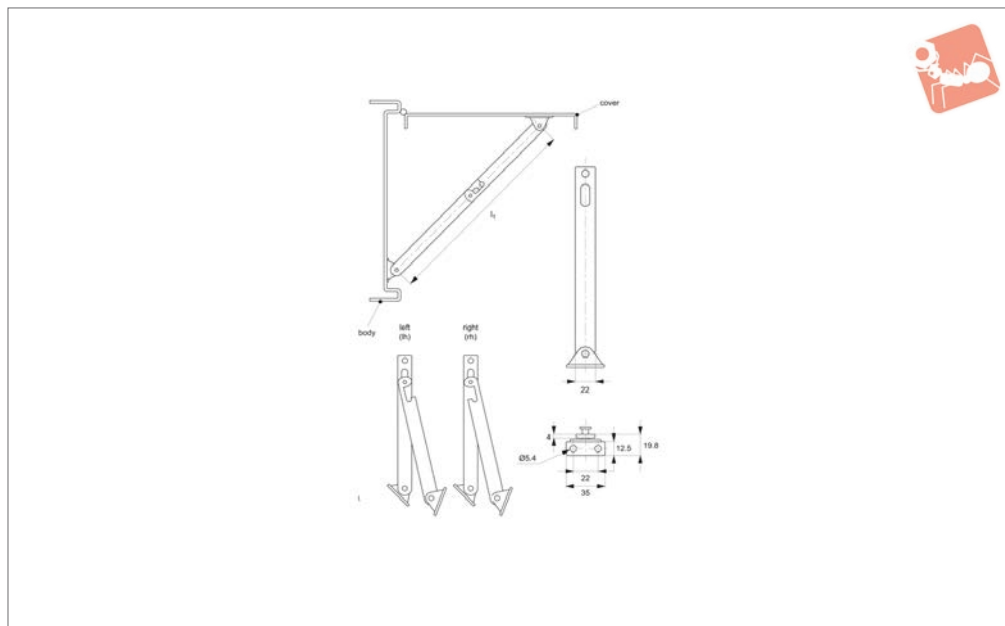
Right or left handed, please refer to table.  
Ideal for screw or weld-on mounting.

Order No.	Hand	$l_1$
N0954.AC0006	Right	135
N0954.AC0008	Right	202
N0954.AC0010	Right	292
N0954.AC0108	Left	202
N0954.AC0106	Left	135
N0954.AC0110	Left	292



# Lid Stays - Heavy Duty stainless steel

## Lid & Door Stays



### N0956

LID & DOOR STAYS

#### Material

Stainless steel, AISI 304.

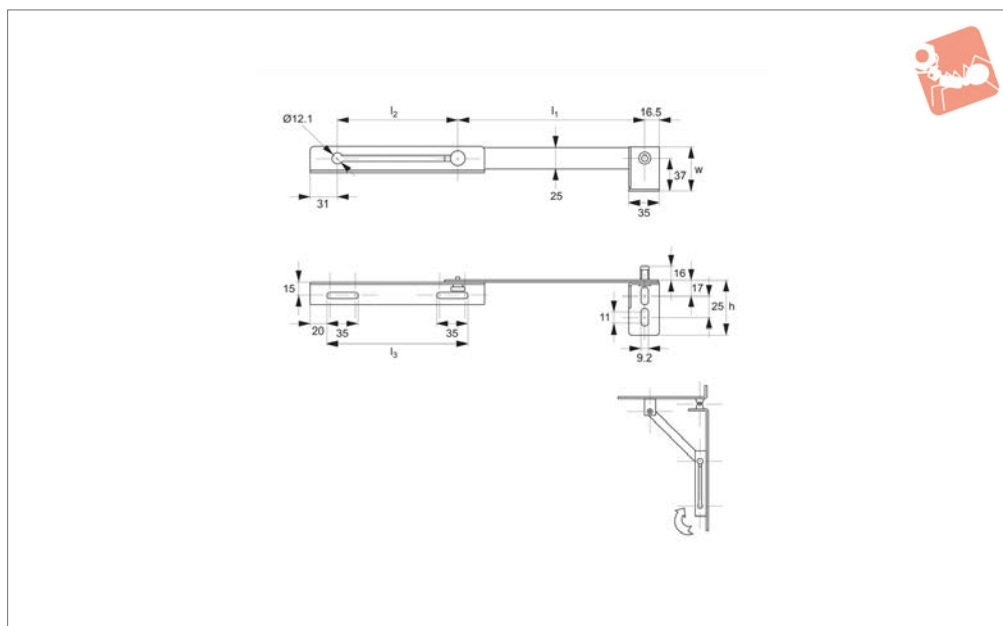
#### Technical Notes

Right or left handed, please refer to table.  
Ideal for screw or weld-on mounting.

Order No.	Hand	$l_1$
N0956.AC0006	Right	135
N0956.AC0008	Right	202
N0956.AC0010	Right	292
N0956.AC0106	Left	135
N0956.AC0108	Left	202
N0956.AC0110	Left	292



**N0982**



**Material**

Stainless steel AISI 304.

and bracket can be fixed on either side - to suit both left and right installation.

**Technical Notes**

Universal left or right hand. Lid stay arm

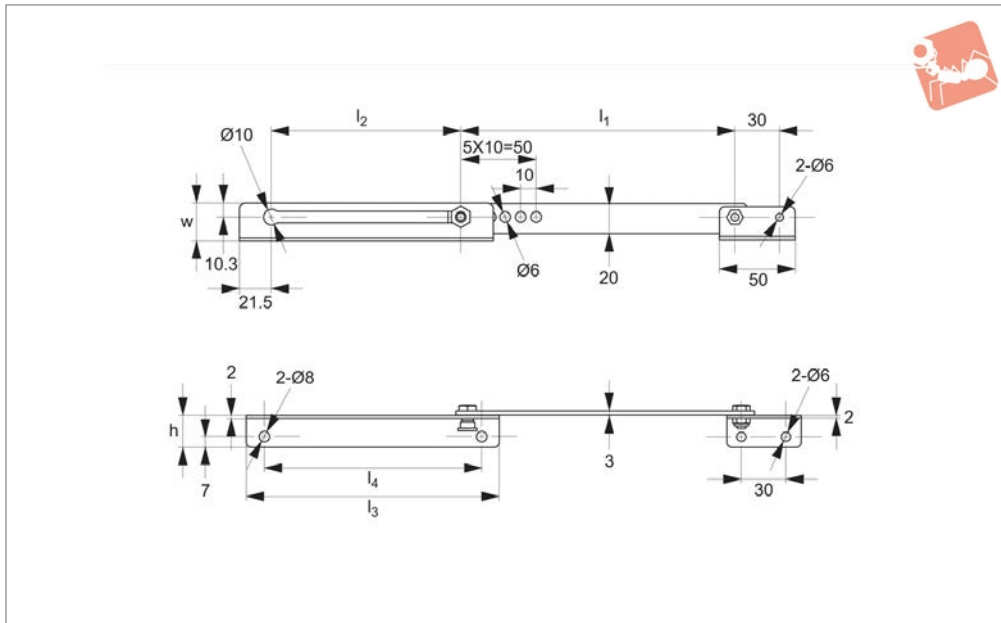
Order No.	$l_1$	$l_2$	$l_3$	$h$	$w$
<b>N0982.AW0010</b>	220	138	160	62	50



# Lid Stay - Positive Stop

variable length - steel

## Lid & Door Stays



**N0984**

LID & DOOR STAYS

**Material**

Stainless steel AISI 304.

**Technical Notes**

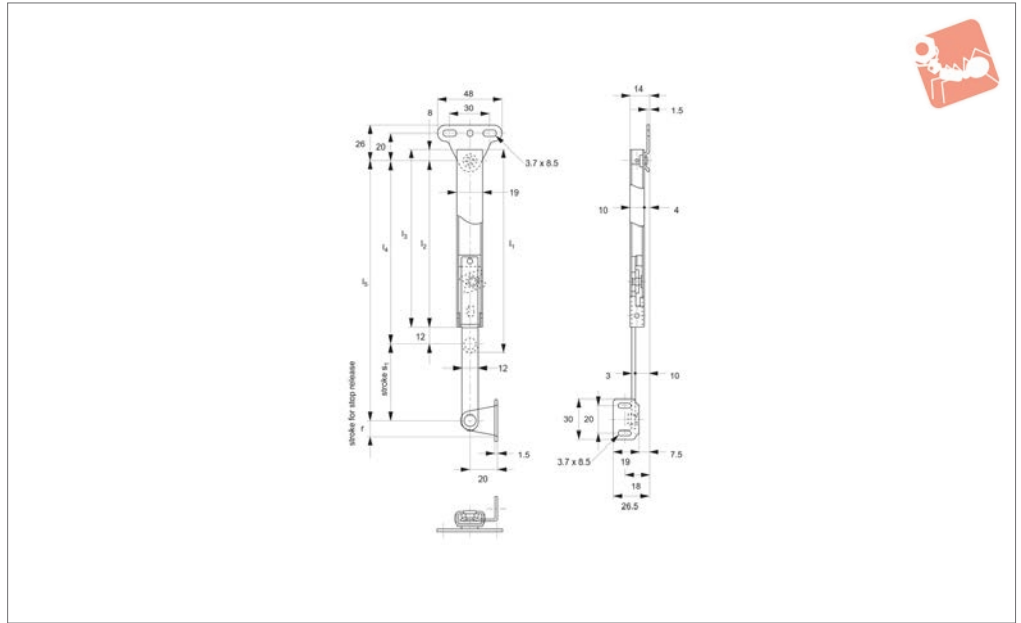
Universal left or right hand. Lid stay arm

and bracket can be fixed on either side - to suit both left and right installation. Stay length  $l_1$  can be adjusted from min. 134 to max. 184mm, via use of 5 holes spaced at 10mm.

Order No.	$l_1$ min.	$l_1$ max.	$l_2$	$l_3$	$l_4$	h	w
N0984.AW010	134	184	127	170	146	21	27



## N0500



### Material

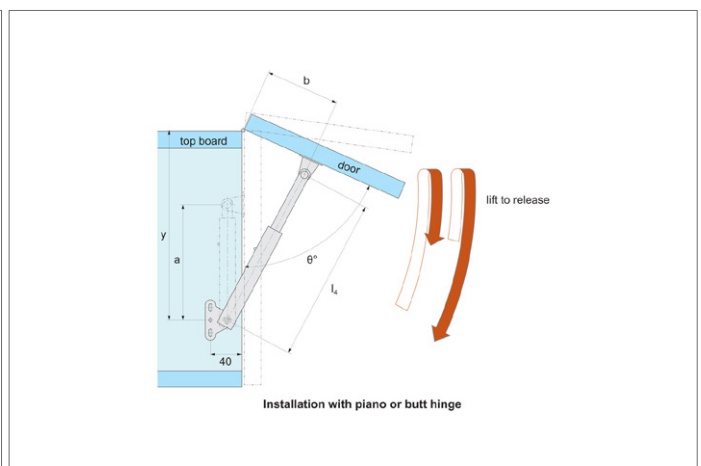
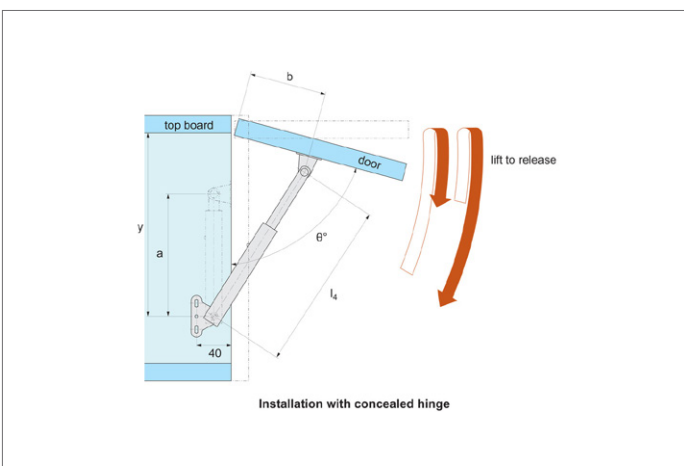
Stainless steel, AISI 304, satin finish.

Max. load Kg is per stay. Only one stay required per lid. Stay has positive stop to hold lid in fully open position. For use with piano or butt hinge.

### Technical Notes

Universal left or right hand application.

Order No.	Opening angle	Stop release stroke r	$l_1$	$l_2$	$l_3$	a	b	c	Load kg max.	Lid height mm	Weight g
	max.										
N0500.AC0014	75°	14.5	148	121	129	133	62	195	15	250 - 350	125
N0500.AC0018	90°	14.5	185	158	166	170	100	270	15	320 - 500	150
N0500.AC0016	90°	22.0	168	141	149	153	62	215	15	260 - 350	140
N0500.AC0020	120°	22.0	205	178	186	190	100	290	15	340 - 500	160



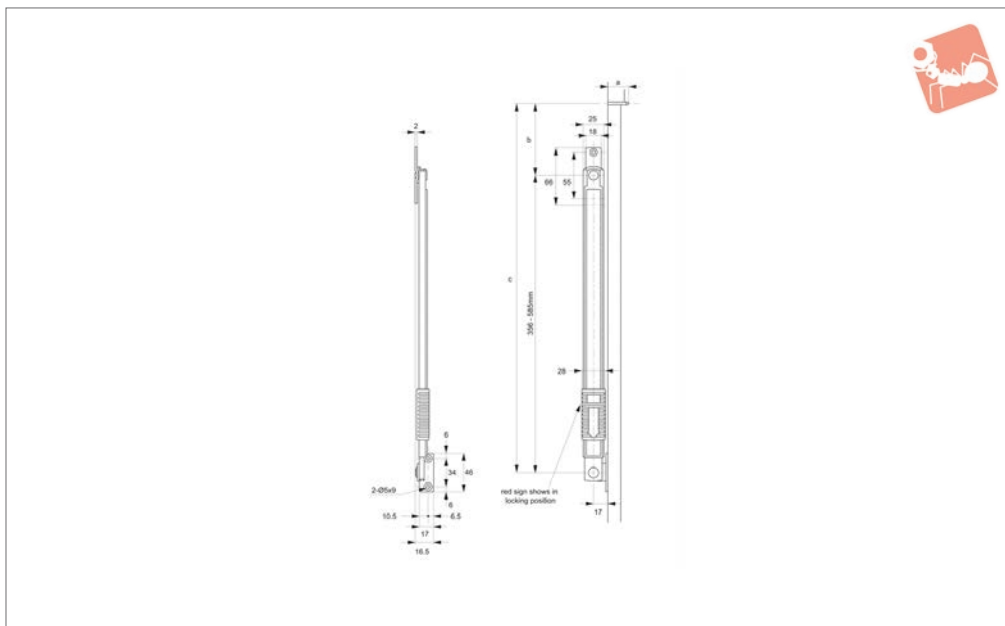




# Door Stays - Multi-Stop

stainless steel

# Lid & Door Stays



## N2000

LID & DOOR STAYS

### Material

Stainless steel, AISI 304, with polyacetal (POM) latch.

### Technical Notes

Holds handle open at multiple angles.

Slide lock lever to lock/unlock stay.

**For outward opening doors only.**

Max. door size:

h = 2000mm

w = 600 - 910mm

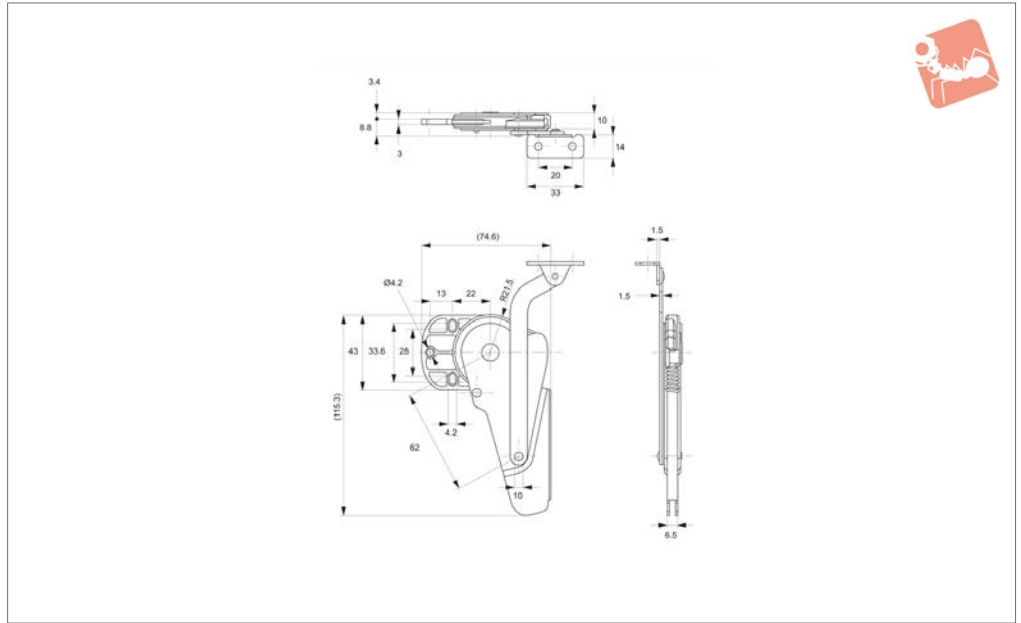
t = 25 - 45mm

See installation table below.

Order No.	Door opening angle max.	Weight g
N2000.AC0010	90°	338



## N2020



### Material

Body: stainless Steel, AISI 304.

with dampening mechanism for soft closing.

door closed. For mounting in the inside top panel of door.

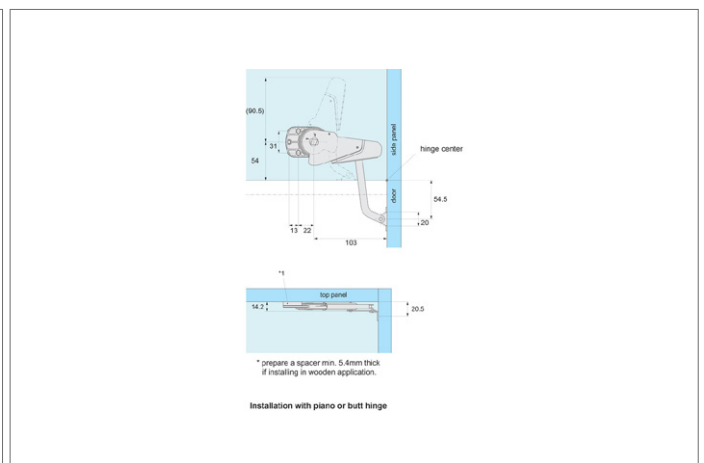
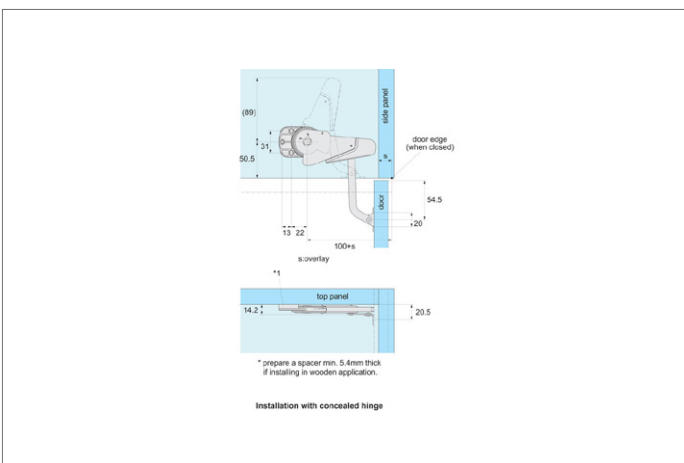
### Technical Notes

Suitable for small lightweight doors to maximum of 0.7Kg, 300mm wide. Equipped

### Tips

Stay holds door in 90° open position. When pushed to close, stay gently pulls

Order No.	Opening angle	Hand	Door weight kg	Door width mm max.
N2020.AC0010	90°	Right	0,3 - 0,7	300
N2020.AC0020	90°	Left	0,3 - 0,7	300

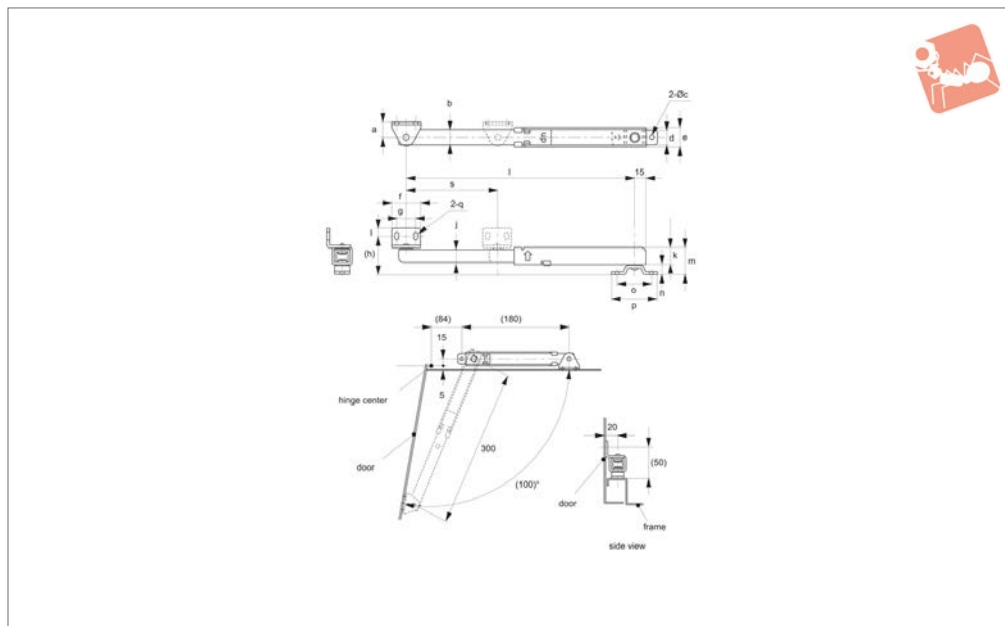




# Door Stays

foot release - 100° opening

# Lid & Door Stays



## N2050

LID & DOOR STAYS

### Material

Steel, yellow zinc chromate.

Install at base of door for quick foot release.

### Important Notes

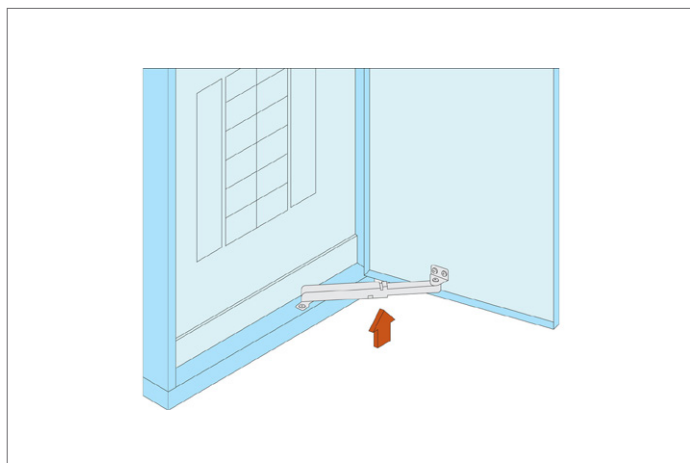
Check max. tensile force for load bearing capacity.

### Technical Notes

Mechanically locks door when fully open.

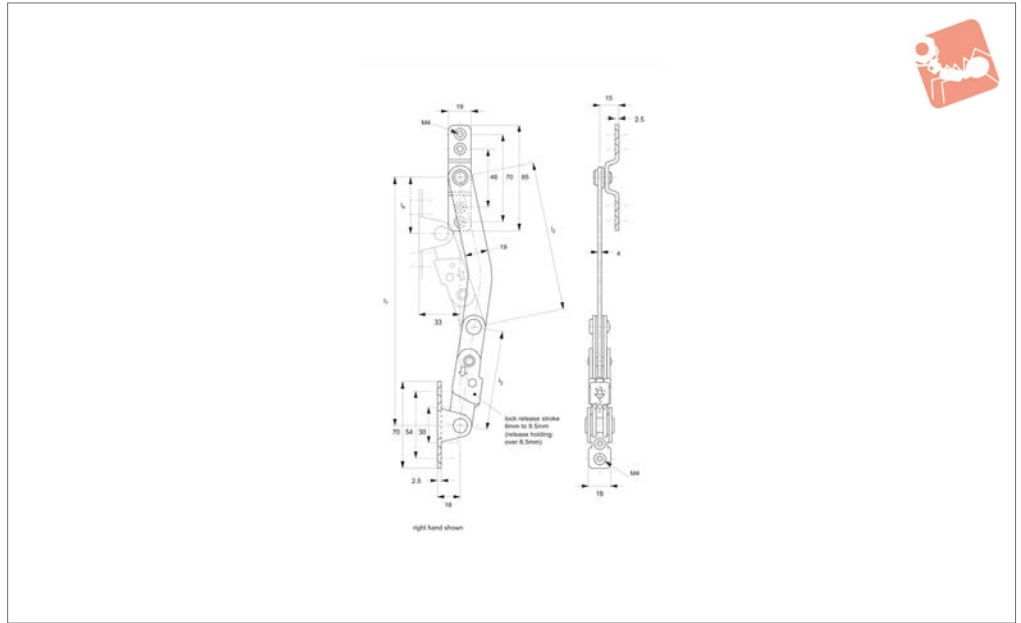
Order No.	a	b	c	d	e	f	g	h	i	Weight g
N2050.AC0005	15	15.9	5.5	17	20.0	33	20	42	8	205
N2050.AC0010	20	20.0	5.5	20	25.5	38	25	50	10	433
N2050.AC0020	20	20.0	9.0	20	25.5	38	25	50	10	460

Order No.	j	k	l	m	n	o	p	q	s	Comp. load kg max.	Tensile force kg max.
N2050.AC0005	15.7	20.0	200	30	2.3	35	50	5,5x8,0	70	50	90
N2050.AC0010	17.0	22.5	300	35	3.2	45	60	5,5x9,5	120	60	150
N2050.AC0020	17.0	22.5	300	35	3.2	50	72	5,5x9,5	120	60	150





## N2100



### Material

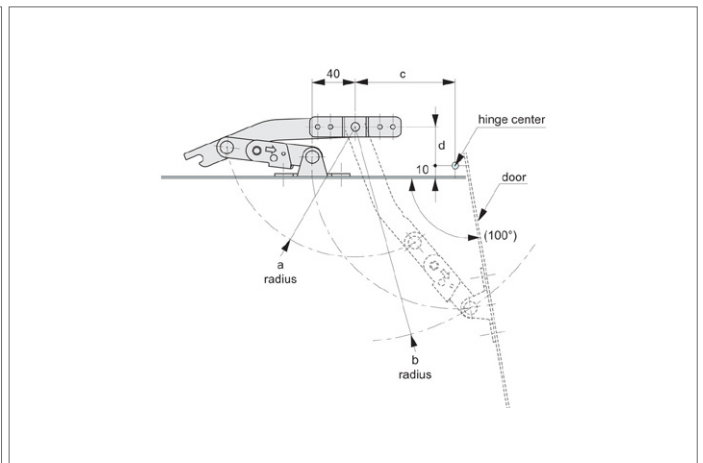
Stainless steel, AISI 304, polished.

### Technical Notes

Mechanically locks door at fully open posi-

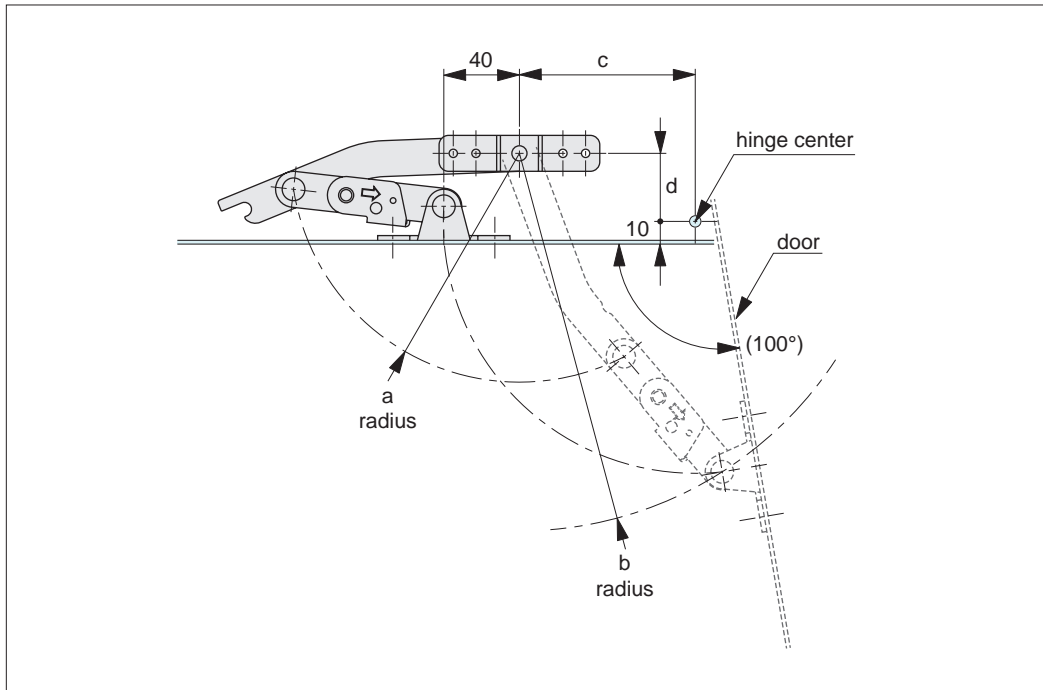
tion. Slide the locking lever to release stay. Lever will remain in unlocked position until the door is returned to fully open position.

Order No.	Type	$l_1$	a	b	c	d	$l_2$	$l_3$	$l_4$	Weight g
N2100.AC0110	Left	200	121	200	93	36	121	80	45	290
N2100.AC0010	Right	200	121	200	93	36	121	80	45	290
N2100.AC0120	Left	280	161	280	145	40	161	120	44	340
N2100.AC0020	Right	280	161	280	145	40	161	120	44	340



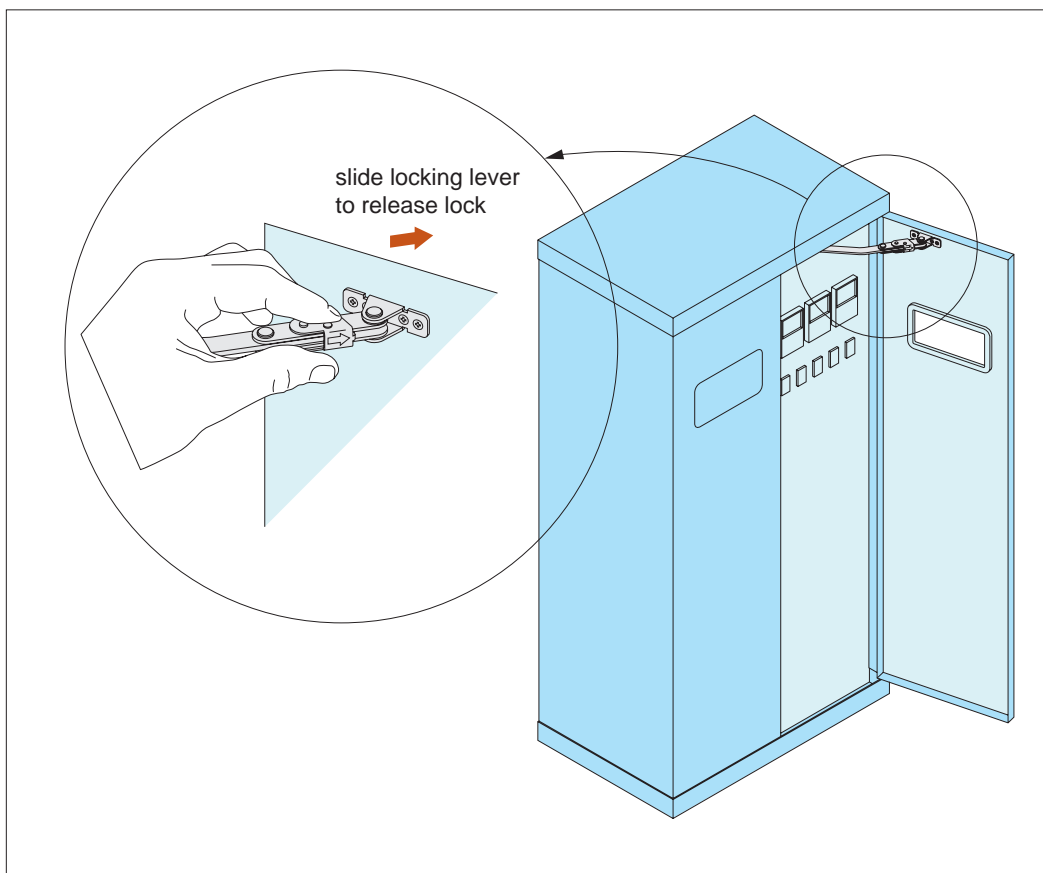


## Installation



## Installation dimensions

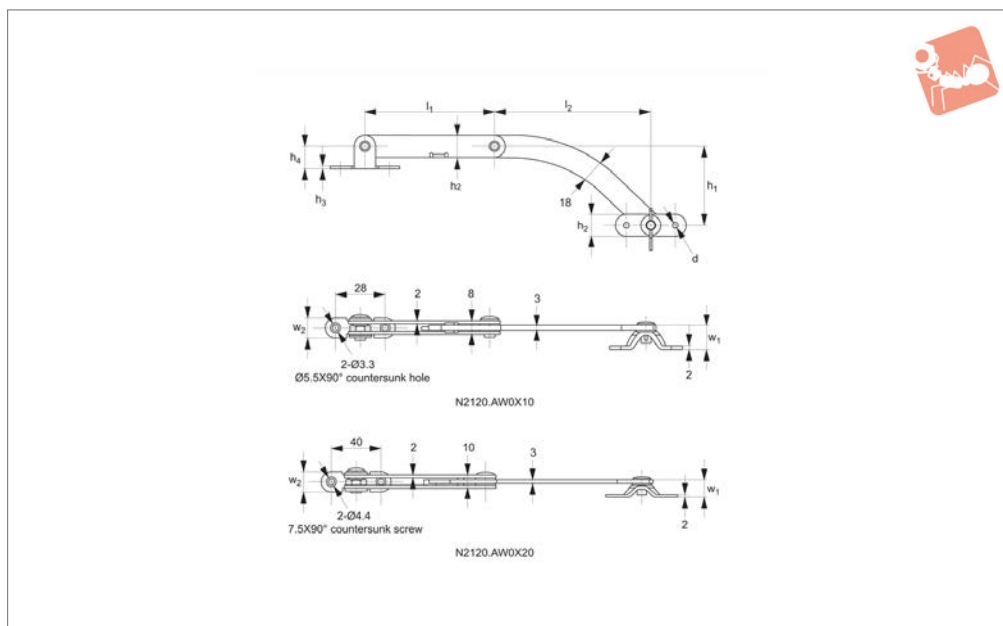
LID & DOOR STAYS



## Easy actuation and release



## N2120



### Material

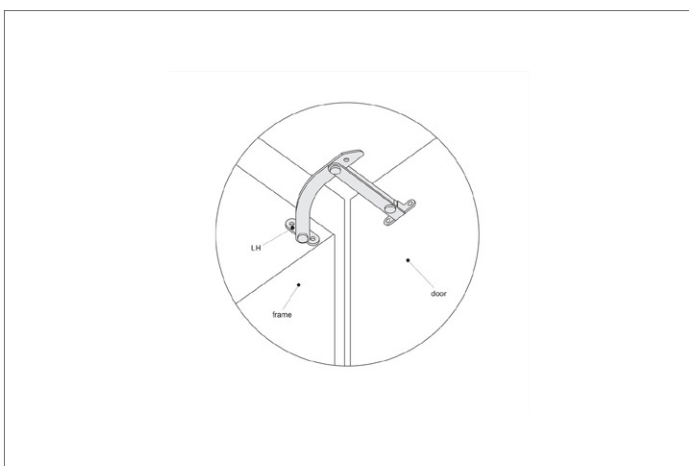
Body: steel, chrome plated.

table. Ideal for screw or weld-on mounting.

### Technical Notes

Select left or right handed - please refer to

Order No.	Hand	$l_1$	$d$	$h_1$	$h_2$	$h_3$	$h_4$	$l_2$	$w_1$	$w_2$
N2120.AW0010	Left	105	2-Ø3,3 Ø5,5X90°	64	18	1.5	12	127	14.0	16
N2120.AW0020	Left	70	2-Ø4,2 Ø6,2X90°	43	12	2.0	18	85	13.5	12
N2120.AW0110	Right	105	2-Ø3,3 Ø5,5X90°	64	18	1.5	12	127	14.0	16
N2120.AW0120	Right	70	2-Ø4,2 Ø6,2X90°	43	12	2.0	18	85	13.5	12

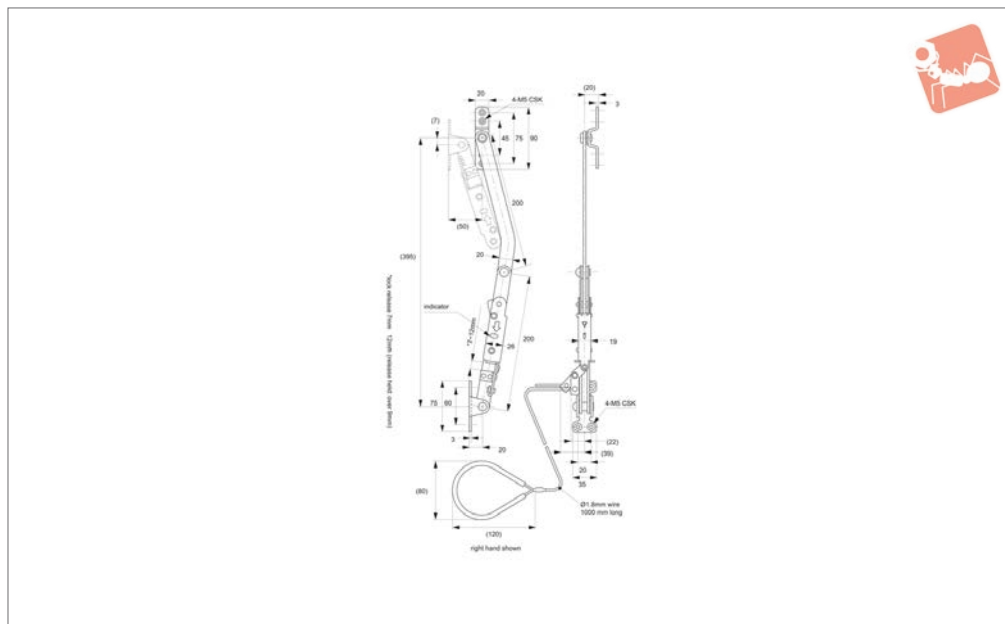




# Door Stays - Heavy Duty

stainless steel - 100° opening

# Lid & Door Stays



## N2200

LID & DOOR STAYS

### Material

All parts from stainless steel, AISI 304.

### Technical Notes

Suitable for heavy duty horizontal door applications. Right and left versions

available, with or without lock release wire.







### Tips

**Locks automatically in open position, can be released via lock release or optional**

**release wire.  
Easy to install.**

Order No.	Type	Finish	Comp. force kg max.	Tensile force kg max.
N2200.AC0010	Right	With Release Wire	60	150
N2200.AC0020	Right	Without Release Wire	60	150
N2200.AC0110	Left	With Release Wire	60	150
N2200.AC0120	Left	Without Release Wire	60	150

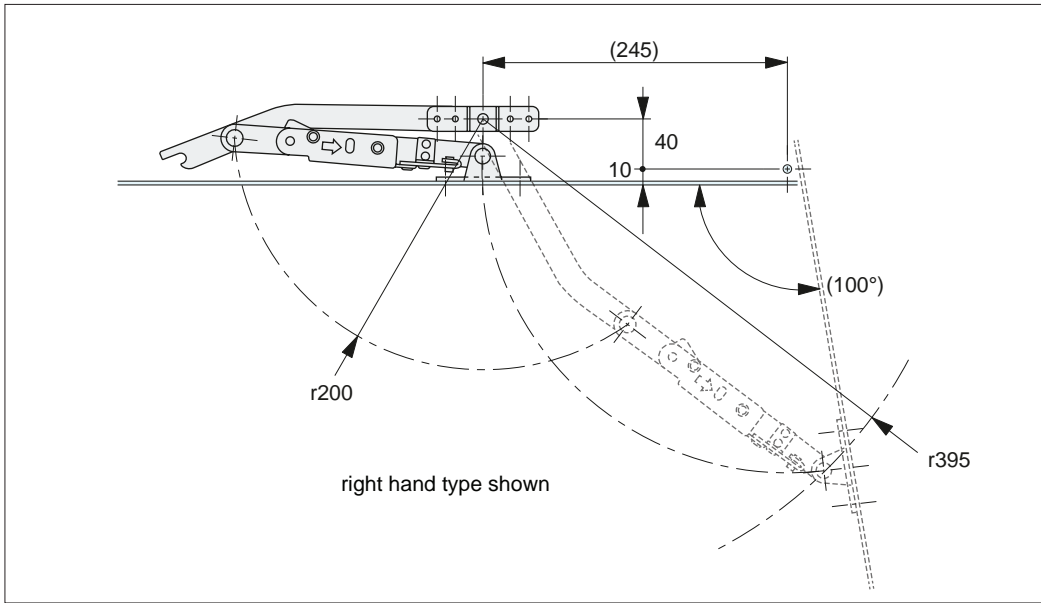


	Mounting			Door Opening			Material		Heavy Duty	Compression Force Kgf	Max Door Width mm	Tensile Force Kg	Max Angle
	Right	Left	Universal	Muti Stop	Soft Closing	Hold Open	Steel	Stainless Steel					
<b>N2000</b> 			✓	✓			✓			600-910		90°	
<b>N2020</b> 	✓	✓			✓		✓		0,6-1,5	300		90°	
<b>N2050</b> 			✓			✓	✓			50-60	50-60	100°	
<b>N2100</b> 	✓	✓				✓	✓			50-60	150	100°	
<b>N2120</b> 			✓			✓		✓	30		60	100°	
<b>N2200</b> 	✓	✓				✓	✓	✓	50-60		150	100°	

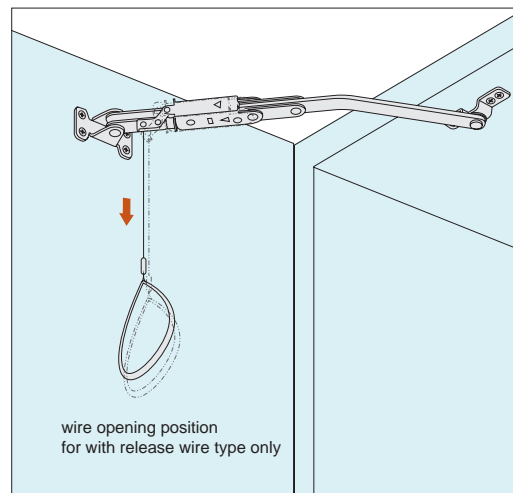
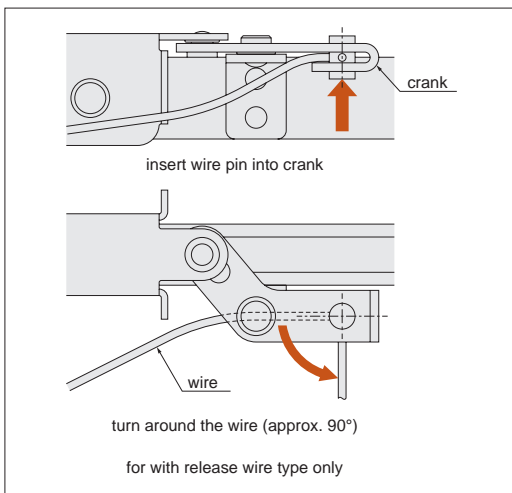




### Installation dimensions



### Installation of lock release wire



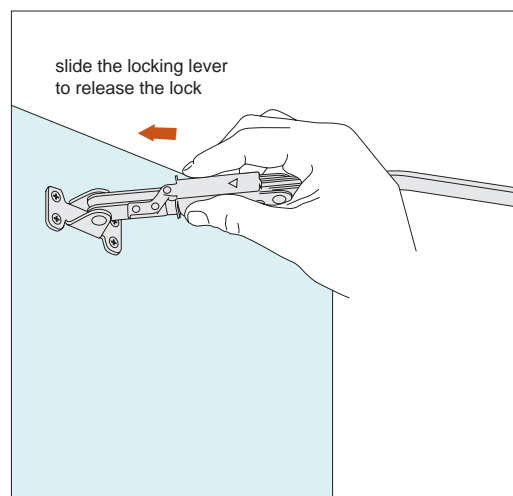
Installation of Lock Release Wire

Release of Stay with Release Wire

### Stay lock and release



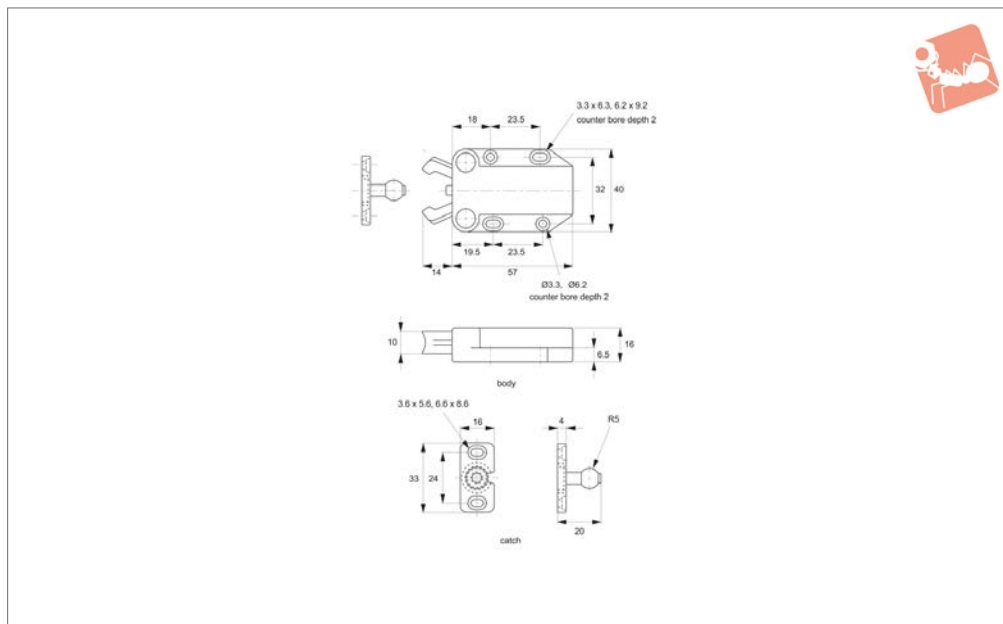
Full Lock Out Indicator



Manual Stay Release



## E2200



### Material

Body and catch: ABS Plastic.

### Technical Notes

For overlay door allow 3mm gap between

door and cabinet frame for push space. Supplied with screws (3.1x13, 3.5x10).

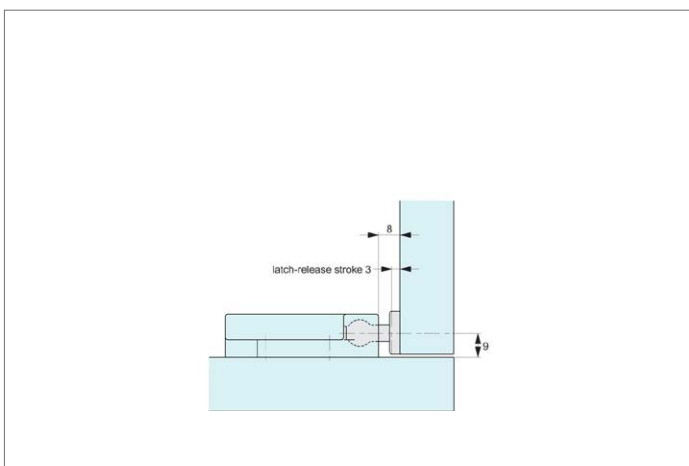
### Important Notes

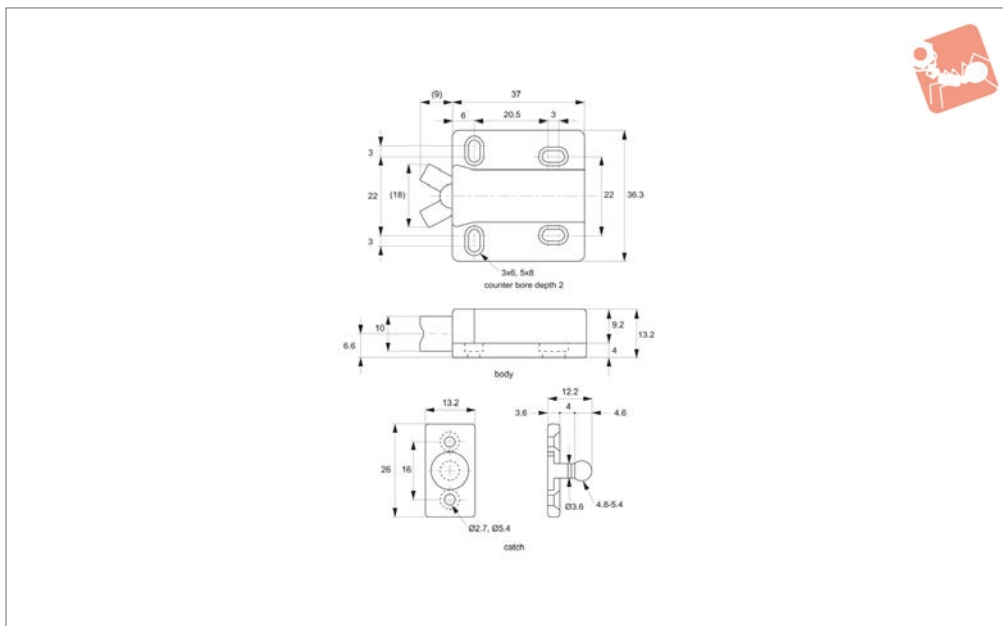
Pulling the door with excessive force

without unlatching the unit may damage the mechanism.

Constant loading of over 4Kgf, either pushing or pulling, is not recommended.

Order No.	Finish	Retaining force kg	Weight g
E2200.AC0010	White	8	24
E2200.AC0020	Black	8	24
E2200.AC0030	Brown	8	24





## E2400

CATCHES & LATCHES

### Material

Body and catch: ABS plastic.

door and cabinet frame for push space.  
Supplied with screws (2.7x13, 2.4x10).

without unlatching the unit may damage the mechanism.

### Technical Notes

For overlay door allow 3mm gap between

### Important Notes

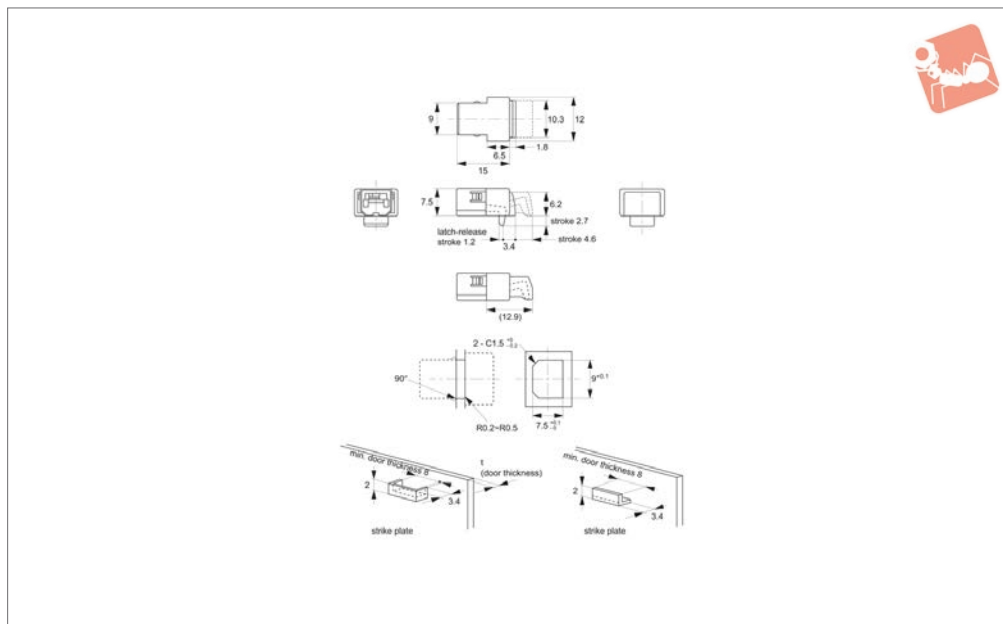
Pulling the door with excessive force

Constant loading of over 3Kgf, either pushing or pulling, is not recommended.

Order No.	Finish	Retaining force	Weight
E2400.AC0020	Black	kgf 3	g 15



**E2600**



**Material**

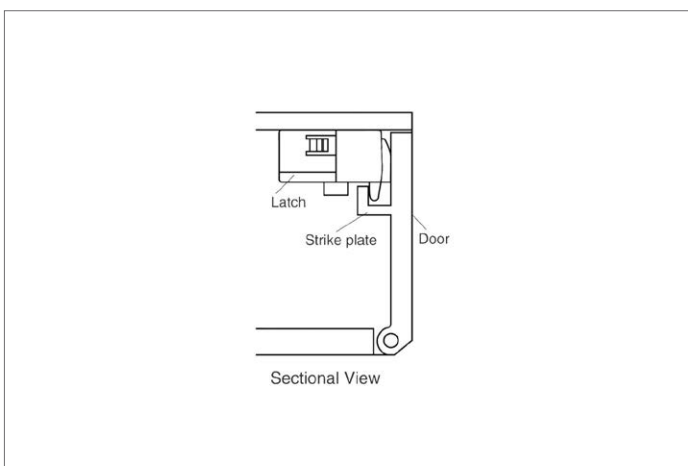
Body: polycarbonate.

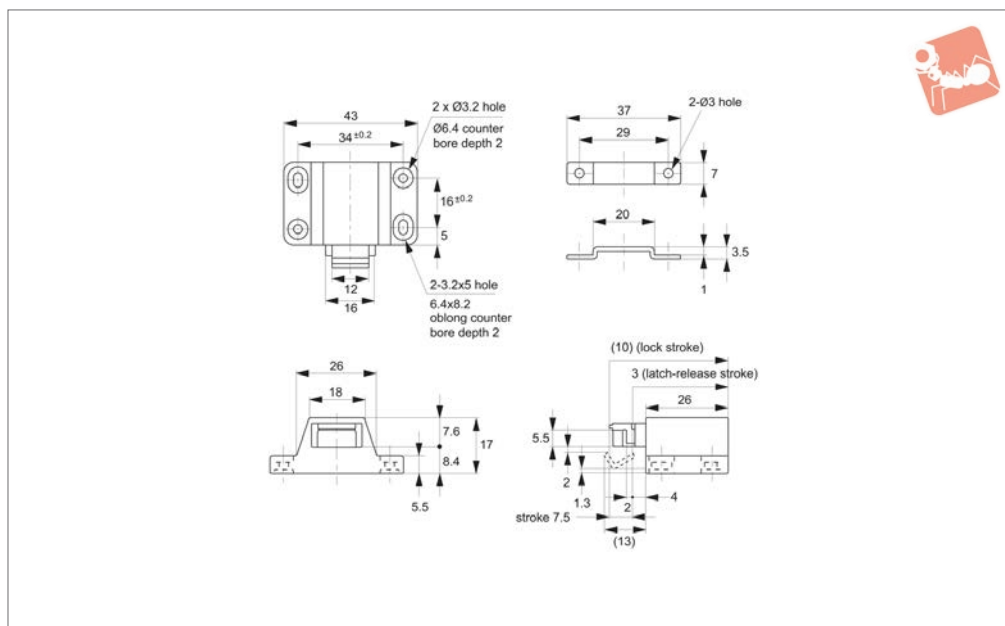
**Technical Notes**

No catch plate supplied. Dimensions shown

of 'Recommended Strike Dimensions' are for your own fabrication of strike to best suit your application.

Order No.	Retaining force kgf	Weight g
E2600.AC0020	1	1.1





**E2800**

CATCHES & LATCHES

**Material**

Housing: ABS plastic.  
Slide: polyacetal.

Strike, arm and yoke: steel.

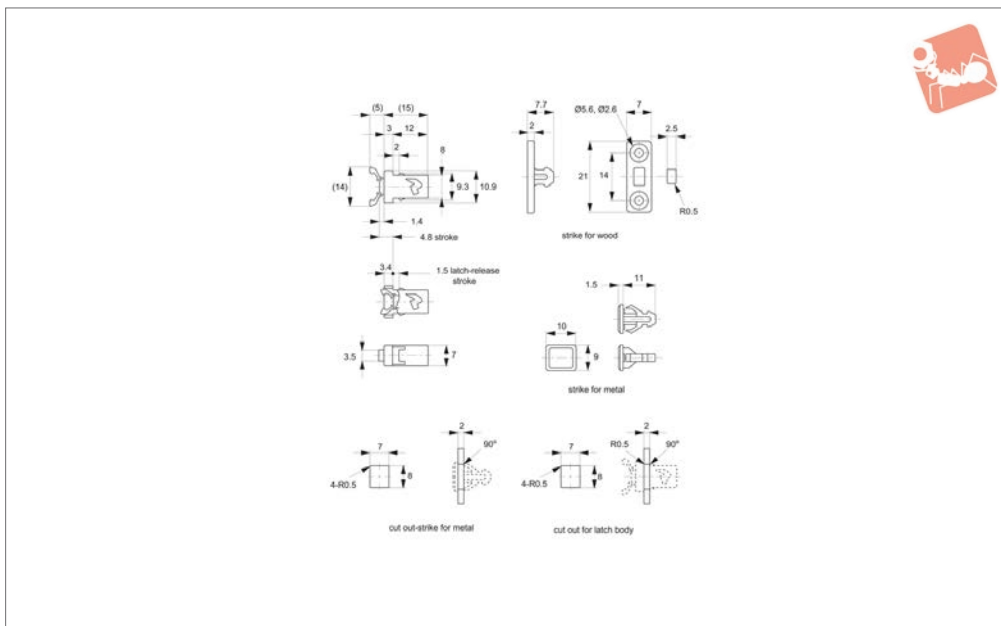
**Technical Notes**

Screws not included.

Order No.	Finish	Retaining force kgf	Weight g
E2800.AC0020	Black	10	16.3



## E3000



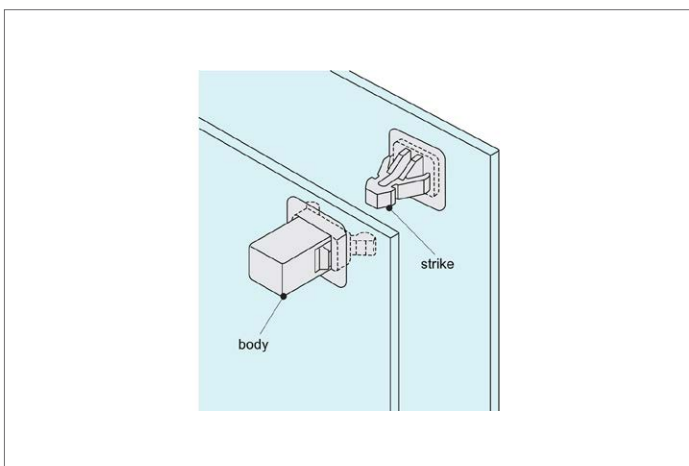
### Material

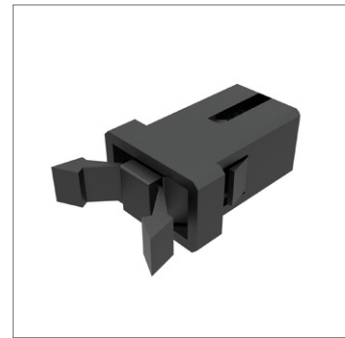
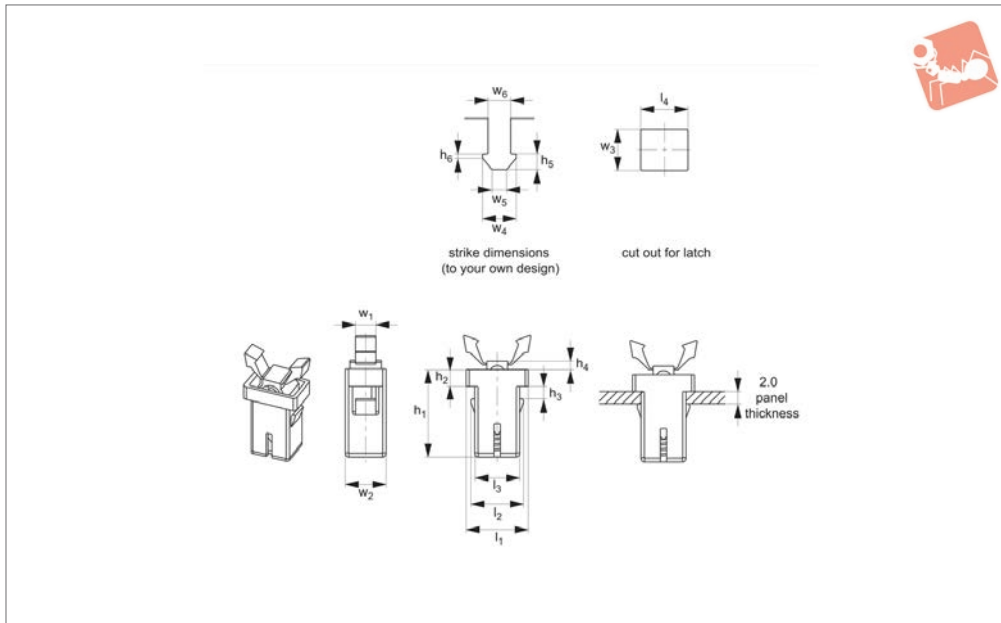
Body: polyacetal.  
Strike: polyamide.

### Technical Notes

Strikes ordered separately. Screws not included.

Order No.	Type	Retaining force kgf	Weight g
E3000.AC0020	Latch	1.2	0.7
E3000.AC0022	Strike for Wood	-	0.2
E3000.AC0024	Strike for Metal	-	0.2





**E3010**

CATCHES & LATCHES

**Material**

Nylon and Polyacetal (POM)

are for your own fabrication of strike to best sort your application.

Suitable for panel thickness 2,0mm

**Tips**

Subject to minimum order quantity.

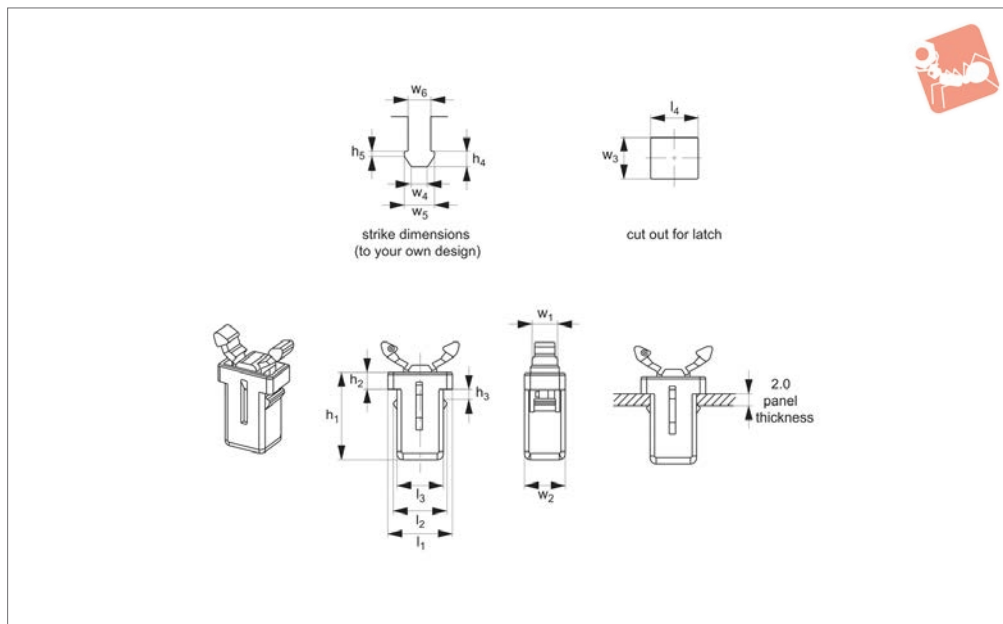
**Technical Notes**

Strikes not supplied. Dimensions shown

<b>Order No.</b>	$l_1$	$h_1$	$l_2$	$l_3$	$l_4$	$h_2$	$h_3$	$h_4$
<b>E3010.AC0010</b>	10.9	14.9	9.2	7.9	8	2.9	2	1.5
<b>Order No.</b>	$h_5$	$h_6$	$w_1$	$w_2$	$w_3$	$w_4$	$w_5$	$w_6$
<b>E3010.AC0010</b>	2.6	0.6	3.5	6.9	7	5.3	2.6	4



**E3012**



**Material**

Nylon and Polyacetal (POM)

**Technical Notes**

Strikes not supplied. Dimensions shown

are for your own fabrication of strike to best sort your application.

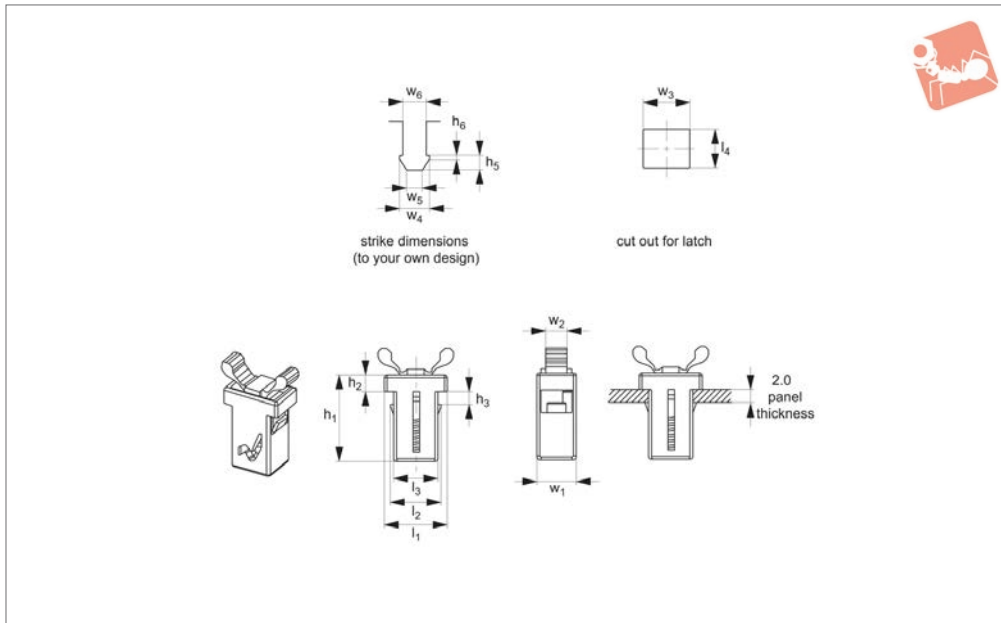
Suitable for panel thickness 2,0mm

**Tips**

Subject to minimum order quantity.

Order No.	$l_1$	$h_1$	$l_2$	$l_3$	$l_4$	$h_2$	$h_3$	$h_4$	$h_5$	$w_1$	$w_2$	$w_3$	$w_4$	$w_5$	$w_6$
<b>E3012.AC0010</b>	11.08	15	9.2	7.9	8.0	3	2	2.6	0.6	4.6	6.9	7	5.3	2.6	4.0





**E3014**

CATCHES & LATCHES

**Material**

Nylon and Polyacetal (POM)

are for your own fabrication of strike to best sort your application.

Suitable for panel thickness 2,1mm

**Tips**

Subject to minimum order quantity.

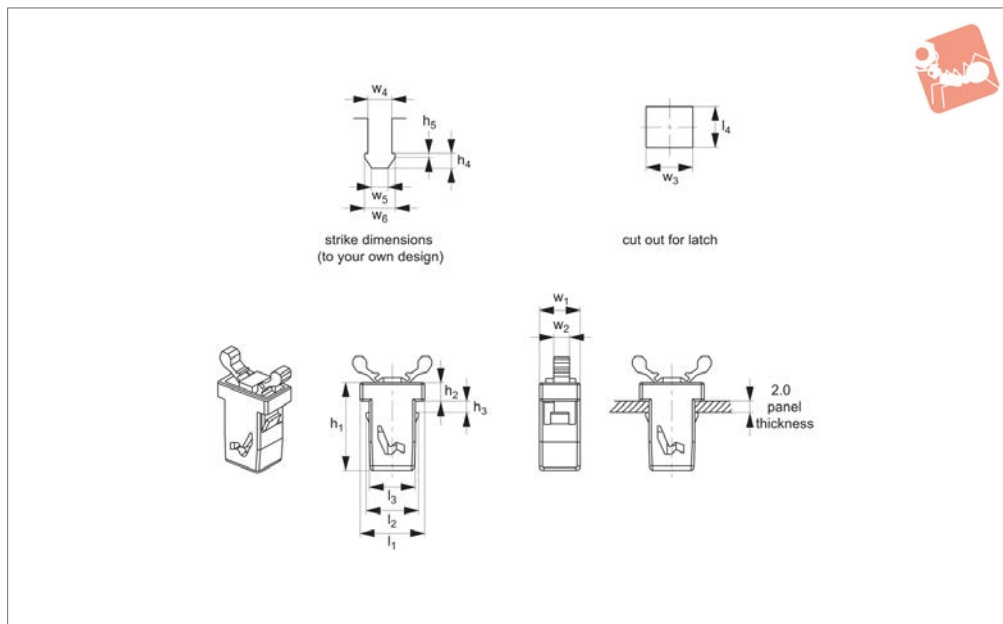
**Technical Notes**

Strikes not supplied. Dimensions shown

Order No.	$l_1$	$h_1$	$l_2$	$l_3$	$l_4$	$h_2$	$h_3$	$h_5$	$h_6$	$w_1$	$w_2$	$w_3$	$w_4$	$w_5$	$w_6$
<b>E3014.AC0010</b>	11	14.8	9.17	7.9	7	2.9	2.1	2.6	0.6	6.9	3.75	8	5.2	2.5	4.2



**E3016**



**Material**

Nylon and Polyacetal (POM)

**Technical Notes**

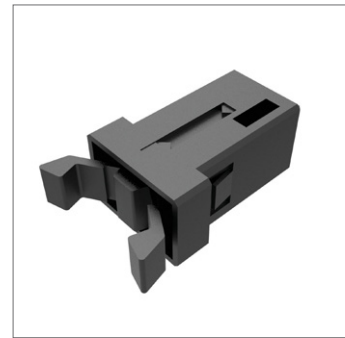
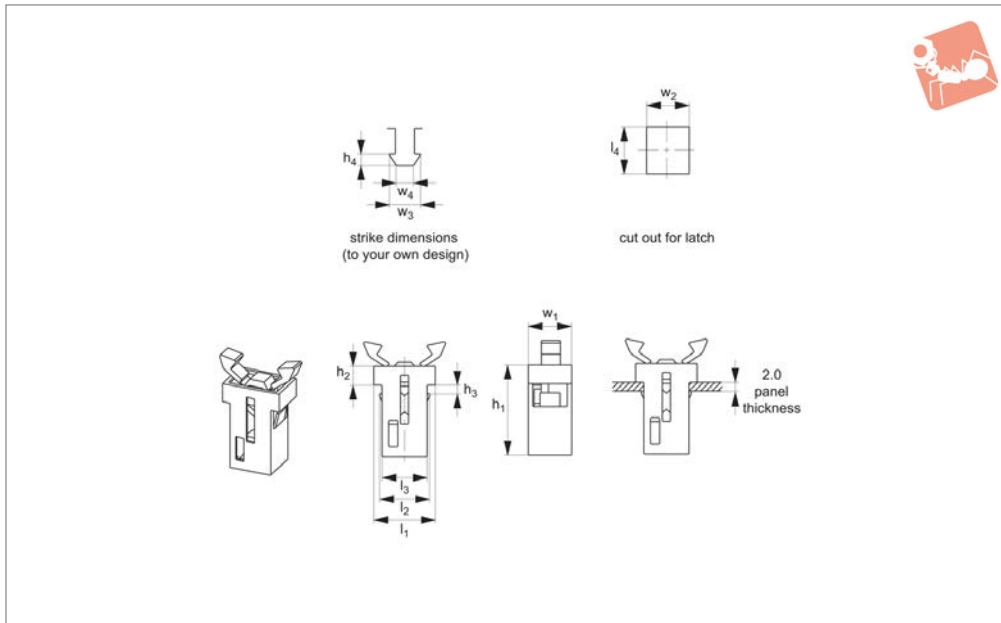
Strikes not supplied. Dimensions shown

are for your own fabrication of strike to best suit your application.  
Suitable for panel thickness 2,0mm

**Tips**

Subject to minimum order quantity.

Order No.	$l_1$	$h_1$	$l_2$	$l_3$	$l_4$	$h_2$	$h_3$	$h_4$	$h_5$	$w_1$	$w_2$	$w_3$	$w_4$	$w_5$	$w_6$
<b>E3016.AC0010</b>	10.9	14.8	8.9	7.9	7	3.05	2	2.6	0.6	6.9	2.7	8.0	4.2	2.50	5.2



E3030

CATCHES & LATCHES

**Material**

Nylon and Polyacetal (POM)

are for your own fabrication of strike to best sort your application.

Suitable for panel thickness 2,0mm

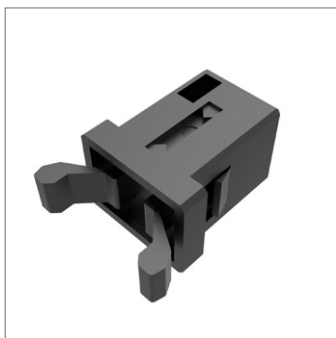
**Tips**

Subject to minimum order quantity.

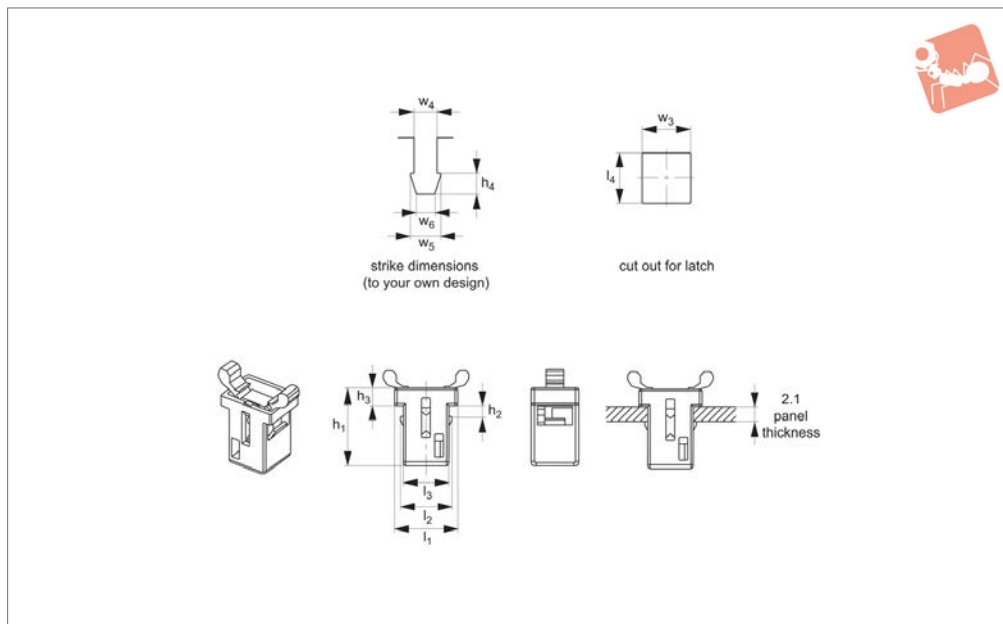
**Technical Notes**

Strikes not supplied. Dimensions shown

Order No.	$l_1$	$h_1$	$l_2$	$l_3$	$l_4$	$h_2$	$h_3$	$h_4$	$w_1$	$w_2$	$w_3$	$w_4$
E3030.AC0010	14	20.5	11.5	10.5	10.7	4.4	2	2.6	9.7	9.8	7	3.5



## E3040



### Material

Nylon and Polyacetal (POM)

### Technical Notes

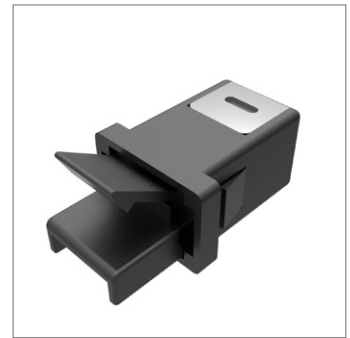
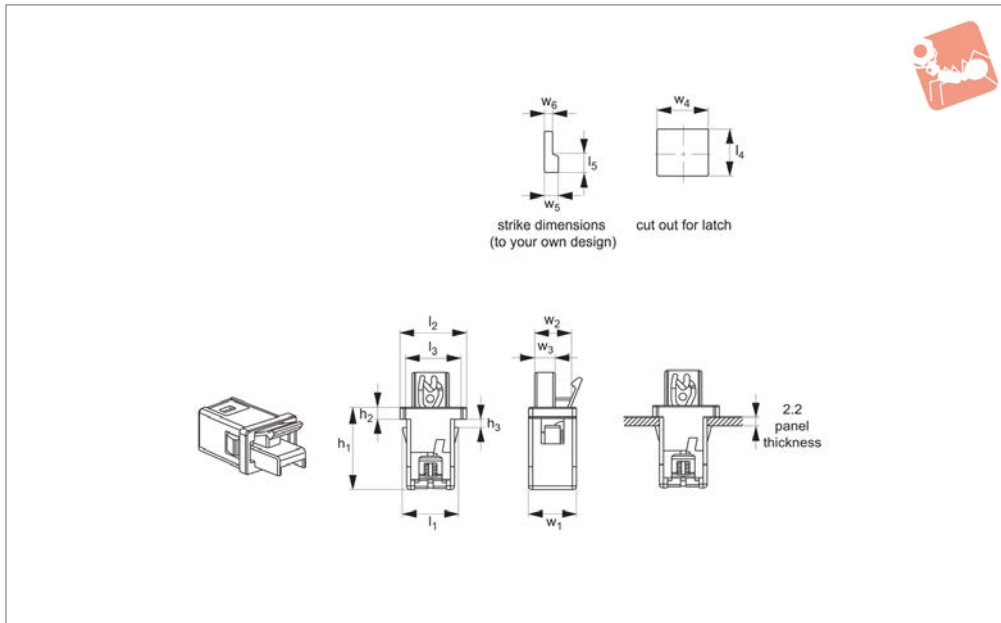
Strikes not supplied. Dimensions shown

are for your own fabrication of strike to best suit your application.  
Suitable for panel thickness 2,1mm

### Tips

Subject to minimum order quantity.

Order No.	$l_1$	$h_1$	$l_2$	$l_3$	$l_4$	$h_2$	$h_3$	$h_4$	$w_1$	$w_2$	$w_3$	$w_4$	$w_5$	$w_6$
E3040.AC0010	9	10.8	7.7	6.8	7	2.1	2	3.0	6.9	2.7	6.9	3.5	4.5	2.4



E3050

CATCHES & LATCHES

**Material**

Nylon and Polyacetal (POM)

are for your own fabrication of strike to best sort your application.

**Tips**

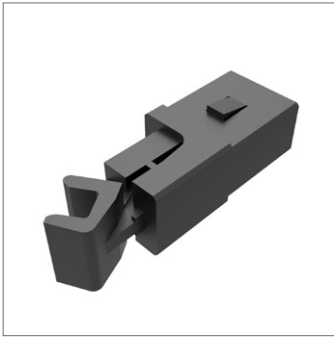
Subject to minimum order quantity.

**Technical Notes**

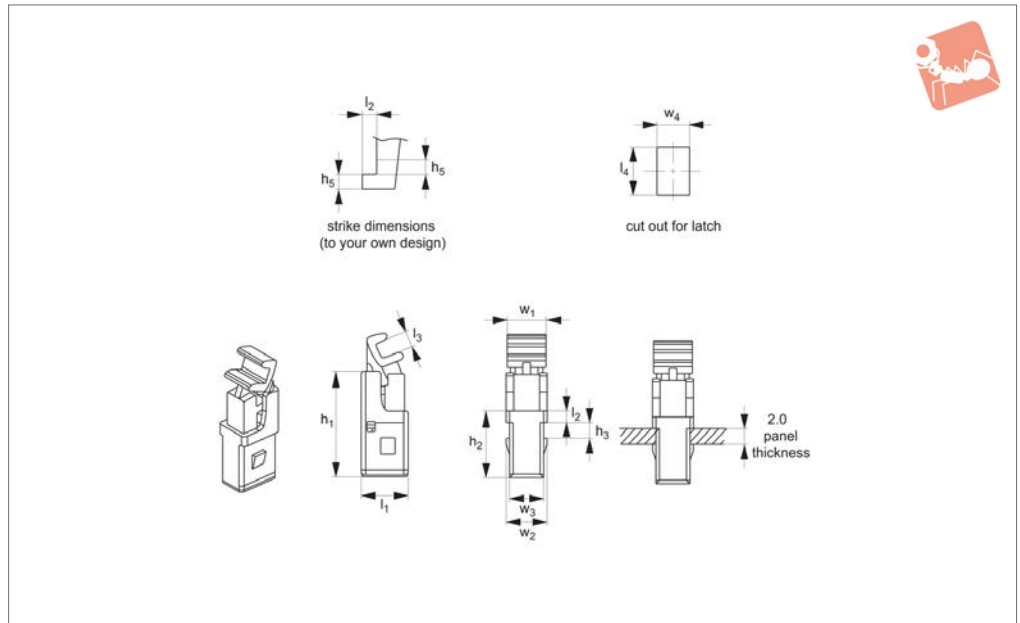
Strikes not supplied. Dimensions shown

Suitable for panel thickness 2,2mm

Order No.	$l_1$	$h_1$	$l_2$	$l_3$	$l_4$	$l_5$	$h_2$	$h_3$	$w_1$	$w_2$	$w_3$	$w_4$	$w_5$	$w_6$
E3050.AC0010	14.4	21.1	17.2	12.8	12.1	4	3.0	2.2	12	9	5.15	12.9	3	1.7



## E3052



### Material

Nylon and Polyacetal (POM)

### Technical Notes

Strikes not supplied. Dimensions shown

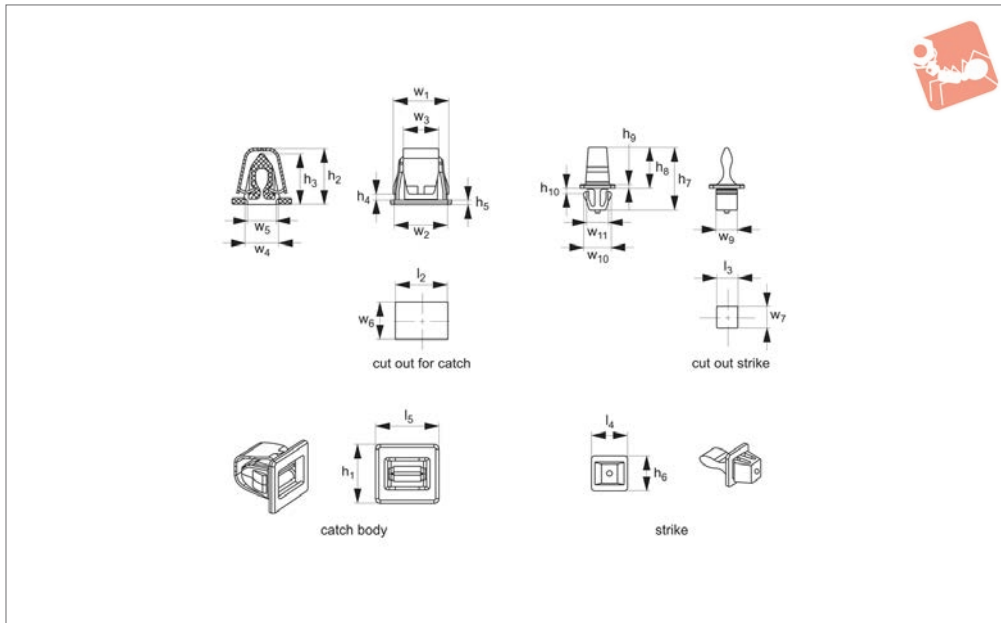
are for your own fabrication of strike to best suit your application.

Suitable for panel thickness 2,0mm

### Tips

Subject to minimum order quantity.

Order No.	$l_1$	$h_1$	$l_2$	$l_3$	$l_4$	$h_2$	$h_3$	$h_4$	$h_5$	$w_1$	$w_2$	$w_3$	$w_4$
E3052.AC0010	6.5	14.2	2.0	2.10	6.60	9.0	2.0	1.5	1.8	5.2	5.3	4.3	4.4



### E3070

CATCHES & LATCHES

#### Material

Catch and strike body: Polyacetal (POM)  
Strike outer spring: Steel

Suitable for panel thickness 0,8-1,6mm

#### Tips

Subject to minimum order quantity.

#### Technical Notes

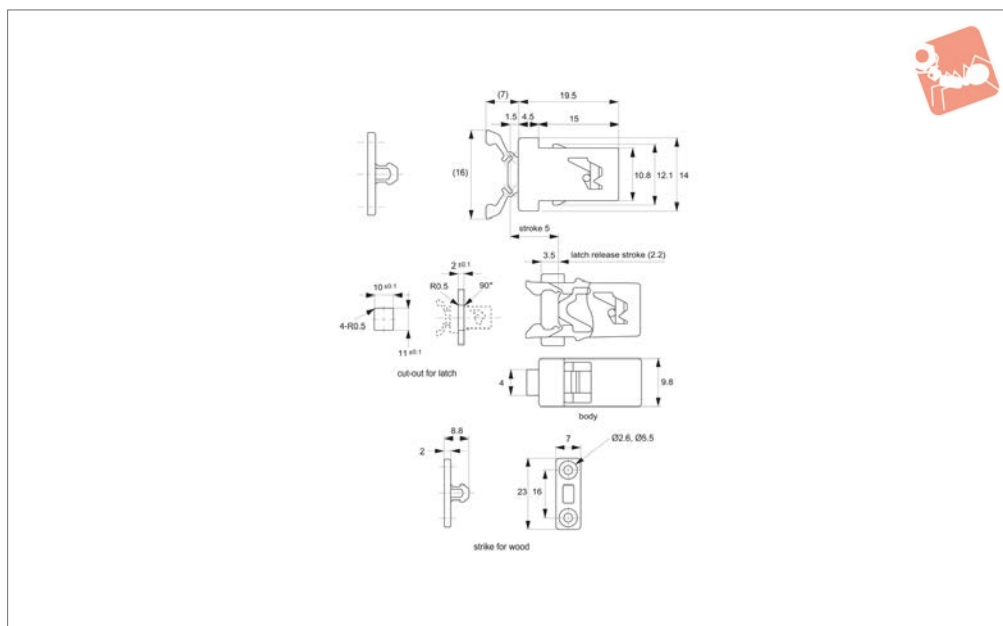
Catch body and strike supplied as pair.

<b>Order No.</b>	$l_1$	$h_1$	$l_2$	$l_3$	$l_4$	$h_2$	$h_3$	$h_4$	$h_5$	$h_6$	$h_7$	
<b>E3070.AC0010</b>	19.7	18.0	16.7	7.2	11.0	17.2	16.2	1.8	1.5	11.3	20.0	
<b>Order No.</b>	$h_8$	$h_9$	$h_{10}$	$w_1$	$w_2$	$w_3$	$w_5$	$w_6$	$w_7$	$w_9$	$w_{10}$	$w_{11}$
<b>E3070.AC0010</b>	13.0	1.4	1.6	18.0	16.7	11.3	10.0	13.0	7.2	7	9.1	7.0



strike for wood

## E3200



### Material

Body: polycarbonate.  
Spring: stainless steel, AISI 304.

Strike: nylon.

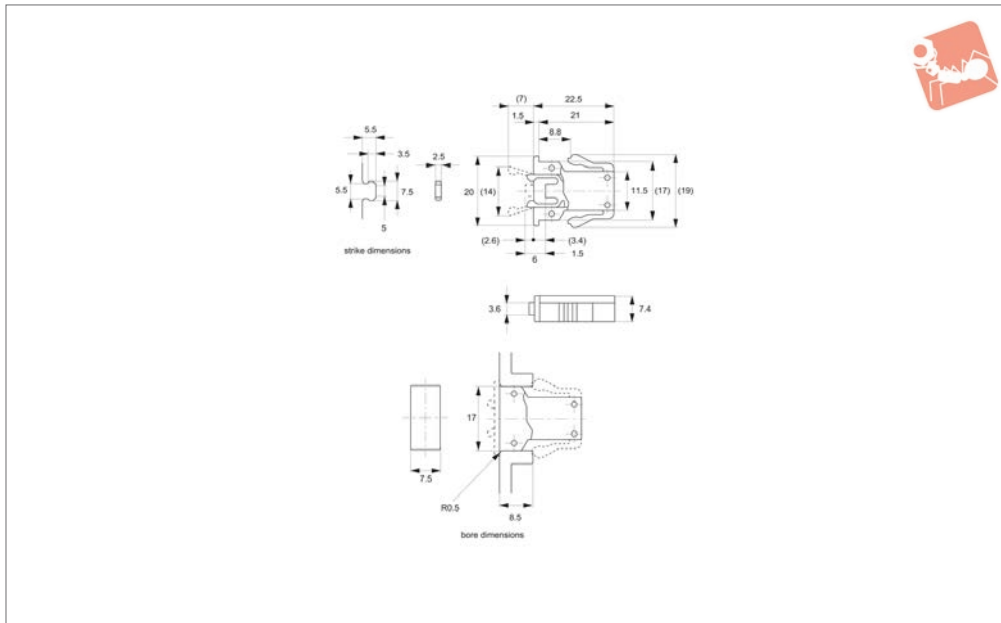
included.

### Technical Notes

Strikes ordered separately. Screws not

Order No.	Type	Retaining force kg	Weight g
E3200.AC0020	Latch	3.5	2.3
E3200.AC0022	Strike for Wood	3.5	0.2





**E3400**

CATCHES & LATCHES

**Material**

Body: ABS plastic.  
Strike: polyamide.

**Technical Notes**

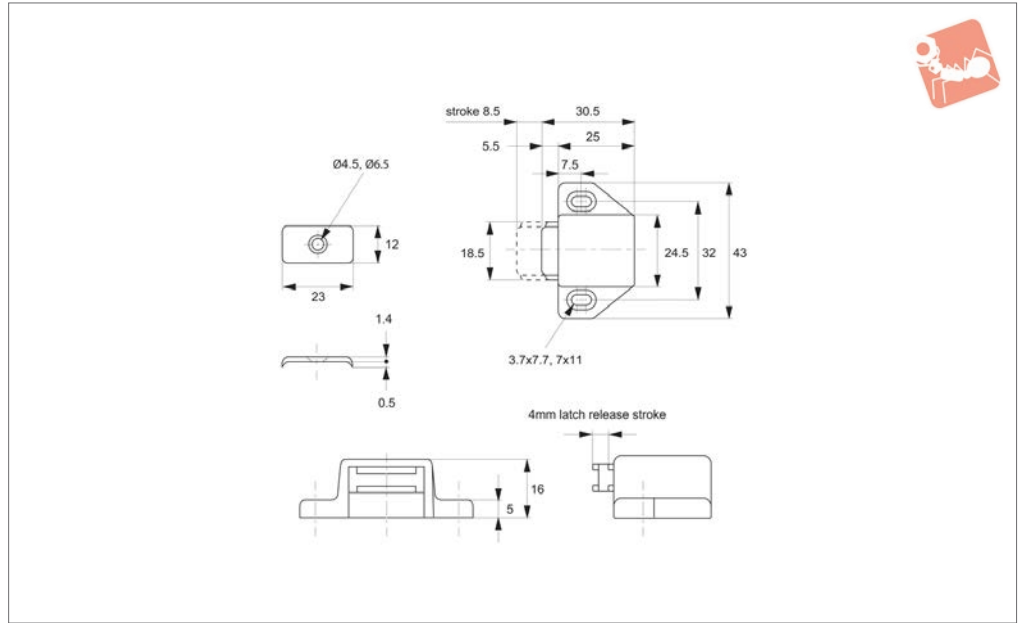
Strike not supplied. Dimensions shown are for your own fabrication of strike to best

suit your application.

Order No.	Finish	Weight g
E3400.AC0020	Black	2.5



## E5000



### Material

Body: ABS plastic.  
Latch and counter plate: steel, nickel plated.

### Technical Notes

For overlay doors a 4mm gap between the door and cabinet frame is required for the latch release stroke.

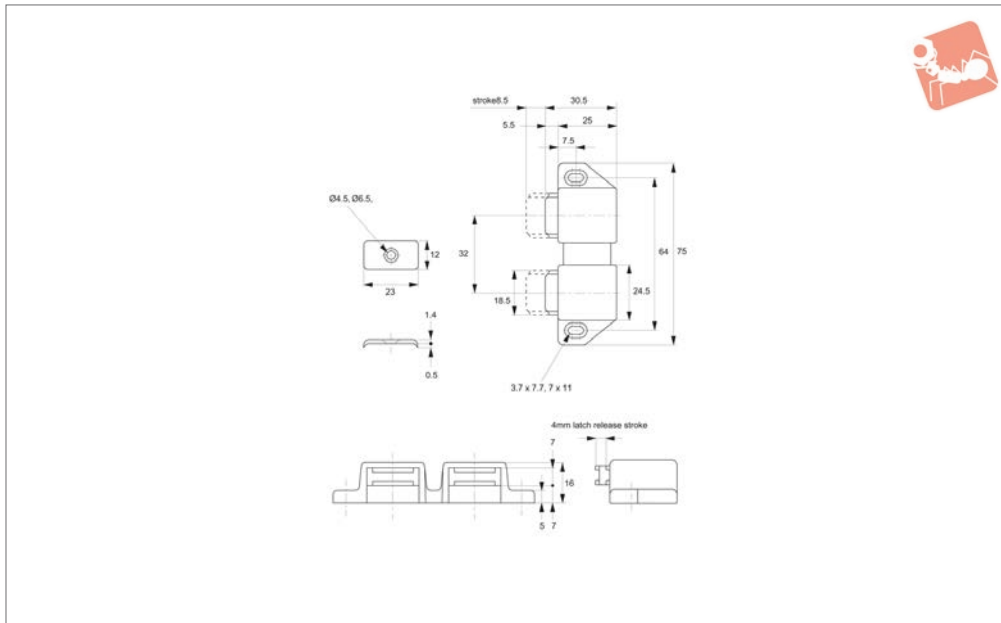
Supplied with screws (3.1x13).

Order No.	Finish	Magnetic force kgf	Weight g
E5000.AC0010	White	1.2	22.5
E5000.AC0030	Brown	1.2	22.5



# Magnetic Touch Latches - Double for overlay doors

## Catches & Latches



**E5100**

CATCHES & LATCHES

### Material

Body: ABS plastic.  
Latch and counter plate: steel, nickel plated.

### Technical Notes

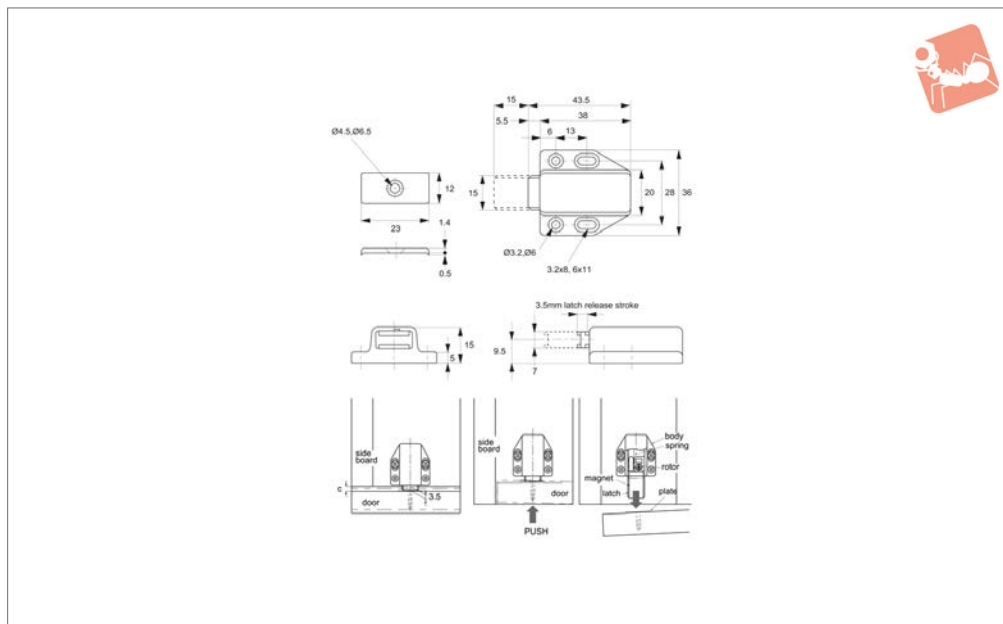
For overlay doors a 4mm gap between the door and cabinet frame is required for the latch release stroke.

Supplied with screws (3.1x13).

Order No.	Finish	Magnetic force kgf	Weight g
E5100.AC0010	White	1.2	42
E5100.AC0030	Brown	1.2	42



**E5200**



**Material**

Body: ABS plastic.  
Latch and catch plate: steel, yellow zinc chromate.

**Technical Notes**

Push to open/close.  
For overlay doors, a 3,5mm gap between door and cabinet frame is required for the

latch release stroke.  
Supplied with screws (2.7x13)

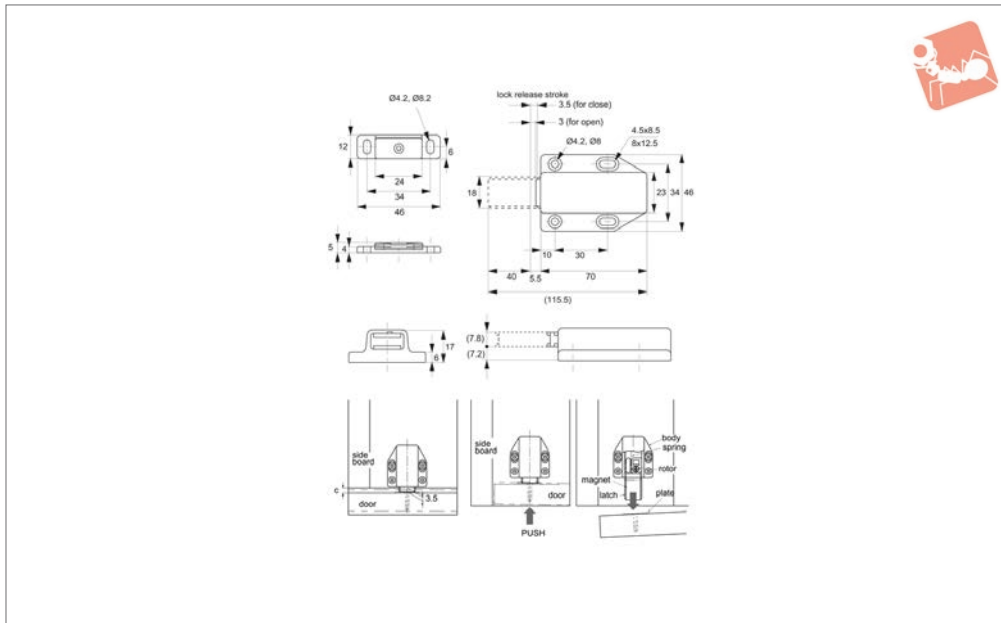
Order No.	Finish	Magnetic force kgf	Weight g
E5200.AC0010	White	1.6	22
E5200.AC0030	Brown	1.6	22
E5200.AC0020	Black	1.6	22



# Magnetic Touch Latches

extended stroke - for overlay doors

## Catches & Latches



**E5250**

CATCHES & LATCHES

**Material**

Body: ABS plastic.  
Latch and catch plate: steel, yellow zinc chromate.

**Technical Notes**

Push to open/close. For overlay push to

open/close doors, a 3,5mm gap between door and cabinet frame is required for push space.

**Tips**

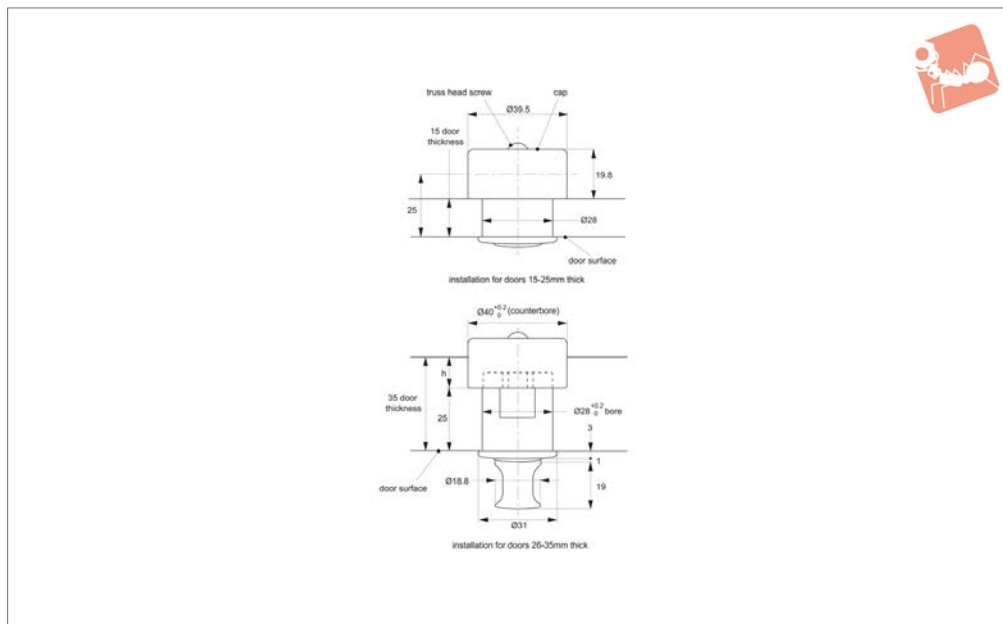
E5250 has an extended/long stroke of 40mm to ensure full and positive move-

ment of door upon actuation.

Order No.	Finish	Magnetic force kgf	Weight g
E5250.AC0010	White	2.4	53
E5250.AC0030	Brown	2.4	53



**E0300**



**Material**

Push knob: zinc alloy, plated gold or chrome.

Body: ABS plastic, black.

**Technical Notes**

Suitable for door/wall thicknesses 15 to

35mm.

When installed push knob is near flush with surface, raised only 4mm.

Supplied with screws (M 3x20).

**Tips**

For surfaces 15 to 25mm thick no counter

bore is required.

For surfaces 26 to 35mm thick, 40mm dia. counter bore of depth „h” is required.

h = door thickness - 25mm.

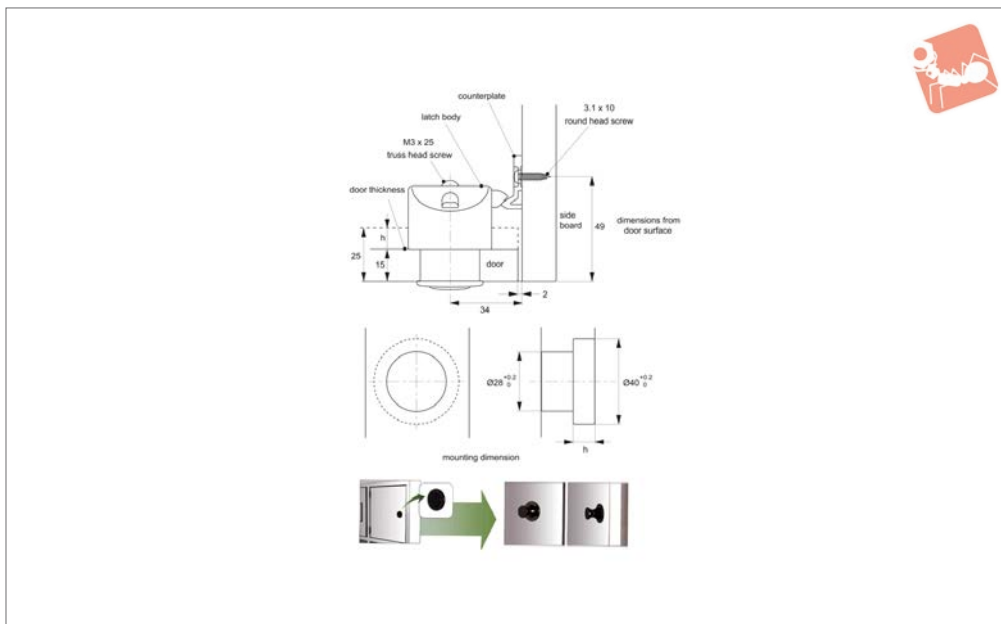
Order No.	Finish	Weight g
E0300.AC0030	Gold	67
E0300.AC0040	Chrome	67





# Push Knobs with latch - for inset doors

# Catches & Latches



**E0800**

CATCHES & LATCHES

### Material

Push knob: zinc alloy.

Body and catch plate: ABS plastic, black.

### Technical Notes

Suitable for door/wall thicknesses 15 to 30mm. For 13mm door use a 2mm plastic spacer (order separately).

When installed the push knob is near flush, raised only 4mm from surface.

Supplied with screws (M 3.1x10 and M

3.1x28), and catch plate.

### Tips

#### To operate the push knob:

**Step 1:** door closed, latch is engaged.

**Step 2:** depress knob to flush position to lock.

**Step 3:** depress knob to the out position to unlock latch.

For surfaces between 15 to 25mm thick no

counter bore is required.

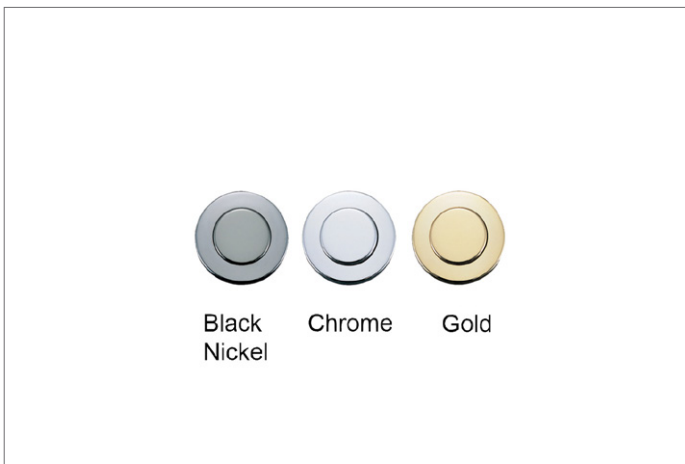
For surfaces from 26 to 35mm thick, 40mm dia. counter bore of depth „h“ is required. h = door thickness - 25mm.

### Important Notes

Do not activate the latch before closing the door, it may damage the unit.

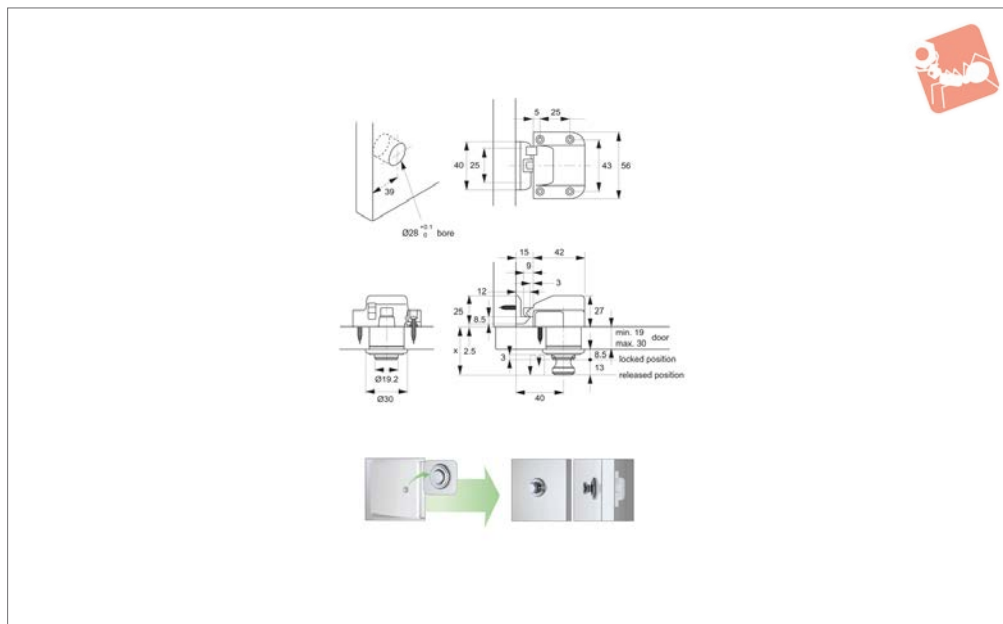
Other dimensions as per E0300 <X\ E0300#24>. See diagram for mounting dimensions.

Order No.	Finish	Description	Holding force kg	Weight g
E0800.AC0030	Gold	Push Knob	10	93
E0800.AC0040	Chrome	Push Knob	10	93
E0800.AC0050	Black Nickel	Push Knob	10	93
E0800.AC0720	Black	Spacer 2mm	-	2





**E1400**



**Material**

Push button: brass, finished in chrome, satin nickel, satin or polished brass plating.

Push button base: zinc alloy.

Latch body and catch: polyamide.

**Technical Notes**

Suitable for door thicknesses 19 to 30mm.

Supplied with stainless steel screw (3x16, 3x20).

**Important Notes**

For correct positioning of push knob from the door surface refer to dimension „x“ on installation diagram.

„x“ is calculated as:

$$x = \text{door thickness} + 21,5\text{mm}$$

Push knob supplied with two threaded studs of 24mm and 30mm, interchange of stud enables correct positioning of knob to door surface, i.e. dimension „x“.

Order No.	Finish	Holding force kg	Weight g
E1400.AC0040	Chrome	20	103
E1400.AC0060	Satin Nickel	20	103
E1400.AC0070	Satin Brass	20	103
E1400.AC0080	Polished Brass	20	103



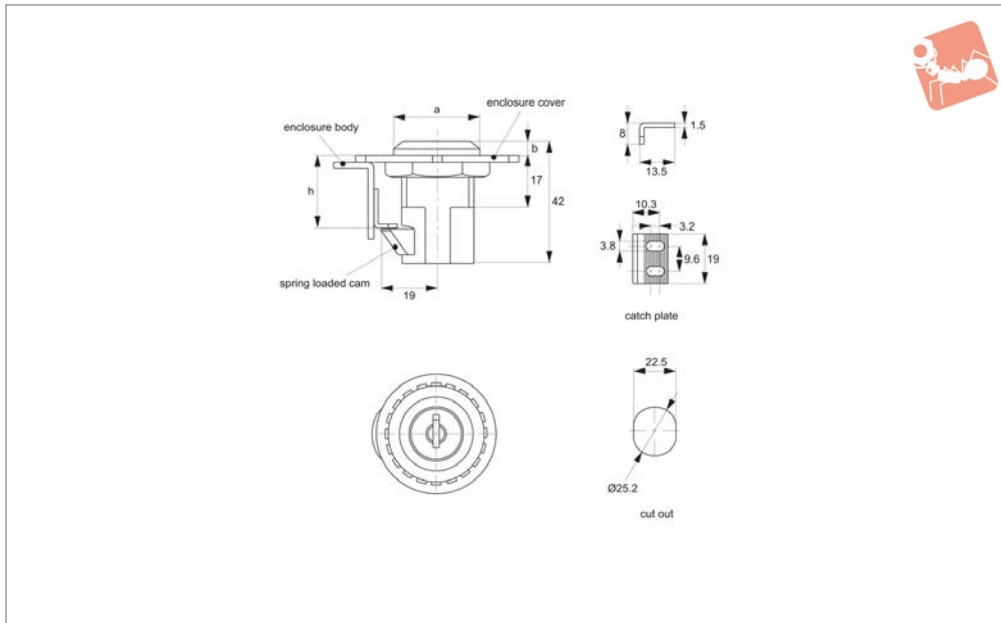




# Push Lock - Spring Loaded Cam

standard cylinder lock - fixed grip - zinc

## Catches & Latches



**E1600**

CATCHES & LATCHES

**Material**

Body: die cast zinc, chrome plated.  
 Cylinder lock: die cast zinc, chrome plated.  
 Lock bolt: die cast zinc.

**Supplied with:** Keys: two per lock.

**Not Supplied:** Catch Plate: order separately.

tely.

**Technical Notes**

Suitable for panel thickness 1-15mm.  
 When installed lock is, 5mm above surface.

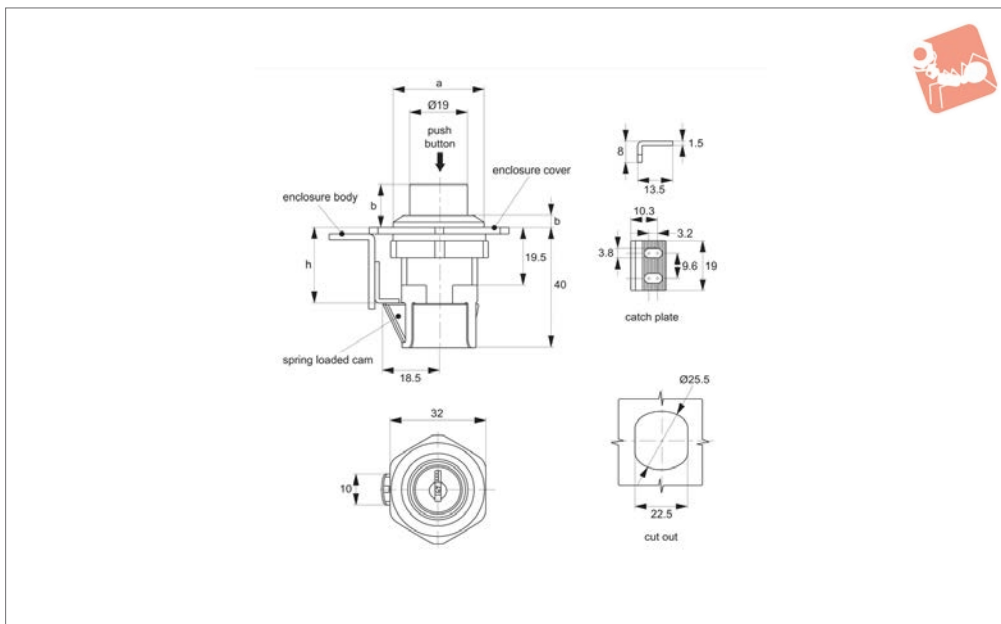
On closing of panel, special contour of the spring loaded cam allows it to be guided over the catch plate, then springs back to lock in place. To open panel, actuate key to release cam, and pull. Cam has stroke of approx, 8mm. Order catch plate separately.

Order No.	Type	Lock type	Key type	a	b	h grip length
E1600.AW0010	Push Lock	Std. Cylinder	Keyed Alike	29	5	25





E1602



**Material**

Body: polycarbonate, black.  
 Cylinder Lock: polycarbonate, black.  
**Supplied With:** Keys: two per lock.  
**Not supplied:** Catch plate: order separately.

**Technical Notes**

Suitable for door thickness 1-16mm.

**Tips**

On closing of panel, special contour of the spring loaded cam allows it to be guided

over the catch plate, then springs back to lock in place. To open panel, actuate key and depress push button to release cam then pull to open. Optional finger pull can assist in opening (please order separately). Cam has stroke of approx. 8mm.

Order No.	Type	Lock type	Key type	a	b	h grip length
E1602.AW0010	Push Lock	Std. Cylinder	Keyed Alike	30	4	25

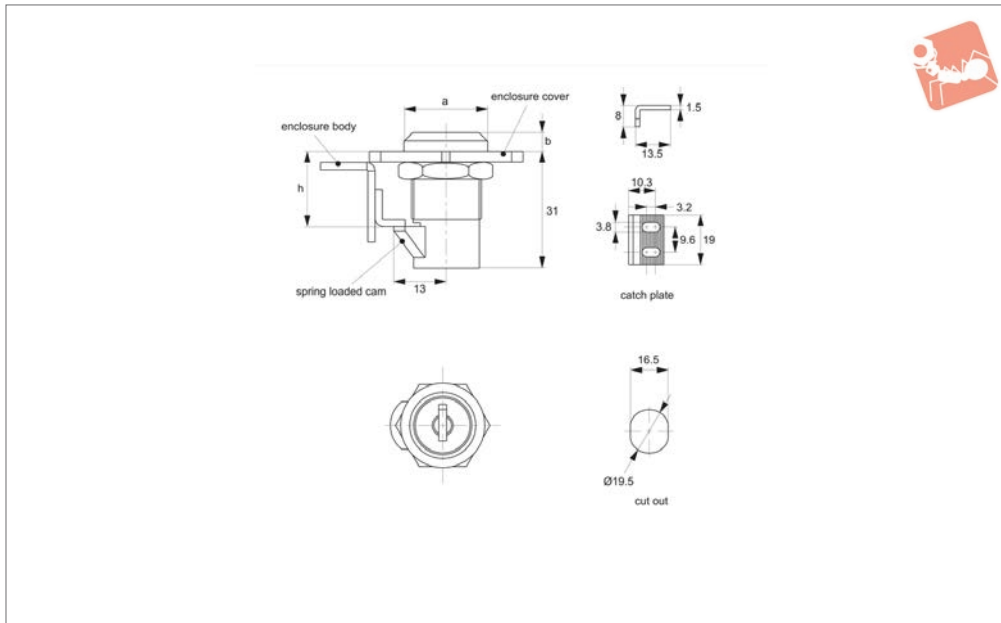




# Push Lock - Spring Loaded Cam

standard cylinder lock - fixed grip - zinc

## Catches & Latches



**E1604**

CATCHES & LATCHES

### Material

Body & insert: die cast zinc, chrome plated.  
Cylinder lock: die cast zinc, chrome plated with dust cap.

**Supplied With:** Keys: two per lock.

**Not supplied:** Catch plated: order separa-

tely.

### Technical Notes

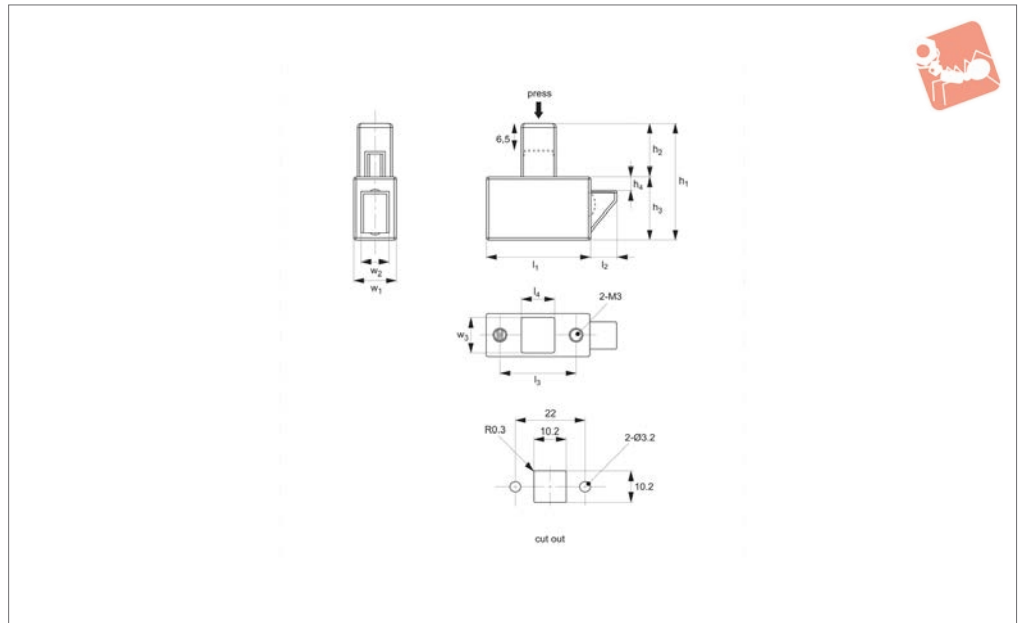
On closing of panel, special contour of the spring loaded cam allows it to be guided over the catch plate, then springs back to

lock in place. To open panel, actuate key to release cam and pull. Cam has stroke of approx. 8 mm. Order catch plate separately.

Order No.	Actuation	Lock type	Key type	a	b	h grip length
E1604.AW0010	Push Lock	Std. Cylinder	Keyed Alike	22.5	5	20



**E1670**



**Material**

Housing & Button: die cast zinc, nickel plated. IP54 rated.

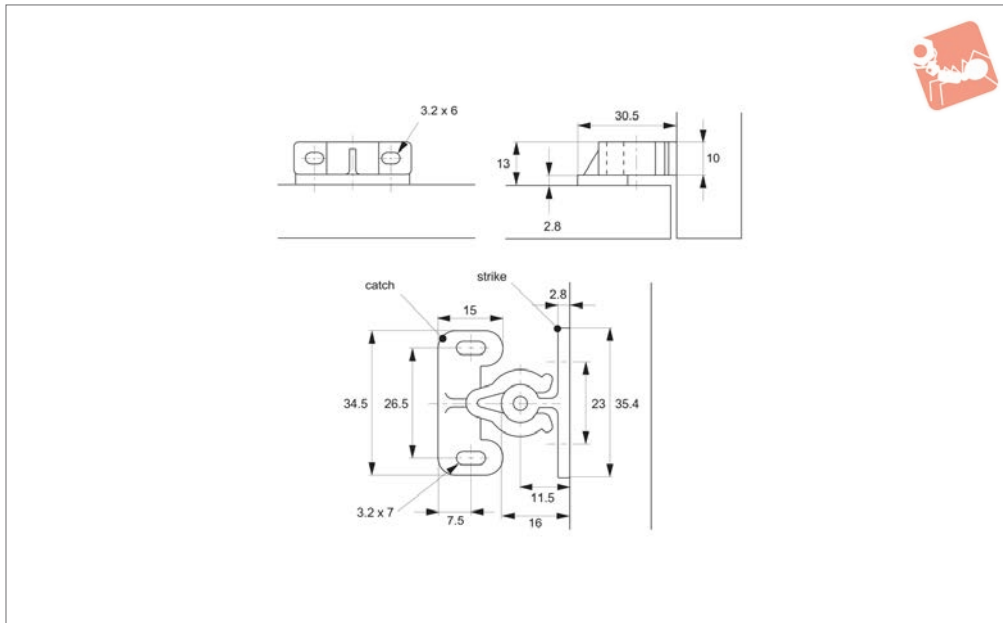
**Technical Notes**

Mounted under panel surface so only

button exposed. Mount with 2 x M 3 screws.

Depress button to retract catch and open panel. Catch has stroke of approx. 7mm.

Order No.	$l_1$	$l_2$	$l_3$	$l_4$	$h_1$	$h_2$	$h_3$	$h_4$	$w_1$	$w_2$	$w_3$
<b>E1670.AW0010</b>	30	7	22	10	32.6	15	17.6	4	12	8	10



## E2050

CATCHES & LATCHES

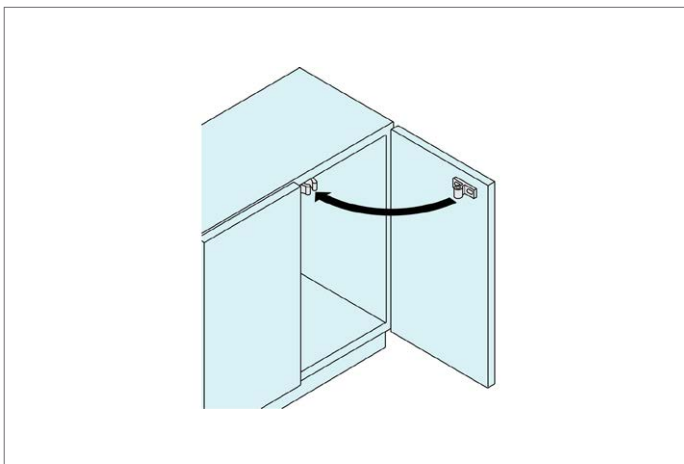
### Material

Catch: polyacetal, white.  
Strike: polyamide, white.

### Technical Notes

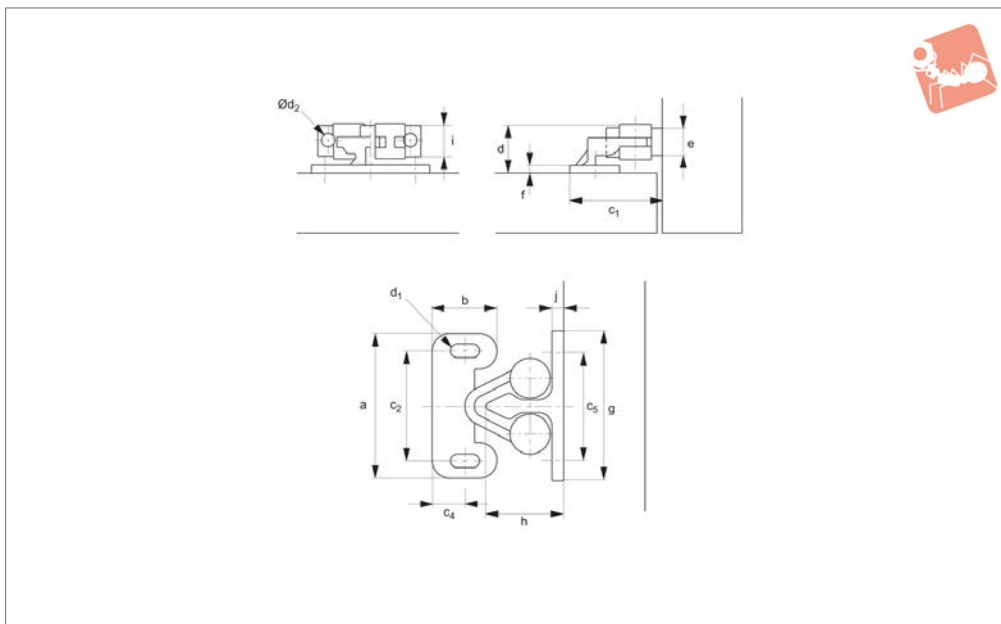
Screws not supplied.

Order No.	Push in force kg	Pull out force kg	Weight g
E2050.AC0010	5.7	7.1	4.5





## E2070



### Material

Strike and catch: polyacetal.  
Roller: polyethylene.

### Technical Notes

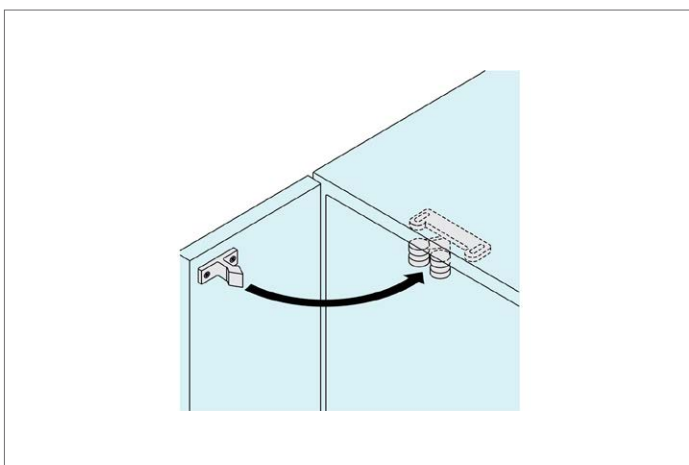
This catch has been tested to 300,000 cycles.

Screws not supplied.

Order No.	Finish	a	Push in force kg	Pull out force kg	b	c <sub>1</sub>	c <sub>2</sub>	c <sub>3</sub>	c <sub>4</sub>	Weight g
E2070.AC0010	White	29.0	1.1	1.6	12	21.2	21.5	6.0	20.0	3
E2070.AC0015	Brown	31.3	2.2	3.2	14	27.2	24.4	7.5	23.6	4

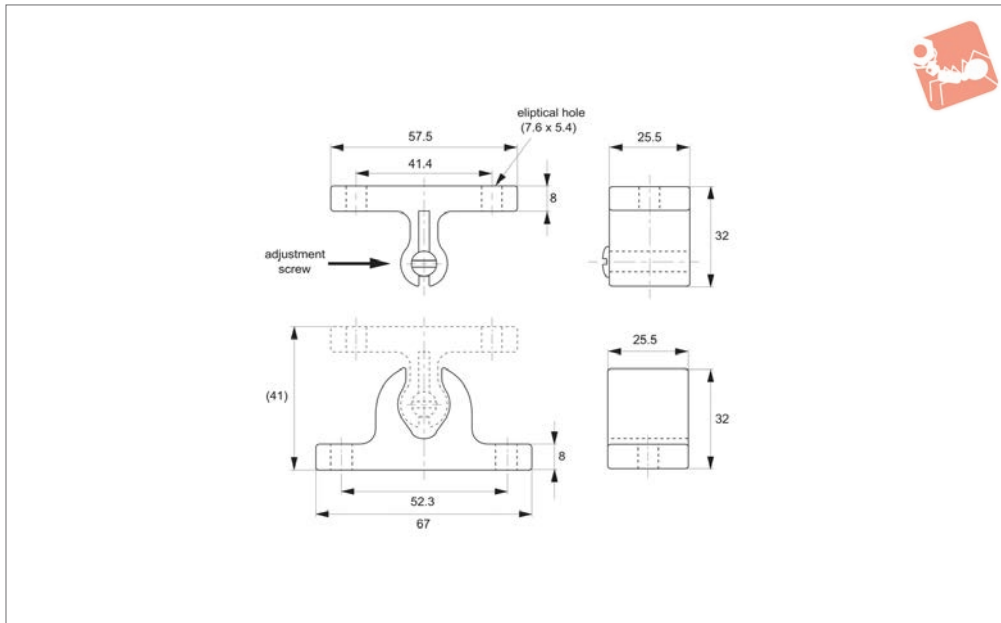
Order No.	d	d <sub>1</sub>	d <sub>2</sub>	e	f	g	h	i	j
E2070.AC0010	11.3	3,1x7	3.0	8	2.0	26	13.5	7.5	1.7
E2070.AC0015	12.6	3,1x7	3.1	9	2.3	32	16.5	9.0	2.0





# Knuckle Catches with adjustable holding force

## Catches & Latches



**E2100**

CATCHES & LATCHES

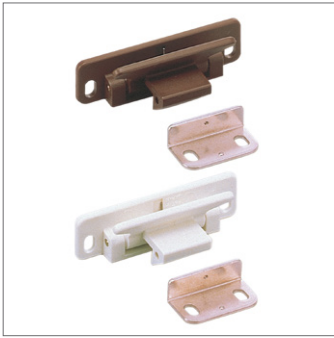
**Material**  
Nylon.

to hold the catch can be varied. Holding force of up to 20Kg.

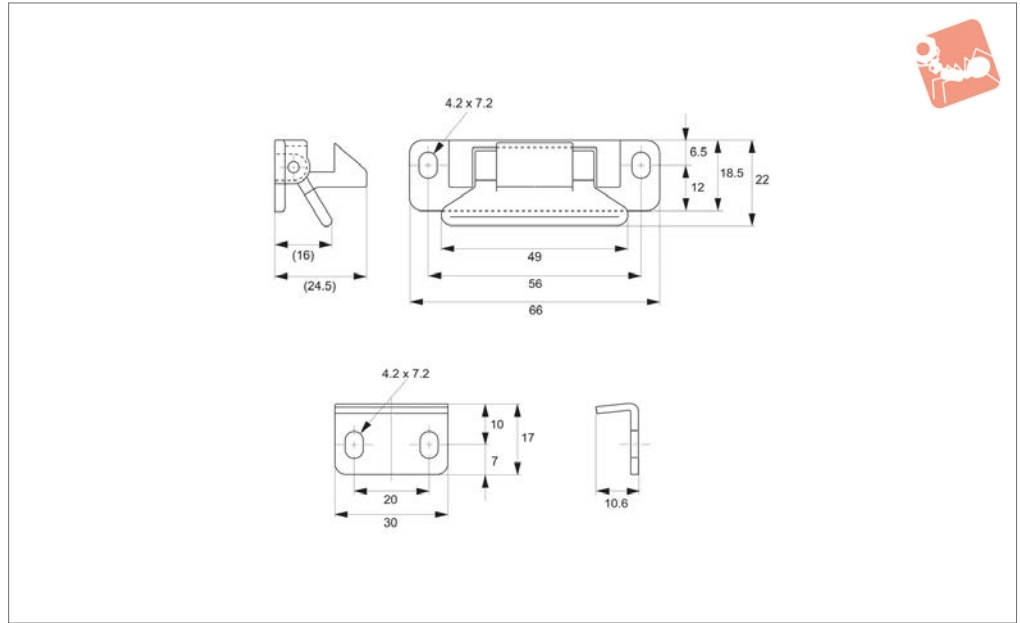
**Technical Notes**

By adjusting the screw the force required

Order No.	Finish	Push in force kg min.	Push in force kg kg max.	Pull out force kg min.	Pull out force kg kg max.	Weight g
E2100.AC0010	White	13	27	8	20	42
E2100.AC0020	Black	13	27	8	20	42



### E2001



#### Material

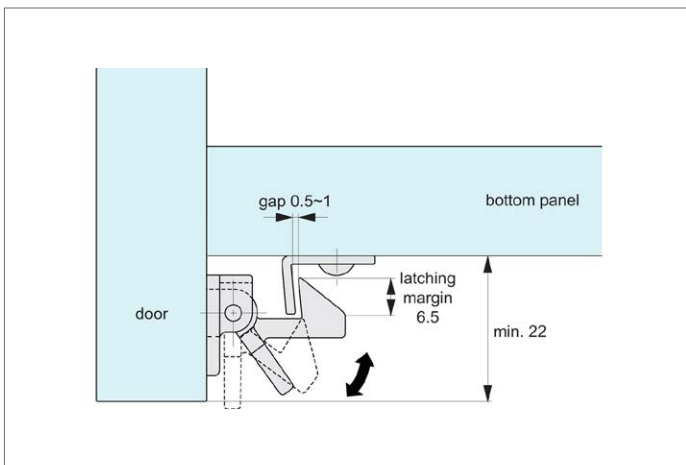
Body: polyamide.  
Counterplate: steel.

#### Technical Notes

Designed for use on door/ panel without handle or knob, to provide concealed

locking of panel.  
Screws not supplied.

Order No.	Finish	Holding force kg	Weight g
E2001.AC0010	White	20	25
E2001.AC0020	Brown	20	25



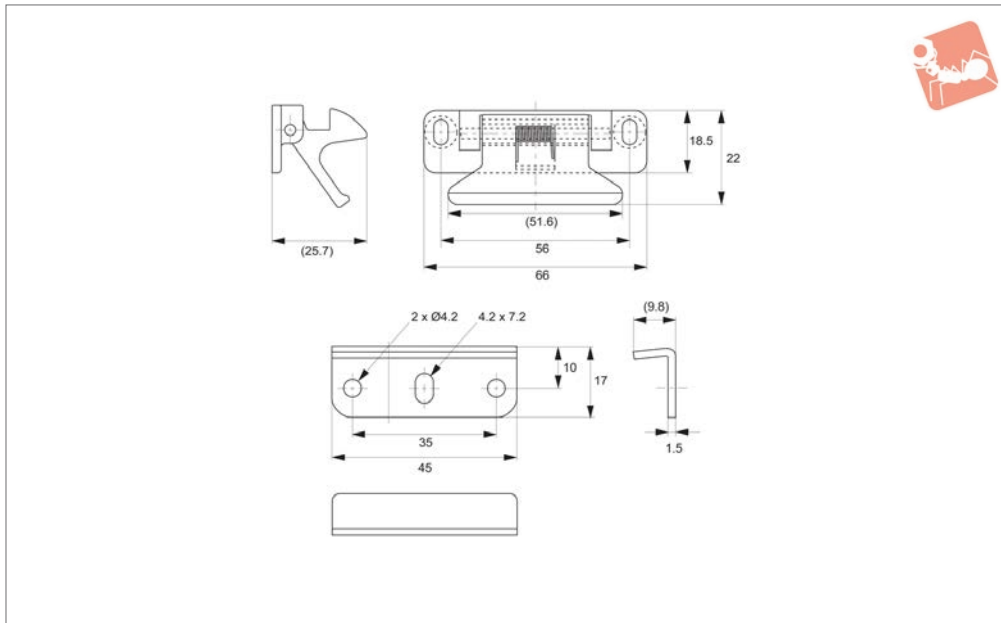




# Lever Catches

finger tip control - stainless steel

## Catches & Latches



**E2002**

CATCHES & LATCHES

**Material**

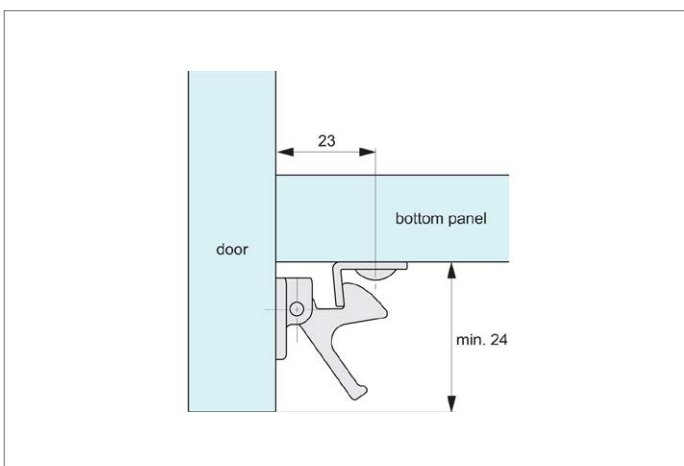
Stainless steel, AISI 316.

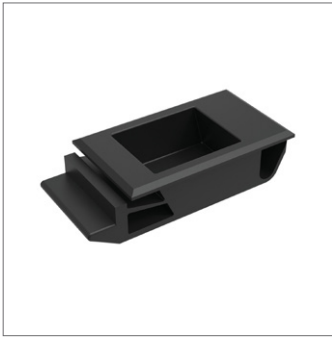
**Technical Notes**

Screws not supplied.

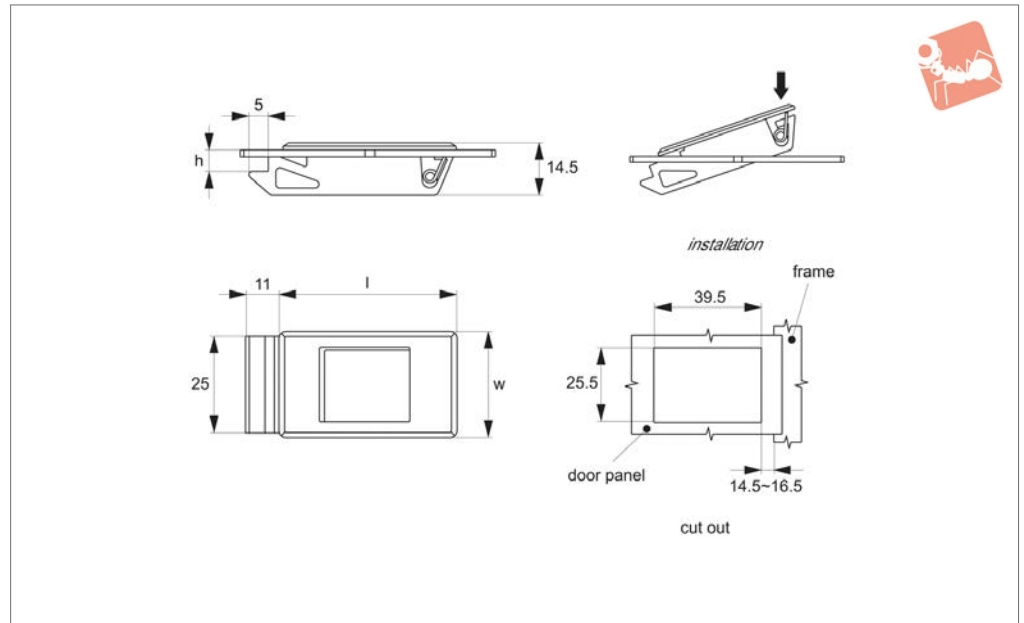
This lever catch is designed for use on door without knob or handle, to provide concealed latching and securing of panel.

Order No.	Finish	Holding force	Weight
E2002.AC0530	Stainless Steel	kg 20	g 85





**E2021**



**Material**

ABS plastic resin, stainless steel spring.

2mm. Ideal for small metal machinery covers.

**Technical Notes**

Suitable for panel thickness 1.5mm or

Pull back latch to open panel, release and latch is returned due to internal spring.

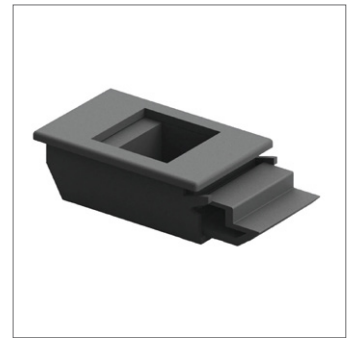
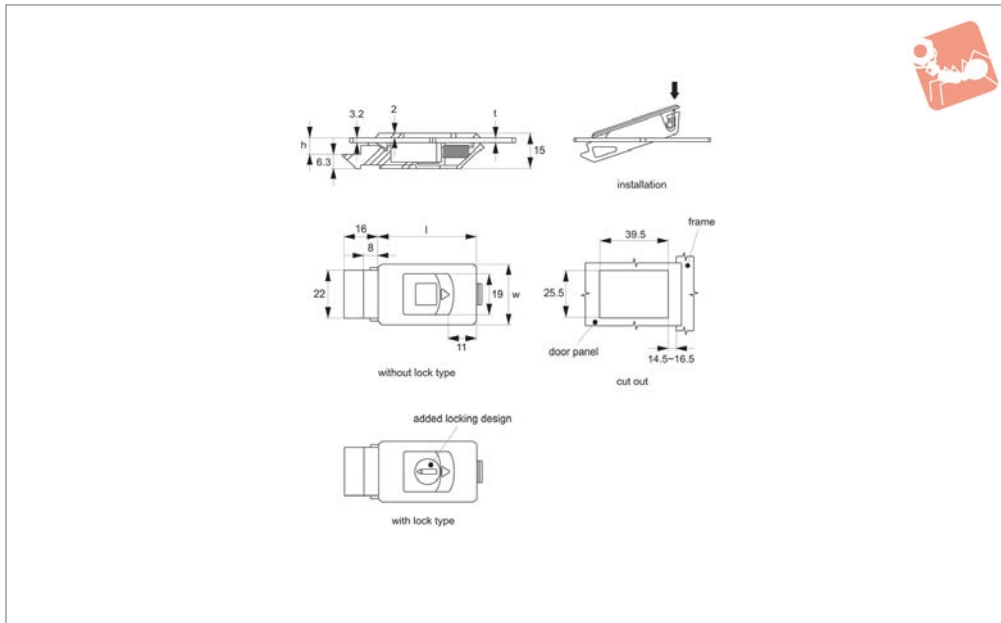
Order No.	Colour	For panel thickness	h grip length	l	w
E2021.AW0010	Grey	1.5	6	47	28
E2021.AW0020	Black	1.5	6	47	28
E2021.AW0310	Grey	2.0	6	47	28
E2021.AW0320	Black	2.0	6	47	28





# Slide Latches - Flush snap-in installation - release catch

## Catches & Latches



**E2031**

CATCHES & LATCHES

### Material

ABS plastic and stainless steel spring.

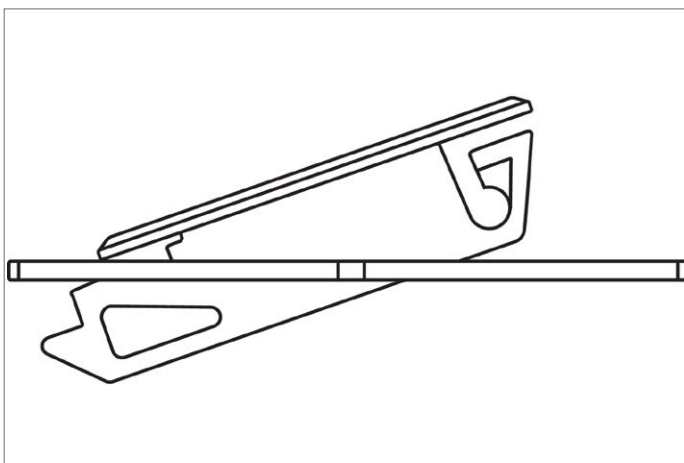
Uniquely different from our standard slide latch E2021 in the addition of an internal release catch - hence this latch does not slide over surface in order to actuate.

Suitable for panel thickness 1 - 2 mm.

### Technical Notes

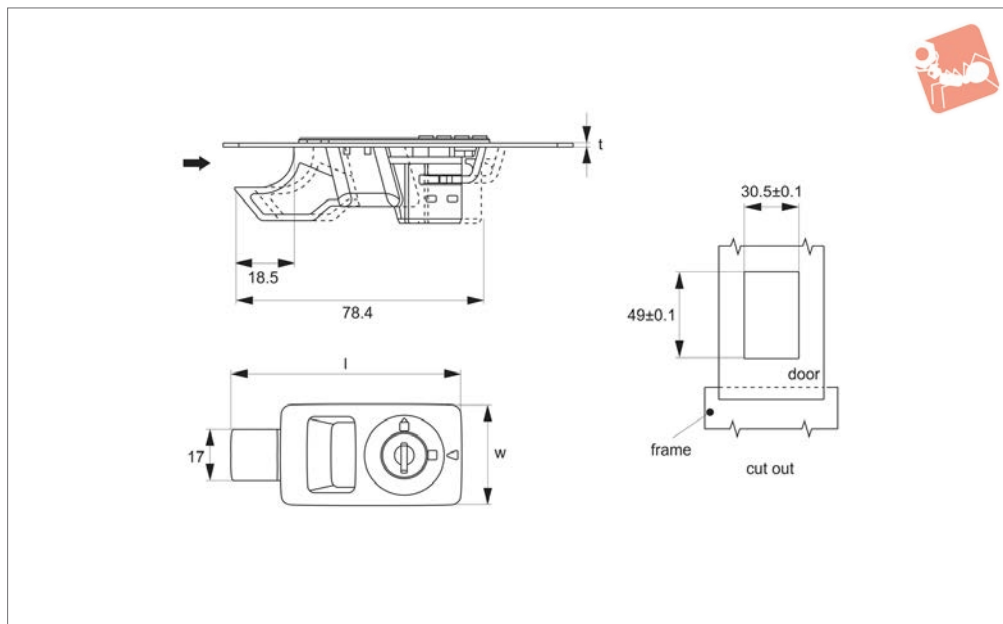
Ideal for small metal machinery covers.

Order No.	Colour	Type	Panel thickness min.   max.	h grip length	l	w
E2031.AW0010	Grey	W/o Lock	1-2	6.7	45	28
E2031.AW0020	Black	W/o Lock	1-2	6.7	45	28
E2031.AW0310	Grey	With Lock	1-2	6.7	45	28
E2031.AW0320	Black	With Lock	1-2	6.7	45	28





**E2034**



**Material**

ABS material, black.

**Supplied with:** Key.

**Technical Notes**

Suitable for panel thickness 1.8 - 2.1mm.

Insert and turn key 90° to retract cam and release. Cam stroke of 6,5mm. user.

**Tips**

Ideal for small metal machinery covers. Not included: Catch plate - designed by

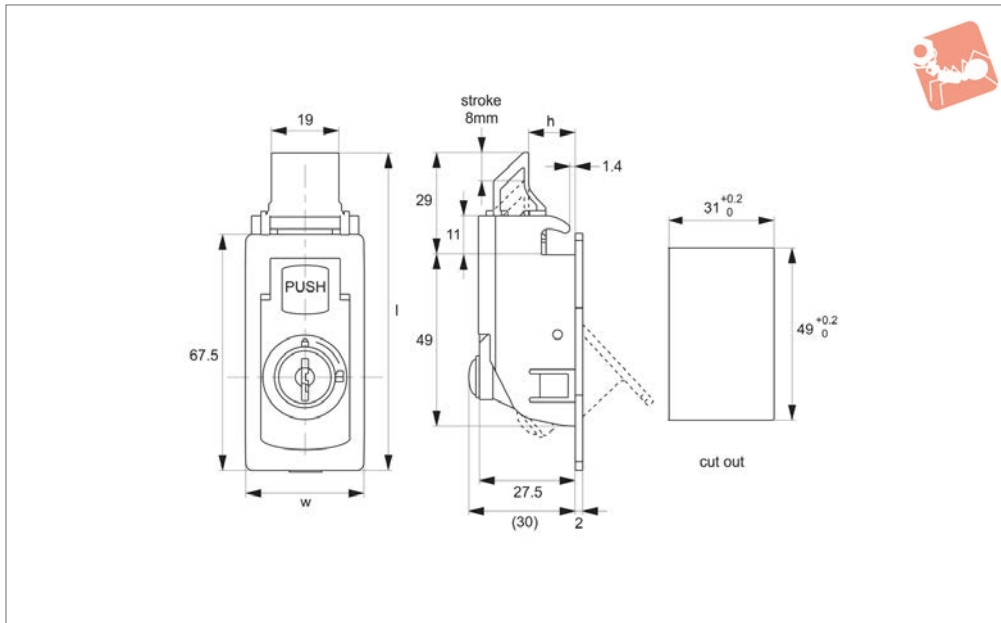
Order No.	Type	t panel thickness min.   max.	l	w	Catch stroke
E2034.AW0010	With Lock	1,8 - 2,1	75.8	34	6.5



# Touch Latches - Flush

snap-in installation - with secondary lock

## Catches & Latches



**E2036**

CATCHES & LATCHES

### Material

Polyamide, plastic (PA), black  
**Supplied with:** Keys: two per lock.

### Tips

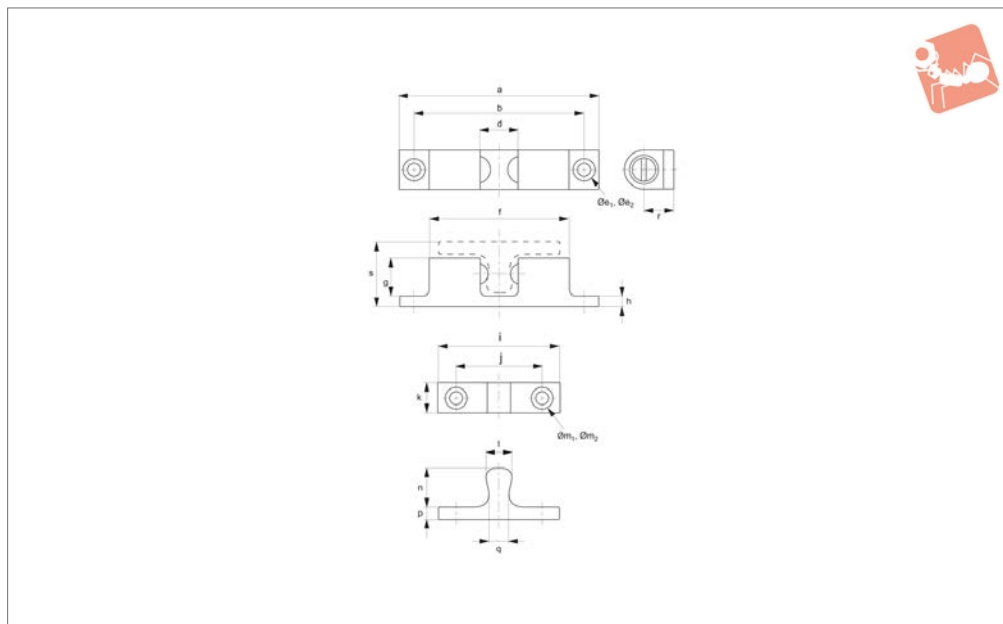
Insert key, turn 90° to release handle, depress handle as indicated to lift handle

and release cam. Ideal for small metal machinery covers. Cam has stroke of 8mm.

Order No.	Type	Panel thickness	h grip length	l	w	Catch stroke
E2036.AW0010	With Lock	1.4	13.3	90.55	34	8



## E4000



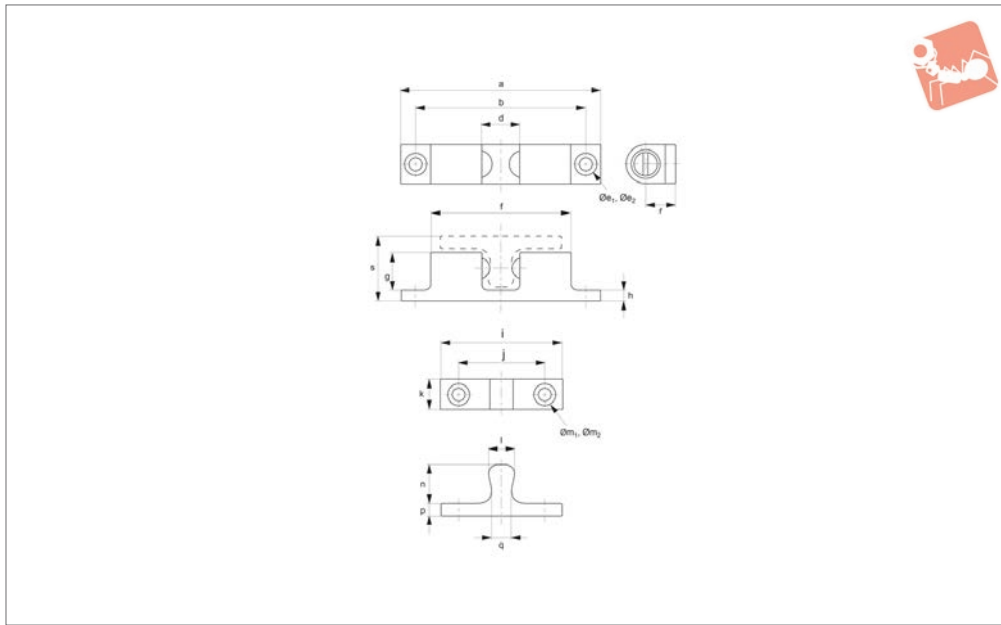
### Material

Body: zinc alloy, chrome finish.  
Ball: ball bearing stainless steel.

Order No.	Push in force kgf		Pulling force kgf		a	b	c	d	Ø e <sub>1</sub>	Ø e <sub>2</sub>	Weight g			
E4000.AC0040	4.4		3.0		42.5	35	8.0	6.3	3.2	6.2	16			
E4000.AC0050	4.1		3.3		50.0	40	10.0	8.4	4.2	8.2	26			
E4000.AC0070	4.6		3.5		70.0	60	13.5	13.0	4.2	8.2	70			

Order No.	f	g	h	i	j	k	l	Ø m <sub>1</sub>	Ø m <sub>2</sub>	n	p	q	r	s
E4000.AC0040	26.7	7.5	2.5	25	16	7.5	5.5	3.2	6.2	8.8	2.5	3.7	6.5	14.0
E4000.AC0050	29.8	9.5	3.0	30	20	9.0	7.3	4.2	8.2	9.8	2.5	4.7	7.4	16.0
E4000.AC0070	49.0	13.0	4.0	42	30	10.5	11.0	4.2	8.2	14.2	3.0	8.2	11.0	21.2



**E4100**

CATCHES & LATCHES

**Material**

Body: stainless steel, AISI 316, polished.  
Ball: ball bearing stainless steel.

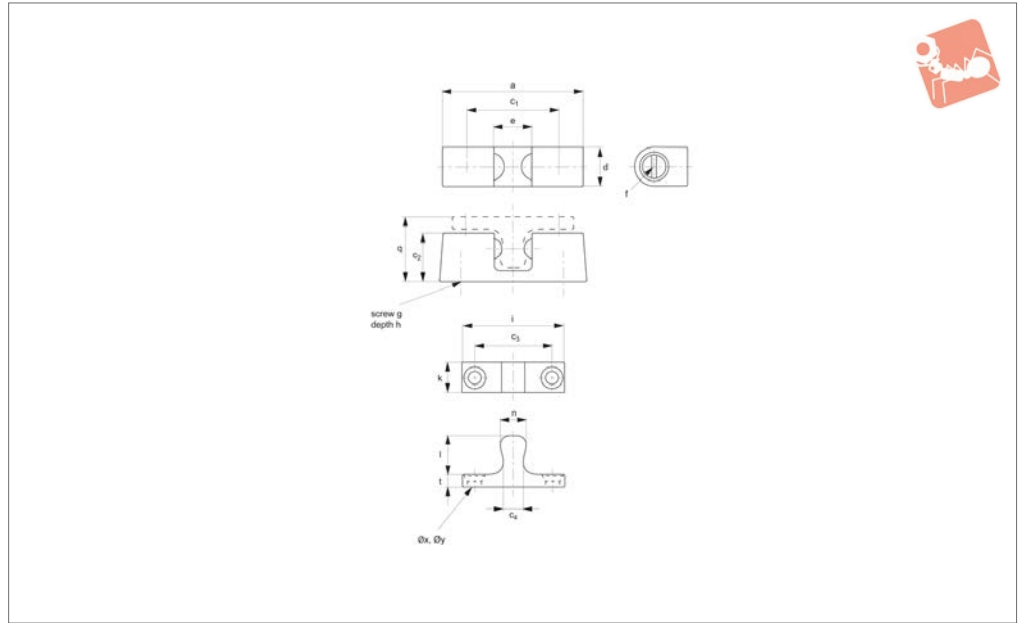
Order No.	Push in force kgf		Pulling force kgf		a	b	c	d	e <sub>1</sub>	e <sub>2</sub>	Weight g			
E4100.AC0040	2.0	1.3	43	35	8	5.9	3.2	6.2	18					
E4100.AC0050	2.3	1.8	50	40	10	7.5	4.2	8.2	30					
E4100.AC0070	5.7	3.9	70	60	13	13.0	4.2	8.2	83					

Order No.	f	g	h	i	j	k	l	m <sub>1</sub>	m <sub>2</sub>	n	p	q	r	s
E4100.AC0040	28.4	7.5	2.5	25	16	7.5	4.5	3.2	6.2	8.5	2.5	2.7	6.0	13.5
E4100.AC0050	31.5	9.3	2.9	30	20	9.0	6.0	4.2	8.2	10.3	2.9	3.8	7.7	15.9
E4100.AC0070	51.0	13.0	4.0	42	30	10.5	10.0	4.2	8.2	15.0	4.0	8.0	10.5	23.0



**E4300**



**Material**

Body: zinc alloy, chrome finish.  
Ball: ball bearing stainless steel.

Order No.	Push in force kgf		Pulling force kgf		a	c <sub>1</sub>	c <sub>2</sub>	c <sub>3</sub>	c <sub>4</sub>	d	e	Weight g
E4300.AC0040	3.6		2.4		28.5	20	12.5	16	3.0	8.3	6.5	18
E4300.AC0070	4.1		3.9		48.0	34	20.5	32	7.3	13.5	12.7	75

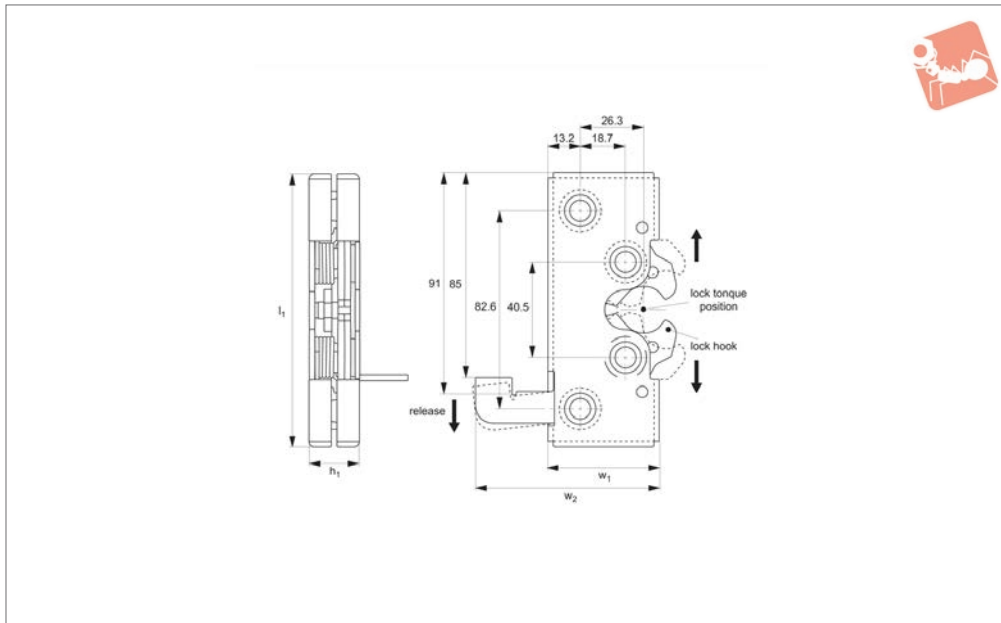
Order No.	f	g	h	i	k	l	n	q	t	x	y
E4300.AC0040	R4,0	M 3	5	24	8	9	5	15.7	3	3.2	6.2
E4300.AC0070	R6,5	M 5	6	42	11	13	10	24.9	4	4.2	8.2





# Tension Catches - Concealed rotary latch - steel

## Catches & Latches



**E4500**

CATCHES & LATCHES

**Material**

steel, zinc plated

**Technical Notes**

Robust latch for doors and panels. The

rotary action of the locking jaws provides secure fastening in a push-to-close action. Suitable for entry doors, engine covers, baggage doors and access panels.

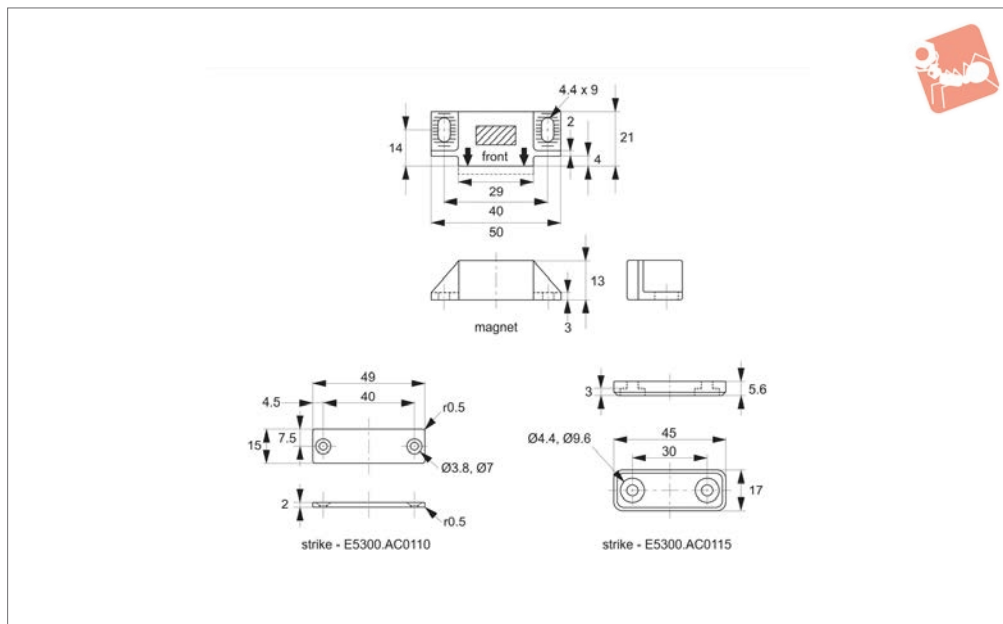
**Tips**

Push to close. Actuation of lever releases lock hook to allow opening.

Order No.	$h_1$	$l_1$	$w_1$	$w_2$	Load N max.
E4500.AW0010	21	114	46	75.7	10.000



## E5300



### Material

Body: polyacetal.

Magnet: neodymium.

Strike plate: stainless steel, AISI 304,

especially treated for magnetism; or sealed  
strike plate in polyacetal.

### Technical Notes

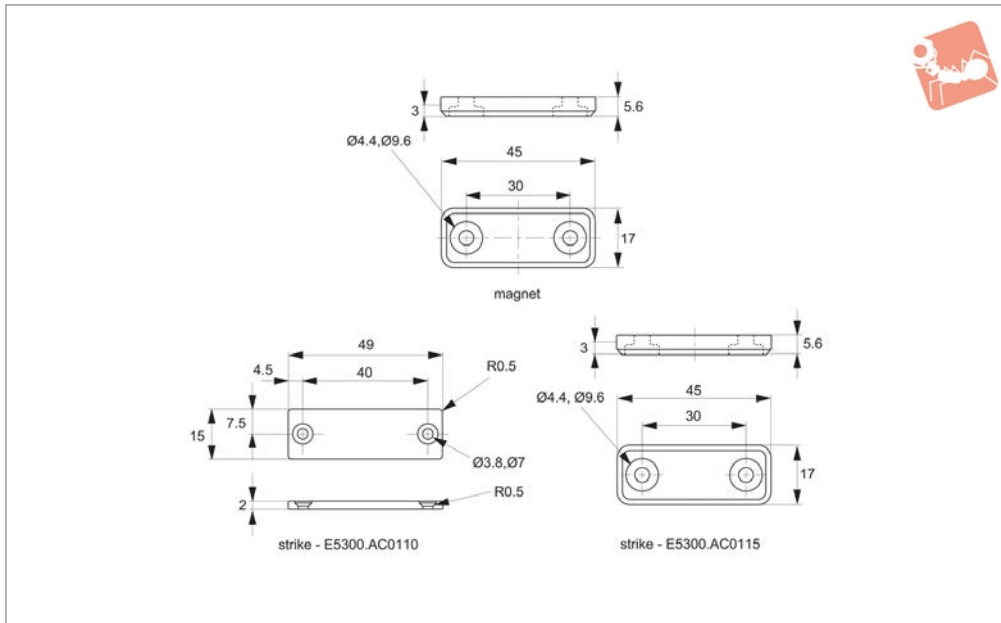
For clean room and medical environment,  
hermetically sealed.

Order No.	Type	Magnetic force kgf	Finish	Weight g
E5300.AC0010	Magnet	3	White	21.0
E5300.AC0020	Magnet	3	Black	21.0



# Magnetic Catches - Hermetically slimline - for clean room and medical environments

## Catches & Latches



### E5320

CATCHES & LATCHES

#### Material

Magnet body: polyacetal.  
Magnet: neodymium.  
Strike plate: stainless steel, AISI 304,

specialy treated for magnetism; or sealed  
strike plate in polyacetal.

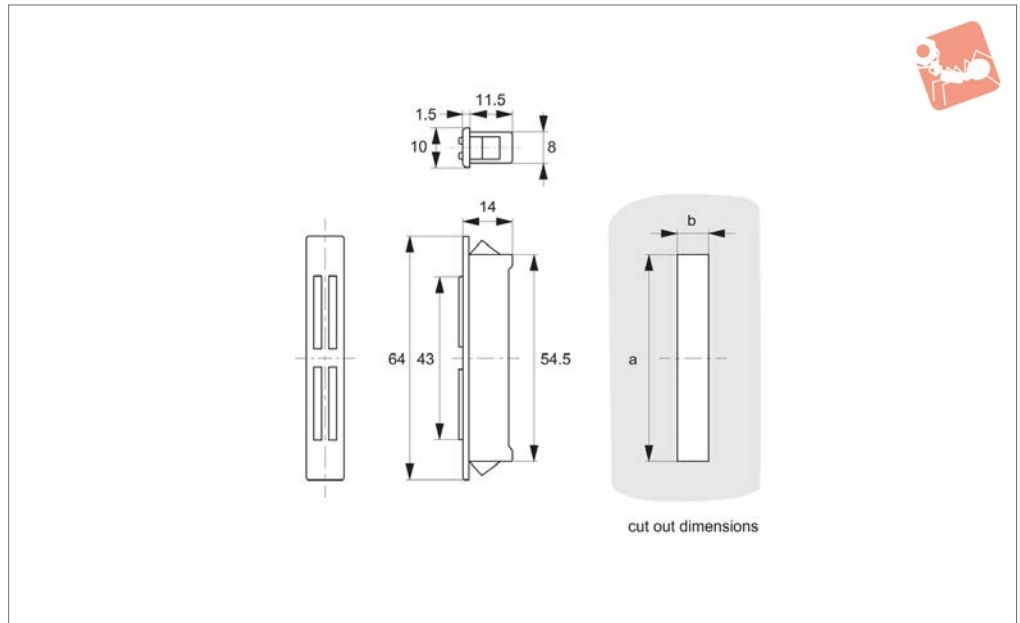
#### Technical Notes

Ideal for clean room and medical environments, hermetically sealed.

Order No.	Type	Magnetic force kgf	Finish	Weight g
E5320.AC0010	Magnet	3.0	White	9



**E5400**



**Material**

Body: ABS plastic, white.  
Yoke: steel.

door thickness, see installation table below.

**Tips**

Snap-in type magnet for easy installation, especially for sheet metal application.

**Technical Notes**

Dimensions a and b are dependant upon

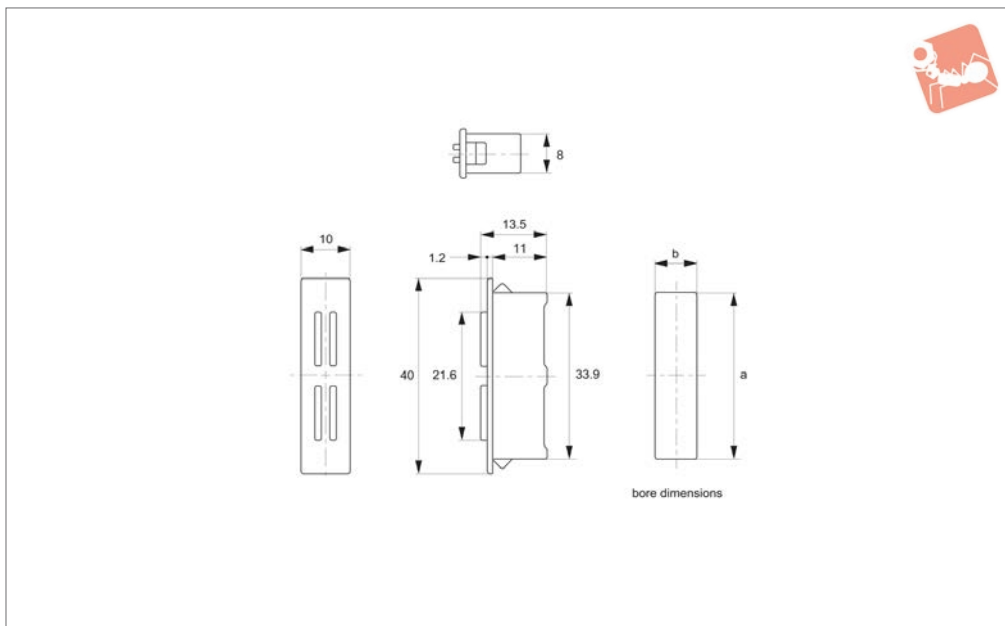
Order No.	Magnetic force kgf	Weight g
E5400.AC0010	6	18



# Magnetic Catches

snap-in type

## Catches & Latches



**E5450**

CATCHES & LATCHES

**Material**

Body: ABS plastic.  
Yoke: steel.

Magnet: neodymium.

**Technical Notes**

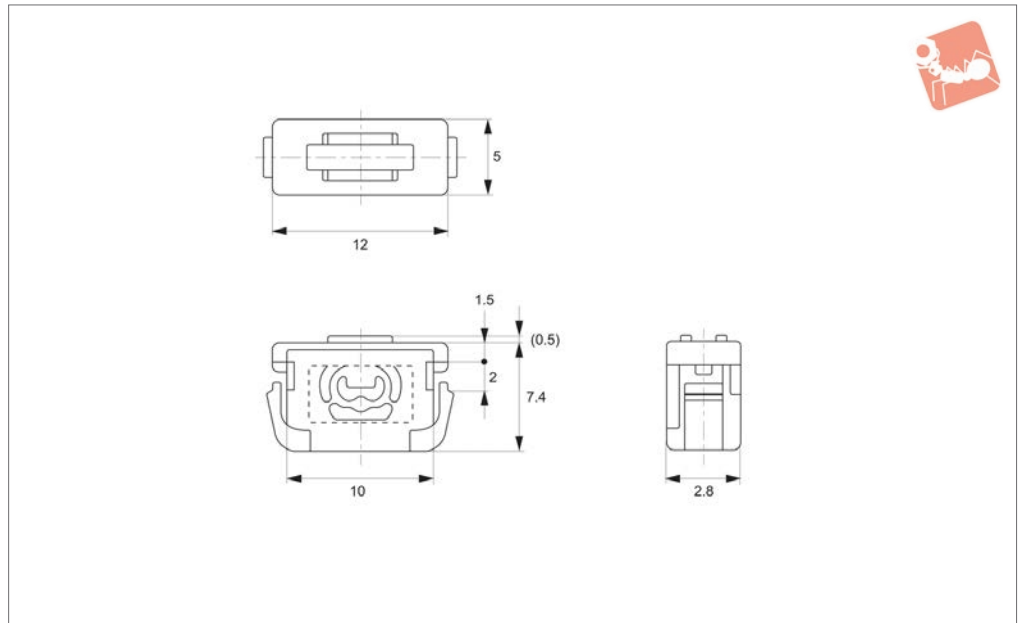
Dimensions a and b are dependant upon

door thickness, see installation table below.

Order No.	Magnetic force kgf	Finish	Weight g
E5450.AC0010	4.5	White	9
E5450.AC0020	4.5	Black	9



**E5600**



**Material**

Body: polyamide.  
Yoke: steel.

**Technical Notes**

Suitable for doors 1,5 to 2mm thick.

**Order No.**

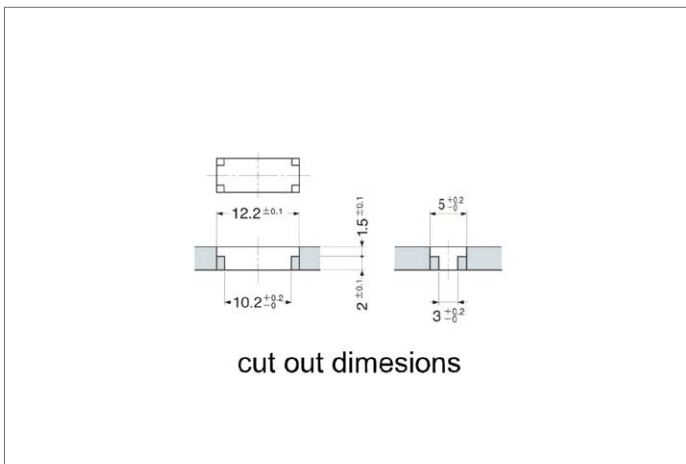
**E5600.AC0010**

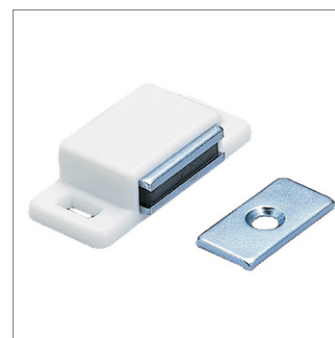
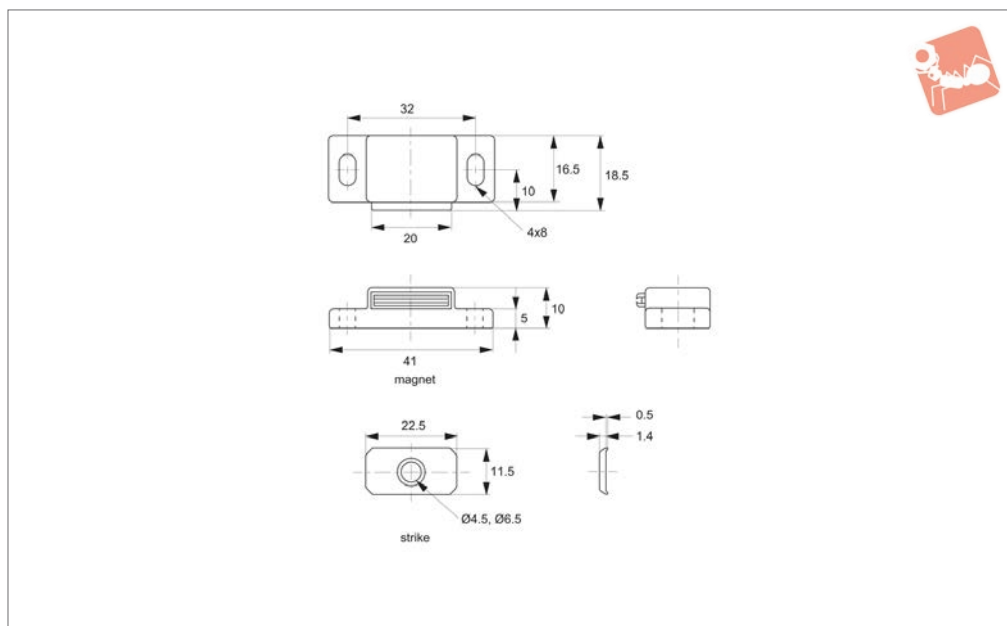
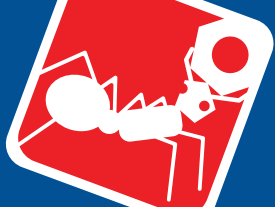
**Magnetic force**

kgf  
0,25-0,50

**Weight**

g  
1





## E5650

CATCHES & LATCHES

### Material

Body: polypropylene.  
Strike: steel.

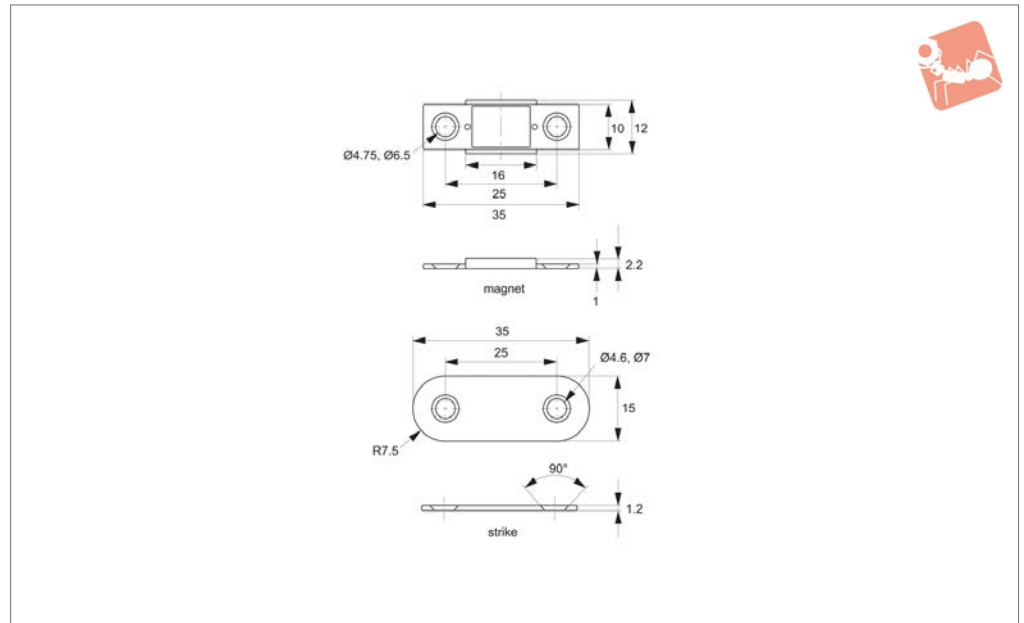
### Technical Notes

Screws not supplied.  
Magnet and strike supplied together.

Order No.	Magnetic force kgf	Finish	Weight g
E5650.AC0010	1.5	White	12
E5650.AC0015	3.5	White	12
E5650.AC0020	1.5	Black	12
E5650.AC0025	3.5	Black	12



**E5670**



**Material**

Base & counter strike: steel.  
Magnet: neodymium.

**Technical Notes**

Magnet and strike supplied together. Only

2mm thick. Maximum temperature 80°C. To avoid damage, counter plate should not hit magnet. Screw heads need to be flush with the base plate to ensure effective operation.

Order No.	Type	Magnetic force kgf	Weight g
E5670.AC0010	Magnet	2.7	7.5

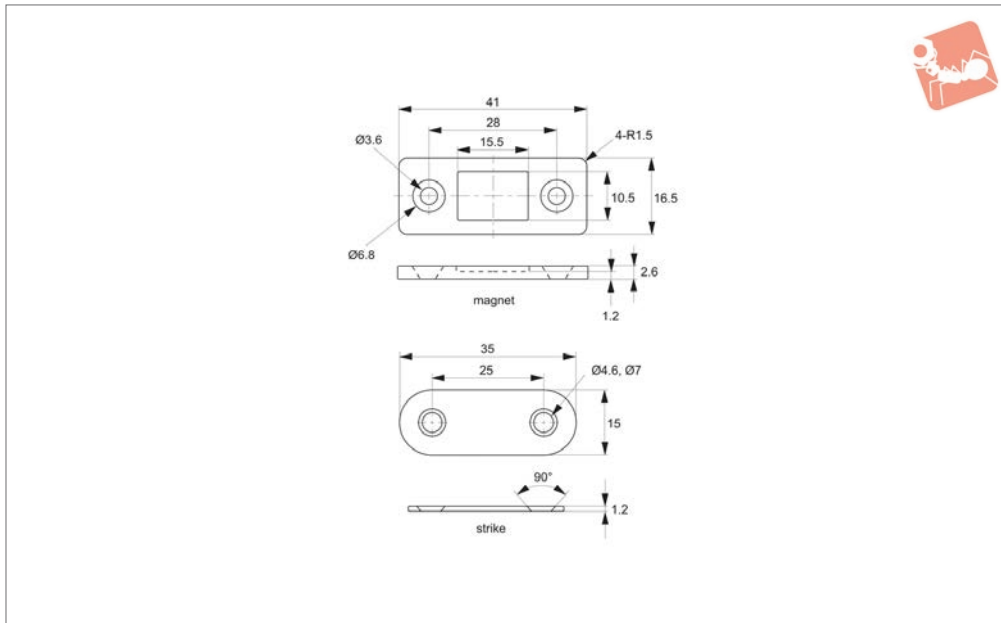




# Magnetic Catches

ultra thin - ultra strong

## Catches & Latches



**E5680**

CATCHES & LATCHES

### Material

Body & yoke: steel, nickel plated.  
Magnet: neodymium

### Technical Notes

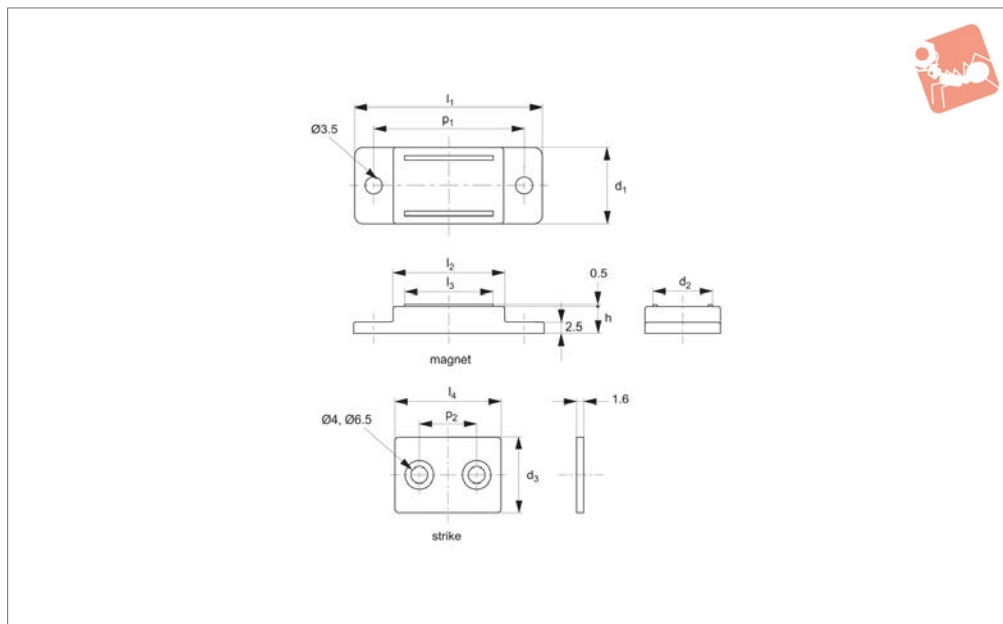
Ultra thin with extra strong magnetic force. Max.temperature 80°C. To avoid

damage, counterplate should not hit magnet.

Order No.	Type	Magnetic force kgf	Weight g
E5680.AC0010	Magnet	4.0	12
E5680.AC0110	Strike Plate	-	4



**E5690**



**Material**

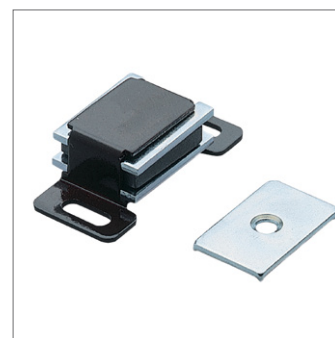
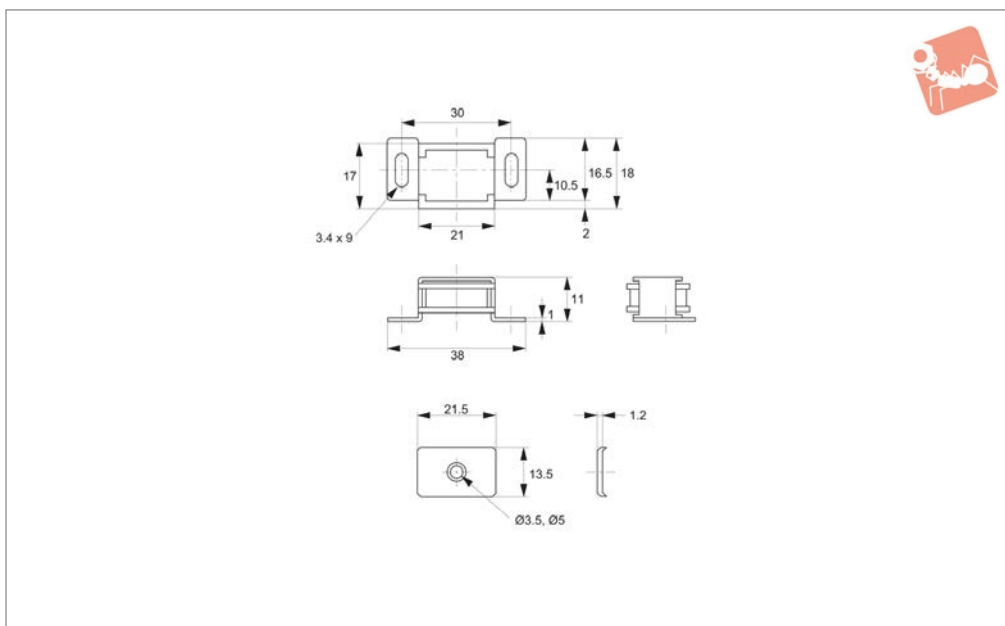
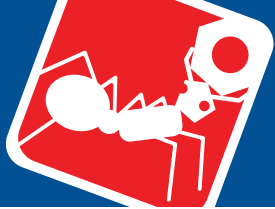
Body: ABS plastic.  
Yoke and counter plate: steel.

Magnet: ferrite.

**Technical Notes**

Magnet and Strike supplied together.

Order No.	Magnetic force kgf	Finish	l <sub>1</sub>	l <sub>2</sub>	l <sub>3</sub>	l <sub>4</sub>	d <sub>1</sub>	d <sub>2</sub>	d <sub>3</sub>	p <sub>1</sub>	p <sub>2</sub>	h	Weight g
E5690.AC0010	5	Ivory	64	46	42	45	24.5	21.0	24	55	30	7.0	48
E5690.AC0012	3	Ivory	53	35	31	34	23.5	20.0	23	44	20	6.2	32
E5690.AC0014	1	Ivory	43	25	20	24	17.0	13.5	17	34	13	6.0	14
E5690.AC0020	5	Black	64	46	42	45	24.5	21.0	24	55	30	7.0	48
E5690.AC0022	3	Black	53	35	31	34	23.5	20.0	23	44	20	6.2	32
E5690.AC0024	1	Black	43	25	20	24	17.0	13.5	17	34	13	6.0	14



**E5700**

CATCHES & LATCHES

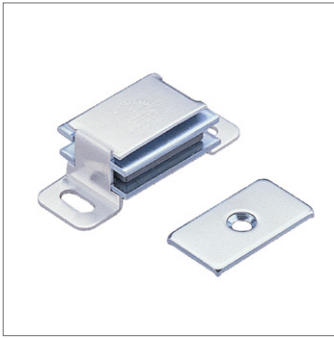
**Material**

Body: aluminium alloy, browned.  
Yoke and strike: steel, clear zinc chromate.

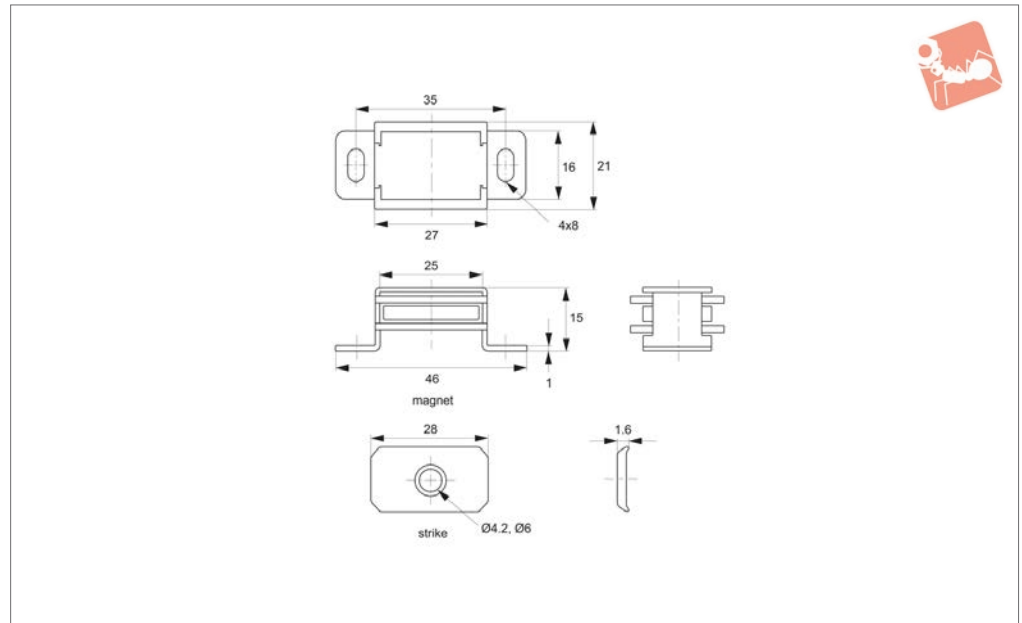
**Technical Notes**

Supplied with fitting screws.  
Magnet and strike supplied together.

Order No.	Magnetic force kgf	Weight g
E5700.AC0010	0.8	17



**E5750**



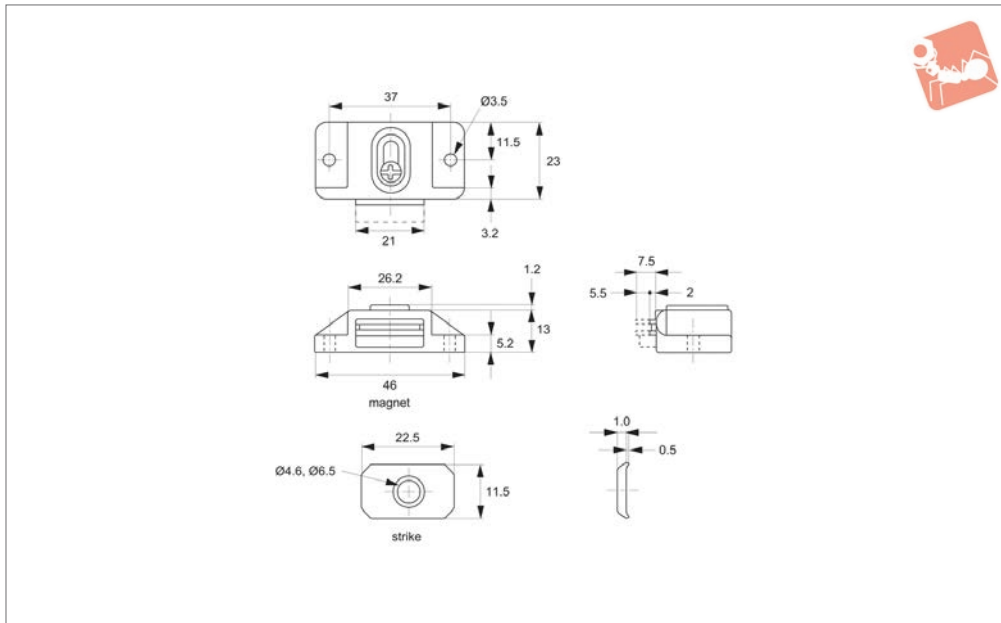
**Material**

Body: aluminium alloy, natural.  
Yoke and strike: steel, clear zinc chromate.

**Technical Notes**

Magnet and strike supplied together.

Order No.	Magnetic force kgf	Weight g
E5750.AC0010	1.5	28.5



**E5800**

CATCHES & LATCHES

**Material**

Body: ABS plastic.  
Yoke: steel.

**Technical Notes**

Position of the magnet is adjustable by up to 5,5mm.

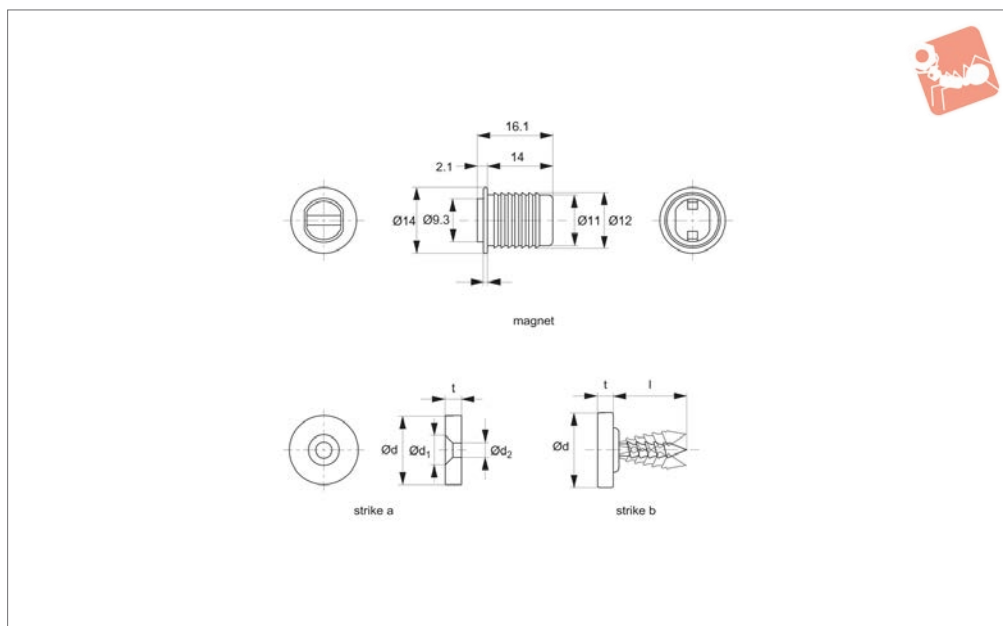
Supplied with screws (3,1x13).

Magnet and Strike supplied together.

Order No.	Magnetic force kgf	Finish	Weight g
E5800.AC0010	3	Ivory	18
E5800.AC0020	3	Black	18



## E5850



### Material

Body: polypropylene.

Yoke: steel.

Strike: steel, nickel or chrome plated.

### Technical Notes

Catches can be used with either strike a or

b, to suit your application.

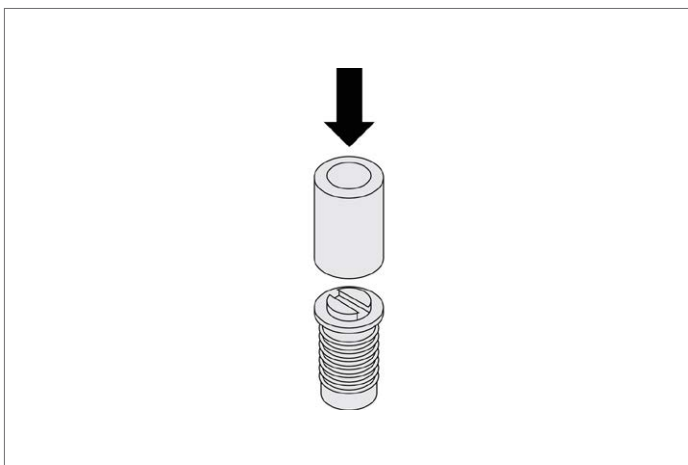
Moveable magnet enables better positioning to ensure full surface contact with strike, and hence full magnetic force.

pressure to plastic housing only, to avoid damage to the magnet.

### Tips

When installing magnet, use tube to apply

Order No.	Type	Magnetic force kgf	Finish	t	d	d <sub>1</sub>	d <sub>2</sub>	l	Weight g
E5850.AC0010	Magnet	2.5	White	-	-	-	-	-	6.0
E5850.AC0020	Magnet	2.5	Black	-	-	-	-	-	6.0
E5850.AC0703	Strike A	-	Chrome Plated	2.5	12	6	3	-	1.7
E5850.AC0704	Strike A	-	Nickel Plated	3.0	15	8	4	-	3.3
E5850.AC0713	Strike B	-	Nickel Plated	2.5	12	-	-	12	2.0

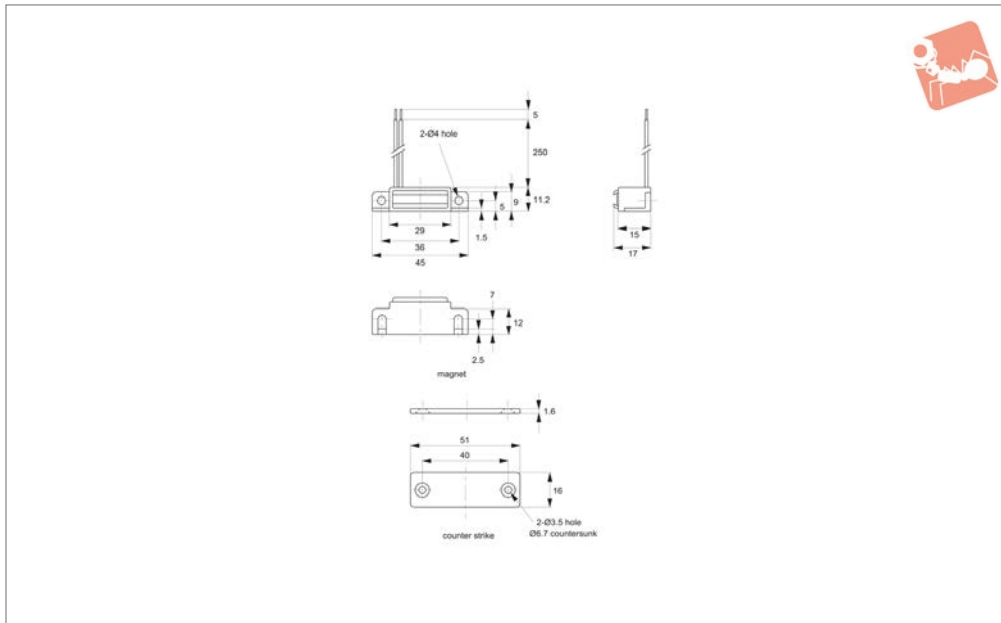




# Magnetic Catches

with electronic reed switch for signalling

## Catches & Latches



**E5900**

CATCHES & LATCHES

### Material

Body: polycarbonate, black.  
Magnet and counter plate: steel, nickel plated.  
Cable: UL1007 AWG#26, black. Max. cable strength 1Kg.

Wattage: 10W  
Voltage: 100V DC  
Max. load rating: 0.5A DC  
Max contact resistance (excl. cable): 0.15 ohm.  
Temperature resistance 0 to 60°C.

Type B: Reed switch opens when counter plate and magnet are separated.

### Technical Notes

Magnet has the following electrical properties:

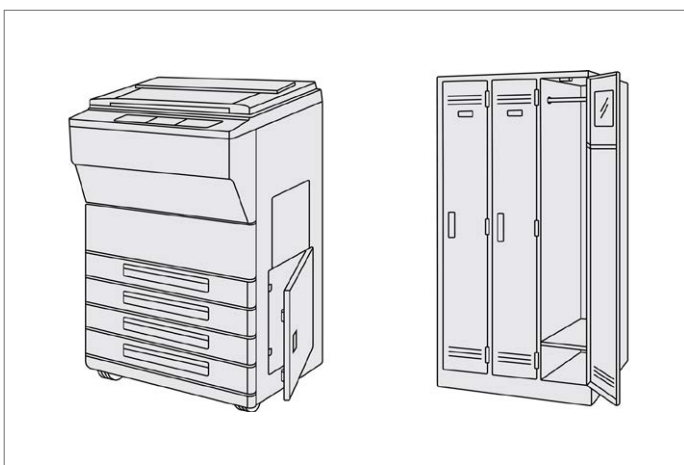
### Tips

Type A: Reed switch closes when counter plate and magnet are separated.

### Important Notes

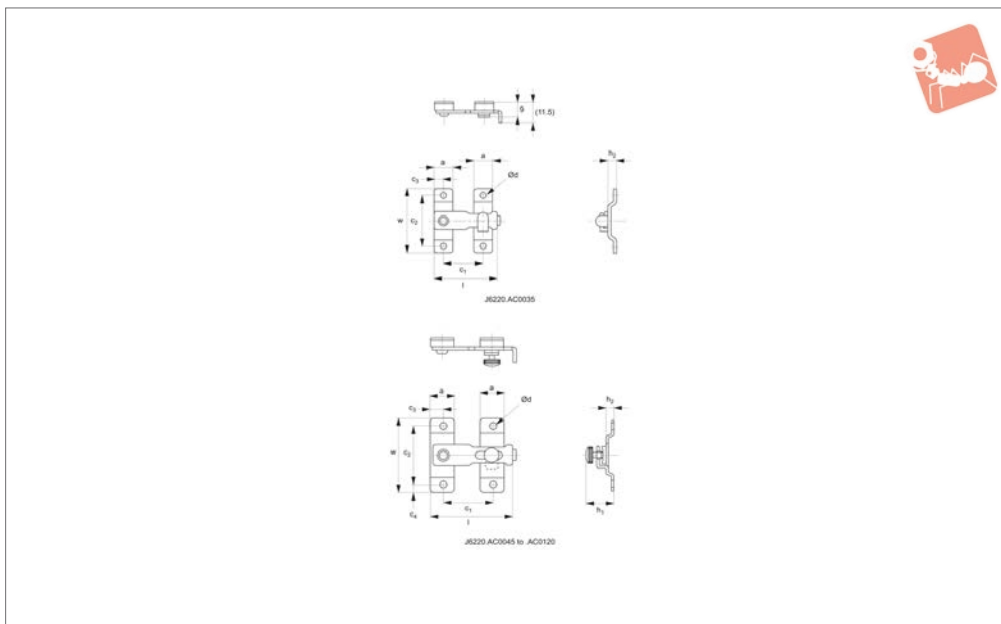
Magnet and Counter Strike enable completion or breaking of electrical circuit of the reed switch, and can be easily incorporated into a lighting or sensor circuit. The magnetic field is NOT powered on/off by any electrical current.

Order No.	Magnetic force kgf	Movement type	Weight g
E5900.AC0010	1	B - Reed Switch Open	28
E5900.AC0020	3	A - Reed Switch Closed	28
E5900.AC0030	3	B - Reed Switch Open	28





## J6220



### Material

Stainless steel AISI 304, polished.

latch closed.

Note: J6220.AC0035 has no thumb screw.

### Important Notes

Latch with thumb screw on strike to keep

Order No.	l	w	a	$c_1$	$c_2$	$c_3$	$c_4$	$h_1$	$h_2$	$\varnothing d$	Weight g
J6220.AC0035	35	35	10	22	28	5.0	3.5	-	4.2	3.3	19
J6220.AC0045	45	40	13	28	32	6.5	4.0	15	4.5	3.3	28
J6220.AC0055	55	46	16	35	37	8.0	4.5	19	6.0	4.0	50
J6220.AC0080	81	65	20	52	53	10.0	6.0	23	7.0	4.8	100
J6220.AC0100	100	80	25	60	66	12.5	7.0	29	8.0	5.5	200
J6220.AC0120	120	100	30	75	80	15.0	10.0	30	8.0	6.5	295

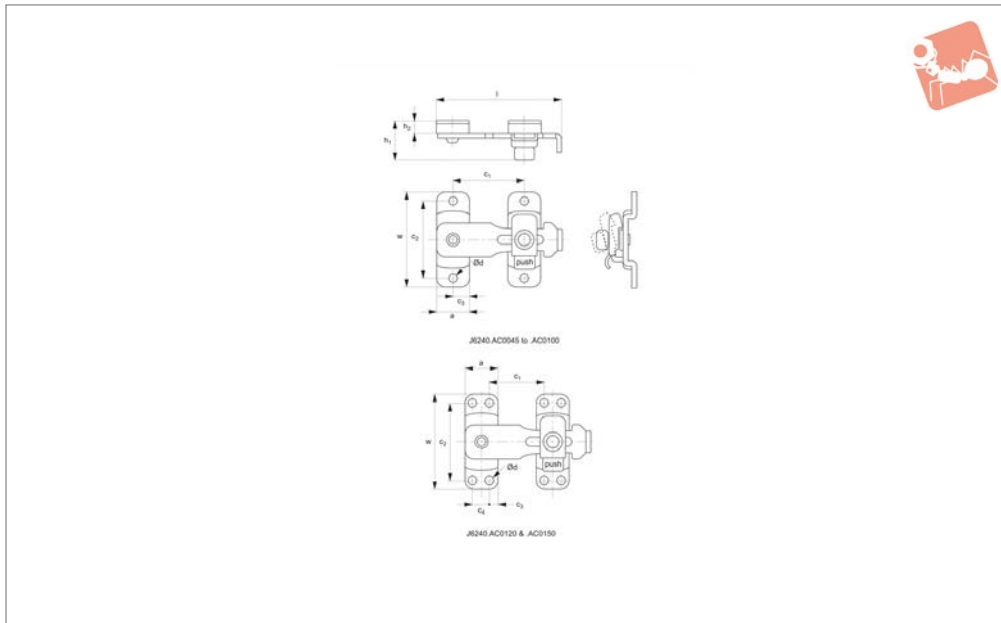




# Bar Latches

spring loaded - stainless steel

## Catches & Latches



## J6240

CATCHES & LATCHES

### Material

Stainless steel AISI 304, polished.

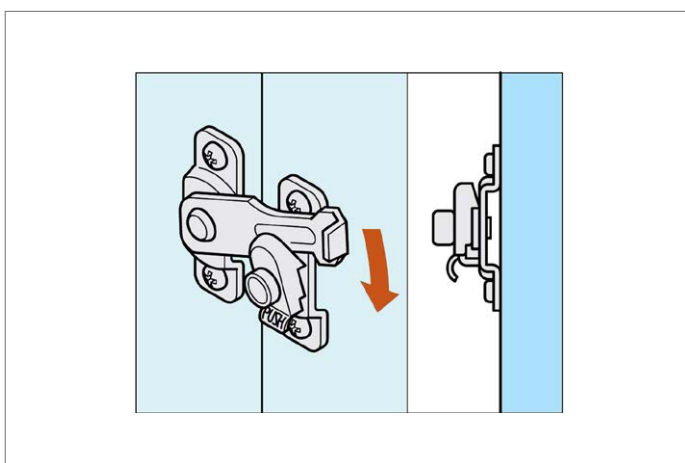
prevent accidental release, and hence latch can be used upside down.

### Technical Notes

Latch snaps into spring loaded strike to

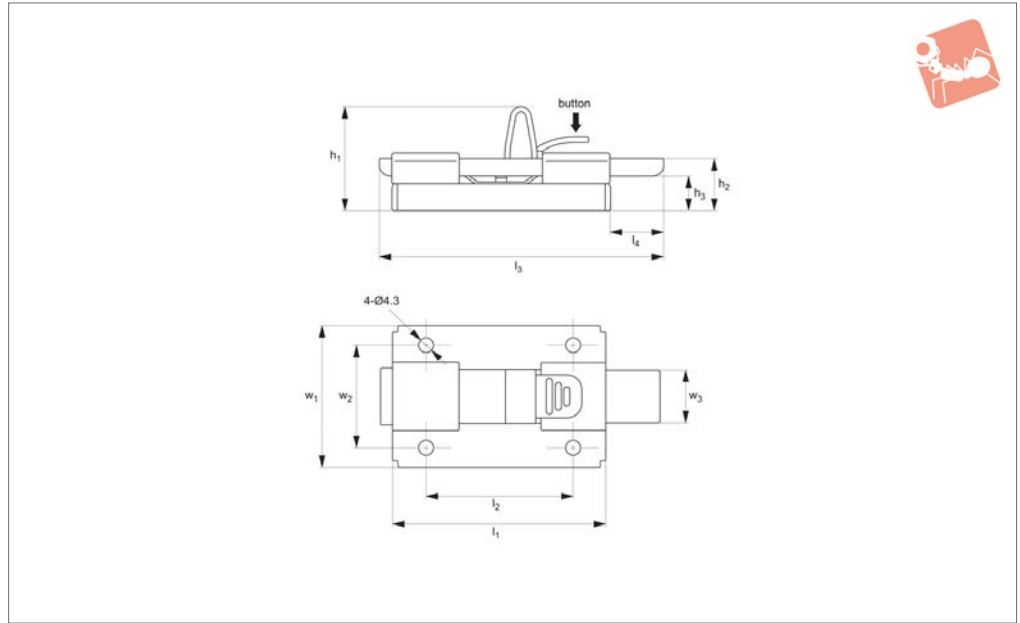
Push tab on strike to release.

Order No.	l	w	a	c <sub>1</sub>	c <sub>2</sub>	c <sub>3</sub>	c <sub>4</sub>	h <sub>1</sub>	h <sub>2</sub>	Ø d	Weight g
J6240.AC0045	48	40	13.0	23 ±3	32	6.50	-	17.0	4.5	3.2	28
J6240.AC0060	63	46	16.0	34 ±4	37	8.00	-	20.0	6.0	4.2	50
J6240.AC0080	85	65	20.0	47 ±7	53	10.00	-	22.5	7.0	5.0	100
J6240.AC0100	105	80	25.0	59 ±7	66	12.50	-	26.5	8.0	5.5	182
J6240.AC0120	127	100	28.5	56 ±10	80	6.75	15	28.0	8.0	6.2	270
J6240.AC0150	155	120	30.5	74 ±14	95	7.25	16	28.0	8.0	6.2	350





**J6260**



**Material**

Stainless steel.

**Not supplied:** fixing screws.

**Tips**

Push button to adjust/move bolt.

$l_3$  max. extension of latch bolt stroke=

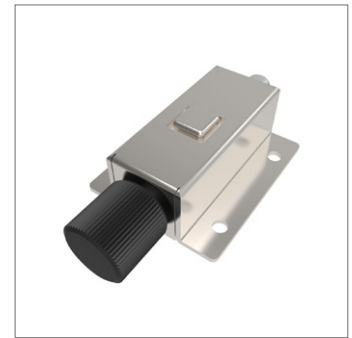
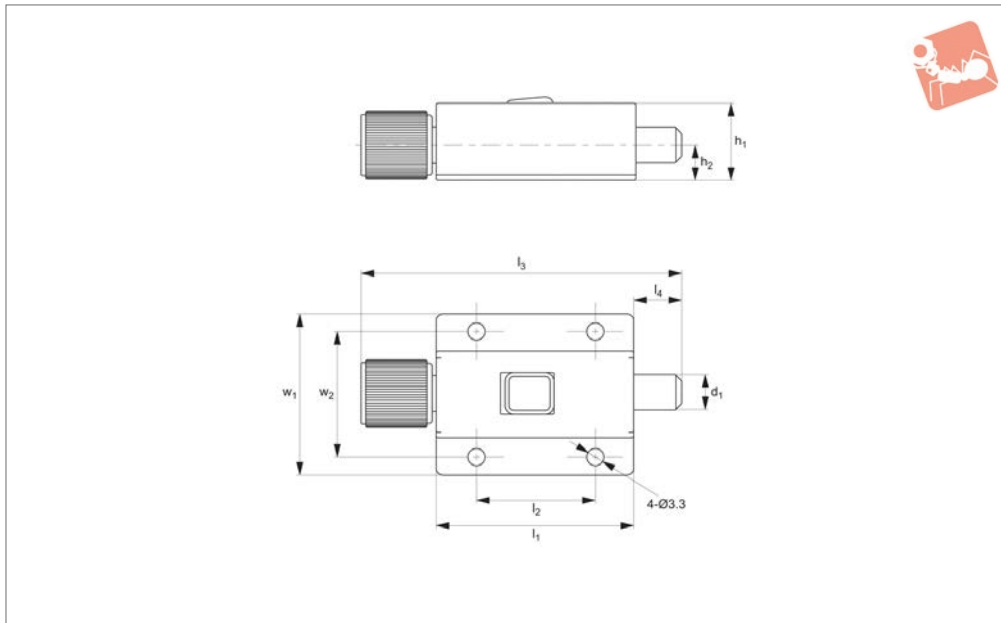
14,5mm.

Order No.	$l_1$	$l_2$	$l_3$	$h_1$	$h_2$	$h_3$	$l_4$	$w_1$	$w_2$	$w_3$	Stroke
J6260.AW0010	65	45	85.5	31.3	15.5	10	16.7	44	32.5	18	14.5



# Slide Bar Latch stainless steel

## Catches & Latches



### J6262

CATCHES & LATCHES

#### Material

Housing: stainless steel.  
Bolt: steel, chrome plated.

Grip: plastic.

#### Tips

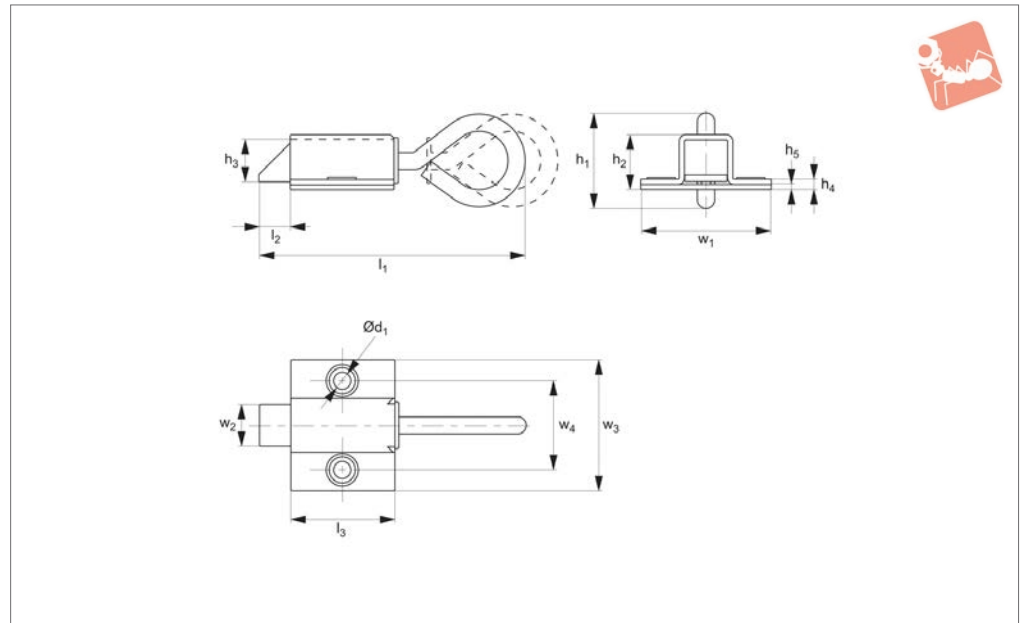
Push button to adjust/move bolt.

$l_3$  max. extension of latch bolt stroke= 14,5mm.

Order No.	$l_1$	$d_1$	$l_2$	$l_3$	$h_1$	$h_2$	$l_4$	$w_1$	$w_2$	Stroke
J6262.AW0010	40	7	25	64	15	7	9	33.5	26.5	9



**J6266**



**Material**

Body: steel, zinc plated.

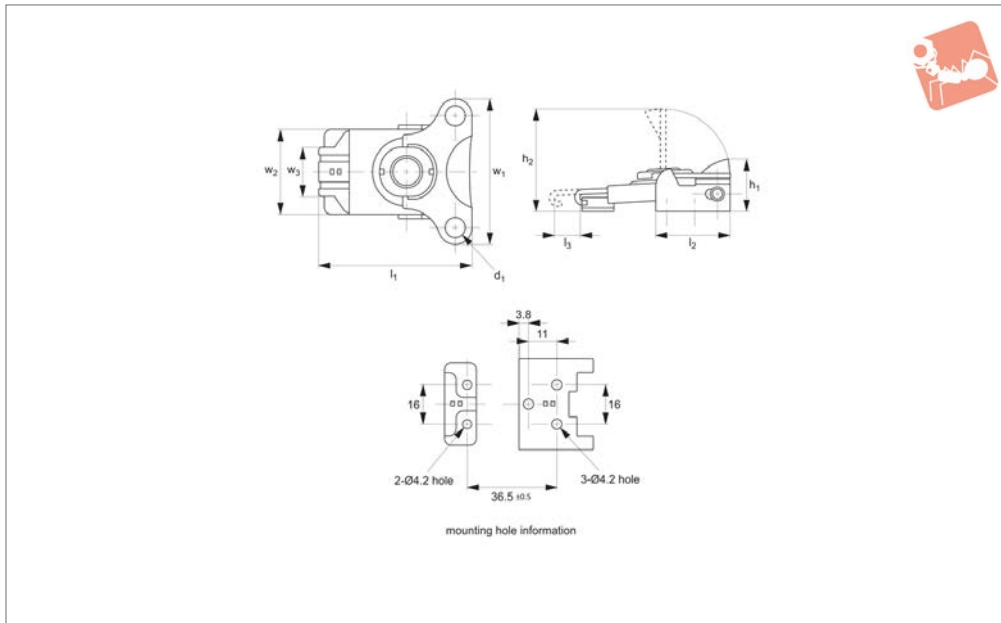
**Technical Notes**

Mounted via 2 x M5 screws (not supplied).

**Tips**

Easy actuation using pull ring, catch has stroke of 9,5mm.

Order No.	$l_1$	$l_2$ stroke	$l_3$	$h_1$	$h_2$	$h_3$	$h_4$	$h_5$	$\varnothing d_1$	$w_1$	$w_2$	$w_3$	$w_4$
J6266.AW0010	83	9.5	34	28	16.5	12.7	3	1.5	5.3	39	12.7	39	26.9



**J0100**

DRAW LATCHES

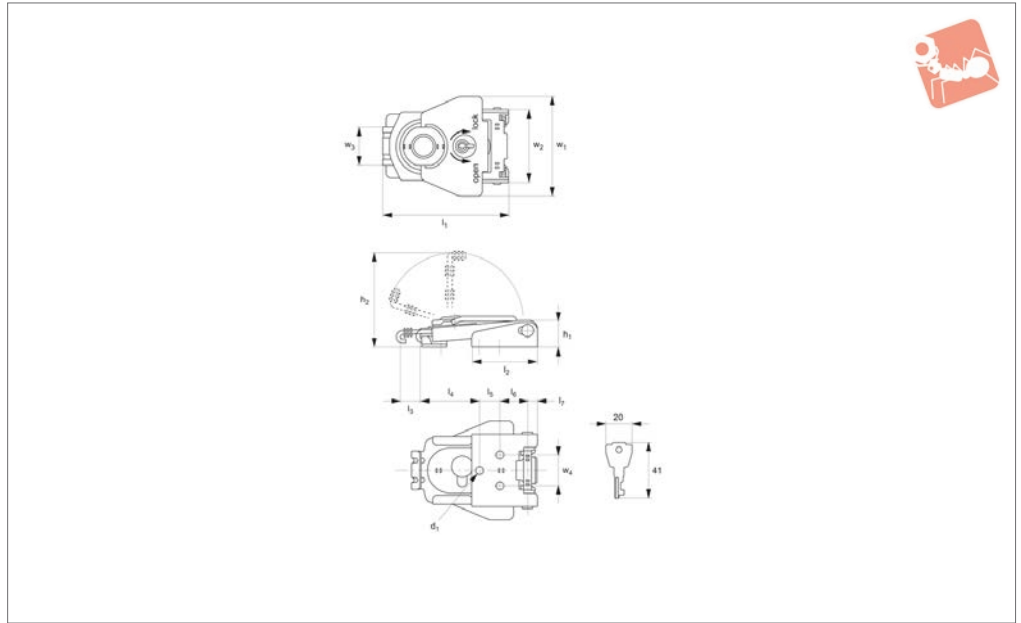
**Material**

All parts from stainless steel, AISI 304, polished.

Order No.	$l_1$	$h_1$	$w_1$	$\varnothing d_1$	$h_2$	$l_2$	$l_3$ stroke	$w_2$	$w_3$	Weight g
J0100.AC0030	61	22	60	8	43	30	10	34.5	20	85



**J0150**



**Material**

All parts from stainless steel, AISI 304, polished.

Single key supplied.

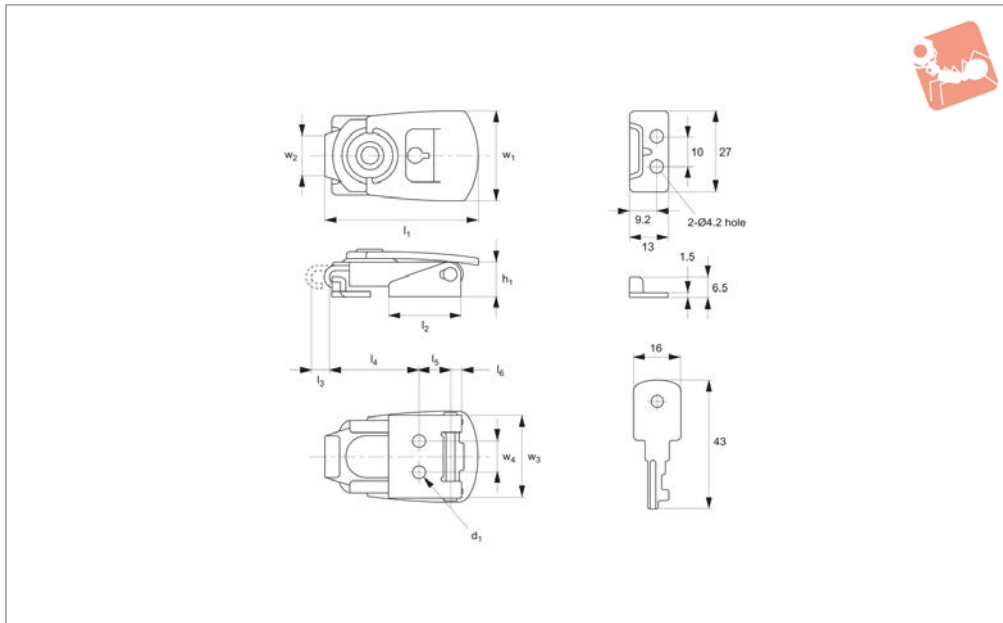
Order No.	$l_1$	$h_1$	$w_1$	$d_1$	$h_2$	$l_2$	$l_3$ stroke	$l_4$	$l_5$	$l_6$	$l_7$	$w_2$	$w_3$	$w_4$	Weight g
J0150.AC0030	65	13	52	4.2	48	34.5	10	34	11	14.4	5	38	20	16	105



# Mini Draw Latches

stainless steel

## Draw Latches



### J0170

DRAW LATCHES

#### Material

All parts from stainless steel, AISI 304, plain.

Single key supplied.

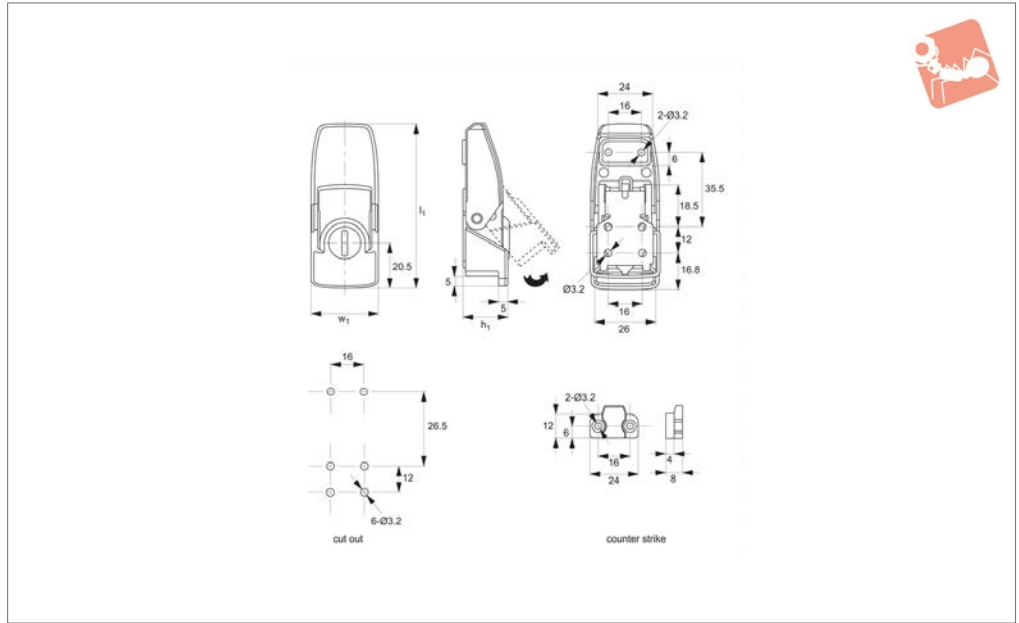
#### Technical Notes

Compact size, high strength.

Order No.	$l_1$	$h_1$	$w_1$	$\varnothing d_1$	$l_2$	$l_3$	$l_4$	$l_5$	$l_6$	$w_2$	$w_3$	$w_4$	Weight g
J0170.AC0030	51	11.5	30	4.2	24	6	31~(33)	10.5	3.5	14	27.3	10	50



## J0200



### Material

Housing and Strike: die cast zinc.  
Bracket: stainless steel.

**Supplied with:** Keys: two per lock.

**Not supplied:** Fixing screws.

Order No.	Type	Finish	$l_1$	$h_1$	$w_1$
J0200.AW0010	With Lock	Chrome Plated	76	21	32
J0200.AW0020	With Lock	Black Coated	76	21	32
J0200.AW0310	Blank - No Lock	Chrome Plated	76	21	32
J0200.AW0320	Blank - No Lock	Black Coated	76	21	32

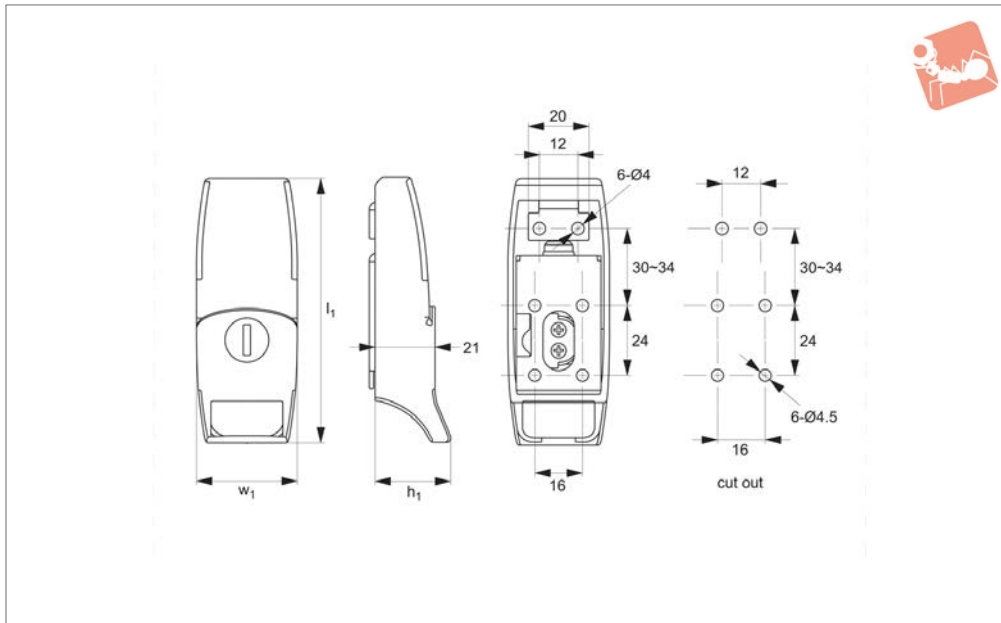




# Draw Latches - with Lock

zinc

## Draw Latches



### J0220

DRAW LATCHES

#### Material

Housing and Strike: die cast zinc, black powder coated.

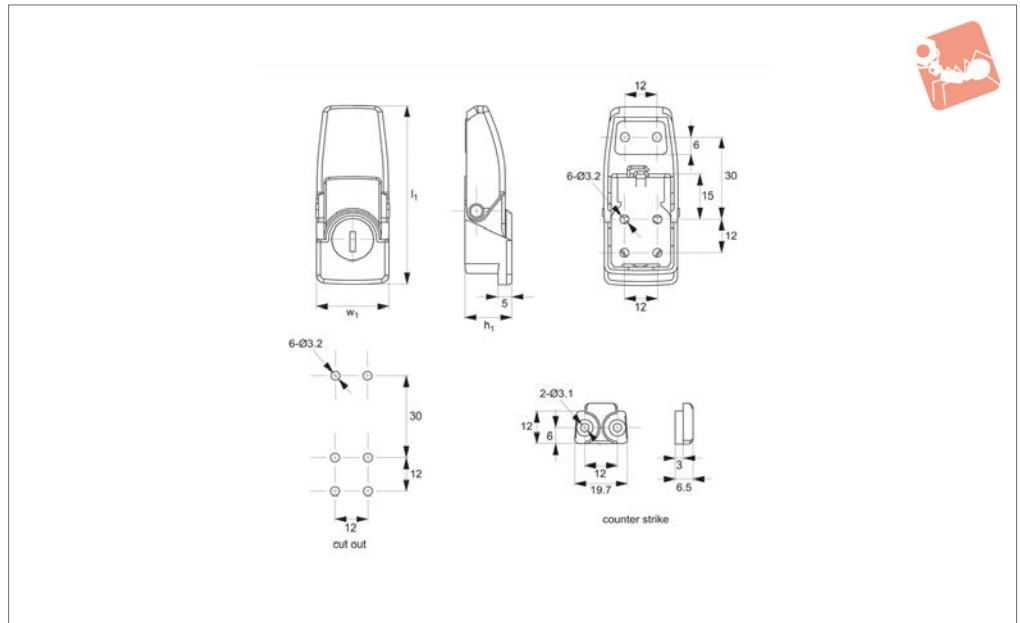
Bracket and strike: stainless steel.

**Supplied with:** Keys: two per lock.

Order No.	Finish	$l_1$	$h_1$	$w_1$
J0220.AW0010	Black Coated	92	25	36



## J0240



### Material

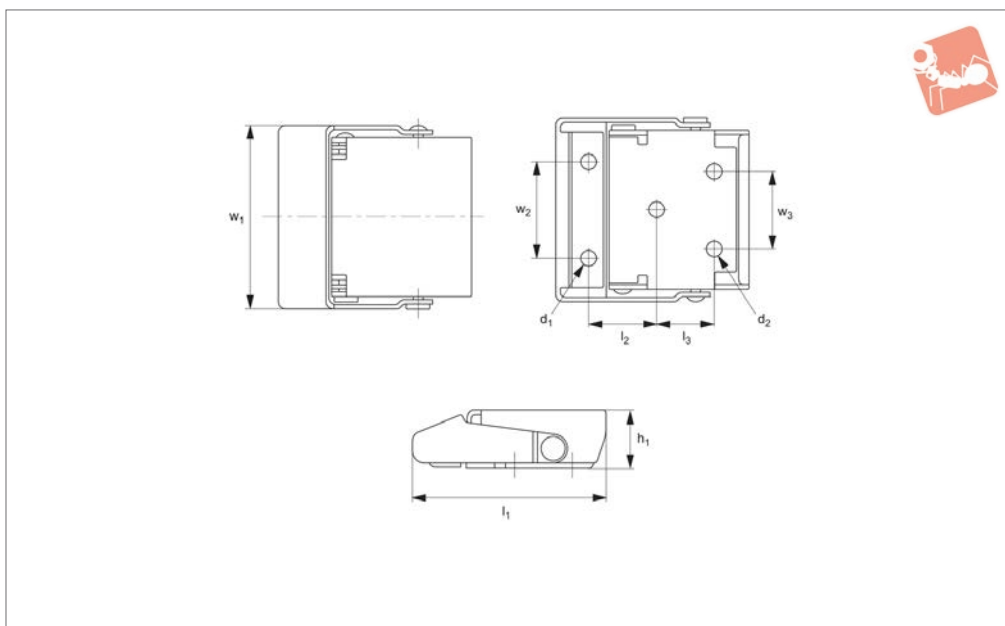
Housing and Strike: die cast zinc, black powder coated.

Bracket: stainless steel.

**Supplied with:** Keys: two per lock.

**Not supplied:** Fixing screws.

Order No.	Type	$l_1$	Material	$h_2$	$w_2$
J0240.AW0010	With Lock	64.5	Chrome Plated	16.5	26.5
J0240.AW0020	With Lock	64.5	Black Coated	16.5	26.5
J0240.AW0310	Blank - No Lock	64.5	Chrome Plated	16.5	26.5
J0240.AW0320	Blank - No Lock	64.5	Black Coated	16.5	26.5



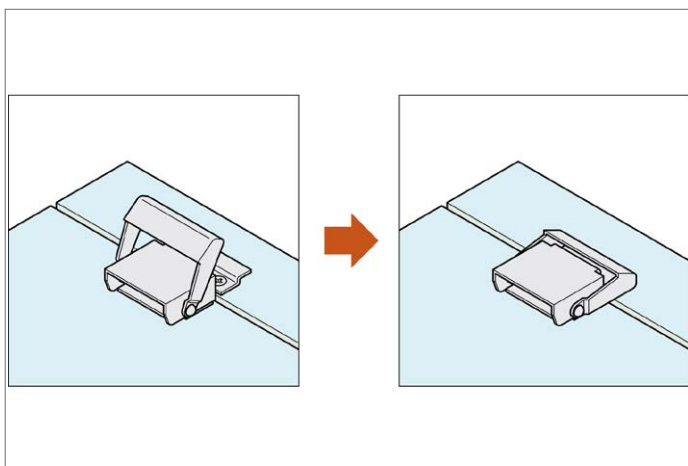
## J0320

DRAW LATCHES

### Material

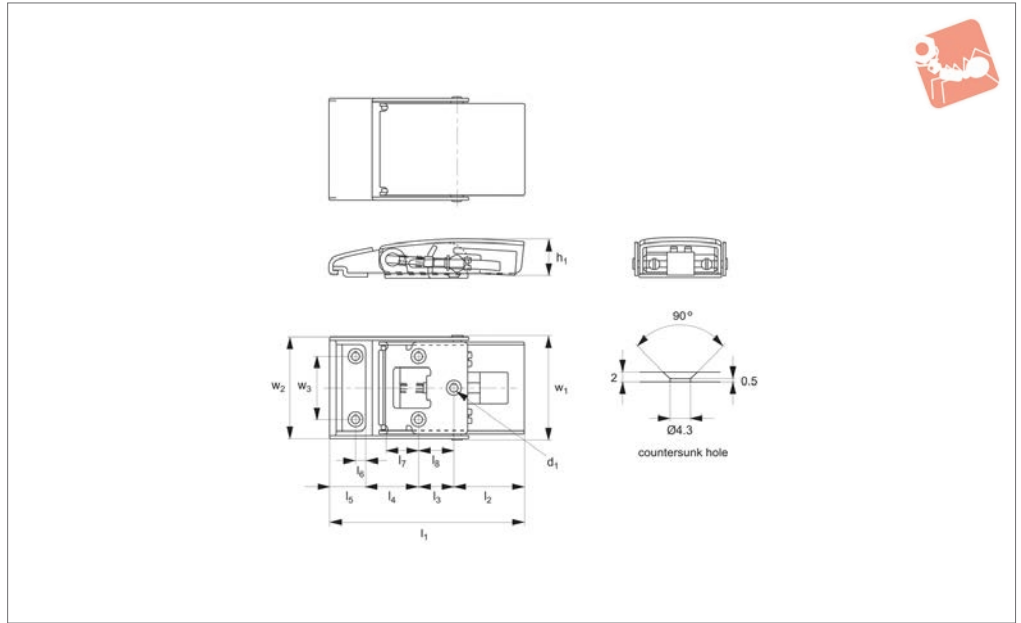
All parts from stainless steel, AISI 304, satin finish. Fixing screws not included.

Order No.	$l_1$	$h_1$	$w_1$	$\varnothing d_1$	$\varnothing d_2$	$l_2$	$l_3$	$w_2$	$w_3$	Weight g
J0320.AC0030	40	12	33	3.2	Ø3,2	14	12	20	16	30





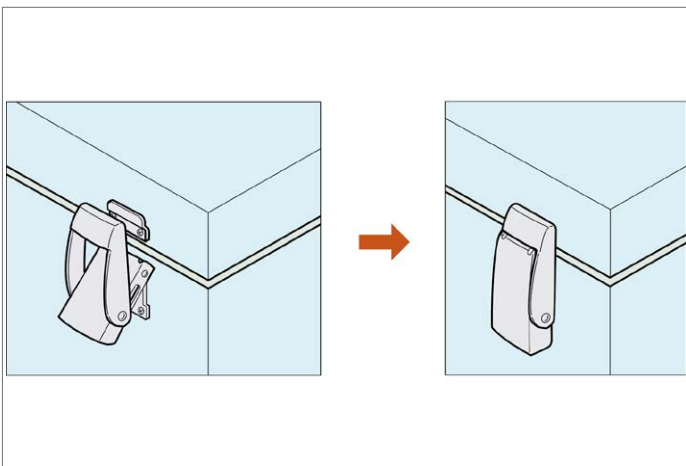
## J0340

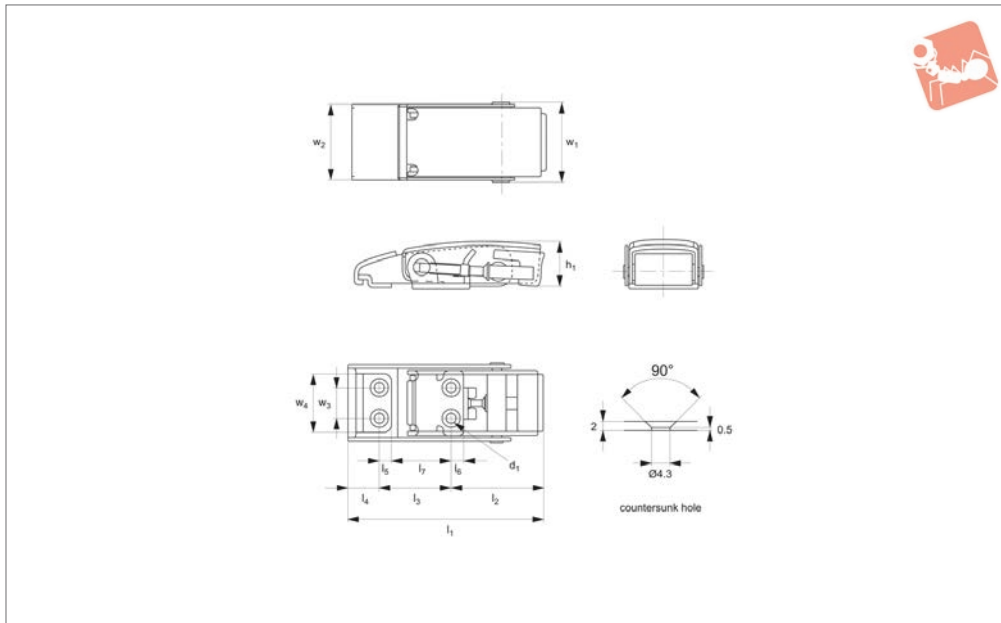


### Material

All parts from stainless steel, AISI 304, satin finish. Fixing screws not included.

Order No.	$l_1$	Load capacity kg	$d_1$	$h_1$	$w_1$	$l_2$	$l_3$ $\pm 0.2$	$l_4$ $\pm 0.5$	$l_5$	$l_6$	$l_7$	$l_8$	$w_2$	$w_3$ $\pm 0.2$	Weight g
J0340.AC0030	100	80	4.3	19.5	52.6	36.5	18	32	16.5	5	17	25	52	32	190





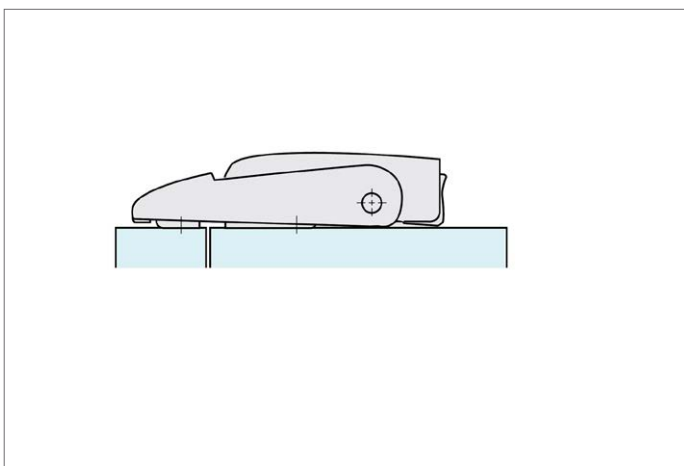
J0360

DRAW LATCHES

**Material**

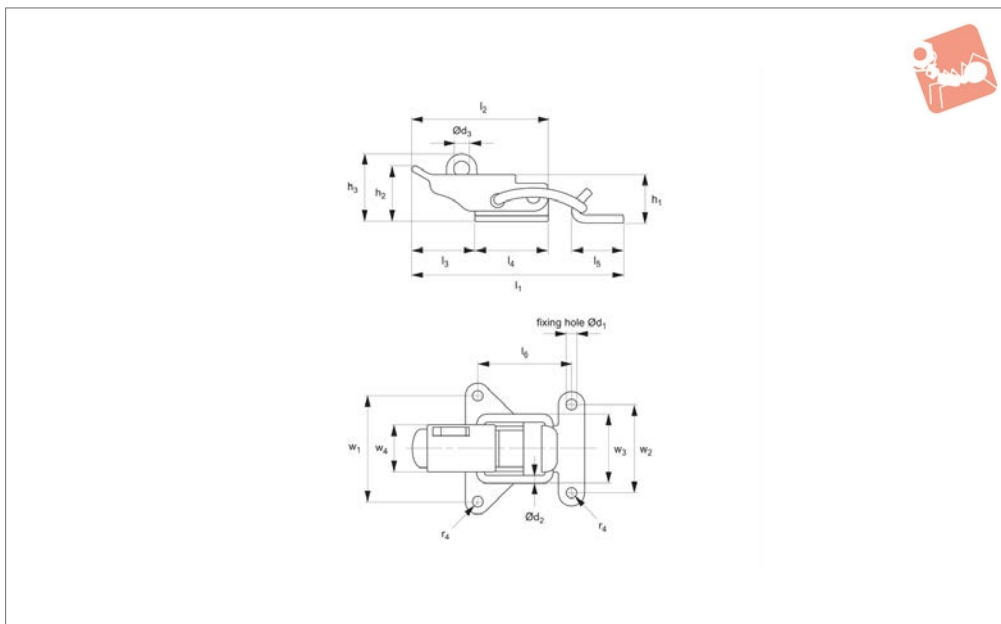
All parts from stainless steel, AISI 304, satin finish. Fixing screws not included.

Order No.	$l_1$	Load capacity kg	$h_1$	$w_1$	$\varnothing d_1$	$l_2$	$l_3$ 0 -0.5	$l_4$	$l_5$	$l_6$	$l_7$	$w_2$	$w_3$ $\pm 0.2$	$w_4$	Weight g
J0360.AC0030	82	80	19.5	33.6	4.3	38.5	30	13.5	5	5	52	32	13	25	111





## J0500



### Material

Steel, Fe P02 + P12, UNI5866, nickel or zinc plated.

### Technical Notes

Supplied with counter strike.

Order No.	Finish	$l_1$	$h_1$	$w_1$	$\varnothing d_1$	$\varnothing d_2$	$\varnothing d_3$	$h_2$ $\pm 0.5$	$h_3$	Weight g
J0500.AC0001	Nickel Plated Steel	52	11	33	3.5	2	4	12	17.5	20
J0500.AC0004	Zinc Plated Steel	52	11	33	3.5	2	4	12	17.5	20

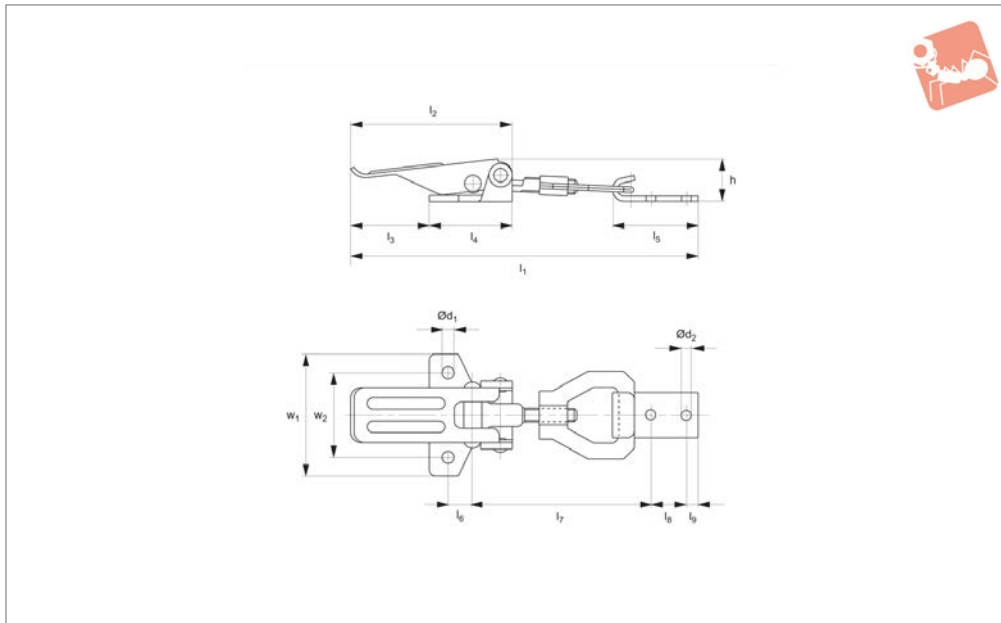
Order No.	$l_2$	$l_3$	$l_4$	$l_5$	$l_6$ $\pm 0.3$	$w_2$	$w_3$	$w_4$	Load N max.	Tension N max.
J0500.AC0001	34	16	18	13	28.5	28	21	15	550	1500
J0500.AC0004	34	16	18	13	28.5	28	21	15	550	1500



# Toggle Latches

adjustable, stainless steel

# Draw Latches



## J0520

DRAW LATCHES

### Material

Steel, Fe P02 + P12, UNI5866, zinc plated.  
Or stainless steel AISI 304, UNI x5crNi.

### Technical Notes

Supplied with counter strike.  
Draw length adjustable through turns of

threaded draw rod, giving 12mm length of adjustment.

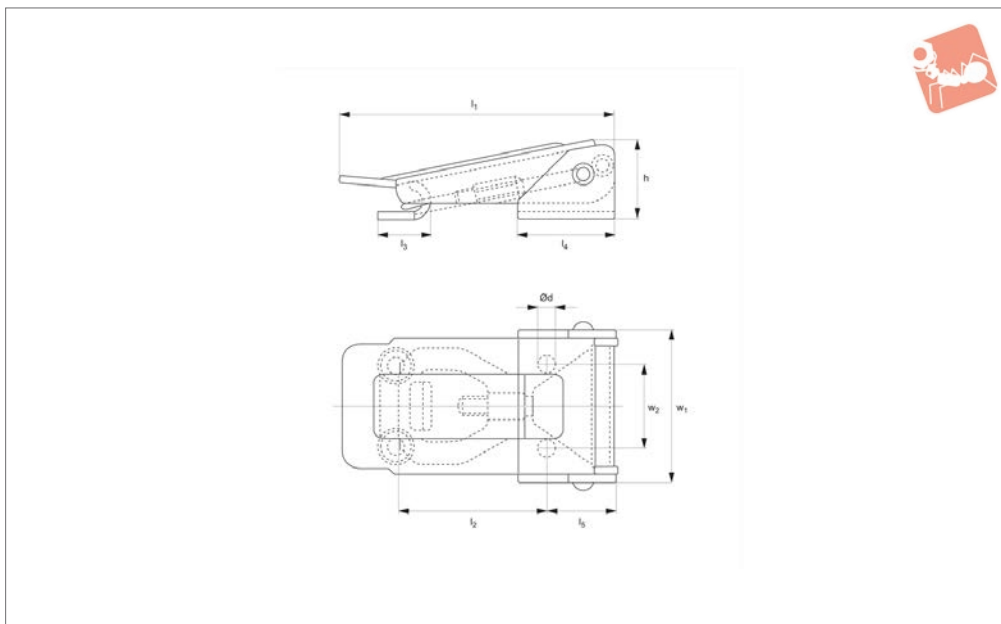
Order No.	Finish	$l_1$	$h$	$w_1$	$\varnothing d_1$	$\varnothing d_2$	$l_2$	$l_3$	$l_4$	Weight g
J0520.AC0004	Zinc Plated Steel	138 to 150	18	52	5.2	4.1	67.5	33	35	110
J0520.AC0030	Stainless Steel	138 to 150	18	52	5.2	4.1	67.5	33	35	110

Order No.	$l_5$	$l_6$	$l_7$	$l_8$	$l_9$	Load N max.	Tension N max.	$w_2$	$w_3$
J0520.AC0004	36	10	68 to 80	15	5	1100	2500	36	19
J0520.AC0030	36	10	68 to 80	15	5	1100	2500	36	19



## J0560



### Material

Steel, Fe P02 + P12, UNI5866, zinc plated.  
Or stainless steel AISI 304, UNI x5crNi.

### Technical Notes

Supplied with counter strike.  
Draw length adjustable through turns of

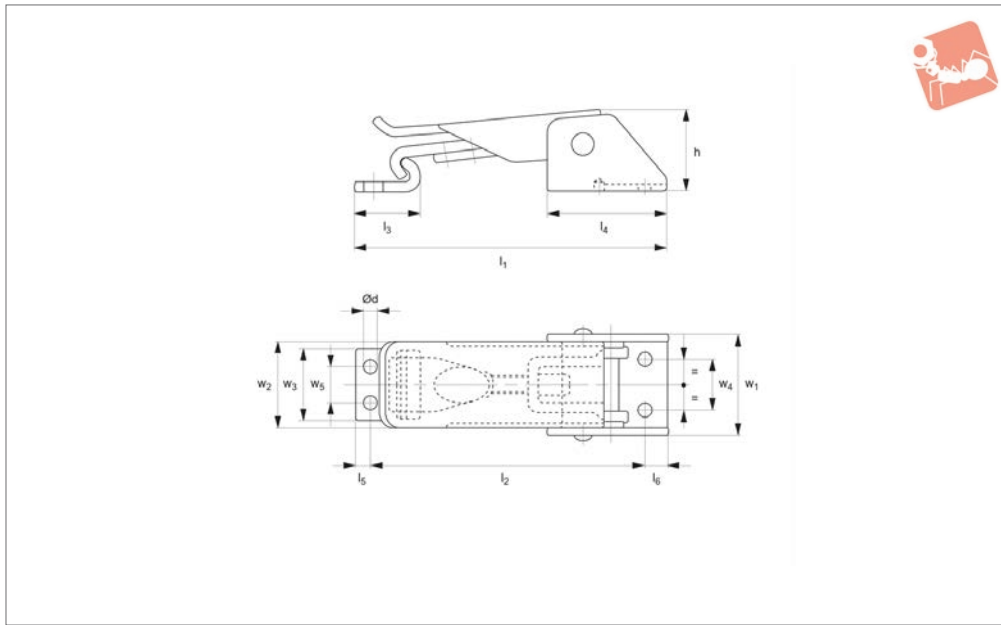
threaded draw rod, giving 12mm length of adjustment.

Order No.	Finish	$l_1$	$h$	$w_1$	$\varnothing d$	$l_2$	Weight g
J0560.AC0004	Zinc Plated Steel	88	26	48.5	5.5	48 to 60	160
J0560.AC0030	Stainless Steel	88	26	48.5	5.5	48 to 60	160

Order No.	$l_3$	$l_4$	$l_5$	Load N max.	Tension N max.	$w_2$
J0560.AC0004	17	31	22	1500	3000	26
J0560.AC0030	17	31	22	1500	3000	26





**J0580**

DRAW LATCHES

**Material**

Steel, Fe P02 + P12, UNI5866, nickel plated.

**Technical Notes**

Supplied with counter strike.  
Draw length adjustable through turns of

threaded draw rod, giving 12mm length of adjustment.

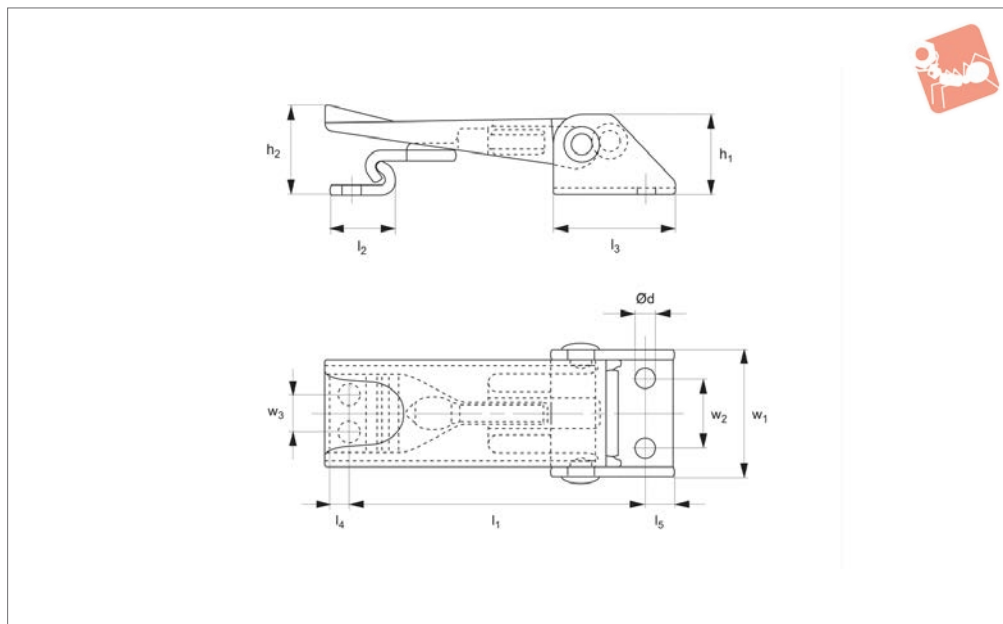
Order No.	Finish	$l_1$	$h$	$w_1$	$\varnothing d$	$l_2$	$l_3$	$l_4$	Weight g
J0580.AC0001	Nickel plated steel	82 to 94	22	27	3.6	72 to 84	17.5	33	100
Order No.	$l_5$	$l_6$	Load N max.	Tension N max.	$w_2$	$w_3$	$w_4$	$w_5$	
J0580.AC0001	4	6	1000	2000	24	19	14	10	



DRAW LATCHES



## J0600



### Material

Steel, Fe P02 + P12, UNI5866, zinc plated.  
Or stainless steel AISI 304, UNI x5crNi.

### Technical Notes

Supplied with counter strike.  
Draw length adjustable through turns of

threaded draw rod, giving 10mm length of adjustment.

Order No.	Finish	$l_1$	$h_1$	$w_1$	$\varnothing d$	$h_2$	Weight g
J0600.AC0008	Zinc Plated	60 to 70	16	25.5	4.2	18	55
J0600.AC0030	Stainless Steel	60 to 70	16	25.5	4.2	18	55

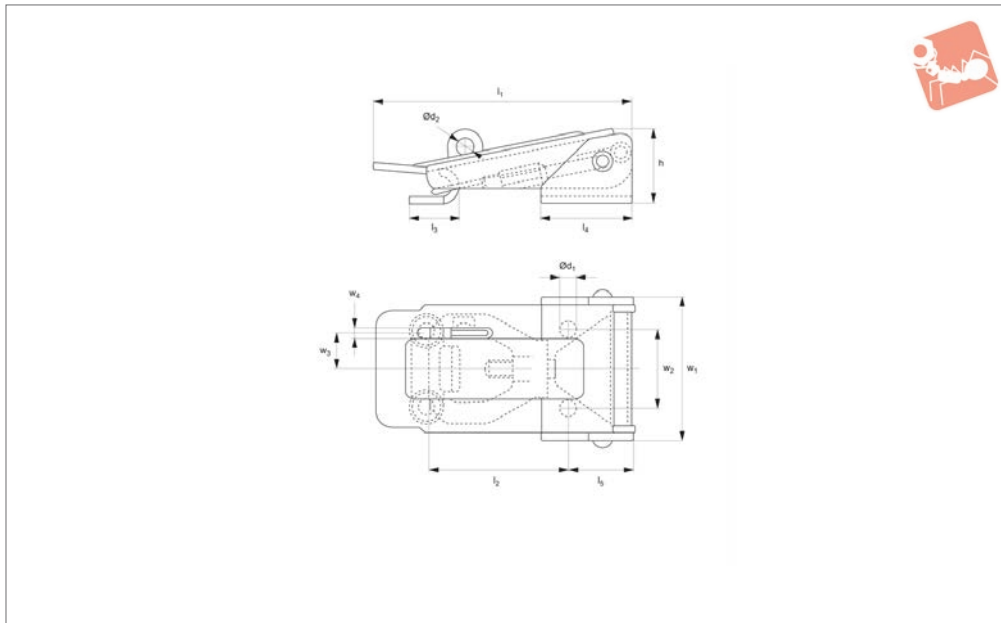
Order No.	$l_2$	$l_3$	$l_4$	$l_5$	Load N max.	Tension N max.	$w_2$	$w_3$
J0600.AC0008	14	25	4	6	1000	1400	14	8
J0600.AC0030	14	25	4	6	1000	1400	14	8



# Toggle Latches

adjustable with padlock hasp.

# Draw Latches



**J0562**

DRAW LATCHES

**Material**

Steel, Fe P02 + P12, UNI5866, zinc plated.

**Technical Notes**

Supplied with counter strike.

Draw length adjustable through turns of threaded draw rod, giving 12mm length of adjustment.  
Use padlock of 6mm dia. or less.

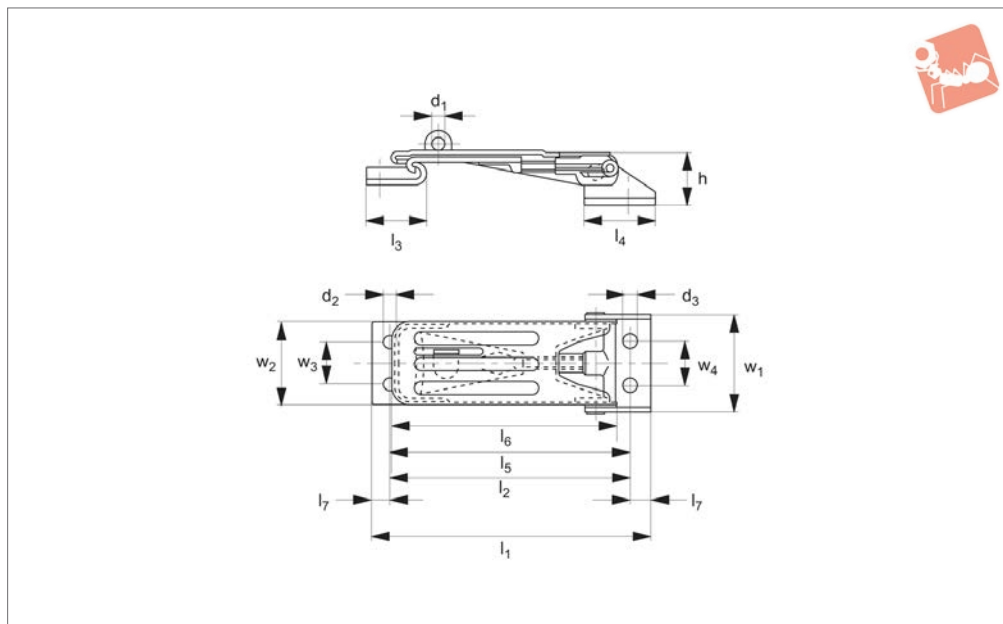
Order No.	Finish	$l_1$	$h$	$w_1$	$\varnothing d_1$	$\varnothing d_2$	$l_2$	Weight g
J0562.AC0004	Zinc Plated Steel	88	26	48.5	5.5	6	48 to 60	170
Order No.	$l_3$	$l_4$	$l_5$	$w_2$	$w_3$	$w_4$	Load N max.	Tension N max.
J0562.AC0004	17	31	22	26	12	1.5	1500	3000



DRAW LATCHES



## J0590



### Material

Steel, Fe P02 + P12, UNI5866, zinc plated.

### Technical Notes

Supplied with counter strike.

Draw length adjustable through turns of threaded draw rod, giving 12mm length of adjustment.

Use padlock of 6mm dia. or less.

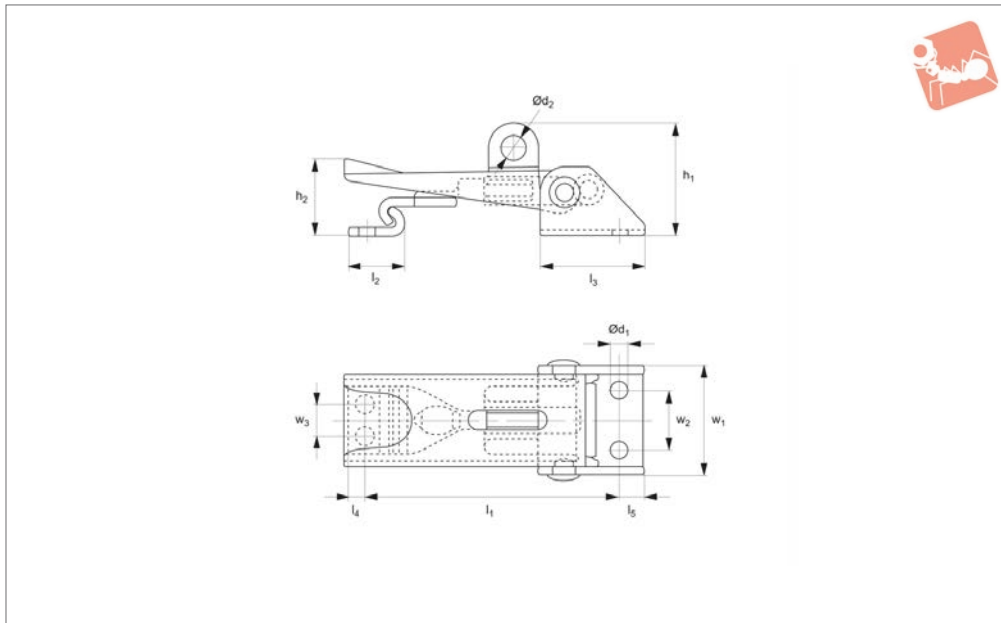
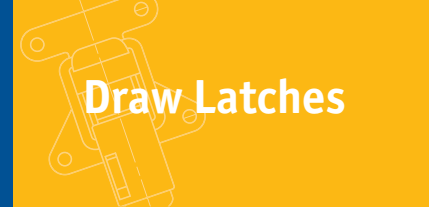
Order No.	Finish	$l_1$	$h$	$w_1$	$d_1$	$\varnothing d_2$	$\varnothing d_3$	$l_2$	$l_3$	Weight g
J0590.AC0008	Zinc Plated	135 to 150	23	45.5	6	6.6	7.1	115 to 130	30.7	190
Order No.	$l_4$	$l_5$	$l_6$	$l_7$	$w_2$	$w_3$	$w_4$	Load N max.	Tension N max.	
J0590.AC0008	35	131.5	114	10	40	22	22	2000	4000	



# Toggle Latches

adjustable with padlock shackle, **stainless steel**

# Draw Latches



## J0602

DRAW LATCHES

### Material

Steel, Fe P02 + P12, UNI5866, zinc plated.  
Or stainless steel AISI 304, UNI x5crNi.

Draw length adjustable through turns of threaded draw rod, giving 10mm length of adjustment.

### Technical Notes

Supplied with counter strike.

Use padlock of 6mm dia. or less.

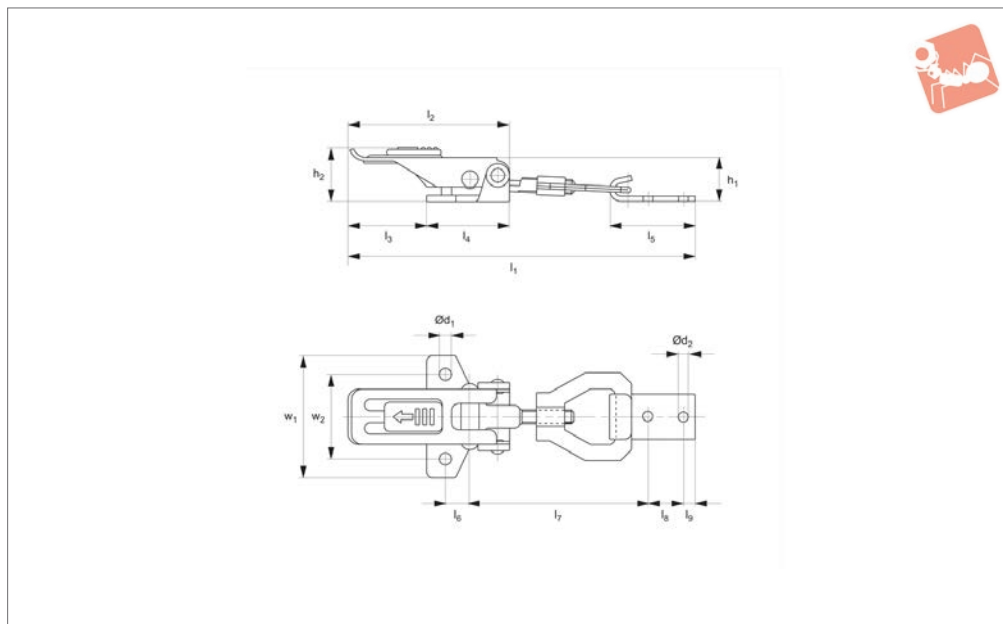
Order No.	Finish	$l_1$	$h_1$	$w_1$	$\varnothing d_1$	$\varnothing d_2$	$h_2$	Weight g
J0602.AC0008	Zinc Plated	60 to 70	27	25.5	4.2	6	18	55
J0602.AC0030	Stainless Steel	60 to 70	27	25.5	4.2	6	18	55

Order No.	$l_2$	$l_3$	$l_4$	$l_5$	$w_2$	$w_3$	Load N max.	Tension N max.
J0602.AC0008	14	25	4	6	14	8	1000	1400
J0602.AC0030	14	25	4	6	14	8	1000	1400



## J0540



### Material

Steel, Fe P02 + P12, UNI5866, zinc plated.  
Or stainless steel AISI 304, UNI x5crNi.

### Technical Notes

Supplied with counter strike.  
Draw length adjustable through turns of

threaded draw rod, giving 12mm length of adjustment.

Order No.	Finish	$l_1$	$w_1$	$h_1$	$\varnothing d_1$	$\varnothing d_2$	$h_2$	$l_2$	$l_3$	Weight g
J0540.AC0001	Nickel plated steel	138 to 150	52	18	5.2	4.1	22	67.5	33	105
J0540.AC0030	Stainless steel	138 to 150	52	18	5.2	4.1	22	67.5	33	105

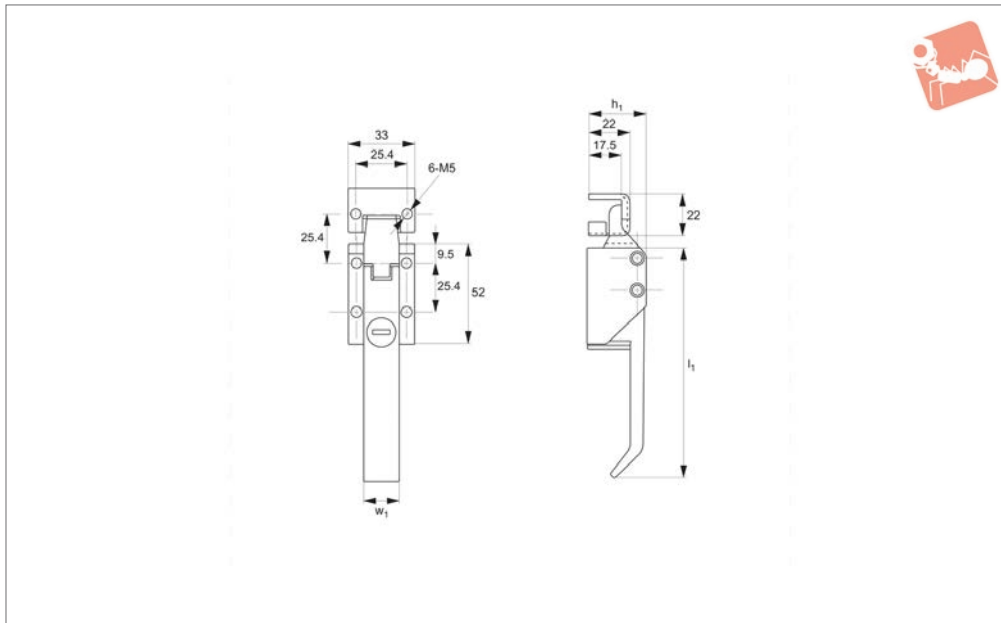
Order No.	$l_4$	$l_5$	$l_6$	$l_7$	$l_8$	$l_9$	$w_2$	$w_3$	Load N max.	Tension N max.
J0540.AC0001	35	36	10	68 to 80	15	5	36	19	1100	2500
J0540.AC0030	35	36	10	68 to 80	15	5	36	19	1100	2500



# Over Centre Lever Latch - with Lock

standard cylinder lock - zinc

## Draw Latches



**J0660**

DRAW LATCHES

### Material

Housing, Handle and Strike: die cast zinc, black powder coated.

Pins: stainless steel.

**Supplied with:** Keys and counter strike.

**Not supplied:** Fixing screws.

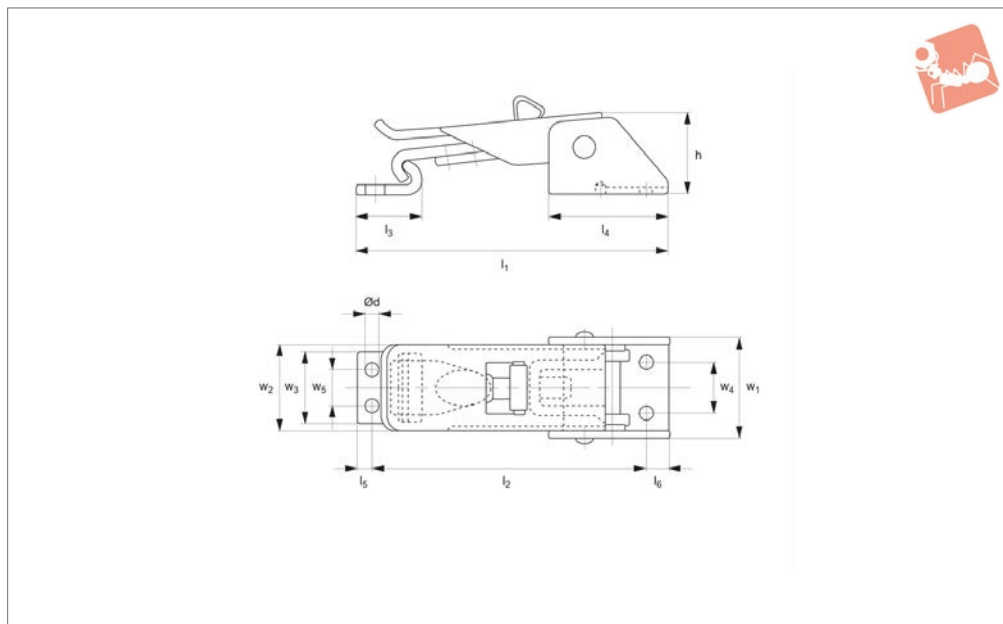
Order No.	Type	$l_1$	w	$h_1$
J0660.AW0010	With Lock	127	18	31.5
J0660.AW0020	Blank - W/o Lock	127	18	31.5



DRAW LATCHES



## J0582



### Material

Steel, Fe P02 + P12, UNI5866, zinc plated.

Draw length adjustable through turns of threaded draw rod, giving 12mm length of adjustment.

### Technical Notes

Supplied with counter strike.

Order No.	Finish	$l_1$	$h$	$w_1$	$\varnothing d$	$l_2$	$l_3$	$l_4$	Weight g
J0582.AC0004	Zinc Plated Steel	82-94	22	27	3.6	72 to 84	17.5	33	90
Order No.	$l_5$	$l_6$	$w_2$	$w_3$	$w_4$	$w_5$	Load N max.	Tension N max.	
J0582.AC0004	4	6	24	19	14	10	1000	2000	

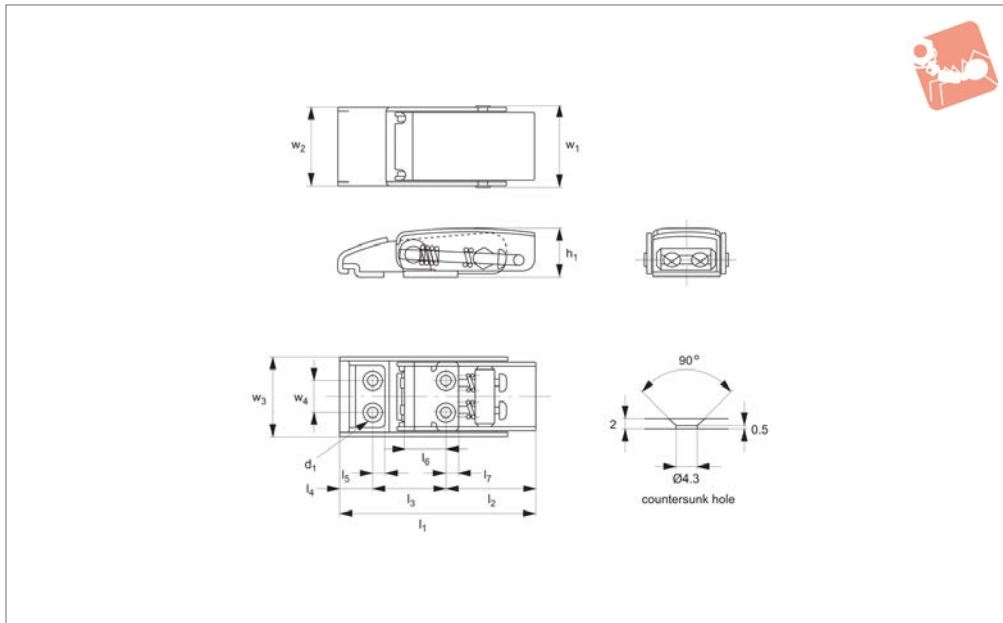




# Draw Latches - Spring Loaded

stainless steel

## Draw Latches



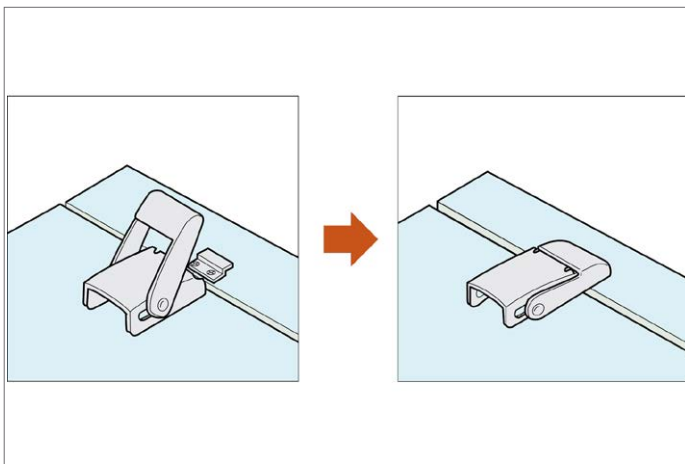
**J0300**

DRAW LATCHES

### Material

All parts from stainless steel, AISI 304, satin finish. Fixing screws not included.

Order No.	$l_1$	$h_1$	$w_1$	$\varnothing d_1$	Load capacity kg	$l_2$	$l_3$	$l_4$	$l_5$	$l_6$	$l_7$	$w_2$	$w_3$	$w_4$ $\pm 0.2$	Weight g
<b>J0300.AC0030</b>	80	19.5	33	4.3	80	36.5	30	13.5	5	17	5	32	25	13	110

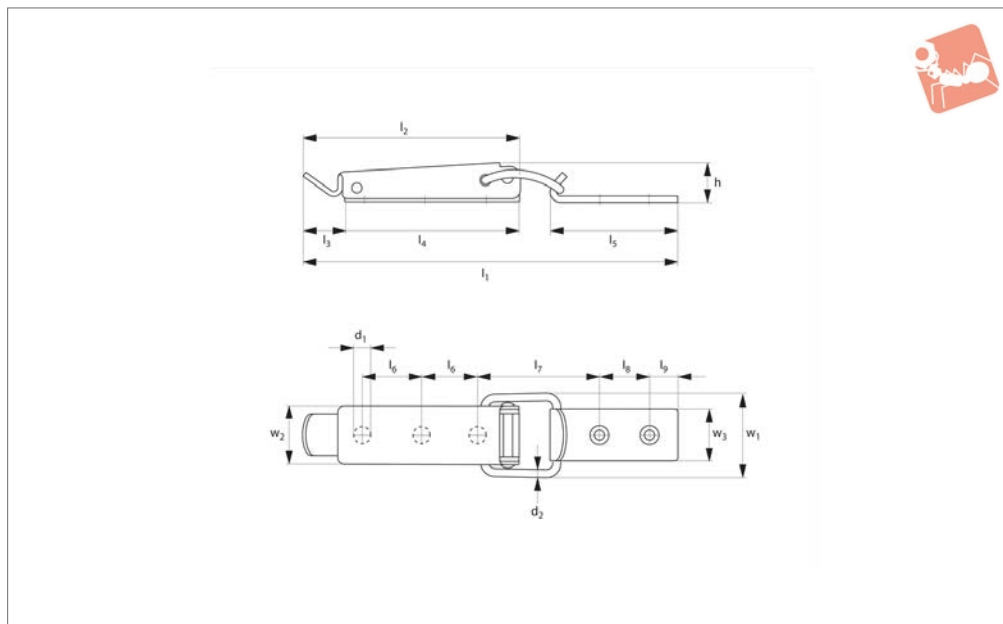




DRAW LATCHES



## J0400



### Material

Steel, Fe P02 + P12, UNI5866, zinc plated.  
Or stainless steel AISI 304, UNI x5crNi.

### Technical Notes

Supplied with counter strike.

Order No.	Finish	$l_1$	$w_1$ $\pm 0.5$	$h$ $\pm 0.5$	$\varnothing d_1$	$\varnothing d_2$	$l_2$	$l_3$	$l_4$ $\pm 0.5$	Weight g
J0400.AC0004	Zinc Plated Steel	193.5	43	19	5.3	4	112	21.5	90	190
J0400.AC0030	Stainless Steel	193.5	43	19	5.3	4	112	21.5	90	190

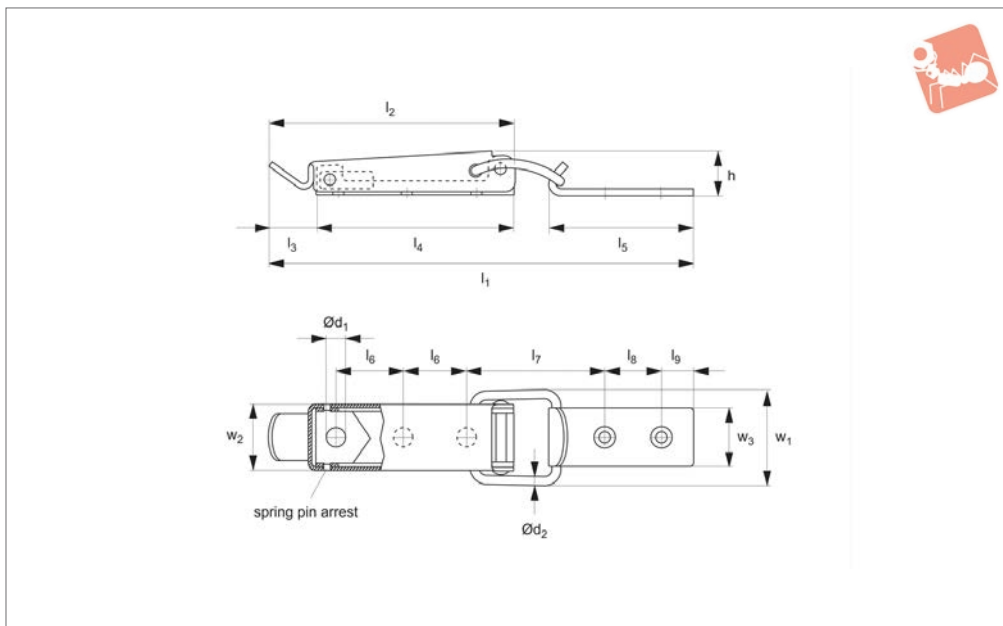
Order No.	$l_5$	$l_6$	$l_7$ $\pm 0.5$	$l_8$	$l_9$	$w_2$ $\pm 0.5$	$w_3$	Load N max.	Tension N max.
J0400.AC0004	66	31.5	58.5	25.5	15	30	27	2000	4000
J0400.AC0030	66	31.5	58.5	25.5	15	30	27	2000	4000



# Toggle Latches

with click arrest, **stainless steel**

# Draw Latches



## J0426

DRAW LATCHES

### Material

Steel, Fe P02 + P12, UNI5866, zinc plated.  
Or stainless steel AISI 304, UNI x5crNi.

### Technical Notes

Supplied with counter strike. Features a spring pin locking system, pin must be

depressed for the toggle latch to be released.

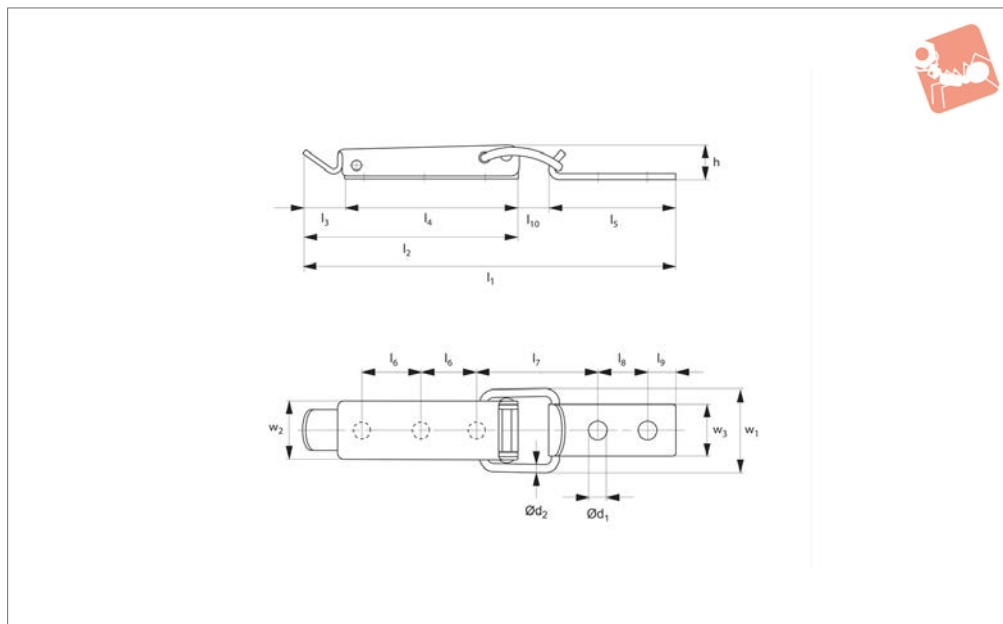
Order No.	Finish	$l_1$	$w_1$ $\pm 0.5$	$h$ $\pm 0.5$	$\varnothing d_1$	$\varnothing d_2$	$l_2$	$l_3$	$l_4$ $\pm 0.5$	Weight g
J0426.AC0004	Zinc Plated Steel	193.5	43	19	5.3	4	112	21.5	90	190
J0426.AC0030	Stainless Steel	193.5	43	19	5.3	4	112	21.5	90	190

Order No.	$l_5$	$l_6$	$l_7$ $\pm 0.5$	$l_8$	$l_9$	$w_2$ $\pm 0.5$	$w_3$	Load N max.	Tension N max.
J0426.AC0004	66	31.5	58.5	25.5	15	30	27	2000	4000
J0426.AC0030	66	31.5	58.5	25.5	15	30	27	2000	4000



## J0428



### Material

Steel, Fe P02 + P12, UNI5866, zinc plated.  
Or stainless steel AISI 304, UNI x5crNi.

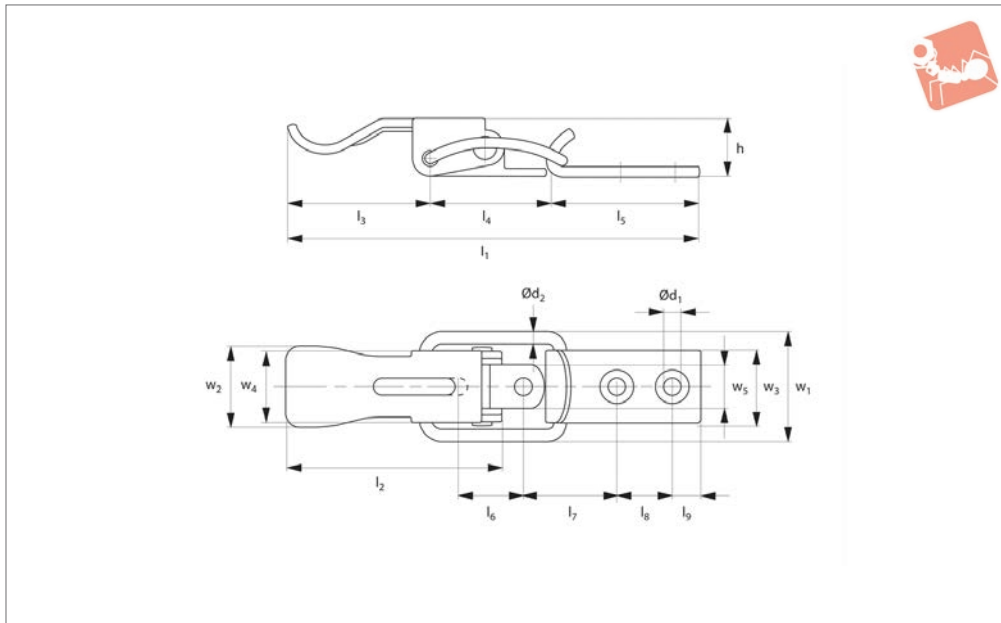
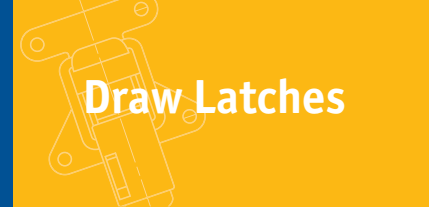
### Technical Notes

Supplied with counter strike.

Order No.	Finish	$l_1$	$w_1$	$h$	$\varnothing d_1$	$\varnothing d_2$	$l_2$	$l_{10}$	$l_3$	$l_4$	Weight g
J0428.AC0004	Zinc Plated Steel	140.5	34	12.5	4.1	3	86	11.5	16	70	75
J0428.AC0030	Stainless Steel	140.5	34	12.5	4.1	3	86	11.5	16	70	75

Order No.	$l_5$	$l_6$	$l_7$ $\pm 0.5$	$l_8$	$l_9$	$w_2$	$w_3$	Load N max.	Tension N max.
J0428.AC0004	43	22.5	38	20	8	23	19	1500	3000
J0428.AC0030	43	22.5	38	20	8	23	19	1500	3000



**J0434**

DRAW LATCHES

**Material**

Steel, Fe P02 + P12, UNI5866, zinc plated.  
Or stainless steel AISI 304, UNI x5crNi.

**Technical Notes**

Supplied with counter strike.

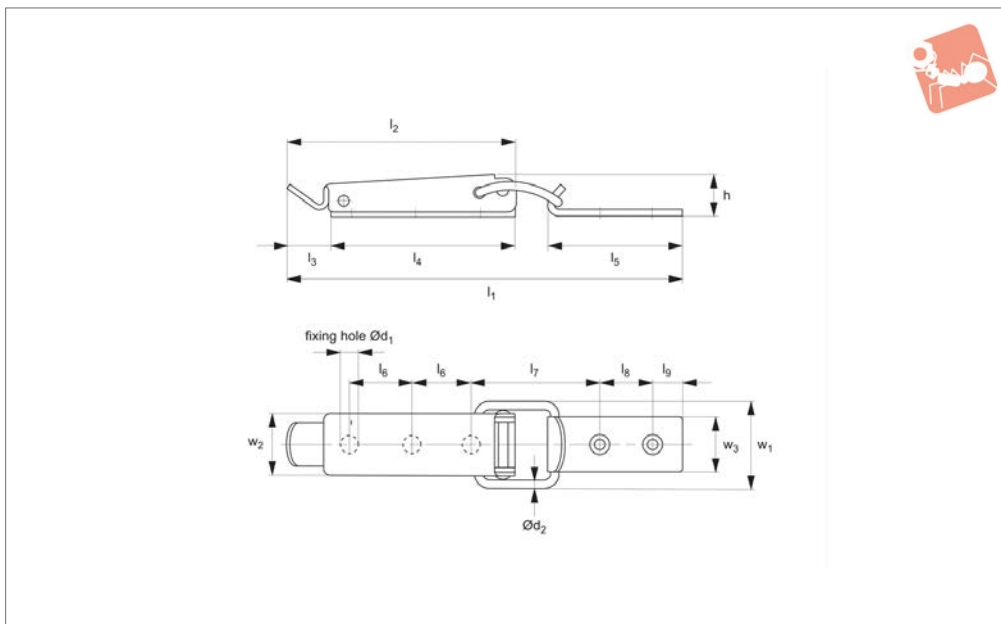
Order No.	Finish	$l_1$	$w_1$	$h$	$\varnothing d_1$	$\varnothing d_2$	$l_2$	$l_3$	$l_4$	$l_5$	Weight g
J0434.AC0004	Zinc plated steel	76.5	21	10.7	3.2	2	39.5	25	22	28	15
J0434.AC0030	Stainless steel	76.5	21	10.7	3.2	2	39.5	25	22	28	15

Order No.	$l_6$	$l_7$	$l_8$	$l_9$	$w_2$	$w_3$	$w_4$	$w_5$	Load N max.	Tension N max.
J0434.AC0004	15	18	10	5	15	13	12.9	8	400	1000
J0434.AC0030	15	18	10	5	15	13	12.9	8	400	1000



## J0440



### Material

Steel, Fe P02 + P12, UNI5866, zinc plated.  
Or stainless steel AISI 304, UNI x5crNi.

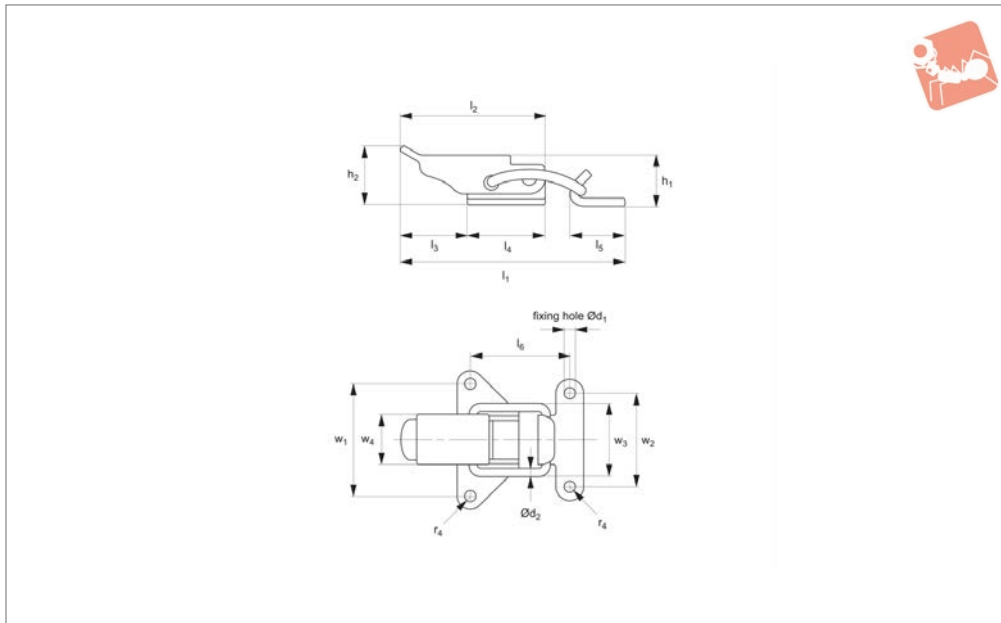
### Technical Notes

Supplied with counter strike.

Order No.	Finish	$l_1$	$w_1$	$h$	$\varnothing d_1$	$d_2$	$l_2$	$l_3$	$l_4$	Weight g
J0440.AC0004	Zinc Plated Steel	102	23	11	3.2	2	60	16	44	30
J0440.AC0030	Stainless Steel	102	23	11	3.2	2	60	16	44	30

Order No.	$l_5$	$l_6$	$l_7$ $\pm 0.5$	$l_8$	$l_9$	$w_2$	$w_3$	Load N max.	Tension N max.
J0440.AC0004	30	12.5	34.5	12	5	16.4	13	550	1300
J0440.AC0030	30	12.5	34.5	12	5	16.4	13	350	1000



**J0480**

DRAW LATCHES

**Material**

Steel, Fe P02 + P12, UNI5866, zinc plated.  
Or stainless steel AISI 304, UNI x5crNi.

**Technical Notes**

Supplied with counter strike.

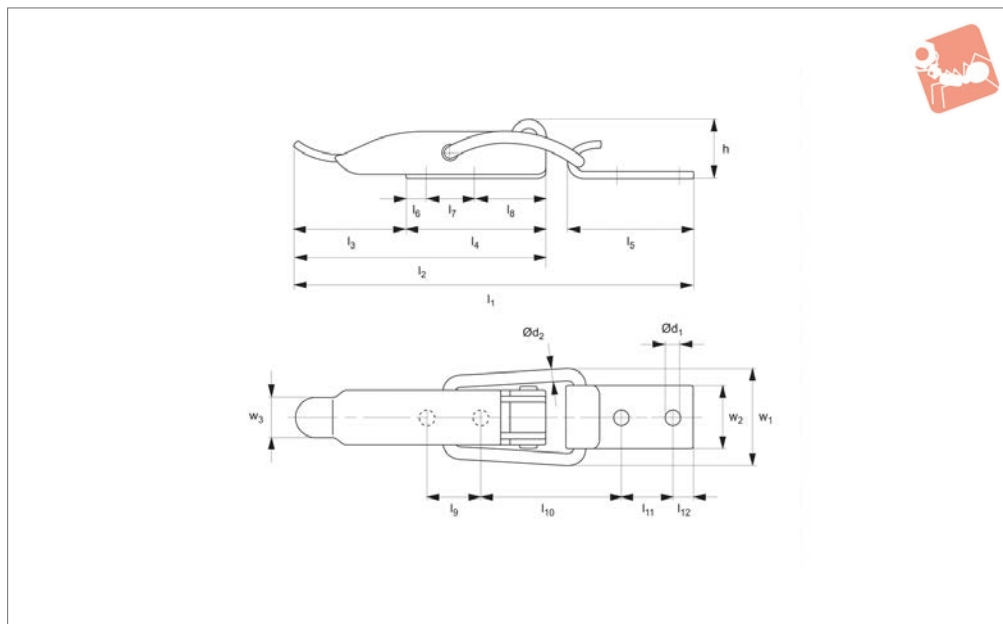
Order No.	Finish	$l_1$	$h_1$	$w_1$	$\varnothing d_1$	$\varnothing d_2$	$l_2$	$h_2$ $\pm 0.5$	Weight g
J0480.AC0004	Zinc Plated Steel	52	11	33	3.5	2	34	12	20
J0480.AC0030	Stainless Steel	52	11	33	3.5	2	34	12	20

Order No.	$l_3$	$l_4$	$l_5$	$l_6$ $\pm 0.5$	$w_2$	$w_3$ -1 0	$w_4$	Load N max.	Tension N max.
J0480.AC0004	16	18	13	28.5	28	23	15	550	1500
J0480.AC0030	16	18	13	28.5	28	23	15	550	1500



## J0550



### Material

Steel, Fe P02 + P12, UNI5866, zinc plated.  
Or stainless steel AISI 304, UNI x5crNi.

### Technical Notes

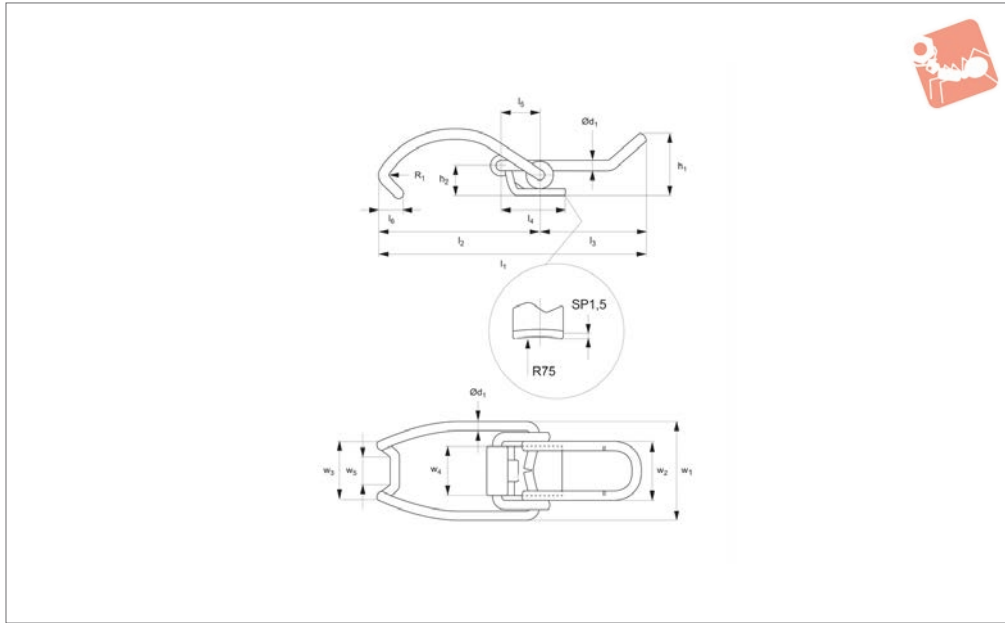
Supplied with counter strike.

Order No.	Finish	$l_1$	$w_1$	$h$	$\varnothing d_1$	$\varnothing d_2$	$l_2$	$l_{10} +0.5$	$l_{11}$	$l_{12}$	Weight g
J0550.AC0004	Zinc Plated Steel	114	28	17	4.1	3	72	40.5	15	5	50
J0550.AC0030	Stainless Steel	114	28	17	4.1	3	72	40.5	15	5	50

Order No.	$l_3$	$l_4$	$l_5$	$l_6$	$l_7$	$l_8$	$l_9 \pm 0.5$	$w_2$	$w_3$	Load N max.	Tension N max.
J0550.AC0004	31	41	36	7	15.5	18.5	15.5	19	12	1000	2500
J0550.AC0030	31	41	36	7	15.5	18.5	15.5	19	12	1000	2500





J0554

DRAW LATCHES

**Material**

Steel, Fe P02 + P12, UNI5866, zinc plated.

**Technical Notes**

Counter strike not supplied.

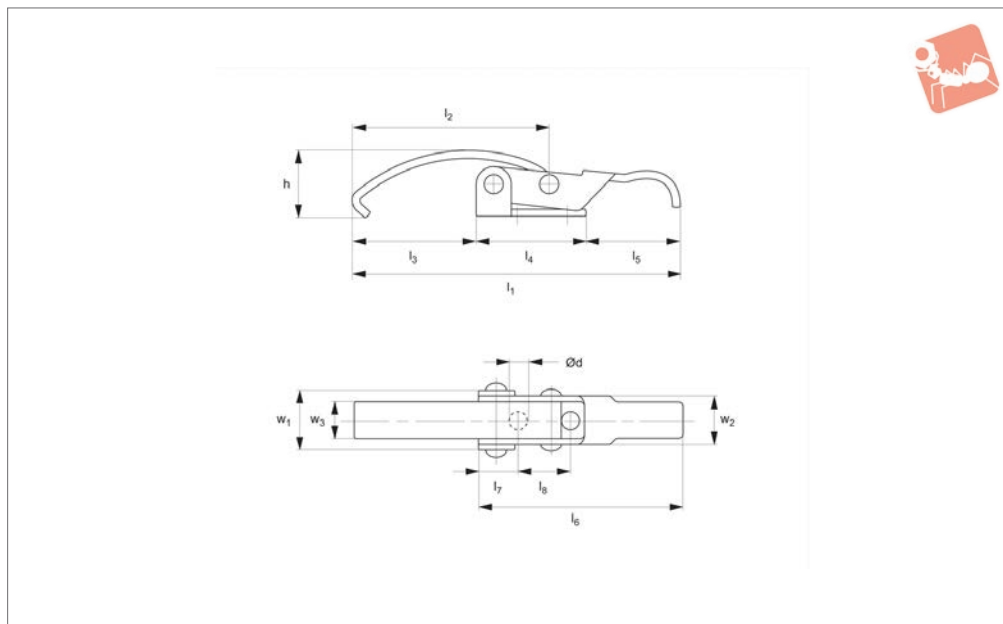
Order No.	Finish	$l_1$	$h_1$	$w_1$ 0 -1	$\varnothing d_1$	$l_2$	$h_2$	$l_3$	Weight g
J0554.AC0004	Zinc Plated Steel	81	18	30	2.5	49	9	32	18
Order No.	$l_4$	$l_5$ $\pm 0.1$	$l_6$	$w_2$	$w_3$	$w_4$	$w_5$	Load N max.	Tension N max.
J0554.AC0004	20	12	7	18	17	15	8.8	300	600



DRAW LATCHES



## J0556



### Material

Steel, Fe P02 + P12, UNI5866, zinc plated.  
Or stainless steel AISI304, UNI x5crNi.

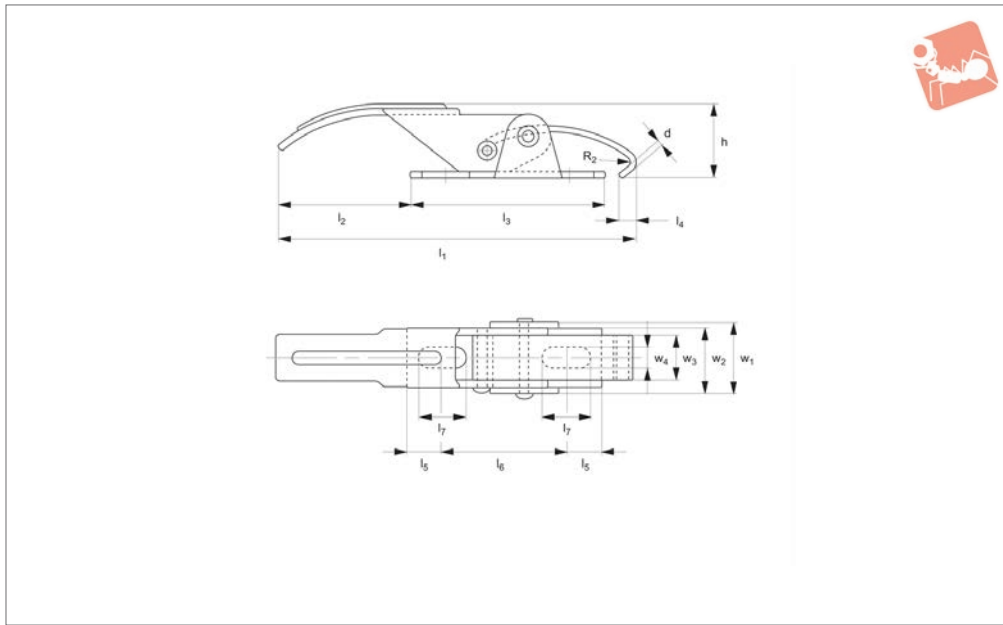
### Technical Notes

Counter strike not supplied.

Order No.	Finish	$l_1$	$w_1$	$h$	$\varnothing d$	$l_2$	$l_3$	$l_4$	Weight g
J0556.AC0004	Zinc Plated Steel	90	17	17	5	54	34	30	30
J0556.AC0030	Stainless Steel	90	17	17	5	54	34	30	30

Order No.	$l_5$	$l_6$	$l_7$	$l_8$	$w_2$	$w_3$	Load N max.	Tension N max.
J0556.AC0004	26	56	11	14	13.5	10	500	900
J0556.AC0030	26	56	11	14	13.5	10	500	900



**J0558**

DRAW LATCHES

**Material**

Steel, Fe P02 + P12, UNI5866, zinc plated.

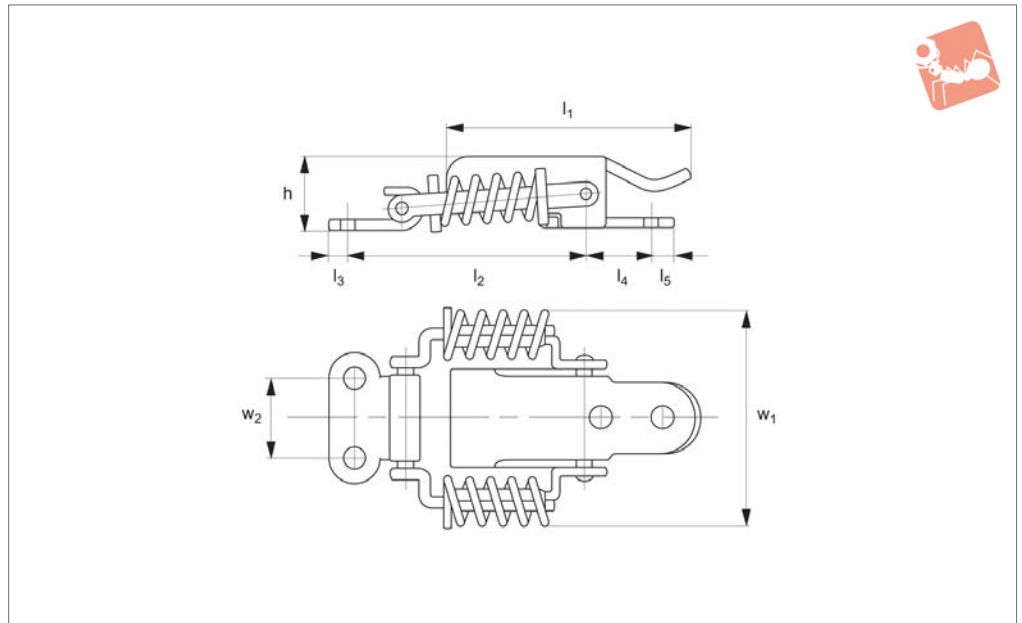
**Technical Notes**

Counter strike not supplied.

Order No.	Finish	$l_1$	$w_1$	$h$	$d$	$l_2$	$l_3$	$l_4$	Weight g
J0558.AC0004	Zinc Plated Steel	128.5	26	27	1.5	47.5	70	6.5	100
Order No.	$l_5$	$l_6$	$l_7$	$w_2$	$w_3$	$w_4$	Load N max.	Tension N max.	
J0558.AC0004	12.5	45	17	22	16	7	750	1500	



## J0620



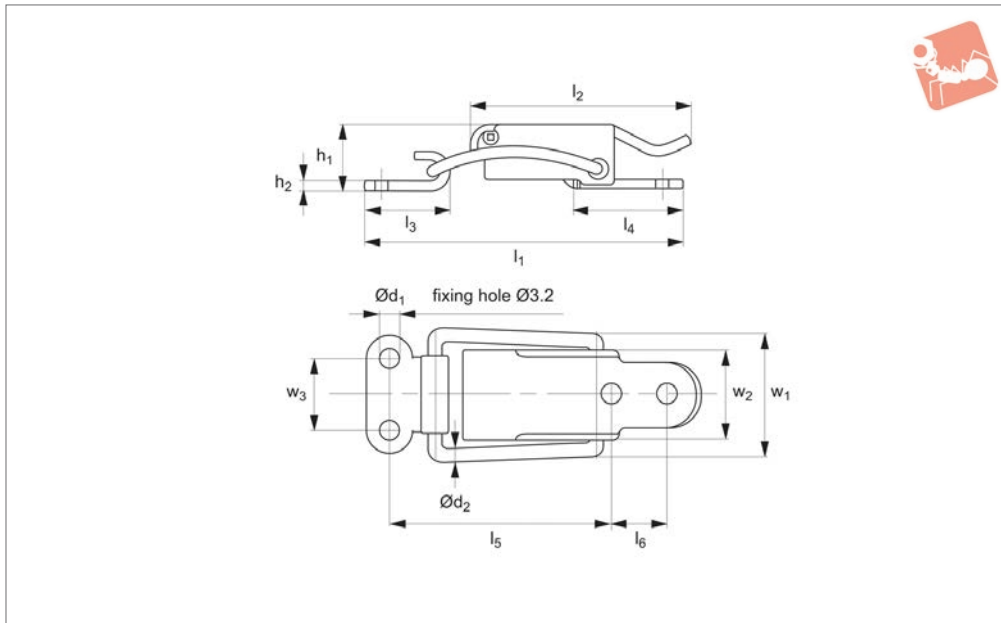
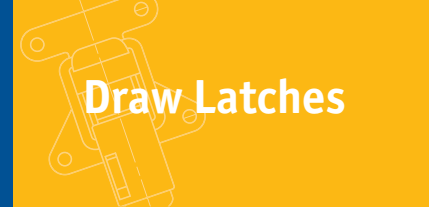
### Material

Steel, Fe P02 + P12, UNI5866, zinc plated.  
Or stainless steel AISI304, UNI x5crNi.

### Technical Notes

Supplied with counter strike.

Order No.	Finish	$l_1$	$w_1$	$h$	$\varnothing d_1$	$l_2$	$l_3$	$l_4$	$l_5$	$w_2$	$w_3$	Load N max.	Tension N max.	Weight g
J0620.AC0008	Zinc Plated	60 to 63	37	12.5	3.2	38 to 41	4	10	5.5	14	15	500	1500	35
J0620.AC0030	Stainless Steel	60 to 63	37	12.5	3.2	38 to 41	4	10	5.5	14	15	500	1500	35



**J0640**

DRAW LATCHES

**Material**

Steel, Fe P02 + P12, UNI5866, zinc plated.  
Or stainless steel AISI 304, UNI x5crNi.

**Technical Notes**

Supplied with counter strike.

Order No.	Finish	$l_1$	$h_1$	$w_1$	$\varnothing d_1$	$\varnothing d_2$	$l_2$	$h_2$	Weight g
J0640.AC0008	Zinc Plated	55	12	23	3.2	2	40	1.5	20
J0640.AC0030	Stainless Steel	55	12	23	3.2	2	40	1.5	20

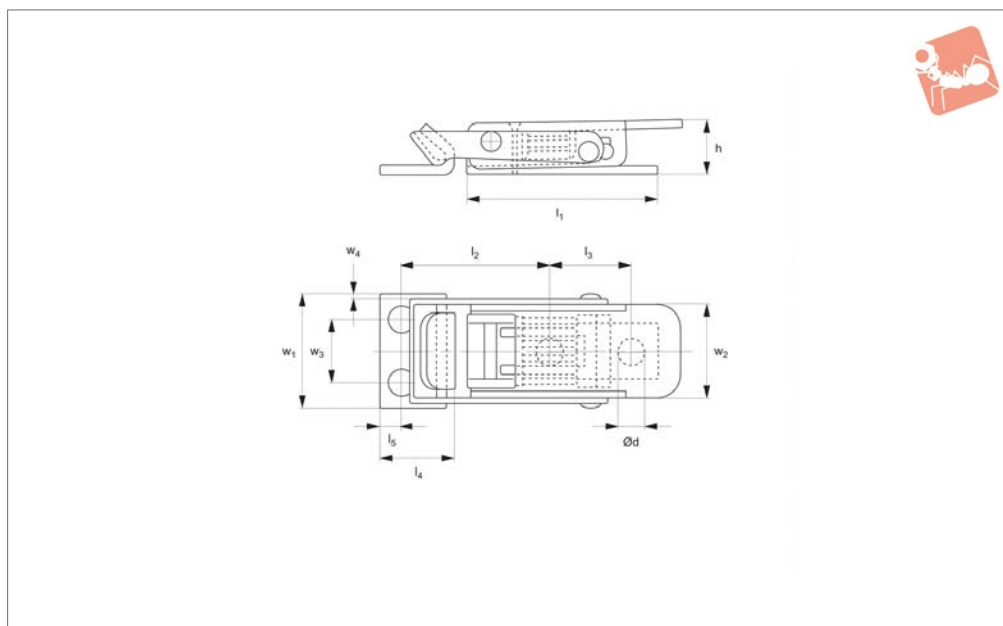
Order No.	$l_3$	$l_4$	$l_5$ $\pm 0.3$	$l_6$	$w_2$	$w_3$	Load N max.	Tension N max.
J0640.AC0008	15	21	35	10	15	14	550	1000
J0640.AC0030	15	21	35	10	15	14	550	1000



DRAW LATCHES



**J0642**



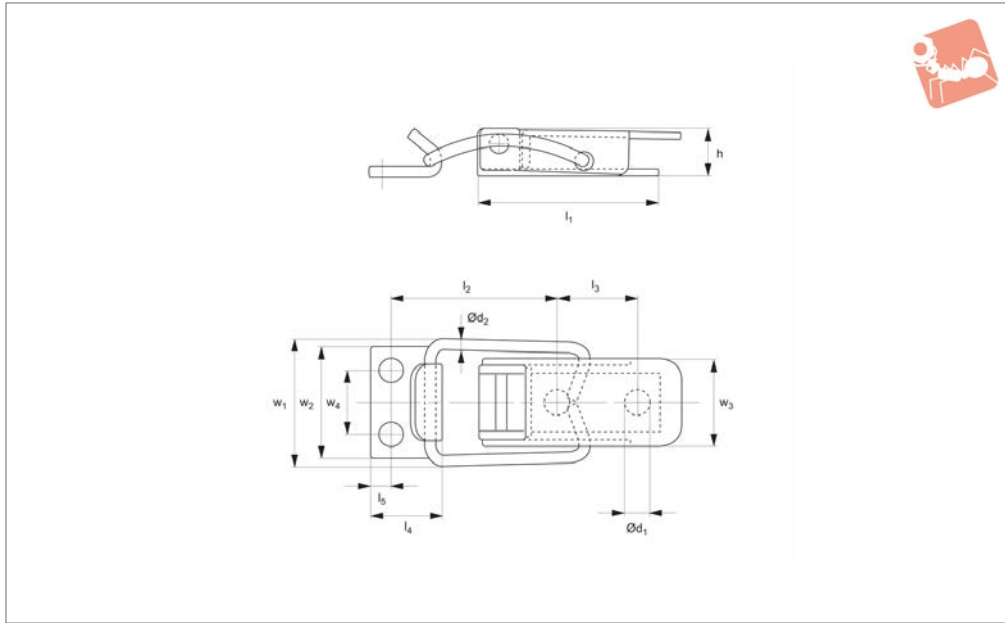
**Material**

Steel, Fe P02 + P12, UNI5866, zinc plated.

**Technical Notes**

Supplied with counter strike.

Order No.	Finish	$l_1$	$w_1$	$h$	$\varnothing d$	$l_2$ $\pm 0.3$	Weight g	
J0642.AC0008	Zinc plated	23	14	6.5	3.2	18	15	
Order No.	$l_3$	$l_4$	$l_5$	$w_2$	$w_3$	$w_4$	Load N max.	Tension N max.
J0642.AC0008	10	9	2.5	11.2	8	0.6	150	300



**J0644**

DRAW LATCHES

**Material**

Steel, Fe P02 + P12, UNI5866, zinc plated.

**Technical Notes**

Supplied with counter strike.

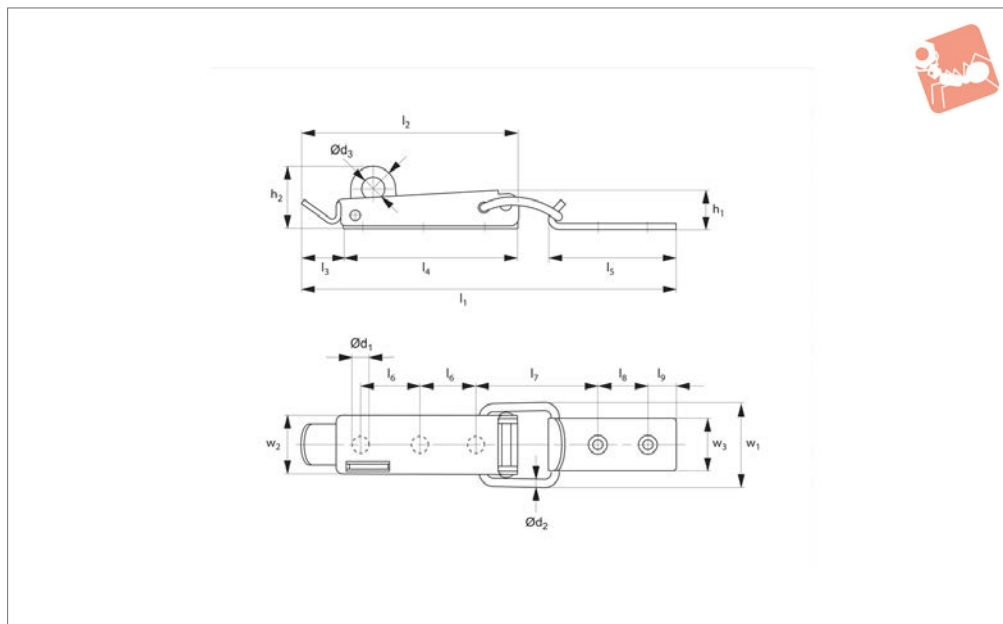
Order No.	Finish	$l_1$	$w_1$	$h$	$\varnothing d_1$	$\varnothing d_2$	$l_2$ $\pm 0.3$	Weight g
J0644.AC0008	Zinc Plated	23	16	6	3.2	1.4	21.5	15
Order No.	$l_3$	$l_4$	$l_5$	$w_2$	$w_3$	$w_4$	Load N max.	Tension N max.
J0644.AC0008	10	9	2.5	14	11.2	8	150	300



DRAW LATCHES



## J0420



### Material

Steel, Fe P02 + P12, UNI5866, Zinc plated.  
Or stainless steel AISI 304, UNI x5crNi.

### Technical Notes

Supplied with counter strike.

Order No.	Finish	$l_1$	$h_1$ $\pm 0.5$	$w_1$ $\pm 0.5$	$\varnothing d_1$	$\varnothing d_2$	$\varnothing d_3$	$h_2$	$h_3$	$l_2$	Weight g
J0420.AC0004	Zinc Plated Steel	193.5	19	43	5.3	4	11	30.5	20.5	112	190
J0420.AC0030	Stainless Steel	193.5	19	43	5.3	4	11	30.5	20.5	112	190

Order No.	$l_3$	$l_4$ $\pm 0.5$	$l_5$	$l_6$	$l_7$ $\pm 0.5$	$l_8$	$l_9$	$l_{10}$ $\pm 0.5$	$w_2$ $\pm 0.5$	$w_3$	$l_{11}$	Load N max.	Tension N max.
J0420.AC0004	21.5	90	66	31.5	58.5	25.5	15	23.5	30	27	82.5	2000	4000
J0420.AC0030	21.5	90	66	31.5	58.5	25.5	15	23.5	30	27	82.5	2000	4000





# Toggle Latches

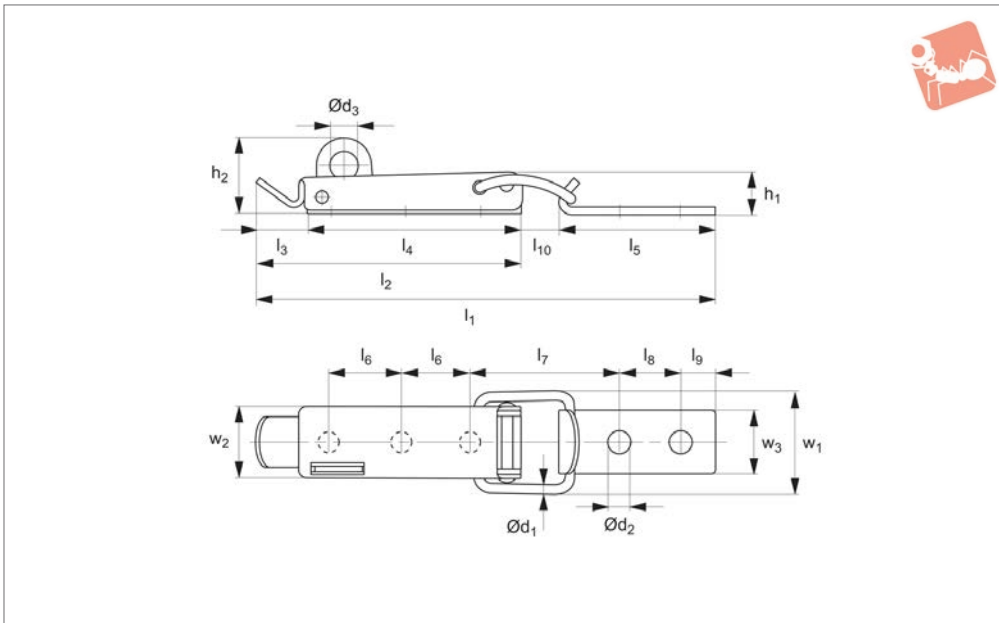
with padlock shackle, **stainless steel**

# Draw Latches



## J0430

DRAW LATCHES



### Material

Steel, Fe P02 + P12, UNI5866, zinc plated.  
Or stainless steel AISI 304, UNI x5crNi.

### Technical Notes

Supplied with counter strike. Use a padlock of 7mm dia. or less.

Order No.	Finish	$l_1$	$h_1$	$w_1$	$\varnothing d_1$	$\varnothing d_2$	$\varnothing d_3$	$h_2$	$l_2$	$l_3$	Weight g
J0430.AC0004	Zinc Plated Steel	140.5	12.5	34	3	4.1	7	20	86	16	80
J0430.AC0030	Stainless Steel	140.5	12.5	34	3	4.1	7	20	86	16	80

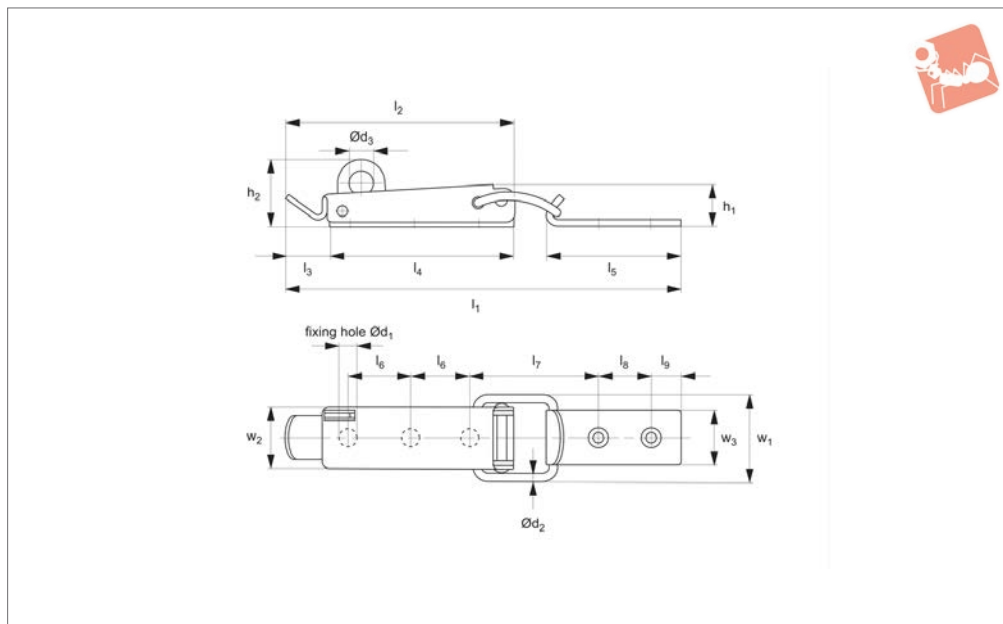
Order No.	$l_4$	$l_5$	$l_6$	$l_7 \pm 0.5$	$l_8$	$l_9$	$l_{10}$	$w_2$	$w_3$	Load N max.	Tension N max.
J0430.AC0004	70	43	22.5	38	20	8	11.5	23	19	1500	3000
J0430.AC0030	70	43	22.5	38	20	8	11.5	23	19	1500	3000



DRAW LATCHES



## J0460



### Material

Steel, Fe P02 + P12, UNI5866, zinc plated.  
Or stainless steel AISI 304, UNI x5crNi.

### Technical Notes

Supplied with counter strike.

Order No.	Finish	$l_1$	$h_1$	$w_1$	$\varnothing d_1$	$\varnothing d_2$	$\varnothing d_3$	$h_2$	$l_2$	$l_3$	Weight g
J0460.AC0004	Zinc Plated Steel	102	11	23	3.2	2	4	15.5	60	16	30
J0460.AC0030	Stainless Steel	102	11	23	3.2	2	4	15.5	60	16	30

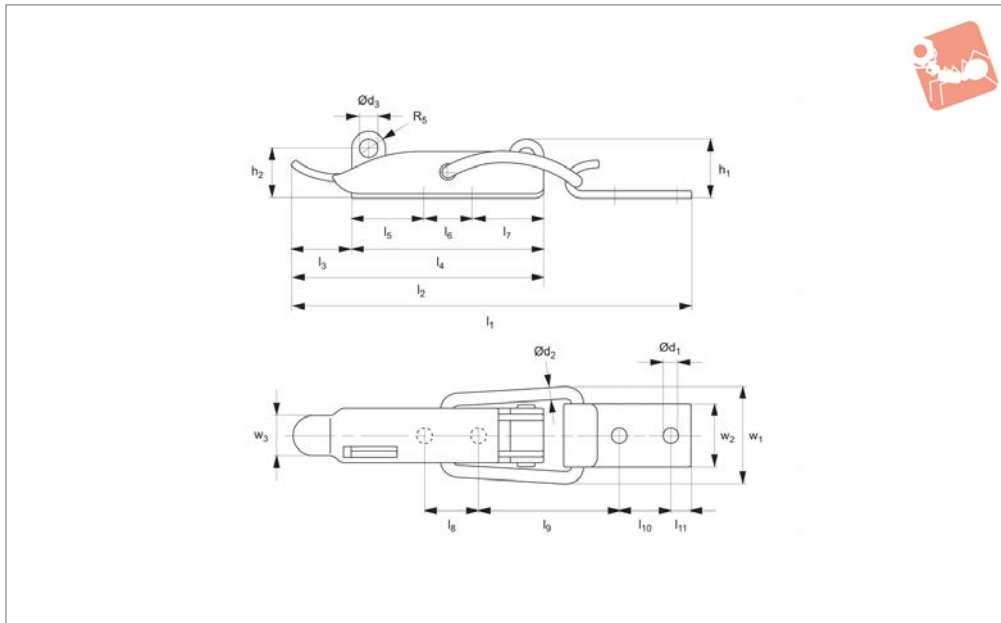
Order No.	$l_4$	$l_5$	$l_6$	$l_7$ $\pm 0.5$	$l_8$	$l_9$	$w_2$	$w_3$	Load N max.	Tension N max.
J0460.AC0004	44	30	12.5	34.5	12	5	16.4	13	550	1300
J0460.AC0030	44	30	12.5	34.5	12	5	16.4	13	350	1000



# Toggle Latches

with padlock shackle, **stainless steel**

# Draw Latches



**J0552**

DRAW LATCHES

### Material

Steel, Fe P02 + P12, UNI5866, zinc plated.  
Or stainless steel AISI304, UNI x5crNi.

### Technical Notes

Supplied with counter strike. Use a padlock of 5,5mm dia. or less.

Order No.	Finish	$l_1$	$h_1$	$w_1$	$\varnothing d_1$	$\varnothing d_2$	$\varnothing d_3$	$h_2$	$l_2$	$l_3$	$l_4$	Weight g
J0552.AC0004	Zinc Plated Steel	114	17	28	4.1	3	5.5	14	72	17	55	55
J0552.AC0030	Stainless Steel	114	17	28	4.1	3	5.5	14	72	17	55	55

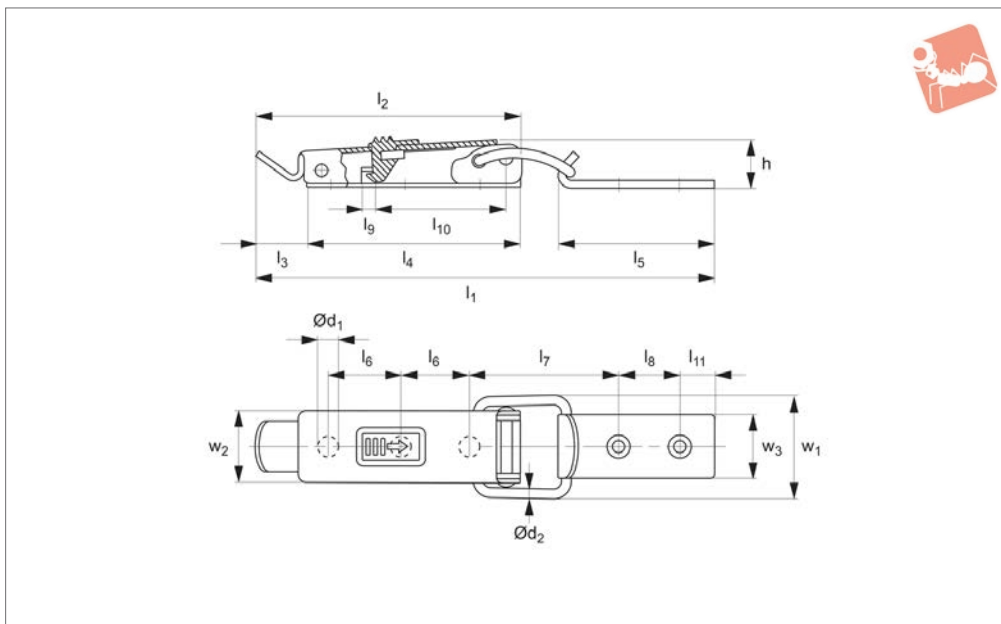
Order No.	$l_5$	$l_6$	$l_7$	$l_8$	$l_9 \pm 0.5$	$l_{10}$	$w_2$	$w_3$	$l_{11}$	Load N max.	Tension N max.
J0552.AC0004	21	15.5	18.7	15.5	40.5	15	19	12	5	1000	2500
J0552.AC0030	21	15.5	18.7	15.5	40.5	15	19	12	5	1000	2500



DRAW LATCHES



## J0422



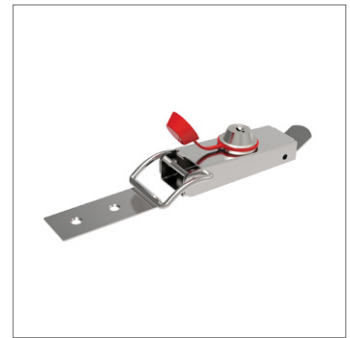
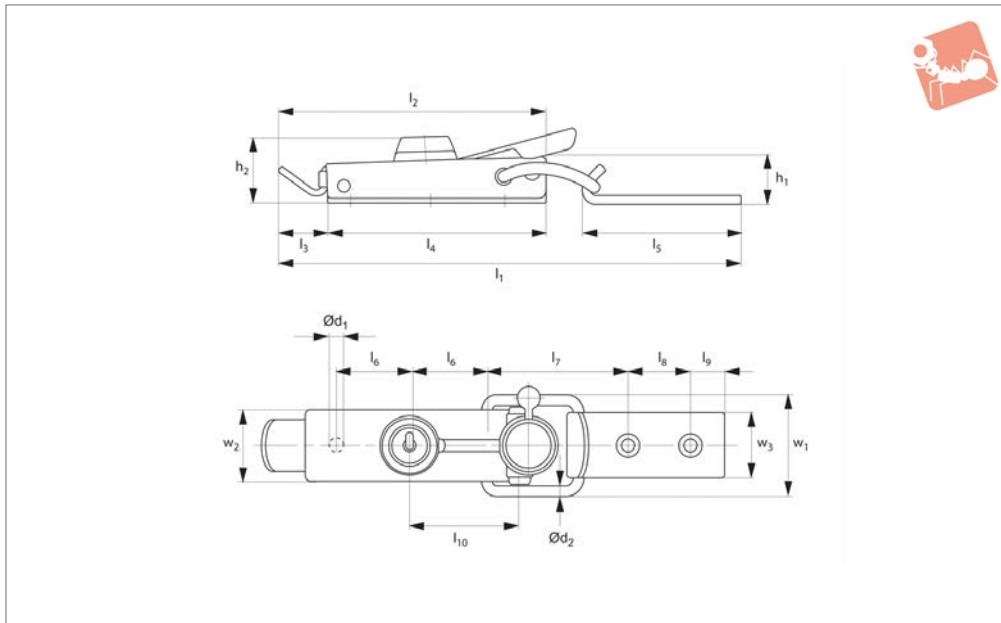
### Material

Stainless steel AISI 304, UNI x5crNi.

### Technical Notes

Supplied with counter strike.

Order No.	Finish	$l_1$	$h$ $\pm 0.5$	$w_1$ $\pm 0.5$	$\varnothing d_1$	$\varnothing d_2$	$l_2$	$l_3$	$l_4$ $\pm 0.5$	$l_5$	Weight g
J0422.AC0030	Stainless Steel	193.5	19	43	5.3	4	112	21.5	90	66	190
Order No.	$l_6$	$l_7$ $\pm 0.5$	$l_8$	$l_9$	$l_{10}$	$w_2$ $\pm 0.5$	$l_{11}$ $l_1$	$w_3$	Load N max.	Tension N max.	
J0422.AC0030	31.5	58.5	25.5	4	55	30	15	27	2000	4000	



**J0424**

DRAW LATCHES

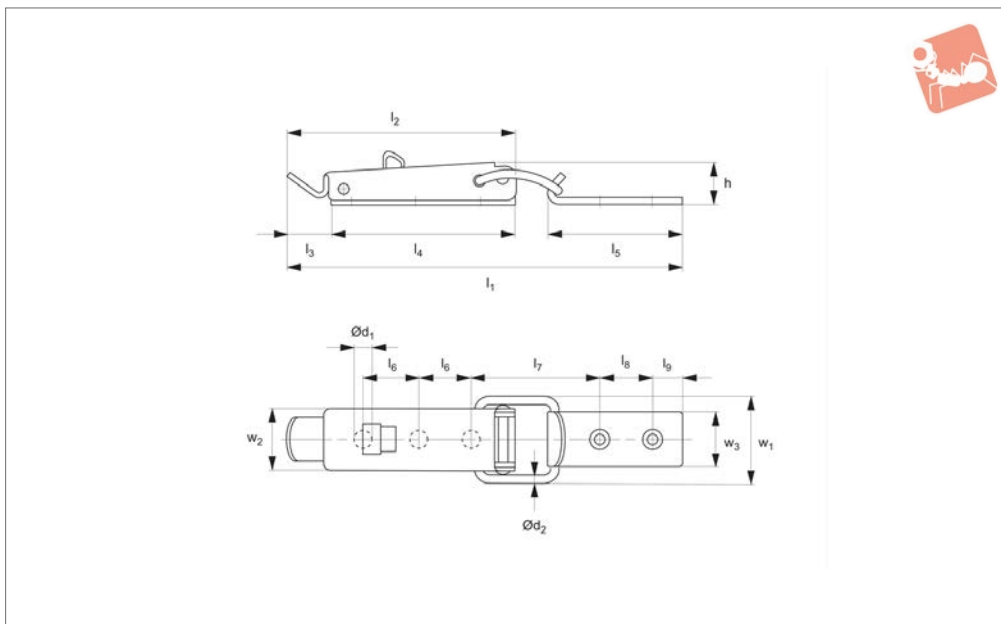
**Material**

Draw hook and pin in stainless steel, body steel.

Order No.	Finish	$l_1$	$h_1$ $\pm 0.5$	$w_1$ $\pm 0.5$	$\varnothing d_1$	$\varnothing d_2$	$l_2$	$h_2$ $\pm 0.5$	$l_3$	$l_4$ $\pm 0.5$	Weight g
<b>J0424.AC0030</b>	Delta Zinc Plated	193.5	19	43	5.3	4	112	27.5	21.5	90	190
Order No.	$l_5$	$l_6$	$l_7$ $\pm 0.5$	$l_8$	$l_9$	$l_{10}$ $\pm 0.5$	$w_2$ $\pm 0.5$	$w_3$	Load N max.	Tension N max.	
<b>J0424.AC0030</b>	66	31.5	58.5	25.5	15	44	30	27	2000	4000	



## J0462



### Material

Steel, Fe P02 + P12, UNI5866, zinc plated.  
Or stainless steel AISI 304, UNI x5crNi.

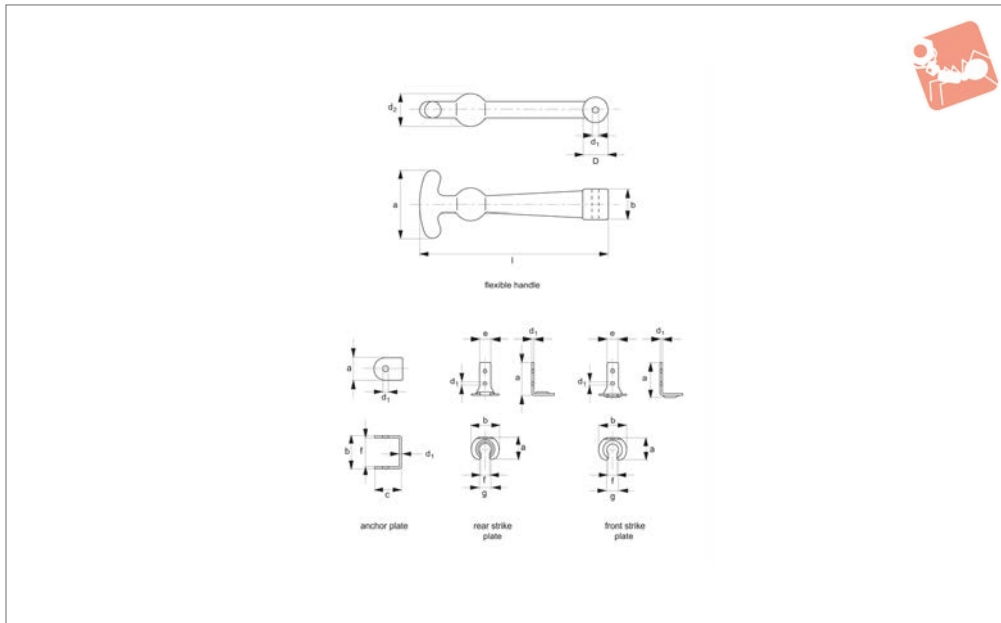
### Technical Notes

Supplied with counter strike.

Order No.	Finish	$l_1$	$h$	$w_1$	$\varnothing d_1$	$\varnothing d_2$	$l_2$	$l_3$	$l_4$	Weight g
J0462.AC0004	Zinc Plated Steel	102	11	23	3.2	2	60	16	44	30
J0462.AC0030	Stainless Steel	102	11	23	3.2	2	60	16	44	30

Order No.	$l_5$	$l_6$	$l_7 \pm 0.5$	$l_8$	$l_9$	$w_2$	$w_3$	Load N max.	Tension N max.
J0462.AC0004	30	12.5	34.5	12	5	16.4	13	550	1300
J0462.AC0030	30	12.5	34.5	12	5	16.4	13	350	1000



## J0710

DRAW LATCHES

### Material

Handle: black rubber, 65/70 shore hardness.

Anchor Plate and Strike Plate: steel, zinc plated.

Supplied with cotter pin for assembly.

### Technical Notes

Flexible handle J0710.AC0148 supplied

with split cotter pin 3.2 dia x 55 long for mounting onto anchor plate.

### Important Notes

Please order anchor plate and strike plate separately, to best suit your application. Front strike plate is mounted underneath the flexible handle. Rear strike plate is mounted away from the flexible handle.

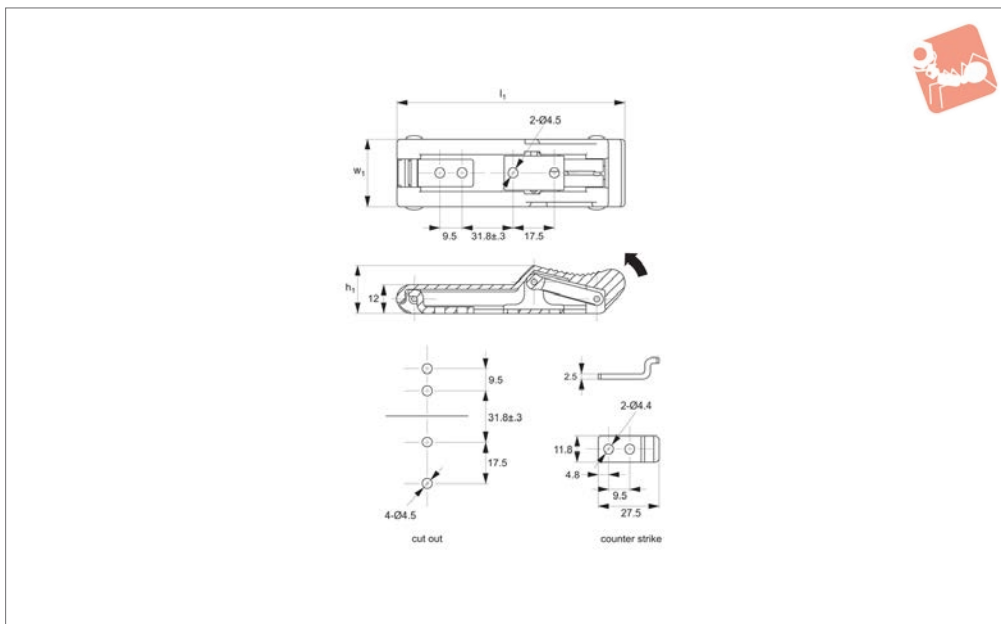
Order No.	Type	l	a	b	Ø d <sub>1</sub>	Ø d <sub>2</sub>	Ø d <sub>3</sub>	c	e	f	g
J0710.AC0148	Flexible Handle	148	53	24	20	26	4	-	-	-	-
J0710.AC0010	Anchor Plate	-	20	30	2	-	5	25	-	26	-
J0710.AC0020	Rear Strike Plate	-	32	40	2	-	4	50	16	15	18
J0710.AC0022	Front Strike Plate	-	32	38	2	-	4	44	16	15	18



DRAW LATCHES



**J0712**



**Material**

Handle: rubber, black.

Counter strike and bracket: stainless steel.

**Not supplied:** fixing screws.

catch. Pull back and down to lock.

**Tips**

Flexible rubber allows latch to stretch over

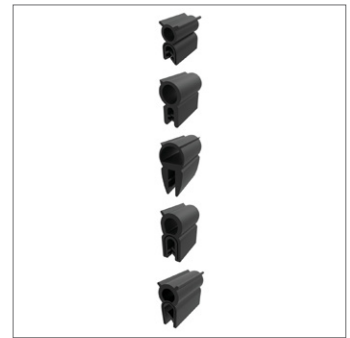
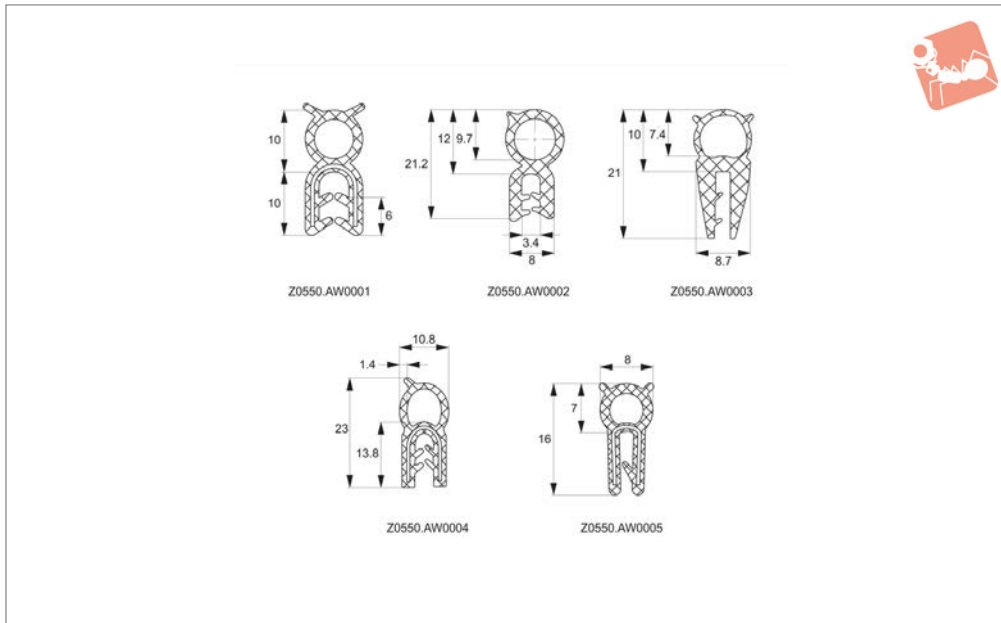
**Order No.**  
J0712.AW0010

$l_1$   
96.5

$w_1$   
29

$h_1$   
20





**Z0550**

**Material**

EPDM, black.

Larger lengths in multiples of 10m are available on request.

Information in the plastics and rubbers table in our technical index.

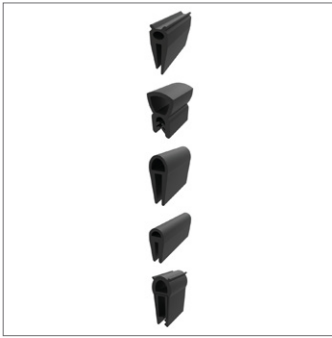
**Technical Notes**

Supplied in 10m lengths as standard.

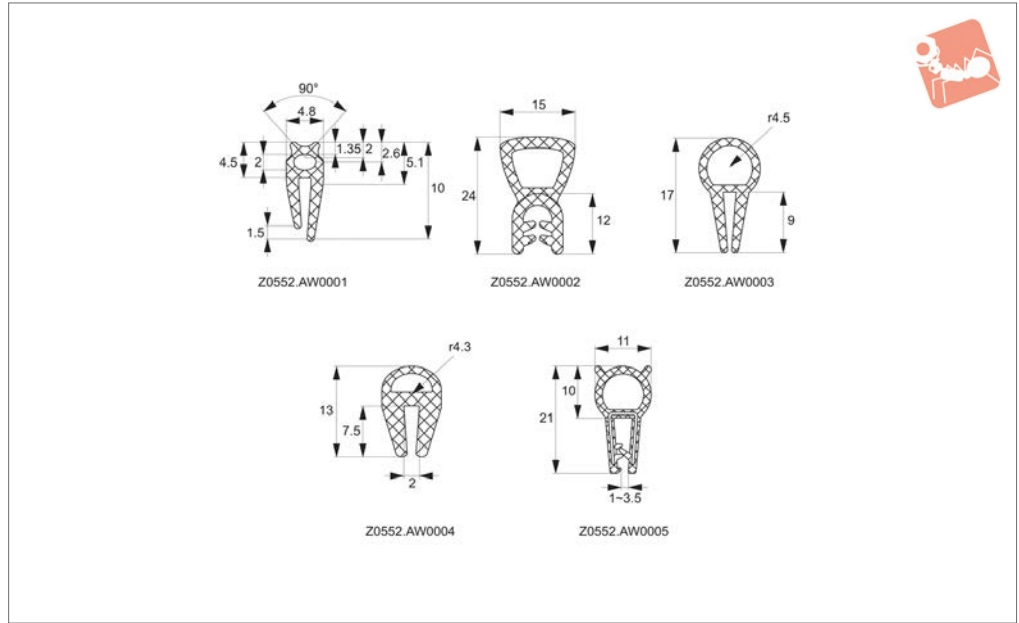
**Tips**

For properties of EPDM material see information in the plastics and rubbers table in our technical index.

Order No.	Material	Colour	Grip range mm	Standard length m
Z0550.AW0001	EPDM	Black	1,0-2,0	10
Z0550.AW0002	EPDM	Black	1,0-2,0	10
Z0550.AW0003	EPDM	Black	1,0-2,0	10
Z0550.AW0004	EPDM	Black	1,0-1,5	10
Z0550.AW0005	EPDM	Black	1,0-1,5	10



## Z0552



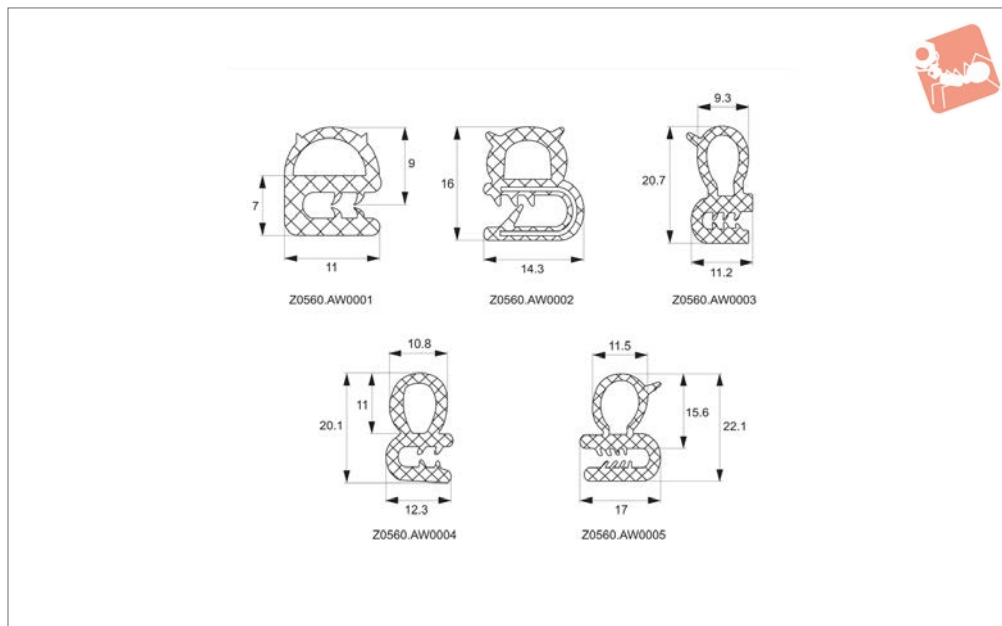
**Material**  
EPDM, black.

**Technical Notes**  
Supplied in 10m lengths as standard.

Larger lengths in multiples of 10m are available on request.

**Tips**  
For properties of EPDM material see information in the plastics and rubbers table in our technical index.

Order No.	Material	Colour	Standard length m
Z0552.AW0001	EPDM	Black	10
Z0552.AW0002	EPDM	Black	10
Z0552.AW0003	EPDM	Black	10
Z0552.AW0004	EPDM	Black	10
Z0552.AW0005	EPDM	Black	10



**Z0560**

GASKETING & DOCUMENT HOLDERS

**Material**

EPDM, black.

Larger lengths in multiples of 10m are available on request.

Information in the plastics and rubbers table in our technical index.

**Technical Notes**

Supplied in 10m lengths as standard.

**Tips**

For properties of EPDM material see information in the plastics and rubbers table in our technical index.

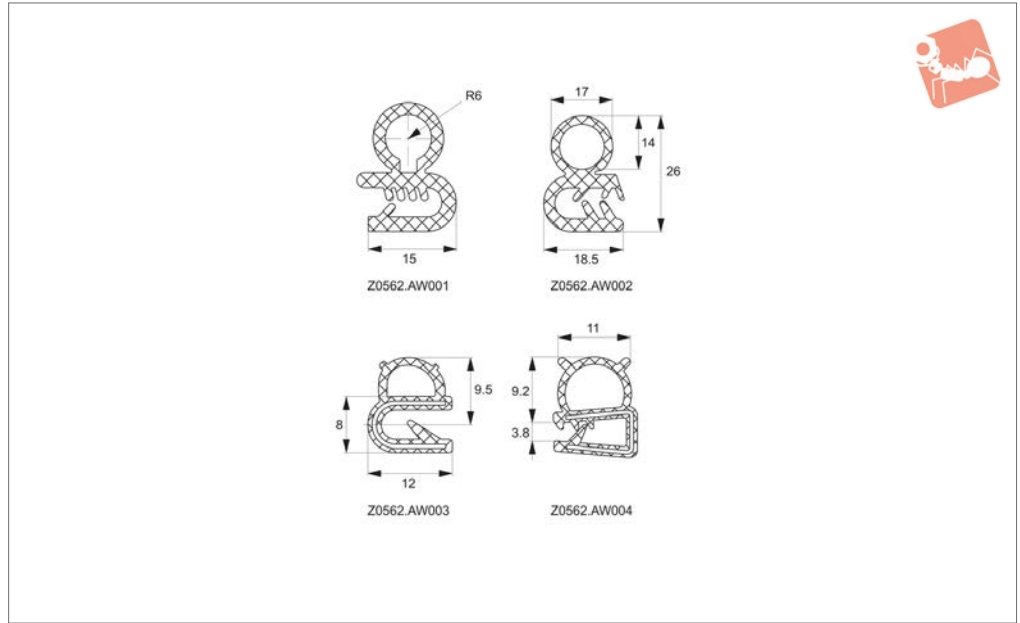
**Important Notes**

Price shown is per metre.

Order No.	Material	Colour	Grip range mm	Standard length m
Z0560.AW0001	EPDM	Black	1,0-2,0	10
Z0560.AW0002	EPDM	Black	1,0-2,0	10
Z0560.AW0003	EPDM	Black	1,0-1,5	10
Z0560.AW0004	EPDM	Black	1,0-2,0	10
Z0560.AW0005	EPDM	Black	1,0-1,5	10



## Z0562



**Material**  
EPDM, black.

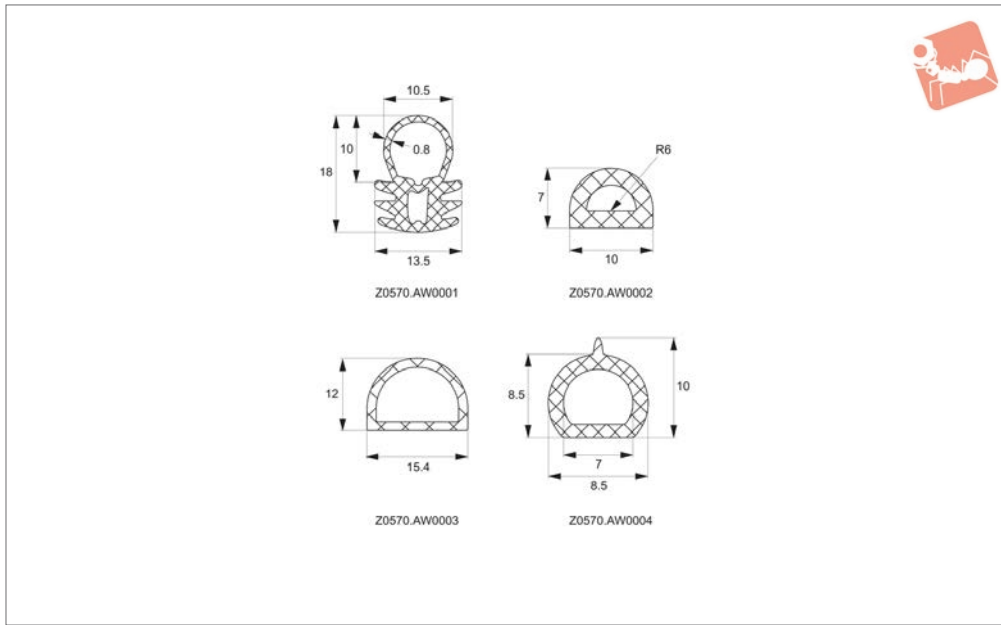
Larger lengths in multiples of 10m are available on request.

Information in the plastics and rubbers table in our technical index.

**Technical Notes**  
Supplied in 10m lengths as standard.

**Tips**  
For properties of EPDM material see information in the plastics and rubbers table in our technical index.

Order No.	Material	Colour	Grip range mm	Standard length m
Z0562.AW0001	EPDM	Black	1,0-2,0	10
Z0562.AW0002	EPDM	Black	1,0-2,0	10
Z0562.AW0003	EPDM	Black	1,0-2,0	10
Z0562.AW0004	EPDM	Black	1,0-3,5	10



Z0570

GASKETING & DOCUMENT HOLDERS

**Material**

EPDM, black.

Larger lengths in multiples of 10m are available on request.

mation in the plastics and rubbers table in our technical index.

**Technical Notes**

Supplied in 10m lengths as standard.

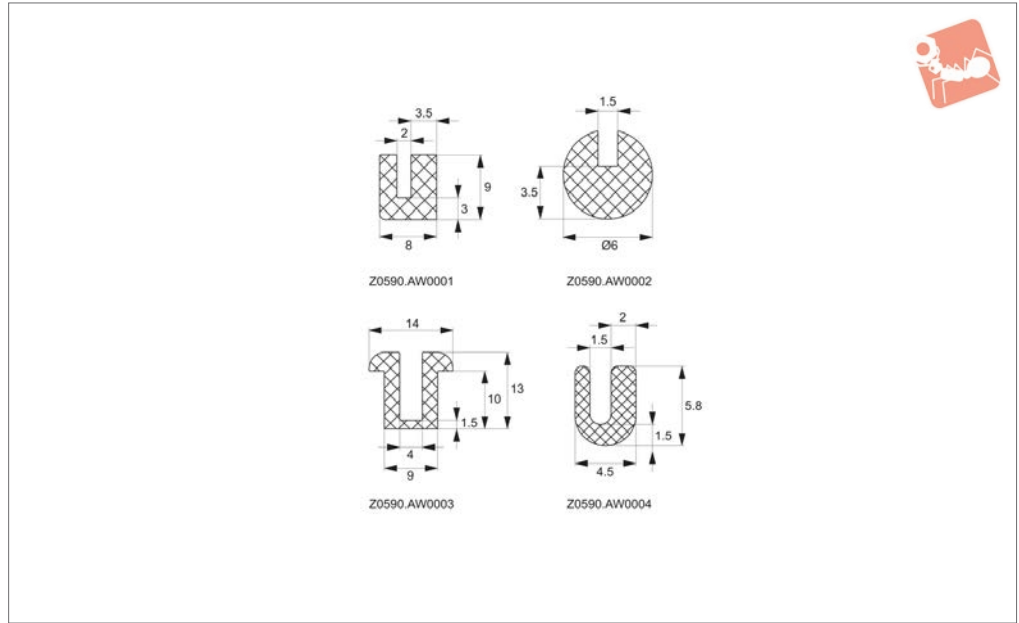
**Tips**

For properties of EPDM material see infor-

Order No.	Material	Colour	Standard length m
Z0570.AW0001	EPDM	Black	10
Z0570.AW0002	EPDM	Black	10
Z0570.AW0003	EPDM	Black	10
Z0570.AW0004	EPDM	Black	10



## Z0590



**Material**  
EPDM, black.

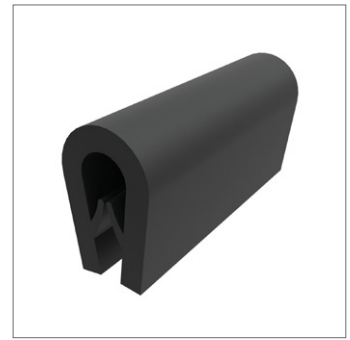
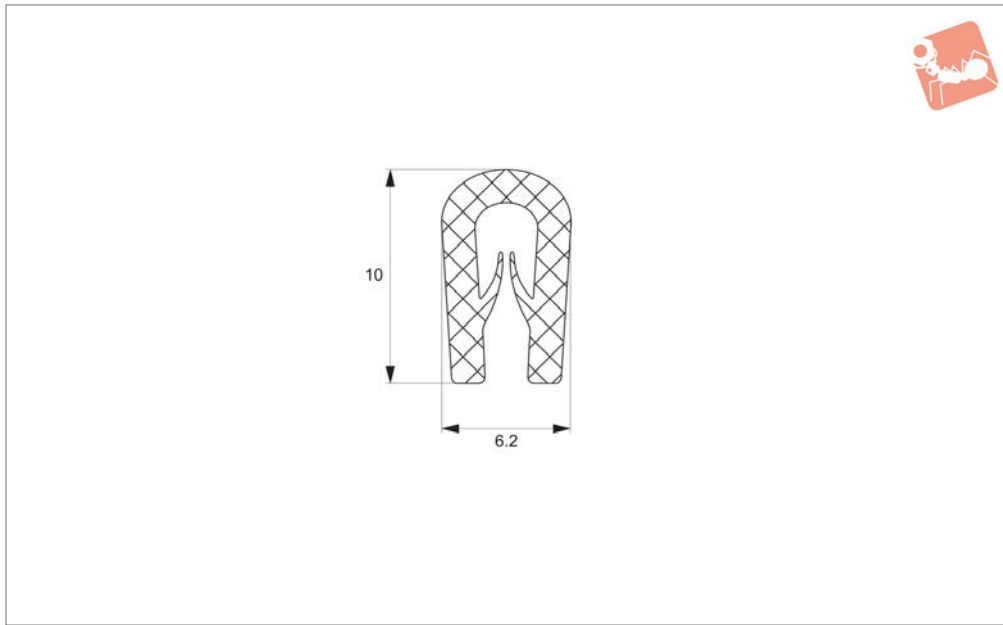
Larger lengths in multiples of 10m are available on request.

Information in the plastics and rubbers table in our technical index.

**Technical Notes**  
Supplied in 10m lengths as standard.

**Tips**  
For properties of EPDM material see information in the plastics and rubbers table in our technical index.

Order No.	Material	Colour	Standard length m
Z0590.AW0001	EPDM	Black	10
Z0590.AW0002	EPDM	Black	10
Z0590.AW0003	EPDM	Black	10
Z0590.AW0004	EPDM	Black	10



Z1002

GASKETING & DOCUMENT HOLDERS

**Material**

EPDM, black.

lengths in multiples of 10m are available on request.

mation in the plastics and rubbers table in our technical index.

**Technical Notes**

Can be supplied in 10m lengths. Larger

**Tips**

For properties of EPDM material see infor-

Order No.	Material	Colour	Grip range mm	Standard length m
Z1002.AW0001	EPDM	Black	1,0-2,0	10



We offer a wide range of gasketing and edge protection products;

- Self-adhesive foam.
- Edge protection.
- Flipper gaskets.
- Bubble gaskets.

They provide solutions for;

- Cabinet sealing.
- Vibration dampening.
- Edge protection.
- Dust exclusion.

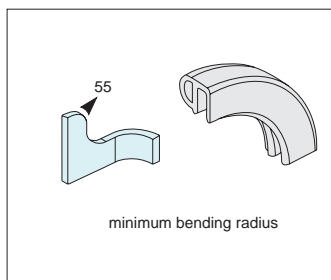
In a wide range of applications;

- Electrical cabinet and panel manufacture.
- Generator, compressor and machinery manufacture.
- Heating and ventilation industries.
- Automotive and white goods.
- Furniture industry.

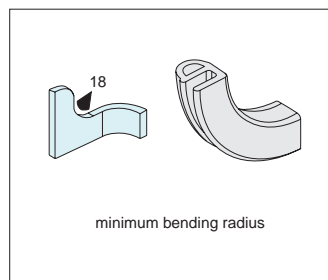


### Explanation of minimum bending radius

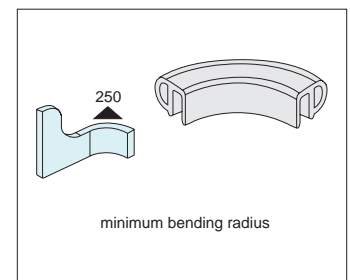
Please refer to individual product tables for specific values.



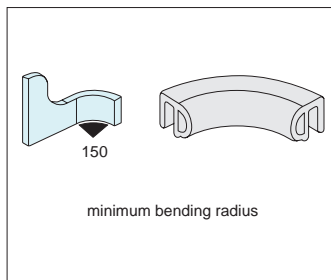
Outer curve



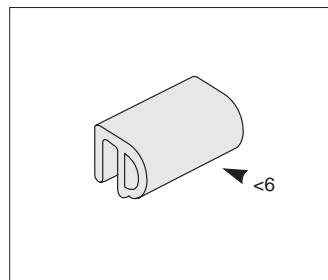
Inner curve



Outer radius

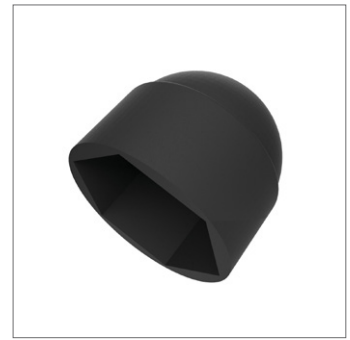
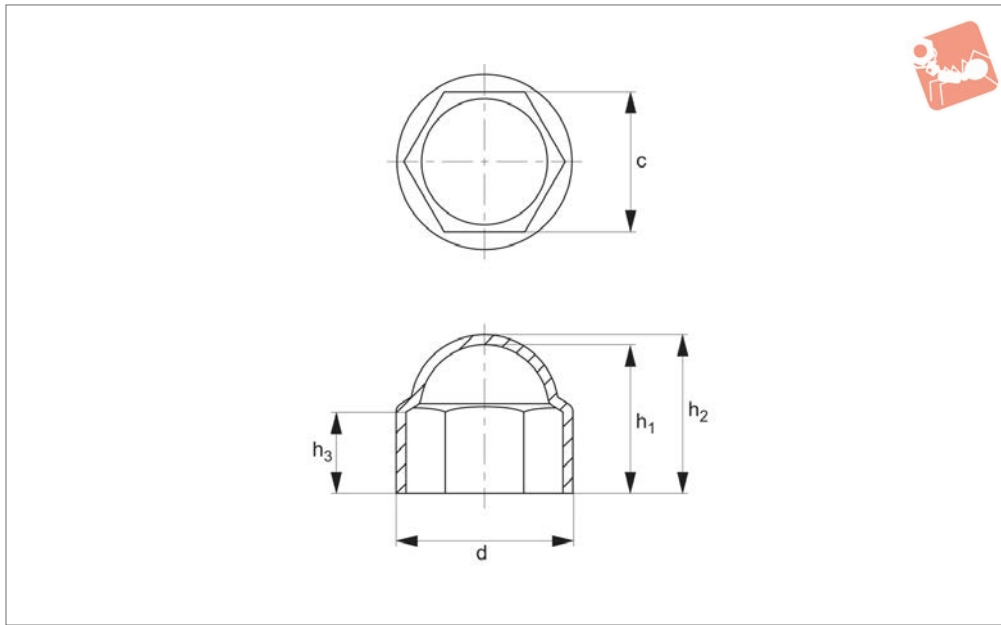


Inner radius



Compression





### V0700

CAPS, PLUGS, MASKING AND INSERTS

#### Material

Polyethylene, black.

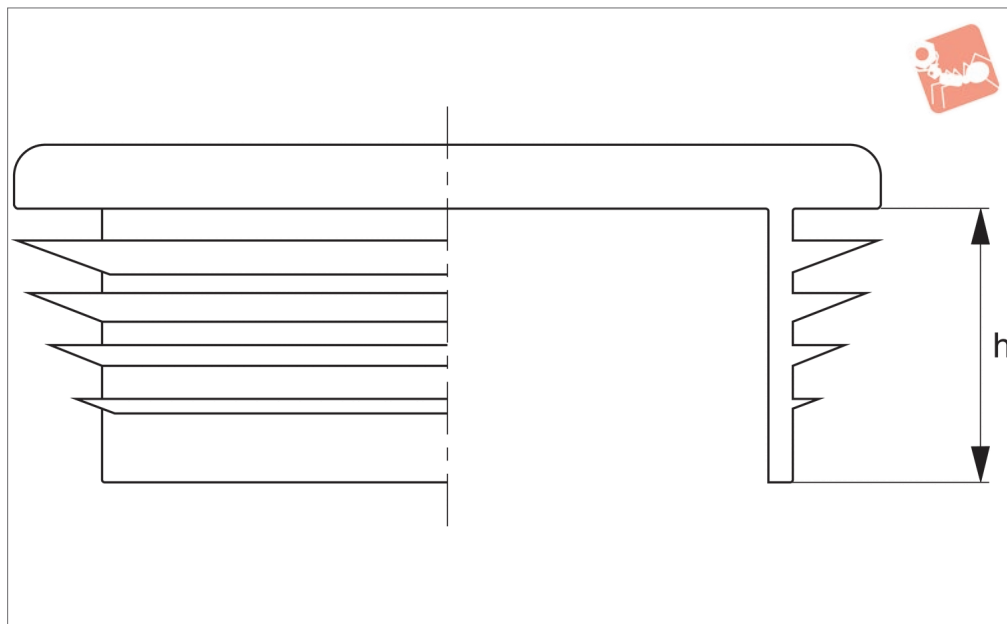
#### Important Notes

Sold subject to minimum pack quantity.

Order No.	Thread	A/F	c	d	h <sub>1</sub>	h <sub>2</sub>	h <sub>3</sub>
V0700.AC0451	M 4	7	6.9	9.0	7.5	8.3	3.5
V0700.AC0453	M 5	8	7.9	10.9	8.5	9.3	5.0
V0700.AC0455	M 6	10	9.8	12.9	12.0	13.0	6.0
V0700.AC0457	M 8	13	12.8	16.8	14.0	15.0	9.0
V0700.AC0459	M10	17	16.7	21.3	18.5	19.5	9.0
V0700.AC0461	M12	19	18.7	23.6	20.0	21.5	11.0
V0700.AC0463	M14	22	21.7	27.5	22.5	24.0	12.0
V0700.AC0465	M16	24	23.7	29.8	25.5	27.0	14.0
V0700.AC0467	M18	27	26.8	34.0	29.0	43.0	15.0
V0700.AC0469	M20	30	29.8	37.7	31.0	33.2	17.0
V0700.AC0471	M22	32	31.8	39.7	34.0	36.2	19.0
V0700.AC0473	M24	36	35.8	44.4	38.0	39.2	20.0
V0700.AC0475	M27	41	40.8	50.1	44.0	46.5	23.0
V0700.AC0477	M30	46	45.8	55.9	49.0	51.5	25.0
V0700.AC0479	M33	50	49.8	60.5	53.0	55.5	27.0
V0700.AC0481	M36	55	54.8	67.0	57.0	59.5	30.0
V0700.AC0483	M39	60	59.7	72.0	60.0	62.5	38.0
V0700.AC0485	M42	65	63.7	76.5	63.0	65.5	42.0
V0700.AC0487	M45	70	69.7	85.5	73.0	75.5	38.0
V0700.AC0489	M48	75	75.0	91.6	78.5	81.0	41.0
V0700.AC0491	M52	80	80.0	98.0	83.4	86.2	43.5
V0700.AC0493	M56	85	85.0	104.2	88.6	91.6	48.0
V0700.AC0495	M64	95	95.0	116.7	102.0	105.5	55.0



## V0600



### Material

Low density polyethylene, black.

### Important Notes

Sold subject to minimum pack quantity.

### Technical Notes

Insert ribs provide secure fitting.

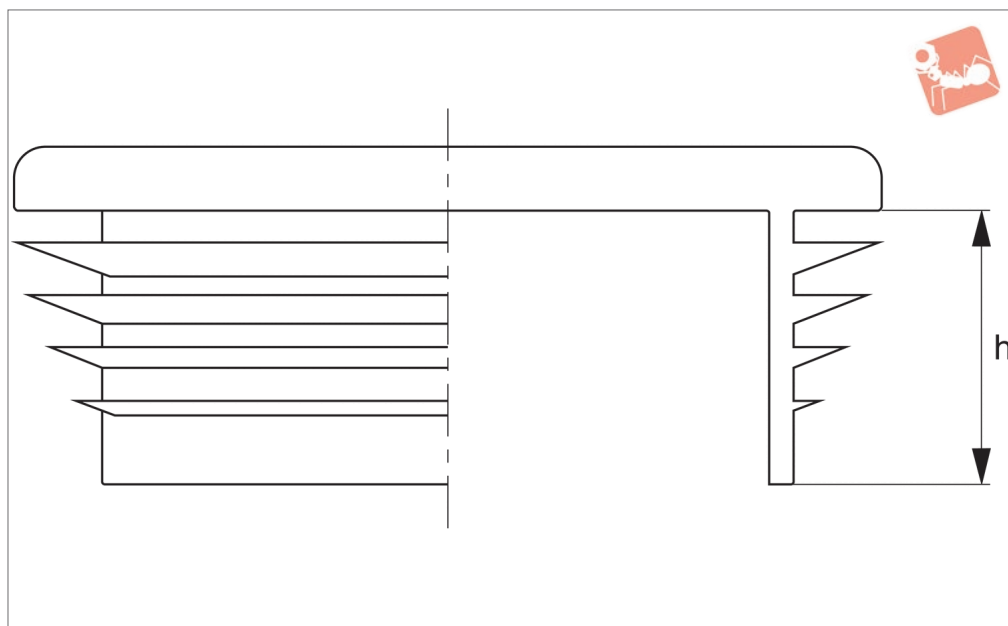
Order No.	External cap dim.	Tube wall thickness	h
V0600.AC0208	90x90	3,6-5,0	6.0
V0600.AC0151	10x10	1,5-2,0	12.0
V0600.AC0153	12x12	1,5-2,0	12.0
V0600.AC0155	13x13	1,5-2,0	12.0
V0600.AC0157	15x15	1,5-2,0	14.0
V0600.AC0159	16x16	1,5-2,0	11.5
V0600.AC0162	18x18	1,5-2,0	11.5
V0600.AC0164	20x20	1,0-3,0	11.0
V0600.AC0166	22x22	1,0-3,0	12.0
V0600.AC0168	25x25	1,0-3,0	11.5
V0600.AC0174	28x28	1,5-3,0	11.5
V0600.AC0176	30x30	1,0-2,5	11.5
V0600.AC0177	30x30	2,5-4,5	11.5
V0600.AC0182	35x35	1,0-3,0	14.5
V0600.AC0184	35x35	2,5-5,0	12.0
V0600.AC0186	40x40	1,0-3,0	14.0
V0600.AC0188	40x40	2,5-4,0	18.0
V0600.AC0189	40x40	5,0-5,5	14.0
V0600.AC0192	45x45	1,0-3,0	14.5
V0600.AC0194	50x50	1,0-2,5	14.5
V0600.AC0196	50x50	2,6-4,0	25.0
V0600.AC0198	50x50	3,5-6,0	14.5
V0600.AC0200	60x60	1,5-3,5	24.0
V0600.AC0201	60x60	3,0-5,0	17.5
V0600.AC0203	70x70	2,0-4,0	19.0
V0600.AC0204	80x80	2,0-4,0	21.0
V0600.AC0206	80x80	3,0-5,0	24.0
V0600.AC0207	90x90	2,0-5,0	25.0
V0600.AC0210	100x100	1,0-4,0	24.0
V0600.AC0211	100x100	5,0-8,0	24.0
V0600.AC0213	120x120	2,5-5,0	25.0
V0600.AC0219	150x150	5,0-8,0	-
V0600.AC0221	150x150	10,0-12,5	27.0



# Inserts

ribbed - rectangular

# Caps, Plugs, Masking and



## V0610

CAPS, PLUGS, MASKING AND INSERTS

### Material

Low density polyethylene, black.

### Important Notes

Sold subject to minimum pack quantity.

### Technical Notes

Insert ribs provide secure fitting.

Order No.	External cap dim.	Tube wall thickness	h
V0610.AC0992	20x10	1,0-2,0	11,0
V0610.AC0994	20x15	1,0-2,0	11,5
V0610.AC0997	25x10	1,0-1,5	11,5
V0610.AC0999	25x15	1,0-2,5	11,5
V0610.AC1002	25x20	1,0-3,0	11,5
V0610.AC1004	30x10	1,0-1,5	11,5
V0610.AC1006	30x15	1,0-2,5	11,5
V0610.AC1008	30x20	1,5-3,0	11,5
V0610.AC1013	30x25	1,5	13,0
V0610.AC1015	35x10	1,0-2,0	11,5
V0610.AC1017	35x20	1,0-2,5	11,5
V0610.AC1016	35x15	1,0-3,0	11,5
V0610.AC1018	35x25	1,0-3,0	11,5
V0610.AC1022	40x10	1,5	10,5
V0610.AC1024	40x15	1,0-1,5	12,0
V0610.AC1027	40x20	1,0-2,0	12,0
V0610.AC1030	40x25	1,0-3,0	11,5
V0610.AC1032	40x30	1,0-3,0	12,0
V0610.AC1036	40x35	1,0-3,0	12,0
V0610.AC1037	45x15	1,5-2,0	11,0
V0610.AC1039	45x20	1,5-2,0	11,5
V0610.AC1041	45x25	1,5-2,0	14,0
V0610.AC1042	45x30	1,0-2,5	12,0
V0610.AC1043	45x35	1,0-3,5	12,0
V0610.AC1044	50x10	1,0-1,5	12,0
V0610.AC1046	50x20	1,0-3,0	14,0
V0610.AC1048	50x25	1,5-2,5	14,5
V0610.AC1049	50x30	1,5-2,0	13,5
V0610.AC1051	50x30	3,0	14,0
V0610.AC1053	50x35	1,0-3,5	14,5
V0610.AC1054	50x40	1,5-2,5	12,5
V0610.AC1056	55x34	1,5	14,0
V0610.AC1057	55x40	1,5-4,0	14,5
V0610.AC1058	60x15	1,0-2,0	14,5

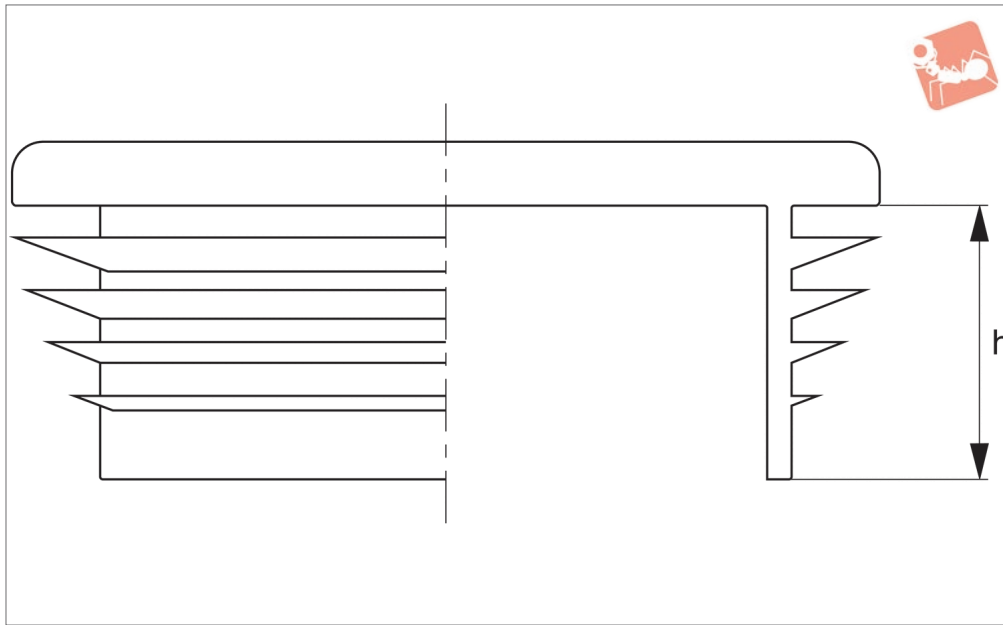


Order No.	External cap dim.	Tube wall thickness	h
V0610.AC1060	60x20	1,0-3,0	14.5
V0610.AC1061	60x25	1,0-2,5	14.0
V0610.AC1063	60x30	1,5-2,0	15.0
V0610.AC1064	60x35	1,5-3,5	15.0
V0610.AC1065	60x40	1,0-3,0	14.0
V0610.AC1066	60x40	4,0-5,0	14.0
V0610.AC1067	60x45	1,5-4,0	15.0
V0610.AC1068	60x50	1,5-3,5	14.5
V0610.AC1069	65x35	1,0-3,0	15.0
V0610.AC1070	70x20	1,0-2,0	17.0
V0610.AC1071	70x25	1,5-2,0	17.0
V0610.AC1072	70x30	1,5-2,0	18.0
V0610.AC1073	70x40	1,5-2,0	18.0
V0610.AC1074	70x40	2,0-5,0	15.0
V0610.AC1077	80x20	1,5-2,0	18.0
V0610.AC1078	80x30	1,0-2,5	14.5
V0610.AC1080	80x30	2,5-4,0	14.5
V0610.AC1082	80x40	1,0-3,0	14.5
V0610.AC1084	80x40	3,2-4,0	24.5
V0610.AC1086	80x50	2,0-4,0	24.0
V0610.AC1087	80x60	2,5-3,0	24.0
V0610.AC1088	80x60	5.0	18.5
V0610.AC1089	100x30	1,5-3,0	15.0
V0610.AC1090	100x40	2,0-4,0	14.5
V0610.AC1094	100x50	2,0-3,0	24.0
V0610.AC1096	100x50	3,2-5,0	24.0
V0610.AC1097	120x30	1,5-2,0	14.5
V0610.AC1098	120x40	2.0	-
V0610.AC1100	120x40	3,0-5,0	21.5
V0610.AC1102	120x60	2,0-4,0	24.5
V0610.AC1105	120x80	2,0-3,0	24.0
V0610.AC1106	120x80	5,0-8,0	25.0
V0610.AC1108	140x80	2,0-4,5	20.0
V0610.AC1109	150x100	3,0-8,0	27.0



**Insert**  
ribbed - oval

**Caps, Plugs,  
Masking and**



**V0620**

CAPS, PLUGS, MASKING AND INSERTS

**Material**

Low density polyethylene, black.

**Important Notes**

Sold subject to minimum pack quantity.

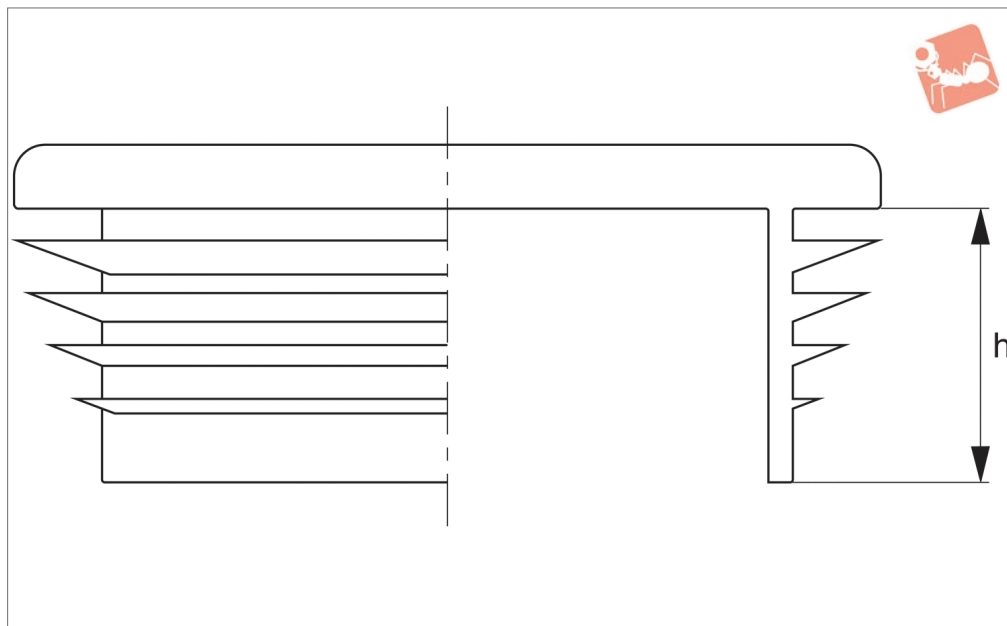
**Technical Notes**

Insert ribs provide secure fitting.

Order No.	External tube dimension a x b	Tube wall thickness	h <sub>1</sub>	h <sub>2</sub>
V0620.AC0001	20x10	2.0	5	10
V0620.AC0003	30x15	1,0-2,5	5	12
V0620.AC0005	35x15	1,2-2,5	5	12
V0620.AC0007	35x20	1,0-3,0	5	12
V0620.AC0009	38x20	1,0-3,0	5	12
V0620.AC0011	40x20	1,0-3,0	5	12
V0620.AC0013	45x20	1,5-3,0	5	12
V0620.AC0015	48x20	1,0-2,5	5	12
V0620.AC0017	50x15	1,0-2,5	5	12
V0620.AC0019	50x20	1,0-3,0	5	12
V0620.AC0021	50x25	1,0-2,5	5	12
V0620.AC0023	50x30	1,0-2,5	5	12
V0620.AC0025	60x20	1,0-2,0	5	13
V0620.AC0027	60x25	1,5-3,0	5	13
V0620.AC0029	60x30	1,0-2,0	5	13



**V0630**



**Material**

Low density polyethylene, black.

**Important Notes**

Sold subject to minimum pack quantity.

**Technical Notes**

insert ribs provide secure fitting.

Order No.	External cap dia.	Tube wall thickness	h
V0630.AC0301	10	1,0-2,0	11,0
V0630.AC0303	12	1,0-2,0	11,0
V0630.AC0305	13	1,0-2,0	11,0
V0630.AC0307	14	1,0-2,0	11,5
V0630.AC0309	15	1,0-2,0	13,0
V0630.AC0311	16	1,0-2,0	11,0
V0630.AC0313	18	1,0-2,0	11,4
V0630.AC0314	19	1,0-2,0	11,4
V0630.AC0315	20	1,0-2,0	11,4
V0630.AC0316	21	1,0-2,0	11,5
V0630.AC0317	22	1,0-2,0	11,5
V0630.AC0318	23	1,0-2,5	11,5
V0630.AC0320	25	1,0-3,0	11,5
V0630.AC0322	27	1,0-3,0	11,5
V0630.AC0323	28	1,0-2,0	11,5
V0630.AC0325	30	1,0-2,0	11,6
V0630.AC0327	32	1,0-2,0	11,5
V0630.AC0328	34	1,0-3,0	11,5
V0630.AC0331	35	1,0-2,0	11,5
V0630.AC0333	36	1,0-2,0	11,5
V0630.AC0336	38	1,0-3,5	11,5
V0630.AC0338	40	1,0-3,0	11,5
V0630.AC0339	42	1,0-2,0	11,5
V0630.AC0340	42	2,0-4,0	11,5
V0630.AC0342	45	1,0-3,5	11,0
V0630.AC0344	48	1,2-3,6	11,5
V0630.AC0345	50	1,0-2,0	11,5
V0630.AC0346	52	1,5-3,5	14,5
V0630.AC0348	55	1,0-3,0	11,5
V0630.AC0350	60	1,5-3,0	18,5
V0630.AC0351	60	3,0-4,0	21,0
V0630.AC0352	65	1,5-3,5	21,0
V0630.AC0353	70	2,0-4,5	21,0
V0630.AC0355	76	1,6-4,0	21,5



## Inserts ribbed - round

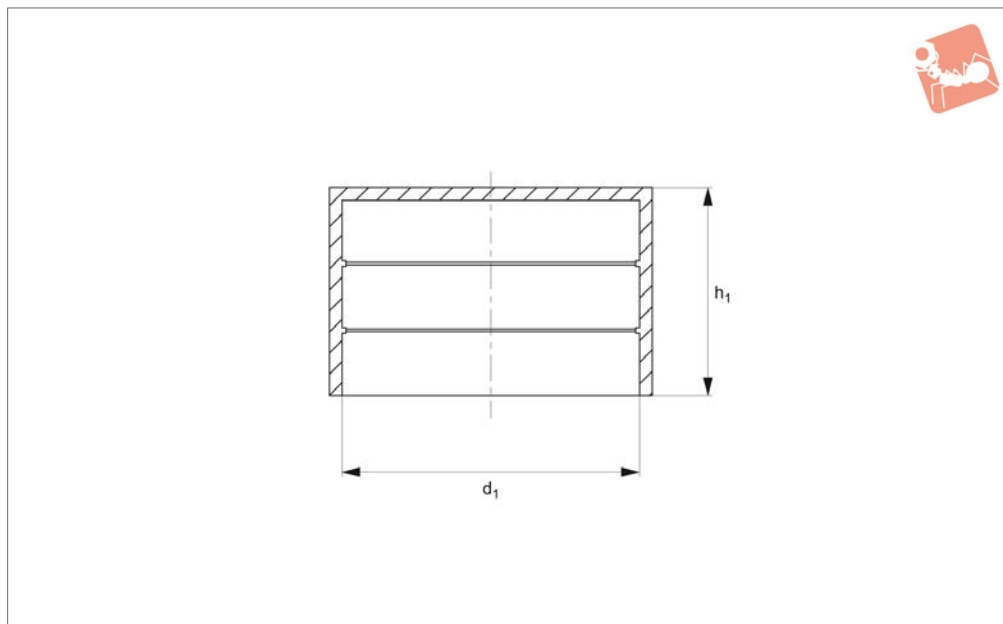


## Caps, Plugs, Masking and

Order No.	External cap dia.	Tube wall thickness	h
V0630.AC0358	80	1,5-3,0	21.0
V0630.AC0359	90	2,5-5,0	19.9
V0630.AC0360	95	1,5-4,0	21.0
V0630.AC0361	102	2,0-4,0	20.2
V0630.AC0362	100	2,0-4,5	28.5
V0630.AC0363	105	2,0-4,5	29.0
V0630.AC0364	110	2,0-4,5	28.5
V0630.AC0365	120	2,0-4,0	28.5



**V0300**



**Material**

Low density polyethylene.  
Natural colour/yellow.

**Important Notes**

Sold subject to minimum pack quantity.

Order No.	Ext. tube dia. $d_1$ mm	Ext. tube dia. inch	$h_1$
V0300.AC0001	4.0	-	22.0
V0300.AC0003	6.0	-	18.0
V0300.AC0005	6.0	-	18.0
V0300.AC0007	6.35	-	18.0
V0300.AC0009	7.0	-	18.0
V0300.AC0011	8.0	-	19.0
V0300.AC0013	9.6	1/8"	18.0
V0300.AC0015	10.0	1/8"	18.0
V0300.AC0017	11.0	-	15.0
V0300.AC0019	12.0	-	18.0
V0300.AC0021	12.7	-	18.0
V0300.AC0023	13.0	1/4"	18.0
V0300.AC0025	13.7	1/4"	18.0
V0300.AC0027	14.0	-	20.0
V0300.AC0029	15.0	-	19.0
V0300.AC0031	15.5	-	19.5
V0300.AC0033	16.0	-	20.0
V0300.AC0035	17.2	3/8"	20.0
V0300.AC0037	18.0	-	20.0
V0300.AC0039	18.5	-	20.0
V0300.AC0041	19.0	-	20.0
V0300.AC0043	20.0	-	20.0
V0300.AC0045	21.3	1/2"	16.0
V0300.AC0047	22.0	-	20.0
V0300.AC0049	23.2	-	19.0
V0300.AC0051	24.0	-	20.0
V0300.AC0055	25.4	-	20.0
V0300.AC0057	26.0	-	20.0
V0300.AC0059	26.9	3/4"	20.0
V0300.AC0061	28.5	-	24.0
V0300.AC0063	30.0	-	25.0
V0300.AC0065	31.8	-	20.0
V0300.AC0067	33.7	1"	20.0
V0300.AC0069	35.0	-	25.0





# Tube End Caps push-fit



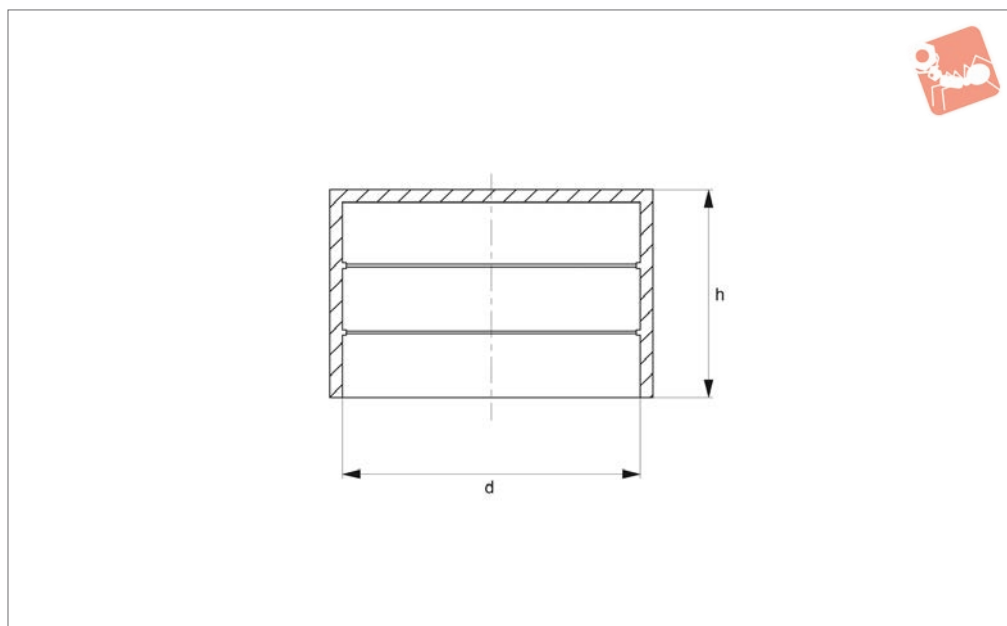
# Caps, Plugs, Masking and

Order No.	Ext. tube dia. d <sub>1</sub> mm	Ext. tube dia. inch	h <sub>1</sub>
V0300.AC0071	38.0	-	20.0
V0300.AC0075	40.0	-	25.0
V0300.AC0077	41.3	-	20.0
V0300.AC0079	42.4	1,1/4"	25.3
V0300.AC0081	44.5	-	25.0
V0300.AC0083	45.4	-	20.0
V0300.AC0085	47.5	-	25.0
V0300.AC0087	48.3	1,1/2"	25.0
V0300.AC0089	51.0	-	27.5
V0300.AC0091	52.0	-	28.0
V0300.AC0093	52.8	-	28.0
V0300.AC0095	54.0	1,3/4"	27.5
V0300.AC0097	55.0	-	29.0
V0300.AC0099	57.0	-	26.5
V0300.AC0101	59.0	-	27.0
V0300.AC0103	60.3	2"	27.0
V0300.AC0105	63.5	-	27.0
V0300.AC0107	65.0	-	35.0
V0300.AC0109	67.0	-	35.0
V0300.AC0111	70.0	-	35.5
V0300.AC0113	73.0	2,1/2"	30.0
V0300.AC0115	75.0	-	28.0
V0300.AC0117	76.0	2,1/2"	30.0
V0300.AC0119	77.0	-	35.0
V0300.AC0121	78.0	-	29.5
V0300.AC0123	80.0	-	29.5
V0300.AC0127	82.0	-	30.0
V0300.AC0129	83.0	2,3/4"	30.0
V0300.AC0131	85.0	-	30.0
V0300.AC0133	88.9	3"	35.0
V0300.AC0135	92.4	-	25.0
V0300.AC0137	95.0	-	37.5
V0300.AC0139	98.0	-	37.5
V0300.AC0141	100.0	-	31.0
V0300.AC0143	101.6	3,1/2"	30.0
V0300.AC0145	103.0	-	35.0
V0300.AC0151	105.0	-	40.0
V0300.AC0153	108.0	-	35.0
V0300.AC0155	110.0	-	38.0
V0300.AC0157	114.3	4"	33.0
V0300.AC0159	116.3	-	38.5
V0300.AC0161	117.5	-	38.5
V0300.AC0163	121.0	-	38.0
V0300.AC0165	125.0	-	35.0
V0300.AC0169	127.0	4,1/2"	35.0
V0300.AC0171	130.0	-	40.0
V0300.AC0173	133.0	-	40.0
V0300.AC0175	136.0	-	40.0
V0300.AC0177	138.0	-	32.5
V0300.AC0179	139.7	5"	33.5
V0300.AC0181	141.3	5"	34.5
V0300.AC0183	146.0	-	40.0
V0300.AC0185	148.0	-	35.0
V0300.AC0189	152.4	5,1/2"	40.0
V0300.AC0191	156.0	-	40.0
V0300.AC0193	159.0	-	37.0
V0300.AC0195	165.0	-	40.0
V0300.AC0197	168.3	6"	38.5
V0300.AC0199	170.0	-	45.0
V0300.AC0201	176.0	-	40.0
V0300.AC0203	177.8	-	40.0
V0300.AC0205	180.0	-	40.0
V0300.AC0207	185.0	-	40.0
V0300.AC0209	190.0	-	40.0
V0300.AC0211	193.7	-	42.0
V0300.AC0213	200.0	-	50.0
V0300.AC0215	210.0	-	40.0
V0300.AC0217	219.1	8"	44.0

CAPS, PLUGS, MASKING AND INSERTS



Order No.	Ext. tube dia. $d_1$ mm	Ext. tube dia. inch	$h_1$
V0300.AC0219	225.0	-	39.0
V0300.AC0221	232.0	-	40.0
V0300.AC0223	242.0	-	50.0
V0300.AC0225	245.0	-	49.0
V0300.AC0227	250.0	-	47.0
V0300.AC0229	267.0	-	43.0
V0300.AC0231	273.0	10"	49.0
V0300.AC0237	323.9	12"	55.0
V0300.AC0239	355.6	14"	56.0
V0300.AC0241	366.0	-	54.0
V0300.AC0243	400.0	-	65.0
V0300.AC0247	406.4	16"	60.5
V0300.AC0249	450.0	-	65.0
V0300.AC0251	457.2	18"	63.0
V0300.AC0253	508.0	20"	65.0
V0300.AC0255	558.8	22"	60.0
V0300.AC0257	609.6	24"	61.0
V0300.AC0259	660.4	26"	115.0
V0300.AC0261	711.2	28"	115.0
V0300.AC0263	762.0	30"	115.0
V0300.AC0265	812.4	32"	115.0
V0300.AC0267	914.4	36"	115.0
V0300.AC0269	1016.0	40"	115.0
V0300.AC0271	1066.8	42"	115.0
V0300.AC0273	1117.6	44"	125.0
V0300.AC0275	1219.2	48"	115.0
V0300.AC0277	1320.8	52"	150.0
V0300.AC0281	1422.4	56"	150.0
V0300.AC0283	1524.0	60"	150.0
V0300.AC0285	1625.6	64"	150.0



V0350

**Material**  
PVC, black.

flexible PVC.

**Technical Notes**

For a wide range of applications, durable a

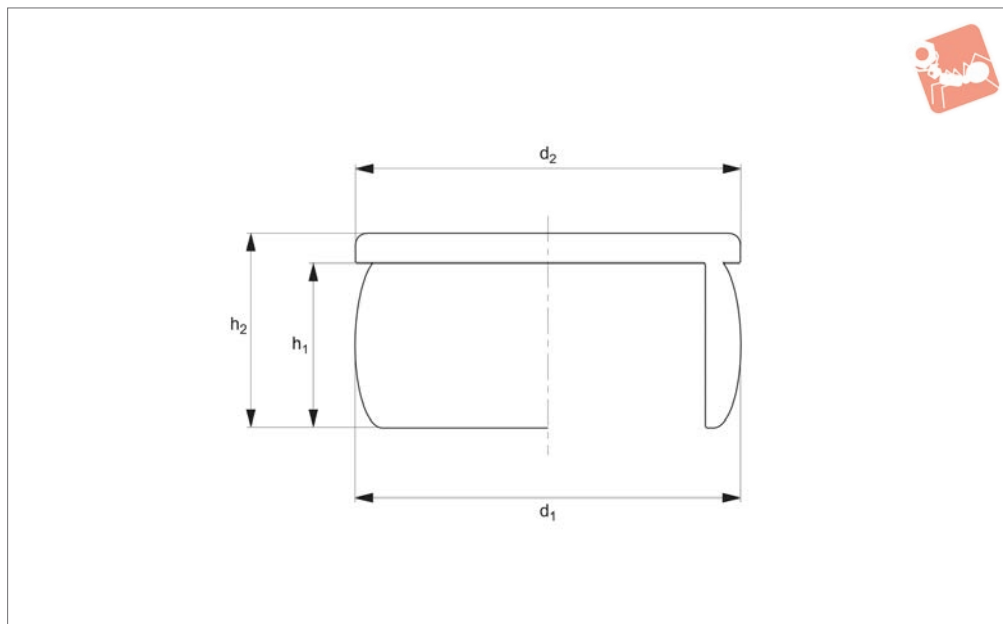
**Important Notes**

Sold subject to minimum pack quantity.

Order No.	External tube dia.	d	h
V0350.AC0250	6.0	6.0	13.0
V0350.AC0252	8.0	8.0	15.5
V0350.AC0254	10,0-11,0	10.0	16.5
V0350.AC0256	12,0-13,0	12.0	19.0
V0350.AC0264	16,0-17,0	16.0	26.0
V0350.AC0266	18.0	18.0	26.0
V0350.AC0268	19.0	19.0	26.0
V0350.AC0270	20.0	20.0	26.5
V0350.AC0272	21.0	21.0	27.5
V0350.AC0274	22,0-23,0	22.0	29.0
V0350.AC0276	24.0	24.0	31.0
V0350.AC0278	25,0-26,0	25.0	31.0
V0350.AC0280	27.0	27.0	31.0
V0350.AC0282	28,0-29,0	28.0	32.0
V0350.AC0284	30,0-31,0	30.0	32.0
V0350.AC0286	32,0-33,0	32.0	32.0
V0350.AC0288	34.0	34.0	33.0
V0350.AC0290	35,0-36,0	35.0	32.5
V0350.AC0292	38,0-39,0	38.0	32.0
V0350.AC0294	40,0-41,0	40.0	34.0
V0350.AC0296	42.0	42.0	32.0
V0350.AC0298	43,0-44,0	43.0	32.0
V0350.AC0300	45,0-46,0	45.0	36.0
V0350.AC0304	48.0	48.0	36.0
V0350.AC0306	49,0-51,0	49.0	36.0
V0350.AC0308	54,0-55,0	54.0	39.0
V0350.AC0310	59,0-60,0	59.0	36.0
V0350.AC0312	63,0-64,0	63.0	37.0
V0350.AC0314	69,0-70,0	69.0	37.0
V0350.AC0316	75,0-76,0	75.0	39.0
V0350.AC0318	90,0-91,0	90.0	39.0



**V0100**



**Material**

PVC, natural colour

ensures good fit.

**Technical Notes**

Wide range of applications. Barrel shape

**Important Notes**

Sold subject to minimum pack quantity.

Order No.	To fit thread	$d_1$	$d_2$	$h_1$	$h_2$
V0100.AC0500	M8x1	7.3	14	6.0	8.0
V0100.AC0502	M10	9.3	14	4.5	6.5
V0100.AC0504	1/8" BSP	9.3	16	6.8	8.3
V0100.AC0506	M12x1,5	10.7	14	5.5	7.5
V0100.AC0508	M14	11.9	16	7.0	9.0
V0100.AC0510	M14x1,5	12.8	20	7.8	10.3
V0100.AC0512	-	13.7	20	8.0	10.0
V0100.AC0514	M18	15.6	20	8.0	10.0
V0100.AC0516	-	17.0	22	8.2	10.8
V0100.AC0518	1/2" BSP	19.3	25	8.0	10.5
V0100.AC0520	M22x1,5	20.5	30	10.7	13.2
V0100.AC0522	5/8" BSP	21.2	25	7.5	9.5
V0100.AC0524	M24x2,0	22.4	28	9.0	12.0
V0100.AC0526	3/4" BSP	24.6	28	9.0	12.0
V0100.AC0528	M27x1,5	25.5	28	7.5	9.5
V0100.AC0530	M28x1,5	26.5	28	9.0	12.0
V0100.AC0532	7/8" BSP	30.5	36	12.0	15.0
V0100.AC0534	M33x1,5 / 1" BSP	31.8	36	10.0	12.5
V0100.AC0536	M35x1,5	33.5	36	12.0	15.0

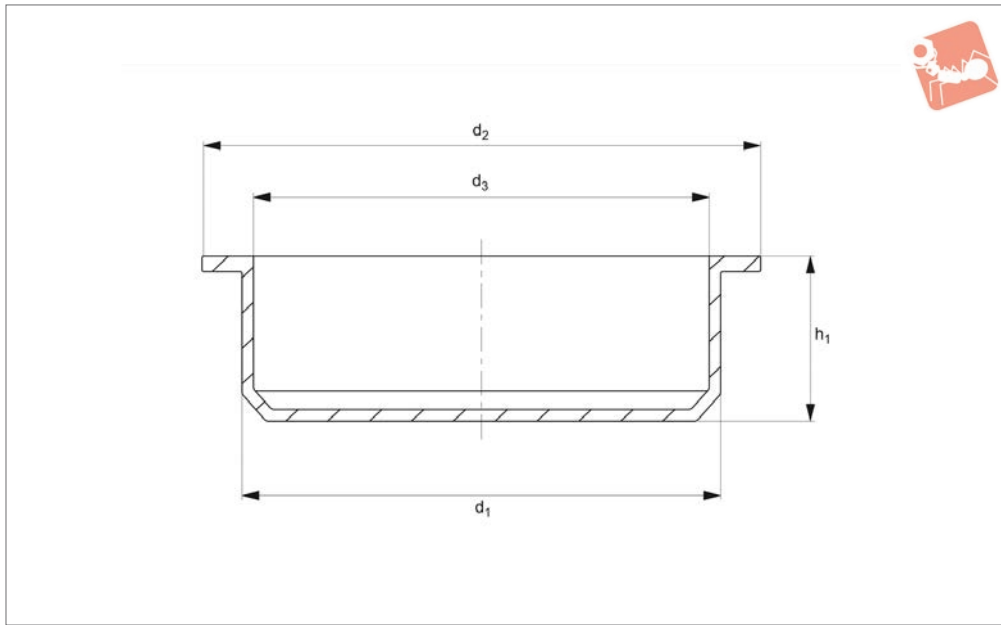


# Parallel Protection Plug

push fit



Caps, Plugs,  
Masking and



**V0120**

CAPS, PLUGS, MASKING AND INSERTS

### Material

Polyethylene, natural colour.

cations.

### Technical Notes

General purpose for a wide range of appli-

### Important Notes

Sold subject to minimum pack quantity.

Order No.	$d_1$	$d_2$	$d_3$	$h_1$	Thread	Thread inch
V0120.AC0001	3.0	6.5	2.0	5.2	-	-
V0120.AC0003	3.5	6.9	2.0	5.5	M 4	-
V0120.AC0005	4.0	7.5	3.0	6	-	-
V0120.AC0007	4.5	8.0	3.5	6.0	M 5	-
V0120.AC0009	5.0	9.0	4.0	7.0	M 6	-
V0120.AC0011	5.5	9.0	4.5	7.0	-	-
V0120.AC0013	6.0	9.5	5.0	7.0	-	-
V0120.AC0015	6.5	9.9	5.5	8.0	-	-
V0120.AC0017	7.0	10.0	6.0	7.2	M 8	-
V0120.AC0019	7.5	10.5	6.3	7.5	-	-
V0120.AC0021	8.0	11.3	7.0	7.8	-	-
V0120.AC0023	8.5	11.5	7.5	8.7	M10	-
V0120.AC0025	9.0	11.8	8.0	8.6	-	1/8"
V0120.AC0027	9.5	12.3	8.5	8.2	-	-
V0120.AC0029	10.0	12.8	9.0	9.0	-	-
V0120.AC0031	10.5	13.5	9.5	8.8	M12	-
V0120.AC0033	11.0	14.0	10.0	9.0	-	-
V0120.AC0035	11.5	14.5	10.5	9.0	-	-
V0120.AC0037	12.0	15.3	11.0	9.2	-	1/4"
V0120.AC0039	12.5	15.7	11.5	9.2	M14	-
V0120.AC0041	13.0	16.3	12.0	10.0	-	-
V0120.AC0043	13.5	16.5	12.5	10.0	-	-
V0120.AC0045	14.0	17.0	13.0	10.2	-	-
V0120.AC0047	14.5	17.5	13.5	10.2	M16	-
V0120.AC0049	15.0	18.4	14.0	10.2	-	-
V0120.AC0051	15.5	19.3	14.5	10.2	-	3/8"
V0120.AC0053	16.0	20.0	15.0	11.0	M18	-
V0120.AC0055	16.5	20.7	15.5	11.0	-	-
V0120.AC0057	17.0	20.2	16.0	11.0	-	-
V0120.AC0059	17.5	20.7	16.5	11.0	-	-
V0120.AC0061	18.0	21.5	17.0	11.0	M20	-
V0120.AC0063	18.5	23.0	17.5	11.0	-	-
V0120.AC0065	19.0	22.7	18.0	11.2	-	1/2"
V0120.AC0067	19.5	23.5	18.5	11.7	-	-



CAPS, PLUGS, MASKING AND INSERTS

Order No.	d <sub>1</sub>	d <sub>2</sub>	d <sub>3</sub>	h <sub>1</sub>	Thread	Thread inch
V0120.AC0069	20.0	23.5	19.0	11.7	M22	-
V0120.AC0071	20.5	24.5	19.5	11.7	-	-
V0120.AC0073	21.0	25.0	20.0	11.8	-	5/8"
V0120.AC0075	21.5	25.5	20.0	12.0	M24	-
V0120.AC0077	22.0	26.4	20.8	12.0	-	-
V0120.AC0081	23.0	27.0	21.5	12.2	-	-
V0120.AC0085	24.0	28.0	22.5	12.0	-	-
V0120.AC0089	25.0	30.0	23.5	12.0	M27	3/4"
V0120.AC0093	26.0	30.9	24.5	11.6	-	-
V0120.AC0095	26.5	30.4	25.0	11.5	-	-
V0120.AC0097	27.0	31.0	25.2	10.4	M30	-
V0120.AC0101	28.0	31.3	26.0	11.5	-	-
V0120.AC0105	29.0	32.0	27.0	10.5	-	7/8"
V0120.AC0109	30.0	33.0	28.0	10.8	M33	-
V0120.AC0113	31.0	35.0	29.0	11.8	-	1"
V0120.AC0117	32.0	36.9	30.0	11.6	-	-
V0120.AC0119	32.5	37.4	30.5	11.6	M36	-
V0120.AC0123	33.0	37.7	31.0	11.4	-	-
V0120.AC0127	34.0	38.5	32.0	11.7	-	-
V0120.AC0131	35.0	40.0	33.0	11.4	-	-
V0120.AC0135	36.0	41.2	34.0	12.0	M39	-
V0120.AC0139	37.0	41.6	35.0	11.5	-	-
V0120.AC0143	38.0	42.0	36.0	11.5	M42	-
V0120.AC0147	39.0	43.8	37.0	11.3	-	-
V0120.AC0151	40.0	44.5	38.0	11.5	-	1,1/4"
V0120.AC0155	41.0	45.7	39.0	11.5	-	-
V0120.AC0159	42.0	47.0	40.0	11.3	-	-
V0120.AC0163	43.0	47.5	41.0	11.8	-	-
V0120.AC0167	44.0	48.6	42.0	11.3	-	-
V0120.AC0170	45.0	50.6	43.0	11.7	-	-
V0120.AC0175	46.0	50.6	44.0	11.3	-	1,1/2"
V0120.AC0179	47.0	51.3	45.0	11.3	-	-
V0120.AC0183	48.0	53.2	46.0	11.5	-	-
V0120.AC0187	49.0	53.7	47.0	11.5	-	-
V0120.AC0191	50.0	54.1	48.0	11.0	-	-
V0120.AC0195	51.0	54.5	49.0	10.8	-	-
V0120.AC0199	52.0	60.0	50.0	12.0	-	-
V0120.AC0203	53.0	59.0	51.0	11.9	-	-
V0120.AC0207	54.0	60.5	52.0	12.0	-	-
V0120.AC0211	55.0	61.2	53.0	12.0	-	-
V0120.AC0215	56.0	62.4	54.0	13.0	-	-
V0120.AC0219	57.0	60.2	55.0	10.8	-	-
V0120.AC0223	58.0	64.6	56.0	11.7	-	-
V0120.AC0227	59.0	66.7	57.0	10.7	-	-
V0120.AC0231	60.0	67.3	58.0	12.0	-	-
V0120.AC0235	61.0	67.1	59.0	12.5	-	-
V0120.AC0239	62.0	68.7	60.0	12.2	-	-
V0120.AC0243	63.0	66.5	61.0	11.0	-	-
V0120.AC0245	63.5	69.5	61.0	11.5	-	-
V0120.AC0247	64.0	67.2	62.0	10.7	-	-
V0120.AC0251	65.0	68.7	63.0	11.5	-	-
V0120.AC0255	66.0	71.5	64.0	11.7	-	-
V0120.AC0259	67.0	73.0	65.0	11.5	-	-
V0120.AC0263	68.0	74.2	66.0	11.8	-	-
V0120.AC0267	69.0	75.0	67.0	11.9	-	-
V0120.AC0271	70.0	74.2	68.0	12.1	-	-
V0120.AC0275	71.0	75.0	69.0	12.5	-	-
V0120.AC0279	72.0	79.0	70.0	13.0	-	-
V0120.AC0283	73.0	76.5	71.0	12.0	-	-
V0120.AC0287	74.0	77.0	72.0	11.8	-	-
V0120.AC0291	75.0	78.5	72.5	11.2	-	-
V0120.AC0295	76.0	78.8	74.0	11.5	-	-
V0120.AC0299	77.0	80.5	75.0	11.0	-	-
V0120.AC0303	78.0	81.7	76.0	11.7	-	-
V0120.AC0307	79.0	82.0	77.0	11.0	-	-
V0120.AC0311	80.0	83.5	78.0	10.7	-	-
V0120.AC0315	81.0	84.0	79.0	10.7	-	-
V0120.AC0319	82.0	85.5	80.0	10.5	-	-



# Parallel Protection Plug push fit



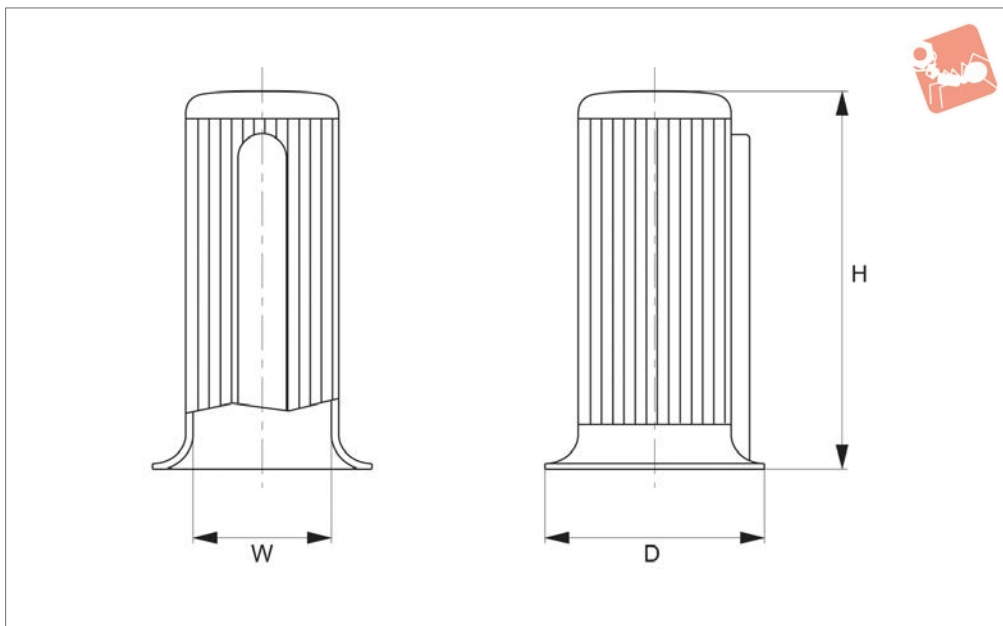
## Caps, Plugs, Masking and

Order No.	d <sub>1</sub>	d <sub>2</sub>	d <sub>3</sub>	h <sub>1</sub>	Thread	Thread inch
V0120.AC0323	83.0	86.0	81.0	10.7	-	-
V0120.AC0327	84.0	90.0	82.0	12.0	-	-
V0120.AC0329	84.5	90.0	82.0	9.2	-	-
V0120.AC0331	85.0	89.0	83.0	11.0	-	-
V0120.AC0335	86.0	89.0	83.5	11.0	-	-
V0120.AC0339	86.5	90.0	84.0	11.0	-	-
V0120.AC0343	87.0	90.0	85.0	10.7	-	-
V0120.AC0347	88.0	91.0	86.0	10.5	-	-
V0120.AC0351	89.0	92.5	87.0	12.0	-	-
V0120.AC0355	90.0	93.5	88.0	11.0	-	-
V0120.AC0359	91.0	94.3	89.0	11.0	-	-
V0120.AC0363	92.0	95.8	90.0	10.8	-	-
V0120.AC0367	93.0	95.6	91.0	10.8	-	-
V0120.AC0371	94.0	97.5	92.0	10.7	-	-
V0120.AC0375	95.0	97.8	93.0	10.7	-	-
V0120.AC0379	96.0	99.5	94.0	10.8	-	-
V0120.AC0383	97.0	100.1	95.0	10.7	-	-
V0120.AC0387	98.0	101.8	96.0	10.8	-	-
V0120.AC0391	99.0	102.5	97.0	10.7	-	-
V0120.AC0395	100.0	104.5	98.0	11.5	-	-

CAPS, PLUGS, MASKING AND INSERTS



**V0200**



**Material**

Low density polyethylene, yellow.

**Important Notes**

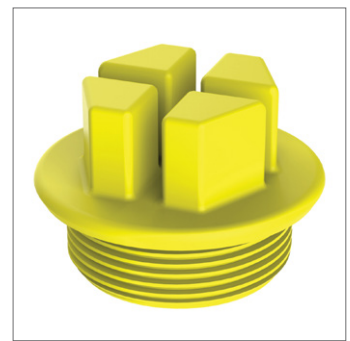
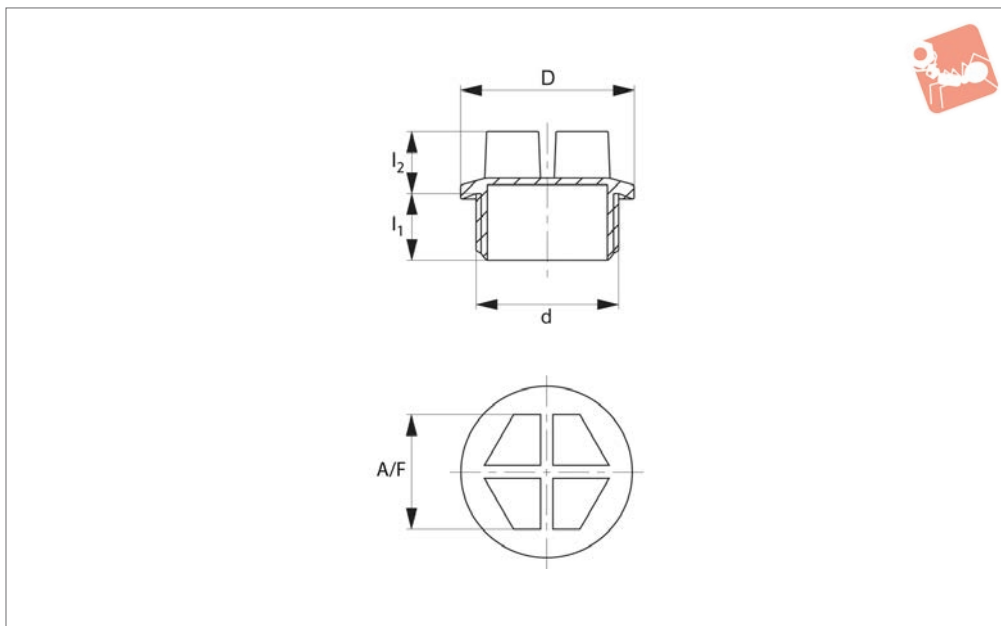
Sold subject to minimum pack quantity.

**Technical Notes**

For protection of drive shafts to DIN 748.

Order No.	w	d	h
V0200.AC0251	9.0	14.5	24.0
V0200.AC0253	11.0	17.5	27.5
V0200.AC0255	14.0	22.5	35.0
V0200.AC0257	15.0	25.5	32.0
V0200.AC0259	16.0	25.5	47.0
V0200.AC0261	19.0	30.5	47.0
V0200.AC0263	20.0	32.0	58.5
V0200.AC0265	22.0	35.5	58.5
V0200.AC0267	24.0	38.5	58.5
V0200.AC0269	25.0	40.0	70.0
V0200.AC0271	28.0	45.0	70.0
V0200.AC0273	30.0	48.0	93.5
V0200.AC0275	32.0	51.0	93.5
V0200.AC0277	35.0	56.0	93.5
V0200.AC0279	38.0	61.0	93.5
V0200.AC0281	42.0	67.0	127.5
V0200.AC0283	45.0	72.0	117.5
V0200.AC0285	48.0	77.0	127.5
V0200.AC0287	55.0	88.0	127.5
V0200.AC0289	60.0	96.0	164.0
V0200.AC0291	65.0	104.0	164.0
V0200.AC0293	75.0	112.0	164.0





V0400

CAPS, PLUGS, MASKING AND INSERTS

**Material**

Polyamide, yellow.

spanner.

**Technical Notes**

Threaded for installation via screwdriver or

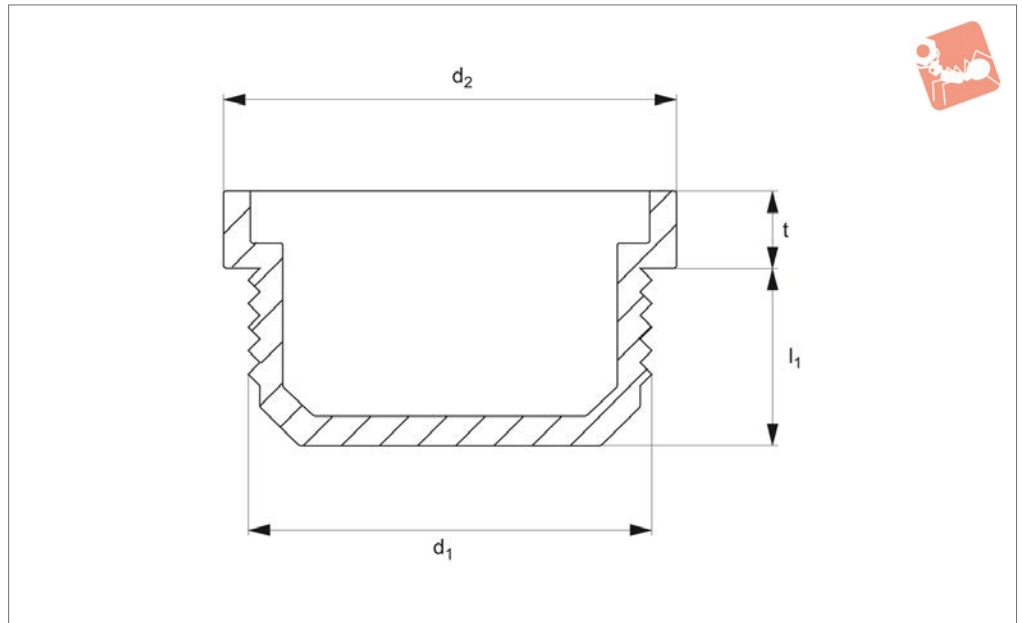
**Important Notes**

Sold subject to minimum pack quantity.

Order No.	d <sub>1</sub>	l <sub>1</sub>	l <sub>2</sub>	A/F	d <sub>2</sub>
V0400.AC0881	14,2 - 0,2	7	10	10	M10
V0400.AC0883	17,2 - 0,2	10	10	13	M12
V0400.AC0885	19,2 - 0,2	10	10	13	M14
V0400.AC0887	22,0 - 0,2	10	10	17	M16
V0400.AC0889	24,0 - 0,2	10	11	17	M18
V0400.AC0891	26,0 - 0,2	10	14	19	M20
V0400.AC0893	27,2 - 0,2	10	14	19	M22
V0400.AC0895	32,0 - 0,3	13	14	24	M26
V0400.AC0897	32,3 - 0,3	13	14	24	M27
V0400.AC0899	40,0 - 0,4	13	14	27	M33
V0400.AC0901	50,0 - 0,4	13	15	36	M42
V0400.AC0949	16,8	9	10	13	1/8"
V0400.AC0951	19,0 - 0,2	9	10	13	1/4"
V0400.AC0953	22,2 - 0,2	9	11	17	3/8"
V0400.AC0955	27,0 - 0,2	12	13	19	1/2"
V0400.AC0957	32,3 - 0,3	12	13	24	3/4"
V0400.AC0959	40,0 - 0,4	15	14	27	1"
V0400.AC0961	50,0 - 0,4	15	15	36	1 1/4"
V0400.AC0963	55,4 - 0,4	15	15	41	1 1/2"
V0400.AC0965	68,4	15	15	55	2"



V0440



CAPS, PLUGS, MASKING AND INSERTS

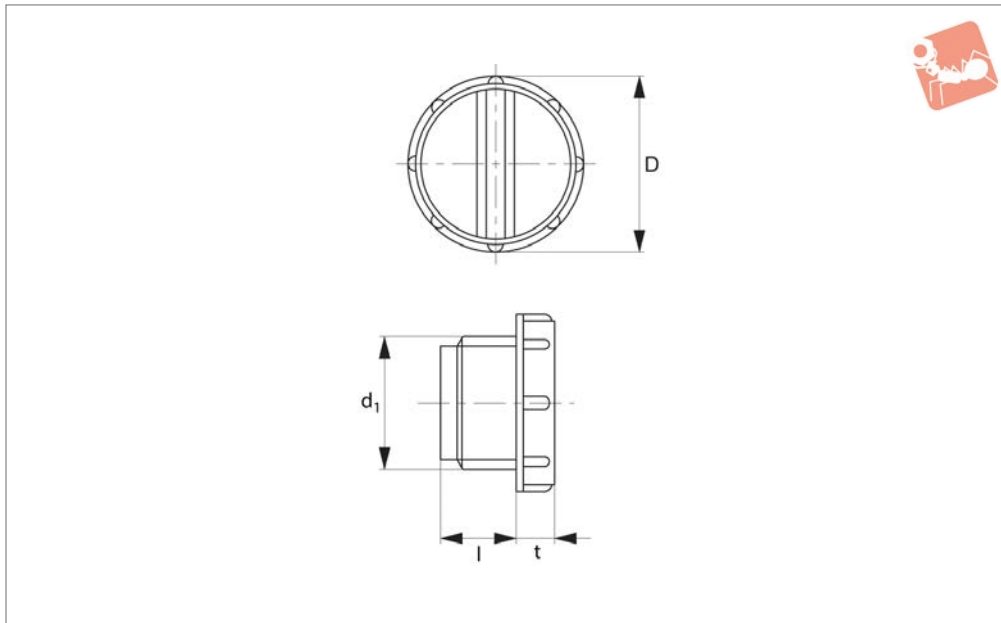
**Material**

Low density polyethylene, red.

**Important Notes**

Sold subject to minimum pack quantity.

Order No.	d <sub>1</sub>	l <sub>1</sub>	t	d <sub>2</sub>
V0440.AC0851	1/4"	7.0	3.5	19.0
V0440.AC0853	3/8"	8.5	3.5	22.5
V0440.AC0855	1/2"	10.0	4.5	26.0
V0440.AC0857	3/4"	11.5	6.0	32.0
V0440.AC0859	1"	13.5	6.0	37.0



### V0420

CAPS, PLUGS, MASKING AND INSERTS

#### Material

Low density polyethylene, yellow.

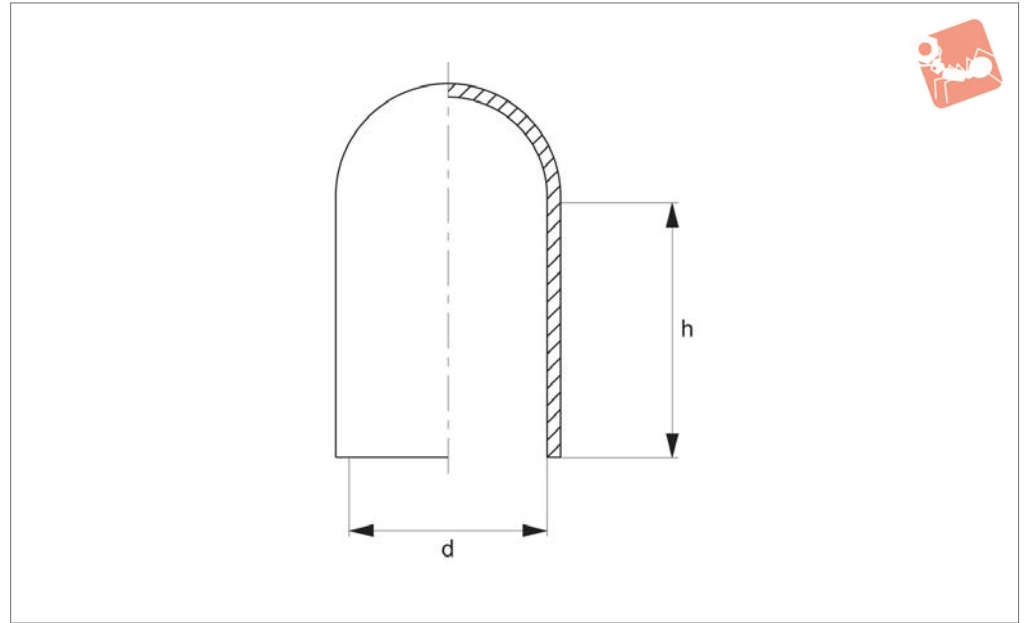
#### Important Notes

Sold subject to minimum pack quantity.

Order No.	d <sub>1</sub>	l	t	d <sub>2</sub>
V0420.AC0781	21	9	5	1/8"
V0420.AC0783	21	9	5	1/4"
V0420.AC0785	23	10	6	3/8"
V0420.AC0787	28	12	6	1/2"
V0420.AC0801	21	9	5	M12
V0420.AC0803	21	9	5	M14
V0420.AC0805	23	10	6	M16
V0420.AC0807	23	10	6	M18
V0420.AC0809	28	12	6	M20
V0420.AC0811	28	12	6	M22



**V0500**



**Material**

Silicone, natural.  
Temperature resistant to +300°C.

of components during powder coating and other finishing processes.

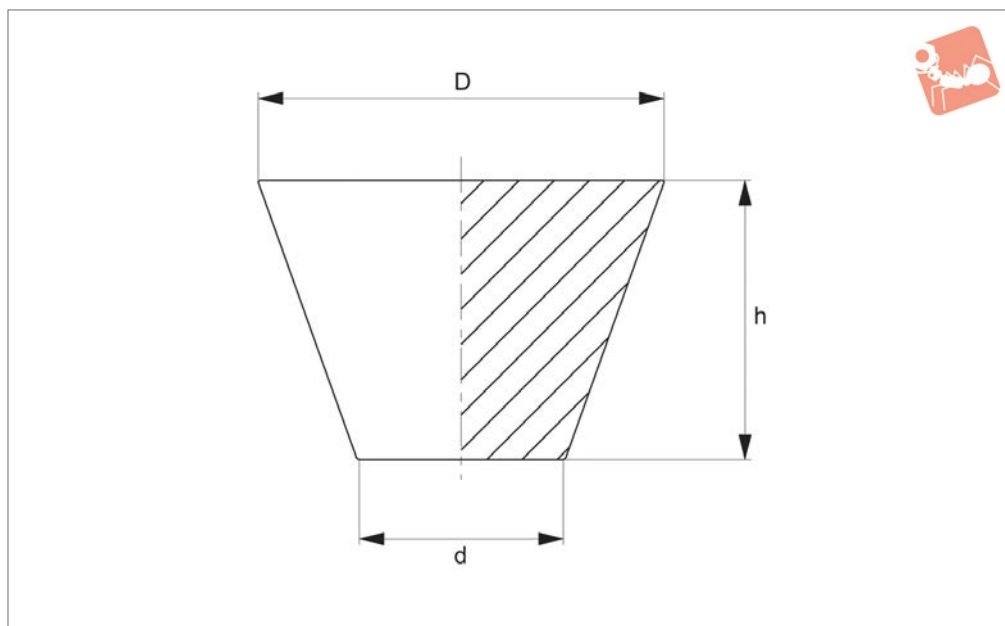
**Technical Notes**

To fit on studs, screws or tubes for masking

**Important Notes**

Sold subject to minimum pack quantity.

Order No.	d	h
V0500.AC0501	1.8	25.4
V0500.AC0503	2.5	25.4
V0500.AC0505	3.8	25.4
V0500.AC0507	4.6	25.4
V0500.AC0509	5.7	38.1
V0500.AC0511	7.5	38.1
V0500.AC0512	7.9	25.4
V0500.AC0513	9.5	25.4
V0500.AC0515	11.6	38.1
V0500.AC0517	13.6	38.1
V0500.AC0519	15.9	38.1
V0500.AC0521	19.1	38.1
V0500.AC0522	20.6	38.1
V0500.AC0523	23.8	38.1



### V0505

CAPS, PLUGS, MASKING AND INSERTS

#### Material

Silicone, natural.  
Temperature resistant to +300°C.

wide range of finishing processes such as spraying, over painting etc.

#### Technical Notes

Plugging of plain or threaded holes for

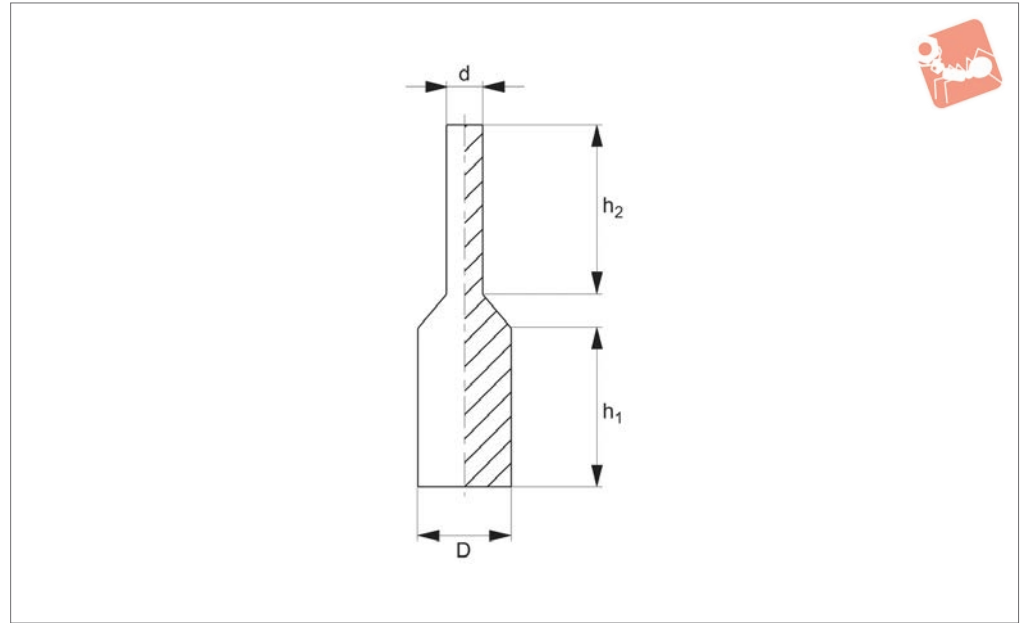
#### Important Notes

Sold subject to minimum pack quantity.

Order No.	$d_1$	$h$	$d_2$
V0505.AC0531	0.8	15.9	3.2
V0505.AC0533	1.6	15.9	4.8
V0505.AC0535	3.2	19.1	6.4
V0505.AC0537	4.8	15.9	8.7
V0505.AC0539	6.4	19.1	9.5
V0505.AC0540	7.9	25.4	14.3
V0505.AC0541	8.7	17.5	11.1
V0505.AC0543	10.3	25.4	15.1
V0505.AC0545	12.7	25.4	16.7
V0505.AC0547	14.3	25.4	19.1
V0505.AC0549	15.9	25.4	19.8
V0505.AC0551	18.3	25.4	23.8
V0505.AC0553	19.8	25.4	25.4



V0510



**Material**

Silicone, natural.  
Temperature resistant to +300°C.

out tab improves ease of removal after finishing process.

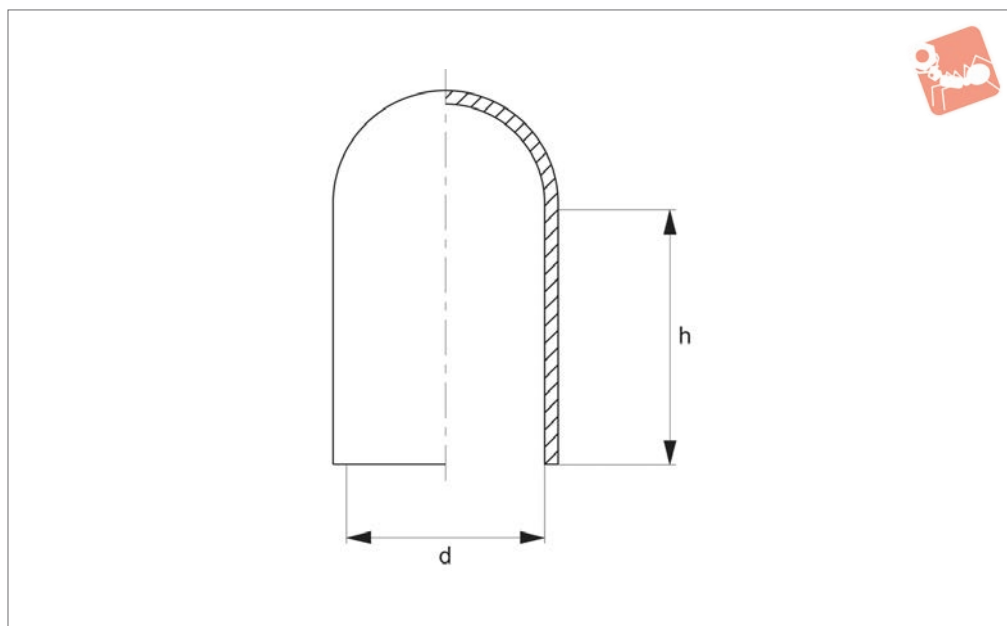
**Technical Notes**

For masking plain or threaded holes. Pull

**Important Notes**

Sold subject to minimum pack quantity.

Order No.	d <sub>1</sub>	d <sub>2</sub>	h <sub>1</sub>	h <sub>2</sub>
V0510.AC0102	1.7	1.2	15.9	15.5
V0510.AC0106	2.4	1.3	17.8	17.8
V0510.AC0114	3.2	1.6	15.9	15.9
V0510.AC0122	4.0	1.6	15.9	19.1
V0510.AC0124	5.0	2.8	25.4	25.4
V0510.AC0130	6.5	3.3	25.4	25.4
V0510.AC0132	8.5	3.9	25.4	25.4
V0510.AC0138	10.2	4.0	25.4	25.4
V0510.AC0140	12.0	6.2	25.4	25.4
V0510.AC0142	13.5	6.4	25.4	25.4
V0510.AC0146	15.5	6.4	25.4	25.4



### V0550

#### Material

EPDM, black.

Temperature resistant to +180°C.

of components during powder coating and other finishing processes.

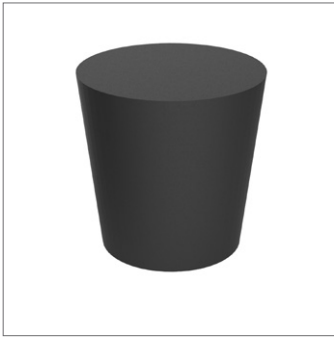
#### Important Notes

Sold subject to minimum pack quantity.

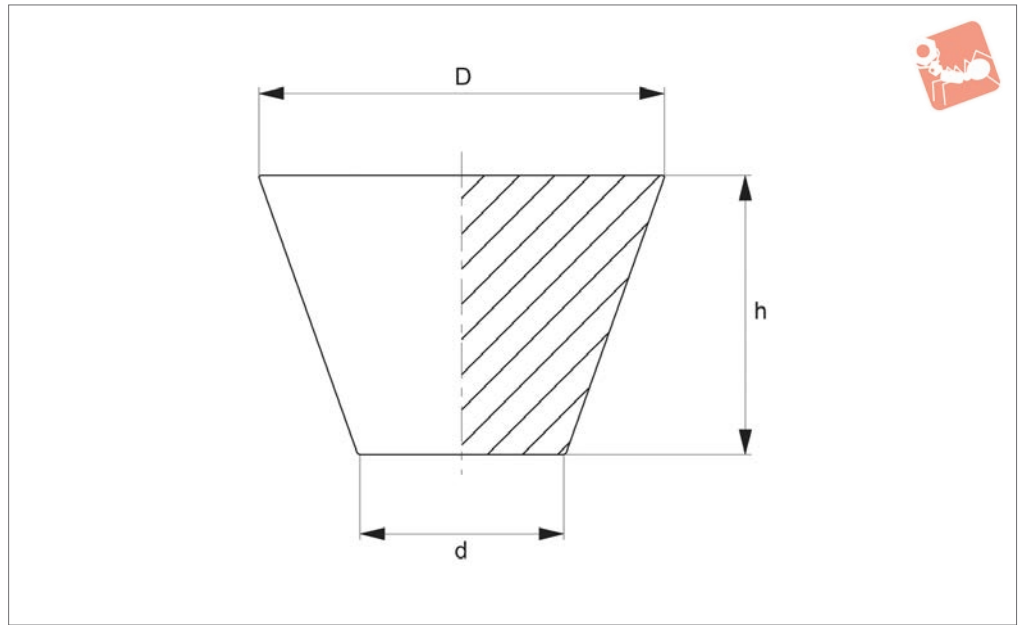
#### Technical Notes

To fit on studs, screws or tubes for masking

Order No.	d	h
V0550.AC0621	1.6	19.1
V0550.AC0625	2.5	12.7
V0550.AC0627	2.8	19.1
V0550.AC0629	3.8	19.1
V0550.AC0631	3.8	25.4
V0550.AC0633	4.0	25.4
V0550.AC0635	4.4	25.4
V0550.AC0637	4.8	25.4
V0550.AC0641	5.7	25.4
V0550.AC0643	5.9	25.4
V0550.AC0645	7.9	25.4
V0550.AC0647	9.5	25.4
V0550.AC0649	11.6	25.4
V0550.AC0651	13.6	38.1
V0550.AC0653	15.9	38.1
V0550.AC0655	19.1	38.1
V0550.AC0657	20.6	38.1
V0550.AC0659	23.8	38.1
V0550.AC0661	25.4	38.1



**V0555**



**Material**

EPDM, black.

Temperature resistant to +180°C.

wide range of finishing processes such as spraying, over painting etc.

**Technical Notes**

Plugging of plain or threaded holes for

**Important Notes**

Sold subject to minimum pack quantity.

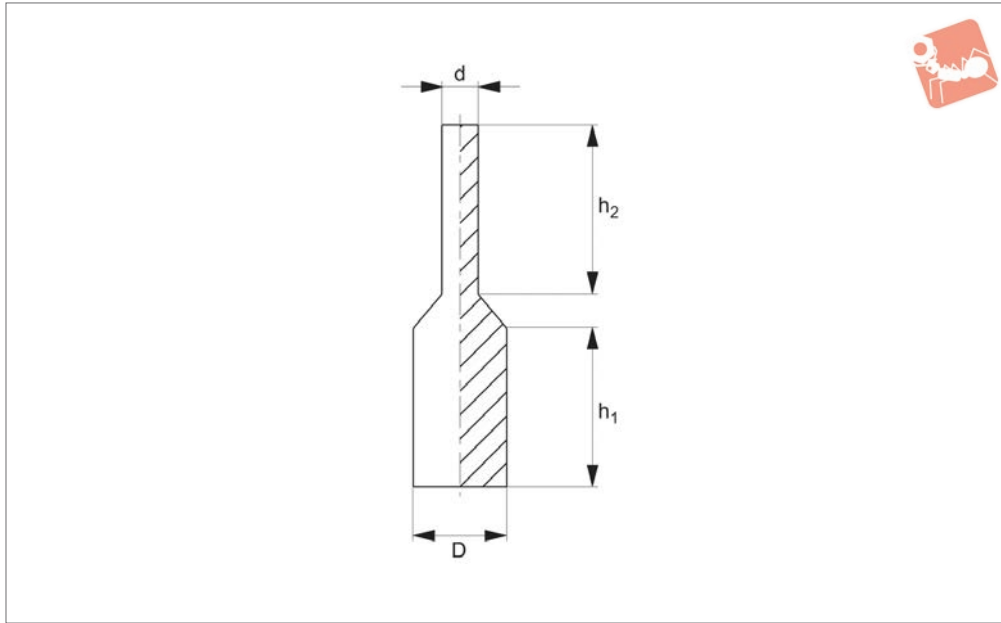
Order No.	d <sub>1</sub>	h	d <sub>2</sub>
V0555.AC0841	0.8	15.9	3.2
V0555.AC0843	1.6	15.9	4.8
V0555.AC0845	3.2	19.1	6.4
V0555.AC0847	4.8	15.9	8.7
V0555.AC0849	6.4	19.1	9.5
V0555.AC0851	8.7	20.6	11.9
V0555.AC0853	10.3	25.4	15.1
V0555.AC0855	11.1	25.4	17.5
V0555.AC0857	14.3	25.4	19.1
V0555.AC0859	15.9	25.4	19.8
V0555.AC0861	18.3	25.4	23.8
V0555.AC0863	19.8	25.4	25.4





# High Temperature Pull Plugs EPDM

Caps, Plugs,  
Masking and



## V0560

CAPS, PLUGS, MASKING AND INSERTS

### Material

EPDM, black.

Temperature resistant to +180°C.

out tab improves ease of removal after finishing process.

### Technical Notes

For masking plain or threaded holes. Pull

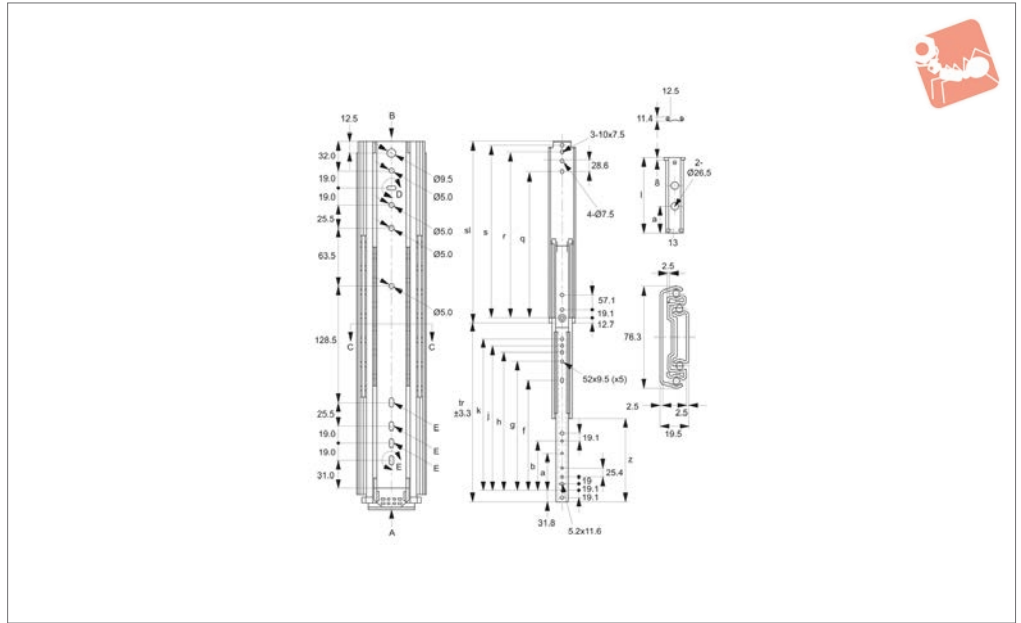
### Important Notes

Sold subject to minimum pack quantity.

Order No.	d <sub>1</sub>	d <sub>2</sub>	h <sub>1</sub>	h <sub>2</sub>
V0560.AC0200	1.7	1.2	15.9	15.5
V0560.AC0202	2.4	1.3	17.8	17.8
V0560.AC0204	3.2	1.6	15.9	15.9
V0560.AC0206	4.0	1.6	15.9	19.1
V0560.AC0208	5.0	2.8	25.4	25.4
V0560.AC0210	6.5	3.3	25.4	25.4
V0560.AC0212	8.5	3.9	25.4	25.4
V0560.AC0214	10.2	4.0	25.4	25.4
V0560.AC0216	12.0	6.2	25.4	25.4
V0560.AC0218	13.5	6.4	25.4	25.4
V0560.AC0220	15.5	6.4	25.4	25.4



P2000



FULL EXTENSION

**Material**

Cold rolled steel, zinc plated.

tested to 40,000 usage cycles.

holes. **Sold individually as single slides.**

**Technical Notes**

Positive stop. These slides have been

**Important Notes**

Load capacity is static load per pair, at the centre of the rails using all mounting

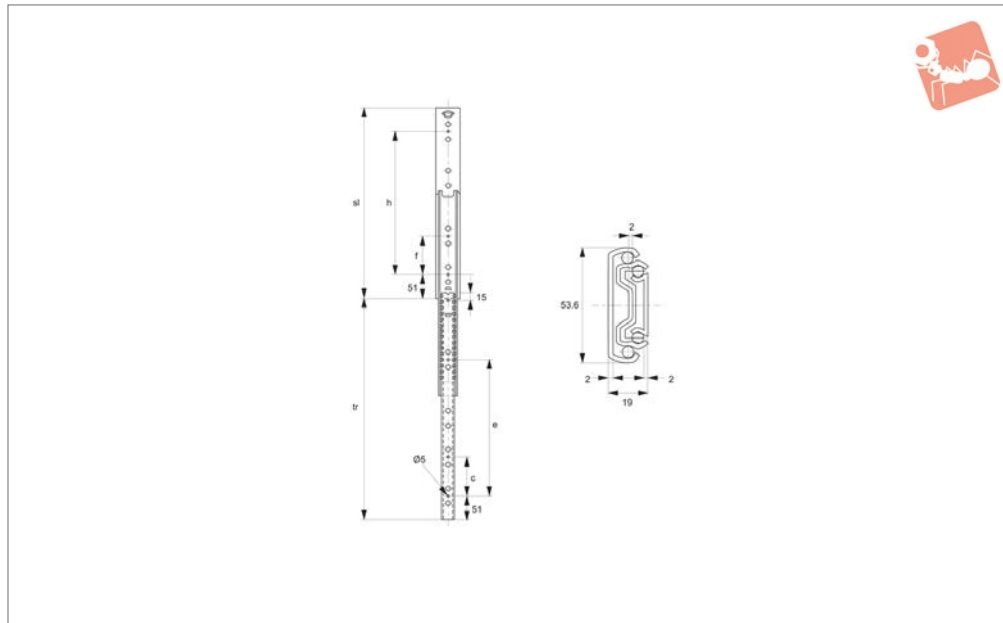
Order No.	Slide length sl	Slide travel tr ±3.3	a	b	f	g	h	j	k	q	R	s	Load/pair kg max.	Weight g
P2000.AC0025	254	254	-	-	-	103	128	147	166	152	209	228	200	1275
P2000.AC0030	304	304	-	-	-	153	179	198	217	203	260	279	200	1525
P2000.AC0035	355	355	-	-	-	204	230	249	268	254	311	330	200	1775
P2000.AC0040	406	406	127	-	-	255	280	299	319	304	361	381	200	2025
P2000.AC0047	457	457	127	-	246	306	331	350	369	355	412	431	200	2275
P2000.AC0050	508	508	127	190	296	357	382	401	420	406	463	482	200	2525
P2000.AC0055	558	558	127	190	347	407	433	452	471	457	514	533	200	2775
P2000.AC0060	608	608	127	190	398	458	484	503	522	508	565	584	200	3025
P2000.AC0066	660	660	127	190	449	509	534	553	573	558	615	635	200	3275
P2000.AC0071	711	711	127	190	500	560	585	604	623	609	666	685	200	3525



# Drawer Slide - Full Extension

80 Kg load per pair

Full Extension



**P2100**

FULL EXTENSION

**Material**

Cold rolled steel, zinc plated.

stop. These slides have been tested to 80,000 usage cycles.

centre of the rails using all mounting holes. **Sold individually as single slides.**

**Technical Notes**

Hold-in detent when slide closed. Positive

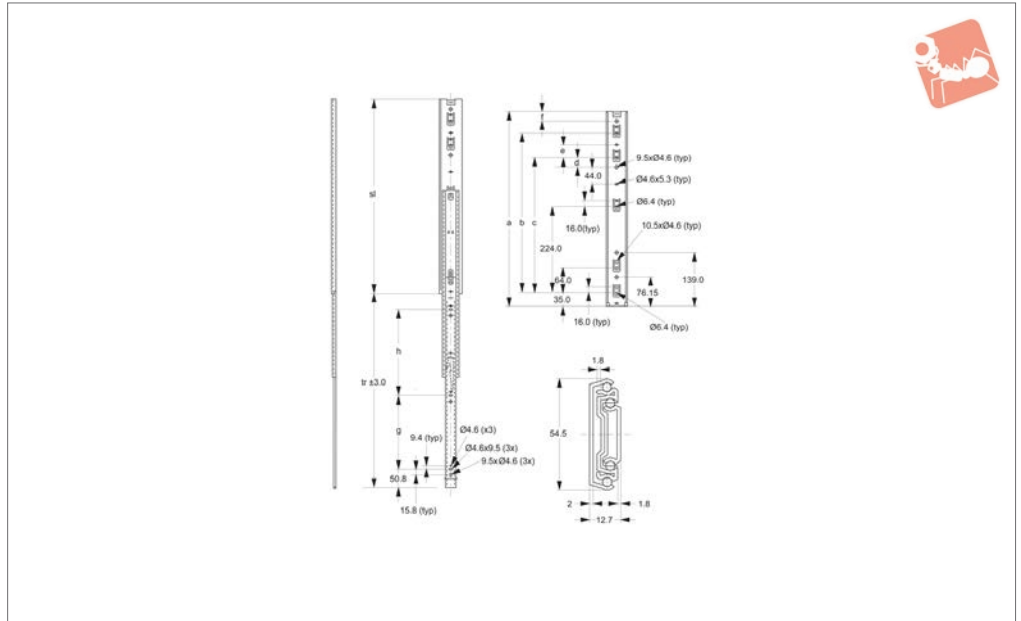
**Important Notes**

Load capacity is static load per pair, at the

Order No.	Slide length sl	Slide travel tr	c	e	f	h	Load/pair kg max.	Weight g
P2100.AC0030	300	328	-	160	-	160	80	900
P2100.AC0035	350	375	-	224	-	224	80	1000
P2100.AC0040	400	425	128	256	128	256	80	1100
P2100.AC0045	450	475	160	320	160	320	80	1250
P2100.AC0050	500	525	192	352	160	352	80	1400
P2100.AC0055	550	574	192	416	224	416	80	1500
P2100.AC0060	600	610	256	480	256	480	80	1650
P2100.AC0065	650	674	256	512	256	512	80	1950
P2100.AC0070	700	720	288	576	288	574	80	2100



**P2200**



**Material**

Cold rolled steel, zinc plated.

**Technical Notes**

Hold-in detent when slide closed. Positive stop. Rails can be disconnected via pres-

sing disconnect lever.

These slides have been tested to 80,000 usage cycles.

**Important Notes**

Load capacity is static load per pair, at the

centre of the rails using all mounting

holes. **Sold individually as single slides.**

Order No.	Slide length sl	Slide travel tr ±3.0	b	c	d	e	f	g	h	Load/pair kg max.	Weight g
P2200.AC0304	304.8	304.8	-	-	-	-	-	96.0	128.0	60	740
P2200.AC0355	335.6	335.6	-	-	-	-	46.6	128.0	128.0	60	860
P2200.AC0406	406.4	406.4	288.0	-	-	-	33.4	160.0	160.0	60	985
P2200.AC0457	457.2	457.2	352.0	-	25.45	32.15	-	160.0	192.0	60	1110
P2200.AC0508	508.0	508.0	352.0	416.0	25.45	32.15	-	192.0	224.0	60	1250
P2200.AC0558	558.8	558.8	352.0	416.0	25.45	32.15	57.8	224.0	256.0	60	1380
P2200.AC0609	609.6	609.6	352.0	480.0	25.45	32.15	44.8	256.0	256.0	60	1500
P2200.AC0660	660.4	660.4	352.0	544.0	25.45	32.15	-	256.0	320.0	60	1620
P2200.AC0711	711.2	711.2	352.0	544.0	25.45	32.15	82.2	256.0	352.0	60	1750

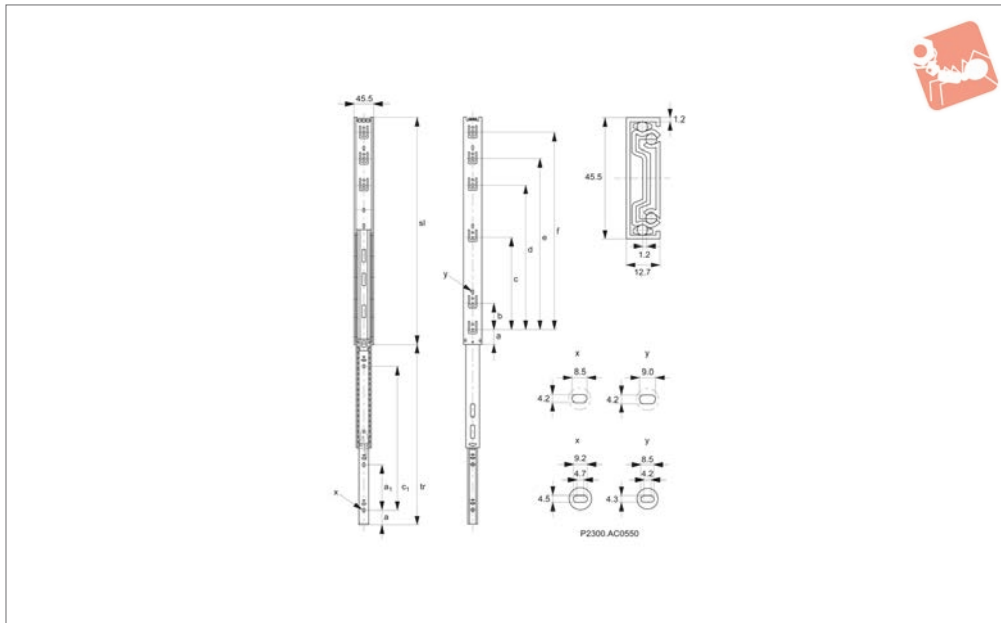




# Drawer Slide - Full Extension

45 Kg load per pair

Full Extension



**P2300**

FULL EXTENSION

### Material

Cold rolled steel, zinc plated.

### Technical Notes

Hold-in detent when slide closed. Positive stop. Rails can be disconnected via pres-

sing disconnect lever.

These slides have been tested to 60,000 usage cycles.

### Important Notes

Load capacity is static load per pair, at the

centre of the rails using all mounting holes. **Sold individually as single slides.**

Order No.	Slide length sl	Slide travel tr	a	b	b <sub>1</sub>	c	c <sub>1</sub>	d	e	f	Load/pair kg max.	Weight g
<b>P2300.AC0250</b>	250	250	35	160	160	-	-	-	-	-	45	390
<b>P2300.AC0300</b>	300	300	35	64	96	224	192	-	-	-	45	470
<b>P2300.AC0350</b>	350	350	35	64	128	224	256	-	-	-	45	555
<b>P2300.AC0400</b>	400	400	35	64	128	224	320	288	-	-	45	635
<b>P2300.AC0450</b>	450	450	35	64	160	224	352	352	-	-	45	745
<b>P2300.AC0500</b>	500	500	35	64	192	224	416	352	416	-	45	795
<b>P2300.AC0550</b>	550	550	35	64	224	224	448	352	416	-	45	880
<b>P2300.AC0600</b>	600	600	35	64	224	224	512	352	480	-	45	970
<b>P2300.AC0650</b>	650	650	35	64	256	224	544	352	512	-	45	1050
<b>P2300.AC0700</b>	700	700	35	64	288	224	608	352	480	608	45	1130

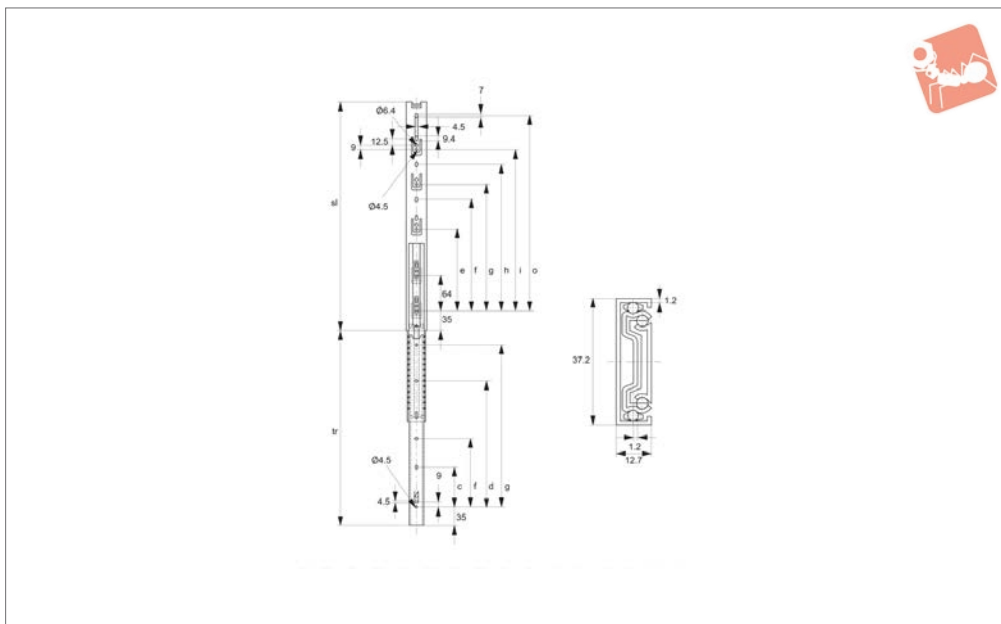




FULL EXTENSION



## P2500



### Material

Cold rolled steel, zinc plated.

### Technical Notes

Hold-in detent when slide closed. Positive stop. Rails can be disconnected via pres-

sing disconnect lever.

These slides have been tested to 60,000 usage cycles.

### Important Notes

Load capacity is static load per pair, at the

centre of the rails using all mounting

holes. **Sold individually as single slides.**

Order No.	Slide length sl	Slide travel tr	c	d	e	f	g	h	i	o	Load/pair kg max.	Weight g
P2500.AC0250	250	254	160	-	-	-	-	-	160	-	30	300
P2500.AC0300	300	305	96	192	160	-	-	-	224	-	30	400
P2500.AC0350	350	356	128	256	150	-	-	-	224	-	30	450
P2500.AC0400	400	406	128	320	150	-	-	224	288	-	30	500
P2500.AC0450	450	457	160	352	150	-	-	224	352	-	30	510
P2500.AC0500	500	508	192	416	160	224	288	352	416	-	30	650
P2500.AC0550	550	552	224	448	160	224	288	352	416	480	30	700

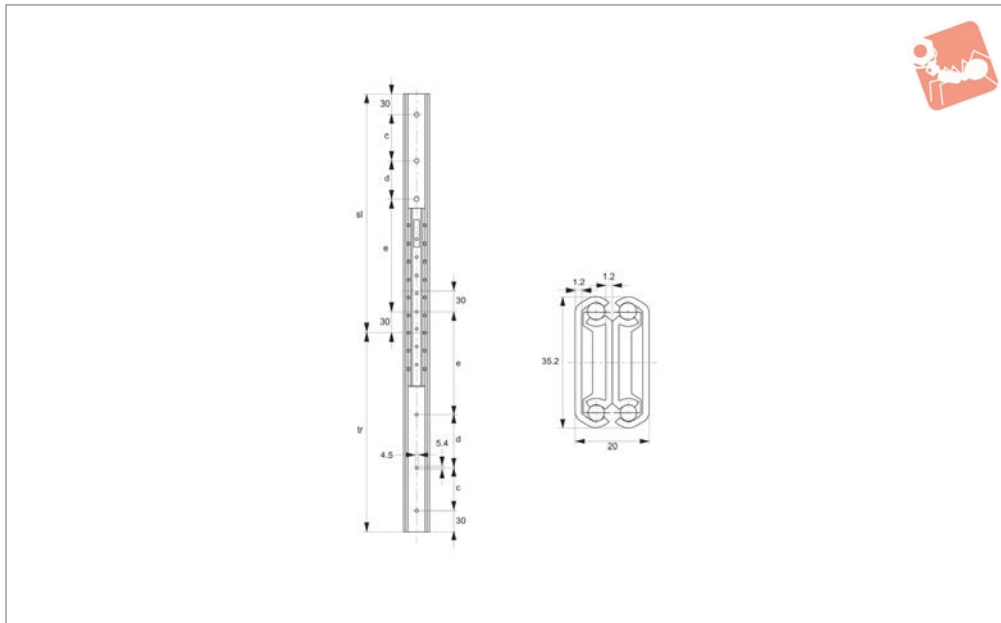




# Drawer Slide - Full Extension

60 Kg load per pair

Full Extension



**P2600**

FULL EXTENSION

**Material**

Cold rolled steel, zinc plated.

These slides have been tested to 60,000 usage cycles.

centre of the rails using all mounting holes. **Sold individually as single slides.**

**Technical Notes**

Positive stop.

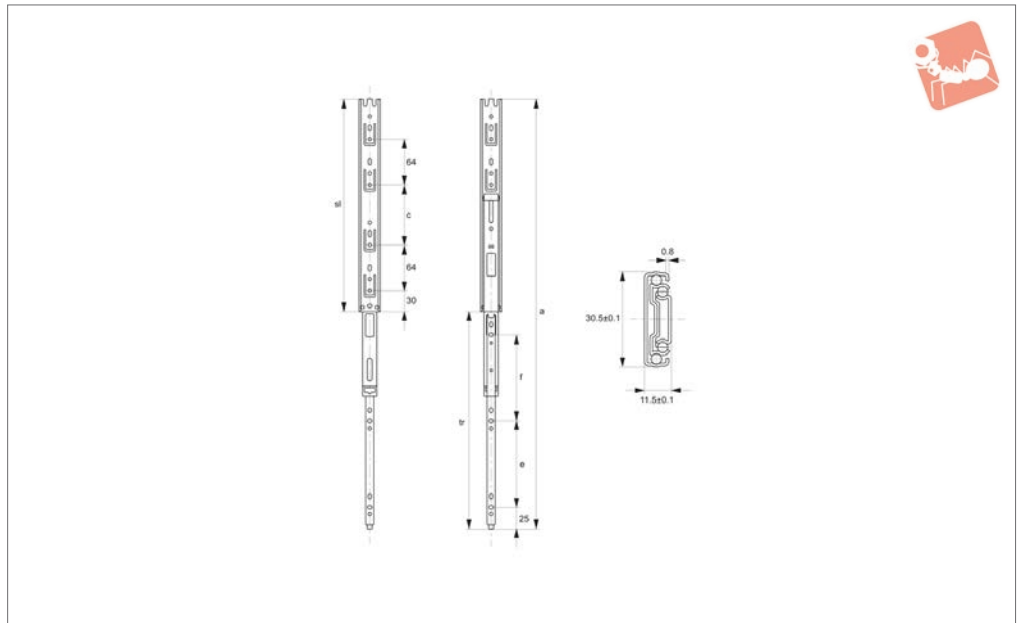
**Important Notes**

Load capacity is static load per pair, at the

Order No.	Slide length sl	Slide travel tr	c	d	e	Load/pair kg max.	Weight g
P2600.AC0300	300	300	98	49	98	60	600
P2600.AC0350	350	350	98	98	98	60	700
P2600.AC0400	400	400	127	84	126	60	800
P2600.AC0450	450	450	127	135	127	60	900
P2600.AC0500	500	500	160	120	160	60	1000



**P2700**



**Material**

Cold rolled steel. Finishing: black

**Technical Notes**

Hold-in detent when slide closed. Positive stop. Rails can be disconnected via pres-

sing disconnect lever.

These slides have been tested to 60,000 usage cycles.

**Important Notes**

Load capacity is static load per pair, at the

centre of the rails using all mounting

holes. **Sold individually as single slides.**

Order No.	Slide length sl	Slide travel tr	a	c	e	f	Load/pair kg max.	Weight g
P2700.AC0200	200	200	400	71	71	71	20	257
P2700.AC0250	250	250	500	99	96	96	20	315
P2700.AC0300	300	300	600	85	121	121	20	370
P2700.AC0350	350	350	700	135	146	146	20	425
P2700.AC0400	400	400	800	185	171	171	20	480
P2700.AC0450	450	450	900	235	191	191	20	532







**Weight capacity/pair Kg** - is the static load per pair of drawer slides, measured at the centre of a pair of slides, side mounted, spaced 450mm apart, and is based on use of all fixing points on the slide.

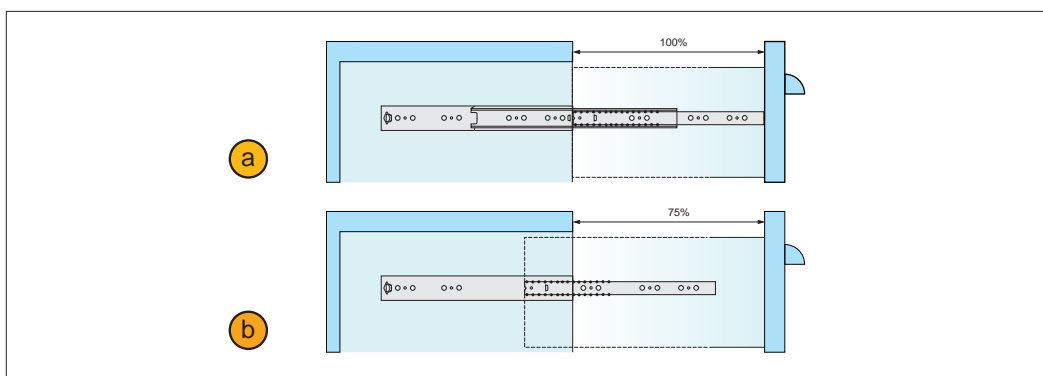
### Weight capacity

**Important Note: Flat mounting of drawer slides, as opposed to the standard side mounding of slides, is not recommended as it results in a greatly reduced load capacity equal to only 25% of the stated weight capacity.**

**Slide length (sl)** The longest dimension of a fully closed slide, this should not exceed the depth of cabinet in which slide is installed.

### Drawer slide terms

**Slide travel (tr)** Distance a drawer slide moves from fully closed position. (slide length + slide travel = fully extended slide length).



**Full extension** This type of drawer slide can be extended 100% of slide length, this is standard for most 3 piece drawer slides. **a**

**3/4 extension** This type of drawer slide extends to approx. 75% of the slide length, this is standard for most 2 piece drawer slides. **b**

**Positive stop** Drawer stops at extended/open position but does not lock or detent.

**Positive lock** Drawer is firmly held in extended/open position by means of a mechanical catch. Drawer is released by depressing a lever and pushing drawer inward. From the extended/open position the same slide may be disconnected by depressing the lever and pulling the drawer out.

**Hold-in detent** Drawer is firmly held in closed position, and released by pulling drawer open (also known as positive catch).

**Lever disconnect** From the extended/open position the slide may be disconnected by depressing lever and pulling drawer out.

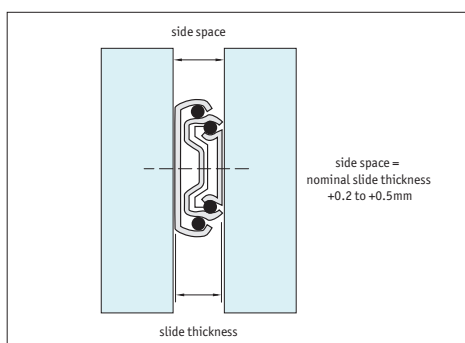
**Self-closing** Toward end of drawer slide closing stroke, slide is drawn into the fully closed position.

**Soft self-closing** Toward end of drawer slide closing stroke, slide movement is slowed and then drawn into fully closed position.

When mounting we recommend a side space equal to the slide thickness with an additional 0,2 to 0,5 mm for optimal positioning.

Mounting with less than 0,2 mm side tolerance can result in poor running of the drawer slide and jamming of the slide - the same is true if tolerances over 0,5mm are used.

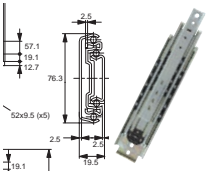
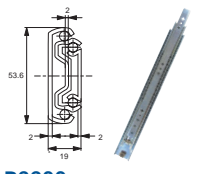
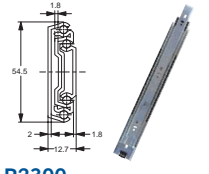
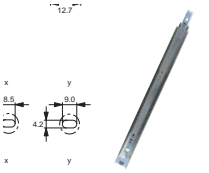
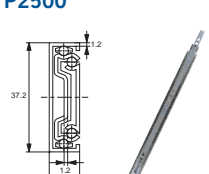


Ensure cabinet/enclosure faces are square and parallel prior to mounting of the drawer slides.

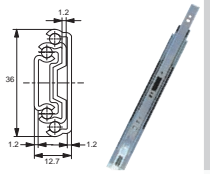
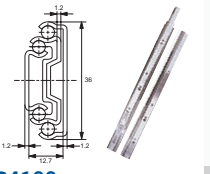
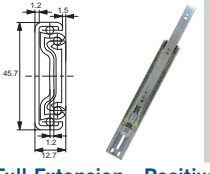
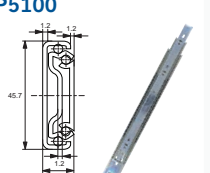
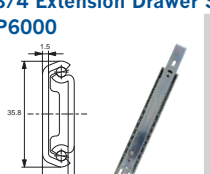

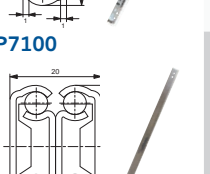
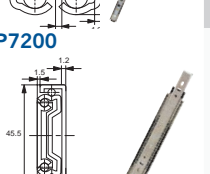


### Side mounting tolerances



FULL EXTENSION

	Weight Cap/Pair Kg	Slide Length mm	Full Extension	3/4 Extension	Material Steel, Zinc Plate	Stainless Steel	Hold-in Detent	Lever Disconnect	Positive Stop	Self Closing	Soft Self Closing	Positive Lock
<b>Full Extension - Drawer Slides</b>												
<b>P2000</b> 	200	254-711	✓		✓				✓			
<b>P2100</b> 	80	300-700	✓		✓		✓		✓			
<b>P2200</b> 	60	304-711	✓		✓		✓	✓	✓			
<b>P2300</b> 	45	250-700	✓		✓		✓	✓	✓			
<b>P2500</b> 	30	250-550	✓		✓		✓	✓	✓			
<b>P2600</b> 	60	300-500	✓		✓				✓			
<b>P2700</b> 	20	200-450	✓		✓		✓	✓	✓			

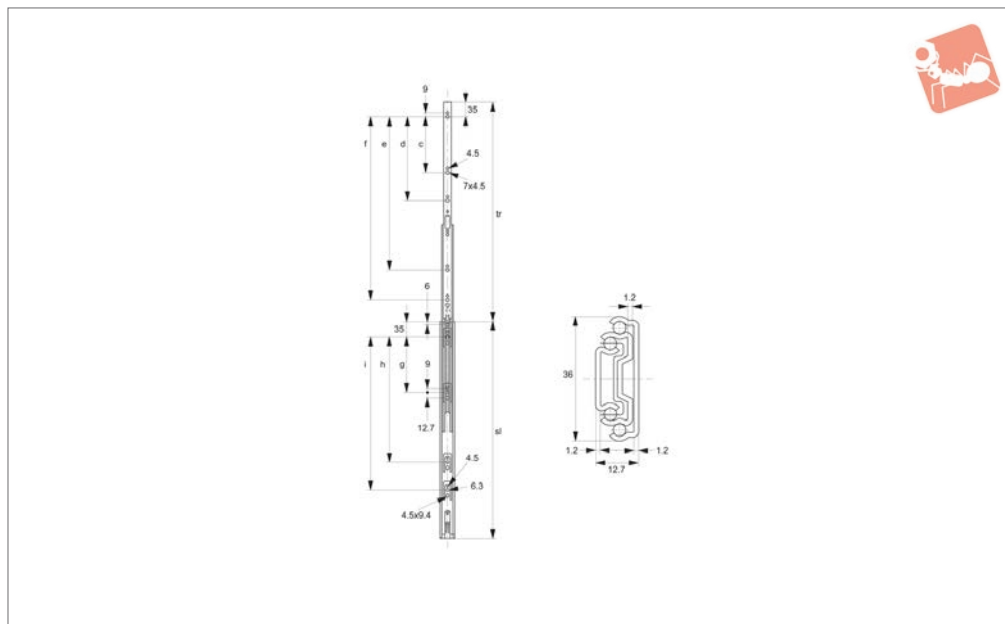
	Weight Cap/Pair Kg	Slide Length mm	Full Extension	3/4 Extension	Material Steel, Zinc Plate	Stainless Steel	Hold-in Detent	Lever Disconnect	Positive Stop	Self Closing	Soft Self Closing	Positive Lock
<b>Full Extension - Lever Disconnect Drawer Slides</b>												
<b>P4050</b> 	30	250-600	✓		✓		✓	✓	✓	✓		
<b>P4080</b> 	30	350-700	✓		✓			✓	✓		✓	
<b>P4100</b> 	45	300-700	✓		✓		✓	✓	✓	✓		
<b>Full Extension - Positive Stop Drawer Slides</b>												
<b>P5100</b> 	45	250-700	✓		✓		✓	✓	✓			✓
<b>3/4 Extension Drawer Slides</b>												
<b>P6000</b> 	30	250-700		✓	✓		✓	✓	✓			
<b>Stainless Steel Drawer Slides</b>												
<b>P7000</b> 	15	200-600		✓	✓				✓			
<b>P7100</b> 	30	200-550	✓		✓				✓			
<b>P7200</b> 	45	300-700	✓		✓				✓			



# Drawer Slide - Full Extension

lever disconnect - self-closing - 30 Kg load per pair

Full Extension



P4050

FULL EXTENSION

### Material

Cold rolled steel, zinc plated.

### Technical Notes

Self-closing (via dual spring) - toward end of slide closing stroke, pulls draw into fully closed position. Hold-in detent when slide

closed. Positive stop. Rails can be disconnected via pressing disconnect lever.

These slides have been tested to 80,000 usage cycles.

### Important Notes

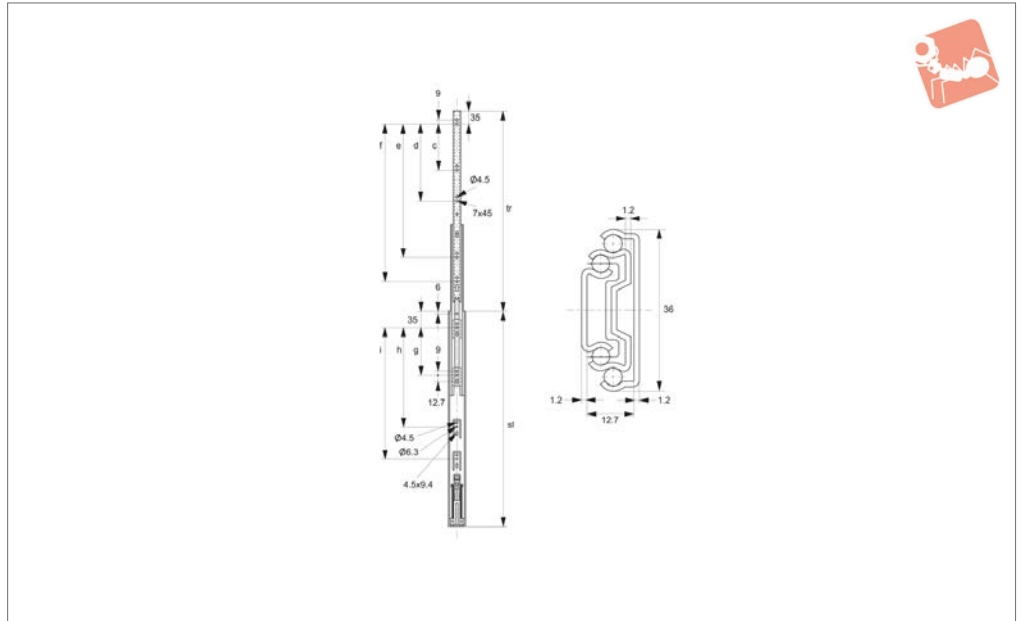
Load capacity is static load per pair, at the centre of the rails using all mounting holes. **Sold individually as single slides.**

Order No.	Slide length sl	Slide travel tr	c	e	d	f	g	h	i	Load/pair kg max.	Weight g
P4050.AC0200	200	200	-	-	-	-	-	-	65	30	200
P4050.AC0250	250	254	-	-	-	-	-	-	96	30	250
P4050.AC0300	300	305	-	-	-	172	-	-	160	30	300
P4050.AC0350	350	356	128	-	-	222	128	-	224	30	350
P4050.AC0400	400	406	128	-	-	272	128	-	256	30	400
P4050.AC0450	450	457	128	320	-	322	128	-	320	30	480
P4050.AC0500	500	508	128	352	192	422	128	288	352	30	550
P4050.AC0550	550	559	128	410	224	472	128	282	410	30	625
P4050.AC0600	600	610	128	416	224	522	128	320	448	30	650





P4080



Material

Cold rolled steel, zinc plated.

Technical Notes

Soft-closing - first slows closing of slide (via hyd. piston), then pulls draw into fully

closed position (via dual spring). Positive stop. Rails can be disconnected via pressing disconnect lever.

These slides have been tested to 80,000 usage cycles.

Important Notes

Load capacity is static load per pair, at the centre of the rails using all mounting holes. **Sold individually as single slides.**

Order No.	Slide length sl	Slide travel tr	c	e	d	f	g	h	i	Load/pair kg max.	Weight g
P4080.AC0350	350	325	-	-	-	228	-	-	160	30	350
P4080.AC0400	400	375	128	-	-	278	128	-	224	30	400
P4080.AC0450	450	425	128	-	-	328	128	-	272	30	475
P4080.AC0500	500	475	128	320	-	378	128	-	320	30	550
P4080.AC0550	550	525	128	352	224	428	128	256	352	30	600
P4080.AC0600	600	575	128	385	224	478	128	288	416	30	650
P4080.AC0650	650	625	128	416	224	528	128	320	448	30	700
P4080.AC0700	700	675	128	448	224	578	128	352	512	30	750

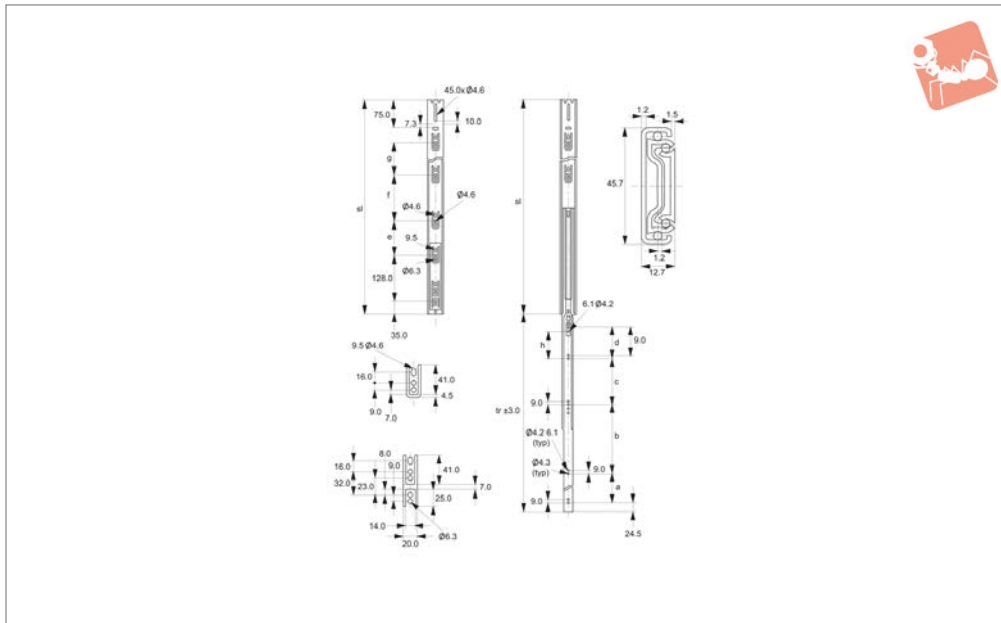




# Drawer Slide - Full Extension

lever disconnect - self-closing - 45 Kg load per pair

Full Extension



P4100

FULL EXTENSION

### Material

Cold rolled steel, zinc plated.

### Technical Notes

Self-closing (via dual spring) - toward end of slide closing stroke, pulls draw into fully closed position. Hold-in detent when slide

closed. Positive stop. Rails can be disconnected via pressing disconnect lever.

These slides have been tested to 80,000 usage cycles.

### Important Notes

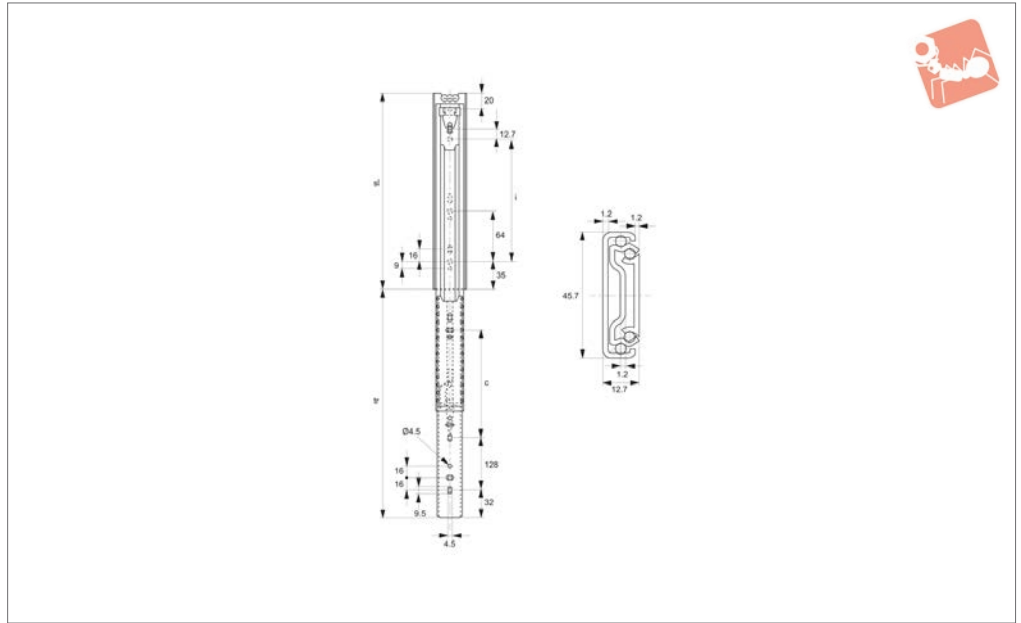
Load capacity is static load per pair, at the centre of the rails using all mounting holes. **Sold individually as single slides.**

Order No.	Slide length sl	Slide travel tr	a	c	b	e	d	f	g	h	Load/pair kg max.	Weight g
P4100.AC0300	300	304.8	96.0	-	128.0	-	-	-	-	-	45	430
P4100.AC0350	350	355.6	96.0	-	160.0	-	-	-	-	-	45	523
P4100.AC0400	400	406.4	96.0	128.0	96.0	-	-	96.0	-	-	45	603
P4100.AC0450	450	457.2	96.0	160.0	96.0	-	-	96.0	-	-	45	690
P4100.AC0500	500	508.0	128.0	64.0	192.0	-	-	96.0	128.0	-	45	763
P4100.AC0550	550	558.8	96.0	192.0	96.0	-	64.0	96.0	128.0	-	45	846
P4100.AC0600	600	609.6	96.0	192.0	96.0	-	96.0	96.0	128.0	-	45	926
P4100.AC0650	650	660.4	96.0	192.0	96.0	-	160.0	96.0	128.0	-	45	976
P4100.AC0700	700	711.2	224.0	128.0	192.0	64.0	-	96.0	128.0	192.0	45	1096





## P5100



FULL EXTENSION

### Material

Cold rolled steel, zinc plated.

### Technical Notes

Positive Lock - slide firmly held in open position, to release depress lever and push

draw inward. Hold-in detent when slide closed. Rails can be disconnected via pressing disconnect lever.

These slides have been tested to 60,000 usage cycles.

### Important Notes

Load capacity is static load per pair, at the centre of the rails using all mounting holes. **Sold individually as single slides.**

Order No.	Slide length sl	Slide travel tr	c	p	Load/pair kg max.	Weight g
P5100.AC0250	250	240	-	174	45	350
P5100.AC0300	300	295	-	236	45	475
P5100.AC0350	350	350	159	254	45	600
P5100.AC0400	400	406	128	288	45	650
P5100.AC0450	450	450	270	350	45	700
P5100.AC0500	500	500	240	416	45	750
P5100.AC0550	550	545	239	430	45	850
P5100.AC0600	600	595	300	494	45	950
P5100.AC0650	650	659	302	558	45	1050
P5100.AC0700	700	709	335	650	45	1150

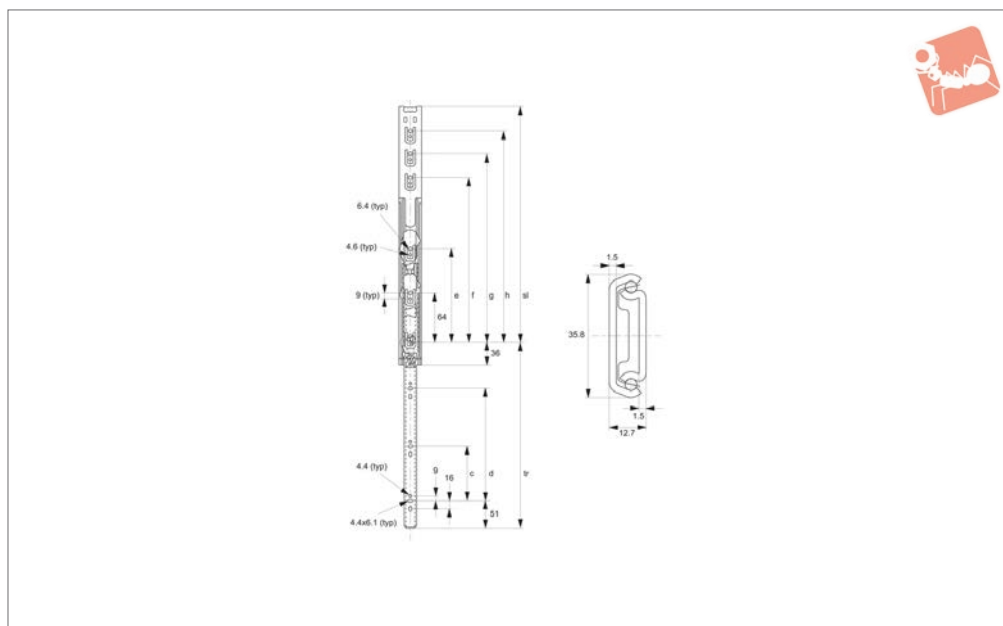




# Drawer Slide - 3/4 Extension

Lever disconnect - 30 Kg load per pair

3/4 Extension



**P6000**

3/4 EXTENSION

### Material

Cold rolled steel, zinc plated.

### Technical Notes

Hold-in detent when slide closed. Positive stop. Rails can be disconnected via pres-

sing disconnect lever.

These slides have been tested to 60,000 usage cycles.

### Important Notes

Load capacity is static load per pair, at the

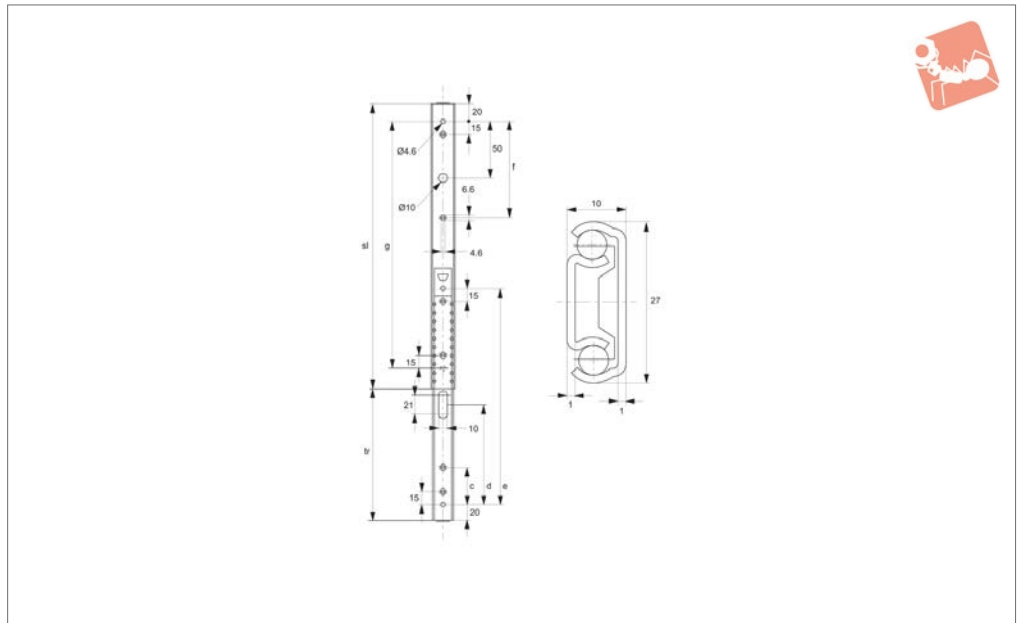
centre of the rails using all mounting

holes. **Sold individually as single slides.**

Order No.	Slide length sl	Slide travel tr	c	d	f	g	h	Load/pair kg max.	Weight g
<b>P6000.AC0200</b>	200	105	-	-	-	-	-	30	135
<b>P6000.AC0250</b>	250	165	-	-	-	-	-	30	170
<b>P6000.AC0300</b>	300	200	96	224	-	-	224	30	200
<b>P6000.AC0350</b>	350	255	128	288	-	-	256	30	250
<b>P6000.AC0400</b>	400	295	160	320	-	192	288	30	300
<b>P6000.AC0450</b>	450	330	160	352	-	224	352	30	375
<b>P6000.AC0500</b>	500	375	192	416	224	320	416	30	425
<b>P6000.AC0550</b>	550	415	224	448	224	352	448	30	475
<b>P6000.AC0600</b>	600	460	256	512	224	352	480	30	500
<b>P6000.AC0650</b>	650	520	256	512	352	416	480	30	600
<b>P6000.AC0700</b>	700	590	256	512	352	416	480	30	650



## P7000



### Material

Stainless steel, AISI 304. Bright finish.

These slides have been tested to 60,000 usage cycles.

centre of the rails using all mounting holes. **Sold individually as single slides.**

### Technical Notes

Positive stop.

### Important Notes

Load capacity is static load per pair, at the

Order No.	Slide length sl	Slide travel tr	c	d	e	f	g	Load/pair kg max.	Weight g
P7000.AC0200	200	160	-	-	-	-	-	15	150
P7000.AC0250	250	150	100	160	210	110	210	15	175
P7000.AC0300	300	200	100	210	260	160	260	15	200
P7000.AC0350	350	250	100	260	310	210	310	15	245
P7000.AC0400	400	275	180	286	360	180	360	15	255
P7000.AC0450	450	305	180	318	410	230	410	15	300
P7000.AC0500	500	355	180	365	460	280	460	15	345
P7000.AC0550	550	400	180	224	510	280	510	15	400
P7000.AC0600	600	440	180	224	560	280	560	15	450

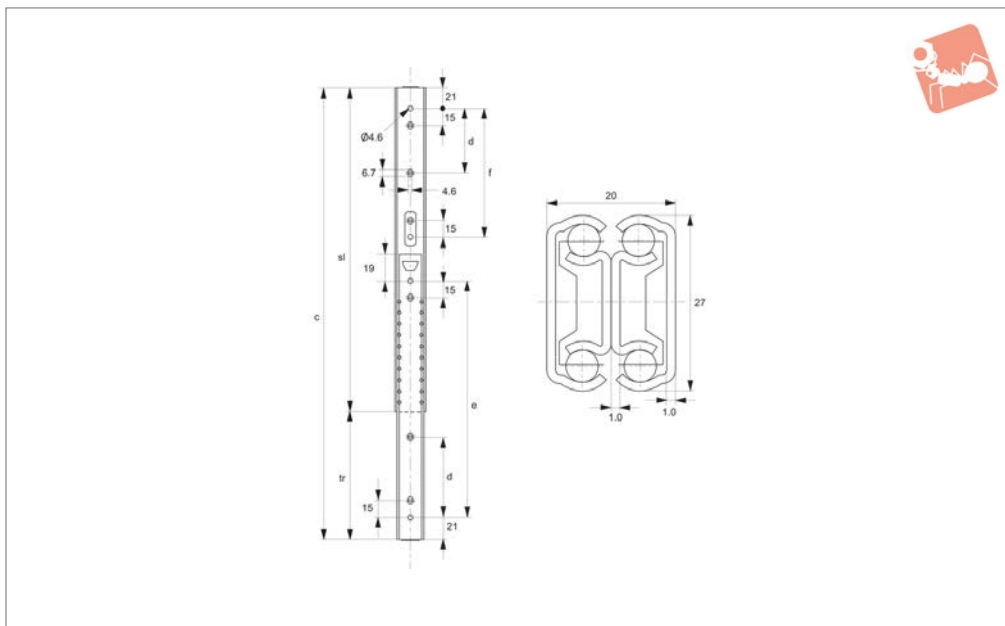




# Drawer Slide - Full Extension

30 Kg load per pair - **stainless**

## Stainless Steel Slides



**P7100**

STAINLESS STEEL SLIDES

### Material

Stainless steel AISI 304. Bright finish.

These slides have been tested to 60,000 usage cycles.

centre of the rails using all mounting holes. **Sold individually as single slides.**

### Technical Notes

Positive stop.

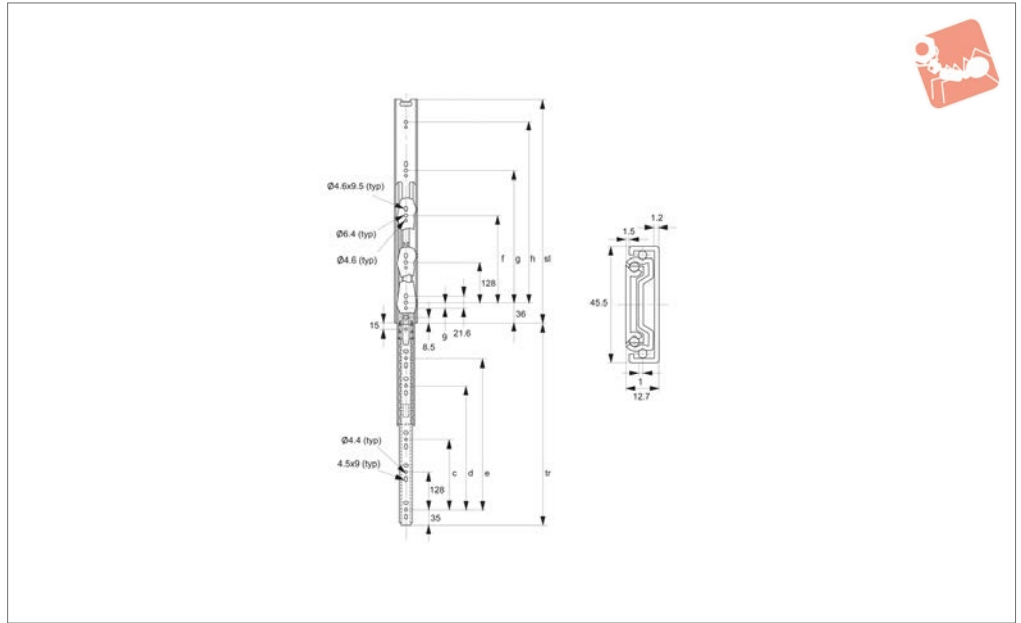
### Important Notes

Load capacity is static load per pair, at the

Order No.	Slide length sl	Slide travel tr	c	d	e	f	Load/pair kg max.	Weight g
<b>P7100.AC0200</b>	200	210	415	-	-	-	30	280
<b>P7100.AC0250</b>	250	260	515	85	210	-	30	345
<b>P7100.AC0300</b>	300	310	615	160	260	260	30	415
<b>P7100.AC0350</b>	350	360	715	210	310	310	30	500
<b>P7100.AC0400</b>	400	410	815	180	360	360	30	590
<b>P7100.AC0450</b>	450	460	915	230	410	410	30	645
<b>P7100.AC0500</b>	500	510	1015	280	460	460	30	705
<b>P7100.AC0550</b>	550	560	1100	230	352	352	30	740



## P7200



### Material

Stainless steel AISI 304. Bright finish.

### Technical Notes

Hold-in detent when slide closed. Positive stop. Rails can be disconnected via pres-

sing disconnect lever.

These slides have been tested to 60,000 usage cycles.

### Important Notes

Load capacity is static load per pair, at the

centre of the rails using all mounting

holes. **Sold individually as single slides.**

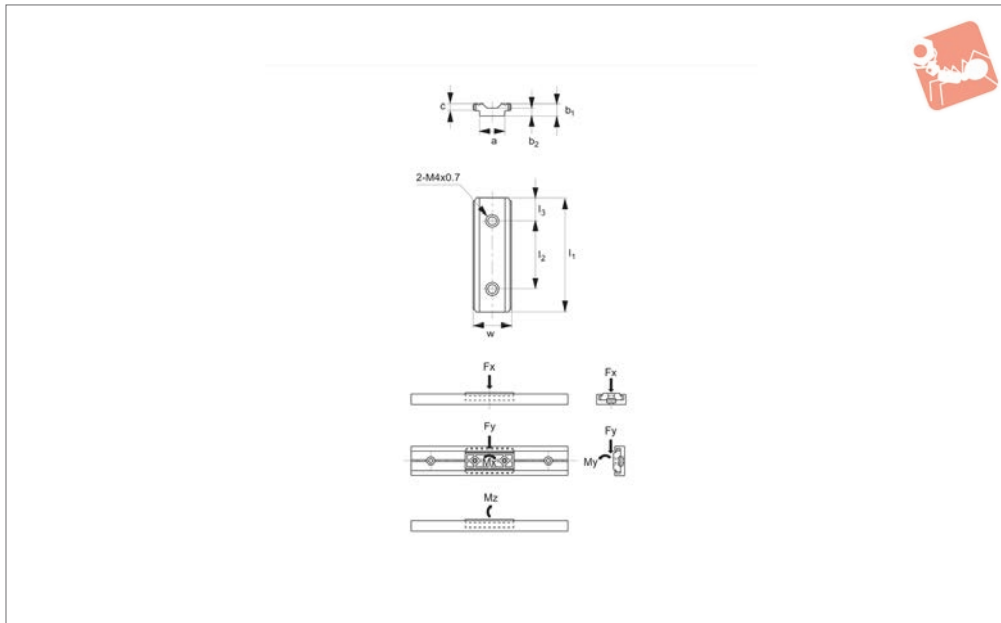
Order No.	Slide length sl	Slide travel tr	c	d	e	f	g	h	Load/pair kg max.	Weight g
P7200.AC0300	300	312	128	-	-	-	-	-	45	500
P7200.AC0350	350	362	128	-	-	-	-	-	45	590
P7200.AC0400	400	412	128	224	-	-	-	-	45	670
P7200.AC0450	450	462	128	224	-	-	-	-	45	775
P7200.AC0500	500	512	128	224	320	-	320	-	45	830
P7200.AC0550	550	562	128	224	352	-	352	-	45	910
P7200.AC0600	600	612	128	224	352	416	352	-	45	990
P7200.AC0700	700	705	320	514	630	255	450	630	45	1100



# Mini Slide Carriage

for use with mini slide rail P0350

## Linear Slides



**P0300**

LINEAR SLIDES

### Material

Body: special low friction polyethylene.  
Insert nut: stainless steel, AISI 302.

### Technical Notes

Compact design for wide range of small stroke applications.  
Provides outstanding performance with lighter movement than ball-bearing slides.  
Material values:

- Coefficient of friction  $\mu$  0.15
- Coefficient of dynamic friction  $\mu$  0.10
- Limited PV value 3Mpa.m/min  
 $p_v = p$  (pressure Mpa)  $\times V$  (slide speed m/min)
- $p = 0.74$  Mpa
- $V = 12$  m/min.

### Important Notes

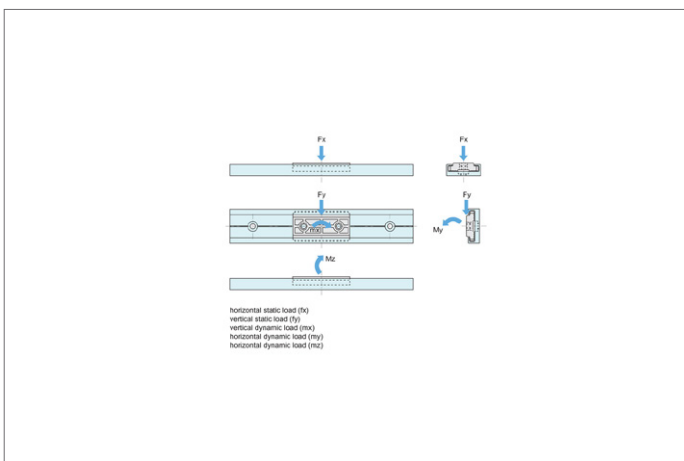
Dynamic and static loads provided as a

### guide, please apply following reduction factors for application conditions:

- Low speed/low operation frequency = use 70 to 90% of load rating.
- Moderate speed/high operation frequency = use 35 to 65% of load rating.
- High operation frequency with vibration = use 10 to 30% of load rating.

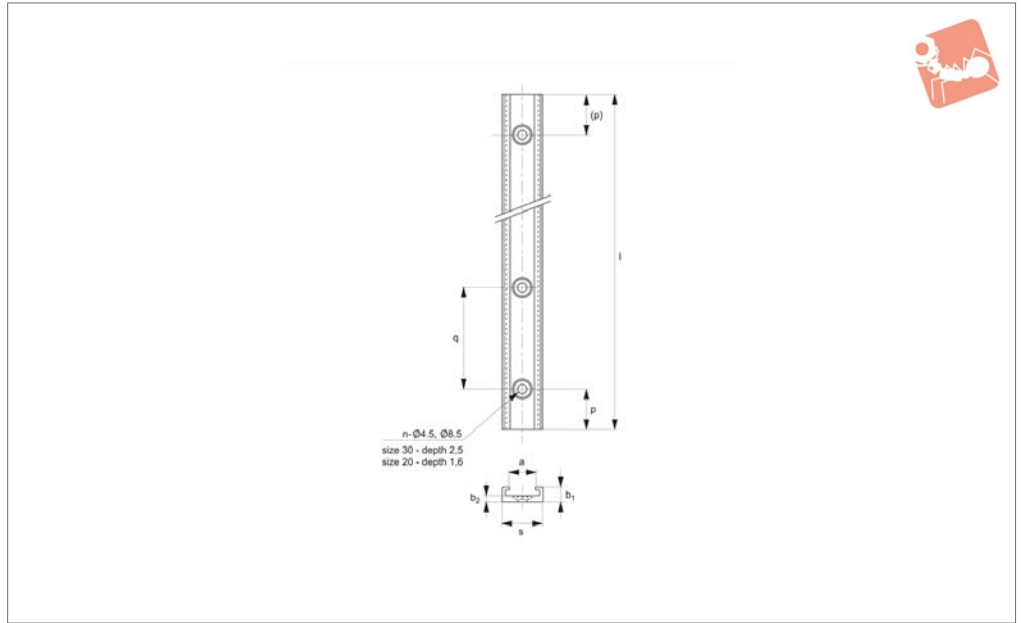
Order No.	Size	Type	a	b <sub>1</sub>	b <sub>2</sub>	c	w	l <sub>1</sub>	l <sub>2</sub>	l <sub>3</sub>	Weight g
P0300.AC0020	20	Carriage	11.2	5.2	3.5	2.7	16.8	50	30	10	7
P0300.AC0050	30	Carriage	18.0	7.0	-	4.3	25.8	50	30	10	7

Order No.	Horiz. static load f <sub>x</sub> kg/f	Vert. static load f <sub>y</sub> kg/f	Vert. dym. load m <sub>x</sub> kg/f	Horiz. dym. load m <sub>y</sub> kg/f	Horiz. dym. load m <sub>z</sub> kg/f
P0300.AC0020	30.6	17.8	-	-	-
P0300.AC0050	26.0	15.0	25.0	12.5	12.5





## P0350



### Material

Aluminium, anodized (except ends).

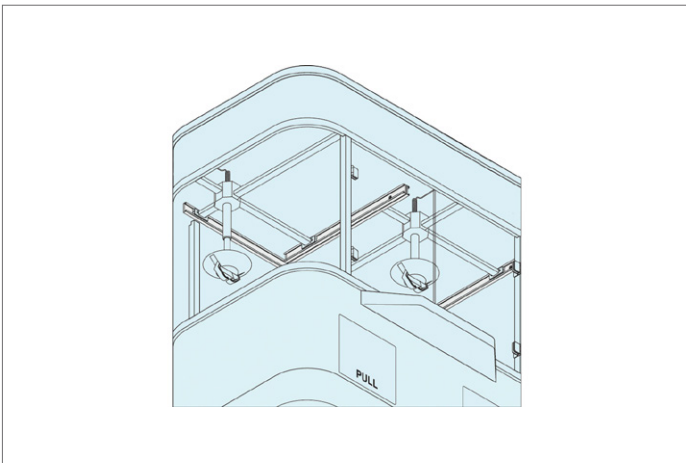
protection against corrosion.

### Technical Notes

9-micron anodized film provides excellent

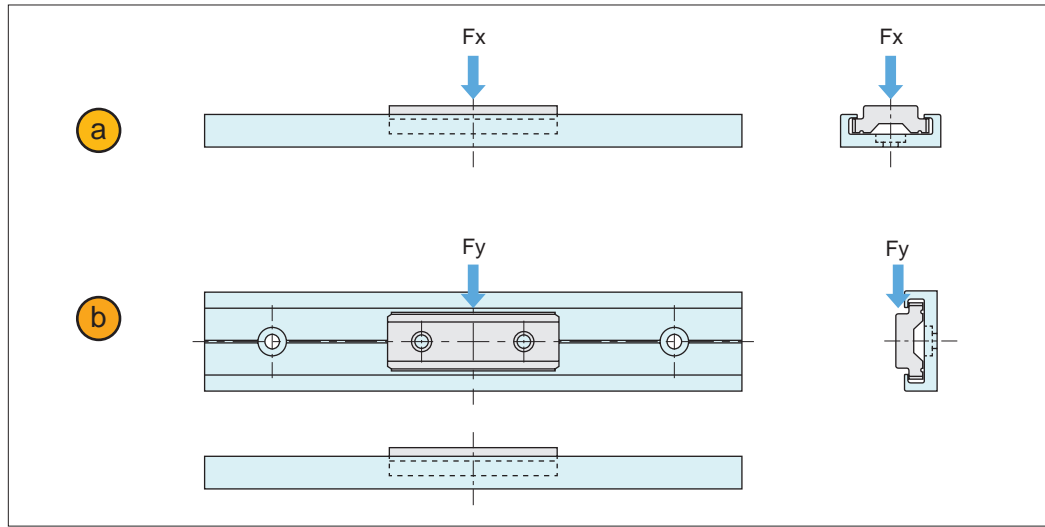
Compact design used in conjunction with mini-slide carriage P0300, suitable for wide variety of applications.

Order No.	Size	Type	l	p	No. of holes in slide length	s	a	b <sub>1</sub>	b <sub>2</sub>	q	Weight g
P0350.AC0010	30	Rail	100	10	3	30	19.8	10.0	3.88	40	39
P0350.AC0020	30	Rail	200	20	5	30	19.8	10.0	3.88	40	79
P0350.AC0040	30	Rail	400	20	10	30	19.8	10.0	3.88	40	159
P0350.AC0080	30	Rail	800	20	20	30	19.8	10.0	3.88	40	312
P0350.AC0200	30	Rail	2000	20	50	30	19.8	10.0	3.88	40	790
P0350.AC0012	20	Rail	100	25	2	20	11.2	8.2	2.88	50	20
P0350.AC0022	20	Rail	200	25	4	20	11.2	8.2	2.88	50	40
P0350.AC0042	20	Rail	400	25	8	20	11.2	8.2	2.88	50	80
P0350.AC0082	20	Rail	800	25	16	20	11.2	8.2	2.88	50	160
P0350.AC0202	20	Rail	2000	25	40	20	11.2	8.2	2.88	50	400





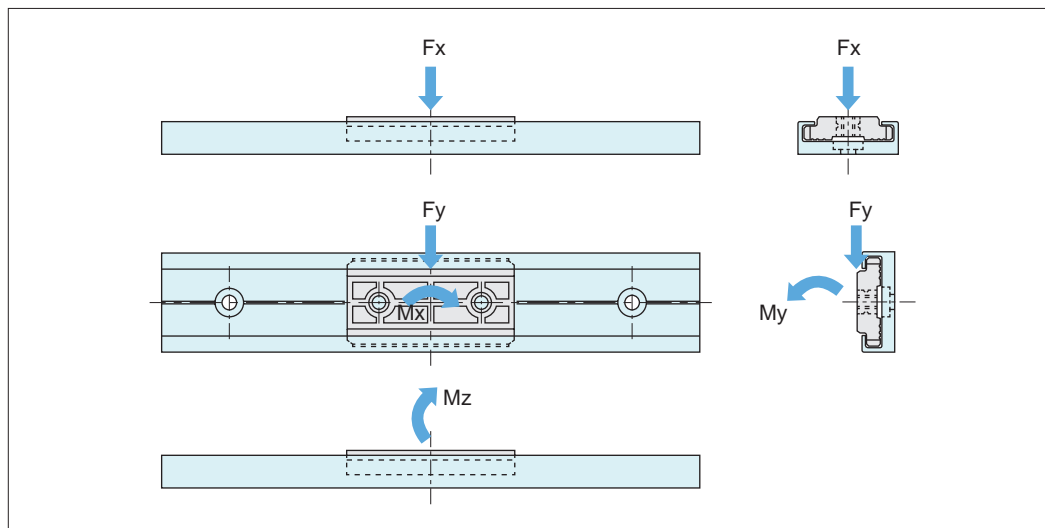
### Load ratings



#### Load rating for mini slider P0300.AC0020 (size 20)

Material values  
 Coefficient of friction  $\mu$  0.15  
 Coefficient of dynamic friction  $\mu_s$  0.10  
 Limited PV value 3 Mpa.m/min  
 $PV = p$  (pressure Mpa)  $\times$   $V$  (slide speed m/min)  
 $p = 0.74$  Mpa  
 $V = 12$  m/min

a	Horizontal static load $F_x$	30.6 kgf (67.5 lbs)
b	Vertical static load $F_y$	17.8 kgf (39.2 lbs)



#### Load rating for mini slider P0300.AC0050 (size 30)

Horizontal static load $F_x$	26 kgf (57.2 lbs)
Vertical static load $F_y$	15 kgf (33 lbs)
Vertical dynamic load $M_x$	25 kgf · cm (21.6 lbs · in)
Horizontal dynamic load $M_y$	12.5 kgf · cm (10.8 lbs · in)
Horizontal dynamic load $M_z$	12.5 kgf · cm (10.8 lbs · in)

**Important Note: Dynamic and static loads provided as a guide, please apply following reduction factors for application conditions:**

**Low speed/low operation frequency = use 70 to 90% of load rating.**

**Moderate speed/high operation frequency = use 35 to 65% of load rating.**

**High operation frequency with vibration = use 10 to 30% of load rating.**