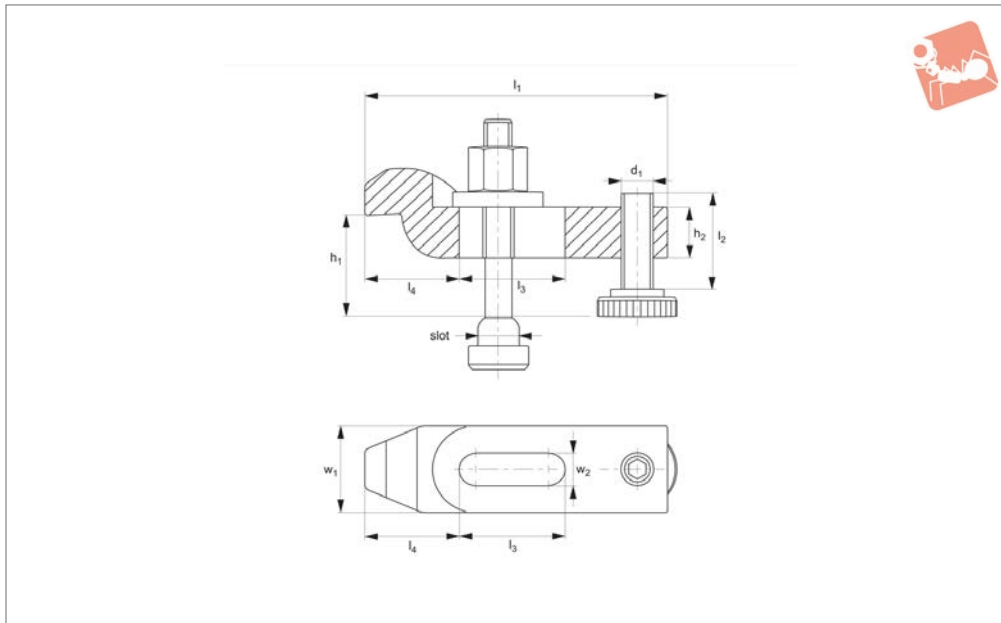




Adjustable Goose Neck Clamps

with height adjusting screw



10500

STANDARD MANUAL CLAMPING

Material

Steel, heat-treated and enamelled.

Technical Notes

Type one: clamp, support screw and T-bolt set.

Type two: clamp and support screw only.

Dimension h_1 is dependent on depth of slot and position of fixture nut.

Tips

Often used for clamping press tools.

Used with:

10680 ratchet clamp lever, 21000 T-slot bolt, 24400 collar nut, 25000 plain washer.

Replacement parts:

Replacement support screw see part no. 10410.

Important Notes

Particularly suited to clamping low work-pieces. The clamping height can be adjusted by means of the support screw.

Order No.	Type	For bolt	For T-slot	T-bolt	$d_1 \times l_2$	h_1	h_2	l_3	l_4	w_1	$w_2 \times l_1$	Weight g
10500.W0010	With bolt	M10	10	M10x10x80	M10x39	22-46	15	32	36.0	30	11x100	440
10500.W0012	With bolt	M12	12	M12x12x100	M12x49	28-58	20	40	44.0	40	14x125	906
10500.W0014	With bolt	M12	14	M12x14x100	M12x49	28-56	20	40	44.0	40	14x125	926
10500.W0016	With bolt	M16	16	M16x16x125	M16x55	36-71	25	50	51.5	50	18x160	1859
10500.W0018	With bolt	M16	18	M16x18x125	M16x55	36-69	25	50	51.5	50	18x160	1875
10500.W0020	With bolt	M20	20	M20x20x160	M20x69	43-92	30	70	59.0	60	22x200	3322
10500.W0022	With bolt	M22	22	M20x22x160	M20x69	43-92	30	70	59.0	60	22x200	3352
10500.W0110	W/o bolt	M10	-	-	M10x39	22-51	15	32	36.0	30	11x100	344
10500.W0112	W/o bolt	M12	-	-	M12x49	28-65	20	40	44.0	40	14x125	761
10500.W0116	W/o bolt	M16	-	-	M16x55	36-75	25	50	51.5	50	18x160	1516
10500.W0120	W/o bolt	M20	-	-	M20x69	43-92	30	70	59.0	60	22x200	2669
10500.W0124	W/o bolt	M24	-	-	M24x87	52-115	35	60	76.5	70	26x200	3810