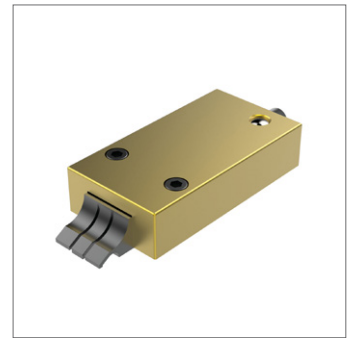
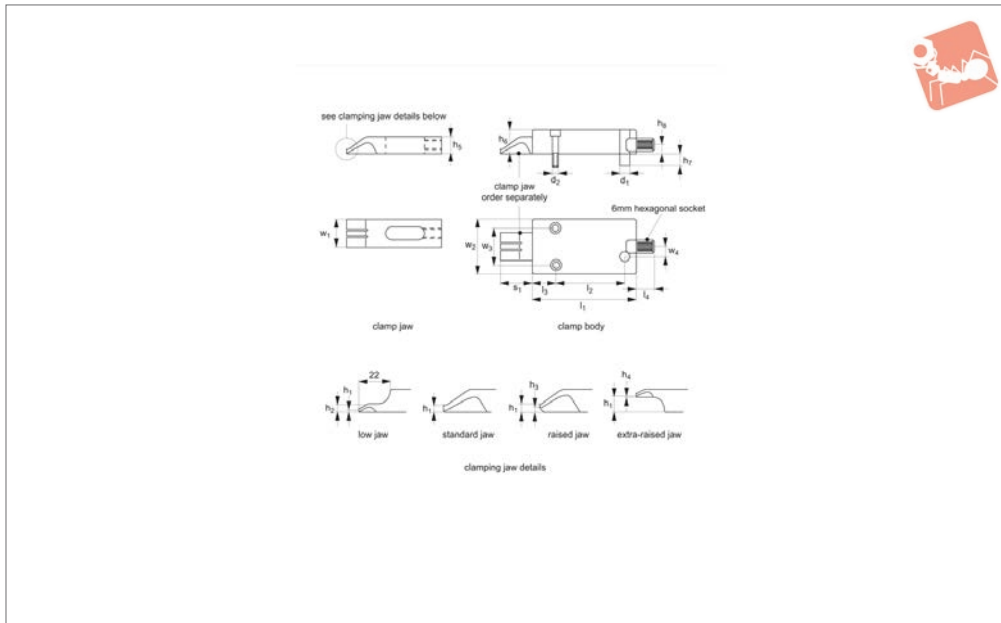




1.0 Ton Finger Clamps for fixtures

Heavy-Duty Side Clamping



11080

HEAVY-DUTY SIDE CLAMPING

Material

Aluminium body, with spring steel clamping element.

Technical Notes

A low height, very powerful compact

clamp.

These clamps have a unique sideways and downwards clamping action.

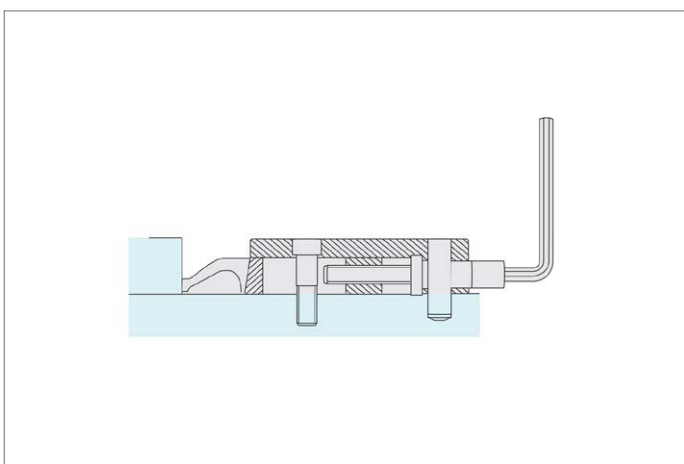
Tips

Clamp jaws and clamp body sold separa-

tely. To order please select clamp body 11080.W0090 then most suitable clamp jaw for your application - (part nos. 11080.W0610 to 11080.W0625).

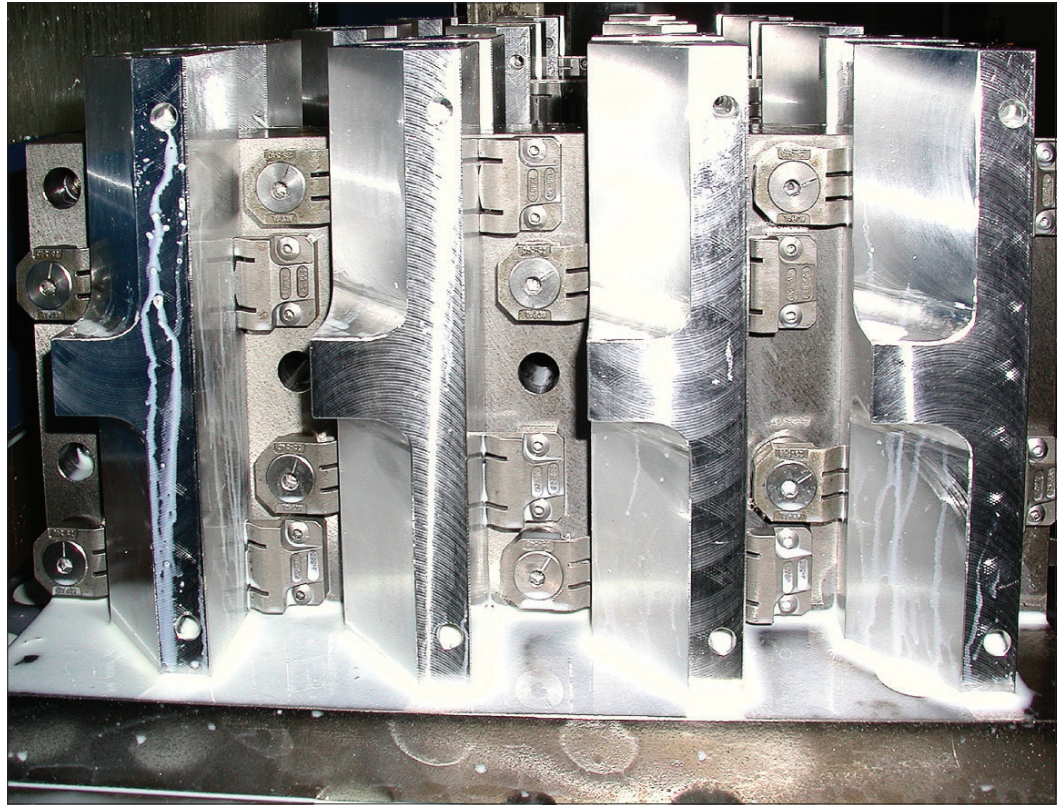
Order No.	Type	Jaw height h_1	Clamp stroke	s_1	w_1	d_1	d_2
11080.W0090	Clamp Body	-	20	18 to 38	-	M 6	10
11080.W0610	Standard Jaw	4.7	-	-	28	-	-
11080.W0615	Low Jaw	2.5	-	-	28	-	-
11080.W0620	Raised Jaw	8.0	-	-	28	-	-
11080.W0625	Extra-raised Jaw	13.5	-	-	28	-	-

Order No.	h_2	h_3	l_1	l_2	h_4	l_3	h_5	l_4	h_6	h_7	h_8	w_2	w_3	w_4
11080.W0090	-	-	104	69.5	-	23	-	18	24	9	12	55	37	10
11080.W0610	-	-	-	-	-	-	17	-	-	-	-	-	-	-
11080.W0615	6.0	-	-	-	-	-	17	-	-	-	-	-	-	-
11080.W0620	-	4.0	-	-	-	-	17	-	-	-	-	-	-	-
11080.W0625	-	-	-	-	2.5	-	17	-	-	-	-	-	-	-





Application



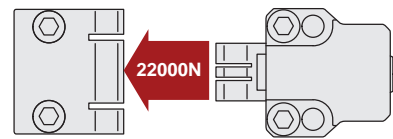
HEAVY-DUTY SIDE CLAMPING

Unique Horizontal Clamping Set-Ups

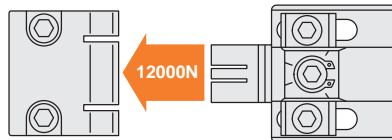
Part No. 10900, 10920, 10940
T-slot table and special machining set-ups



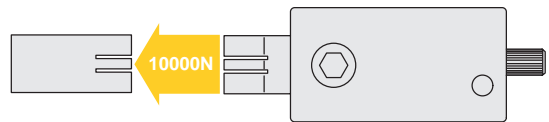
Part No. 11040, 11041, 11042, 11043
Supports and special machining set-ups



Part No. 11070, 11071
Supports and special machining set-ups



Part No. 11080, 11081, 11083
T-slot table, supports and special machining set-ups



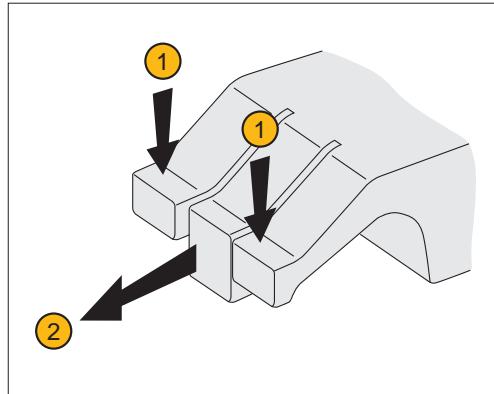


Unique Action - "three finger" Clamping

Our horizontal clamps have a unique "three finger" arrangement ensuring components are both pulled down and clamped in the same motion. The face of the clamp is made of three parts or "fingers":

- Two outer flexible fingers ①; for pulling down the component to the work table.
- One solid central finger ②, to provide direct clamping action.

Available in two styles – smooth and serrated face. They can also cater for workpieces with an adverse angle on the clamping face – for example flame cut steel blanks.



Pull down AND clamp with the highest of clamping forces – from 0,4 tons to 2,2 tons!

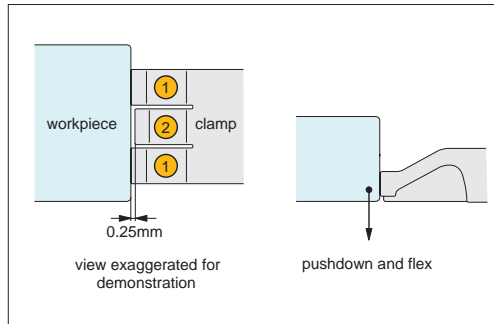
Used in our clamping series:

10900, 10940, 10880, 10920, 11040, 11041, 11042, 11043, 11070, 11071, 11080, 11081, 11082, 11083

Clamping Action

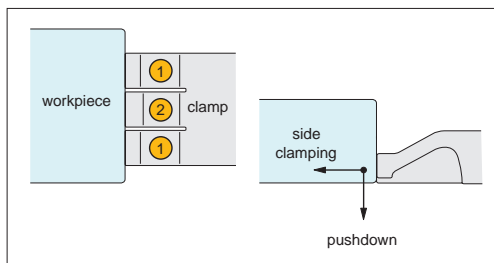
The clamps outer flexible fingers ① are approx. 0,25mm longer than the solid central finger/clamping stop ②, this slight difference in length means it is the flexible fingers which first come into contact with the workpiece.

As initial contact is made with the work-piece the flexible fingers ① apply downward pressure forcing the workpiece down against the work table, the flexible fingers are compressed until they are the same length as the solid central finger/clamping stop ②.



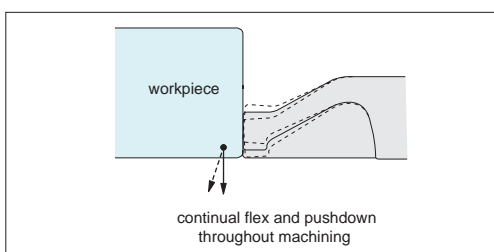
Contact

As the solid central finger/clamping stop ② comes into contact with the work-piece it applies high side clamping pressure to achieve clamping forces up to 2,2 tons (dependent upon clamping model selected).



Clamping

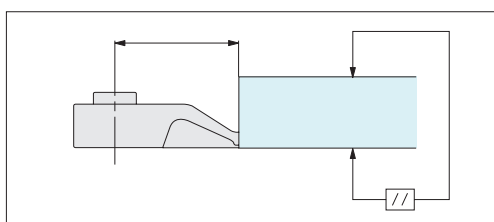
During machining the uniquely designed flexible fingers ① continue to flex and twist applying downward pressure to keep the workpiece flat to the work table throughout.



Machining

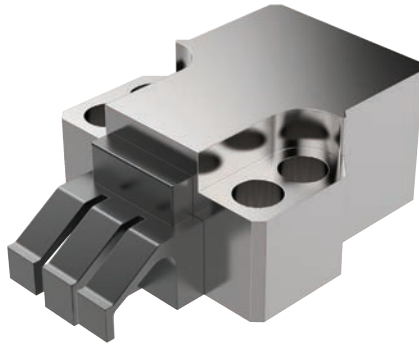
Precision Positioning

The unique clamping action achieves precision positioning of workpieces – ensuring the workpiece remains parallel to the reference surface.



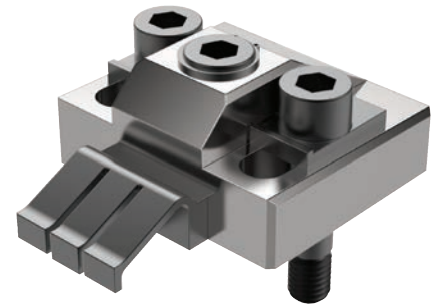


Clamping Torque



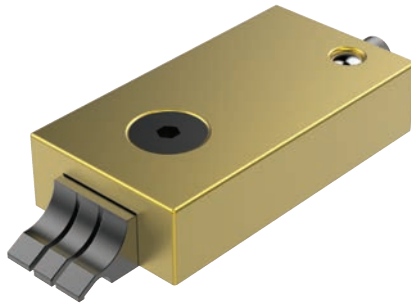
11040/CL2040

Clamping Torque N/m	Clamping Force N
50	23000
40	18000
30	12500
25	11500
20	9500



11070/CL2070

Clamping Torque N/m	Clamping Force N
60	16500
50	15000
40	12000
30	10000
25	8000
20	7000



11081/CL2081

Clamping Torque N/m	Clamping Force N
5	6600
4.5	5500
4	4900



10940/CL0030

Clamping Torque N/m	Clamping Force N
8.5	4000
8	3800
7	3400
6	3000
5	2500
4	2000