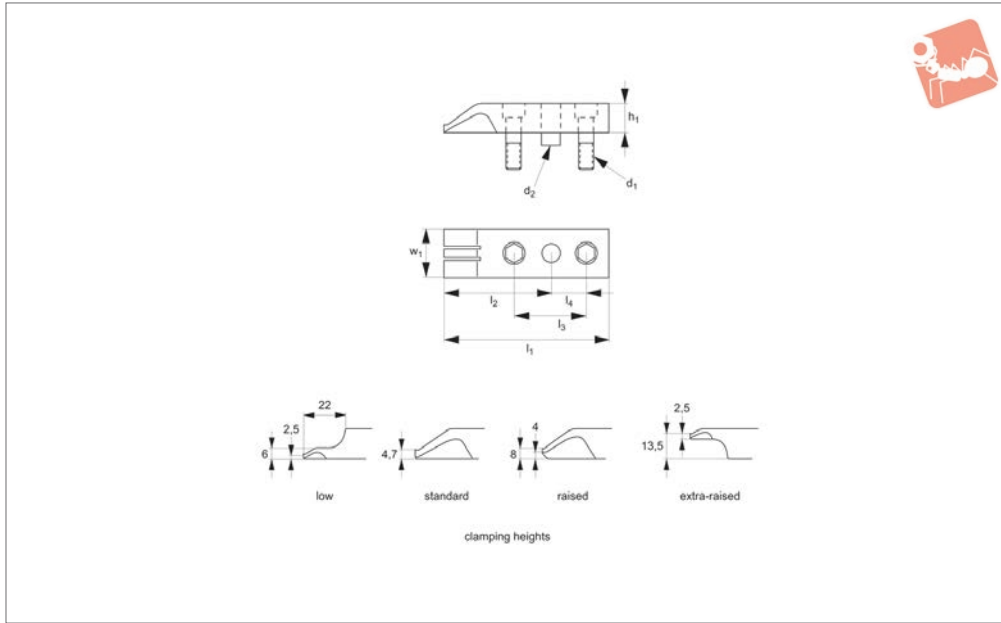




Fixed stops for 1 ton finger clamps

Heavy-Duty Side Clamping



11083

HEAVY-DUTY SIDE CLAMPING

Material

Spring steel.

downward action.

For use on support bars, part no. 11086.

Supplied with M6 screws and dowel pin.

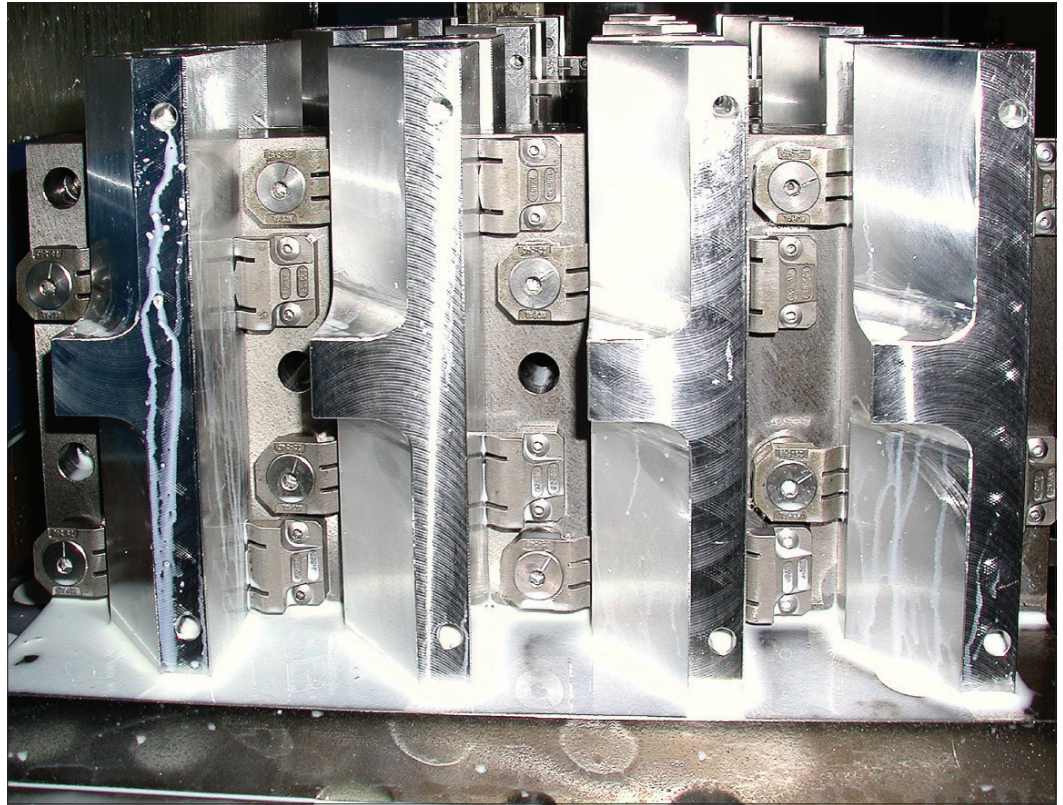
Technical Notes

These stops have a unique sideways and

Order No.	Type	w ₁	d ₁	d ₂	h ₁	l ₁	l ₂	l ₃	l ₄
11083.W0120	Low Jaw	28	M 6	8	17	95	57.7	40	20
11083.W0125	Standard Jaw	28	M 6	8	17	95	57.7	40	20
11083.W0130	Raised Jaw	28	M 6	8	17	95	57.7	40	20
11083.W0135	Extra-raised Jaw	28	M 6	8	17	95	57.7	40	20



Application



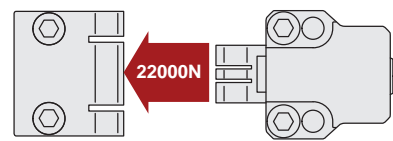
HEAVY-DUTY SIDE CLAMPING

Unique Horizontal Clamping Set-Ups

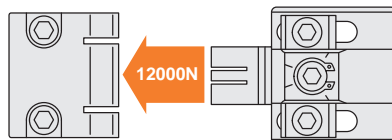
Part No. 10900, 10920, 10940
T-slot table and special machining set-ups



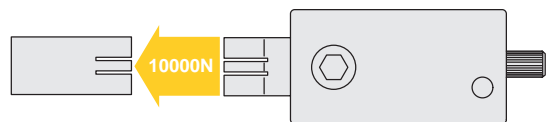
Part No. 11040, 11041, 11042, 11043
Supports and special machining set-ups



Part No. 11070, 11071
Supports and special machining set-ups



Part No. 11080, 11081, 11083
T-slot table, supports and special machining set-ups



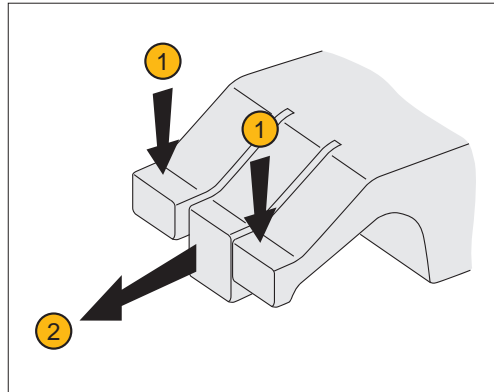


Unique Action - "three finger" Clamping

Our horizontal clamps have a unique "three finger" arrangement ensuring components are both pulled down and clamped in the same motion. The face of the clamp is made of three parts or "fingers":

- Two outer flexible fingers ①; for pulling down the component to the work table.
- One solid central finger ②, to provide direct clamping action.

Available in two styles – smooth and serrated face. They can also cater for workpieces with an adverse angle on the clamping face – for example flame cut steel blanks.



Pull down AND clamp with the highest of clamping forces – from 0,4 tons to 2,2 tons!

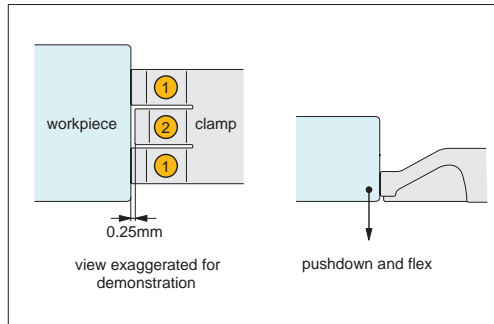
Used in our clamping series:

10900, 10940, 10880, 10920, 11040, 11041, 11042, 11043, 11070, 11071, 11080, 11081, 11082, 11083

Clamping Action

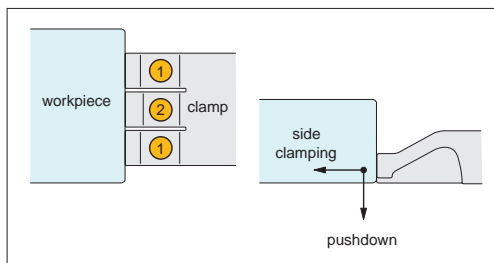
The clamps outer flexible fingers ① are approx. 0,25mm longer than the solid central finger/clamping stop ②, this slight difference in length means it is the flexible fingers which first come into contact with the workpiece.

As initial contact is made with the work-piece the flexible fingers ① apply downward pressure forcing the workpiece down against the work table, the flexible fingers are compressed until they are the same length as the solid central finger/clamping stop ②.



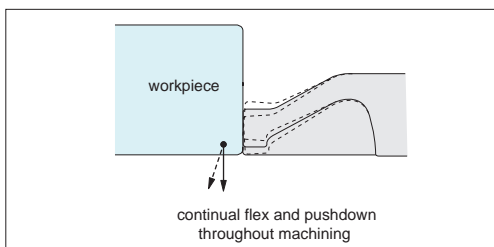
Contact

As the solid central finger/clamping stop ② comes into contact with the work-piece it applies high side clamping pressure to achieve clamping forces up to 2,2 tons (dependent upon clamping model selected).



Clamping

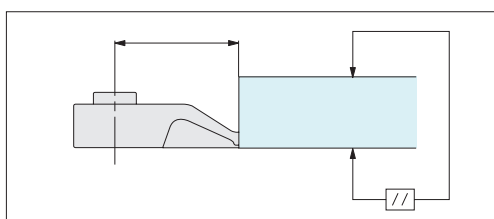
During machining the uniquely designed flexible fingers ① continue to flex and twist applying downward pressure to keep the workpiece flat to the work table throughout.



Machining

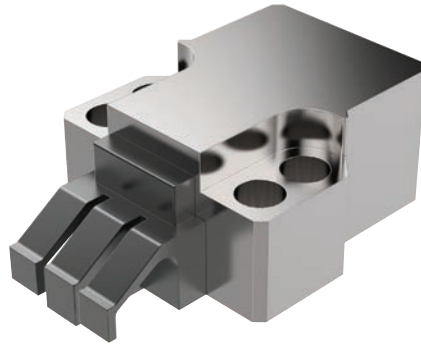
Precision Positioning

The unique clamping action achieves precision positioning of workpieces – ensuring the workpiece remains parallel to the reference surface.



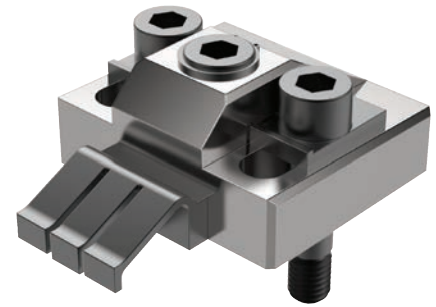


Clamping Torque



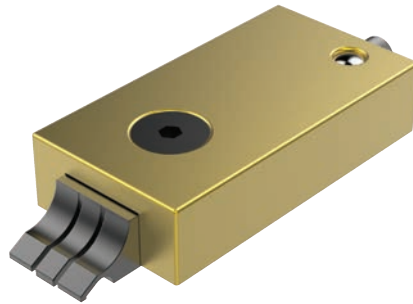
11040/CL2040

Clamping Torque N/m	Clamping Force N
50	23000
40	18000
30	12500
25	11500
20	9500



11070/CL2070

Clamping Torque N/m	Clamping Force N
60	16500
50	15000
40	12000
30	10000
25	8000
20	7000



11081/CL2081

Clamping Torque N/m	Clamping Force N
5	6600
4.5	5500
4	4900



10940/CL0030

Clamping Torque N/m	Clamping Force N
8.5	4000
8	3800
7	3400
6	3000
5	2500
4	2000