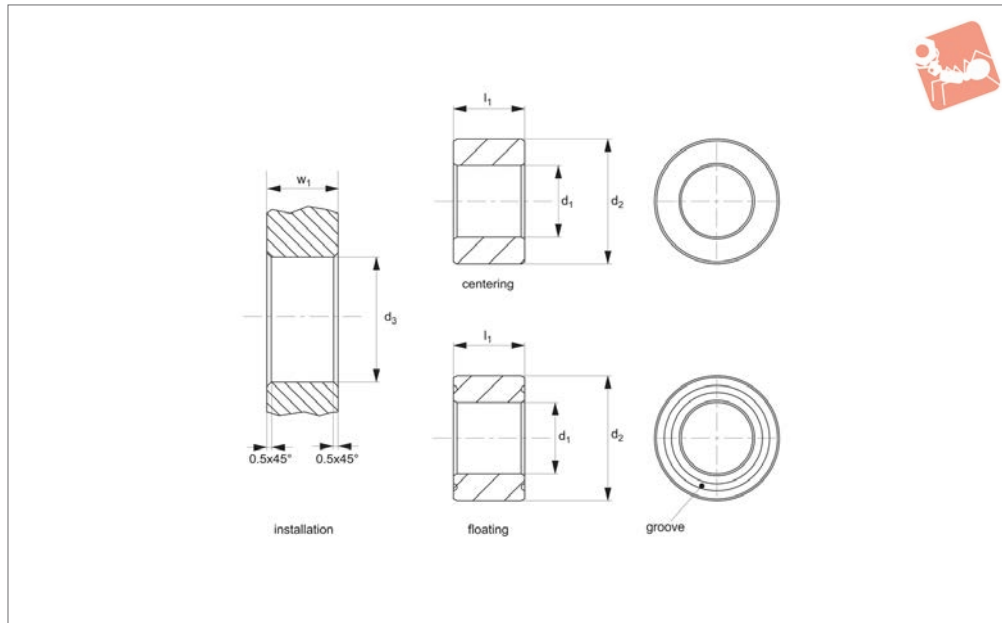




Bushings for positioning clamping pins 12090



Pull Back Inserts



12092

PULL BACK INSERTS

Material

Steel version: steel, heat treated, tempered and blackened.

Stainless steel version: hardened stainless

steel (AISI 440B, 1.4112).

Technical Notes

Mount two centering and two floating

bushings into the mounting plate to achieve optimal repeatability. The floating bush has a groove which serves as a differentiation mark.

Order No.	Type	Material	l_1 -0.25 -0.5	d_1 tol. F6	d_1 +0.2	d_2 tol. n6	w_1 ± 0.05	d_3 tol. H7	Weight g
12092.W0702	Centering	Steel	20	16	-	25	20	25	45
12092.W0704	Centering	Steel	25	16	-	25	20	25	55
12092.W0706	Centering	Steel	20	20	-	35	20	25	100
12092.W0708	Centering	Steel	25	20	-	35	20	25	125
12092.W0710	Centering	Steel	20	25	-	35	20	25	75
12092.W0712	Centering	Steel	25	25	-	35	20	25	95
12092.W0714	Centering	Steel	20	30	-	45	20	25	140
12092.W0716	Centering	Steel	25	30	-	45	20	25	175
12092.W0732	Floating	Steel	20	-	16.8	25	20	25	42
12092.W0734	Floating	Steel	25	-	16.8	25	20	25	52
12092.W0736	Floating	Steel	20	-	20.8	35	20	25	95
12092.W0738	Floating	Steel	25	-	20.8	35	20	25	120
12092.W0740	Floating	Steel	20	-	25.8	35	20	25	70
12092.W0742	Floating	Steel	25	-	25.8	35	20	25	85
12092.W0744	Floating	Steel	20	-	30.8	45	20	25	135
12092.W0746	Floating	Steel	25	-	30.8	45	20	25	165
12092.W0802	Centering	Stainless Steel	20	16	-	25	20	25	45
12092.W0804	Centering	Stainless Steel	25	16	-	25	20	25	55
12092.W0806	Centering	Stainless Steel	20	20	-	35	20	25	100
12092.W0808	Centering	Stainless Steel	25	20	-	35	20	25	125
12092.W0810	Centering	Stainless Steel	20	25	-	35	20	25	75
12092.W0812	Centering	Stainless Steel	25	25	-	35	20	25	95
12092.W0814	Centering	Stainless Steel	20	30	-	45	20	25	140
12092.W0816	Centering	Stainless Steel	25	30	-	45	20	25	175
12092.W0832	Floating	Stainless Steel	20	-	16.8	25	20	25	42
12092.W0834	Floating	Stainless Steel	25	-	16.8	25	20	25	52
12092.W0836	Floating	Stainless Steel	20	-	20.8	35	20	25	95
12092.W0838	Floating	Stainless Steel	25	-	20.8	35	20	25	120
12092.W0840	Floating	Stainless Steel	20	-	25.8	35	20	25	70
12092.W0842	Floating	Stainless Steel	25	-	25.8	35	20	25	85
12092.W0844	Floating	Stainless Steel	20	-	30.8	45	20	25	135
12092.W0846	Floating	Stainless Steel	25	-	30.8	45	20	25	165