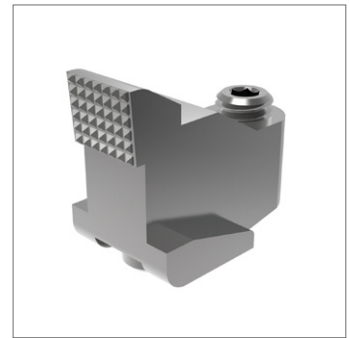
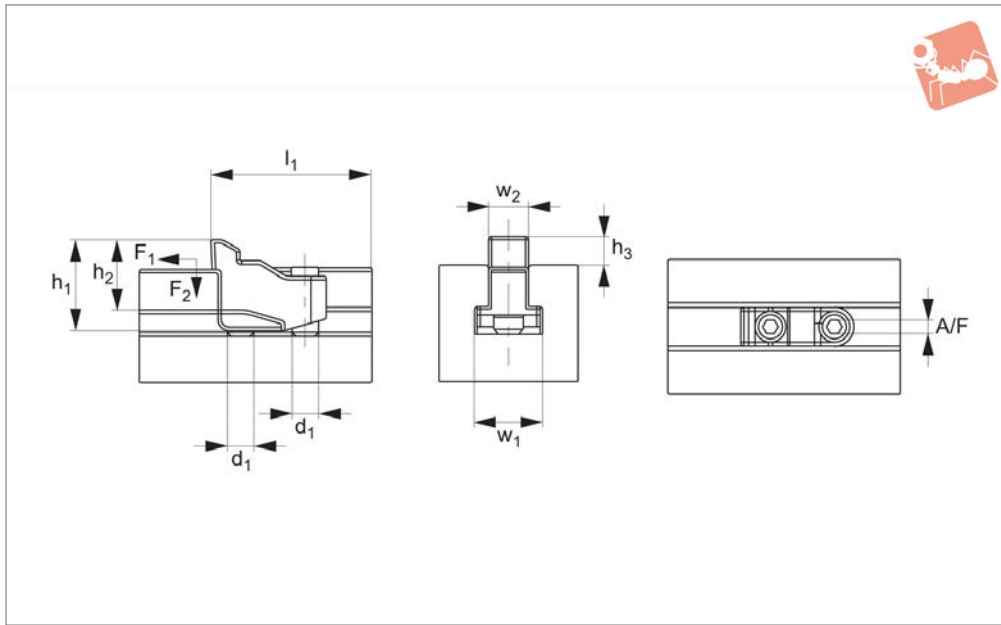




T-Slot Clamp with mounting

Low Profile Side Clamping



12105

LOW PROFILE SIDE CLAMPING

Material

Clamp: steel (AISI 4140), HRc 33-39, blackened.

Plate: stainless steel (AISI 304, 1.4301).

Technical Notes

Extremely small and low height cam clamp offering up to 14 kN. clamping force. Ideal for multi-component fixtures.

Clamp is actuated with use of a hexagon key.

To avoid any deformation to workpiece

during clamping, select our clamping plate type.

Also available with an easy to actuate clamping handle model - see parts 12108.W2012 through .W2116.

Spare clamping plates can be ordered separately, see part no. 12108.W5010 through .W5016.

Dimension w_5 is the recommended distance between mounting hole and workpiece.

Note: $w_5 + 1$ is required distance when

using clamping plates.

Tips

To install, drill and tap required hole to dimensions d_2 and space hole to dimension w_5 away from workpiece surface (or $w_5 + 1$ if using clamping plate).

Fully tighten spiral clamp, then slacken off by one turn. Mount workpiece and then re-tighten clockwise to clamp workpiece.

Place a stop to the right of the workpiece to prevent movement.

Order No.	Slot size	d_1	F_1 kN	F_2 kN	l_1	h_1	h_2	h_3	w_1	w_2	A/F	Weight g
12105.W0012	12	M10	7	3.5	40	31	24	10	22	13.6	5	91
12105.W0016	16	M12	10	5.0	49	39	30	12	28	17.4	6	188
12105.W0020	18	M16	16	8.0	63	50	37	15	35	21.5	8	363