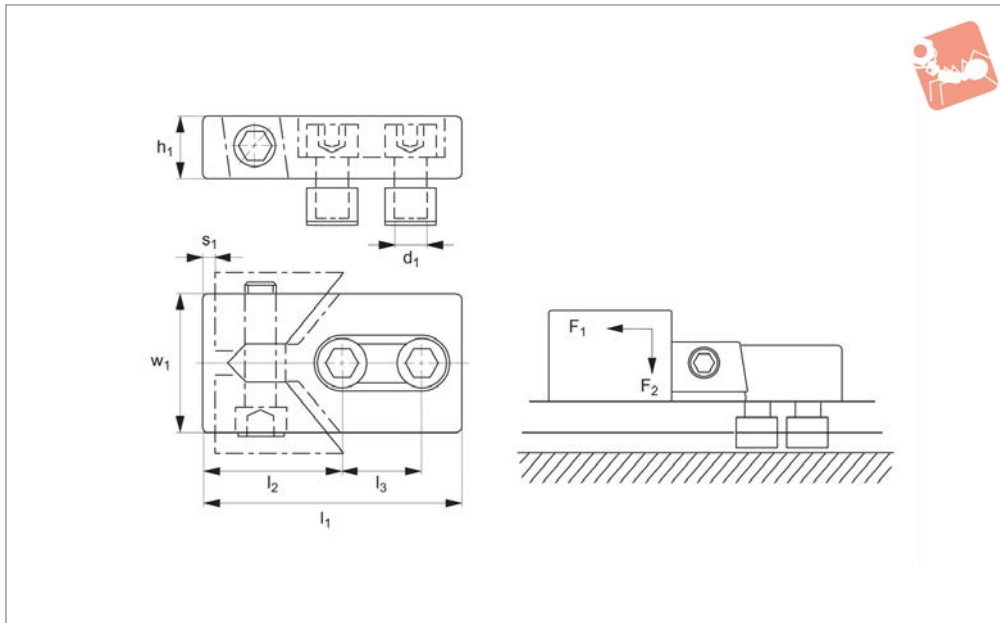




# Clamping Jaws - Low Height downhold action

# Heavy-Duty Side Clamping



**12200**

HEAVY-DUTY SIDE CLAMPING

### Material

Steel, heat treated, blackened.

Acutated on one side via hex. key (provided).

wards into the workpiece.  
**Sold in pairs.**

### Technical Notes

Ideal for clamping low-profile plates.

### Tips

Clamping action is forwards and down-

Order No.	T-slot size	w <sub>1</sub>	d <sub>1</sub>	h <sub>1</sub>	l <sub>1</sub>	l <sub>2</sub>	l <sub>3</sub>	Stroke s <sub>1</sub>	F <sub>1</sub> kN	F <sub>2</sub> kN	Weight/pair g
<b>12200.W0012</b>	12	40	M10	20	80	39	26	3	16	0.6	1150
<b>12200.W0014</b>	14	40	M12	20	80	39	26	3	22	0.9	1250
<b>12200.W0016</b>	16	40	M12	20	80	39	26	3	22	0.9	1330
<b>12200.W0017</b>	16	50	M14	25	100	46	34	4	32	1.2	2340
<b>12200.W0018</b>	18	50	M16	25	100	46	34	4	36	1.4	2540
<b>12200.W0020</b>	20	50	M16	25	100	46	34	4	36	1.4	2660
<b>12200.W0022</b>	22	78	M20	30	140	65	50	5	36	1.4	5980
<b>12200.W0024</b>	24	78	M20	30	140	65	50	5	36	1.4	6330
<b>12200.W0028</b>	28	78	M24	30	140	65	50	5	40	1.6	7060
<b>12200.W0030</b>	30	78	M24	30	140	65	50	5	40	1.6	7580

