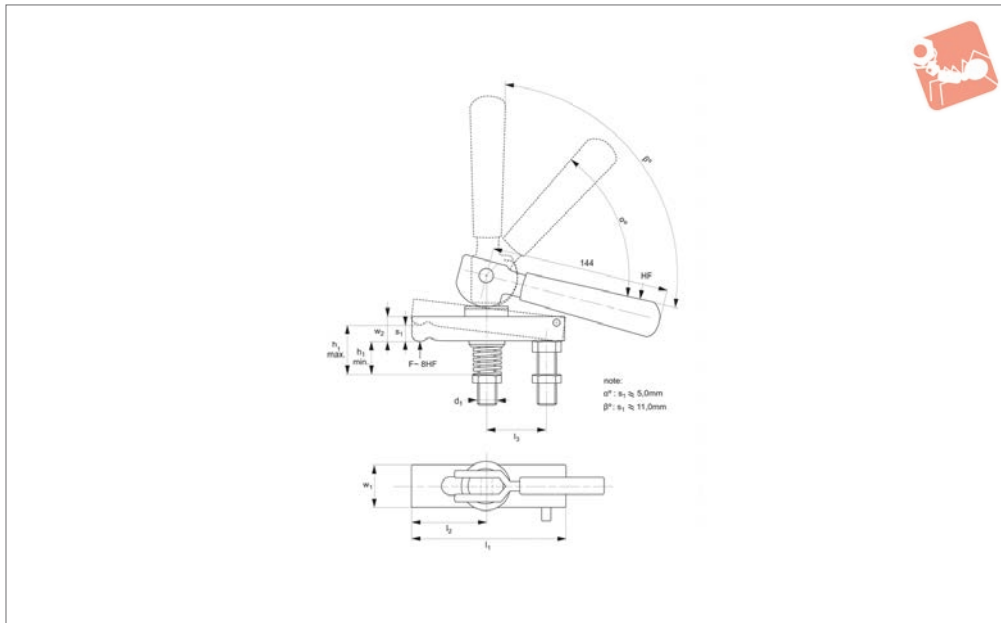




Cam Clamps - Centre Acting with clamp and bolt

Standard
Manual Clam-



18040

STANDARD MANUAL CLAMPING

Material

Body: steel, heat-treated.
Handle: plastic, coated.

Tips

Actuation by hand requires force of approx-

imately 150N (HF).

Important Notes

Clamping force (F) achieved is approximately 8x hand force (HF) applied.

Order No.	w_1	w_2	l_1	d_1	h_1 min.	h_1 max.	l_2	l_3	Weight g
18040.W0001	30	20	100	M12	30	45	21 - 43	32	1000
18040.W0002	40	20	125	M16	35	50	34 - 66	40	1450