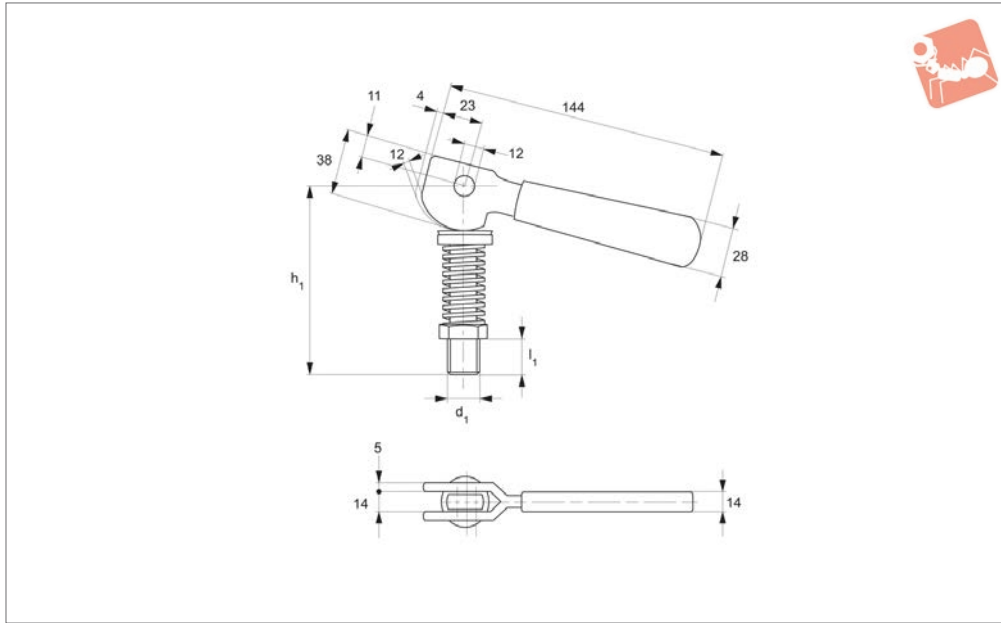




# Cam Levers - Double Surface with bolt

## Standard Manual Clam-



### 18080

STANDARD MANUAL CLAMPING

#### Material

Lever: steel, heat-treated.  
Handle: plastic, coated.

#### Technical Notes

Cam lever for centre clamping.

Order No.	$l_1$	$d_1$	$h_1$	Type	Weight g
18080.W0001	25	M12	110	With Bolt	500
18080.W0002	30	M16	120	With Bolt	610
18080.W0100	-	-	-	Without Bolt	310