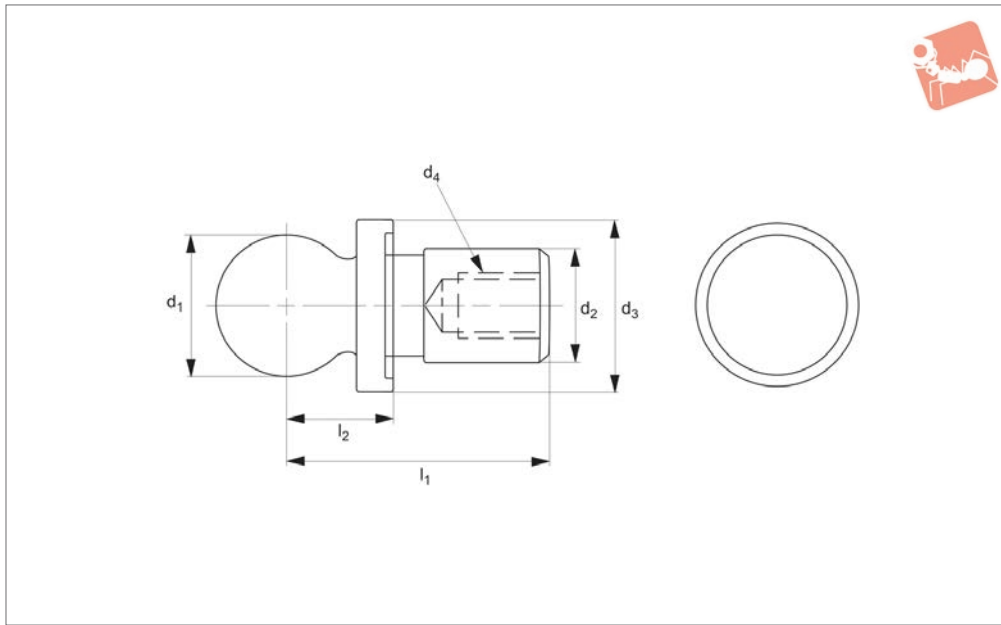




# Inspection Balls - Imperial

short shank - one piece construction

## Gauging & Inspection



**20500**

GAUGING & INSPECTION

### Material

Steel (AISI 8620).

### Technical Notes

Case hardened.

Concentricity of ball to shank ,0001 T.I.R.

### Important Notes

Used as reference points for inspection applications in conjunction with CMMs to

accurately measure the workpiece.

**All dimensions in inches.**

Order No.	$d_1$ +0.0000 -0.0002	$d_2$ +0.0000 -0.0002	$d_3$	$d_4$	$l_1$	$l_2$ $\pm 0.0002$	Weight oz
20500.W0025I	0.250	0.125	1/4"	-	0.58	0.200	0.16
20500.W0037I	0.375	0.187	3/8"	-	0.74	0.300	0.16
20500.W0038I	0.375	0.313	1/2"	8-32	0.74	0.300	0.48
20500.W0050I	0.500	0.250	1/2"	6-32	0.63	0.313	0.48
20500.W0051I	0.500	0.250	1/2"	6-32	0.93	0.400	0.48
20500.W0052I	0.500	0.250	1/2"	6-32	0.88	0.500	0.48
20500.W0053I	0.500	0.375	5/8"	10-24	1.31	0.375	0.96
20500.W0063I	0.625	0.312	5/8"	8-32	1.08	0.450	0.96
20500.W0064I	0.625	0.375	5/8"	10-24	1.42	0.450	1.12
20500.W0068I	0.688	0.375	3/4"	10-24	1.47	0.500	1.44
20500.W0075I	0.750	0.375	3/4"	10-24	1.53	0.562	2.08
20500.W0100I	1.000	0.500	1"	10-24	1.64	0.700	4.00