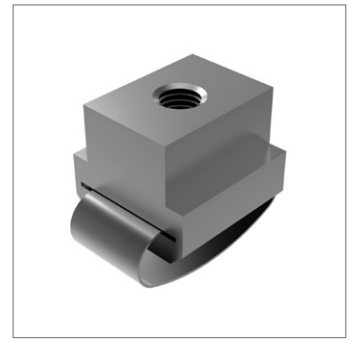
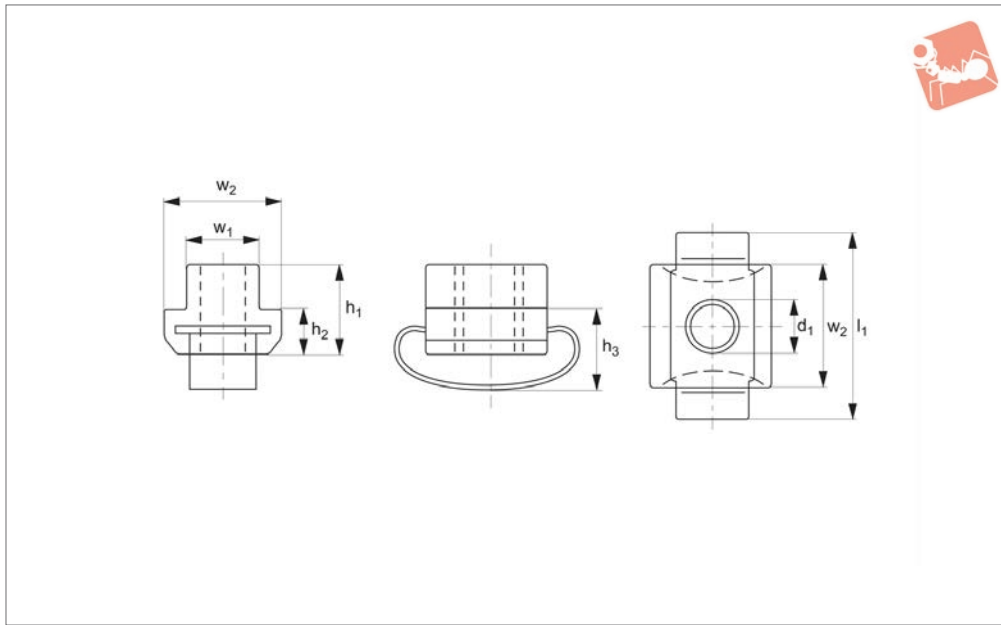




T-Nuts with anti-slip device

T-Nuts & T-Bolts



24010

T-NUTS & T-BOLTS

Material

Steel, heat-treated, quality 10, black.
Spring element: stainless steel.

Technical Notes

The spring element prevents horizontal and vertical slipping of T-nut. Please note

T-nuts are square, length and width are both equal to dimension w_2 .

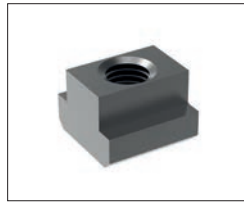
Order No.	d_1 x T-Slot	w_1	w_2	h_1	h_2	h_3	l_1	Weight g
24010.W0121	M 8x12	11.7	18	14	7	12.5	31	24
24010.W0122	M10x12	11.7	18	14	7	12.5	31	21
24010.W0141	M 8x14	13.7	22	16	8	13.5	33	42
24010.W0142	M10x14	13.7	22	16	8	13.5	33	38
24010.W0143	M12x14	13.7	22	16	8	13.5	33	34
24010.W0161	M 8x16	15.7	25	18	9	15.5	42	63
24010.W0162	M10x16	15.7	25	18	9	15.5	42	60
24010.W0182	M10x18	17.7	28	20	10	17.5	43	87
24010.W0185	M16x18	17.7	28	20	10	17.5	43	70
24010.W0223	M20x22	21.7	35	28	14	21.5	56	153



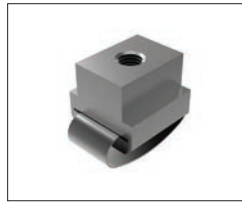


Nuts

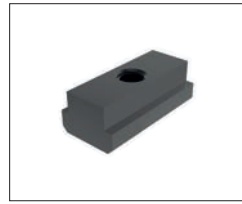
Available in heat treated steel, unless stated otherwise.



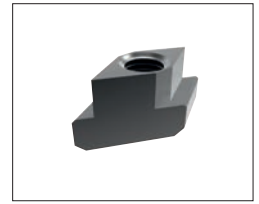
24000 T-Nut, Strength Class 10 DIN 508.



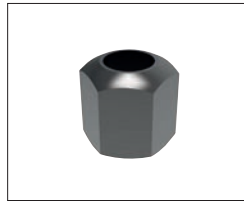
24010 T-Nut with Anti-Slip Device.



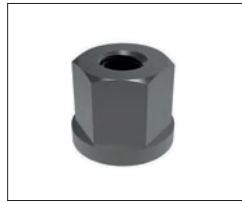
24100 Extended T-Nut. Strength Class 10.



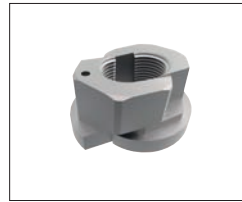
24120 Rhombus T-Nuts



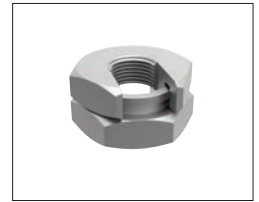
24300 Fixture Nuts. Strength Class 10 - DIN 6330B



24400 Collar Nuts, DIN 6331



24502 Fast Nut - With Collar Rapid Assembly Nut



24520 - Steel Slip-On Lock Nuts - Rapid Assembly Nut.



24600 Extension Nuts Strength Class 10.



24620 Swivel Nuts, Conical Seat

Washers

Available in a range of steel types - see product for details.



25000 - Hardened Steel - Plain Washers. DIN 6340.



25100 - Case Hardened Steel - Spherical Seat Washers. Type C - DIN 6319C.



25400 - Case Hardened Steel - Dished Washers, Type D - DIN 6319D.



25700 - Tempered Steel - Dished Washers, Type G - DIN 6319G.



25900 - Stainless Steel Compact Spherical Washer, Conical Seat, similar to DIN6319