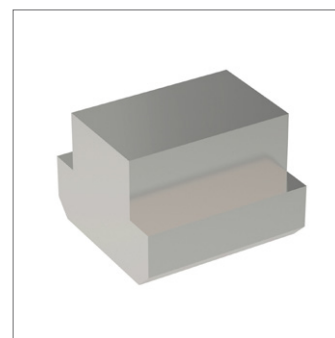
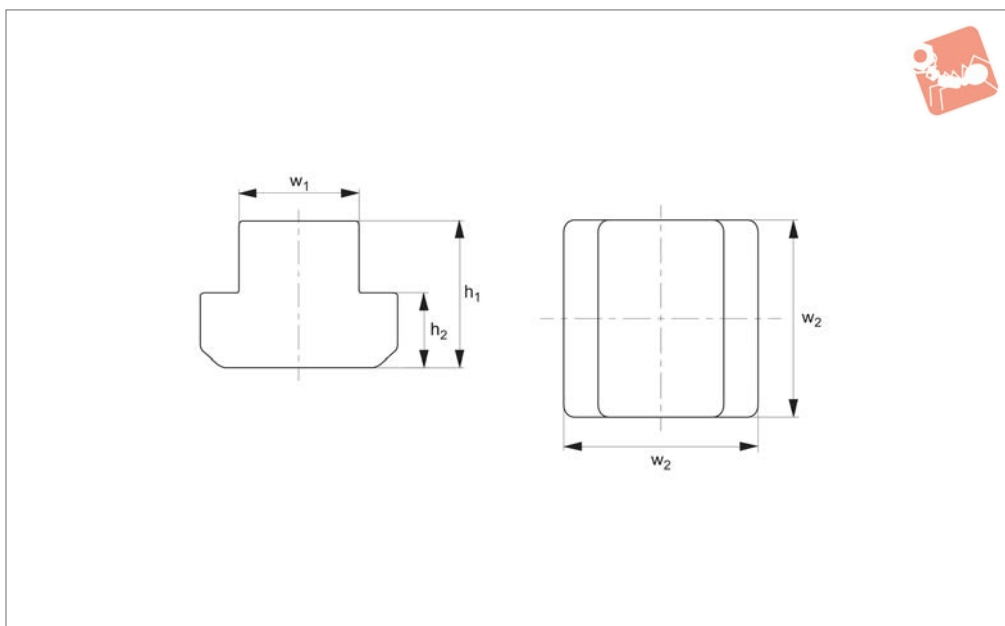




# T-Nuts - Semi Finished stainless steel

## T-Nuts & T-Bolts



### 24180

T-NUTS & T-BOLTS

#### Material

Stainless steel (AISI 304, 1.4301).

#### Technical Notes

Please note T-nuts are square, length and width are both equal to  $w_2$ .

Order No.	T-slot size	$w_1$	$w_2$	$h_1$	$h_2$	Weight g
24180.W0080	8	7.6	13	10	6	10
24180.W0100	10	9.6	15	12	6	17
24180.W0120	12	11.6	18	14	7	27
24180.W0124	14	13.6	22	16	8	46
24180.W0160	16	15.6	25	18	9	68
24180.W0180	18	17.6	28	20	10	95