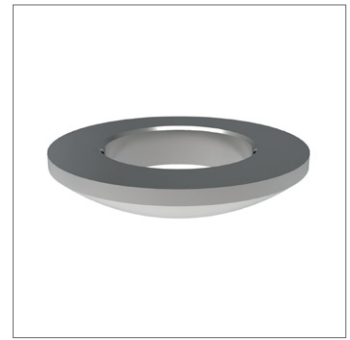
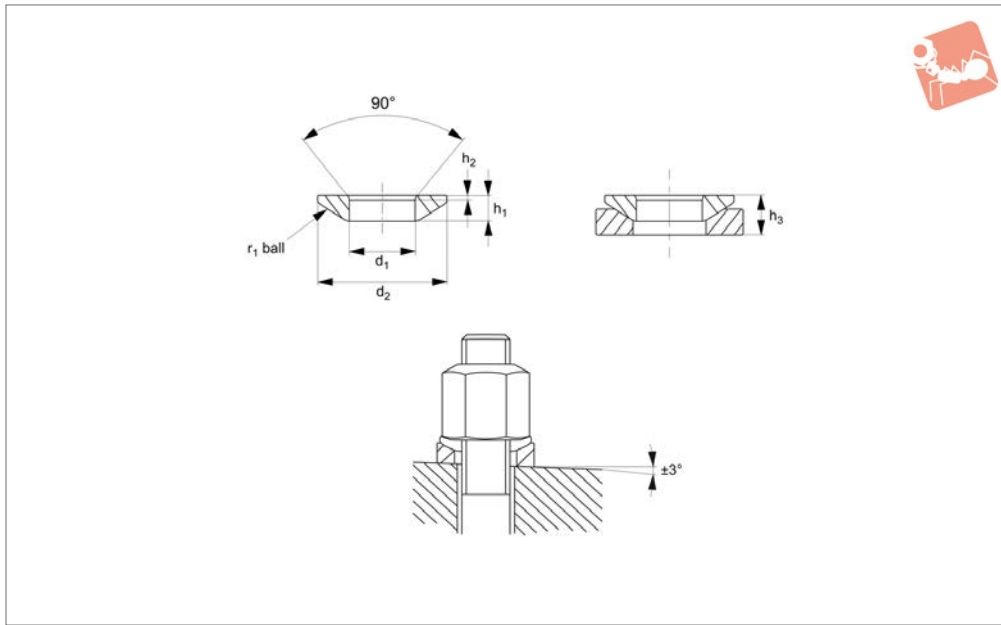




Washers - Spherical Seat type C



Washers



25100

WASHERS

Material

Steel, case-hardened.

Technical Notes

Produced to DIN 6319C.

Used with dished washers no. 25400 (type

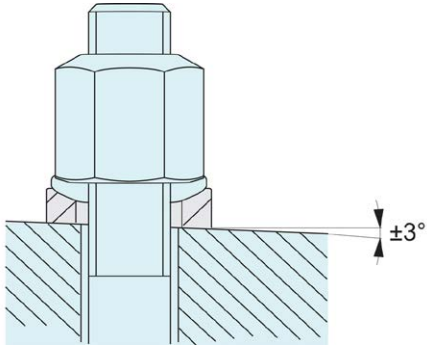
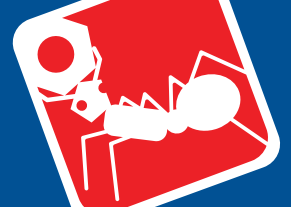
D) and no. 25700 (type G). Dimensions marked * not available in DIN standard.

Tips

When clamping over holes or slots which do not provide full surface contact to the

washer, only use no. 25100 in combination with washer no. 25700 (type G). Do not use in combination with no. 25400 (type D) in such situations.

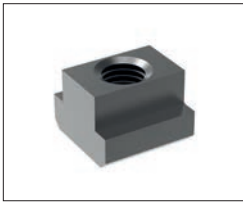
Order No.	For thread	For thread inch	d ₁ tol. H13	d ₂	h ₁	h ₂	r ₁	Load capacity for static load kN max.	With 25400 h ₃	With 25700 h ₃	Weight g
25100.W0106	M 6	1/4"	6,4	12	2,3	0,7	9,0	9	4,2	5,4	1
25100.W0108	M 8	5/16"	8,4	17	3,2	0,6	12,0	17	5,6	7,1	3
25100.W0110	M10	3/8"	10,5	21	4,0	0,8	15,0	26	6,5	7,3	5
25100.W0112	M12	1/2"	13,0	24	4,6	1,1	17,0	38	8,0	9,0	8
25100.W0114	M14		15,0	28	5,0	1,4	22,0	53	8,5	9,5	12
25100.W0116	M16	5/8"	17,0	30	5,3	1,3	22,0	73	9,6	10,4	13
25100.W0120	M20	3/4"	21,0	36	6,3	2,0	27,0	117	11,7	12,2	23
25100.W0122	M22	7/8"	23,0*	40	7,6	2,5	29,5	146	13,5		34
25100.W0124	M24	7/8"	25,0	44	8,2	2,4	32,0	168	15,2	15,7	45
25100.W0127	M27	11/16"	28,0*	50	10,2	3,3	36,0	221	17,0		74
25100.W0130	M30	1-1/8", 1-3/16"	31,0	56	11,2	3,6	41,0	269	19,2	19,7	101
25100.W0133	M33		34,0*	62	13,0	4,4	45,0	326	21,8		150
25100.W0136	M36	1-1/4", 1-3/8"	37,0	68	14,0	4,6	50,0	394	23,5		190
25100.W0139	M39		40,0*	75	16,0	5,6	54,0	460	26,8		218
25100.W0142	M42	1-1/2"	43,0	78	17,0	6,5	58,0	542	29,0		310
25100.W0148	M48	1-3/4"	50,0	92	21,0	8,0	67,0	714	35,5		540
25100.W0152	M52		54,0*	96	22,0	9,3	72,0	832	38,3		620
25100.W0156	M56	2"	58,0*	103	23,0	9,8	79,0	960	39,3		760
25100.W0160	M60		62,0*	112	25,0	11,0	86,0	1122	43,6		990
25100.W0164	M64	2-1/4"	66,0*	120	27,0	12,0	93,0	1269	46,6		1220



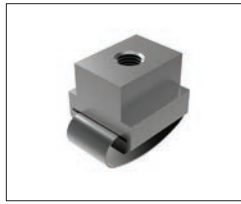


Nuts

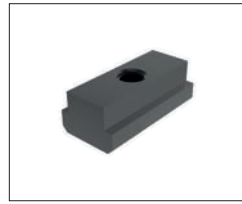
Available in heat treated steel, unless stated otherwise.



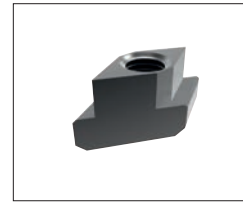
24000 T-Nut, Strength Class 10 DIN 508.



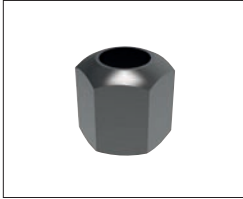
24010 T-Nut with Anti-Slip Device.



24100 Extended T-Nut. Strength Class 10.



24120 Rhombus T-Nuts



24300 Fixture Nuts. Strength Class 10 - DIN 6330B



24400 Collar Nuts, DIN 6331



24502 Fast Nut - With Collar Rapid Assembly Nut



24520 - Steel Slip-On Lock Nuts - Rapid Assembly Nut.



24600 Extension Nuts Strength Class 10.



24620 Swivel Nuts, Conical Seat

Washers

Available in a range of steel types - see product for details.



25000 - Hardened Steel - Plain Washers. DIN 6340.



25100 - Case Hardened Steel - Spherical Seat Washers. Type C - DIN 6319C.



25400 - Case Hardened Steel - Dished Washers, Type D - DIN 6319D.



25700 - Tempered Steel - Dished Washers, Type G - DIN 6319G.



25900 - Stainless Steel Compact Spherical Washer, Conical Seat, similar to DIN6319