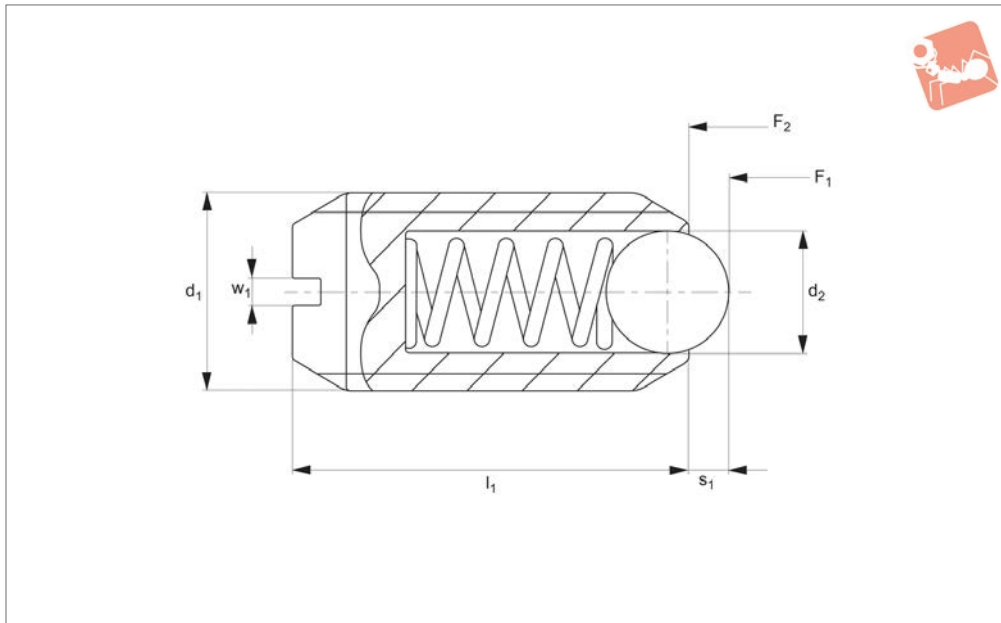




# Spring Plungers with ball & slot - stainless steel



**32100**

SERIES

### Material

#### Free cutting steel type-

Body: free cutting steel, blackened.  
Ball: ball bearing steel 1.3505 (100Cr6) hardened.  
Spring: stainless steel.

#### Stainless steel type-

Body: stainless steel 1.4305 (AISI 303).  
Ball: stainless steel 1.3505 (100Cr6), hardened.  
Spring: stainless steel.

### Technical Notes

These spring plungers may be used for

location, for applying pressure or lifting off.

Temperature range up to 250°C. Spring load \* = statistical average value.

For calculation of indexing resistance please refer to spring plunger technical pages.

### Tips

#### Spring load identifier:

Normal spring load - no marking.  
Increased spring load - body marked with two lines.  
Special types available on request.

### Important Notes

All metric Wixroyd spring plungers have a coarse thread, see appendix five for thread details.

Order No.	Material	Spring load	d <sub>1</sub>	d <sub>2</sub>	l <sub>1</sub>	Spring load F <sub>1</sub> N ≈	Spring load F <sub>2</sub> N ≈	Stroke s <sub>1</sub>	A/F	Weight g
32100.W0002	Steel	Normal	M 2	1.0	4	0.8	1.5	0.3	0.25	0.1
32100.W0003	Steel	Normal	M 3	1.5	7	3.0	4.5	0.4	0.40	0.2
32100.W0004	Steel	Normal	M 4	2.5	9	8.5	14.0	0.8	0.60	0.4
32100.W0005	Steel	Normal	M 5	3.0	12	8.0	14.0	0.9	0.80	1.0
32100.W0006	Steel	Normal	M 6	3.5	14	11.0	18.0	1.0	1.00	1.7
32100.W0008	Steel	Normal	M 8	4.5	16	18.0	31.0	1.5	1.20	3.5
32100.W0010	Steel	Normal	M10	6.0	19	24.0	45.0	2.0	1.50	6.6
32100.W0012	Steel	Normal	M12	8.0	22	26.0	49.0	2.5	2.00	11.0
32100.W0016	Steel	Normal	M16	10.0	24	41.0	86.0	3.5	2.00	23.0
32100.W0020	Steel	Normal	M20	12.0	30	56.0	111.0	4.5	2.50	45.0
32100.W0024	Steel	Normal	M24	15.0	34	81.0	151.0	5.5	3.00	72.0
32100.W0202	Steel	Increased	M 2	1.0	4	1.6	2.0	0.3	0.25	0.1
32100.W0203	Steel	Increased	M 3	1.5	7	6.4	9.5	0.4	0.40	0.3
32100.W0204	Steel	Increased	M 4	2.5	9	12.0	18.0	0.8	0.60	0.4
32100.W0205	Steel	Increased	M 5	3.0	12	15.0	22.0	0.9	0.80	1.0
32100.W0206	Steel	Increased	M 6	3.5	14	19.0	28.0	1.0	1.00	1.7
32100.W0208	Steel	Increased	M 8	4.5	16	36.0	62.0	1.5	1.20	3.6
32100.W0210	Steel	Increased	M10	6.0	19	57.0	104.0	2.0	1.50	6.6
32100.W0212	Steel	Increased	M12	8.0	22	61.0	110.0	2.5	2.00	11.0
32100.W0216	Steel	Increased	M16	10.0	24	68.0	142.0	3.5	2.00	23.0
32100.W0220	Steel	Increased	M20	12.0	30	84.0	166.0	4.5	2.50	43.0
32100.W0224	Steel	Increased	M24	15.0	34	127.0	237.0	5.5	3.00	72.0

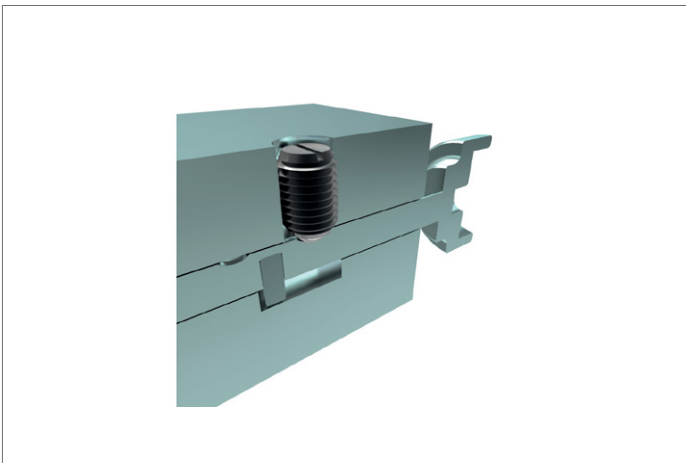
# Spring Plungers

with ball & slot - stainless steel



SERIES

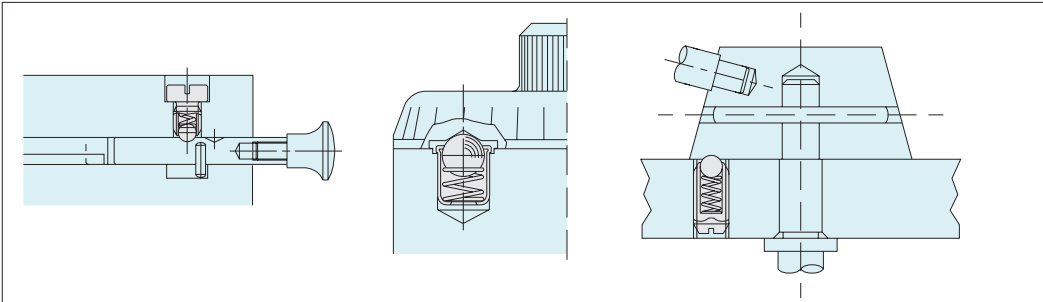
Order No.	Material	Spring load	d <sub>1</sub>	d <sub>2</sub>	l <sub>1</sub>	Spring load F <sub>1</sub> N ≈	Spring load F <sub>2</sub> N ≈	Stroke s <sub>1</sub>	A/F	Weight g
<b>32100.W0402</b>	Stainless	Normal	M 2	1.0	4	0.8	1.5	0.3	0.25	0.1
<b>32100.W0403</b>	Stainless	Normal	M 3	1.5	7	3.0	4.5	0.4	0.40	0.2
<b>32100.W0404</b>	Stainless	Normal	M 4	2.5	9	8.5	14.0	0.8	0.60	0.4
<b>32100.W0405</b>	Stainless	Normal	M 5	3.0	12	8.0	14.0	0.9	0.80	1.0
<b>32100.W0406</b>	Stainless	Normal	M 6	3.5	14	11.0	18.0	1.0	1.00	1.7
<b>32100.W0408</b>	Stainless	Normal	M 8	4.5	16	18.0	31.0	1.5	1.20	3.5
<b>32100.W0410</b>	Stainless	Normal	M10	6.0	19	24.0	45.0	2.0	1.50	6.6
<b>32100.W0412</b>	Stainless	Normal	M12	8.0	22	26.0	49.0	2.5	2.00	11.0
<b>32100.W0416</b>	Stainless	Normal	M16	10.0	24	41.0	86.0	3.5	2.00	23.0
<b>32100.W0420</b>	Stainless	Normal	M20	12.0	30	56.0	111.0	4.5	2.50	45.0
<b>32100.W0424</b>	Stainless	Normal	M24	15.0	34	81.0	151.0	5.5	3.00	72.0
<b>32100.W0602</b>	Steel	Increased	M 2	1.0	4	1.6	2.0	0.3	0.25	0.1
<b>32100.W0603</b>	Steel	Increased	M 3	1.5	7	6.4	9.5	0.4	0.40	0.3
<b>32100.W0604</b>	Steel	Increased	M 4	2.5	9	12.0	18.0	0.6	0.60	0.5
<b>32100.W0605</b>	Stainless	Increased	M 5	3.0	12	15.0	22.0	0.9	0.80	1.0
<b>32100.W0606</b>	Stainless	Increased	M 6	3.5	14	19.0	28.0	1.0	1.00	1.7
<b>32100.W0608</b>	Stainless	Increased	M 8	4.5	16	36.0	62.0	1.5	1.20	3.6
<b>32100.W0610</b>	Stainless	Increased	M10	6.0	19	57.0	104.0	2.0	1.50	6.6
<b>32100.W0612</b>	Stainless	Increased	M12	8.0	22	61.0	110.0	2.5	2.00	11.0
<b>32100.W0616</b>	Stainless	Increased	M16	10.0	24	68.0	142.0	3.5	2.00	23.0
<b>32100.W0620</b>	Stainless	Increased	M20	12.0	30	84.0	166.0	4.5	2.50	43.0
<b>32100.W0624</b>	Stainless	Increased	M24	15.0	34	127.0	237.0	5.5	3.00	72.0





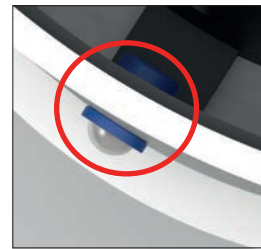
# Wixroyd Spring Plungers

## Wixroyd Spring Plungers - A Range of Endless Possibilities



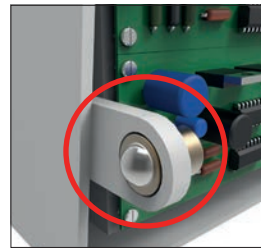
Made of high quality steel and stainless steel, Wixroyd's Spring Plunger range is proven to be reliable for millions of repetitions in securing, positioning, positive locking, indexing and quick release. Their application is limited only by the imagination!

Three push-fit spring plungers no. 32000 have been added to the design of this recessed commercial light fitting. The push-fit design of the plunger makes for easy assembly during production. Their use greatly simplifies the mounting and servicing of the units, reducing handling costs and saving valuable operator time.



### Commercial Lighting

Used in conjunction with a simple hinge, Wixroyd spring plunger 32300 provides an easy and secure means to positively position and secure the back panel of a blood gas analysis machine. With both brass and stainless steel varieties, our spring plungers have a wide range of application in the medical, pharmaceutical, food and drink processing industries.



### Medical Applications

#### Uses

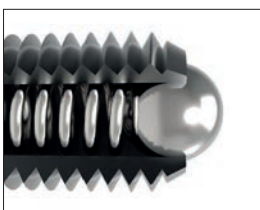
- For location, applying pressure and "lifting off".
- Securing and positioning.
- Positive locking and indexing.
- Quick release.

#### Industry Sectors

- Machine and fixture design.
- Measuring equipment.
- Electronic components.
- Lighting equipment.
- Medical, optics and orthopaedics.

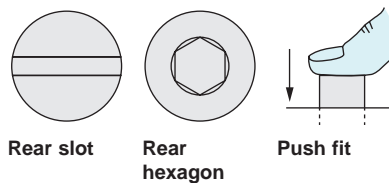
#### Applications

## Wixroyd Spring Plungers - Uses and Mounting Options

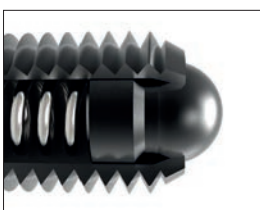


- 31400
- 31420
- 31500
- 32000
- 32100
- 32102
- 32280
- 32300
- 32302
- 32350

#### Mounting Options

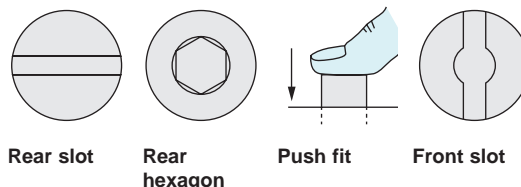


#### Ball Type



- 31000
- 31600
- 32150
- 32200
- 32282
- 32400
- 32420

#### Mounting Options



#### Pin Head Type

# Wixroyd Spring Plungers

quality products



## Quality products every time

### 100% Testing

- Every spring plunger that is produced on the Wixroyd assembly line is individually tested. That is how we guarantee the quality of our products.
- A Wixroyd spring plunger is tested against four key criteria during manufacture.

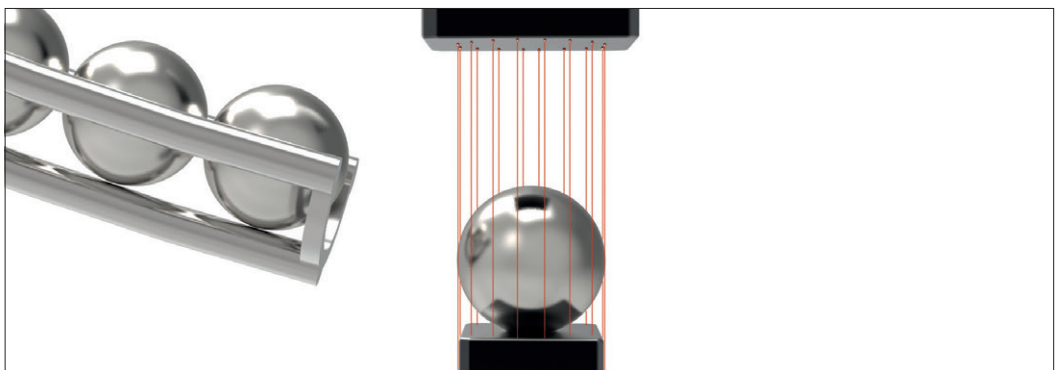
### Accuracy of 'S' Stroke/ Spring Range



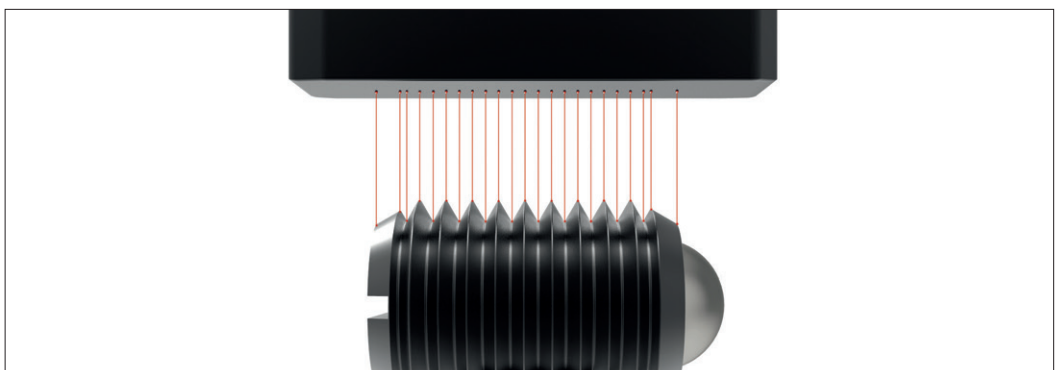
### Accuracy of $f_1$ and $f_2$ Spring Forces



### Accuracy of Ball Diameter



### Accuracy of Thread



SERIES



# Wixroyd Spring Plungers

metric thread

## ISO metric coarse threads (mm)

Thread (D)	3	3,5	4	4,5	5	6	7	8	10	12	14	16	18	20	22	24
Pitch	0,5	0,6	0,7	0,75	0,8	1,0	1,0	1,25	1,5	1,75	2,00	2,0	2,5	2,5	2,5	3,0

## Thread Details

All Wixroyd metric spring plungers have a coarse thread.

## Spring Loads

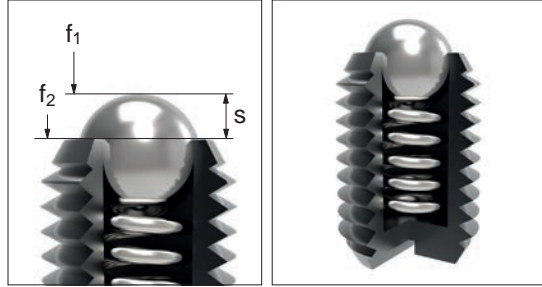
## Typical Spring Repetitions

## Calculating Indexing Resistance

## Electrical Conductivity

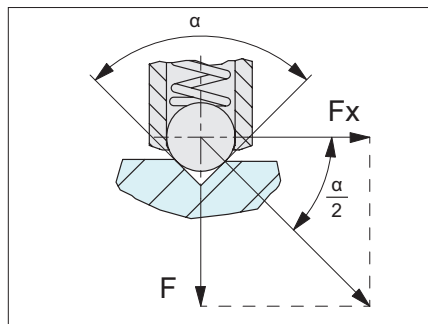
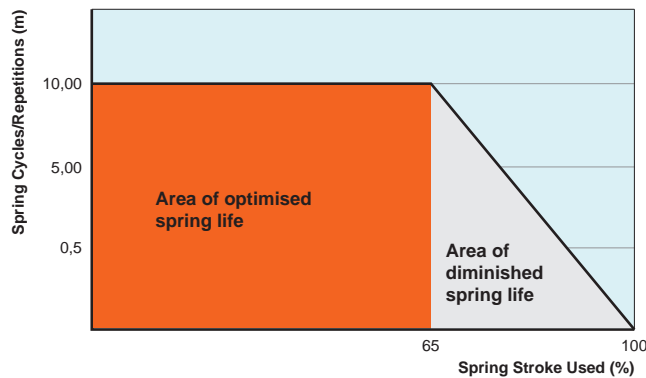
## Specials to Your Own Design

- s** Stroke, or movement of plunger's ball or pin.
- f<sub>1</sub>** The force required in Newtons (N) to overcome the static strength of the spring and achieve initial movement of the plunger's ball or pin.
- f<sub>2</sub>** The force required in Newtons (N) to fully compress the spring until the ball or pin is fully depressed against the plunger's body.



Although dependent upon a number of application specific factors, we are able to give the following guide relating to the maximum number of spring repetitions or cycles of our spring plungers.

- 100% or full stroke "s" used: approx. 300,000 cycles.
- 65% of stroke "s" used: approx 10,000,000 cycles.



We are able to provide the following formula as an approximation of the pull or push force (N) required to 'release' a ball plunger from its indexing counterpart.

$$F_x = \frac{F}{\tan \frac{\alpha}{2}}$$

$F_x$  = pull or push force (N)  
 $F$  = plungers spring force (see relevant product table)  
 $\alpha$  = angle of the indexing counterpart face

**For example:**

For Spring plunger 31500.W0010;  
 $F = 24\text{N}$  (see product table)

**If  $\alpha = 90^\circ$**

$$F_x = \frac{24}{\tan \frac{90}{2}} = 24\text{N}$$

**If  $\alpha = 60^\circ$**

$$F_x = \frac{24}{\tan \frac{60}{2}} = 41,5\text{N}$$

**If  $\alpha = 120^\circ$**

$$F_x = \frac{24}{\tan \frac{120}{2}} = 13,8\text{N}$$

**Important Note: This is only an approximation formula. For more accurate calculation the roughness of the counterpart surface as well as any variation in the plungers spring force (due to age or high repetitions) should be considered.**

We are often asked the electrical conductivity of our spring plungers, unfortunately we are unable to provide any reliable information related to this as there are many factors in an application. We recommend you study the specific material properties of the spring plunger's component parts to make your own calculations, alternatively if in doubt make a test application.

Manufacturing exactly to your specific requirements is also our strength. If you need a variation in spring pressure, plunger body or pin design we can assist with a special design item for volumes as low as 1,000 units.

For further information, or to request a quotation, please call our sales office on 0333 207 4497.