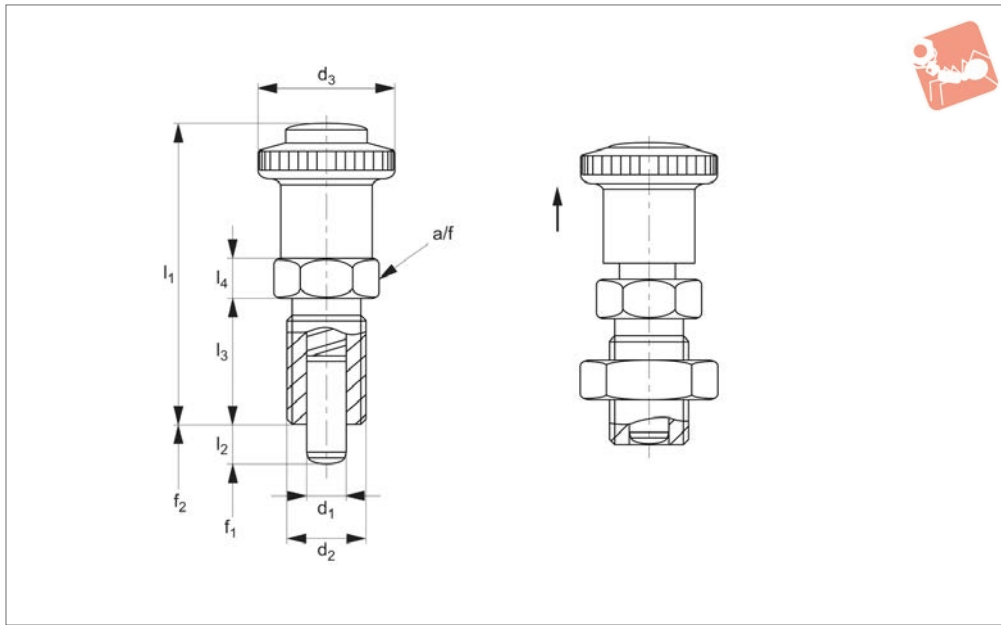




Index Plungers -Pull Grip

Rapid locking head

Index Plunger & Pins



32495

INDEX PLUNGER & PINS

Material

Body:
 Steel: Steel, blackened.
 Stainless: Stainless steel 1.4305.
 Knob: thermoplastic, black-grey, matt.
 Button: thermoplastic POM, red.
 Locking pin. Steel: hardened.
 Stainless: stainless steel 1.4305, nickel-plated.

Technical Notes

Pull knob up, red button flush = pin locked.
 Press red button, red button out = pin unlocked.
 Temperature range -30 to +80 °C.

Tips

Knob is non removable.
 Lock nuts available separately.

Used with:
 32510 Mounting blocks.
 32700 Lock nut .
 32750 Distance collars.
 32752 Locating bushes.
 32753 Locating bushes.

Order No.	Type	d_1 -0.02 -0.04	d_2	d_3	l_1 ≈	l_2 min.	l_3	l_4	A/F	Spring load F_1 N ≈	Spring load F_2 N ≈	Weight g
32495.W0205	Steel	6	M12x1,5	30	53.5	6	22	6	19	6.5	19	47
32495.W0210	Steel	6	M12x1,5	30	53.5	9	22	6	19	6.0	25	48
32495.W0215	Steel	8	M16x1,5	30	59.5	8	26	8	19	8.5	26	74
32495.W0220	Steel	8	M16x1,5	30	59.5	12	26	8	19	8.5	28	77
32495.W0225	Steel	10	M16x1,5	30	59.5	12	26	8	19	9.5	38	78
32495.W0305	Stainless	6	M12x1,5	30	53.5	6	22	6	19	6.5	19	47
32495.W0310	Stainless	6	M12x1,5	30	53.5	9	22	6	19	6.0	25	48
32495.W0315	Stainless	8	M16x1,5	30	59.5	8	26	8	19	8.5	26	74
32495.W0320	Stainless	8	M16x1,5	30	59.5	12	26	8	19	8.5	28	77
32495.W0325	Stainless	10	M16x1,5	30	59.5	12	26	8	19	9.5	38	78



A Wide Selection of Solutions

Applications

- Locating and positioning.
- Indexing.
- Securing.
- Positive locking.
- Rapid adjustment of all kinds of tables, platforms and fixtures.
- Machine and fixture design.
- OEM products.
- Sports equipment.
- Medical aides (wheelchairs etc.).
- Aerospace.
- Machine cabinets.

Materials



Steel with plastic grip



Stainless with plastic grip



Stainless body and grip

Locking or Non Locking



Locking (park)



Non locking (spring back)



Push pull

Handling and Actuation Methods



Standard grip



Lever grip



T-handle



Pull ring



Threaded for bespoke handle

Mounting Options



Fine threaded (standard)



Coarse thread



Flange mount



Thin wall mount



Weldable

Additional Technical Notes

- Unless otherwise stated, grips on index plungers are not removable.
- Many of the pins on index plungers are toleranced to either the pin or the hole. Please refer to the specific product table.
- Index plungers are not recommended for shear load applications.

	Pin Tol.	Hole Tol.
①	h_9	+0,03 +0,08
②	-0,02 -0,04	H_7

Spring Loads

- s** Stroke, or movement of plunger's pin.
- f₁** The force required in Newtons (N) to overcome the static strength of the spring and achieve initial movement of the plunger's pin.
- f₂** The force required in Newtons (N) to fully compress the spring until the pin is fully depressed against the plunger's body.

