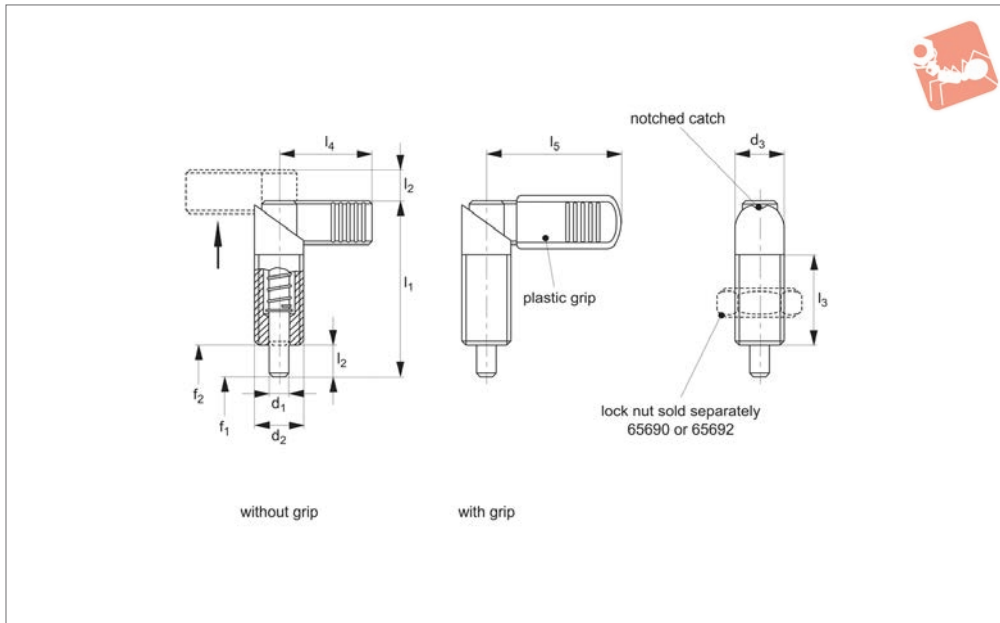




Index Plungers - Lever Grip

locking - stainless

Index Plunger & Pins



32501

INDEX PLUNGER & PINS

Material

Body: stainless steel 1.4305 (AISI 303).
Pin: stainless steel 1.4305 (AISI 303).
Plastic Grip: thermoplastic, black, dull.

Technical Notes

Turn lever 180° to retract pin. To enable

pin to be held in retracted position, secure lever in notched catch on plunger body.

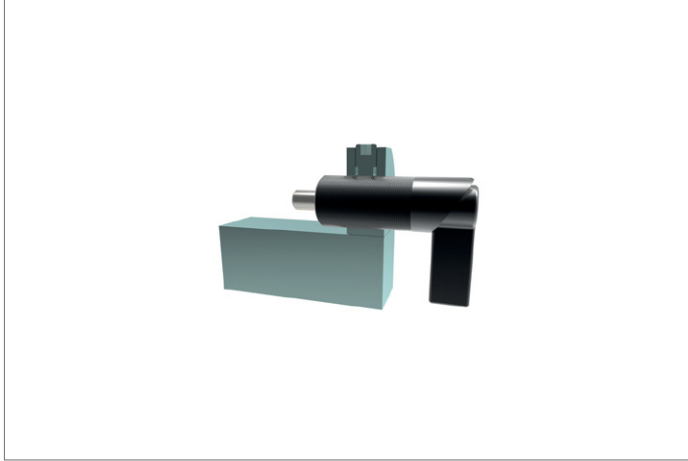
Plastic grip type, improves handling.
Temperature resistance of type with plastic grip is -30°C to +80°C

Lock nuts sold separately. See products 65690 and 65692

Tips

Spring loads * = statistical average.

Order No.	Type	d_1 -0.02 -0.04	d_2	d_3	l_1 ≈	l_2 min.	l_3 +1.5	l_4	l_5	Spring load F_1 N ≈	Spring load F_2 N	Weight g
32501.W0308	Without Grip	4	M10x1,0	10	37.5	6	19	21	-	8.5	25.0	17
32501.W0310	Without Grip	5	M10x1,0	10	37.5	6	19	21	-	8.5	25.0	18
32501.W0312	Without Grip	6	M10x1,0	10	37.5	6	19	21	-	8.5	25.0	18
32501.W0323	Without Grip	5	M12x1,5	12	47	8	26	26	-	8.5	19.5	29.0
32501.W0324	Without Grip	6	M12x1,5	12	47	8	26	26	-	8.5	19.5	29.0
32501.W0326	Without Grip	6	M16x1,5	16	56	10	30	32	-	11.5	30.5	59.0
32501.W0325	Without Grip	8	M12x1,5	12	47	8	26	26	-	8.5	19.5	30.0
32501.W0327	Without Grip	8	M16x1,5	16	56	10	30	32	-	11.5	30.5	61.0
32501.W0328	Without Grip	8	M20x1,5	20	69	12	36	37	-	21.0	57.5	121.0
32501.W0329	Without Grip	10	M16x1,5	16	56	10	30	32	-	11.5	30.5	64.0
32501.W0330	Without Grip	10	M20x1,5	20	69	12	36	37	-	21.0	57.5	123.0
32501.W0332	Without Grip	12	M20x1,5	20	69	12	36	37	-	21.0	57.5	127.0
32501.W0363	With Grip	5	M12x1,5	12	47	8	26	-	32	8.5	19.5	30.0
32501.W0364	With Grip	6	M12x1,5	12	47	8	26	-	32	8.5	19.5	30.0
32501.W0366	With Grip	6	M16x1,5	16	56	10	30	-	42	11.5	30.5	61.0
32501.W0365	With Grip	8	M12x1,5	12	47	8	26	-	32	8.5	19.5	32.0
32501.W0367	With Grip	8	M16x1,5	16	56	10	30	-	42	11.5	30.5	63.0
32501.W0368	With Grip	8	M20x1,5	20	69	12	36	-	52	21.0	57.5	124.0
32501.W0369	With Grip	10	M16x1,5	16	56	10	30	-	42	11.5	30.5	66.0
32501.W0370	With Grip	10	M20x1,5	20	69	12	36	-	52	21.0	57.5	128.0
32501.W0372	With Grip	12	M20x1,5	20	69	12	36	-	52	21.0	57.5	131.0





A Wide Selection of Solutions

- Locating and positioning.
- Indexing.
- Securing.
- Positive locking.
- Rapid adjustment of all kinds of tables, platforms and fixtures.
- Machine and fixture design.
- OEM products.
- Sports equipment.
- Medical aides (wheelchairs etc.).
- Aerospace.
- Machine cabinets.

Applications

Materials

Locking or Non Locking

Handling and Actuation Methods

Mounting Options

Additional Technical Notes

Spring Loads



Steel with plastic grip



Stainless with plastic grip



Stainless body and grip



Locking (park)



Non locking (spring back)



Push pull



Standard grip



Lever grip



T-handle



Pull ring



Threaded for bespoke handle



Fine threaded (standard)



Coarse thread



Flange mount



Thin wall mount



Weldable

- Unless otherwise stated, grips on index plungers are not removable.
- Many of the pins on index plungers are toleranced to either the pin or the hole. Please refer to the specific product table.
- Index plungers are not recommended for shear load applications.

	Pin Tol.	Hole Tol.
①	h_9	+0,03 +0,08
②	-0,02 -0,04	H_7

s Stroke, or movement of plunger's pin.

f₁ The force required in Newtons (N) to overcome the static strength of the spring and achieve initial movement of the plunger's pin.

f₂ The force required in Newtons (N) to fully compress the spring until the pin is fully depressed against the plunger's body.

