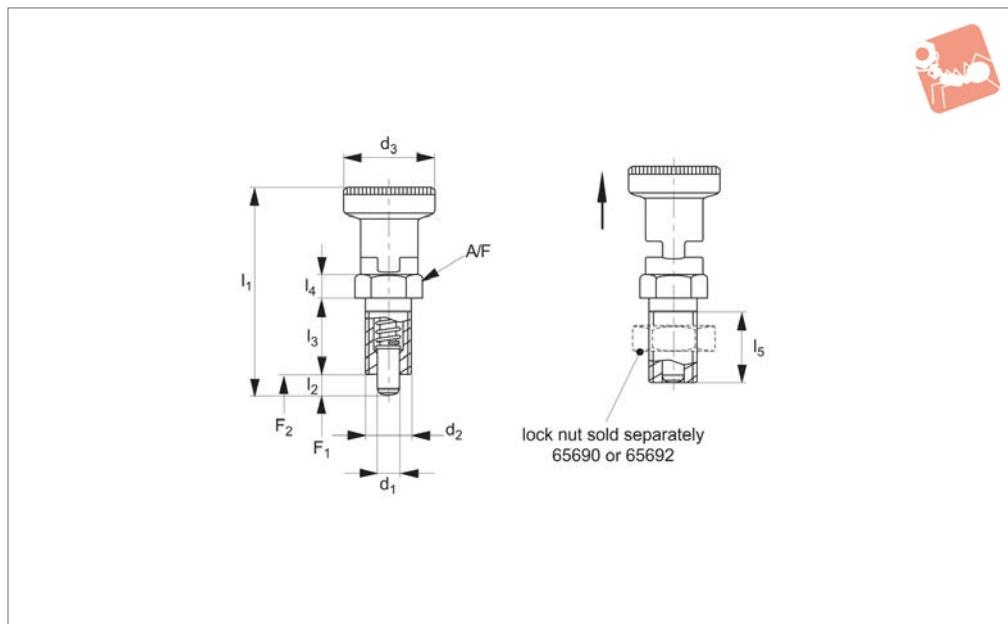




# Index Plunger - Pull Grip

locking - all stainless

# Index Plunger & Pins



## 32712

INDEX PLUNGER & PINS

### Material

#### All Stainless Steel Type-

Body: stainless steel 1.4305 (AISI 303).  
Pin: stainless steel 1.4305, nickel plated.  
Grip: stainless steel 1.4305 (AISI 303).  
Spring: stainless steel 1.4310 (AISI 301).

### Technical Notes

„Locking“ type- enable pin to be held in retracted/non-projecting position; pull

back grip, turn 90° to engage ‚locking‘ on a notched catch.

Thread recess on body allows full engagement of thread length. Hexagon collar improves leverage for secure installation. Temperature resistance from -30° to +80°C.

Distance collars no. 32750 can be used to adapt screw length.

**Lock nuts sold separately.** See Products 65690 and 65692

### Tips

Complete stainless steel construction designed with specific demands of food processing, pharmaceutical and water treatment industries in mind. Grip non-removable. Spring Loads\* = statistical average.

Order No.	Type	$d_1$ -0.02 -0.04	$d_2$	$d_3$	$l_1$ ≈	$l_2$ min.	$l_3$	$l_4$	$l_5$	A/F	Spring load $F_1$ N ≈	Spring load $F_2$ N ≈	Weight g
<b>32712.W0705</b>	Locking	5	M10x1,0	21	51.0	5	17	5	15	12	6.0	14	43
<b>32712.W0706</b>	Locking	6	M12x1,5	25	61.0	6	20	6	17	14	5.5	13	71
<b>32712.W0708</b>	Locking	8	M16x1,5	31	75.5	7	26	8	23	19	11.5	28	144
<b>32712.W0710</b>	Locking	10	M20x1,5	31	91.0	10	33	10	30	22	28.0	54	202



## A Wide Selection of Solutions

### Applications

- Locating and positioning.
- Indexing.
- Securing.
- Positive locking.
- Rapid adjustment of all kinds of tables, platforms and fixtures.
- Machine and fixture design.
- OEM products.
- Sports equipment.
- Medical aides (wheelchairs etc.).
- Aerospace.
- Machine cabinets.

### Materials



Steel with plastic grip



Stainless with plastic grip



Stainless body and grip

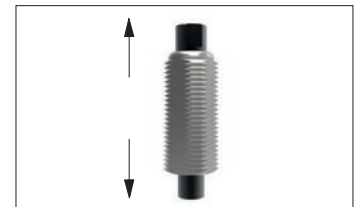
### Locking or Non Locking



Locking (park)



Non locking (spring back)



Push pull

### Handling and Actuation Methods



Standard grip



Lever grip



T-handle



Pull ring



Threaded for bespoke handle

### Mounting Options



Fine threaded (standard)



Coarse thread



Flange mount



Thin wall mount



Weldable

### Additional Technical Notes

- Unless otherwise stated, grips on index plungers are not removable.
- Many of the pins on index plungers are toleranced to either the pin or the hole. Please refer to the specific product table.
- Index plungers are not recommended for shear load applications.

	Pin Tol.	Hole Tol.
①	$h_9$	+0,03 +0,08
②	-0,02 -0,04	$H_7$

### Spring Loads

- s** Stroke, or movement of plunger's pin.
- f<sub>1</sub>** The force required in Newtons (N) to overcome the static strength of the spring and achieve initial movement of the plunger's pin.
- f<sub>2</sub>** The force required in Newtons (N) to fully compress the spring until the pin is fully depressed against the plunger's body.

