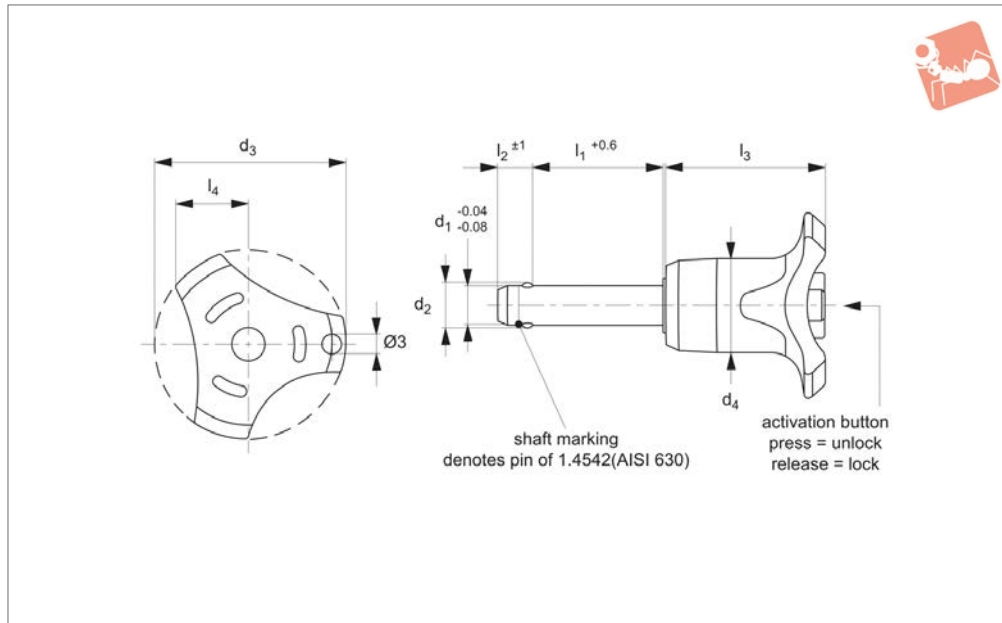




Ball Lock Pins - Single Acting - Grey self-locking - stainless steel 1.4542 (AISI 630)

Ball Lock Pins & Quick Release



33060.GR

BALL LOCK PINS & QUICK RELEASE PINS

Material

Pin: stainless steel 1,4542 (AISI 630), precipitation hardened, blast finish. (marked at end of shaft to denote 1.4542 material).

Ball: stainless steel 1.3541

Spring: stainless steel.

Handle: thermoplastic PA 6.

Available colours: grey/orange, grey/blue, grey/grey, black/black.

Technical Notes

Pressing = unlocking.

Releasing = locking.

Temperature resistance -30°C to +80°C.

For quick fastening and locking of frequently repeated connections.

Tips

For lanyards & retaining cables see part no.33250. Easy install locating bushes

available see part no.33248.

Important Notes

Extreme load capacity due to high material grade.

*Shearing resistance similar to DIN 50141.

Also available in stainless grade 1.4305 (AISI 303), see part no.33080.

Order No.	d ₁	l ₁	d ₂	d ₃	d ₄	l ₂	l ₃	l ₄	Loc'n hole tol. H11	Shearing resistance, double kN min.	Weight g
33060.W0292	5	10	5.5	33.2	14.5	6.0	26.7	10.8	5	24	15
33060.W0293	5	15	5.5	33.2	14.5	6.0	26.7	10.8	5	24	15
33060.W0294	5	20	5.5	33.2	14.5	6.0	26.7	10.8	5	24	16
33060.W0295	5	25	5.5	33.2	14.5	6.0	26.7	10.8	5	24	17
33060.W0296	5	30	5.5	33.2	14.5	6.0	26.7	10.8	5	24	18
33060.W0297	6	60	7.0	33.2	14.5	7.0	26.7	10.8	6	21	26
33060.W0298	6	70	7.0	33.2	14.5	7.0	26.7	10.8	6	21	28
33060.W0299	6	80	7.0	33.2	14.5	7.0	26.7	10.8	6	21	30
33060.W0285	5	35	5.5	33.3	14.5	6.0	26.7	10.8	5	14	19
33060.W0286	5	40	5.5	33.4	14.5	6.0	26.7	10.8	5	14	20
33060.W0287	5	45	5.5	33.5	14.5	6.0	26.7	10.8	5	14	21
33060.W0288	5	50	5.5	33.6	14.5	6.0	26.7	10.8	5	14	23
33060.W0289	5	60	5.5	33.7	14.5	6.0	26.7	10.8	5	14	24
33060.W0290	5	70	5.5	33.8	14.5	6.0	26.7	10.8	5	14	18
33060.W0291	5	80	5.5	33.9	14.5	6.0	26.7	10.8	5	14	19
33060.W0301	8	100	9.6	39.2	18.4	8.2	33.3	13.4	8	38	54
33060.W0302	6	10	7.0	33.2	14.5	7.0	26.7	10.8	6	35	16
33060.W0303	6	15	7.0	33.2	14.5	7.0	26.7	10.8	6	35	17
33060.W0304	6	20	7.0	33.2	14.5	7.0	26.7	10.8	6	35	18
33060.W0305	6	25	7.0	33.2	14.5	7.0	26.7	10.8	6	35	19
33060.W0306	6	30	7.0	33.2	14.5	7.0	26.7	10.8	6	35	20
33060.W0307	6	35	7.0	33.2	14.5	7.0	26.7	10.8	6	35	21
33060.W0308	6	40	7.0	33.2	14.5	7.0	26.7	10.8	6	35	22
33060.W0309	6	45	7.0	33.2	14.5	7.0	26.7	10.8	6	35	23
33060.W0310	6	50	7.0	33.2	14.5	7.0	26.7	10.8	6	35	24
33060.W0311	8	90	7.0	39.2	18.4	8.2	33.3	13.4	8	38	36

Ball Lock Pins & Quick Release

Ball Lock Pins - Single Acting - Grey

self-locking - stainless steel 1.4542 (AISI 630)



BALL LOCK PINS & QUICK RELEASE PINS

Order No.	d ₁	l ₁	d ₂	d ₃	d ₄	l ₂	l ₃	l ₄	Loc'n hole tol. H11	Shearing resistance, double kN min.	Weight g
33060.W0312	8	10	9.6	39.2	18.5	8.2	33.3	13.4	8	38	38
33060.W0313	8	15	9.6	39.2	18.5	8.2	33.3	13.4	8	38	58
33060.W0314	8	20	9.6	39.2	19.3	8.2	33.3	13.4	8	63	40
33060.W0315	8	25	9.6	39.2	19.3	8.2	33.3	13.4	8	63	42
33060.W0316	8	30	9.6	39.2	19.3	8.2	33.3	13.4	8	63	44
33060.W0317	8	35	9.6	39.2	19.3	8.2	33.3	13.4	8	63	46
33060.W0318	8	40	9.6	39.2	19.3	8.2	33.3	13.4	8	63	47
33060.W0319	8	45	9.6	39.2	19.3	8.2	33.3	13.4	8	63	49
33060.W0320	8	50	9.6	39.2	19.3	8.2	33.3	13.4	8	63	51
33060.W0321	8	50	9.6	39.2	19.3	8.2	33.3	13.4	8	63	51
33060.W0322	8	50	9.6	39.2	19.3	8.2	33.3	13.4	8	63	51
33060.W0323	8	80	9.6	39.2	18.4	8.2	33.3	13.4	8	38	69
33060.W0324	10	20	12.0	39.2	19.3	9.6	33.3	13.4	10	100	47
33060.W0325	10	25	12.0	39.2	19.3	9.6	33.3	13.4	10	100	49
33060.W0326	10	30	12.0	39.2	19.3	9.6	33.3	13.4	10	100	53
33060.W0327	10	35	12.0	39.2	19.3	9.6	33.3	13.4	10	100	55
33060.W0328	10	40	12.0	39.2	19.3	9.6	33.3	13.4	10	100	58
33060.W0329	10	45	12.0	39.2	19.3	9.6	33.3	13.4	10	100	61
33060.W0330	10	50	12.0	39.2	19.3	9.6	33.3	13.4	10	100	64
33060.W0331	10	15	12.0	39.2	18.4	9.6	33.3	13.4	10	60	86
33060.W0332	10	60	12.0	39.2	19.3	9.6	33.3	13.4	10	100	70
33060.W0333	10	91	12.0	39.2	18.4	9.6	33.3	13.4	10	60	70
33060.W0334	10	80	12.0	39.2	18.4	9.6	33.3	13.4	10	60	97
33060.W0335	10	90	12.0	39.2	18.4	9.6	33.3	13.4	10	60	103
33060.W0336	10	100	12.0	39.2	18.4	9.6	33.3	13.4	10	60	109
33060.W0337	10	110	12.0	39.2	18.4	9.6	33.3	13.4	10	60	115
33060.W0338	10	120	12.0	39.2	18.4	9.6	33.3	13.4	10	60	53
33060.W0339	12	20	14.5	47.6	25.2	10.6	39.7	16.7	12	87	156
33060.W0344	12	20	14.5	47.6	26.3	10.6	39.7	16.7	12	87	156
33060.W0345	12	25	14.5	47.6	26.3	10.6	39.7	16.7	12	144	96
33060.W0346	12	30	14.5	47.6	26.3	10.6	39.7	16.7	12	144	100
33060.W0347	12	35	14.5	47.6	26.3	10.6	39.7	16.7	12	144	105
33060.W0348	12	40	14.5	47.6	26.3	10.6	39.7	16.7	12	144	109
33060.W0349	12	45	14.5	47.6	26.3	10.6	39.7	16.7	12	144	113
33060.W0350	12	50	14.5	47.6	26.3	10.6	39.7	16.7	12	144	117
33060.W0352	12	60	14.5	47.6	26.3	10.6	39.7	16.7	12	144	126
33060.W0354	12	70	14.5	47.6	26.3	10.6	39.7	16.7	12	144	134
33060.W0356	12	80	14.5	47.6	26.3	10.6	39.7	16.7	12	144	143
33060.W0357	12	90	14.5	47.6	25.2	10.6	39.7	16.7	12	87	165
33060.W0358	12	100	14.5	47.6	25.2	10.6	39.7	16.7	12	87	173
33060.W0359	12	110	14.5	47.6	25.2	10.6	39.7	16.7	12	87	182
33060.W0360	12	120	14.5	47.6	25.2	10.6	39.7	16.7	12	87	96
33060.W0366	16	30	19.0	47.6	26.3	14.0	39.7	16.7	16	257	132
33060.W0367	16	35	19.0	47.6	26.3	14.0	39.7	16.7	16	257	140
33060.W0368	16	40	19.0	47.6	26.3	14.0	39.7	16.7	16	257	148
33060.W0369	16	45	19.0	47.6	26.3	14.0	39.7	16.7	16	257	155
33060.W0370	16	50	19.0	47.6	26.3	14.0	39.7	16.7	16	257	168
33060.W0372	16	60	19.0	47.6	26.3	14.0	39.7	16.7	16	257	178
33060.W0374	16	70	19.0	47.6	26.3	14.0	39.7	16.7	16	257	194
33060.W0376	16	80	19.0	47.6	26.3	14.0	39.7	16.7	16	257	208
33060.W0377	16	90	19.0	47.6	25.2	14.0	39.7	16.7	16	155	234
33060.W0378	16	100	19.0	47.6	25.2	14.0	39.7	16.7	16	155	251
33060.W0379	16	110	19.0	47.6	25.2	14.0	39.7	16.7	16	155	266
33060.W0380	16	120	19.0	47.6	25.2	14.0	39.7	16.7	16	155	281
33060.W0381	16	130	19.0	47.6	25.2	14.0	39.7	16.7	16	155	297
33060.W0382	16	140	19.0	47.6	25.2	14.0	39.7	16.7	16	155	313
33060.W0383	16	150	19.0	47.6	25.2	14.0	39.7	16.7	16	155	328
33060.W0391	20	50	25.0	57.1	33.8	20.5	50.7	21.5	20	403	329
33060.W0392	20	60	25.0	57.1	35.4	20.5	50.7	21.5	20	403	343
33060.W0393	20	90	25.0	57.1	33.8	20.5	50.7	21.5	20	403	377
33060.W0396	20	80	25.0	57.1	35.4	20.5	50.7	21.5	20	403	392
33060.W0397	20	90	25.0	57.1	33.8	20.5	50.7	21.5	20	403	426
33060.W0400	20	100	25.0	57.1	35.4	20.5	50.7	21.5	20	403	440
33060.W0401	20	110	25.0	57.1	33.8	20.5	50.7	21.5	20	403	474
33060.W0404	20	120	25.0	57.1	35.4	20.5	50.7	21.5	20	403	488
33060.W0405	20	130	25.0	57.1	33.8	20.5	50.7	21.5	20	403	523
33060.W0406	20	140	25.0	57.1	33.8	20.5	50.7	21.5	20	403	546



Ball Lock Pins - Single Acting - Grey

self-locking - stainless steel 1.4542 (AISI 630)

Ball Lock Pins & Quick Release



Order No.	d ₁	l ₁	d ₂	d ₃	d ₄	l ₂	l ₃	l ₄	Loc'n hole tol. H11	Shearing resistance, double kN min.	Weight g
33060.W0407	20	150	25.0	57.1	33.8	20.5	50.7	21.5	20	403	571
33060.W0409	25	50	30.8	57.1	33.8	22.0	50.7	21.5	25	631	415
33060.W0410	25	60	30.8	57.1	33.8	22.0	50.7	21.5	25	631	453
33060.W0411	25	70	30.8	57.1	33.8	22.0	50.7	21.5	25	631	490
33060.W0412	25	80	30.8	57.1	33.8	22.0	50.7	21.5	25	631	528
33060.W0413	25	90	30.8	57.1	33.8	22.0	50.7	21.5	25	631	565
33060.W0414	25	100	30.8	57.1	33.8	22.0	50.7	21.5	25	631	603
33060.W0415	25	110	30.8	57.1	33.8	22.0	50.7	21.5	25	631	640
33060.W0416	25	120	30.8	57.1	33.8	22.0	50.7	21.5	25	631	678
33060.W0417	25	130	30.8	57.1	33.8	22.0	50.7	21.5	25	631	715
33060.W0418	25	140	30.8	57.1	33.8	22.0	50.7	21.5	25	631	753
33060.W0419	25	150	30.8	57.1	33.8	22.0	50.7	21.5	25	631	790



BALL LOCK PINS & QUICK RELEASE PINS



Sound Rigging Systems

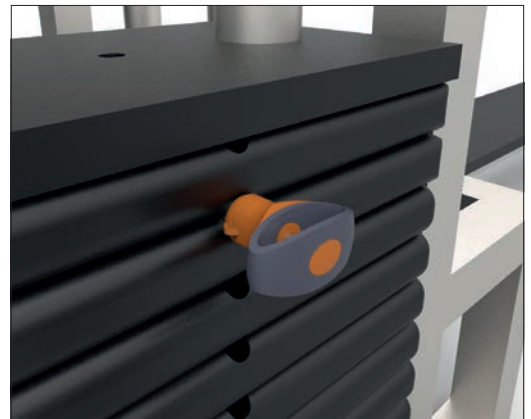
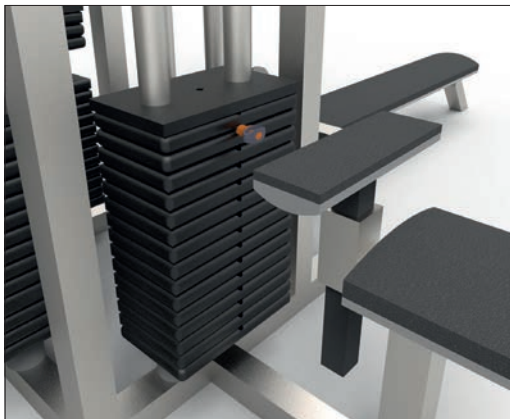
Ball lock pins on a sound rigging system. Offering secure fixing with high shear forces and easy fitting for operators at heights.

In addition full black powder coating of grip and actuation button eliminates glare from other stage lighting.

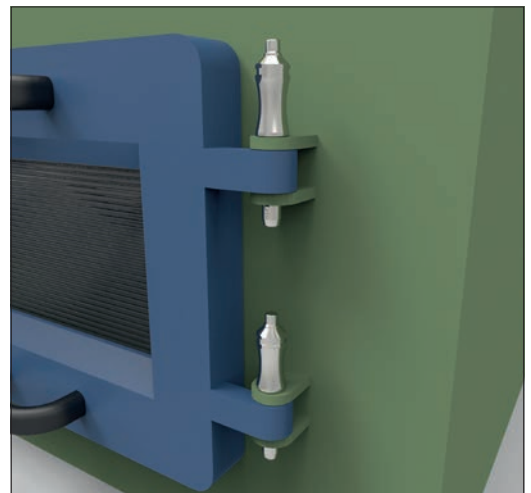
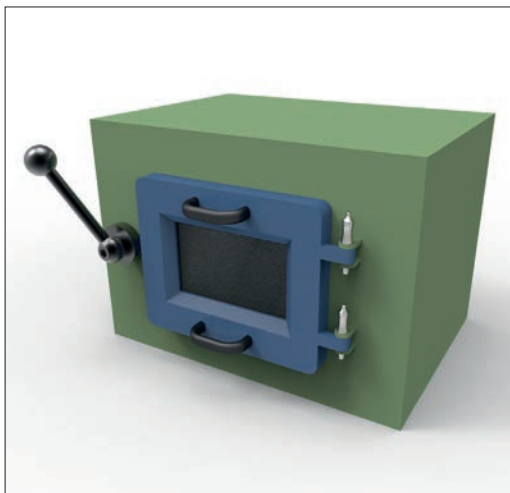


BALL LOCK PINS & QUICK RELEASE PINS

Gym Equipment



Scientific and Medical





Wixroyd Ball Lock Pins

features

33060 - 33250

Positioning Elements

1.4305 (AISI 303) - shear force approx. 60% of higher material version 1.4542

1.4542 (AISI 630) - identified by the ridge on the pin

CRES 17-4PH (AMS 5643) aviation standard



Pin Material



Handle Style

Plastic tri-star T-handled, metal L-handled, metal Mushroom, metal Single piece metal, contoured



Special plastic self-spring Adjustable grip length, plastic Key ring Safety, metal Mushroom Type B aviation Type R aviation



Lanyards and Locating Bushes

Stainless wire - (coated) - 2 x key ring Stainless wire - Key ring and fixing loop Plastic - 2 x cable tie Steel wire - (coated) - 2 x key ring Stainless bead chain - 2 x key ring Locating bushes

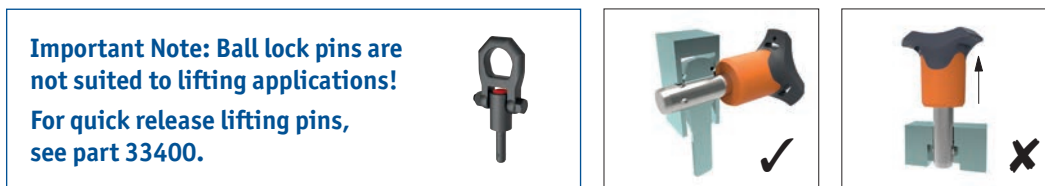


Actuation

Press = unlock
Release = lock (standard)

Press = unlock and position
Release = lock and simultaneous clamp

Simple spring loaded balls "pullout pin"



Important Note

Important Note: Ball lock pins are not suited to lifting applications!
For quick release lifting pins, see part 33400.

Shear force

Lifting force



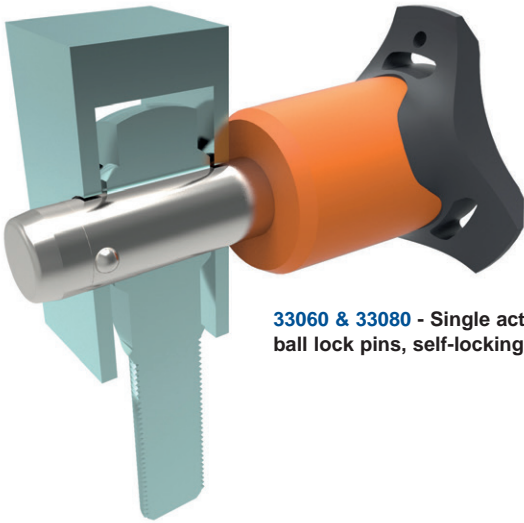
Special Variations

Variations on our standard designs are possible, please contact our sales team for technical assistance. Quick production on specials can be as little as 3 weeks.



Applications

- Positioning.
- Lifting.
- Locking.
- Indexing.
- Joining.



33060 & 33080 - Single acting ball lock pins, self-locking.



33194 - Single acting ball lock pins, self locking, simple finish.



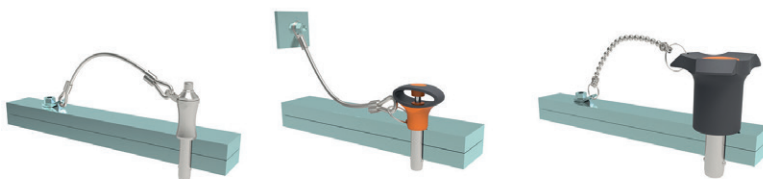
33140 - Socket pins, non-locking, spring loaded balls.



33100 - Single acting ball lock pin, self locking.



33180 - Clamping pins, with span compensation, self-locking.



33250 & 33270 - Lanyards.



33220 - Ball lock pins, single acting - L-handle