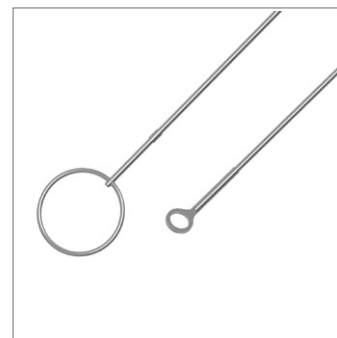
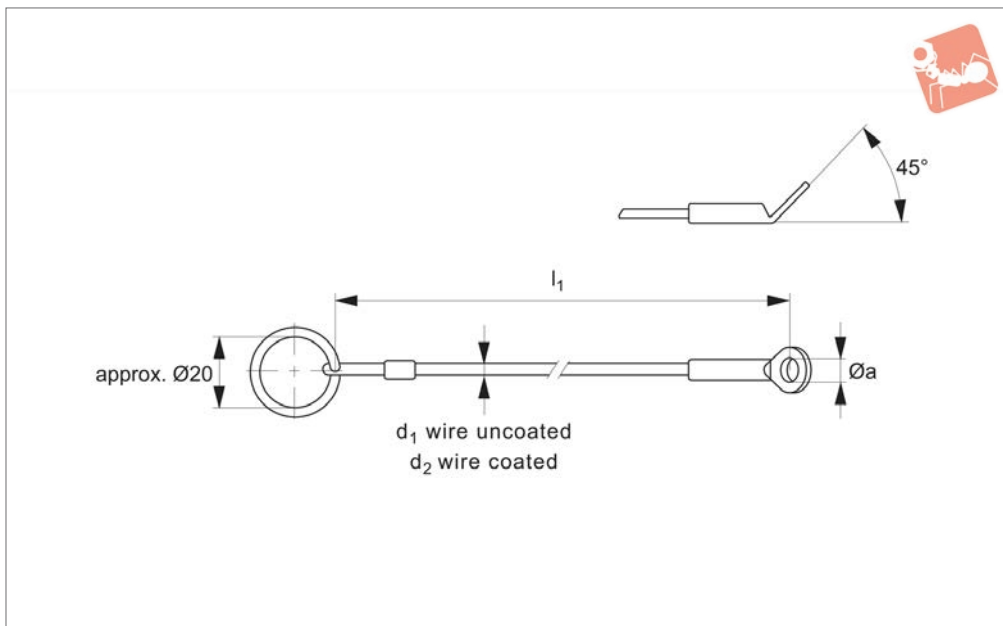




Lanyard - Eyelet to Loop with split rings - crimps stainless

Ball Lock Pins & Quick Release



33251

BALL LOCK PINS & QUICK RELEASE PINS

Material

Wire rope: stainless steel.
Coating (if present): PA6, see table.
Crimps /sleeves: stainless steel.
Eyelet and split ring: stainless steel.

temperature range: up to 250°C (uncoated).

Tips

For use in securing components to assemblies, or to avoid items being misplaced. For our wide range of quick release pins nos. 33060 through 33226.

Technical Notes

Crimps tested for failure at 28 Kgf. Tempe-

Order No.	Coating	d ₁ wire uncoated	l ₁	Ø a	d ₂ wire uncoated	Weight g
33251.W0945	Black	1.5	150	4.8	2.0	6.9
33251.W0946	Black	1.5	200	4.8	2.0	7.6
33251.W0948	Black	1.5	300	4.8	2.0	8.6
33251.W0960	Clear	1.5	150	4.8	2.0	6.9
33251.W0962	Clear	1.5	200	4.8	2.0	7.6
33251.W0966	Clear	1.5	300	4.8	2.0	8.6
33251.W0935	Uncoated	1.5	150	4.8	2.0	6.9
33251.W0936	Uncoated	1.5	200	4.8	2.0	7.6
33251.W0938	Uncoated	1.5	300	4.8	2.0	8.6



Sound Rigging Systems

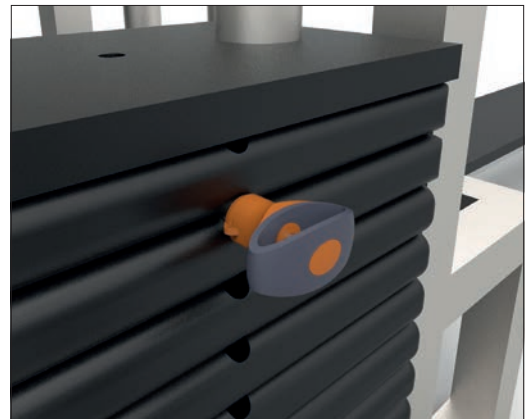
Ball lock pins on a sound rigging system. Offering secure fixing with high shear forces and easy fitting for operators at heights.

In addition full black powder coating of grip and actuation button eliminates glare from other stage lighting.

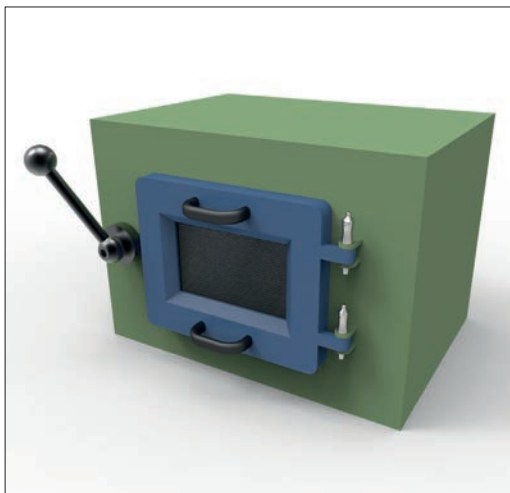


BALL LOCK PINS & QUICK RELEASE PINS

Gym Equipment



Scientific and Medical





Wixroyd Ball Lock Pins

features

33060 - 33250

Positioning Elements

BALL LOCK PINS & QUICK RELEASE PINS

1.4305 (AISI 303) - shear force approx. 60% of higher material version 1.4542

1.4542 (AISI 630) - identified by the ridge on the pin

CRES 17-4PH (AMS 5643) aviation standard



Pin Material



Plastic tri-star T-handled, metal L-handled, metal Mushroom, metal Single piece metal, contoured

Handle Style

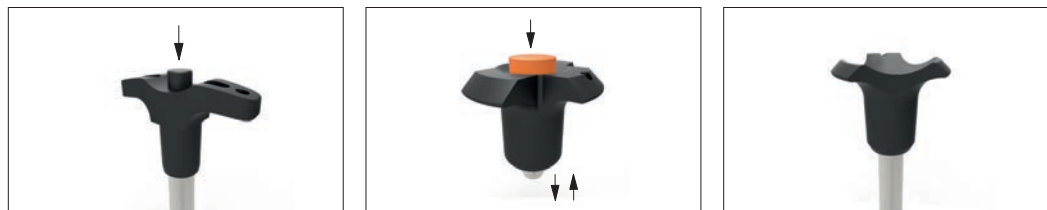


Special plastic self-spring Adjustable grip length, plastic Key ring Safety, metal Mushroom Type B aviation Type R aviation



Stainless wire - (coated) - 2 x key ring Stainless wire - Key ring and fixing loop Plastic - 2 x cable tie Steel wire - (coated) - 2 x key ring Stainless bead chain - 2 x key ring Locating bushes

Lanyards and Locating Bushes

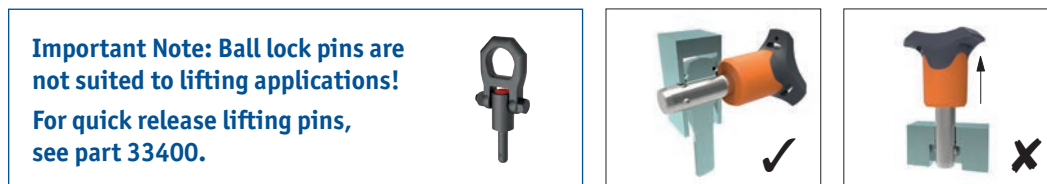


Press = unlock
Release = lock (standard)

Press = unlock and position
Release = lock and simultaneous clamp

Simple spring loaded balls "pullout pin"

Actuation



Important Note: Ball lock pins are not suited to lifting applications!
For quick release lifting pins, see part 33400.

Shear force

Lifting force

Important Note



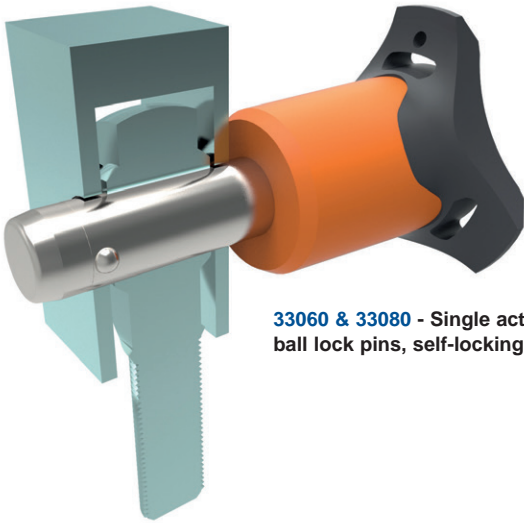
Variations on our standard designs are possible, please contact our sales team for technical assistance. Quick production on specials can be as little as 3 weeks.

Special Variations



Applications

- Positioning.
- Lifting.
- Locking.
- Indexing.
- Joining.



33060 & 33080 - Single acting ball lock pins, self-locking.



33194 - Single acting ball lock pins, self locking, simple finish.



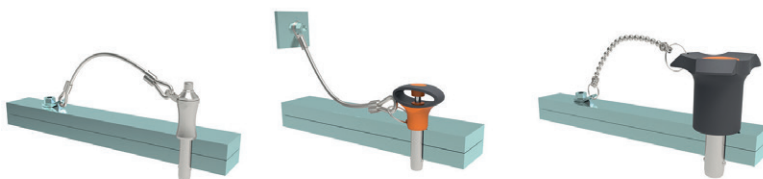
33140 - Socket pins, non-locking, spring loaded balls.



33100 - Single acting ball lock pin, self locking.



33180 - Clamping pins, with span compensation, self-locking.



33250 & 33270 - Lanyards.



33220 - Ball lock pins, single acting - L-handle