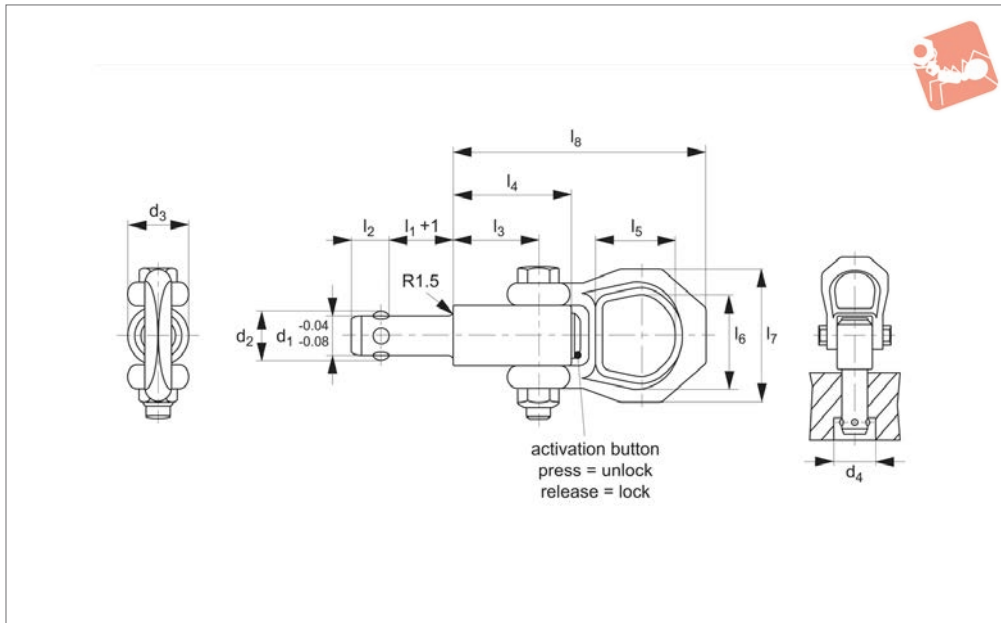




# Quick Lift Pins - Self Locking stainless steel

## Quick Lift Pins



**33420**

QUICK LIFT PINS

### Material

Pin & Body: stainless steel 1.4542 (AISI 630), precipitation hardened.  
Shackle: stainless steel 1.4571.  
Actuation Button: aluminium, red anodised.  
Spring: stainless steel.

### Technical Notes

Pressing = unlocking.  
Releasing = locking.  
Lifts forces up to 4.8kN (with a 5 fold in-

built safety factor).  
Temperature range up to +250°C.  
Easy installation with plain drilled hole to H11 tolerance.  
Corrosion and weather resistant, therefore suitable for outdoor applications.

### Tips

The design of the safety shackle prevents accidental locking/unlocking. Safety shackle is adjustable and can be used to lift components at 90°, 45° or 180°.

### Important Notes

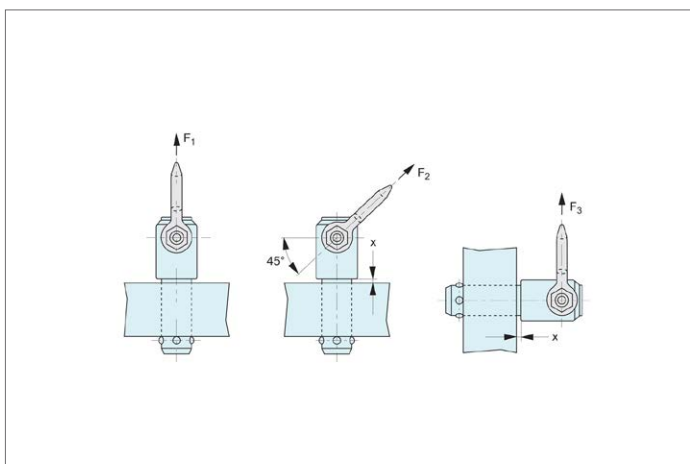
\* are values calculated on a 5-fold safety against breakage.  
When machining receiving hole in aluminium we recommend use of hardened bush or collar in receiving hole, see our part no. 33440.

**Supplied with TUV test certificate of manufacturing process. Parts not individually tested.**

Order No.	$l_1$	$d_1$	$d_2$	$d_3$	$d_4$ min.	$l_2$	$l_3$	$l_4$	$l_5$	Weight g
33420.W0701	10	8.0	9.35	21.5	9.85	8.75	25.7	36.0	27	221
33420.W0702	15	8.0	9.35	21.5	9.85	8.75	25.7	36.0	27	222
33420.W0704	25	8.0	9.35	21.5	9.85	8.75	25.7	36.0	27	225
33420.W0706	35	8.0	9.35	21.5	9.85	8.75	25.7	36.0	27	229
33420.W0711	10	8.3	9.65	21.5	10.05	8.75	25.7	36.0	27	222
33420.W0712	15	8.3	9.65	21.5	10.05	8.75	25.7	36.0	27	223
33420.W0714	25	8.3	9.65	21.5	10.05	8.75	25.7	36.0	27	225
33420.W0716	35	8.3	9.65	21.5	10.05	8.75	25.7	36.0	27	231
33420.W0721	15	10.0	11.70	21.5	12.20	10.20	25.7	36.0	27	233
33420.W0723	25	10.0	11.70	21.5	12.20	10.20	25.7	36.0	27	243
33420.W0725	35	10.0	11.70	21.5	12.20	10.20	25.7	36.0	27	250
33420.W0727	50	10.0	11.70	21.5	12.20	10.20	25.7	36.0	27	257
33420.W0731	15	12.0	14.20	21.5	14.70	11.00	25.7	36.0	27	246
33420.W0733	25	12.0	14.20	21.5	14.70	11.00	25.7	36.0	27	255
33420.W0735	35	12.0	14.20	21.5	14.70	11.00	25.7	36.0	27	265
33420.W0737	50	12.0	14.20	21.5	14.70	11.00	25.7	36.0	27	273
33420.W0751	25	13.8	16.20	21.5	16.70	13.00	25.7	36.0	27	255
33420.W0753	50	13.8	16.20	21.5	16.70	13.00	25.7	36.0	27	283
33420.W0755	75	13.8	16.20	21.5	16.70	13.00	25.7	36.0	27	311
33420.W0741	25	16.0	18.60	25.0	19.20	15.10	31.0	44.5	27	313
33420.W0743	50	16.0	18.60	25.0	19.20	15.10	31.0	44.5	27	367
33420.W0745	75	16.0	18.60	25.0	19.20	15.10	31.0	44.5	27	403
33420.W0773	50	20.0	24.50	30.0	25.00	19.70	36.5	52.0	32.6	607
33420.W0775	75	20.0	24.50	30.0	25.00	19.70	36.5	52.0	32.6	666



Order No.	l <sub>6</sub>	l <sub>7</sub>	l <sub>8</sub>	F <sub>1</sub> kN	F <sub>2</sub> kN	F <sub>3</sub> kN	x min.	x max.	Location hole dia. tol. H11
33420.W0701	30	49	87.5	1.5	1.2	0.5	1.5	5	8.0
33420.W0702	30	49	87.5	1.5	1.2	0.5	1.5	10	8.0
33420.W0704	30	49	87.5	1.5	1.2	0.5	1.5	15	8.0
33420.W0706	30	49	87.5	1.5	1.2	0.5	1.5	15	8.0
33420.W0711	30	49	87.5	1.5	1.2	0.5	1.5	5	8.3
33420.W0712	30	49	87.5	1.5	1.2	0.5	1.5	10	8.3
33420.W0714	30	49	87.5	1.5	1.2	0.5	1.5	15	8.3
33420.W0716	30	49	87.5	1.5	1.2	0.5	1.5	15	8.3
33420.W0721	30	49	87.5	2.7	2.4	2.1	1.5	10	10.0
33420.W0723	30	49	87.5	2.7	2.4	2.1	1.5	10	10.0
33420.W0725	30	49	87.5	2.7	2.4	2.1	1.5	10	10.0
33420.W0727	30	49	87.5	2.7	2.4	2.1	1.5	10	10.0
33420.W0731	30	49	87.5	3.5	3.2	2.8	1.5	10	12.0
33420.W0733	30	49	87.5	3.5	3.2	2.8	1.5	15	12.0
33420.W0735	30	49	87.5	3.5	3.2	2.8	1.5	15	12.0
33420.W0737	30	49	87.5	3.5	3.2	2.8	1.5	15	12.0
33420.W0751	30	49	87.5	3.8	3.5	2.8	1.5	15	13.8
33420.W0753	30	49	87.5	3.8	3.5	2.8	1.5	35	13.8
33420.W0755	30	49	87.5	3.8	3.5	2.8	1.5	35	13.8
33420.W0741	30	49	92.8	4.8	4.5	4.1	1.5	15	16.0
33420.W0743	30	49	92.8	4.8	4.5	4.1	1.5	35	16.0
33420.W0745	30	49	92.8	4.8	4.5	4.1	1.5	40	16.0
33420.W0773	36	56	114.0	10.0	8.5	6.5	1.5	25	20.0
33420.W0775	36	56	114.0	10.0	8.5	6.5	1.5	30	20.0





### Danger!

Self-locking quick lift pins are designed to lift and hold point loads not people.

Self-locking quick lift pins are not suited for rotating loads.

Dirt and debris etc can affect the performance of the pins.

Using damaged self-locking pins can be very dangerous. Before each use carefully inspect the pins (damage, deformities, signs of stress, corrosion, check unlocking and locking function, loss of balls etc. Check full movement of shackle. Withdraw any defective pins from service immediately.

To release the balls, press button A. To lock the balls, release button A.

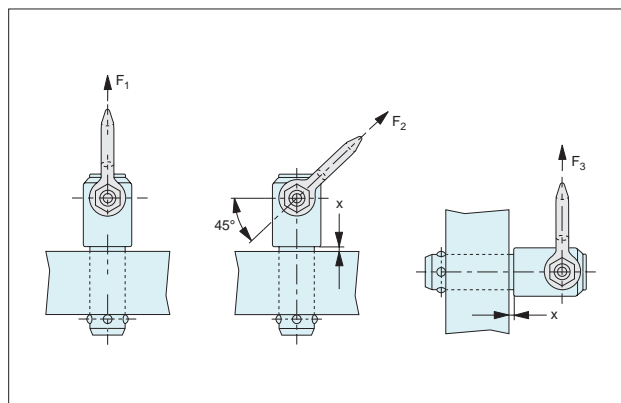
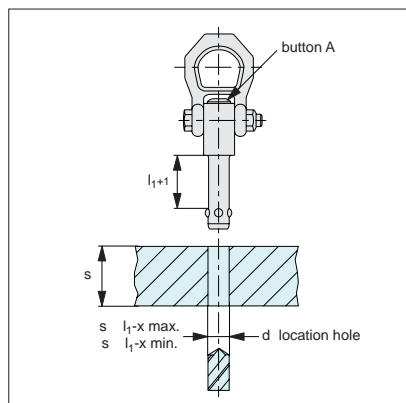
The load figures  $F_1$ ,  $F_2$  and  $F_3$  apply only to lifting applications used with a steel retainer, and an "x" min of 1.5mm.

Inspect before and after every use. For maintenance – take the out of service after 12 months for inspection by qualified personnel.

- Ensure all lifting pins are CE marked.
- Ensure they are handled by qualified personnel.
- Refer to the operating instructions particularly with regards to product selection, any possibility of the load swivelling, the effect of lifting angles on the load capacity (see relevant tables), etc.
- Never allow any personnel underneath a suspended load.
- Always heed the load rating of the lifting pin.
- Always perform a visual inspection of the lifting pins prior to use. Checking for any damage to thread and/or swivelling system. Check for wear or corrosion, signs of stress or bending.
- Ensure a yearly full service inspection is performed.
- Always ensure the full bottom face of the lifting pin shoulder is in contact with a smooth, square surface.
- Ensure full and unrestricted movement of the lifting pin in all directions.
- Before each lift ensure the correct orientation of the shackle in the lift direction.
- Avoid using our standard steel lifting pins in corrosive environments eg. sandy, chemical, acid, moisture etc. In this case consider using our stainless steel lifting pins (33420).

### Operating Instructions 33400 and 33420

Note: The full shaft must be engaged. Longer shaft lengths can be supplied on request or a bolt and washer/nut combination can be used.



### Notes



### Danger!

Self-locking quick lift pins are designed to lift and hold point loads not people.

Self-locking quick lift pins are not suited for rotating loads.

Dirt and debris etc can affect the performance of the pins.

Using damaged self-locking pins can be very dangerous. Before each use carefully inspect the pins (damage, deformities, signs of stress, corrosion, check unlocking and locking function, loss of balls etc. Check full movement of shackle. Withdraw any defective pins from service immediately.

To release the balls, press button A. To lock the balls, release button A.

The load figures  $F_1$ ,  $F_2$  and  $F_3$  apply only to lifting applications used with a steel retainer, and an "x" min of 1.5mm.

Inspect before and after every use. For maintenance – take the out of service after 12 months for inspection by qualified personnel.

### Operating Instructions 33400 and 33420

Note: The full shaft must be engaged. Longer shaft lengths can be supplied on request or a bolt and washer/nut combination can be used.

- Ensure all lifting pins are CE marked.
- Ensure they are handled by qualified personnel.
- Refer to the operating instructions particularly with regards to product selection, any possibility of the load swivelling, the effect of lifting angles on the load capacity (see relevant tables), etc.
- Never allow any personnel underneath a suspended load.
- Always heed the load rating of the lifting pin.
- Always perform a visual inspection of the lifting pins prior to use. Checking for any damage to thread and/or swivelling system. Check for wear or corrosion, signs of stress or bending.
- Ensure a yearly full service inspection is performed.
- Always ensure the full bottom face of the lifting pin shoulder is in contact with a smooth, square surface.
- Ensure full and unrestricted movement of the lifting pin in all directions.
- Before each lift ensure the correct orientation of the shackle in the lift direction.
- Avoid using our standard steel lifting pins in corrosive environments eg. sandy, chemical, acid, moisture etc. In this case consider using our stainless steel lifting pins (33420).

### Notes

