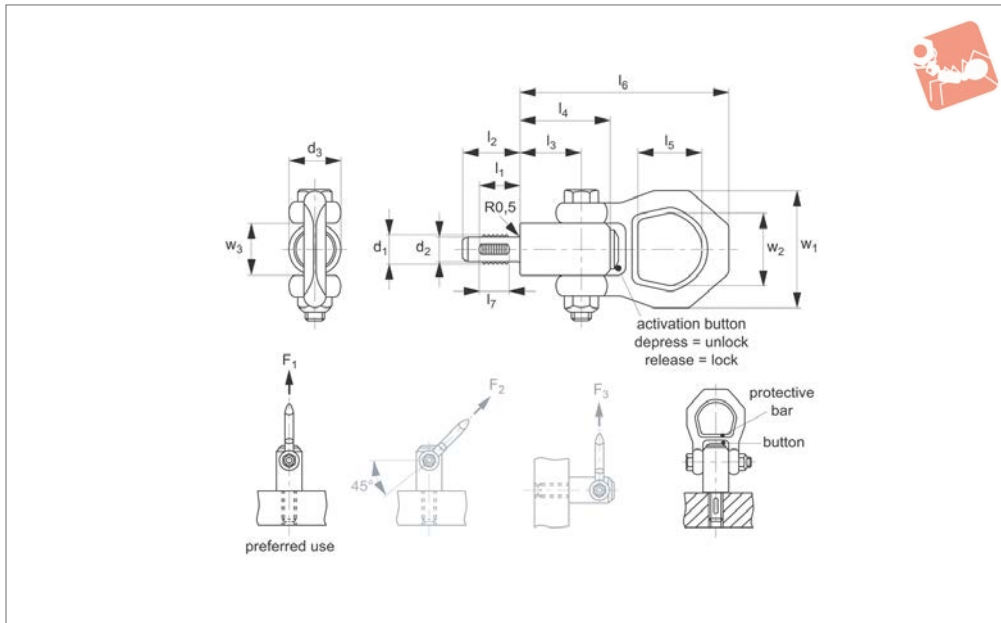




Quick Lift Pins - Threaded metric

Quick Lift Pins



33430

QUICK LIFT PINS

Material

Steel:

Pin: heat-treated steel, tempered, manganese phosphated.
 Threaded element: stainless steel 1.4542, (AISI 630) precipitation hardened.
 Shackle: steel, heat-treated, tempered, manganese phosphated.
 Press button: aluminium, orange anodised.
 Spring: stainless steel.

Stainless steel:

Pin: stainless steel 1.4542, (AISI 630) precipitation hardened.
 Threaded element: stainless steel 1.4542, (AISI 630) precipitation hardened.
 Shackle: stainless steel 1.45471.
 Press button: aluminium, orange anodised.
 Spring: stainless steel.

Technical Notes

To suit metric coarse threads, tolerance g6.

CE marked. Both types are corrosion protected. The stainless steel pin is resistant to corrosion and weathering, so suitable for external use.

The instruction manual and CE Declaration of Conformity are included.

F_1^* and F_3^* values are inscribed on the body for reference. F values are calculated on 5 x safety factor.

Depress button: to unlock.

Release button: to lock.

Max temp. 250°C.

Tips

The pin is ideally used for single point straight up lifts. The bottom face of the pin must be in full contact with the part to be lifted. The pin can also be used with forces F_2 and F_3 after ensuring that the shackle direction is aligned to the direction of the pull. The preferred part for these types of lifts is part 33425, which has a double

swivel function.

Before use: read instruction manual, and data sheets follow standard safe lifting procedures.

Important Notes

The threaded pin must be completely screwed into the thread and tightened to specified tightening torque and bear completely on the bearing surface. Quick and easy to use. The shackle pivots. The protective bar prevents unintentional unlocking by a hook or similar.

Use recommended mainly for direct upwards lift (F_1) as the shackle should be aligned to the direction of lift. Other pins (33425) have a swivel bearing to align shackle.

Rotation of loads must be prevented.

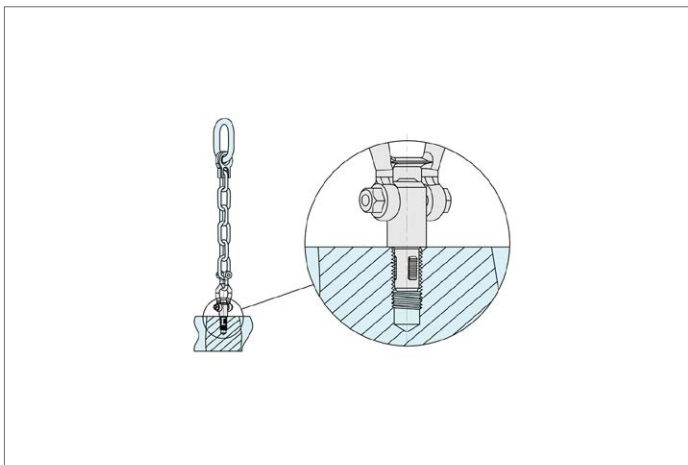
Order No.	Type	l_1	d_1	d_2 -0.07	d_3	l_2	l_3	l_4	l_5	Weight g
33430.W0008	Steel	12	M 8	6.6	21.5	17.8	25.7	36	27.0	228
33430.W0010	Steel	14	M10	8.4	21.5	20.0	25.7	36	27.0	271
33430.W0012	Steel	17	M12	10.1	21.5	24.0	25.7	36	27.0	234
33430.W0014	Steel	17	M14	11.8	21.5	24.0	25.7	36	27.0	280
33430.W0016	Steel	17	M16	13.8	21.5	24.0	25.7	36	27.0	244
33430.W0020	Steel	22	M20	17.3	30.0	30.0	36.5	52	32.6	518
33430.W0024	Steel	27	M24	20.7	36.0	30.6	42.0	60	50.6	1187
33430.W0027	Steel	31	M27	23.7	45.0	40.0	42.0	60	50.6	1420
33430.W0030	Steel	35	M30	26.1	45.0	45.0	42.0	60	50.6	1468
33430.W1008	Stainless Steel	12	M 8	6.6	21.5	17.8	25.7	36	27.0	228
33430.W1010	Stainless Steel	14	M10	8.4	21.5	20.0	25.7	36	27.0	229
33430.W1012	Stainless Steel	17	M12	10.1	21.5	24.0	25.7	36	27.0	237
33430.W1016	Stainless Steel	17	M16	13.8	21.5	24.0	25.7	36	27.0	247



Order No.	Type	l_1	d_1	d_2 -0.07	d_3	l_2	l_3	l_4	l_5	Weight g
33430.W1020	Stainless Steel	22	M20	17.3	30.0	30.0	36.5	52	32.6	519
33430.W1024	Stainless Steel	27	M24	20.7	36.0	30.6	42.0	60	50.6	1219

QUICK LIFT PINS

Order No.	l_6	l_7	w_1	w_2	w_3	F_1 kN	F_2 kN	F_3 kN	Locating thread
33430.W0008	87.5	8	49	30.0	21.5	2.1	0.9	0.8	M 8
33430.W0010	87.5	10	49	30.0	21.5	3.9	1.5	1.5	M10
33430.W0012	87.5	12	49	30.0	21.5	6.2	2.5	2.3	M12
33430.W0014	87.5	12	49	30.0	21.5	7.8	4.2	2.9	M14
33430.W0016	87.5	12	49	30.0	21.5	8.4	4.5	4.2	M16
33430.W0020	114.0	17	56	36.0	30.0	16.6	7.7	5.8	M20
33430.W0024	152.0	22	82	49.8	36.0	23.0	11.1	8.6	M24
33430.W0027	152.0	26	82	49.8	36.0	33.8	15.7	13.7	M27
33430.W0030	152.0	30	82	49.8	36.0	42.3	21.5	15.5	M30
33430.W1008	87.5	8	49	30.0	21.5	2.1	0.9	0.8	M 8
33430.W1010	87.5	10	49	30.0	21.5	3.9	1.5	1.5	M10
33430.W1012	87.5	12	49	30.0	21.5	6.2	2.5	2.3	M12
33430.W1016	87.5	12	49	30.0	21.5	8.4	4.5	4.2	M15
33430.W1020	114.0	17	56	36.0	30.0	16.6	7.7	5.8	M20
33430.W1024	152.0	22	82	49.8	36.0	23.0	11.1	8.6	M24





Danger!

Self-locking quick lift pins are designed to lift and hold point loads not people.

Self-locking quick lift pins are not suited for rotating loads.

Dirt and debris etc can affect the performance of the pins.

Using damaged self-locking pins can be very dangerous. Before each use carefully inspect the pins (damage, deformities, signs of stress, corrosion, check unlocking and locking function, loss of balls etc. Check full movement of shackle. Withdraw any defective pins from service immediately.

To release the balls, press button A. To lock the balls, release button A.

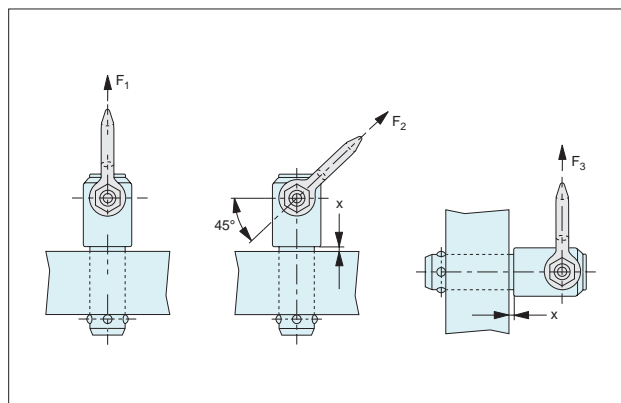
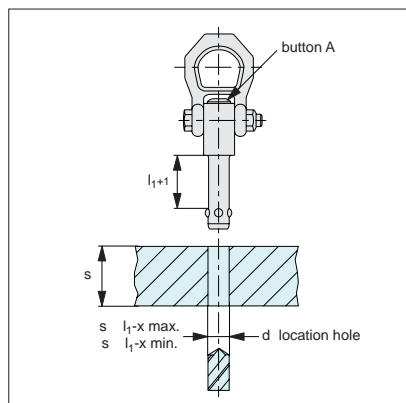
The load figures F_1 , F_2 and F_3 apply only to lifting applications used with a steel retainer, and an "x" min of 1.5mm.

Inspect before and after every use. For maintenance – take the out of service after 12 months for inspection by qualified personnel.

- Ensure all lifting pins are CE marked.
- Ensure they are handled by qualified personnel.
- Refer to the operating instructions particularly with regards to product selection, any possibility of the load swivelling, the effect of lifting angles on the load capacity (see relevant tables), etc.
- Never allow any personnel underneath a suspended load.
- Always heed the load rating of the lifting pin.
- Always perform a visual inspection of the lifting pins prior to use. Checking for any damage to thread and/or swivelling system. Check for wear or corrosion, signs of stress or bending.
- Ensure a yearly full service inspection is performed.
- Always ensure the full bottom face of the lifting pin shoulder is in contact with a smooth, square surface.
- Ensure full and unrestricted movement of the lifting pin in all directions.
- Before each lift ensure the correct orientation of the shackle in the lift direction.
- Avoid using our standard steel lifting pins in corrosive environments eg. sandy, chemical, acid, moisture etc. In this case consider using our stainless steel lifting pins (33420).

Operating Instructions 33400 and 33420

Note: The full shaft must be engaged. Longer shaft lengths can be supplied on request or a bolt and washer/nut combination can be used.



Notes



Danger!

Self-locking quick lift pins are designed to lift and hold point loads not people.

Self-locking quick lift pins are not suited for rotating loads.

Dirt and debris etc can affect the performance of the pins.

Using damaged self-locking pins can be very dangerous. Before each use carefully inspect the pins (damage, deformities, signs of stress, corrosion, check unlocking and locking function, loss of balls etc. Check full movement of shackle. Withdraw any defective pins from service immediately.

To release the balls, press button A. To lock the balls, release button A.

The load figures F_1 , F_2 and F_3 apply only to lifting applications used with a steel retainer, and an "x" min of 1.5mm.

Inspect before and after every use. For maintenance – take the out of service after 12 months for inspection by qualified personnel.

Operating Instructions 33400 and 33420

Note: The full shaft must be engaged. Longer shaft lengths can be supplied on request or a bolt and washer/nut combination can be used.

- Ensure all lifting pins are CE marked.
- Ensure they are handled by qualified personnel.
- Refer to the operating instructions particularly with regards to product selection, any possibility of the load swivelling, the effect of lifting angles on the load capacity (see relevant tables), etc.
- Never allow any personnel underneath a suspended load.
- Always heed the load rating of the lifting pin.
- Always perform a visual inspection of the lifting pins prior to use. Checking for any damage to thread and/or swivelling system. Check for wear or corrosion, signs of stress or bending.
- Ensure a yearly full service inspection is performed.
- Always ensure the full bottom face of the lifting pin shoulder is in contact with a smooth, square surface.
- Ensure full and unrestricted movement of the lifting pin in all directions.
- Before each lift ensure the correct orientation of the shackle in the lift direction.
- Avoid using our standard steel lifting pins in corrosive environments eg. sandy, chemical, acid, moisture etc. In this case consider using our stainless steel lifting pins (33420).

Notes

