

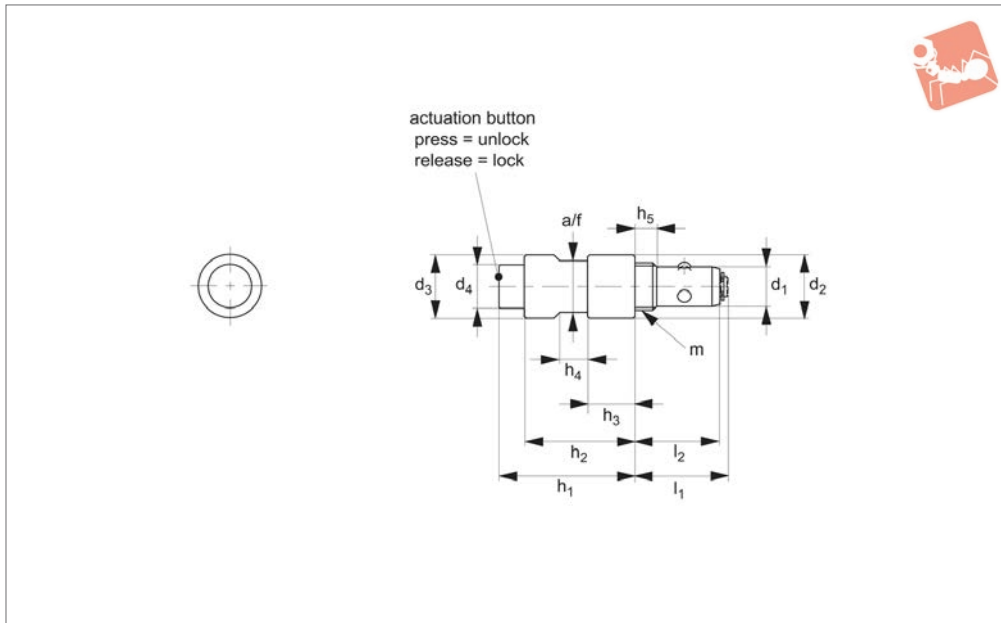


# One-Touch Fastener - Ball Locking

push button lock - straight - steel



## One Touch Fasteners



**33914**

ONE TOUCH FASTENERS

### Material

Body & button: steel, nickel plated.  
Ball & coil ring: stainless steel.  
Snap Ring: stainless steel.

### Technical Notes

One-touch fasteners are the ideal solution for applications requiring rapid and recurring change over of tooling or set ups. Use in applications as diverse as bottling processes, machine covers, changing of

cogs and drive belts. One-touch fasteners provide a quick, simple and secure change over solution - no time wasted in unfastening screws or other permanent fixings, and no opportunity for lost fixings in your machinery.  
Temperature resistant to 180°C.

### Important Notes

Suitable for panels/enclosures of 6 to 16mm thickness.

For locating bushes see part no. 33920.

### Actuation:

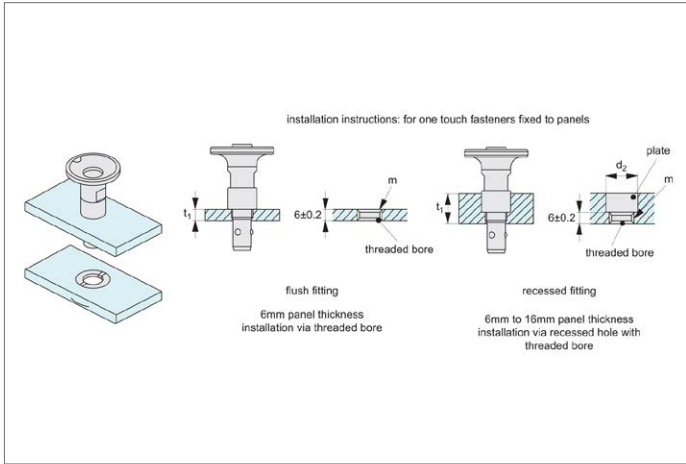
push button: unlock (to pass pin through panels)  
release button: lock to securely fasten.

**Note: One-touch fastener 33914 is not suitable for installation unattached from panel.**

Order No.	For single panel thickness	$d_1$ -0.05 -0.10	$d_2$	$d_3$	$d_4$	$h_1$	$h_2$	$h_3$	Weight g
<b>33914.W1006</b>	6-10	6	12	12	8	22.0	17.5	6	30
<b>33914.W1610</b>	6-16	10	16	16	11	34.4	28.0	12	50

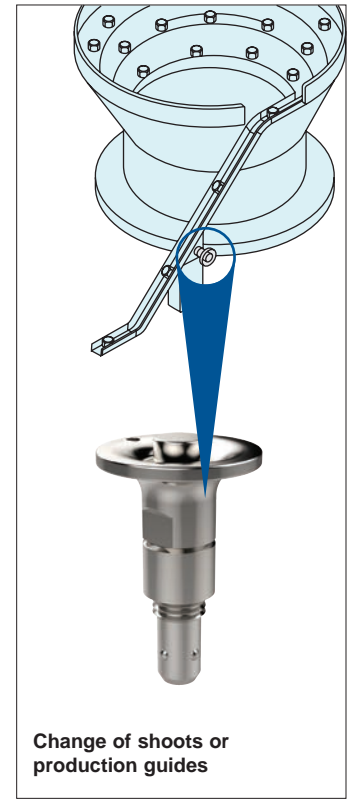
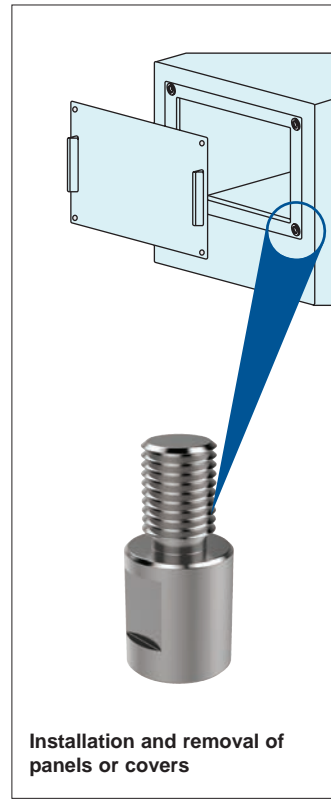
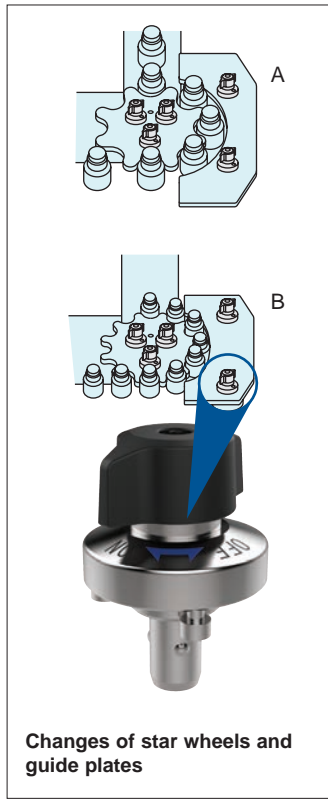
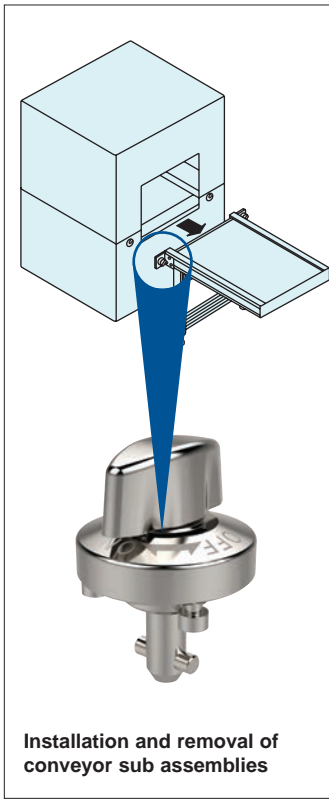
  

Order No.	$h_4$	$h_5$	$l_1$	$l_2$	$m$	A/F	Clamping force N	Shear strength N	Tensile strength N
<b>33914.W1006</b>	5.5	5.5	21.0	19.0	M8x1,25	10	30	3000	500
<b>33914.W1610</b>	7.0	5.5	23.5	21.5	M12x1,5	13	50	9000	1500





### One-Touch Fasteners - Alternatives to Screws



ONE TOUCH FASTENERS

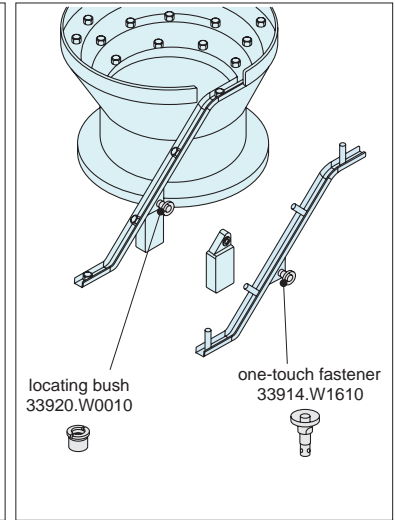
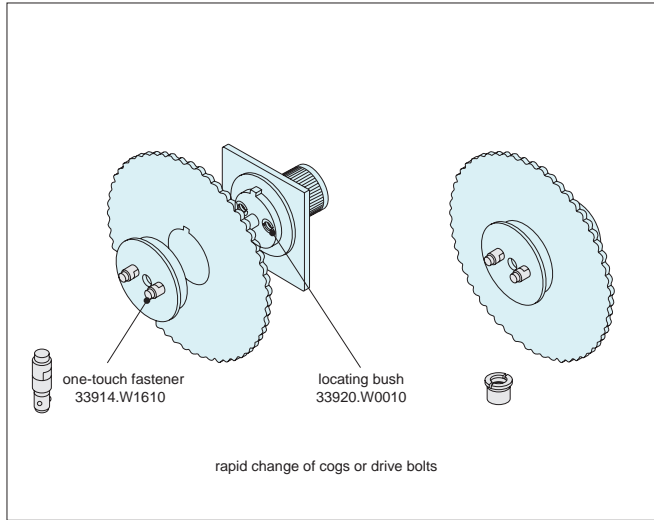
### Easy & Secure! For Quick Changeover with No Tools!



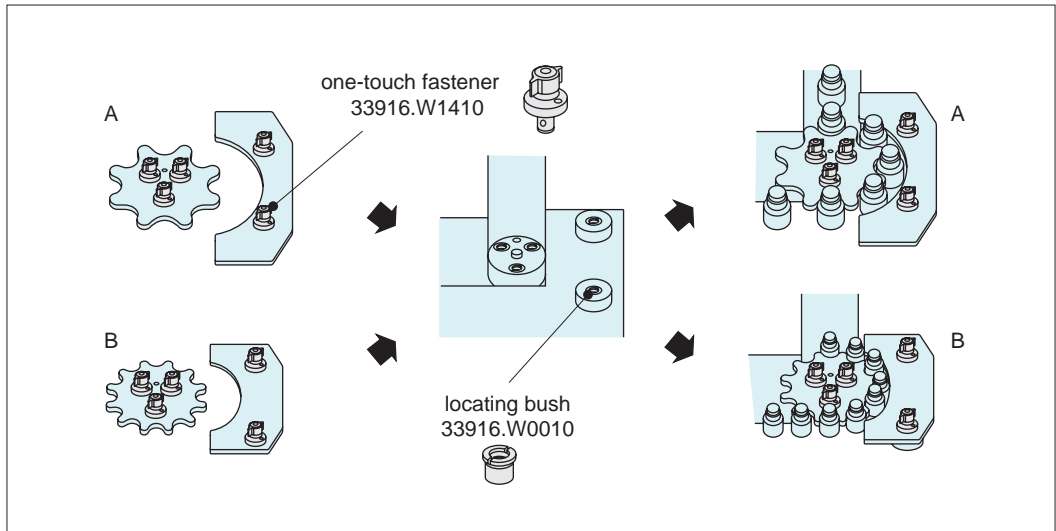


One-Touch Change Over

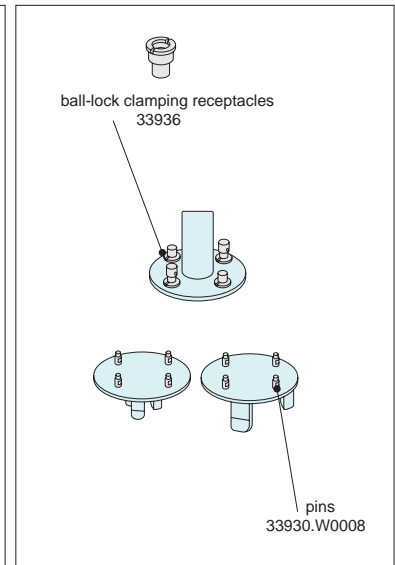
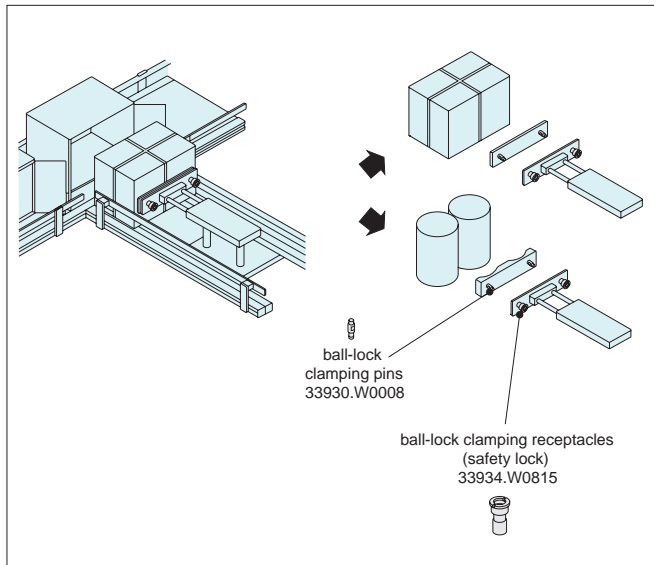
Installation and Removal of Rotary Blades and Changes of Shooters



Changes of Star Wheels and Guide Plates



Changes of Pusher and Changes of Chuck Handling Machines





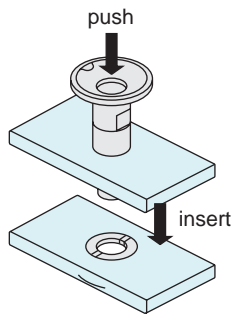
# One-Touch Fastener - Ball Locking

technical information

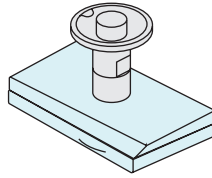
33910 - 33920

Positioning Elements

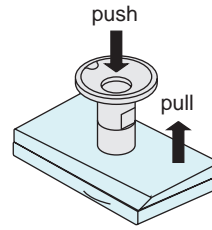
## Operating Instructions



depress button, align pin and insert

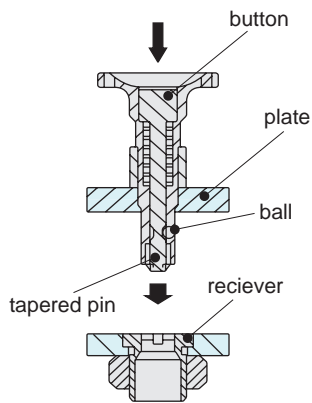


when the button is released, clamping is complete

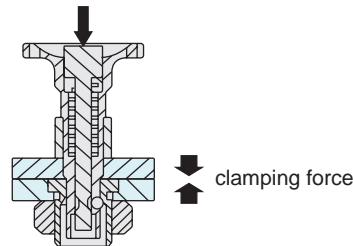


depress button to release, and pull out

## Operating Principle



activation button  
press = unlock  
release = lock



during clamping the tapered pin pushes out the ball bearing, into the recessed holes of the receiver, securely clamping the two surfaces together

ONE TOUCH FASTENERS

ov-W33910-A-T-W33920-A-T-ball-locking-one-touch-fasteners-a-rmh - Updated - 27-10-2022