

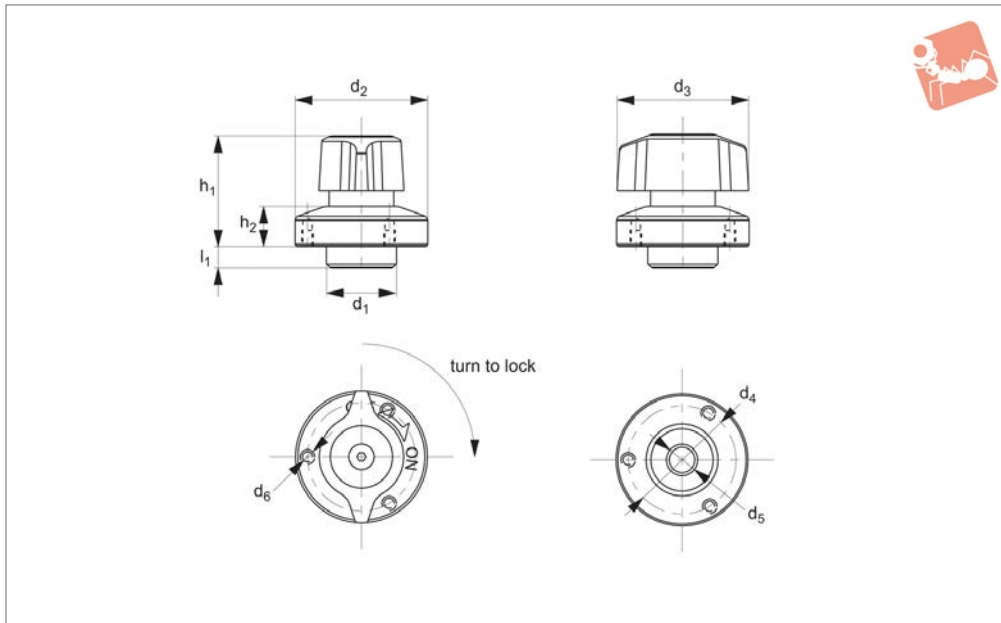


One-Touch Fastener - Ball Clamping

quarter turn lock - t-handle grip - steel



One Touch Fasteners



33927

ONE TOUCH FASTENERS

Material

Body & Shank: steel, nickel plated.
 Knob: polyamide, black.
 Ball & Spring: Stainless steel.

Technical Notes

One-touch fasteners are the ideal solution for applications requiring rapid and recurring change over of tooling or set ups. Use in applications as diverse as bottling

processes, machine covers, changing of cogs and drive belts. One-touch fasteners provide a quick, simple and secure change over solution - no time wasted in unfastening screws or other permanent fixings, and no opportunity for lost fixings in your machinery.

Tips

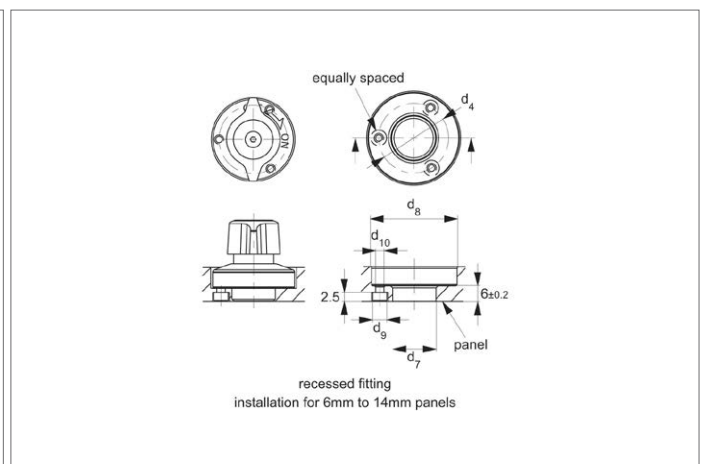
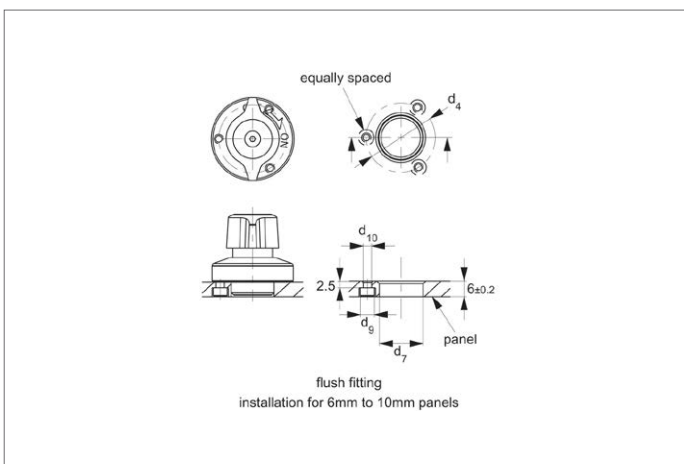
Used in conjunction with pin 33923.

For highly accurate locating, use locating pins 36340 & 36341.

Actuation

- Turn handle to off position, clamping balls are retracted. Engage panel and clamp over clamping pin. Turn handle on to position to clamp.
- To unclamp, reverse steps above.

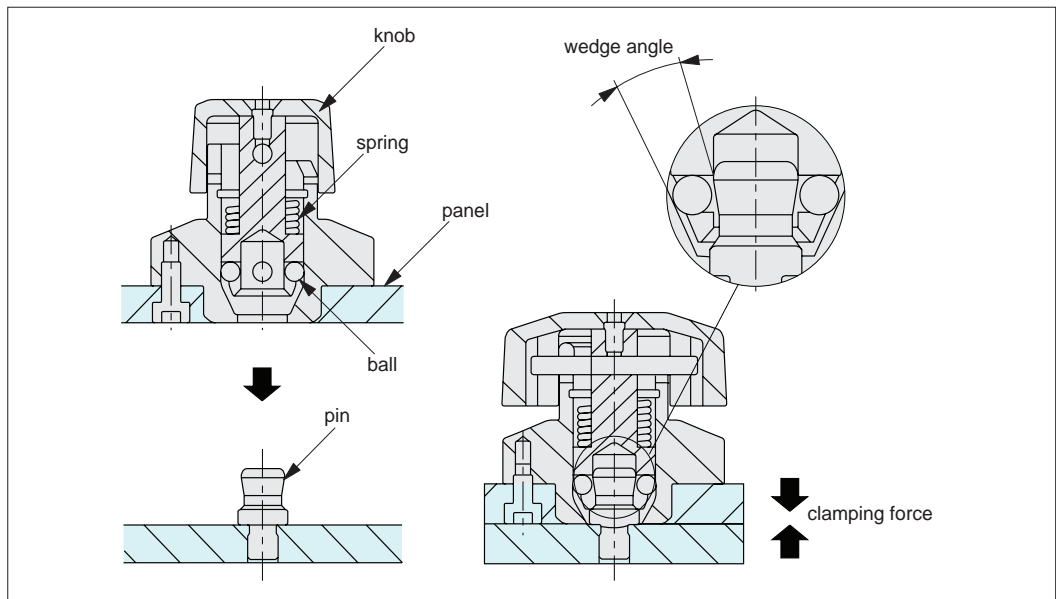
Order No.	For single panel thickness	For pin dia.	d ₁ tol. h9	d ₂	d ₃	d ₄	d ₅ +0.4 +0.2	d ₆	h ₁	h ₂	l ₁	Clamping force N	Shear strength N	Tensile strength N	Weight g
33927.W1006	6-10	6	14	25	25	21	6	M2x0,4	23	6,5	5,5	7	1100	250	35
33927.W1408	6-14	8	18	34	34	28	8	M3x0,5	28	10,0	5,5	9	1800	400	85





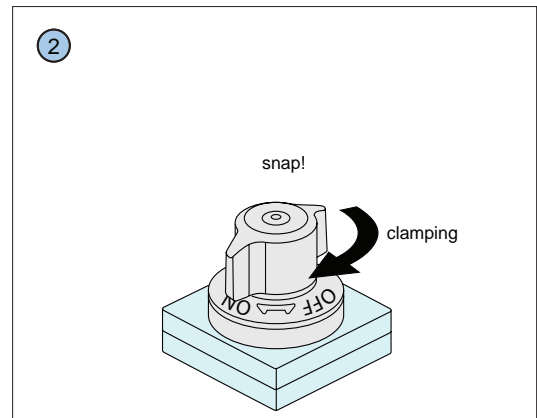
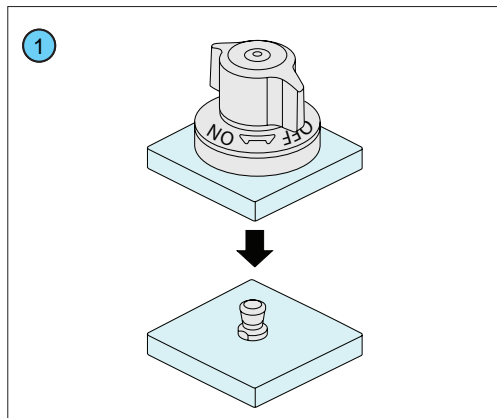
Operating Principle

Four ball bearings clamp onto the clamping pin, the wedge shape of the pin (33929) draws the panels together during clamping.



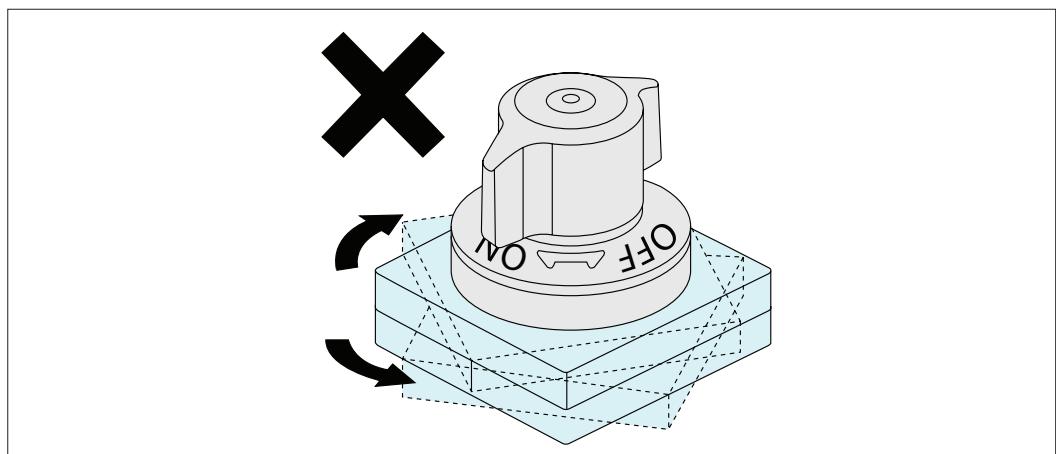
Operating Instructions

- 1 Turn handle to off position to retract the clamping balls. Engage panel and clamp over clamping pin. Turn handle on to position to clamp.
- 2 To unclamp, reverse steps above.



Warning

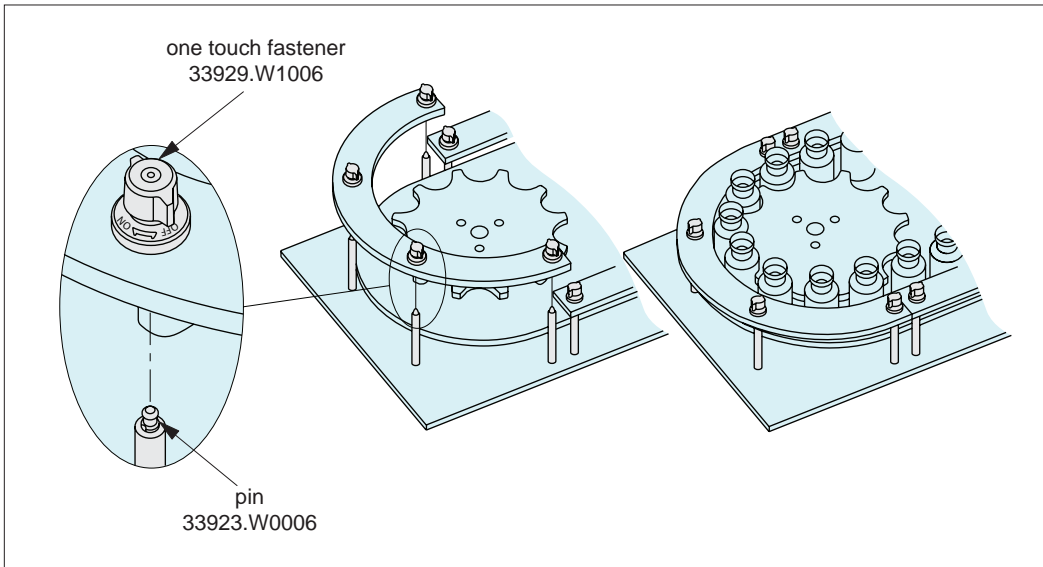
Rotation of either sub panel or base panel can result in one touch fastener unclamping. When either panel is at risk of rotating ensure a stop is in place.



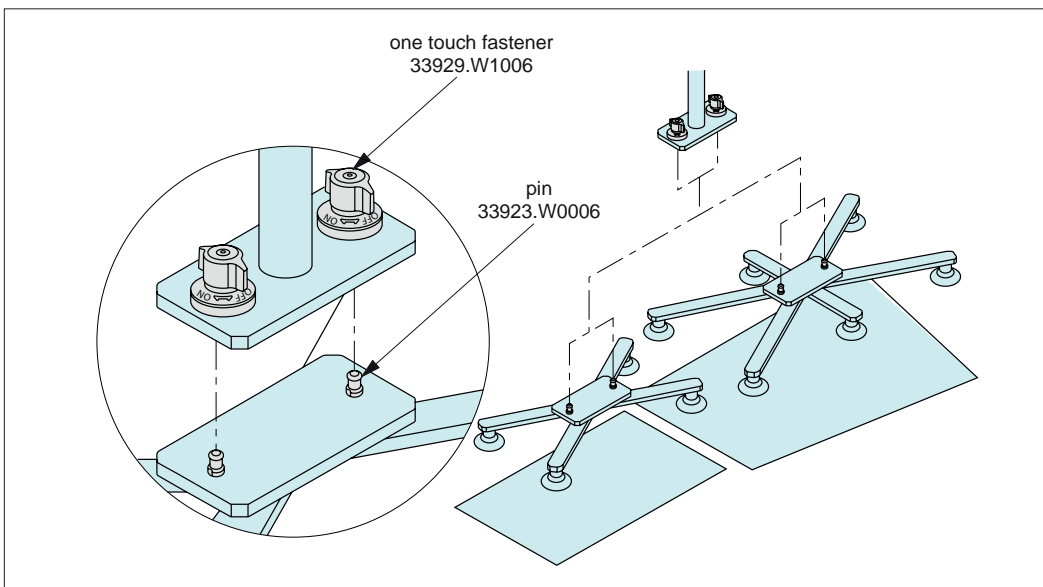


Applications

Changes of Guides Around Star Wheels

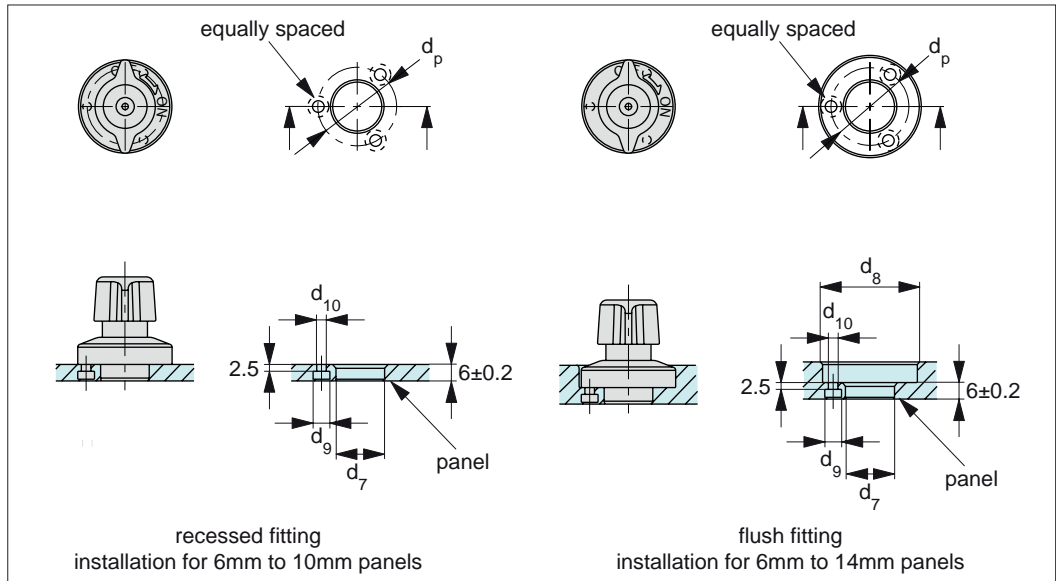


Changes of Suction Grippers for Wafer Handling



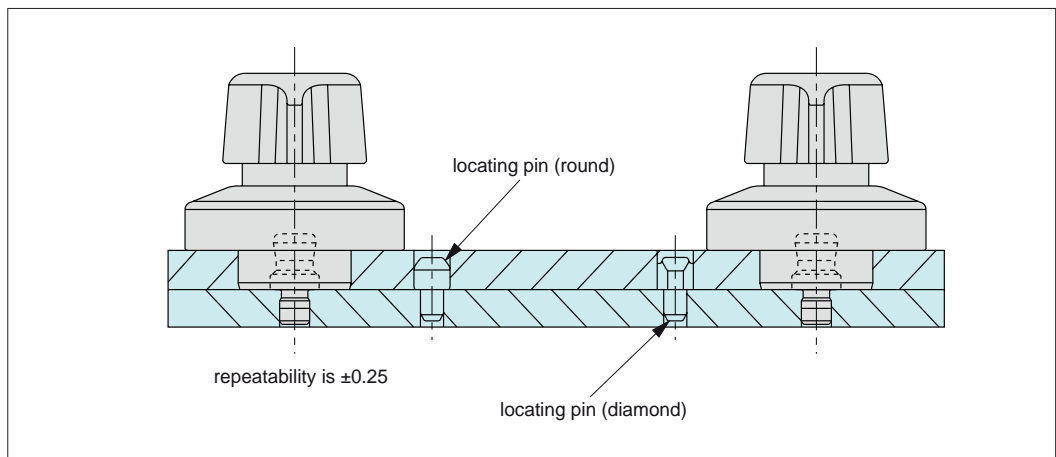


Installation Dimensions



Repeatability

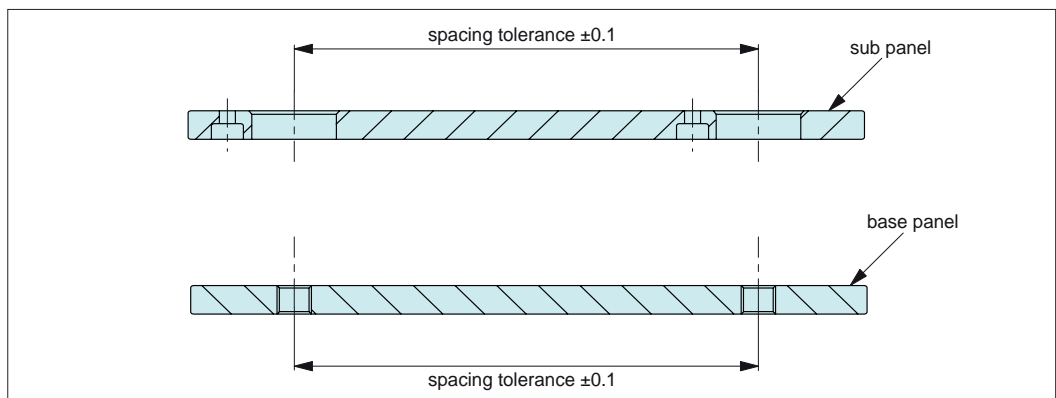
For highly accurate locating, use locating components 36340 or 36341. Repeatability of ± 0.25 is achievable.



Installation Best Practice

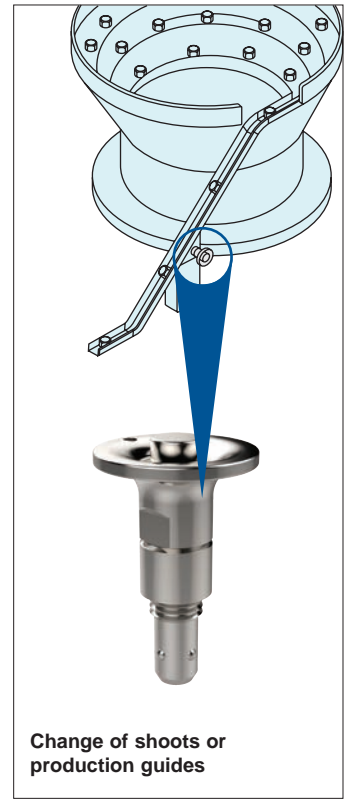
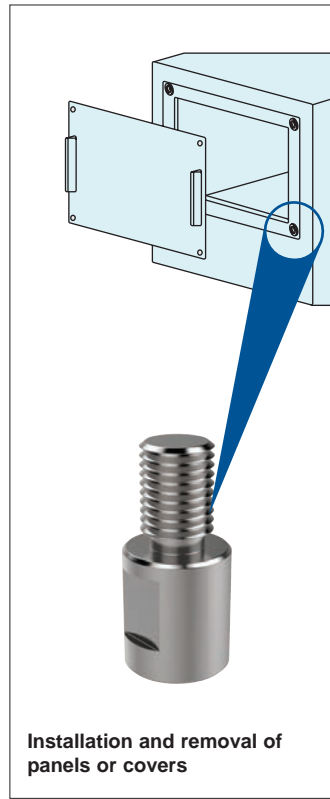
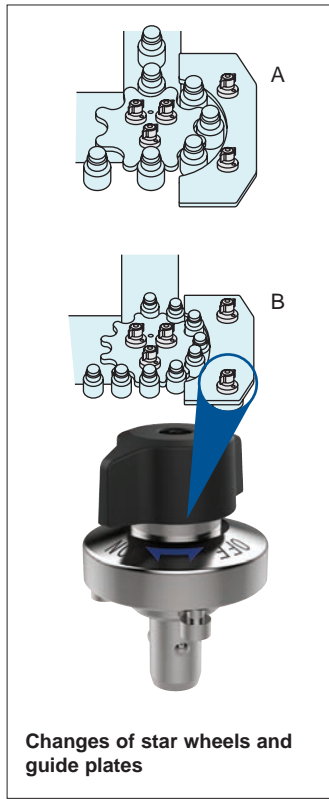
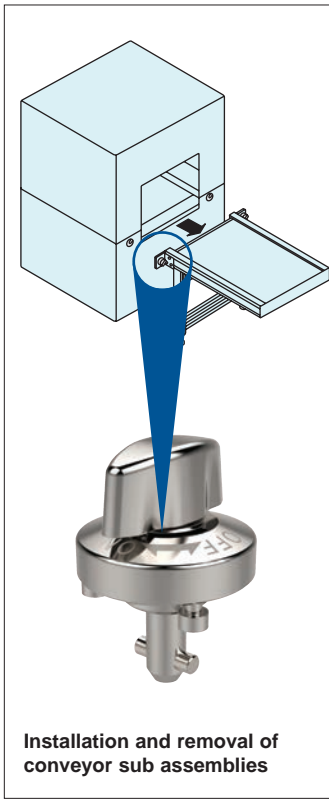
Machining Accuracy

Spacing tolerance on both the sub plate and the base plate should be ± 0.1 .





One-Touch Fasteners - Alternatives to Screws



ONE TOUCH FASTENERS

Easy & Secure! For Quick Changeover with No Tools!

