

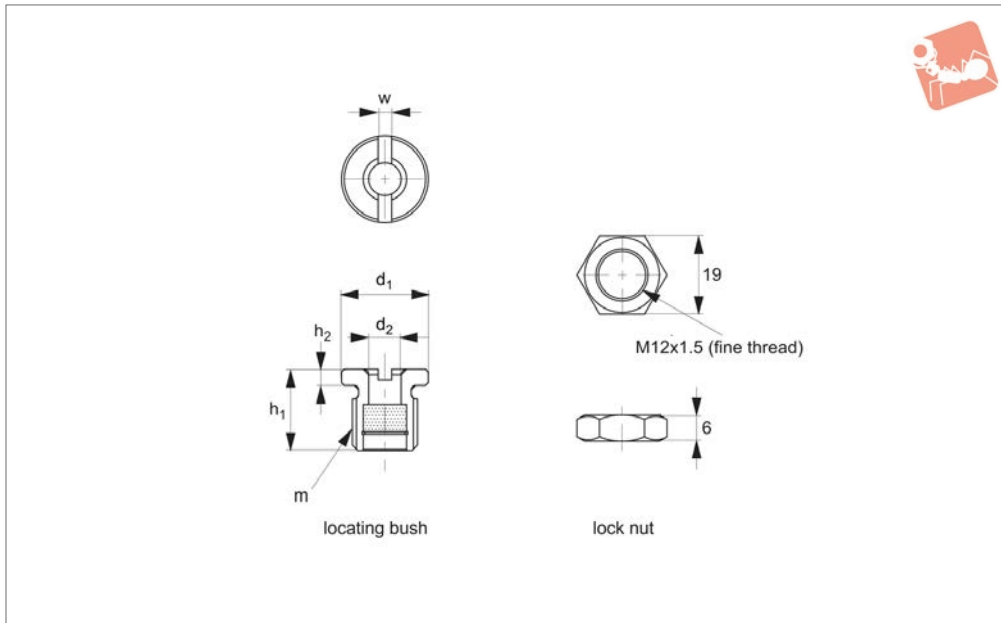


One-Touch Fastener - Magnetic Hold

locating bush for 33950



One Touch Fasteners



33956

ONE TOUCH FASTENERS

Material

Body: stainless steel.
Magnet: neodymium.

Technical Notes

One-touch fasteners are the ideal solution for applications requiring rapid and recurring change over of tooling or set ups. Use in applications as diverse as bottling processes, machine covers, changing of cogs and drive belts. One-touch fasteners

provide a quick, simple and secure change over solution - no time waste in unfastening screws or other permanent fixings, and no opportunity for lost fixings in your machinery.

Important Notes

Suitable for panels/enclosures of 2 to 6 mm thickness. For pin see part no. 33950. Part contains Neodymium magnets which in conjunction with one-touch pin no.

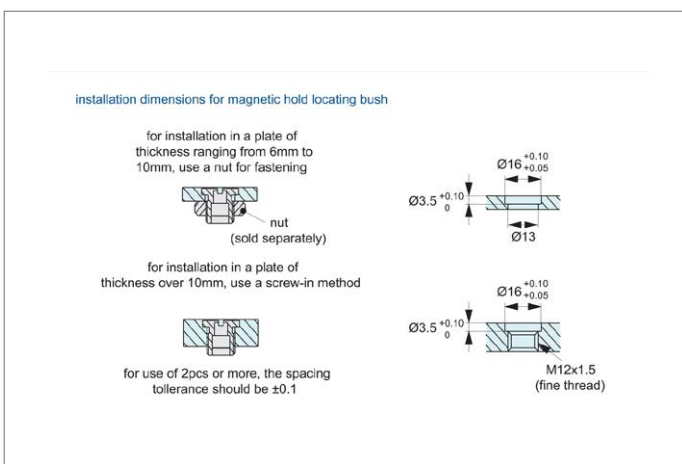
33950 creates a magnetic clamping force of 7 N.

Actuation:

Engage pin into receiver, magnetic effect will take hold. Panels are securely fastened.

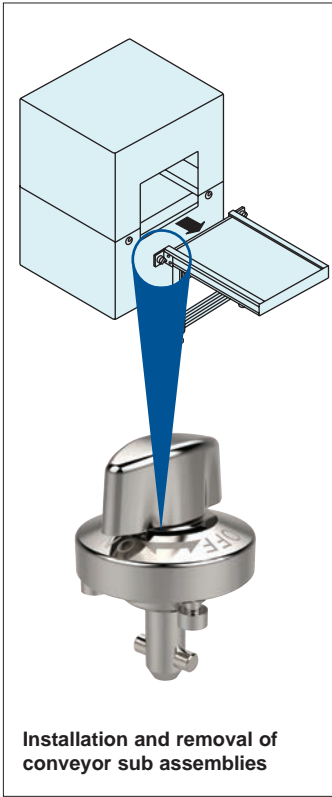
To release, simply pull panels apart with sufficient force to overcome magnetic holding force, panel is released.

Order No.	For single panel thickness	Type	d ₁ tol. h9	d ₂ +0.10 +0.05	h ₁	h ₂	m	w	Clamping force N	Weight g
33956.W0076	2 to 6mm	Bush	Ø16	Ø6	15	3	M12x1,5	2.5	7	12

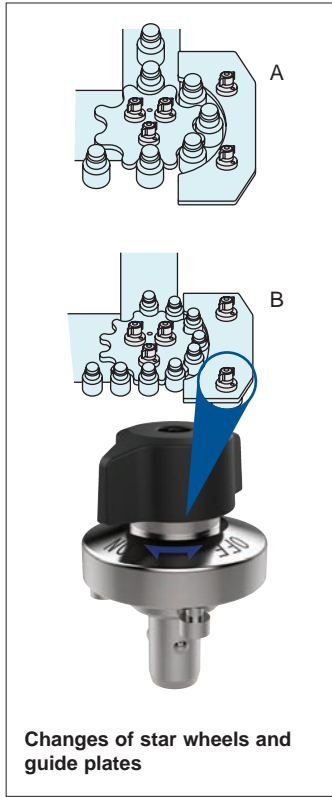




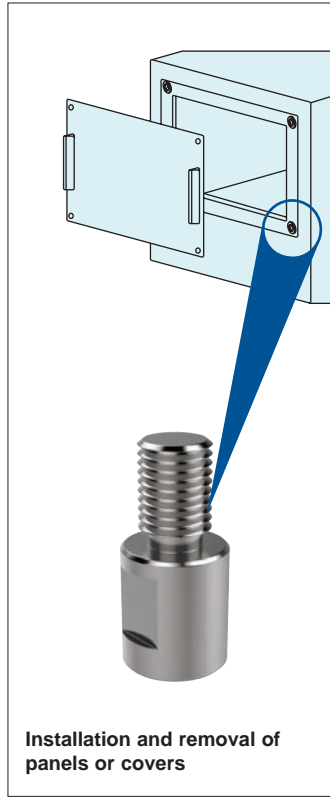
One-Touch Fasteners - Alternatives to Screws



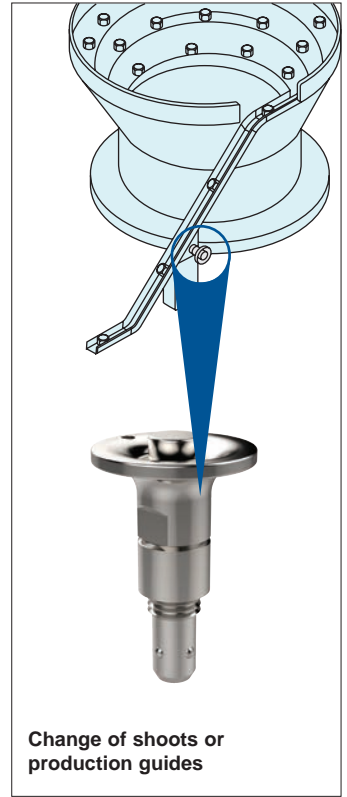
Installation and removal of
conveyor sub assemblies



Changes of star wheels and
guide plates



Installation and removal of
panels or covers



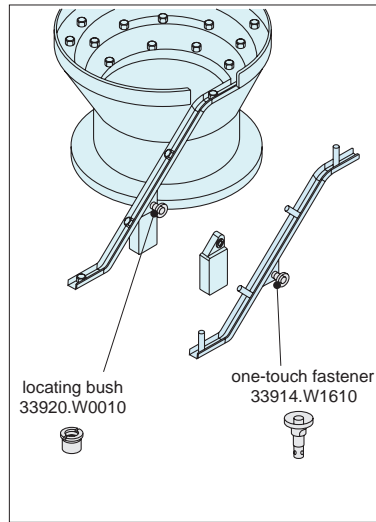
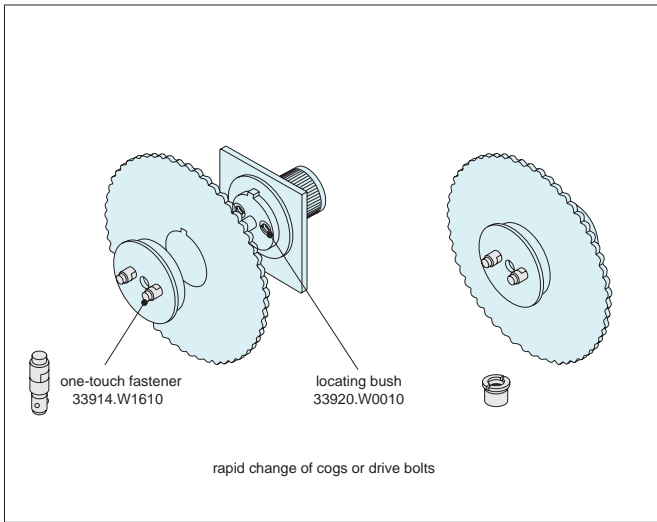
Change of shoots or
production guides

Easy & Secure! For Quick Changeover with No Tools!



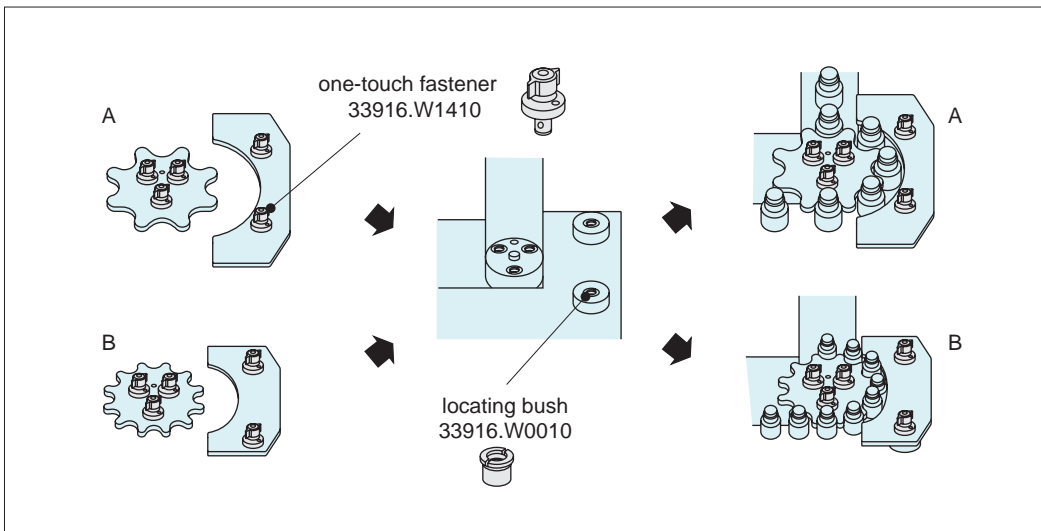


One-Touch Change Over

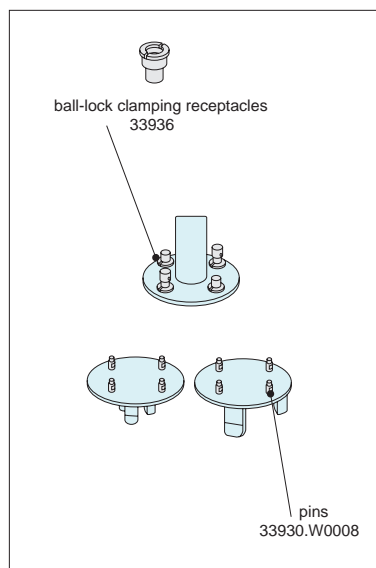
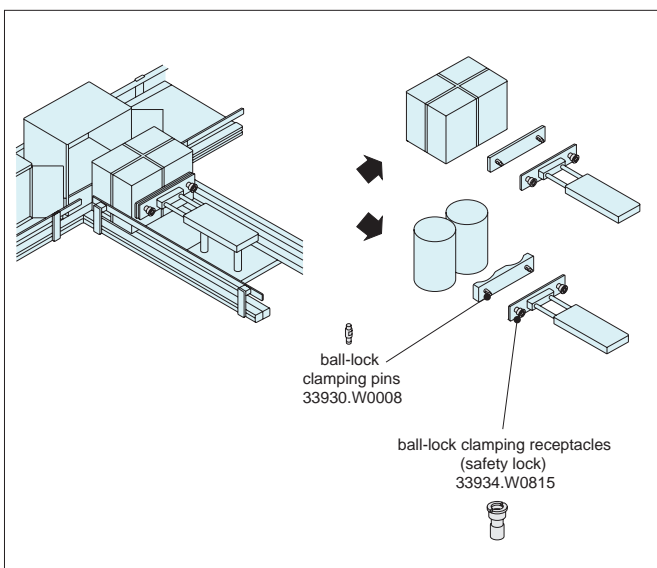


Installation and Removal of Rotary Blades and Changes of Shooters

ONE TOUCH FASTENERS



Changes of Star Wheels and Guide Plates



Changes of Pusher and Changes of Chuck Handling Machines

ov-W33910-A-T-W33956-A-T-one-touch-fasteners-b-rmh - Updated - 27-10-2022