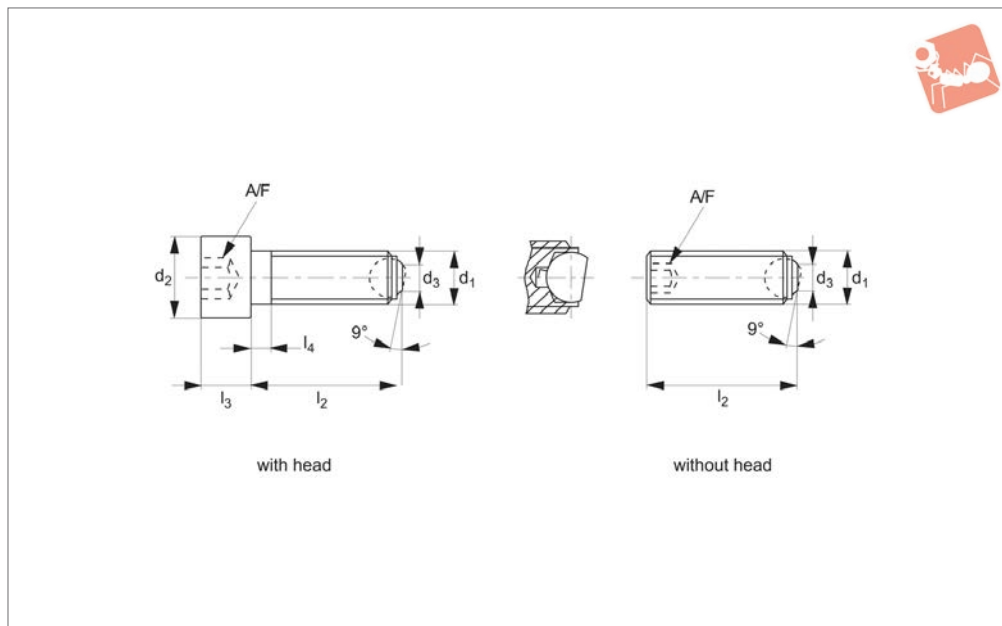




# Thrust Screws - Steel

ball ended - flat - metal - secured

# Thrust Screws



**34000**

THRUST SCREWS

### Material

Body: heat treated steel, 1200 +/-100 N/mm<sup>2</sup>.

Ball: ball bearing steel, hardened.

### Technical Notes

For clamping, tightening or supporting of

surfaces that are not exactly parallel.

Special finish in stainless steel possible, price and delivery on request.

### Tips

**Ball secured against rotation so the flat face ball cannot flip over - see technical**

**diagram.**

Order No.	Type	Ball face	d <sub>1</sub>	l <sub>2</sub>	d <sub>2</sub>	d <sub>3</sub>	l <sub>3</sub>	l <sub>4</sub>	Ball dia.	A/F	Static load kN max.	Weight g
34000.W0062	With Head	Plain	M 6	20	10	3.2	6	3.0	4.0	5	6	6.1
34000.W0064	With Head	Plain	M 6	30	10	3.2	6	3.0	4.0	5	6	7.7
34000.W0066	With Head	Plain	M 6	40	10	3.2	6	16.0	4.0	5	6	10.0
34000.W0082	With Head	Plain	M 8	20	13	4.5	8	3.5	5.5	6	9	13.0
34000.W0084	With Head	Plain	M 8	35	13	4.5	8	3.5	5.5	6	9	17.0
34000.W0086	With Head	Plain	M 8	50	13	4.5	8	22.0	5.5	6	9	23.0
34000.W0102	With Head	Plain	M10	25	16	6.0	10	4.5	7.0	8	12	24.0
34000.W0104	With Head	Plain	M10	40	16	6.0	10	4.5	7.0	8	12	31.0
34000.W0106	With Head	Plain	M10	60	16	6.0	10	28.0	7.0	8	12	44.0
34000.W0122	With Head	Plain	M12	30	18	7.2	12	5.0	8.5	10	18	38.0
34000.W0124	With Head	Plain	M12	50	18	7.2	12	5.0	8.5	10	18	52.0
34000.W0126	With Head	Plain	M12	80	18	7.2	12	44.0	8.5	10	18	80.0
34000.W0162	With Head	Plain	M16	40	24	10.7	16	6.0	12.0	14	36	92.0
34000.W0164	With Head	Plain	M16	60	24	10.7	16	6.0	12.0	14	36	118.0
34000.W0166	With Head	Plain	M16	80	24	10.7	16	36.0	12.0	14	36	153.0
34000.W0172	With Head	Plain	M20	50	30	13.5	20	7.5	15.0	17	60	181.0
34000.W0174	With Head	Plain	M20	80	30	13.5	20	28.0	15.0	17	60	255.0
34000.W0176	With Head	Plain	M20	100	30	13.5	20	48.0	15.0	17	60	304.0
34000.W0182	With Head	Plain	M24	60	36	15.8	24	9.0	18.0	19	80	325.0
34000.W0184	With Head	Plain	M24	90	36	15.8	24	30.0	18.0	19	80	430.0
34000.W0186	With Head	Plain	M24	120	36	15.8	24	60.0	18.0	19	80	535.0
34000.W0192	With Head	Ribbed	M 8	20	13	4.5	8	3.5	5.5	6	9	13.0
34000.W0194	With Head	Ribbed	M 8	35	13	4.5	8	3.5	5.5	6	9	17.0
34000.W0196	With Head	Ribbed	M 8	50	13	4.5	8	22.0	5.5	6	9	23.0
34000.W0202	With Head	Ribbed	M10	25	16	6.0	10	4.5	7.0	8	12	24.0
34000.W0204	With Head	Ribbed	M10	40	16	6.0	10	4.5	7.0	8	12	31.0
34000.W0206	With Head	Ribbed	M10	60	16	6.0	10	28.0	7.0	8	12	44.0
34000.W0222	With Head	Ribbed	M12	30	18	7.2	12	5.0	8.5	10	18	38.0
34000.W0224	With Head	Ribbed	M12	50	18	7.2	12	5.0	8.5	10	18	52.0
34000.W0226	With Head	Ribbed	M12	80	18	7.2	12	44.0	8.5	10	18	80.0



Order No.	Type	Ball face	d <sub>1</sub>	l <sub>2</sub>	d <sub>2</sub>	d <sub>3</sub>	l <sub>3</sub>	l <sub>4</sub>	Ball dia.	A/F	Static load kN max.	Weight g
34000.W0262	With Head	Ribbed	M16	40	24	10.7	16	6.0	12.0	14	36	92.0
34000.W0264	With Head	Ribbed	M16	60	24	10.7	16	6.0	12.0	14	36	118.0
34000.W0266	With Head	Ribbed	M16	80	24	10.7	16	36.0	12.0	14	36	153.0
34000.W0272	With Head	Ribbed	M20	50	30	13.5	20	7.5	15.0	17	60	181.0
34000.W0274	With Head	Ribbed	M20	80	30	13.5	20	28.0	15.0	17	60	255.0
34000.W0276	With Head	Ribbed	M20	100	30	13.5	20	48.0	15.0	17	60	304.0
34000.W0282	With Head	Ribbed	M24	60	36	15.8	24	9.0	18.0	19	80	325.0
34000.W0284	With Head	Ribbed	M24	90	36	15.8	24	30.0	18.0	19	80	430.0
34000.W0286	With Head	Ribbed	M24	120	36	15.8	24	60.0	18.0	19	80	535.0
34000.W0563	W/o Head	Plain	M 6	12	-	3.2	-	-	4.0	3	6	1.6
34000.W0564	W/o Head	Plain	M 6	16	-	3.2	-	-	4.0	3	6	2.3
34000.W0565	W/o Head	Plain	M 6	20	-	3.2	-	-	4.0	3	6	2.9
34000.W0566	W/o Head	Plain	M 6	25	-	3.2	-	-	4.0	3	6	3.8
34000.W0583	W/o Head	Plain	M 8	16	-	4.5	-	-	5.5	4	9	3.7
34000.W0584	W/o Head	Plain	M 8	20	-	4.5	-	-	5.5	4	9	5.1
34000.W0585	W/o Head	Plain	M 8	25	-	4.5	-	-	5.5	4	9	6.5
34000.W0586	W/o Head	Plain	M 8	30	-	4.5	-	-	5.5	4	9	8.1
34000.W0603	W/o Head	Plain	M10	20	-	6.0	-	-	7.0	5	12	7.6
34000.W0604	W/o Head	Plain	M10	25	-	6.0	-	-	7.0	5	12	10.0
34000.W0606	W/o Head	Plain	M10	35	-	6.0	-	-	7.0	5	12	15.0
34000.W0608	W/o Head	Plain	M10	40	-	6.0	-	-	7.0	5	12	17.0
34000.W0622	W/o Head	Plain	M12	20	-	7.2	-	-	8.5	6	18	11.0
34000.W0624	W/o Head	Plain	M12	30	-	7.2	-	-	8.5	6	18	18.0
34000.W0626	W/o Head	Plain	M12	40	-	7.2	-	-	8.5	6	18	24.0
34000.W0628	W/o Head	Plain	M12	50	-	7.2	-	-	8.5	6	18	32.0
34000.W0661	W/o Head	Plain	M16	20	-	10.7	-	-	12.0	8	36	22.0
34000.W0662	W/o Head	Plain	M16	25	-	10.7	-	-	12.0	8	36	28.0
34000.W0664	W/o Head	Plain	M16	35	-	10.7	-	-	12.0	8	36	38.0
34000.W0666	W/o Head	Plain	M16	50	-	10.7	-	-	12.0	8	36	60.0
34000.W0672	W/o Head	Plain	M20	30	-	13.5	-	-	15.0	10	60	52.0
34000.W0674	W/o Head	Plain	M20	40	-	13.5	-	-	15.0	10	60	70.0
34000.W0675	W/o Head	Plain	M20	50	-	13.5	-	-	15.0	10	60	90.0
34000.W0676	W/o Head	Plain	M20	60	-	13.5	-	-	15.0	10	60	111.0
34000.W0682	W/o Head	Plain	M24	35	-	15.8	-	-	18.0	12	80	86.0
34000.W0684	W/o Head	Plain	M24	50	-	15.8	-	-	18.0	12	80	125.0
34000.W0686	W/o Head	Plain	M24	80	-	15.8	-	-	18.0	12	80	216.0
34000.W0693	W/o Head	Ribbed	M 8	16	-	4.5	-	-	5.5	4	9	3.7
34000.W0694	W/o Head	Ribbed	M 8	20	-	4.5	-	-	5.5	4	9	5.1
34000.W0695	W/o Head	Ribbed	M 8	25	-	4.5	-	-	5.5	4	9	6.5
34000.W0696	W/o Head	Ribbed	M 8	30	-	4.5	-	-	5.5	4	9	8.1
34000.W0703	W/o Head	Ribbed	M10	20	-	6.0	-	-	7.0	5	12	7.6
34000.W0704	W/o Head	Ribbed	M10	25	-	6.0	-	-	7.0	5	12	10.0
34000.W0706	W/o Head	Ribbed	M10	35	-	6.0	-	-	7.0	5	12	15.0
34000.W0708	W/o Head	Ribbed	M10	40	-	6.0	-	-	7.0	5	12	17.0
34000.W0722	W/o Head	Ribbed	M12	20	-	7.2	-	-	8.5	6	18	11.0
34000.W0724	W/o Head	Ribbed	M12	30	-	7.2	-	-	8.5	6	18	18.0
34000.W0726	W/o Head	Ribbed	M12	40	-	7.2	-	-	8.5	6	18	24.0
34000.W0728	W/o Head	Ribbed	M12	50	-	7.2	-	-	8.5	6	18	32.0
34000.W0761	W/o Head	Ribbed	M16	20	-	10.7	-	-	12.0	8	36	22.0
34000.W0762	W/o Head	Ribbed	M16	25	-	10.7	-	-	12.0	8	36	28.0
34000.W0764	W/o Head	Ribbed	M16	35	-	10.7	-	-	12.0	8	36	38.0
34000.W0766	W/o Head	Ribbed	M16	50	-	10.7	-	-	12.0	8	36	60.0
34000.W0772	W/o Head	Ribbed	M20	30	-	13.5	-	-	15.0	10	60	52.0
34000.W0774	W/o Head	Ribbed	M20	40	-	13.5	-	-	15.0	10	60	70.0
34000.W0775	W/o Head	Ribbed	M20	50	-	13.5	-	-	15.0	10	60	90.0
34000.W0776	W/o Head	Ribbed	M20	60	-	13.5	-	-	15.0	10	60	111.0
34000.W0782	W/o Head	Ribbed	M24	35	-	15.8	-	-	18.0	12	80	86.0
34000.W0784	W/o Head	Ribbed	M24	50	-	15.8	-	-	18.0	12	80	125.0



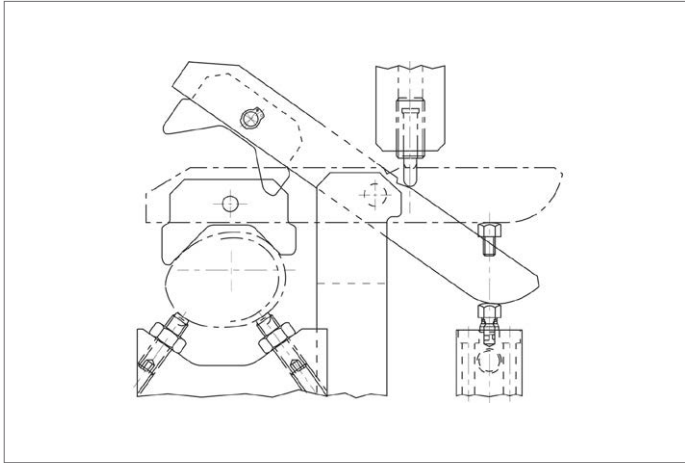
# Thrust Screws - Steel

ball ended - flat - metal - secured



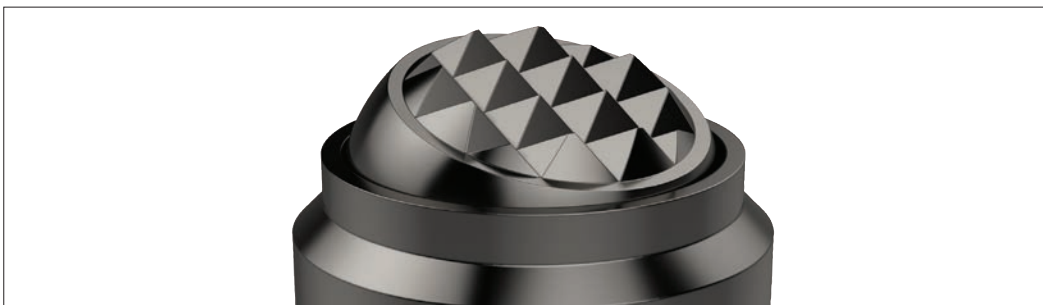
## Thrust Screws

Order No.	Type	Ball face	$d_1$	$l_2$	$d_2$	$d_3$	$l_3$	$l_4$	Ball dia.	A/F	Static load kN max.	Weight g
34000.W0786	W/o Head	Ribbed	M24	80	-	15.8	-	-	18.0	12	80	216.0





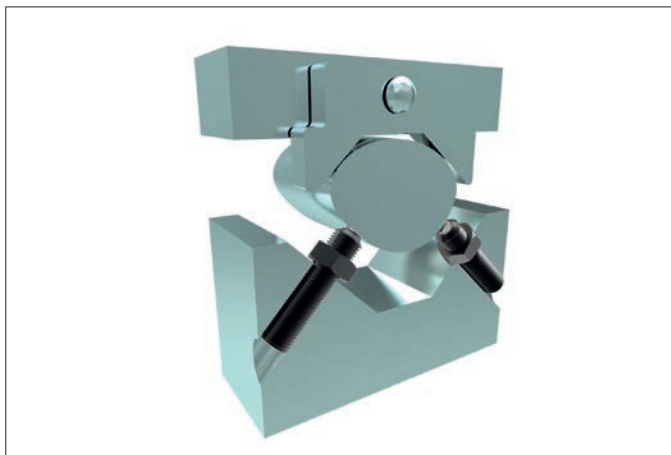
Clamping, supporting and aligning non-parallel and uneven surfaces is greatly simplified with the use of Wixroyd self-aligning pads and thrust screws. Available with ridged faces for improved holding of cast components, or plastic faces for holding more delicate parts.



THRUST SCREWS

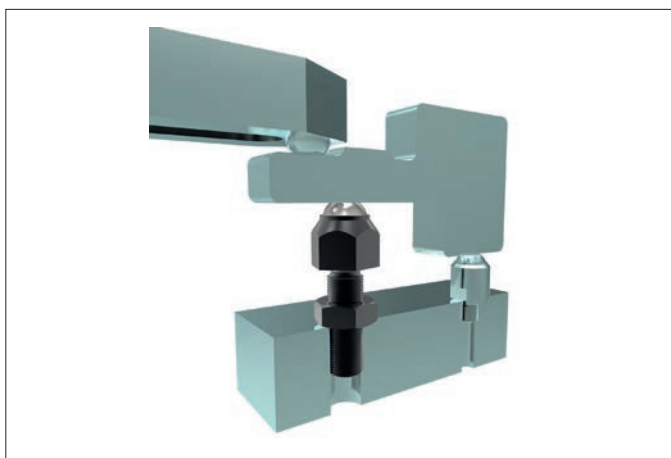
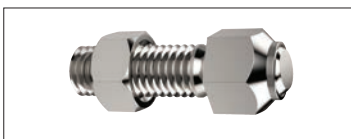
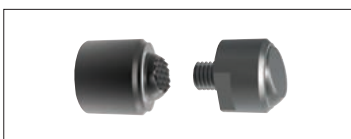
**Self-aligning Thrust Screws**

**34000 to 34060** - Self-aligning thrust screws in sizes M6 to M24, ideal for clamping or supporting non-parallel surfaces.



**Self-aligning Pads**

**34080 to 34121** - Self-aligning pads, both male and female mounting, ideal for accommodating variations between parts in fixtures.



**Thrust Screws**

**34140 to 34160** - Thrust screws, with either brass or thermoplastic pads, are suitable for gentle clamping and positioning more delicate parts.

