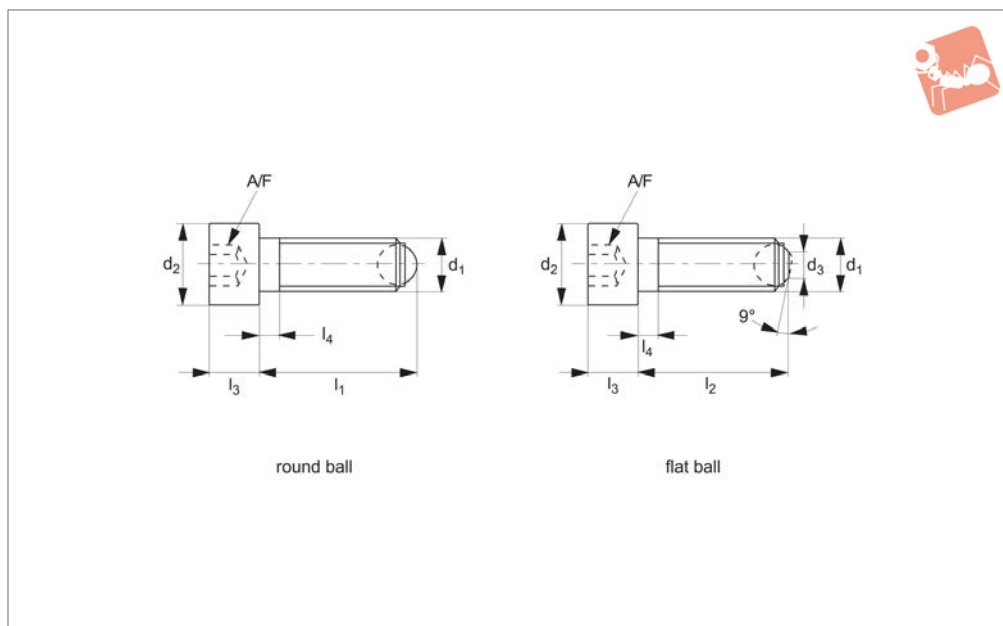




Thrust Screws - Headed ball ended - metal

Thrust Screws



34020

THRUST SCREWS

Material

Steel type-

Body: heat treated steel, 1200 +/-100 N/mm².

Ball: ball bearing steel, hardened.

Stainless steel type-

Body: stainless steel 1.4305 (AISI 303).

Ball: stainless steel, hardened.

Technical Notes

For thrust screws secured against turning - see no. 34000/X34000#26 or 34002. For clamping, tightening or supporting surfaces that are not exactly parallel.

* stated load capacity relate to steel version only.

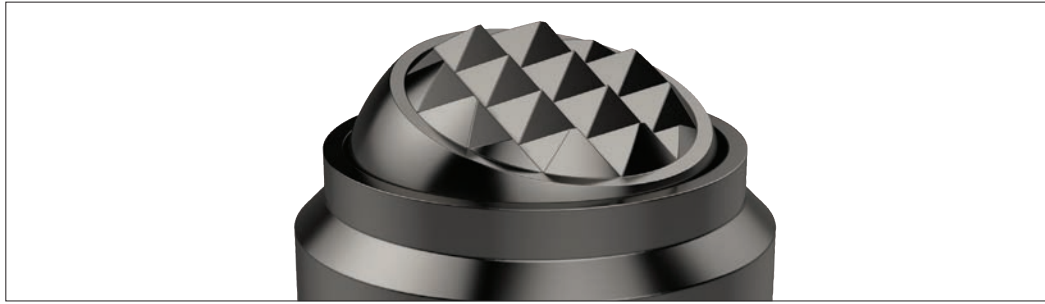
Tips

Ball not secured against rotation, it is possible for the flat faced ball to flip and expose the spherical face of the ball.

Order No.	Material	Ball face type	d ₁	l ₁	l ₂	d ₂	d ₃	l ₃	l ₄	Ball dia.	A/F	Static load kN max.	Weight g
34020.W0062	Steel	Round	M_6	20.8	-	10	-	6	3.0	4.0	5	9	6.2
34020.W0064	Steel	Round	M_6	30.8	-	10	-	6	3.0	4.0	5	9	8.0
34020.W0066	Steel	Round	M_6	40.8	-	10	-	6	16.0	4.0	5	9	10.0
34020.W0082	Steel	Round	M_8	21.2	-	13	-	8	3.5	5.5	6	15	13.0
34020.W0084	Steel	Round	M_8	36.2	-	13	-	8	3.5	5.5	6	15	17.0
34020.W0086	Steel	Round	M_8	51.2	-	13	-	8	22.0	5.5	6	15	24.0
34020.W0102	Steel	Round	M10	26.7	-	16	-	10	4.5	7.0	8	20	24.0
34020.W0104	Steel	Round	M10	41.7	-	16	-	10	4.5	7.0	8	20	31.0
34020.W0106	Steel	Round	M10	61.7	-	16	-	10	28.0	7.0	8	20	44.0
34020.W0122	Steel	Round	M12	32.0	-	18	-	12	5.0	8.5	10	30	38.0
34020.W0124	Steel	Round	M12	52.0	-	18	-	12	5.0	8.5	10	30	52.0
34020.W0126	Steel	Round	M12	82.0	-	18	-	12	44.0	8.5	10	30	79.0
34020.W0162	Steel	Round	M16	43.3	-	24	-	16	6.0	12.0	14	60	94.0
34020.W0164	Steel	Round	M16	63.3	-	24	-	16	6.0	12.0	14	60	119.0
34020.W0166	Steel	Round	M16	83.3	-	24	-	16	36.0	12.0	14	60	156.0
34020.W0202	Steel	Round	M20	54.2	-	30	-	20	7.5	15.0	17	90	183.0
34020.W0204	Steel	Round	M20	84.2	-	30	-	20	28.0	15.0	17	90	254.0
34020.W0206	Steel	Round	M20	104.2	-	30	-	20	48.0	15.0	17	90	307.0
34020.W0242	Steel	Round	M24	64.7	-	36	-	24	9.0	18.0	19	120	331.0
34020.W0244	Steel	Round	M24	94.7	-	36	-	24	30.0	18.0	19	120	430.0
34020.W0246	Steel	Round	M24	124.7	-	36	-	24	60.0	18.0	19	120	537.0
34020.W0562	Steel	Flat, Plain	M_6	-	20.0	10	3.2	6	3.0	4.0	5	9	6.1
34020.W0564	Steel	Flat, Plain	M_6	-	30.0	10	3.2	6	3.0	4.0	5	9	7.6
34020.W0566	Steel	Flat, Plain	M_6	-	40.0	10	3.2	6	16.0	4.0	5	9	10.0
34020.W0582	Steel	Flat, Plain	M_8	-	20.0	13	4.5	8	3.5	5.5	6	15	13.0
34020.W0584	Steel	Flat, Plain	M_8	-	35.0	13	4.5	8	3.5	5.5	6	15	17.0
34020.W0586	Steel	Flat, Plain	M_8	-	50.0	13	4.5	8	22.0	5.5	6	15	23.0
34020.W0602	Steel	Flat, Plain	M10	-	25.0	16	6.0	10	4.5	7.0	8	20	24.0
34020.W0604	Steel	Flat, Plain	M10	-	40.0	16	6.0	10	4.5	7.0	8	20	31.0
34020.W0606	Steel	Flat, Plain	M10	-	60.0	16	6.0	10	28.0	7.0	8	20	43.0



Order No.	Material	Ball face type	d ₁	l ₁	l ₂	d ₂	d ₃	l ₃	l ₄	Ball dia.	A/F	Static load kN max.	Weight g
34020.W0622	Steel	Flat, Plain	M12	-	30.0	18	7.2	12	5.0	8.5	10	30	38.0
34020.W0624	Steel	Flat, Plain	M12	-	50.0	18	7.2	12	5.0	8.5	10	30	52.0
34020.W0626	Steel	Flat, Plain	M12	-	80.0	18	7.2	12	44.0	8.5	10	30	79.0
34020.W0662	Steel	Flat, Plain	M16	-	40.0	24	10.7	16	6.0	12.0	14	60	92.0
34020.W0664	Steel	Flat, Plain	M16	-	60.0	24	10.7	16	6.0	12.0	14	60	120.0
34020.W0666	Steel	Flat, Plain	M16	-	80.0	24	10.7	16	36.0	12.0	14	60	155.0
34020.W0702	Steel	Flat, Plain	M20	-	50.0	30	13.5	20	7.5	15.0	17	90	182.0
34020.W0704	Steel	Flat, Plain	M20	-	80.0	30	13.5	20	28.0	15.0	17	90	255.0
34020.W0706	Steel	Flat, Plain	M20	-	100.0	30	13.5	20	48.0	15.0	17	90	305.0
34020.W0742	Steel	Flat, Plain	M24	-	60.0	36	15.8	24	9.0	18.0	19	120	325.0
34020.W0744	Steel	Flat, Plain	M24	-	90.0	36	15.8	24	30.0	18.0	19	120	422.0
34020.W0746	Steel	Flat, Plain	M24	-	120.0	36	15.8	24	60.0	18.0	19	120	534.0
34020.W0752	Stainless	Round	M_6	20.8	-	10	-	6	3.0	4.0	5	9	6.2
34020.W0754	Stainless	Round	M_6	30.8	-	10	-	6	3.0	4.0	5	9	8.0
34020.W0756	Stainless	Round	M_6	40.8	-	10	-	6	16.0	4.0	5	9	10.0
34020.W0762	Stainless	Round	M_8	21.2	-	13	-	8	3.5	5.5	6	15	13.0
34020.W0764	Stainless	Round	M_8	36.2	-	13	-	8	3.5	5.5	6	15	17.0
34020.W0766	Stainless	Round	M_8	51.2	-	13	-	8	22.0	5.5	6	15	24.0
34020.W0772	Stainless	Round	M10	26.7	-	16	-	10	4.5	7.0	8	20	24.0
34020.W0774	Stainless	Round	M10	41.7	-	16	-	10	4.5	7.0	8	20	31.0
34020.W0776	Stainless	Round	M10	61.7	-	16	-	10	28.0	7.0	8	20	44.0
34020.W0782	Stainless	Round	M12	32.0	-	18	-	12	5.0	8.5	10	30	38.0
34020.W0784	Stainless	Round	M12	52.0	-	18	-	12	5.0	8.5	10	30	52.0
34020.W0786	Stainless	Round	M12	82.0	-	18	-	12	44.0	8.5	10	30	79.0
34020.W0792	Stainless	Round	M16	43.3	-	24	-	16	6.0	12.0	14	60	94.0
34020.W0794	Stainless	Round	M16	63.3	-	24	-	16	6.0	12.0	14	60	119.0
34020.W0796	Stainless	Round	M16	83.3	-	24	-	16	36.0	12.0	14	60	156.0
34020.W0832	Stainless	Flat, Plain	M_6	-	20.0	10	3.2	6	3.0	4.0	5	9	6.1
34020.W0834	Stainless	Flat, Plain	M_6	-	30.0	10	3.2	6	3.0	4.0	5	9	7.6
34020.W0836	Stainless	Flat, Plain	M_6	-	40.0	10	3.2	6	16.0	4.0	5	9	10.0
34020.W0842	Stainless	Flat, Plain	M_8	-	20.0	13	4.5	8	3.5	5.5	6	15	13.0
34020.W0844	Stainless	Flat, Plain	M_8	-	35.0	13	4.5	8	3.5	5.5	6	15	17.0
34020.W0846	Stainless	Flat, Plain	M_8	-	50.0	13	4.5	8	22.0	5.5	6	15	23.0
34020.W0852	Stainless	Flat, Plain	M10	-	25.0	16	6.0	10	4.5	7.0	8	20	24.0
34020.W0854	Stainless	Flat, Plain	M10	-	40.0	16	6.0	10	4.5	8	8	20	31.0
34020.W0856	Stainless	Flat, Plain	M10	-	60.0	16	6.0	10	28.0	7.0	8	20	44.0
34020.W0862	Stainless	Flat, Plain	M12	-	30.0	18	7.2	12	5.0	8.5	10	30	38.0
34020.W0864	Stainless	Flat, Plain	M12	-	50.0	18	7.2	12	5.0	8.5	10	30	52.0
34020.W0866	Stainless	Flat, Plain	M12	-	80.0	18	7.2	12	44.0	8.5	10	30	79.0
34020.W0872	Stainless	Flat, Plain	M16	-	40.0	24	10.7	16	6.0	12.0	14	60	92.0
34020.W0874	Stainless	Flat, Plain	M16	-	60.0	24	10.7	16	6.0	12.0	14	60	120.0
34020.W0876	Stainless	Flat, Plain	M16	-	80.0	24	10.7	16	36.0	12.0	14	60	155.0
34020.W0892	Steel	Flat, Ribbed	M 8	-	20.0	13	4.5	8	3.5	5.5	6	15	12.0
34020.W0894	Steel	Flat, Ribbed	M 8	-	35.0	13	4.5	8	3.5	5.5	6	15	17.0
34020.W0896	Steel	Flat, Ribbed	M 8	-	50.0	13	4.5	8	22.0	5.5	6	15	23.0
34020.W0904	Steel	Flat, Ribbed	M10	-	40.0	16	6.0	10	4.5	7.0	8	20	31.0
34020.W0906	Steel	Flat, Ribbed	M10	-	60.0	16	6.0	10	28.0	7.0	8	20	44.0
34020.W0922	Steel	Flat, Ribbed	M12	-	30.0	18	7.2	12	5.0	8.5	10	30	39.0
34020.W0924	Steel	Flat, Ribbed	M12	-	50.0	18	7.2	12	5.0	8.5	10	30	53.0
34020.W0926	Steel	Flat, Ribbed	M12	-	80.0	18	7.2	12	44.0	8.5	10	30	79.0
34020.W0962	Steel	Flat, Ribbed	M16	-	40.0	24	10.7	16	6.0	12.0	14	60	92.0
34020.W0964	Steel	Flat, Ribbed	M16	-	60.0	24	10.7	16	6.0	12.0	14	60	118.0
34020.W0966	Steel	Flat, Ribbed	M16	-	80.0	24	10.7	16	36.0	12.0	14	60	155.0
34020.W0972	Steel	Flat, Ribbed	M20	-	50.0	30	13.5	20	7.5	15.0	17	90	180.0
34020.W0974	Steel	Flat, Ribbed	M20	-	80.0	30	13.5	20	28.0	15.0	17	90	254.0
34020.W0976	Steel	Flat, Ribbed	M20	-	100.0	30	13.5	20	48.0	15.0	17	90	303.0
34020.W0982	Steel	Flat, Ribbed	M24	-	60.0	36	15.8	24	9.0	18.0	19	120	324.0
34020.W0984	Steel	Flat, Ribbed	M24	-	90.0	36	15.8	24	30.0	18.0	19	120	427.0
34020.W0986	Steel	Flat, Ribbed	M24	-	120.0	36	15.8	24	60.0	18.0	19	120	536.0

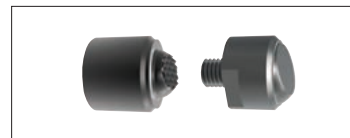
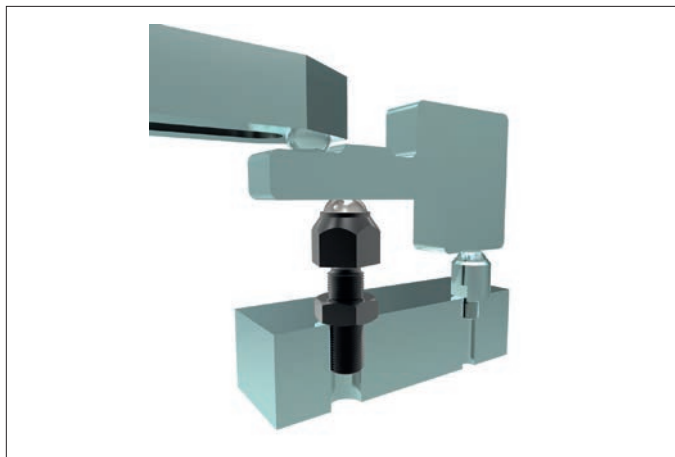


Clamping, supporting and aligning non-parallel and uneven surfaces is greatly simplified with the use of Wixroyd self-aligning pads and thrust screws. Available with ridged faces for improved holding of cast components, or plastic faces for holding more delicate parts.



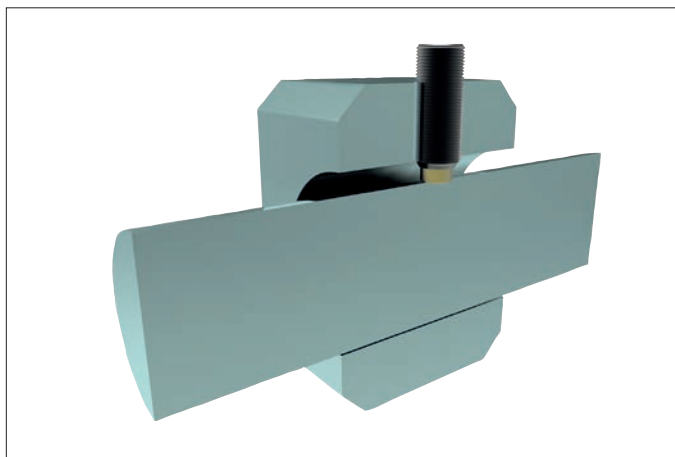
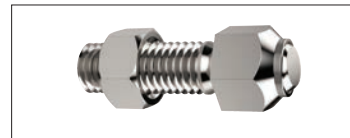
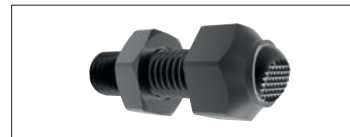
Self-aligning Thrust Screws

34000 to 34060 - Self-aligning thrust screws in sizes M6 to M24, ideal for clamping or supporting non-parallel surfaces.



Self-aligning Pads

34080 to 34121 - Self-aligning pads, both male and female mounting, ideal for accommodating variations between parts in fixtures.



Thrust Screws

34140 to 34160 - Thrust screws, with either brass or thermoplastic pads, are suitable for gentle clamping and positioning more delicate parts.



THRUST SCREWS

ov-W34000-A-T-W34160.2-AP0124-T-self-aligning-pads-and-thrust-screws-a-rmh - Updated - 28-10-2022