

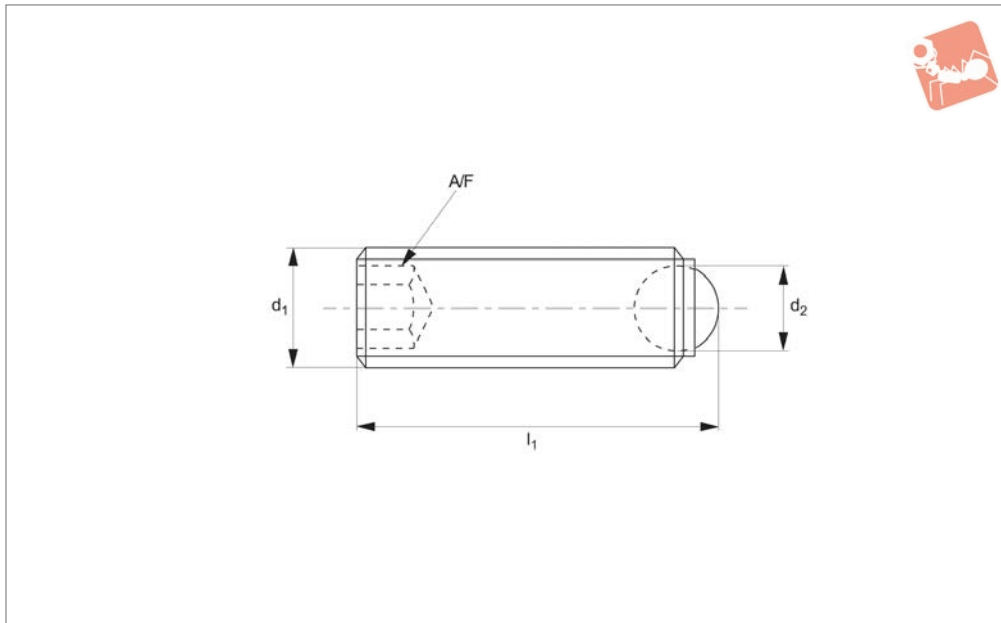


Thrust Screws - Ball Ended

headless - round ball - thermoplastic



Thrust Screws



34042

THRUST SCREWS

Material

Steel type-

Body: steel, heat-treated, 1200 ±100 N/mm².

Ball: thermoplastic POM, white.

Stainless steel type-

Body: stainless steel (AISI 303, 1.4305).

Ball: thermoplastic POM, white.

Technical Notes

Ball-ended thrust screws with thermoplastic balls are used for brittle, pressure sensitive parts. For clamping, tightening or supporting surfaces that are not exactly

parallel.

Max temperature -30°C to 80°C.

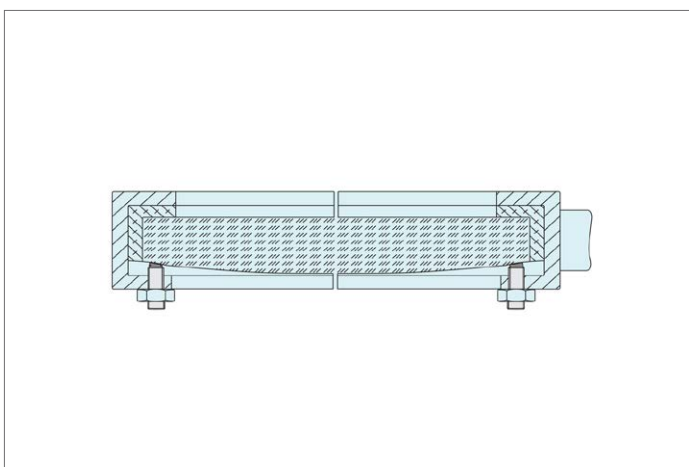
Tips

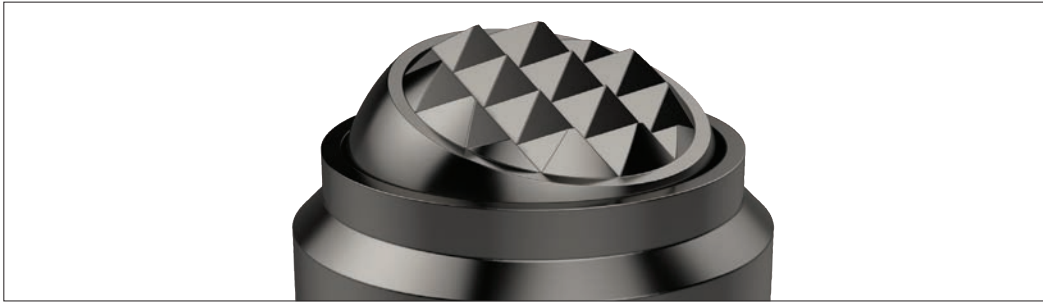
Ball not secured against rotation. For other types see following pages.

Order No.	Material	Ball type	d ₁	d ₂	l ₁	A/F	Static load kN max.	Weight g
34042.W0252	Stainless	Round	M 4	2.5	6.0	2.0	0.3	0.2
34042.W0253	Stainless	Round	M 4	2.5	8.0	2.0	0.3	0.4
34042.W0254	Stainless	Round	M 4	2.5	10.0	2.0	0.3	0.7
34042.W0255	Stainless	Round	M 4	2.5	12.0	2.0	0.3	0.9
34042.W0256	Stainless	Round	M 4	2.5	16.0	2.0	0.3	1.1
34042.W0262	Stainless	Round	M 5	3.0	8.0	2.5	0.5	0.8
34042.W0263	Stainless	Round	M 5	3.0	10.0	2.5	0.5	0.8
34042.W0264	Stainless	Round	M 5	3.0	12.0	2.5	0.5	1.2
34042.W0265	Stainless	Round	M 5	3.0	16.0	2.5	0.5	1.4
34042.W0266	Stainless	Round	M 5	3.0	20.0	2.5	0.5	1.9
34042.W0267	Stainless	Round	M 5	3.0	25.0	2.5	0.5	2.5
34042.W0272	Stainless	Round	M 6	4.0	10.8	3.0	0.9	1.1
34042.W0273	Stainless	Round	M 6	4.0	12.8	3.0	0.9	1.4
34042.W0274	Stainless	Round	M 6	4.0	16.8	3.0	0.9	2.1
34042.W0275	Stainless	Round	M 6	4.0	20.8	3.0	0.9	2.8
34042.W0276	Stainless	Round	M 6	4.0	25.8	3.0	0.9	3.8
34042.W0281	Stainless	Round	M 8	5.5	11.2	4.0	1.5	1.9
34042.W0282	Stainless	Round	M 8	5.5	13.2	4.0	1.5	2.4
34042.W0283	Stainless	Round	M 8	5.5	17.2	4.0	1.5	3.6
34042.W0284	Stainless	Round	M 8	5.5	21.2	4.0	1.5	4.6
34042.W0285	Stainless	Round	M 8	5.5	26.2	4.0	1.5	6.3
34042.W0286	Stainless	Round	M 8	5.5	31.2	4.0	1.5	7.8
34042.W0291	Stainless	Round	M10	7.0	13.7	5.0	2.0	3.5
34042.W0292	Stainless	Round	M10	7.0	17.7	5.0	2.0	4.8
34042.W0293	Stainless	Round	M10	7.0	21.7	5.0	2.0	6.8
34042.W0294	Stainless	Round	M10	7.0	26.7	5.0	2.0	9.4
34042.W0295	Stainless	Round	M10	7.0	31.7	5.0	2.0	12.0
34042.W0296	Stainless	Round	M10	7.0	36.7	5.0	2.0	14.0
34042.W0297	Stainless	Round	M10	7.0	41.7	5.0	2.0	17.
34042.W0301	Stainless	Round	M12	8.5	18.0	6.0	3.0	6.8



Order No.	Material	Ball type	d ₁	d ₂	l ₁	A/F	Static load kN max.	Weight g
34042.W0302	Stainless	Round	M12	8.5	22.0	6.0	3.0	9.2
34042.W0303	Stainless	Round	M12	8.5	27.0	6.0	3.0	12.0
34042.W0304	Stainless	Round	M12	8.5	32.0	6.0	3.0	16.0
34042.W0306	Stainless	Round	M12	8.5	42.0	6.0	3.0	23.0
34042.W0308	Stainless	Round	M12	8.5	52.0	6.0	3.0	30.0
34042.W0342	Steel	Round	M 4	2.5	6.0	2.0	0.3	0.2
34042.W0343	Steel	Round	M 4	2.5	8.0	2.0	0.3	0.4
34042.W0344	Steel	Round	M 4	2.5	10.0	2.0	0.3	0.7
34042.W0345	Steel	Round	M 4	2.5	12.0	2.0	0.3	0.9
34042.W0346	Steel	Round	M 4	2.5	16.0	2.0	0.3	1.1
34042.W0352	Steel	Round	M 5	3.0	8.0	2.5	0.5	0.8
34042.W0353	Steel	Round	M 5	3.0	10.0	2.5	0.5	0.8
34042.W0354	Steel	Round	M 5	3.0	12.0	2.5	0.5	1.2
34042.W0355	Steel	Round	M 5	3.0	16.0	2.5	0.5	1.4
34042.W0356	Steel	Round	M 5	3.0	20.0	2.5	0.5	1.9
34042.W0358	Steel	Round	M 5	3.0	25.0	2.5	0.5	2.5
34042.W0362	Steel	Round	M 6	4.0	10.8	3.0	0.9	1.1
34042.W0363	Steel	Round	M 6	4.0	12.8	3.0	0.9	1.4
34042.W0364	Steel	Round	M 6	4.0	16.8	3.0	0.9	2.1
34042.W0365	Steel	Round	M 6	4.0	20.8	3.0	0.9	2.7
34042.W0366	Steel	Round	M 6	4.0	25.8	3.0	0.9	3.8
34042.W0381	Steel	Round	M 8	5.5	11.2	4.0	1.5	1.9
34042.W0382	Steel	Round	M 8	5.5	13.2	4.0	1.5	2.4
34042.W0383	Steel	Round	M 8	5.5	17.2	4.0	1.5	3.6
34042.W0384	Steel	Round	M 8	5.5	21.2	4.0	1.5	4.6
34042.W0385	Steel	Round	M 8	5.5	26.2	4.0	1.5	6.3
34042.W0386	Steel	Round	M 8	5.5	31.2	4.0	1.5	7.8
34042.W0401	Steel	Round	M10	7.0	13.7	5.0	2.0	3.5
34042.W0402	Steel	Round	M10	7.0	17.7	5.0	2.0	4.8
34042.W0403	Steel	Round	M10	7.0	21.7	5.0	2.0	6.8
34042.W0404	Steel	Round	M10	7.0	26.7	5.0	2.0	9.4
34042.W0405	Steel	Round	M10	7.0	31.7	5.0	2.0	12.0
34042.W0406	Steel	Round	M10	7.0	36.7	5.0	2.0	14.0
34042.W0408	Steel	Round	M10	7.0	41.7	5.0	2.0	17.0
34042.W0421	Steel	Round	M12	8.5	18.0	6.0	3.0	6.8
34042.W0422	Steel	Round	M12	8.5	22.0	6.0	3.0	9.2
34042.W0423	Steel	Round	M12	8.5	27.0	6.0	3.0	12.0
34042.W0424	Steel	Round	M12	8.5	32.0	6.0	3.0	16.0
34042.W0426	Steel	Round	M12	8.5	42.0	6.0	3.0	23.0
34042.W0428	Steel	Round	M12	8.5	52.0	6.0	3.0	30.0



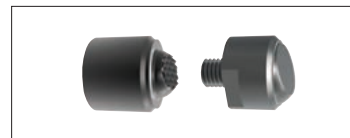
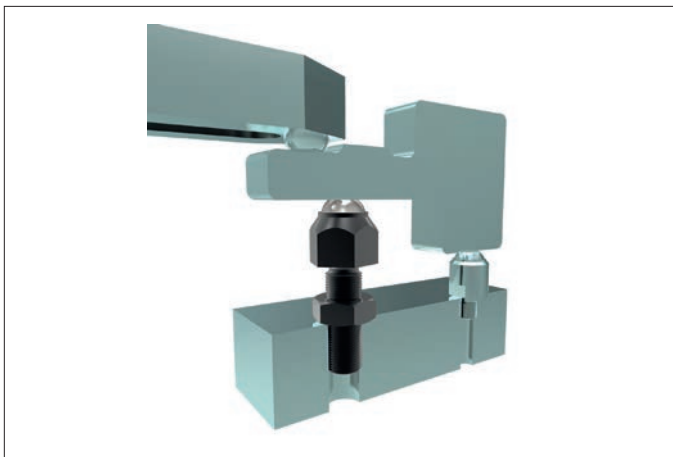


Clamping, supporting and aligning non-parallel and uneven surfaces is greatly simplified with the use of Wixroyd self-aligning pads and thrust screws. Available with ridged faces for improved holding of cast components, or plastic faces for holding more delicate parts.



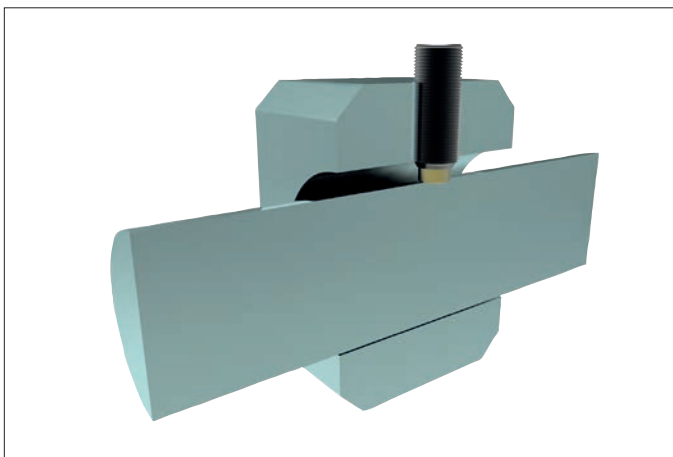
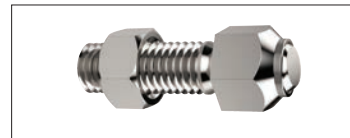
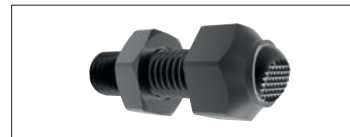
Self-aligning Thrust Screws

34000 to 34060 - Self-aligning thrust screws in sizes M6 to M24, ideal for clamping or supporting non-parallel surfaces.



Self-aligning Pads

34080 to 34121 - Self-aligning pads, both male and female mounting, ideal for accommodating variations between parts in fixtures.



Thrust Screws

34140 to 34160 - Thrust screws, with either brass or thermoplastic pads, are suitable for gentle clamping and positioning more delicate parts.



THRUST SCREWS

ov-W34000-A-T-W34160.2-AP0124-T-self-aligning-pads-and-thrust-screws-a-rmh - Updated - 28-10-2022