

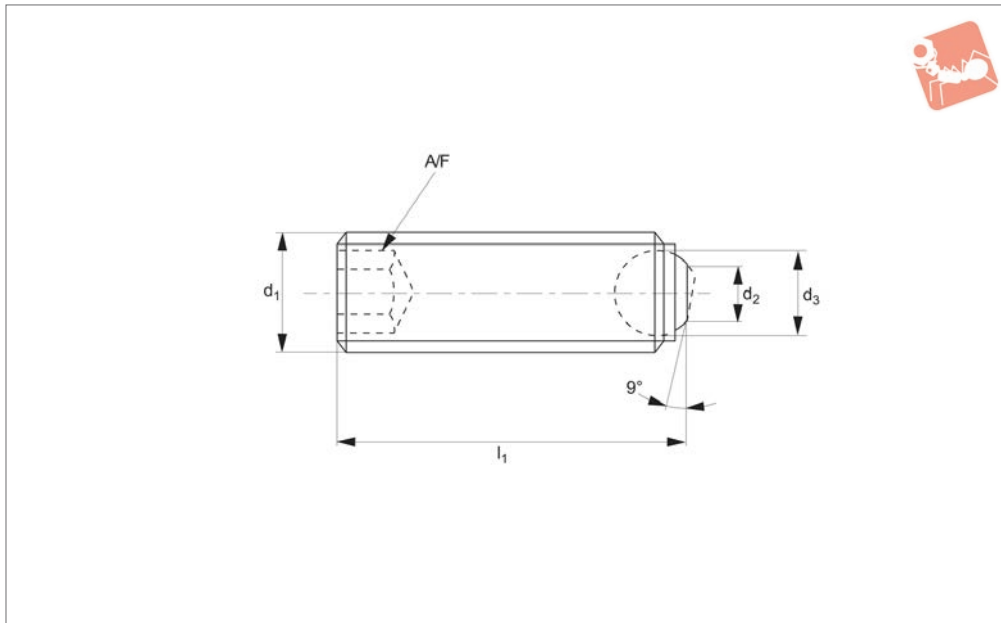


# Thrust Screws - Ball Ended

headless - flat faced ball - ribbed - metal



## Thrust Screws



**34044**

THRUST SCREWS

### Material

Body: steel, heat-treated, 1200 ±100 N/mm<sup>2</sup>.

Ball: ball bearing steel, hardened.

### Technical Notes

For clamping, tightening or supporting of

surfaces that are not exactly parallel.

Max. operating temperature 250°C.

### Tips

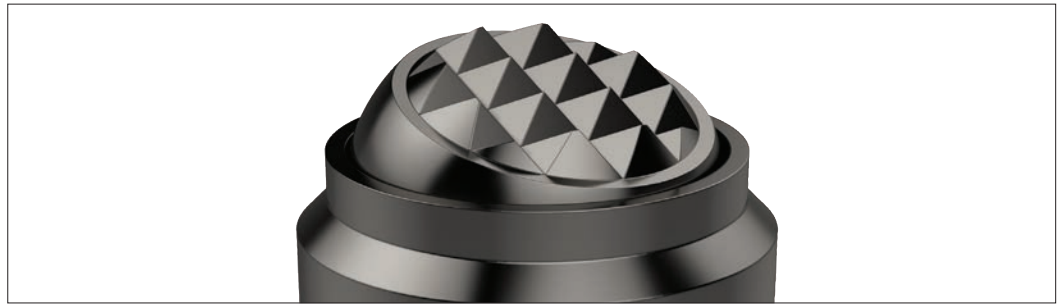
Ball not secured against rotation. It is possible for the flat faced ball to flip and expose the spherical face of the ball. For

other types see following pages.

Order No.	Ball type	d <sub>1</sub>	d <sub>2</sub>	d <sub>3</sub>	l <sub>1</sub>	A/F	Static load kN max.	Weight g
34044.W0891	Flat, Ribbed	M 8	4.5	5.5	10	4	15	3
34044.W0892	Flat, Ribbed	M 8	4.5	5.5	12	4	15	3
34044.W0893	Flat, Ribbed	M 8	4.5	5.5	16	4	15	4
34044.W0894	Flat, Ribbed	M 8	4.5	5.5	20	4	15	5
34044.W0895	Flat, Ribbed	M 8	4.5	5.5	25	4	15	7
34044.W0896	Flat, Ribbed	M 8	4.5	5.5	30	4	15	8
34044.W0901	Flat, Ribbed	M10	6.0	7.0	12	5	20	5
34044.W0902	Flat, Ribbed	M10	6.0	7.0	16	5	20	6
34044.W0903	Flat, Ribbed	M10	6.0	7.0	20	5	20	8
34044.W0904	Flat, Ribbed	M10	6.0	7.0	25	5	20	10
34044.W0905	Flat, Ribbed	M10	6.0	7.0	30	5	20	13
34044.W0906	Flat, Ribbed	M10	6.0	7.0	35	5	20	15
34044.W0908	Flat, Ribbed	M10	6.0	7.0	40	5	20	17
34044.W0921	Flat, Ribbed	M12	7.2	8.5	16	6	30	9
34044.W0922	Flat, Ribbed	M12	7.2	8.5	20	6	30	11
34044.W0923	Flat, Ribbed	M12	7.2	8.5	25	6	30	14
34044.W0924	Flat, Ribbed	M12	7.2	8.5	30	6	30	18
34044.W0926	Flat, Ribbed	M12	7.2	8.5	40	6	30	25
34044.W0928	Flat, Ribbed	M12	7.2	8.5	50	6	30	32
34044.W0961	Flat, Ribbed	M16	10.7	12	20	8	60	21
34044.W0962	Flat, Ribbed	M16	10.7	12	25	8	60	26
34044.W0964	Flat, Ribbed	M16	10.7	12	35	8	60	40
34044.W0966	Flat, Ribbed	M16	10.7	12	50	8	60	60
34044.W0972	Flat, Ribbed	M20	13.5	15	30	10	90	50
34044.W0974	Flat, Ribbed	M20	13.5	15	40	10	90	70
34044.W0975	Flat, Ribbed	M20	13.5	15	50	10	90	89
34044.W0976	Flat, Ribbed	M20	13.5	15	60	10	90	111
34044.W0982	Flat, Ribbed	M24	15.8	18	35	12	120	84
34044.W0984	Flat, Ribbed	M24	15.8	18	50	12	120	125
34044.W0986	Flat, Ribbed	M24	15.5	18	80	12	120	219



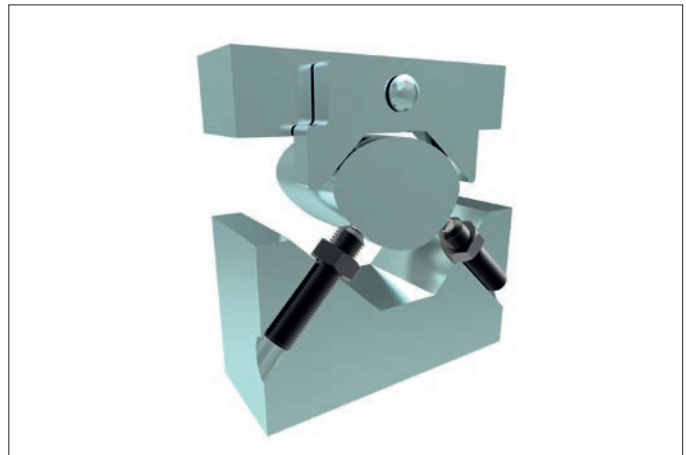
Clamping, supporting and aligning non-parallel and uneven surfaces is greatly simplified with the use of Wixroyd self-aligning pads and thrust screws. Available with ridged faces for improved holding of cast components, or plastic faces for holding more delicate parts.



THRUST SCREWS

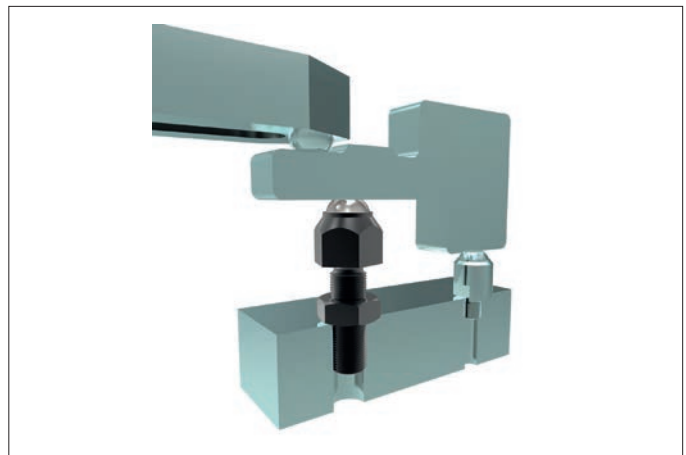
### Self-aligning Thrust Screws

**34000 to 34060** - Self-aligning thrust screws in sizes M6 to M24, ideal for clamping or supporting non-parallel surfaces.



### Self-aligning Pads

**34080 to 34121** - Self-aligning pads, both male and female mounting, ideal for accommodating variations between parts in fixtures.



### Thrust Screws

**34140 to 34160** - Thrust screws, with either brass or thermoplastic pads, are suitable for gentle clamping and positioning more delicate parts.

