

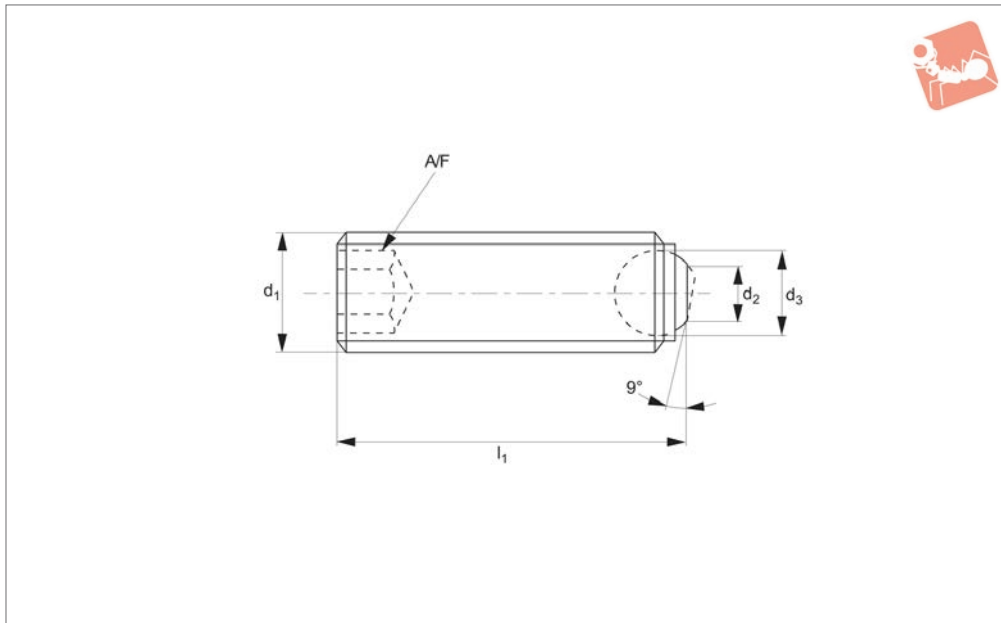


Thrust Screws - Ball Ended

headless - flat faced ball - thermoplastic



Thrust Screws



34045

THRUST SCREWS

Material

Steel type-

Body: steel, heat-treated, 1200 ±100 N/mm².

Ball: thermoplastic, red (POM).

Stainless steel type-

Body: stainless steel (AISI 303, 1.4305).

Ball: thermoplastic, red (POM).

Technical Notes

Ball-ended thrust screws with thermoplastic balls are used for brittle, pressure sensitive parts. For clamping, tightening or supporting surfaces that are not exactly

parallel.

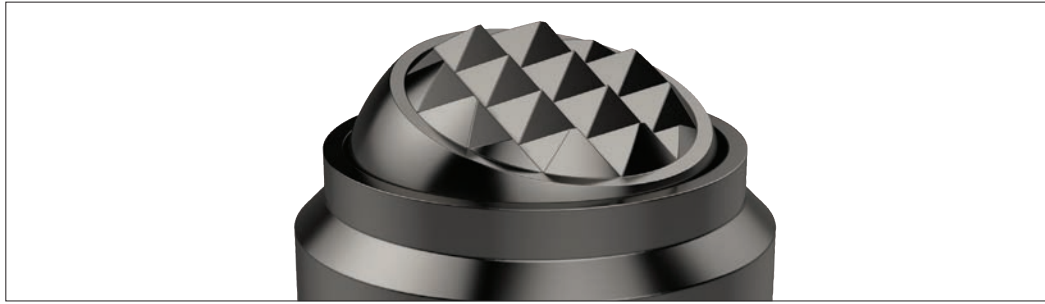
Tips

Ball not secured against rotation. It is possible for the flat faced ball to flip and expose the spherical pace of the ball.

Order No.	Material	Type	d ₁	d ₂	d ₃	l ₁	A/F	Static load kN max.	Weight g
34045.W0452	Steel	Flat, Plain	M 4	1.8	2.5	5.9	2	0.3	0.2
34045.W0453	Steel	Flat, Plain	M 4	1.8	2.5	7.9	2	0.3	0.4
34045.W0454	Steel	Flat, Plain	M 4	1.8	2.5	9.9	2	0.3	0.5
34045.W0455	Steel	Flat, Plain	M 4	1.8	2.5	11.9	2	0.3	0.9
34045.W0456	Steel	Flat, Plain	M 4	1.8	2.5	15.9	2	0.3	0.9
34045.W0462	Steel	Flat, Plain	M 5	2.1	3.0	7.8	3	0.5	0.8
34045.W0463	Steel	Flat, Plain	M 5	2.1	3.0	9.8	3	0.5	0.7
34045.W0464	Steel	Flat, Plain	M 5	2.1	3.0	11.8	3	0.5	1.2
34045.W0465	Steel	Flat, Plain	M 5	2.1	3.0	15.8	3	0.5	1.4
34045.W0466	Steel	Flat, Plain	M 5	2.1	3.0	19.8	3	0.5	2.0
34045.W0467	Steel	Flat, Plain	M 5	2.1	3.0	24.8	3	0.5	2.7
34045.W0472	Steel	Flat, Plain	M 6	3.0	4.0	10.3	3	0.9	1.1
34045.W0473	Steel	Flat, Plain	M 6	3.0	4.0	12.3	3	0.9	1.7
34045.W0474	Steel	Flat, Plain	M 6	3.0	4.0	16.3	3	0.9	2.1
34045.W0475	Steel	Flat, Plain	M 6	3.0	4.0	20.3	3	0.9	2.8
34045.W0476	Steel	Flat, Plain	M 6	3.0	4.0	25.3	3	0.9	3.6
34045.W0482	Steel	Flat, Plain	M 8	4.2	5.5	10.4	4	1.5	1.8
34045.W0483	Steel	Flat, Plain	M 8	4.2	5.5	12.4	4	1.5	2.2
34045.W0484	Steel	Flat, Plain	M 8	4.2	5.5	16.4	4	1.5	3.4
34045.W0485	Steel	Flat, Plain	M 8	4.2	5.5	20.4	4	1.5	4.8
34045.W0486	Steel	Flat, Plain	M 8	4.2	5.5	25.4	4	1.5	6.1
34045.W0487	Steel	Flat, Plain	M 8	4.2	5.5	30.4	4	1.5	7.6
34045.W0492	Stainless	Flat, Plain	M 4	1.8	2.5	5.9	2	0.3	0.2
34045.W0493	Stainless	Flat, Plain	M 4	1.8	2.5	7.9	2	0.3	0.4
34045.W0494	Stainless	Flat, Plain	M 4	1.8	2.5	9.9	2	0.3	0.5
34045.W0495	Stainless	Flat, Plain	M 4	1.8	2.5	11.9	2	0.3	0.9
34045.W0496	Stainless	Flat, Plain	M 4	1.8	2.5	15.9	2	0.3	0.9
34045.W0502	Stainless	Flat, Plain	M 5	2.1	3.0	7.8	3	0.5	0.8
34045.W0503	Stainless	Flat, Plain	M 5	2.1	3.0	9.8	3	0.5	0.7
34045.W0504	Stainless	Flat, Plain	M 5	2.1	3.0	11.8	3	0.5	1.2



Order No.	Material	Type	d ₁	d ₂	d ₃	l ₁	A/F	Static load kN max.	Weight g
34045.W0505	Stainless	Flat, Plain	M 5	2.1	3.0	15.8	3	0.5	1.4
34045.W0506	Stainless	Flat, Plain	M 5	2.1	3.0	19.8	3	0.5	2.0
34045.W0507	Stainless	Flat, Plain	M 5	2.1	3.0	24.8	3	0.5	2.7
34045.W0512	Stainless	Flat, Plain	M 6	3.0	4.0	10.3	3	0.9	1.1
34045.W0513	Stainless	Flat, Plain	M 6	3.0	4.0	12.3	3	0.9	1.7
34045.W0514	Stainless	Flat, Plain	M 6	3.0	4.0	16.3	3	0.9	2.1
34045.W0515	Stainless	Flat, Plain	M 6	3.0	4.0	20.3	3	0.9	2.8
34045.W0516	Stainless	Flat, Plain	M 6	3.0	4.0	25.3	3	0.9	3.6
34045.W0522	Stainless	Flat, Plain	M 8	4.2	5.5	10.4	4	1.5	1.8
34045.W0523	Stainless	Flat, Plain	M 8	4.2	5.5	12.4	4	1.5	2.2
34045.W0524	Stainless	Flat, Plain	M 8	4.2	5.5	16.4	4	1.5	3.4
34045.W0525	Stainless	Flat, Plain	M 8	4.2	5.5	20.4	4	1.5	4.8
34045.W0526	Stainless	Flat, Plain	M 8	4.2	5.5	25.4	4	1.5	6.1
34045.W0527	Stainless	Flat, Plain	M 8	4.2	5.5	30.4	4	1.5	7.6

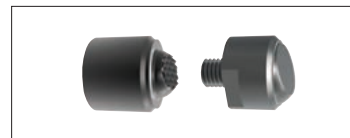
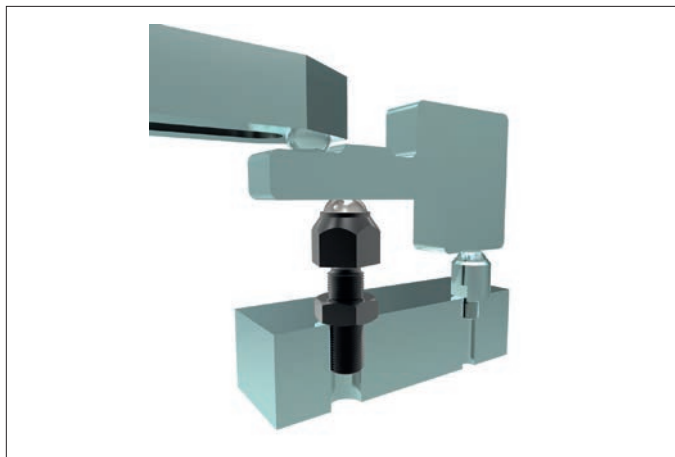


Clamping, supporting and aligning non-parallel and uneven surfaces is greatly simplified with the use of Wixroyd self-aligning pads and thrust screws. Available with ridged faces for improved holding of cast components, or plastic faces for holding more delicate parts.



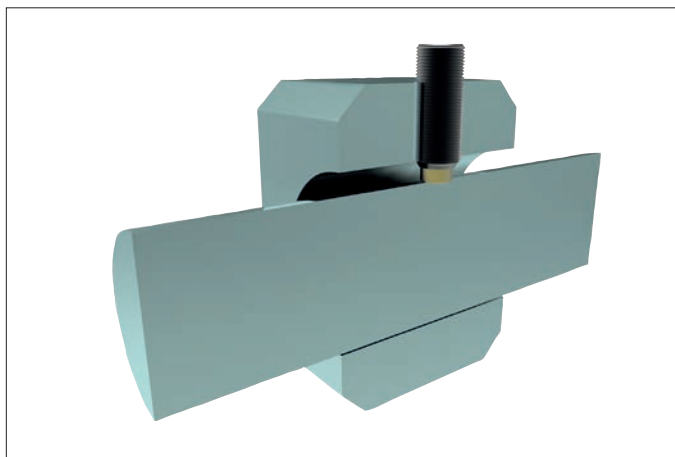
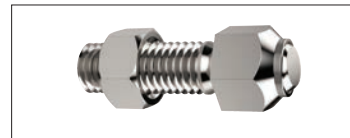
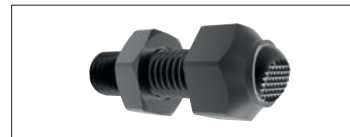
Self-aligning Thrust Screws

34000 to 34060 - Self-aligning thrust screws in sizes M6 to M24, ideal for clamping or supporting non-parallel surfaces.



Self-aligning Pads

34080 to 34121 - Self-aligning pads, both male and female mounting, ideal for accommodating variations between parts in fixtures.



Thrust Screws

34140 to 34160 - Thrust screws, with either brass or thermoplastic pads, are suitable for gentle clamping and positioning more delicate parts.



THRUST SCREWS

ov-W34000-A-T-W34160.2-AP0124-T-self-aligning-pads-and-thrust-screws-a-rmh - Updated - 28-10-2022