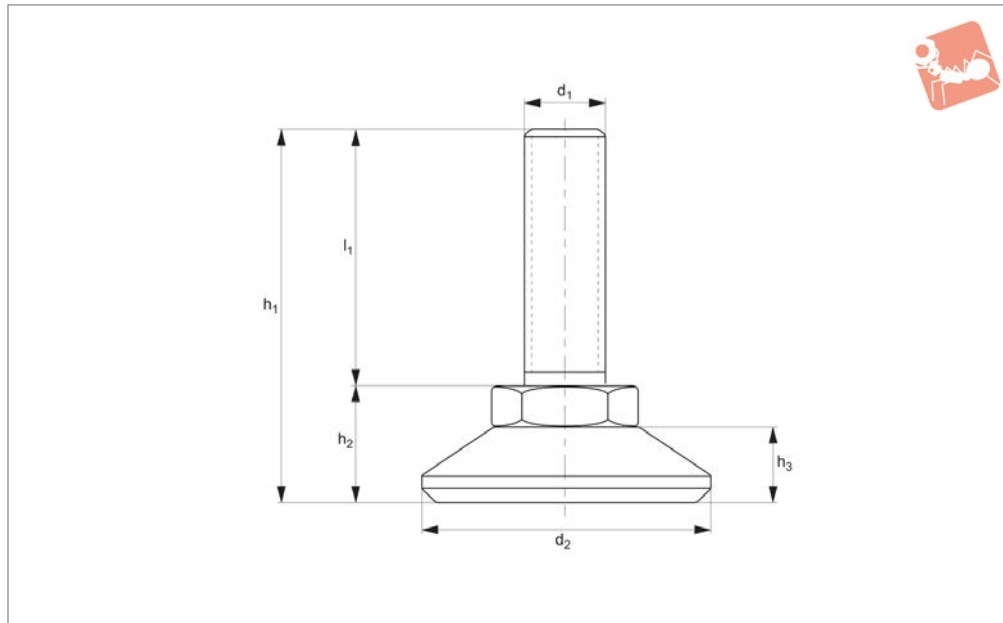




Mini Levelling Feet

steel with plastic base

Levelling Feet



34631

LEVELLING FEET

Material

Galvanised steel stud with plastic base.

calculated at the half of the screw length.

In the presence of vibrations or dynamic loads these values should be reduced.

Technical Notes

Load values shown are for static loads

Order No.	d_1	d_2	l_1	h_1	h_2	h_3	Static load N
34631.W1003	M10	40	40	58.0	18.0	11.5	3500
34631.W1004	M10	40	60	78.0	18.0	11.5	3500
34631.W1005	M10	50	40	60.0	20.0	13.5	4500
34631.W1006	M10	50	60	80.0	20.0	13.5	4500
34631.W1000	M10	26	10	26.5	16.5	11.5	1500
34631.W1001	M10	26	20	36.5	16.5	11.5	1500
34631.W1002	M10	26	30	46.5	16.5	11.5	1500



A Range of features to suit your application

Product selection

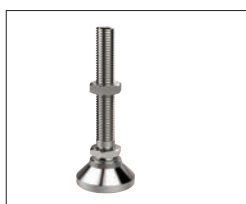
To ensure you select the most suitable levelling feet for your application consider the following questions:

- Tilting or fixed?
- Material required - steel, stainless or plastic?
- Load carrying capacity - light, medium or heavy duty?
(Review the quoted load capacities in the individual product tables).
- Bolt down feature required?
- Threaded or plastic insert required for mounting?
- Optional extras: hygiene seal, rubber pad, (subject to minimum quantity and selected model).

Key types



Fixed feet



Articulating levelling feet



Machine mounts



Fulcrum screw

Available features



Articulation



Standard nylon base



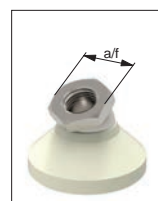
Anti-slip base



Bolt down base



Hygienic seal



Hex for easy installation

Materials



Steel thread - Nylon base



Stainless thread - Nylon base



Steel thread - Steel base



Stainless thread - Stainless base

Mounting inserts



Weldable insert



Hollow section insert



Hollow section bushed insert

Additional technical information



▶ For applications under greater loads and requiring increased precision of adjustment see our range of Precision Height Adjusters.

▶ For applications exposed to extreme vibrations see our range of Anti-Vibration Mounts.

