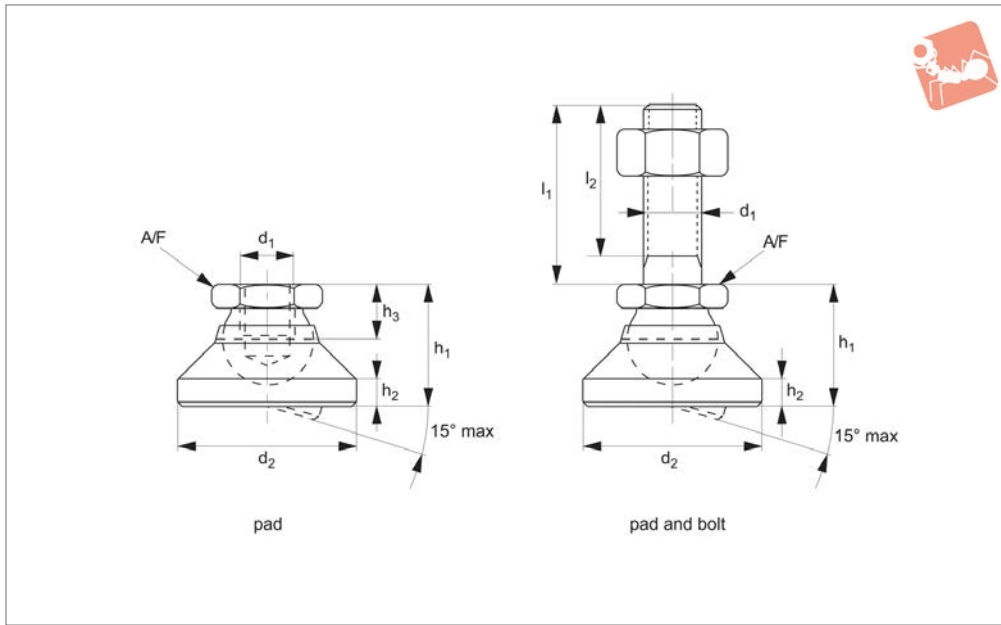




Levelling Feet

pad and bolt steel or stainless

Levelling Feet



34701

LEVELLING FEET

Material

Steel type-

Pad: heat-treated, C35Pbk (ETG100) tempered (800-1000 N/mm²), blackened.
Ball: free cutting steel, 11SMnPr30k (1.0718) - ball hardened (550±50HV10), blackened.

Ball with bolt: heat-treated steel, blackened.

Lock nut: Steel blackened, DIN 934/ISO 4032.

Stainless type-

Pad: stainless steel 1.4305 (AISI 303).
Ball: stainless steel 1.4305 (AISI 303).

Ball with bolt: stainless steel 1.4305 (AISI 303).

Lock nut: Stainless steel A2, DIN 934/ISO 4032.

Tips

To be used as feet and thrust pads.

Order No.	Material	Type	d ₁	d ₂	h ₁ ≈	h ₂	h ₃	l ₁	l ₂	A/F	Static load steel kN max.	Static load stainless kN max.	Weight g
34701.W0006	Steel	Pad	M6	20	14	2.5	5.0	-	-	10	10	8	15
34701.W0008	Steel	Pad	M8	25	18	4.0	7.0	-	-	13	18	14	33
34701.W0010	Steel	Pad	M10	32	22	5.0	9.0	-	-	17	20	16	66
34701.W0012	Steel	Pad	M12	40	26	6.0	11.0	-	-	19	35	28	112
34701.W0016	Steel	Pad	M16	50	32	7.0	13.5	-	-	24	45	36	220
34701.W0020	Steel	Pad	M20	60	42	8.0	17.0	-	-	30	55	44	413
34701.W0024	Steel	Pad	M24	60	45	9.5	19.0	-	-	36	65	52	462
34701.W0206	Stainless	Pad	M6	20	14	2.5	5.0	-	-	10	10	8	15
34701.W0208	Stainless	Pad	M8	25	18	4.0	7.0	-	-	13	18	14	33
34701.W0210	Stainless	Pad	M10	32	22	5.0	9.0	-	-	17	20	16	66
34701.W0212	Stainless	Pad	M12	40	26	6.0	11.0	-	-	19	35	28	112
34701.W0216	Stainless	Pad	M16	50	32	7.0	13.5	-	-	24	45	36	220
34701.W0220	Stainless	Pad	M20	60	42	8.0	17.0	-	-	30	55	44	413
34701.W0224	Stainless	Pad	M24	60	45	9.5	19.0	-	-	36	65	52	462
34701.W0410	Steel	Pad and Bolt	M 6	20	14	2.5	-	60	57.0	10	10	8	29
34701.W0422	Steel	Pad and Bolt	M 8	25	18	4.0	-	80	76.0	13	18	14	66
34701.W0438	Steel	Pad and Bolt	M10	32	22	5.0	-	100	95.5	17	20	16	133
34701.W0442	Steel	Pad and Bolt	M10	32	22	5.0	-	150	145.5	17	20	16	159
34701.W0452	Steel	Pad and Bolt	M12	40	26	6.0	-	100	94.5	19	35	28	211
34701.W0456	Steel	Pad and Bolt	M12	40	26	6.0	-	150	144.5	19	35	28	247
34701.W0468	Steel	Pad and Bolt	M16	50	32	7.0	-	100	94.0	24	45	36	407
34701.W0472	Steel	Pad and Bolt	M16	50	32	7.0	-	200	194.0	24	45	36	540
34701.W0482	Steel	Pad and Bolt	M20	60	42	8.0	-	100	92.5	30	55	44	722
34701.W0488	Steel	Pad and Bolt	M20	60	42	8.0	-	200	192.5	30	55	44	924
34701.W0495	Steel	Pad and Bolt	M24	60	45	9.5	-	100	91.0	36	65	52	935
34701.W0498	Steel	Pad and Bolt	M24	60	45	9.5	-	200	191.0	36	65	52	1231
34701.W0610	Stainless	Pad and Bolt	M 6	20	14	2.5	-	60	57.0	10	10	8	29
34701.W0622	Stainless	Pad and Bolt	M 8	25	18	4.0	-	80	76.0	13	18	14	66
34701.W0638	Stainless	Pad and Bolt	M10	32	22	5.0	-	100	95.5	17	20	16	133
34701.W0642	Stainless	Pad and Bolt	M10	32	22	5.0	-	150	145.5	17	20	16	159



Order No.	Material	Type	d ₁	d ₂	h ₁ ~	h ₂	h ₃	l ₁	l ₂	A/F	Static load steel kN max.	Static load stainless kN max.	Weight g
34701.W0652	Stainless	Pad and Bolt	M12	40	26	6.0	-	100	94.5	19	35	28	211
34701.W0656	Stainless	Pad and Bolt	M12	40	26	6.0	-	150	144.5	19	35	28	247
34701.W0668	Stainless	Pad and Bolt	M16	50	32	7.0	-	100	94.0	24	45	36	407
34701.W0672	Stainless	Pad and Bolt	M16	50	32	7.0	-	200	194.0	24	45	36	540
34701.W0682	Stainless	Pad and Bolt	M20	60	42	8.0	-	100	92.5	30	55	44	722
34701.W0688	Stainless	Pad and Bolt	M20	60	42	8.0	-	200	192.5	30	55	44	924
34701.W0695	Stainless	Pad and Bolt	M24	60	45	9.5	-	100	91.0	36	65	52	935
34701.W0698	Stainless	Pad and Bolt	M24	60	45	9.5	-	200	191.0	36	65	52	1231