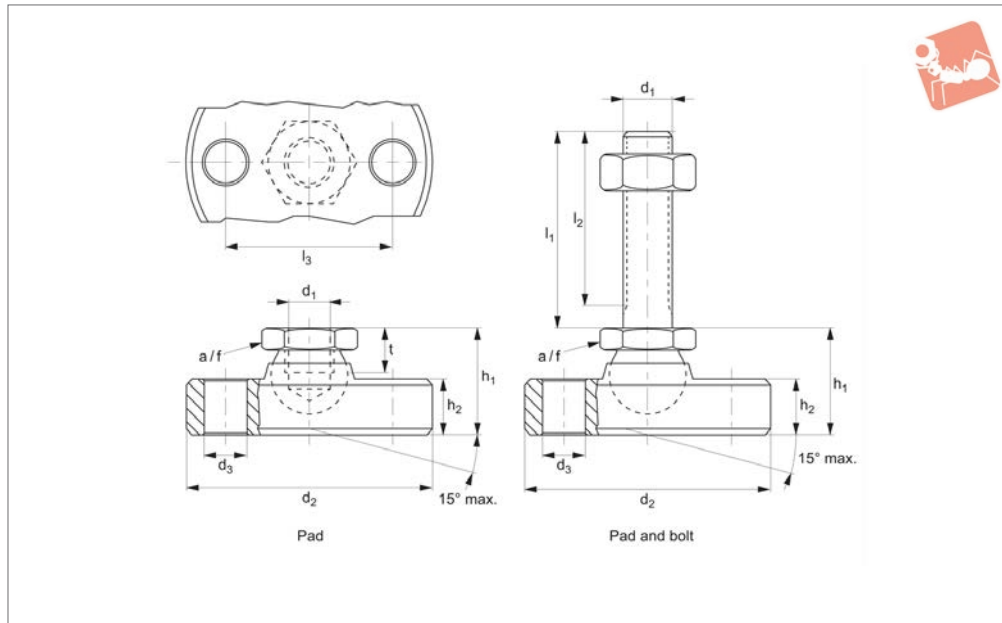




Levelling Feet - Bolt Down, Heavy

pad and bolt **stainless steel**

Levelling Feet



34713

LEVELLING FEET

Material

Pad and bolt: stainless steel 1.4305, AISI 303.

Lock nut: Stainless steel A2, DIN 934 and

ISO 4032.

Technical Notes

To be used as foot and thrust pad. Inclu-

ding two mounting holes in pad.

Order No.	Finish	d ₁	l ₁	d ₂ -0.5	d ₃	l ₂	l ₃	h ₁ ≈	h ₂	t	A/F	Static load kN max.	Weight g
34713.W0706	Pad	M 6	-	45	6.6	-	32	14	6.5	5.0	10	8	79
34713.W0708	Pad	M 8	-	50	6.6	-	38	18	8.5	7.0	13	14	130
34713.W0710	Pad	M10	-	60	9.0	-	44	22	11.5	9.0	17	16	250
34713.W0712	Pad	M12	-	65	9.0	-	48	26	12.5	11.0	19	28	326
34713.W0716	Pad	M16	-	70	9.0	-	54	32	13.5	13.5	24	36	427
34713.W0720	Pad	M20	-	80	9.0	-	64	42	16.5	17.0	30	44	718
34713.W0724	Pad	M24	-	100	11.0	-	78	45	20.5	19.0	36	52	1304
34713.W0810	Pad and Bolt	M 6	60	45	6.6	57.0	32	14	6.5	-	10	8	93
34713.W0822	Pad and Bolt	M 8	80	50	6.6	76.0	38	18	8.5	-	13	14	163
34713.W0838	Pad and Bolt	M10	100	60	9.0	95.5	44	22	11.5	-	17	16	318
34713.W0842	Pad and Bolt	M10	150	60	9.0	145.5	44	22	11.5	-	17	16	341
34713.W0852	Pad and Bolt	M12	100	65	9.0	94.5	48	26	12.5	-	19	28	423
34713.W0856	Pad and Bolt	M12	150	65	9.0	144.5	48	26	12.5	-	19	28	459
34713.W0868	Pad and Bolt	M16	100	70	9.0	94.0	54	32	13.5	-	24	36	615
34713.W0872	Pad and Bolt	M16	200	70	9.0	194.0	54	32	13.5	-	24	36	746
34713.W0882	Pad and Bolt	M20	100	80	9.0	92.5	64	42	16.5	-	30	44	1029
34713.W0888	Pad and Bolt	M20	200	80	9.0	192.5	64	42	16.5	-	30	44	1231
34713.W0895	Pad and Bolt	M24	100	100	11.0	91.0	78	45	20.5	-	36	52	1775
34713.W0898	Pad and Bolt	M24	200	100	11.0	191.0	78	45	20.5	-	36	52	2075



LEVELLING FEET

