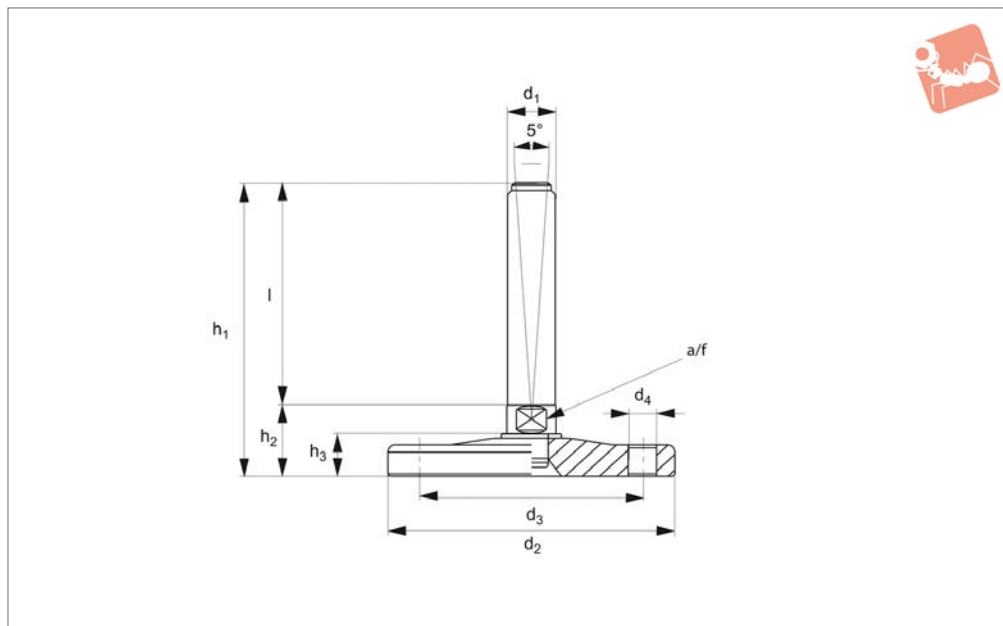




Levelling Feet - Bolt Down

stainless steel, medium load

Levelling Feet



34717

LEVELLING FEET

Material

Stainless steel (AISI 304).
Stainless steel (AISI 316) version available on request.

Technical Notes

Load values refer to static loads, located at half the screw height.
When vibrations or dynamic loads are

present these values should be reduced.

Order No.	d ₁	d ₂	d ₃	d ₄	l	h ₁	h ₂	h ₃	A/F	Load kN max.
34717.W1400	M14	80	62	10.5	50	70	20	11.5	14	20
34717.W1401	M14	80	62	10.5	100	120	20	11.5	14	20
34717.W1402	M14	80	62	10.5	150	170	20	11.5	14	20
34717.W1600	M16	120	62	12.5	75	104	29	16.5	17	40
34717.W1601	M16	120	62	12.5	100	129	29	16.5	17	40
34717.W1602	M16	120	62	12.5	150	179	29	16.5	17	40
34717.W2000	M20	120	62	12.5	75	104	29	16.5	17	40
34717.W2001	M20	120	62	12.5	125	154	29	16.5	17	40
34717.W2002	M20	120	62	12.5	175	204	29	16.5	17	40
34717.W2400	M24	120	62	12.5	100	130	30	16.5	20	45
34717.W2401	M24	120	62	12.5	150	180	30	16.5	20	45
34717.W2402	M24	120	62	12.5	200	230	30	16.5	20	45
34717.W3000	M30	120	62	12.5	125	155	30	16.5	26	45
34717.W3001	M30	120	62	12.5	175	205	30	16.5	26	45
34717.W3002	M30	120	62	12.5	225	255	30	16.5	26	45
34717.W2003	M20	150	62	12.5	75	104	29	16.5	17	50
34717.W2004	M20	150	62	12.5	125	154	29	16.5	17	50
34717.W2005	M20	150	62	12.5	175	204	29	16.5	17	50
34717.W2403	M24	150	62	12.5	100	130	30	16.5	20	55
34717.W2404	M24	150	62	12.5	150	180	30	16.5	20	55
34717.W2405	M24	150	62	12.5	200	230	30	16.5	20	55