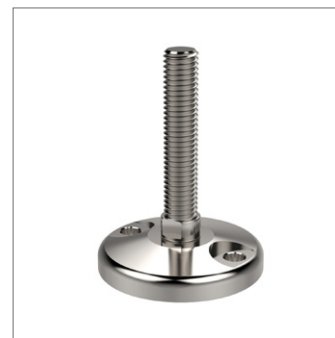
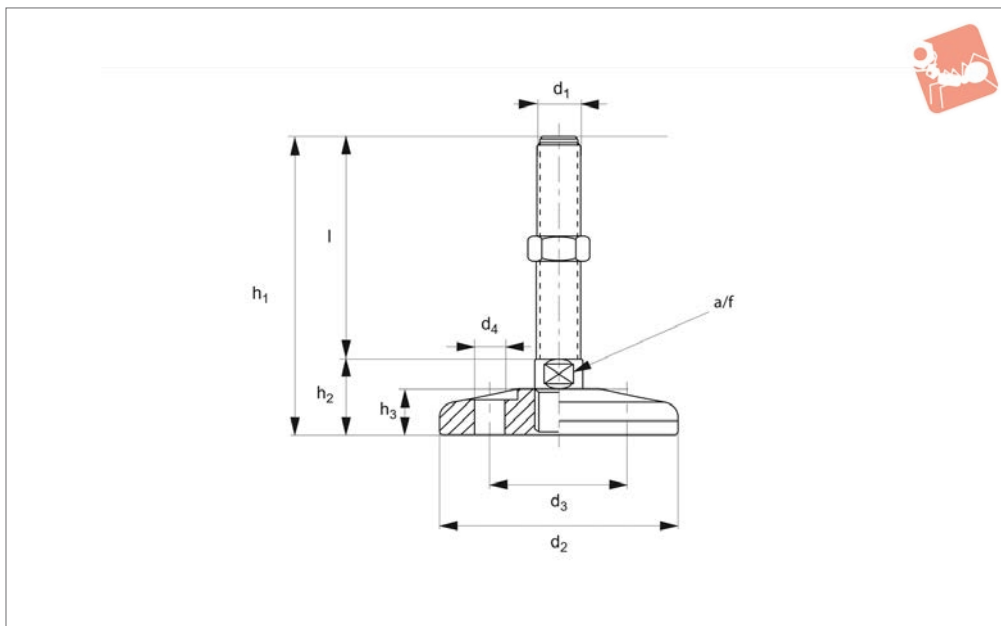




# Levelling Feet - Bolt Down

stainless steel, heavy duty

## Levelling Feet



### 34718

LEVELLING FEET

#### Material

Stainless steel (AISI 304).  
Stainless steel (AISI 316) version available on request.

#### Technical Notes

Load values refer to static loads, located at half the screw height.  
When vibrations or dynamic loads are

present these values should be reduced.

Order No.	d <sub>1</sub>	d <sub>2</sub>	d <sub>3</sub>	d <sub>4</sub>	l	h <sub>1</sub>	h <sub>2</sub>	h <sub>3</sub>	A/F	Load kN max.
34718.W1600	M16	100	74	12.5	100	133	33	20	20	35
34718.W1601	M16	100	74	12.5	150	183	33	20	20	35
34718.W1602	M16	100	74	12.5	200	233	33	20	20	35
34718.W2000	M20	100	74	12.5	100	133	33	20	20	40
34718.W2001	M20	100	74	12.5	150	183	33	20	20	40
34718.W2002	M20	100	74	12.5	200	233	33	20	20	40
34718.W2003	M20	100	74	12.5	250	283	33	20	20	40
34718.W2400	M24	100	74	12.5	100	134	34	20	20	45
34718.W2401	M24	100	74	12.5	150	184	34	20	20	45
34718.W2402	M24	100	74	12.5	200	234	34	20	20	45
34718.W2403	M24	100	74	12.5	250	284	34	20	20	45
34718.W2004	M20	120	74	12.5	100	135	35	22	20	45
34718.W2005	M20	120	74	12.5	150	185	35	22	20	45
34718.W2006	M20	120	74	12.5	200	235	35	22	20	45
34718.W2007	M20	120	74	12.5	250	285	35	22	20	45
34718.W2404	M24	120	74	12.5	100	136	36	22	20	50
34718.W2405	M24	120	74	12.5	150	186	36	22	20	50
34718.W2406	M24	120	74	12.5	200	231	36	22	20	50
34718.W2407	M24	120	74	12.5	250	281	36	22	20	50
34718.W3000	M30	120	74	12.5	100	136	36	22	26	60
34718.W3001	M30	120	74	12.5	150	186	36	22	26	60
34718.W3002	M30	120	74	12.5	200	236	36	22	26	60
34718.W3003	M30	120	74	12.5	250	286	36	22	26	60
34718.W2008	M20	159	74	12.5	100	136	36	23	20	50
34718.W2009	M20	159	74	12.5	150	186	36	23	20	50
34718.W2010	M20	159	74	12.5	200	236	36	23	20	50
34718.W2011	M20	159	74	12.5	250	286	36	23	20	50
34718.W2408	M24	159	74	12.5	100	137	37	23	20	60
34718.W2409	M24	159	74	12.5	150	187	37	23	20	60
34718.W2410	M24	159	74	12.5	200	237	37	23	20	60
34718.W2411	M24	159	74	12.5	250	287	37	23	20	60
34718.W3004	M30	159	74	12.5	100	137	37	23	26	70
34718.W3005	M30	159	74	12.5	150	187	37	23	26	70



Order No.	d <sub>1</sub>	d <sub>2</sub>	d <sub>3</sub>	d <sub>4</sub>	l	h <sub>1</sub>	h <sub>2</sub>	h <sub>3</sub>	A/F	Load kN max.
<b>34718.W3006</b>	M30	159	74	12.5	200	237	37	23	26	70
<b>34718.W3007</b>	M30	159	74	12.5	250	287	37	23	26	70

LEVELLING FEET