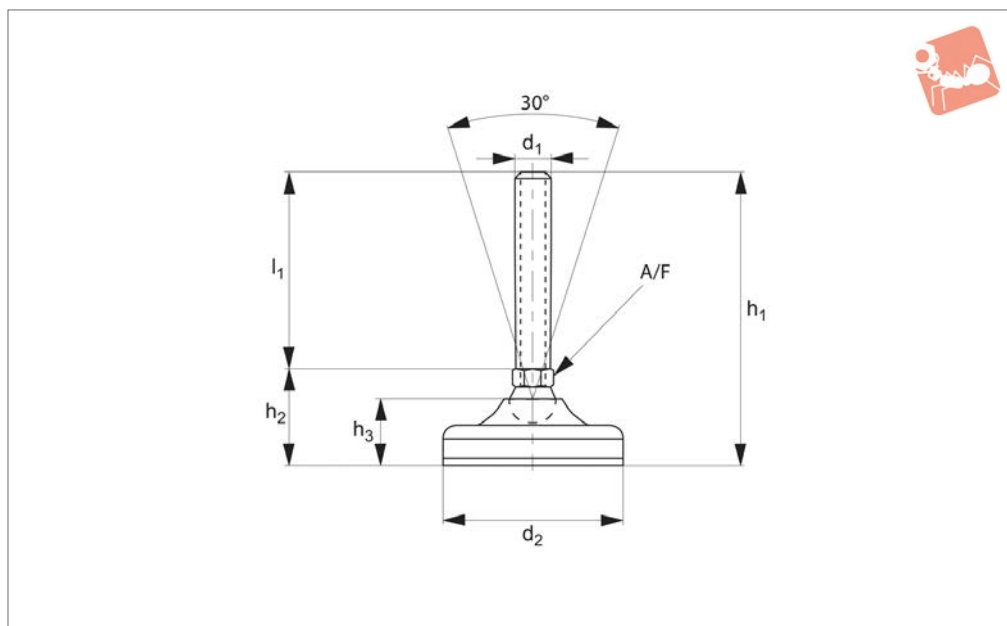




# Levelling Feet

plastic pad, bolt steel

# Levelling Feet



**34723**

LEVELLING FEET

### Material

Pad: polyamide reinforced by fibre glass with anti-slip pad.

Bolt: galvanized steel (C40)

### Technical Notes

Load values refer to static loads, located at half the screw height.

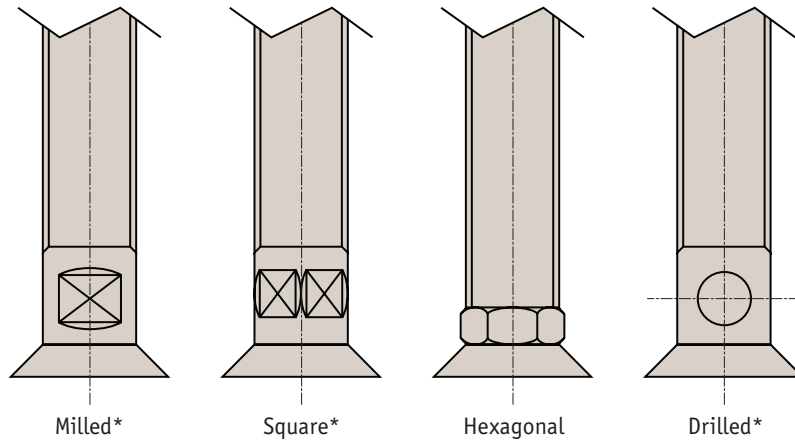
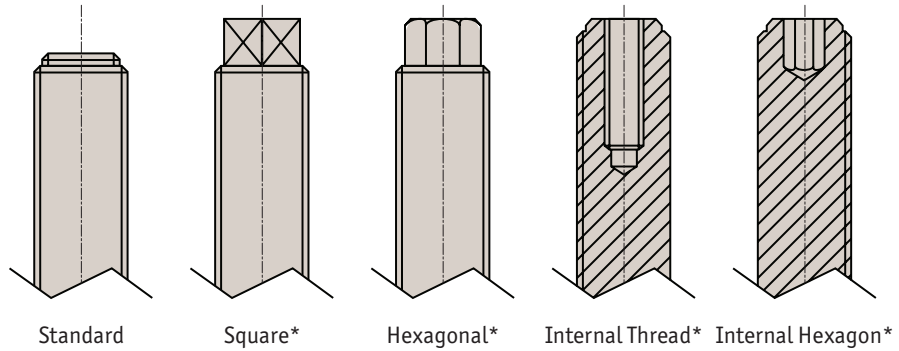
When vibrations or dynamic loads are

present these values should be reduced.

Order No.	d <sub>1</sub>	d <sub>2</sub>	h <sub>1</sub>	h <sub>2</sub>	h <sub>3</sub>	l <sub>1</sub>	A/F	Load kN max.
34723.W0801	M 8	40	55	30	19.5	25	12	10
34723.W0802	M 8	40	80	30	19.5	50	12	10
34723.W0803	M 8	40	105	30	19.5	75	12	10
34723.W0804	M 8	40	130	30	19.5	100	12	10
34723.W1000	M10	65	86	36	26.0	50	14	11
34723.W1001	M10	65	111	36	26.0	75	14	11
34723.W1002	M10	65	136	36	26.0	100	14	11
34723.W1003	M10	65	161	36	26.0	125	14	11
34723.W1200	M12	65	86	36	26.0	50	14	11
34723.W1201	M12	65	111	36	26.0	75	14	11
34723.W1202	M12	65	136	36	26.0	100	14	11
34723.W1203	M12	65	161	36	26.0	125	14	11
34723.W1400	M14	65	86	36	26.0	50	14	15
34723.W1401	M14	65	111	36	26.0	75	14	15
34723.W1402	M14	65	136	36	26.0	100	14	15
34723.W1403	M14	65	161	36	26.0	125	14	15
34723.W1404	M14	65	186	36	26.0	150	14	15
34723.W1405	M14	65	211	36	26.0	175	14	15
34723.W1600	M16	65	86	36	26.0	50	16	15
34723.W1601	M16	65	111	36	26.0	75	16	15
34723.W1602	M16	65	136	36	26.0	100	16	15
34723.W1603	M16	65	161	36	26.0	125	16	15
34723.W1604	M16	65	186	36	26.0	150	16@	15
34723.W1605	M16	65	211	36	26.0	175	16@	15
34723.W1606	M16	65	236	36	26.0	200	16@	15
34723.W2000	M20	65	115	40	26.0	75	17	15
34723.W2001	M20	65	140	40	26.0	100	17	15
34723.W2002	M20	65	165	40	26.0	125	17	15
34723.W2003	M20	65	190	40	26.0	150	17	15
34723.W2004	M20	65	215	40	26.0	175	17	15
34723.W2005	M20	65	240	40	26.0	200	17	15



All levelling feet can be produced with the following fixing types:



**Thread versions**

- Metric thread - coarse pitch (standard)
- Metric thread - fine pitch
- Thread gas 55°
- Imperial thread Unc
- Whitworth thread

\* For non-standard threads a minimum order will apply.