

34743

LEVELLING FEET

Material

Pad: polyamide reinforced by fibre glass with anti-slip pad.
Bolt: stainless steel AISI 304.

Technical Notes

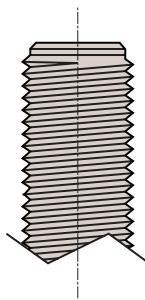
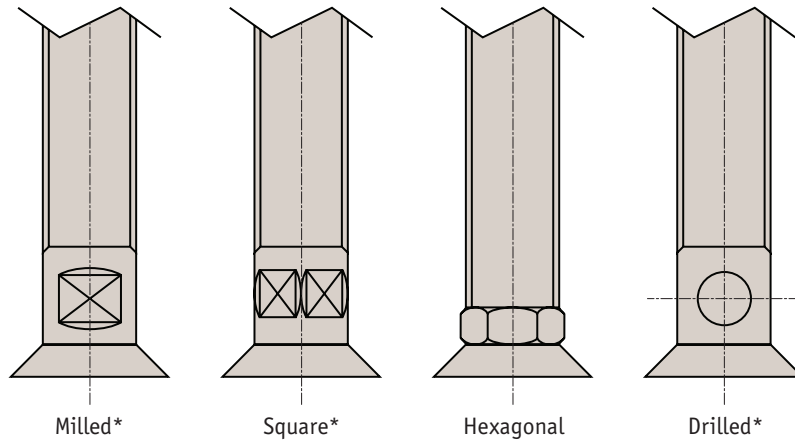
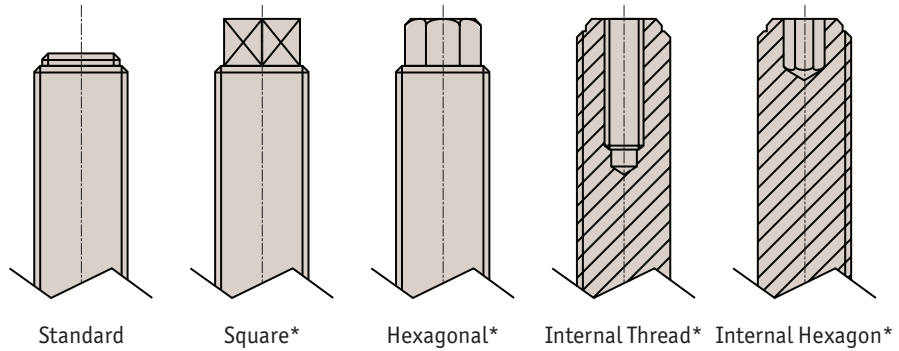
Load values refer to static loads, located at half the screw height.
When vibrations or dynamic loads are

present these values should be reduced.

Order No.	d ₁	d ₂	l	h ₁	h ₂	h ₃	A/F	Load kN max.
34743.W0800	M 8	40	25	55	30	19.5	12	10
34743.W0801	M 8	40	50	80	30	19.5	12	10
34743.W0802	M 8	40	75	105	30	19.5	12	10
34743.W0803	M 8	40	100	130	30	19.5	12	10
34743.W1001	M10	65	50	86	36	26.0	14	11
34743.W1002	M10	65	75	111	36	26.0	14	11
34743.W1003	M10	65	100	136	36	26.0	14	11
34743.W1004	M10	65	125	161	36	26.0	14	11
34743.W1200	M12	65	50	86	36	26.0	14	11
34743.W1201	M12	65	75	111	36	26.0	14	11
34743.W1202	M12	65	100	136	36	26.0	14	11
34743.W1203	M12	65	125	161	36	26.0	14	11
34743.W1400	M14	65	50	86	36	26.0	14	15
34743.W1401	M14	65	75	111	36	26.0	14	15
34743.W1402	M14	65	100	136	36	26.0	14	15
34743.W1403	M14	65	125	161	36	26.0	14	15
34743.W1404	M14	65	150	186	36	26.0	14	15
34743.W1405	M14	65	175	211	36	26.0	14	15
34743.W1600	M16	65	50	90	40	26.0	13	15
34743.W1601	M16	65	75	115	40	26.0	13	15
34743.W1602	M16	65	100	140	40	26.0	13	15
34743.W1603	M16	65	125	165	40	26.0	13	15
34743.W1604	M16	65	150	190	40	26.0	13	15
34743.W1605	M16	65	175	215	40	26.0	13	15
34743.W1606	M16	65	200	240	40	26.0	13	15
34743.W2000	M20	65	50	90	40	26.0	17	15
34743.W2001	M20	65	75	115	40	26.0	17	15
34743.W2002	M20	65	100	140	40	26.0	17	15
34743.W2003	M20	65	125	165	40	26.0	17	15
34743.W2004	M20	65	150	190	40	26.0	17	15
34743.W2005	M20	65	175	215	40	26.0	17	15
34743.W2006	M20	65	200	240	40	26.0	17	15



All levelling feet can be produced with the following fixing types:



Thread versions

- Metric thread - coarse pitch (standard)
- Metric thread - fine pitch
- Thread gas 55°
- Imperial thread Unc
- Whitworth thread

* For non-standard threads a minimum order will apply.

Levelling Feet from Automation Components

LEVELLING FEET