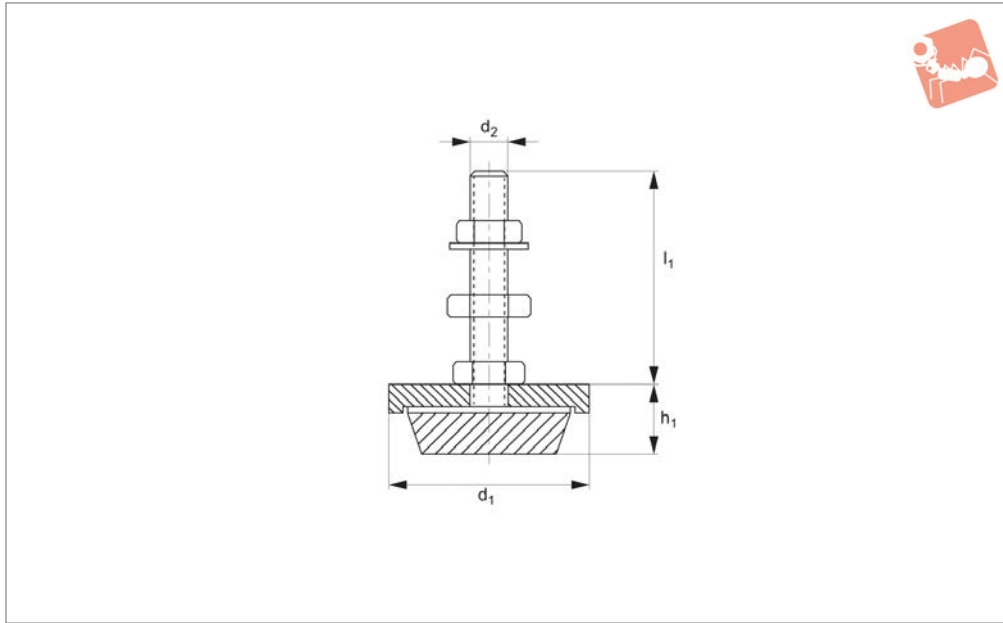




# Stainless Machine Mounts

polyurethane base

## Machine Mounts



### 34990

MACHINE MOUNTS

#### Material

Stainless steel body and thread (A2, AISI 304), with hard polyurethane base (80 Shore A).

applications. The hard polyurethane base is resistant to aggressive oils and chemicals.

#### Technical Notes

Ideally suited for food and pharmaceutical

#### Tips

The polyurethane base 80 Shore A also ensures very heavy load carrying capacity.

Order No.	d <sub>1</sub>	h <sub>1</sub>	d <sub>2</sub>	l <sub>1</sub>	Load range kgf
34990.W0120	120	33	M16	110	2000-4000