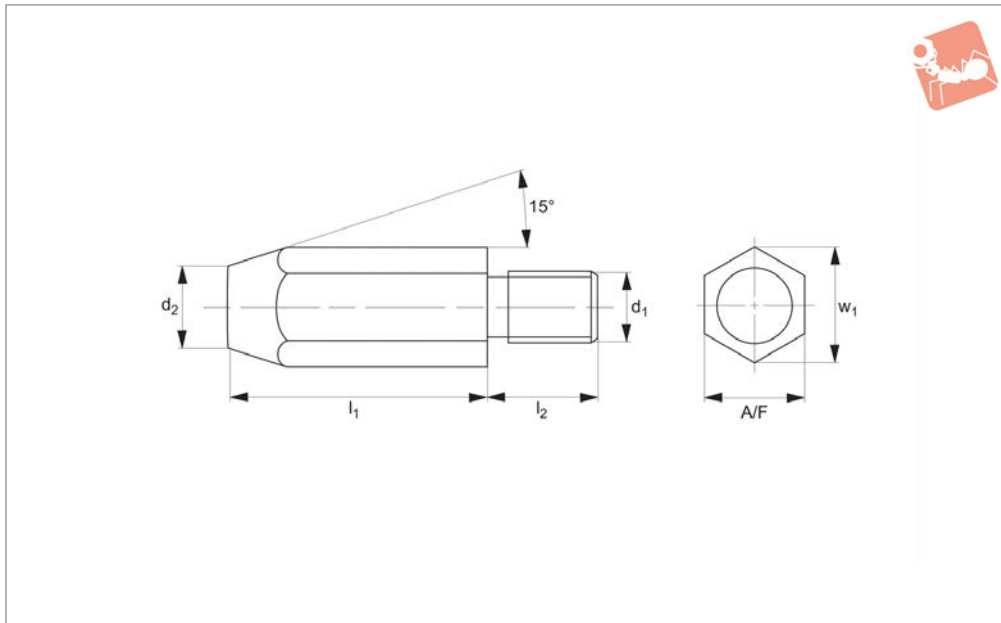




Locating Feet threaded shank

Locating Pins



36000

LOCATING PINS

Material

Heat-treated steel (DIN 6320), blackened, turned, unhardened.

Technical Notes

Bearing surface without centre.
Locating pins nos. 36220 and 36300 can

also be used as feet.

Order No.	d ₁	l ₁	d ₂	l ₂	w ₁	A/F	Torque to Nm max.	Weight g
36000.W0061	M 6	10	8	11	11.5	10	7	8
36000.W0062	M 6	20	6	11	11.5	10	7	13
36000.W0081	M 8	15	10	13	15.0	13	7	19
36000.W0082	M 8	30	9	13	15.0	13	18	35
36000.W0101	M10	20	13	16	19.6	17	32	41
36000.W0102	M10	40	13	16	19.6	17	32	81
36000.W0121	M12	25	15	20	21.9	19	60	70
36000.W0122	M12	50	15	20	21.9	19	60	129

