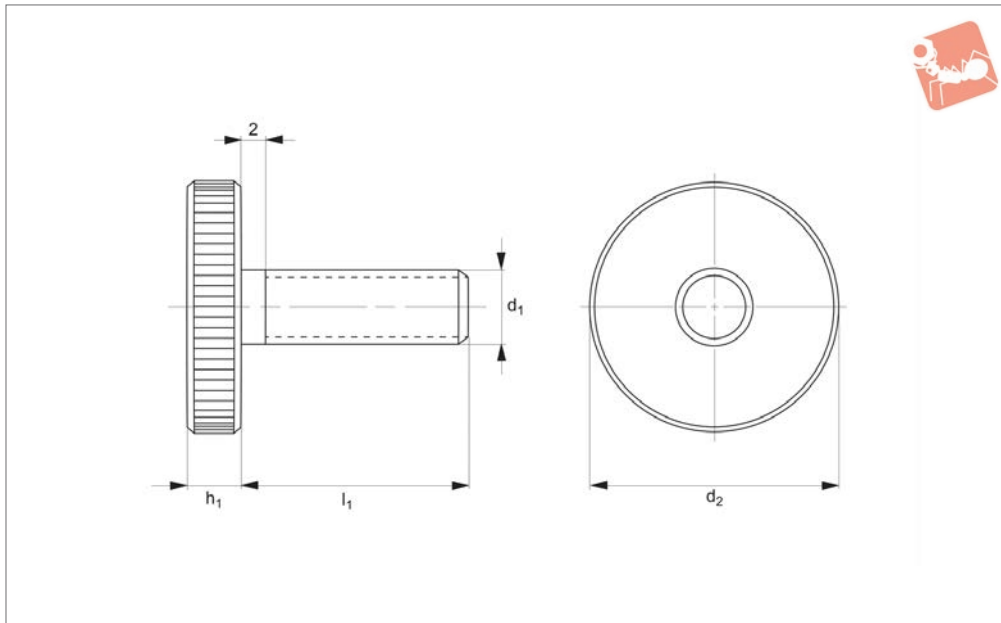




Flat Knurled Thumb Screws

stainless steel

Thumb Screws



37040

THUMB SCREWS

Material

Stainless steel 1.4305 (AISI 303).

tured with thread up to the head (DIN-designation ,A').

Technical Notes

All knurled screws are one-piece manufac-

Order No.	d ₁	d ₂	h ₁	l ₁	Weight g
37040.W0092	M 4	16	3.5	8	5.6
37040.W0093	M 4	16	3.5	10	5.7
37040.W0094	M 4	16	3.5	12	6.1
37040.W0096	M 4	16	3.5	16	6.2
37040.W0112	M 5	20	4.0	10	10.0
37040.W0113	M 5	20	4.0	12	11.0
37040.W0115	M 5	20	4.0	16	12.0
37040.W0117	M 5	20	4.0	20	12.0
37040.W0132	M 6	24	5.0	12	18.0
37040.W0134	M 6	24	5.0	16	20.0
37040.W0136	M 6	24	5.0	20	20.0
37040.W0138	M 6	24	5.0	25	20.0
37040.W0152	M 8	30	6.0	16	36.0
37040.W0154	M 8	30	6.0	20	37.0
37040.W0156	M 8	30	6.0	25	39.0
37040.W0158	M 8	30	6.0	30	41.0
37040.W0172	M10	36	8.0	20	71.0
37040.W0174	M10	36	8.0	25	72.0
37040.W0176	M10	36	8.0	30	76.0
37040.W0180	M10	36	8.0	40	80.0