

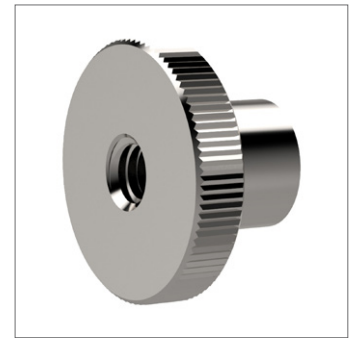
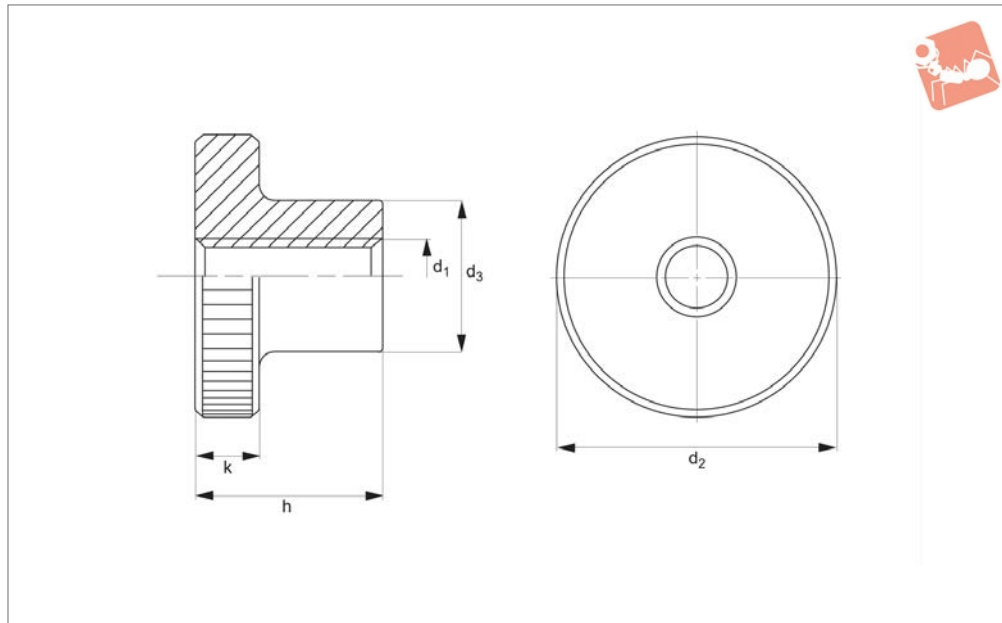


Knurled Nuts

with collar, stainless steel - DIN 466



Thumb Screws



37110

THUMB SCREWS

Material

Stainless steel 1.4305 (AISI 303), matte, shot-blasted.

Order No.	d ₁	d ₂	d ₃	h	k	Weight g
37110.W0002	M2,5	11	5	6.5	2.5	3.5
37110.W0003	M 3	12	6	7.5	2.5	3.5
37110.W0004	M 4	16	8	9.5	3.5	6.7
37110.W0005	M 5	20	10	11.5	4.0	12.0
37110.W0006	M 6	24	12	15.0	5.0	23.0
37110.W0008	M 8	30	16	18.0	6.0	44.0
37110.W0010	M10	36	20	23.0	8.0	85.0