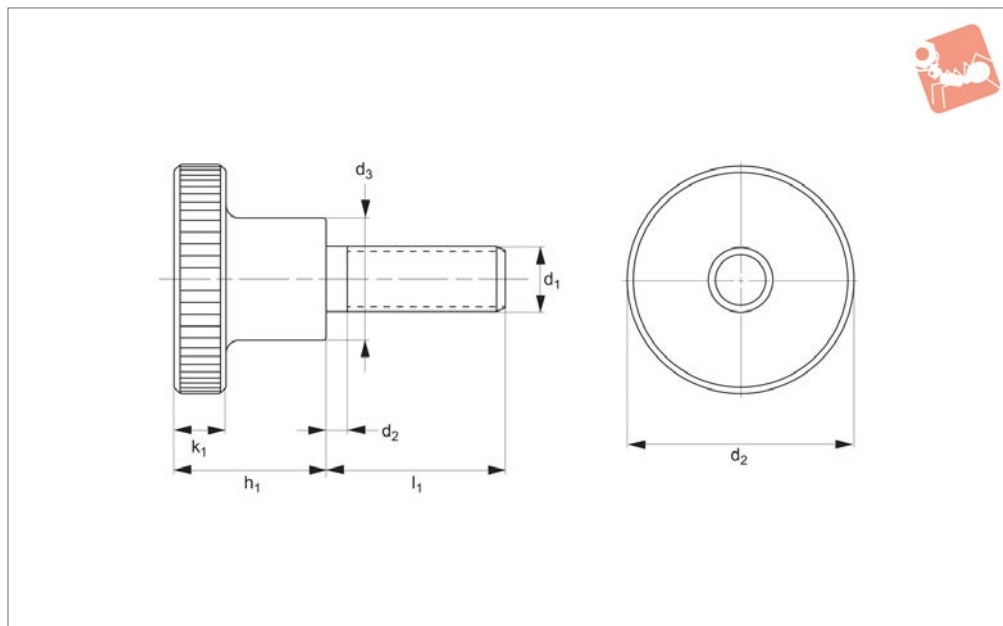




Knurled Thumb Screws

stainless steel - DIN 464

Thumb Screws



37150

THUMB SCREWS

Material

Stainless steel 1.4305 (AISI 303), matte, shot-blasted.

Conary to the Official Standard Sheet, they all have a thread up to the head, as shown, but no recess at the thread end.

Technical Notes

All knurled screws are one-piece manufac-

Order No.	d ₁	d ₂	d ₃	h ₁	k ₁	l ₁	Weight g
37150.W0031	M 3	12	6	7.5	2.5	6	3.7
37150.W0032	M 3	12	6	7.5	2.5	10	3.8
37150.W0033	M 3	12	6	7.5	2.5	12	4.0
37150.W0034	M 3	12	6	7.5	2.5	16	4.0
37150.W0041	M 4	16	8	9.5	3.5	8	7.9
37150.W0042	M 4	16	8	9.5	3.5	10	8.1
37150.W0043	M 4	16	8	9.5	3.5	12	8.3
37150.W0044	M 4	16	8	9.5	3.5	16	8.4
37150.W0045	M 4	16	8	9.5	3.5	20	9.1
37150.W0046	M 4	16	8	9.5	3.5	25	9.0
37150.W0051	M 5	20	10	11.5	4.0	10	15.0
37150.W0052	M 5	20	10	11.5	4.0	12	15.0
37150.W0053	M 5	20	10	11.5	4.0	16	16.0
37150.W0054	M 5	20	10	11.5	4.0	20	16.0
37150.W0055	M 5	20	10	11.5	4.0	25	17.0
37150.W0058	M 5	20	10	11.5	4.0	30	17.0
37150.W0061	M 6	24	12	15.0	5.0	12	28.0
37150.W0062	M 6	24	12	15.0	5.0	16	28.0
37150.W0063	M 6	24	12	15.0	5.0	20	29.0
37150.W0064	M 6	24	12	15.0	5.0	25	30.0
37150.W0065	M 6	24	12	15.0	5.0	30	31.0
37150.W0068	M 6	24	12	15.0	5.0	35	31.0
37150.W0081	M 8	30	16	18.0	6.0	16	55.0
37150.W0082	M 8	30	16	18.0	6.0	20	56.0
37150.W0083	M 8	30	16	18.0	6.0	25	58.0
37150.W0084	M 8	30	16	18.0	6.0	30	60.0
37150.W0086	M 8	30	16	18.0	6.0	35	50.0