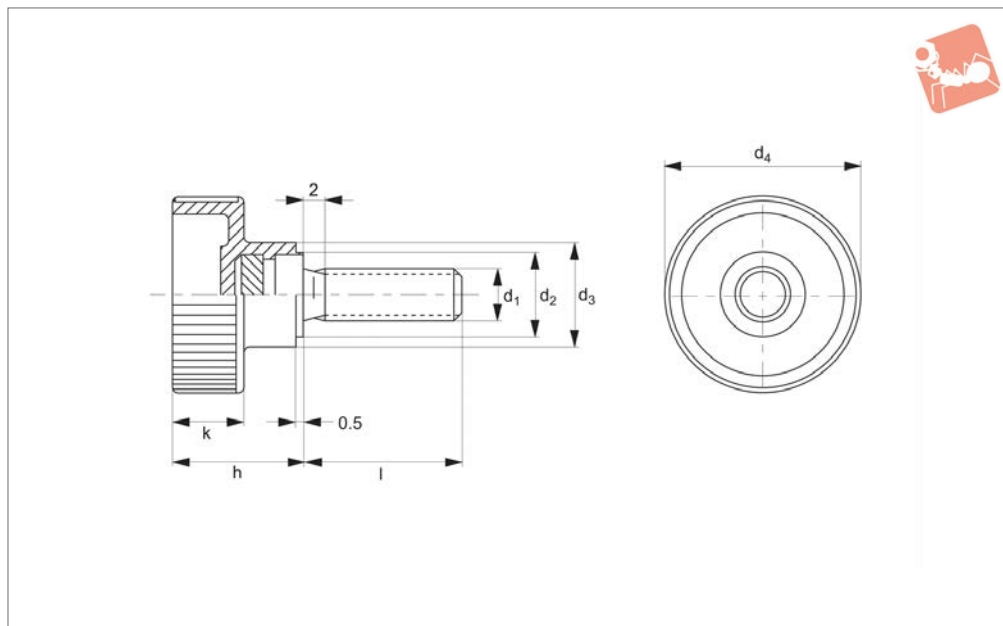




# Knurled Thumb Screws

plastic - steel grub screw

## Thumb Screws



**37352**

THUMB SCREWS

### Material

Handle: thermoplastic PA, black.  
Screw: steel, galvanised

### Technical Notes

Temperature range from -30°C up to +80°C.

Order No.	d <sub>1</sub>	d <sub>2</sub>	d <sub>3</sub>	d <sub>4</sub>	h	k	l	Weight g
37352.W0030	M 4	9	12	19	14.0	8.0	10	4.0
37352.W0032	M 4	9	12	19	14.0	8.0	15	6.0
37352.W0034	M 4	9	12	19	14.0	8.0	20	7.0
37352.W0036	M 4	9	12	19	14.0	8.0	30	7.0
37352.W0042	M 5	9	12	19	14.0	8.0	10	6.0
37352.W0043	M 5	9	12	19	14.0	8.0	15	5.0
37352.W0045	M 5	9	12	19	14.0	8.0	20	7.0
37352.W0046	M 5	9	12	19	14.0	8.0	25	8.0
37352.W0050	M 6	12	14	24	16.5	9.5	10	7.0
37352.W0053	M 6	12	14	24	16.5	9.5	16	8.0
37352.W0054	M 6	12	14	24	16.5	9.5	20	12.0
37352.W0055	M 6	12	14	24	16.5	9.5	25	9.0
37352.W0057	M 6	12	14	24	16.5	9.5	30	13.0
37352.W0060	M 8	14	16	30	19.5	11.0	16	14.0
37352.W0062	M 8	14	16	30	19.5	11.0	20	16.0
37352.W0064	M 8	14	16	30	19.5	11.0	25	17.0
37352.W0065	M 8	14	16	30	19.5	11.0	30	23.0
37352.W0067	M 8	14	16	30	19.5	11.0	40	20.0
37352.W0070	M10	16	18	36	22.5	12.5	20	30.0
37352.W0072	M10	16	18	36	22.5	12.5	25	31.0
37352.W0074	M10	16	18	36	22.5	12.5	30	33.0
37352.W0076	M10	16	18	36	22.5	12.5	40	38.0