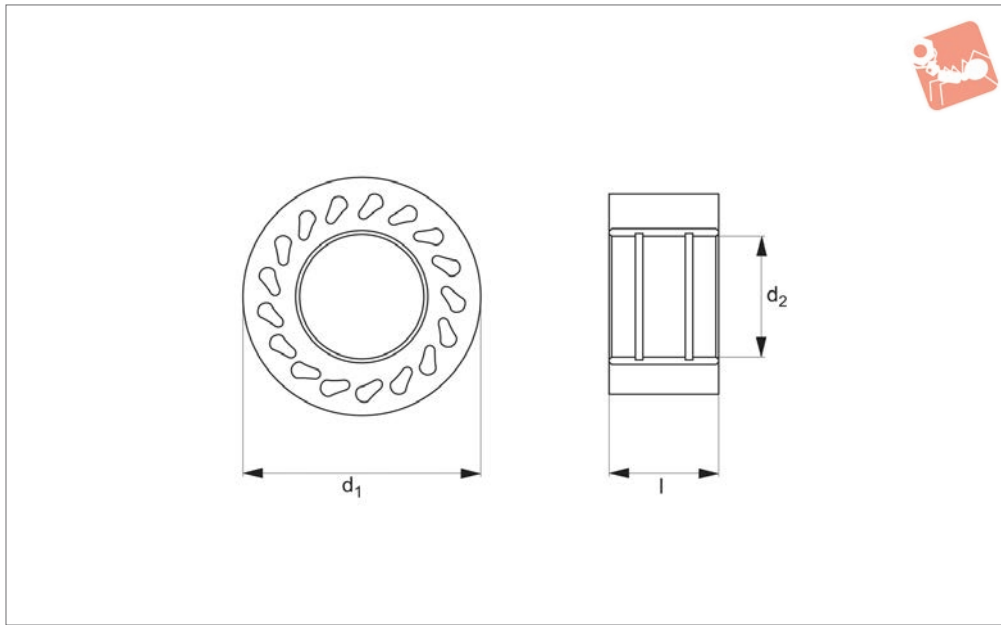




Durasoft Roller

roller only

Rollers & Bumpers



60640

ROLLERS & BUMPERS

Material

Urethane bonded to a steel insert. Hardness from 35-95 durometer (Shore A).

Technical Notes

Roller only - allows for custom mounting.

Tips

Durasoft rollers have „teardrop“ holes to allow the roller to flex for firm but non-damaging contact.

Order No.	Durometer	d ₁	l	d ₂ min. max.
60640.W1003	35	63,5 (2,5")	23.37	28,58/28,65
60640.W1006	60	63,5 (2,5")	23.37	28,58/28,65
60640.W1008	80	63,5 (2,5")	23.37	28,58/28,65
60640.W1009	95	63,5 (2,5")	23.37	28,58/28,68
60640.W1013	35	63,5 (2,5")	49.28	31,80/31,90
60640.W1016	60	63,5 (2,5")	49.28	31,80/31,90
60640.W1018	80	63,5 (2,5")	49.28	31,80/31,90
60640.W1019	95	63,5 (2,5")	49.28	31,80/31,90
60640.W1023	35	101,6 (4")	23.37	31,80/31,90
60640.W1026	60	101,6 (4")	23.37	31,80/31,90
60640.W1028	80	101,6 (4")	23.37	31,80/31,90
60640.W1029	95	101,6 (4")	23.37	31,80/31,90
60640.W1033	35	101,6 (4")	49.28	31,80/31,90
60640.W1036	60	101,6 (4")	49.28	31,80/31,90
60640.W1038	80	101,6 (4")	49.28	31,80/31,90
60640.W1039	95	101,6 (4")	49.28	31,80/31,90