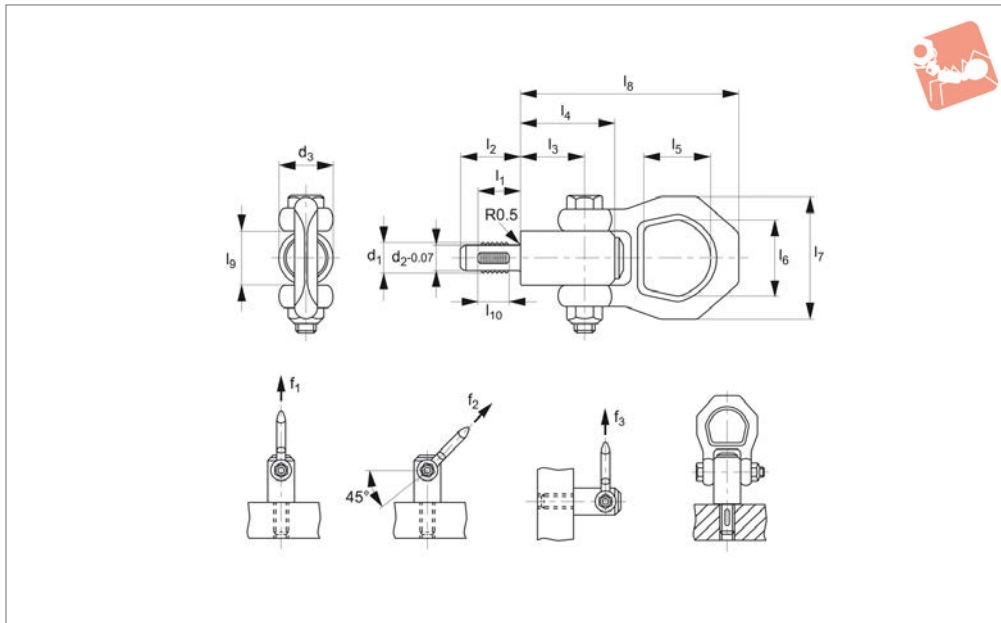




Quick Lift Pins - Threaded

metric coarse threads

Lifting Points & Shackles



63001

LIFTING POINTS & SHACKLES

Material

Steel

Pin: Heat-treated steel, tempered, manganese phosphated.
 Threaded element: Stainless steel 1.4542, (AISI 630) precipitation hardened.
 Shackle: Steel, heat-treated, tempered, manganese phosphated.
 Press button: Aluminium, orange anodised.
 Spring: Stainless Steel.

Stainless steel

Pin: Stainless steel 1.4542, (AISI 630)

precipitation hardened.

Threaded element: Stainless steel 1.4542, (AISI 630) precipitation hardened.
 Shackle: Stainless steel 1.45471.
 Press button: Aluminium, orange anodised.
 Spring: Stainless Steel.

Technical Notes

Both types are corrosion protected, stainless steel pin is resistant to corrosion and weathering, so suitable for external use.
 Included: Instruction manual and CE Declaration of Conformity.

Depress button: unlock.
 Release button: lock.

Tips

Before use: Read instruction manual, data sheets and follow standard safe lifting procedures.

Important Notes

f_1^* , f_2^* , and f_3^* values calculated on 5 x safety factor.

Order No.	Type	d ₁	l ₁	d ₂ -0.07	d ₃	l ₂	l ₃	l ₄	l ₅	Weight g
63001.W0010	Steel	M10	14	8.35	21.5	20	25.7	36	27	218
63001.W0012	Steel	M12	17	10.07	21.5	24	25.7	36	27	220
63001.W0016	Steel	M16	17	13.80	21.5	24	25.7	36	27	223
63001.W1010	Stainless	M10	14	8.35	21.5	20	25.7	36	27	218
63001.W1012	Stainless	M12	17	10.07	21.5	24	25.7	36	27	220
63001.W1016	Stainless	M16	17	13.80	21.5	24	25.7	36	27	223

Order No.	l ₆	l ₇	l ₈	l ₉	l ₁₀	F ₁ kN	F ₂ kN	F ₃ kN
63001.W0010	30	49	87.5	21.5	10	3.9	1.5	1.5
63001.W0012	30	49	87.5	21.5	12	6.2	2.5	2.3
63001.W0016	30	49	87.5	21.5	12	8.4	4.5	4.2
63001.W1010	30	49	87.5	21.5	10	3.9	1.5	1.5
63001.W1012	30	49	87.5	21.5	12	6.2	2.5	2.3
63001.W1016	30	49	87.5	21.5	12	8.4	4.5	4.2