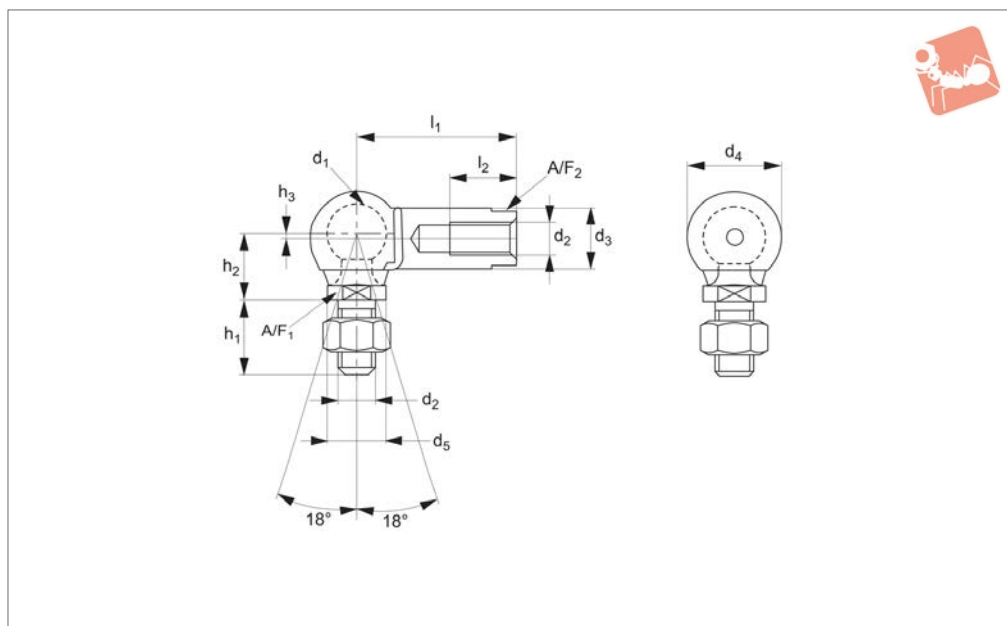




Ball and Socket Joint with flats on housing

Ball and Socket Joints



65508

BALL AND SOCKET JOINTS

Material

Stud: carbon steel, sealing cap: neoprene.
Housing: steel (9sMnPb28), silver zinc plated.

Technical Notes

To DIN 71802 form CS, supplied without hexagon nut.

Safety ring aids the retention of the ball stud in the housing.

*M14x1,5 is a fine pitch thread.

Tips

Standard thread is right hand, (for left hand thread see 65510).

Important Notes

Thread is not full length. There is a min 1.5mm unthreaded shank. If using part without a nut, then please consider a counterbore to accommodate the unthreaded shank.

Order No.	Thread hand	d ₁	l ₁ ±0.3	d ₂	d ₃ ±0.5	d ₄ ±0.5	d ₅ ±0.5	Weight g
65508.W0105	Right	8	22	M 5	8	12.8	8	15.2
65508.W0106	Right	10	25	M 6	10	14.8	10	25.2
65508.W0108	Right	13	30	M 8	13	19.3	13	53.1
65508.W0110	Right	16	35	M10	16	24.0	16	103.8
65508.W0112	Right	16	35	M12	16	24.0	16	103.8
65508.W0114	Right	19	45	M14x1,5*	22	30.0	22	220.9
65508.W0115	Right	19	45	M14	22	30.0	22	220.9
65508.W0116	Right	19	45	M16	22	30.0	22	220.9

Order No.	h ₁ ±0.3	h ₂ ±0.3	h ₃	l ₂ min.	A/F ₁	A/F ₂	Extraction force kg min.	Static load kg max.	Dyn. load C kg max.	Force required for movement kg max.
65508.W0105	10.0	9	0.65	10.2	7	-	3	50	20	3
65508.W0106	12.5	11	0.70	11.5	8	-	4	100	40	4
65508.W0108	16.5	13	1.15	14.0	11	-	6	200	80	6
65508.W0110	20.0	16	1.15	15.5	13	-	8	400	160	8
65508.W0112	20.0	16	1.15	15.5	13	-	8	400	160	8
65508.W0114	28.0	20	0.50	21.5	16	19	10	800	320	10
65508.W0115	28.0	20	0.50	21.5	16	19	10	800	320	10
65508.W0116	28.0	20	0.50	21.5	16	19	10	800	320	10