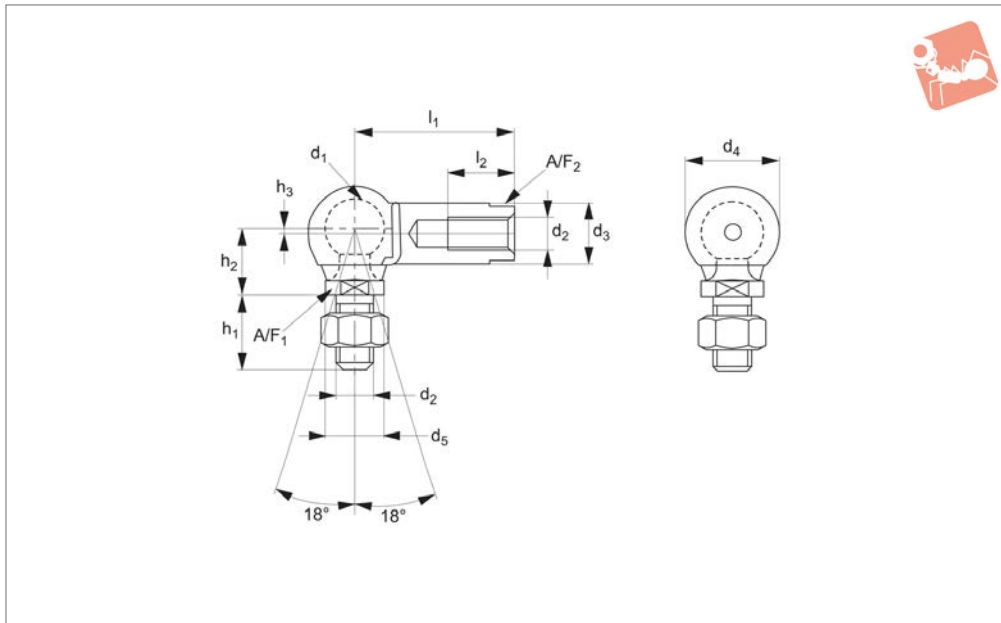




Stainless Ball and Socket Joint with flats on housing

Ball and Socket Joints



65512

BALL AND SOCKET JOINTS

Material

Stainless steel (A2, AISI 303), sealing cap: neoprene.

Technical Notes

To DIN 71802 form CS, supplied with hexagon nut.

Safety ring aids the retention of the ball

stud in the housing.

*M14x1,5 is a fine pitch thread.

Tips

Standard thread is right hand, (for left hand thread see 65514).

Important Notes

Thread is not full length. There is a min 1.5mm unthreaded shank. If using part without the supplied nut, then please consider a counterbore to accommodate the unthreaded shank.

Order No.	Thread hand	d ₁	l ₁ ±0.3	d ₂	d ₃ ±0.5	d ₄ ±0.5	d ₅ ±0.5	h ₁ ±0.3	h ₂ ±0.3	h ₃	Weight g
65512.W0105	Right	8	22	M5	8	12.8	8	10.0	9	0.65	15.2
65512.W0106	Right	10	25	M6	10	14.8	10	12.5	11	0.70	25.2
65512.W0108	Right	13	30	M8	13	19.3	13	16.5	13	1.15	53.1
65512.W0110	Right	16	35	M10	16	24.0	16	20.0	16	1.15	103.8
65512.W0112	Right	16	35	M12	16	24.0	16	20.0	16	1.15	103.8
65512.W0114	Right	19	45	M14x1,5*	22	30.0	22	28.0	20	0.50	220.9
65512.W0115	Right	19	45	M14	22	30.0	22	28.0	20	0.50	220.9
65512.W0116	Right	19	45	M16	22	30.0	22	28.0	20	0.50	220.9

Order No.	l ₂ min.	A/F ₁	A/F ₂	Extraction force kg min.	Static load kg max.	Dyn. load C kg max.	Force required for movement kg max.
65512.W0105	10.2	7	-	3	50	20	3
65512.W0106	11.5	8	-	4	100	40	4
65512.W0108	14.0	11	-	6	200	80	6
65512.W0110	15.5	13	-	8	400	160	8
65512.W0112	15.5	13	-	8	400	160	8
65512.W0114	21.5	16	19	10	800	320	10
65512.W0115	21.5	16	19	10	800	320	10
65512.W0116	21.5	16	19	10	800	320	10