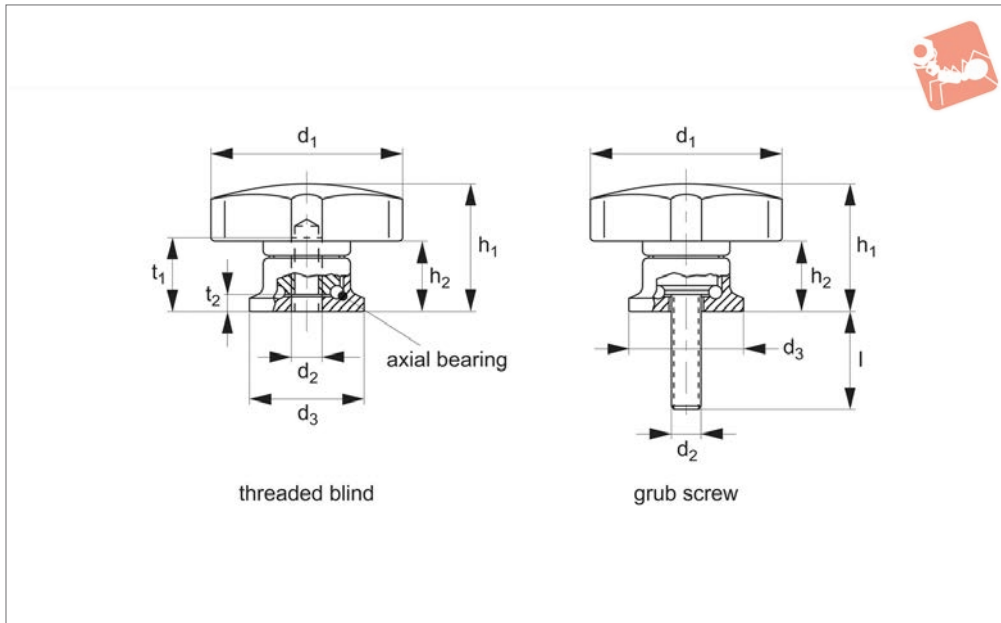




Palm Grips with axial bearing

Clamping Levers



70550

CLAMPING LEVERS

Material

Grip: thermoplast (PA).
Inner part: heat-treated steel, nitrided black.
Screw: quality 8.8, blackened.

Technical Notes

Advantages of axial bearing:
- Double clamping force with same lever size, by reducing the surface friction.
- Protection of work piece by fixed locating

face.

- Little setting due to higher pre-clamping force of bolt.
Temperature resistance +80°C max.

Order No.	Finish	d ₁	d ₂	d ₃	h ₁ ≈	h ₂ ≈	l +2	t ₁ min.	t ₂	Weight g
70550.W0040	Threaded, Blind	40	M 6	24	27	15.0	-	12.5	5.0	45
70550.W0050	Threaded, Blind	50	M 8	25	34	22.5	-	14.0	4.2	68
70550.W0063	Threaded, Blind	63	M10	30	41	26.5	-	18.0	5.4	111
70550.W0080	Threaded, Blind	80	M12	35	54	34.0	-	26.5	6.6	218
70550.W0042	Grub Screw	40	M 6	24	27	15.0	15	-	-	50
70550.W0044	Grub Screw	40	M 6	24	27	15.0	25	-	-	52
70550.W0053	Grub Screw	50	M 8	25	34	22.5	20	-	-	81
70550.W0056	Grub Screw	50	M 8	25	34	22.5	35	-	-	86
70550.W0066	Grub Screw	63	M10	30	41	26.5	30	-	-	137
70550.W0068	Grub Screw	63	M10	30	41	26.5	40	-	-	142
70550.W0083	Grub Screw	80	M12	35	54	34.0	30	-	-	258
70550.W0087	Grub Screw	80	M12	35	54	34.0	50	-	-	276

