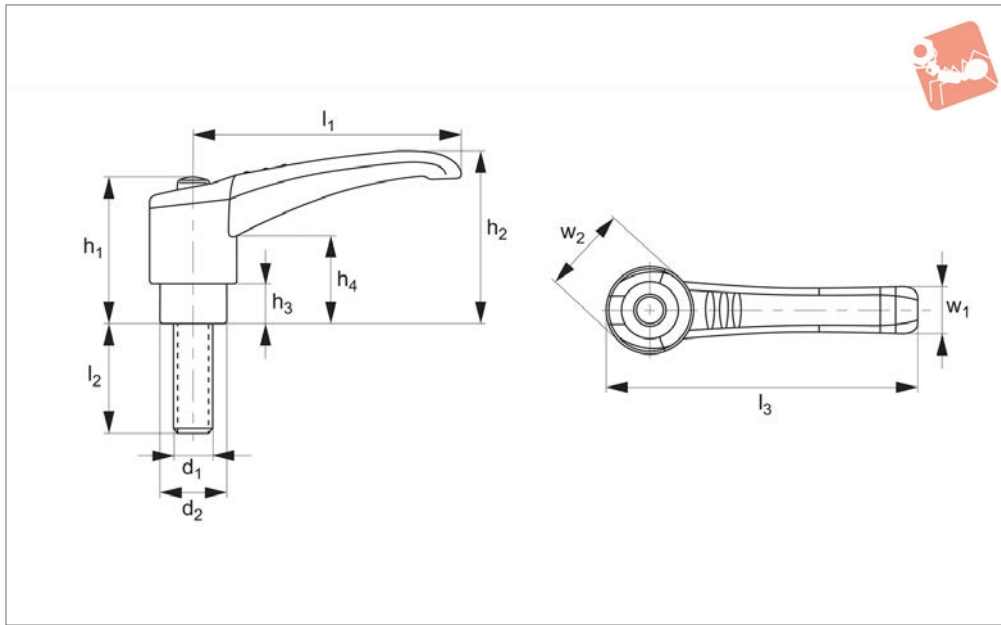




Adjustable Clamping Levers with grub screw

Clamping Levers



74780

CLAMPING LEVERS

Material

Black, matt thermoplast, reinforced.
Insert, zinc plated steel.

Button: black.

subject to minimum quantities.

Important Notes

Other button colours available on request

Order No.	l_1	d_1	l_2	d_2	h_1	h_2	h_3	h_4	l_3	w_1	w_2	Weight g
74780.W0452	45	M 5	20	12	29	33.5	7.5	18	53	10.5	16	19
74780.W0453	45	M 5	30	12	29	33.5	7.5	18	53	10.5	16	20
74780.W0455	45	M 6	20	12	29	33.5	7.5	18	53	10.5	16	20
74780.W0651	65	M 6	20	15	34	41.0	7.5	19	75	13.5	20	30
74780.W0652	65	M 6	40	15	34	41.0	7.5	19	75	13.5	20	33
74780.W0653	65	M 8	20	15	34	41.0	7.5	19	75	13.5	20	35
74780.W0654	65	M 8	30	15	34	41.0	7.5	19	75	13.5	20	38
74780.W0655	65	M 8	40	15	34	41.0	7.5	19	75	13.5	20	44
74780.W0801	80	M 8	30	20	44	53.0	12.0	26	92	16.5	24	61
74780.W0802	80	M 8	40	20	44	53.0	12.0	26	92	16.5	24	78
74780.W0803	80	M 8	50	20	44	53.0	12.0	26	92	16.5	24	81
74780.W0804	80	M10	20	20	44	53.0	12.0	26	92	16.5	24	74
74780.W0805	80	M10	40	20	44	53.0	12.0	26	92	16.5	24	85
74780.W0806	80	M10	50	20	44	53.0	12.0	26	92	16.5	24	89
74780.W0807	80	M12	40	20	44	53.0	12.0	26	92	16.5	24	101
74780.W0808	80	M12	50	20	44	53.0	12.0	26	92	16.5	24	108
74780.W0951	95	M12	50	21	50	61.0	13.0	30	108	19.0	27	139
74780.W0952	95	M12	70	21	50	61.0	13.0	30	108	19.0	27	154
74780.W0953	95	M14	40	21	50	61.0	13.0	30	108	19.0	27	150
74780.W0954	95	M14	50	21	50	61.0	13.0	30	108	19.0	27	166
74780.W0955	95	M16	50	21	50	61.0	13.0	30	108	19.0	27	193
74780.W0956	95	M16	60	21	50	61.0	13.0	30	108	19.0	27	220