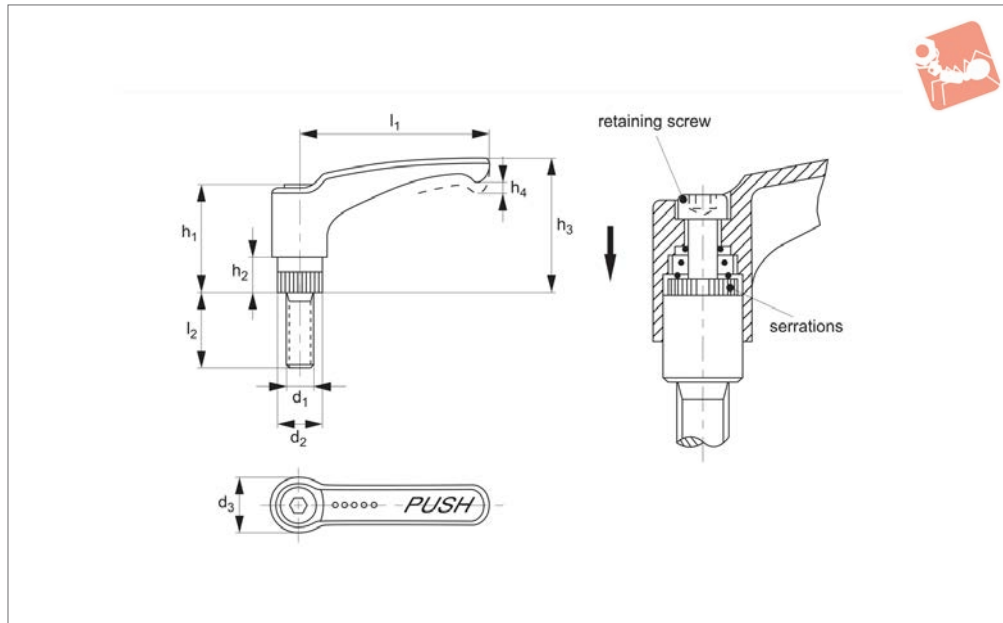




Free Running Safety Clamping Lever, free-running when not engaged

Clamping Levers



74880

CLAMPING LEVERS

Material

Plastic technopolymer (polyamide PA)
glass fibre reinforced, black.

Inner parts: steel, blackened embedded in
black plastic.

Tips

Unique Safety Handle.

**When not in use, the lever is not engaged
with threaded insert, i.e. the adjustable
lever turns freely.**

**As soon as the lever hub is pushed down,
both serrations will engage, allowing the
fixture to be released or clamped.**

After „releasing“, the lever disengages

through spring tension.

Important Notes

Used where accidental loosening or read-
justment can result in accidents.

Temperature resistant to +130°C.

Order No.	l_1	d_1	d_2	d_3	h_1	h_2	h_3	h_4 stroke	l_2	Weight g
74880.W0061	44	M 6	12	15.5	29	9	36	3.5	16	18
74880.W0062	44	M 6	12	15.5	29	9	36	3.5	25	21
74880.W0081	63	M 8	15	19.0	37	12	48	4.0	20	38
74880.W0082	63	M 8	15	19.0	37	12	48	4.0	30	43