

## 77300

HANDWHEELS

### Material

Aluminium mould casting. Plastic handle PF 31, DIN 7708.

Hub machined; rim turned and mirror-finished on all sides, non-machined surfaces cleanly blasted.

For corresponding handle details see no. 75120 rotating handle.

### Technical Notes

The non-machined, raw surfaces are blasted; together with the mirror-polished

rim these handwheels are therefore showing a finish which in most cases does not require additional lacquering.

**For keyways information (dim.  $t_1$  and  $b_3$ ) to DIN 6885.**

Order No.	Type	Bore dia.	$d_1$	$d_2$ tol. H7 Small	$d_2$ tol. H7 Large	$d_3$	$d_4$	$l_1$	$l_2$ $\approx$	$l_3$	$w_1$	Weight g
77300.W0012	W/o Keyway, W/o Handle	$d_2$ Small	125	12	14	31	-	18	33	15.0	-	301
77300.W0013	W/o Keyway, W/o Handle	$d_2$ Large	125	12	14	31	-	18	33	15.0	-	301
77300.W0014	W/o Keyway, W/o Handle	$d_2$ Small	140	14	16	36	-	19	36	16.5	-	400
77300.W0015	W/o Keyway, W/o Handle	$d_2$ Large	140	14	16	36	-	19	36	16.5	-	400
77300.W0016	W/o Keyway, W/o Handle	$d_2$ Small	160	14	16	36	-	20	39	18.0	-	520
77300.W0017	W/o Keyway, W/o Handle	$d_2$ Large	160	14	16	36	-	20	39	18.0	-	520
77300.W0020	W/o Keyway, W/o Handle	$d_2$ Small	200	18	20	42	-	24	45	20.5	-	886
77300.W0021	W/o Keyway, W/o Handle	$d_2$ Large	200	18	20	42	-	24	45	20.5	-	886
77300.W0025	W/o Keyway, W/o Handle	$d_2$ Small	250	22	26	48	-	28	51	23.0	-	1454
77300.W0026	W/o Keyway, W/o Handle	$d_2$ Large	250	22	26	48	-	28	51	23.0	-	1454
77300.W0112	With Keyway, W/o Handle	$d_2$ Small	125	12	14	31	-	18	33	15.0	-	303
77300.W0113	With Keyway, W/o Handle	$d_2$ Large	125	12	14	31	-	18	33	15.0	-	303
77300.W0114	With Keyway, W/o Handle	$d_2$ Small	140	14	16	36	-	19	36	16.5	-	406
77300.W0115	With Keyway, W/o Handle	$d_2$ Large	140	14	16	36	-	19	36	16.5	-	406
77300.W0116	With Keyway, W/o Handle	$d_2$ Small	160	14	16	36	-	20	39	18.0	-	542
77300.W0117	With Keyway, W/o Handle	$d_2$ Large	160	14	16	36	-	20	39	18.0	-	542
77300.W0120	With Keyway, W/o Handle	$d_2$ Small	200	18	20	42	-	24	45	20.5	-	914
77300.W0121	With Keyway, W/o Handle	$d_2$ Large	200	18	20	42	-	24	45	20.5	-	914
77300.W0125	With Keyway, W/o Handle	$d_2$ Small	250	22	26	48	-	28	51	23.0	-	1446
77300.W0126	With Keyway, W/o Handle	$d_2$ Large	250	22	26	48	-	28	51	23.0	-	1446
77300.W0512	W/o Keyway, With Handle	$d_2$ Small	125	12	14	31	M 8	18	33	15.0	23	390
77300.W0513	W/o Keyway, With Handle	$d_2$ Large	125	12	14	31	M 8	18	33	15.0	23	390
77300.W0514	W/o Keyway, With Handle	$d_2$ Small	140	14	16	36	M 8	19	36	16.5	23	490
77300.W0515	W/o Keyway, With Handle	$d_2$ Large	140	14	16	36	M 8	19	36	16.5	23	490
77300.W0516	W/o Keyway, With Handle	$d_2$ Small	160	14	16	36	M10	20	39	18.0	26	645
77300.W0517	W/o Keyway, With Handle	$d_2$ Large	160	14	16	36	M10	20	39	18.0	26	645
77300.W0520	W/o Keyway, With Handle	$d_2$ Small	200	18	20	42	M10	24	45	20.5	26	1000
77300.W0521	W/o Keyway, With Handle	$d_2$ Large	200	18	20	42	M10	24	45	20.5	26	1000
77300.W0525	W/o Keyway, With Handle	$d_2$ Small	250	22	26	48	M10	28	51	23.0	28	1585
77300.W0526	W/o Keyway, With Handle	$d_2$ Large	250	22	26	48	M10	28	51	23.0	28	1585
77300.W0612	With Keyway, With Handle	$d_2$ Small	125	12	14	31	M 8	18	33	15.0	23	390
77300.W0613	With Keyway, With Handle	$d_2$ Large	125	12	14	31	M 8	18	33	15.0	23	390



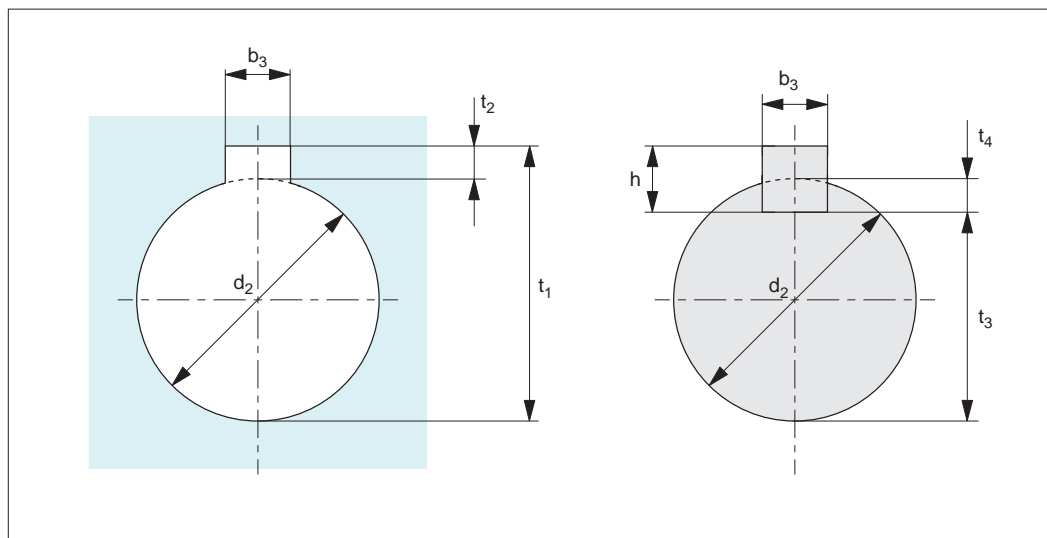
Order No.	Type	Bore dia.	d <sub>1</sub>	d <sub>2</sub>		d <sub>3</sub>	d <sub>4</sub>	l <sub>1</sub>	l <sub>2</sub> ~	l <sub>3</sub>	w <sub>1</sub>	Weight g
				tol. H7 <sup>2</sup> Small	tol. H7 <sup>2</sup> Large							
<b>77300.W0614</b>	With Keyway, With Handle	d <sub>2</sub> Small	140	14	16	36	M 8	19	36	16.5	23	490
<b>77300.W0615</b>	With Keyway, With Handle	d <sub>2</sub> Large	140	14	16	36	M 8	19	36	16.5	23	490
<b>77300.W0616</b>	With Keyway, With Handle	d <sub>2</sub> Small	160	14	16	36	M10	20	39	18.0	26	645
<b>77300.W0617</b>	With Keyway, With Handle	d <sub>2</sub> Large	160	14	16	36	M10	20	39	18.0	26	645
<b>77300.W0620</b>	With Keyway, With Handle	d <sub>2</sub> Small	200	18	20	42	M10	24	45	20.5	26	1000
<b>77300.W0621</b>	With Keyway, With Handle	d <sub>2</sub> Large	200	18	20	42	M10	24	45	20.5	26	1000
<b>77300.W0625</b>	With Keyway, With Handle	d <sub>2</sub> Small	250	22	26	48	M10	28	51	23.0	28	1585
<b>77300.W0626</b>	With Keyway, With Handle	d <sub>2</sub> Large	250	22	26	48	M10	28	51	23.0	28	1585

HANDWHEELS



# Keyway Dimensions to DIN 6885

## Knobs, Handles & Handwheels



$d_2$	$b_{P9/JS9}$ hole	$b_{P9/N9}$ shaft	$h$	$t_1 = d_2 + t_2$	$t_2$	$t_3 = d_2 - t_4$	$t_4$
7	2	2	2	8	1+0,1	5,8	1,2+0,1
8	2	2	2	9	1	6,8	1,2
9	3	3	3	10,4	1,4	7,2	1,8
10	3	3	3	11,4	1,4	8,2	1,8
11	4	4	4	12,8	1,8	8,5	2,5
12	4	4	4	13,8	1,8	9,5	2,5
13	5	5	5	15,3	2,3	10	3
14	5	5	5	16,3	2,3	11	3
15	5	5	5	17,3	2,3	12	3
16	5	5	5	18,3	2,3	13	3
17	5	5	5	19,3	2,3	14	3
18	6	6	6	20,8	2,8	14,5	3,5
20	6	6	6	22,8	2,8	16,5	3,5
22	6	6	6	24,8	2,8	18,5	3,5
24	8	8	7	27,3	3,3+0,2	20	4+0,2
25	8	8	7	28,3	3,3	21	4
26	8	8	7	29,3	3,3	22	4
28	8	8	7	31,3	3,3	24	4
30	8	8	7	33,3	3,3	26	4
32	10	10	8	35,3	3,3	27	5
34	10	10	8	37,3	3,3	29	5
35	10	10	8	38,3	3,3	30	5
36	10	10	8	39,3	3,3	31	5
38	10	10	8	41,3	3,3	33	5
40	12	12	8	43,3	3,3	35	5
42	12	12	8	45,3	3,3	37	5
44	12	12	8	47,3	3,3	39	5

HANDWHEELS

ov-W77100-A-T-W77400-AL1458-T-keyway-dimensions-din-6885-rmh-Updated -27-10-2022